



Illustrated Parts Manual

***Model
R6***

**P/N
3121686**

May 22, 2019 - Rev R

AS/NZS



REVISION LOG

NOTES:

NOTE: Country of Assembly - The R Scissors Lifts are assembled by JLG Industries in the following countries: Mexico or China. Refer to the Serial Number Tag to identify the country of assembly. R Scissors assembled in the Mexico will have a serial number prefix of M2 (i.e. M2XXXXXXXX) and R Scissors manufactured in the China will have a serial number prefix of B2 (i.e. B2XXXXXXXX).

REVISION LOG:

October 1, 2014 - A - Original Issue Of Manual (Edit to B/M 1001130044 Revision V)
February 1, 2015 - B - Revised Manual (Edited to B/M 1001130044 Revision Y)
May 1, 2015 - C - Revised Manual (Edited to B/M 1001130044 Revision AA)
August 31, 2015 - D - Revised Manual (Edited to B/M 1001130044 Revision AF)
November 6, 2015 - E - Revised Manual (Edited to B/M 1001130044 Revision AF)
February 5, 2016 - F - Revised Manual (Edited to B/M 1001130044 Revision AF)
May 20, 2016 - G - Revised Manual (Edited to B/M 1001130044 Revision AN)
August 31, 2016 - H - Revised Manual (Edited to B/M 1001130044 Revision AQ)
November 21, 2016 - I - Revised Manual (Edited to B/M 1001130044 Revision AS)
February 10, 2017 - J - Revised Manual (Edited to B/M 1001130044 Revision AW)
May 31, 2017 - K - Revised Manual (Edited to B/M 1001130044 Revision AX)
August 3, 2017 - L - Revised Manual (Edited to B/M 1001130044 Revision AY)
November 30, 2017 - M - Revised Manual (Edited to B/M 1001130044 Revision AY)
February 3, 2018 - N - Revised Manual (Edited to B/M 1001130044 Revision BB)
May 15, 2018 - O - Revised Manual (Edited to B/M 1001130044 Revision BC)
August 1, 2018 - P - Revised Manual (Edited to B/M 1001130044 Revision BC)
November 8, 2018 - Q - Revised Manual (Edited to B/M 1001130044 Revision BD)
May 22, 2019 - R - Revised Manual (Edited to B/M 1001130044 Revision BE)

GENERAL INFORMATION

SECTION 6 CYLINDER

FIGURE 6-3. LIFT CYLINDER ASSEMBLY

PG# Model Designation Manual #

SECTION 6 CYLINDER

FIGURE 6-3. LIFT CYLINDER ASSEMBLY

ITEM #	PART NUMBER	QTY.	DESCRIPTION	REV.
	1001140104	Ref	LIFT CYLINDER ASSEMBLY	B
1	0100011	AR	Compound, Locking	
2	0630535	3	Capscrew 1/4-20 x 1-1/8	
3	0791003	1	Screw #10-24 x 3/8	
4	0961897	1	Bushing, Tapered	
5	1320136	1	Clamp, Cable	
6	1683063	1	Head	
7	2220883	1	Plug, O-Ring	
8	2220885	2	Plug, O-Ring	
9	2220886	1	Plug, O-Ring	
10	3020039	AR	Lubricant	
11	3480282	1	Piston	
12	3760371	1	Ring, Washer	
13	3931420	8	Capscrew 1/4-20 x 1-1/4	
14	3931824	8	Capscrew 1/2-13 x 1-1/2	
15	3951003	1	Set screw #10-24 x 3/8	
16	4100099	1	Spacer	
17	4640999	1	Cartridge, Holding Valve (Non Vented)	
17	2900792		Kit, Seal - 4640999 Cartridge Valve	
18	4641248	1	Cartridge, Counterbalance Valve (Non Vented)	
18	70004186		Kit, Seal - 4641248 Cartridge Valve	
19	1001117991	1	Sensor, Cylinder Length	
20	1001118070	1	Cap, Retainer	
21	1001118084	1	Barrel	
21A	0961950	2	Bushing	
22	1001118086	1	Rod	
22A	0961950	2	Bushing	
100	1001139996	1	Kit, Seal (Includes Items 101-109)	
101	See Note	2	Ring, Wear (Note: Use p/n 1001139996)	
102	See Note	1	Ring, Back-Up (Note: Use p/n 1001139996)	
103	See Note	2	Ring, Lock (Note: Use p/n 1001139996)	
104	See Note	2	Ring, Back-Up (Note: Use p/n 1001139996)	
105	See Note	2	O-Ring (Note: Use p/n 1001139996)	
106	See Note	1	O-Ring (Note: Use p/n 1001139996)	
107	See Note	1	Seal (Note: Use p/n 1001139996)	
108	See Note	1	Wiper, Rod (Note: Use p/n 1001139996)	
109	See Note	2	Seal (Note: Use p/n 1001139996)	
200	1001119105	1	Kit, Sensor Magnet (Includes Items 201-203)	
201	See Note		Sleeve, Spacer (Note: Use p/n 1001119105)	
202	1001118066	1	Magnet, Sensor	
203	1001118069	1	Spring, Internal Retaining	

Manual # Model Designation PG#

1) MACHINE IDENTIFICATION

Machines are identified by model and in some cases a combination of models, serial number (SN) or regional standard (i.e. ANSI, CE, CSA). Components may also be identified by SN or manufacturer. Common components that may be identified by these characteristics are engines and hydraulic components.

2) PARTS MANUAL ORGANIZATION

Product information in this manual is organized under section titles. Frame, Cylinder, Hydraulic and Electrical are a few examples. Each section is organized by figure and page number. The information within the figure is then organized by item number, part number, description and corresponding illustration(s).

3) TABLE OF CONTENTS

A table of contents is found toward the beginning of the manual. Figure number, description and page number are provided for quick reference to the page containing the related information.

4) RECOMMENDED SPARE PARTS

The Recommended Spare Parts, located near the end of the manual, reference most frequently used maintenance parts.

5) PART NUMBER INDEX

A numerical index listing all part numbers and the corresponding page number(s) appears at the back of the manual.

GENERAL INFORMATION

6) NON-SERVICED PARTS

In some instances, it is necessary to display non-serviced parts, assemblies or installations. In the case of assemblies and installations there will be a Ref in the Qty column. In case of parts that are not available for service within assemblies or components, there will be a NSS (Not Sold Separately) or NLA (No Longer Available) listed in the Qty. column of the manual.

7) PARTS LIST ITEM NUMBERS

Numbers shown in the item# column correspond to numbers used in the associated illustration (s). Item numbers which are missing from the sequence in the parts list are not used on that page

8) INDENTED PARTS DESCRIPTION

An indented part description is included in the item under which it is indented.

9) ABBREVIATION AND SYMBOLS

AC.....	.. Alternating Current	LCD.....	Liquid Crystal Display
ADE.....	Advanced Design Electronics	LED.....	Light Emitting Diodes
ANSI.....	..American National Standards Institute	LH.....	Left Hand
AR.....	..As Required	LSS.....	Load Sensing System
ASSY.....	Assembly	M(m).....	Metric/Meter
AUX.....	Auxiliary	MM (mm).....	Milimeter
AWG.....	..American Wire Gauge	mA.....	Miliamps
B/M.....	Bill of Material	NLA.....	No Longer Available
CE.....	..European Conformity	NPT.....	National Pipe Threads
CCW.....	..Counter Clockwise	NSS.....	Not Sold Separately
cm.....	Centimeter	OD.....	..Outside Diameter
CW.....	..Clockwise	ORB.....	O-Ring Boss
CSA.....	..Canadian Standard Association	ORFS.....	O-Ring Face Seal
CYL.....	Cylinder	OZ (oz).....	..Ounces
DIA.....	Diameter	PG.....	..Page
DC.....	Direct Current	P/N.....	..Part Number
EMS.....	Emergency Stop	qt.....	..Quarts
ENG.....	Engine	QTY.....	..Quantity
FT (ft).....	Feet	REF.....	..Reference
GA (Ga).....	Gauge	REV.....	..Revision Level
HYD.....	Hydraulic	RH.....	..Right Hand
Hz.....	Hertz	SAE.....	..Society of Automotive Engineers
ID.....	Inside Diameter	SN.....	..Serial Number
in.....	inches	SPEC(S).....	..Specifications
ISO.....	International Organization for Standards	T/T.....	..Turntable
JIC.....	Joint Industry Council	UGM.....	..Universal Ground Module
KG.....	..Kilogram	V.....	..Volts
L.....	Liter	W.....	..Watts
LB.....	Pounds	#.....	..Number

10) ILLUSTRATION REFERENCE LETTERS

When necessary, illustrations may contain reference letters that are intended to track information (i. e. hoses, harness) from one point to another or to track visual enlargement of components to show details that may be located in another area on the illustration.

Note: Due to continuous product improvements, JLG Industries, Inc. reserves the right to make specification changes without prior notification. Contact JLG Industries, Inc. for updated information.

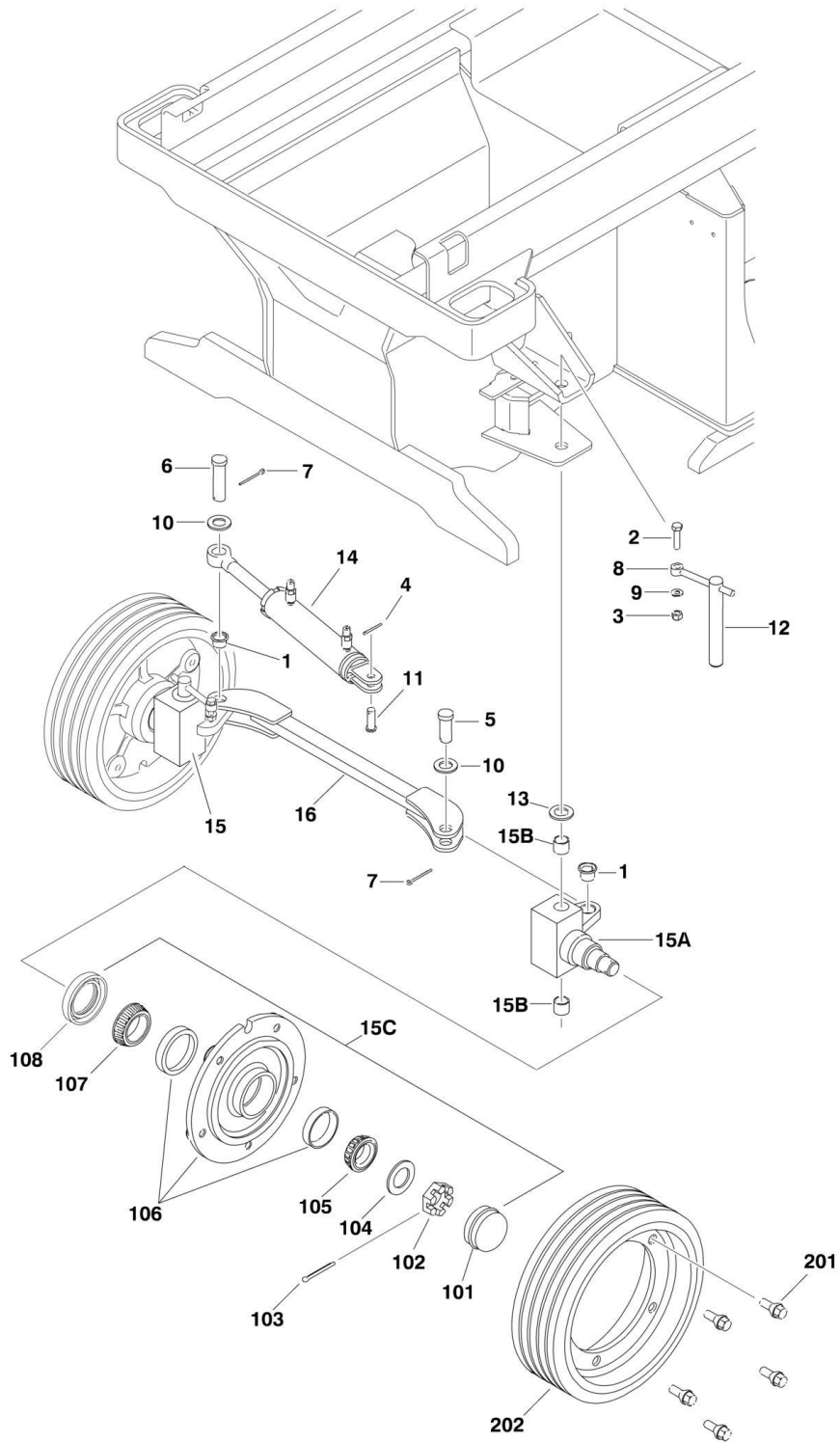
TABLE OF CONTENTS

SECTION 1 - FRAME.....	9
FIGURE 1-1. FRONT AXLE COMPONENTS	10
FIGURE 1-2. DRIVE AND ELECTRICAL COMPONENTS (FRAME MOUNTED)	12
FIGURE 1-3. WHEEL DRIVE ASSEMBLY	16
FIGURE 1-4. COVERS (FRAME MOUNTED) AND LADDER INSTALLATIONS	20
FIGURE 1-5. POT HOLE PROTECTION INSTALLATION	22
FIGURE 1-6. VOLTAGE GUARD ASSEMBLY AND INSTALLATION (CHINESE SPEC)	24
FIGURE 1-7. VOLTAGE GUARD ASSEMBLY AND INSTALLATION (ANSI EXPORT SPEC) (SN B200029281 to Present)	26
FIGURE 1-8. LOW HEIGHT DRIVE CUTOUT INSTALLATION	28
SECTION 2 - GROUND COMPONENTS.....	31
FIGURE 2-1. BATTERIES AND COVERS INSTALLATION	32
FIGURE 2-2. PUMP/MOTOR AND TILT SENSOR INSTALLATION	34
FIGURE 2-3. PUMP/MOTOR/TANK ASSEMBLY.....	36
FIGURE 2-4. GROUND CONTROL ASSEMBLY AND INSTALLATION	38
SECTION 3 - SCISSOR ARMS.....	41
FIGURE 3-1. SCISSORS ARMS INSTALLATION.....	42
SECTION 4 - PLATFORM.....	47
FIGURE 4-1. PLATFORM AND EXTENSION DECK INSTALLATION	48
FIGURE 4-2. RAIL (FIXED) INSTALLATION	50
FIGURE 4-3. RAIL (FIXED) INSTALLATION WITH HANDLES.....	52
FIGURE 4-4. RAIL (FOLD-DOWN) INSTALLATION	54
FIGURE 4-5. RAIL (FOLD-DOWN) INSTALLATION WITH HANDLES	56
FIGURE 4-6. PLATFORM CONSOLE BOX ASSEMBLY	58
FIGURE 4-7. DRIVE/STEER CONTROLLER ASSEMBLY	62
FIGURE 4-8. PIPE RACK INSTALLATION (AUSTRALIAN SPECS).....	64
SECTION 5 - CYLINDER.....	67
FIGURE 5-1. LIFT CYLINDER ASSEMBLY	68
FIGURE 5-2. STEER CYLINDER ASSEMBLY.....	72
SECTION 6 - HYDRAULIC	75
FIGURE 6-1. HYDRAULIC COMPONENTS.....	76
SECTION 7 - ELECTRICAL	79
FIGURE 7-1. ELECTRICAL DIAGRAM LIST.....	80
FIGURE 7-2. ELECTRICAL COMPONENTS INSTALLATION	82
SECTION 8 - DECALS.....	91
FIGURE 8-1. DECAL INSTALLATION (ANSI SPEC)	92
FIGURE 8-2. DECAL INSTALLATION (ANSI EXPORT SPEC).....	94
FIGURE 8-3. DECAL INSTALLATION (CE AND AUSTRALIAN SPEC).....	98
SECTION 9 - RECOMMENDED SERVICE PARTS STOCK	101
FIGURE 9-1. RECOMMENDED SERVICE PARTS STOCK	102
SECTION 10 - SPECIAL OPTIONS.....	103
FIGURE 10-1. SPECIAL OPTIONS.....	104
PART NUMBER INDEX	105

SECTION 1 - FRAME

SECTION 1 - FRAME

FIGURE 1-1. FRONT AXLE COMPONENTS



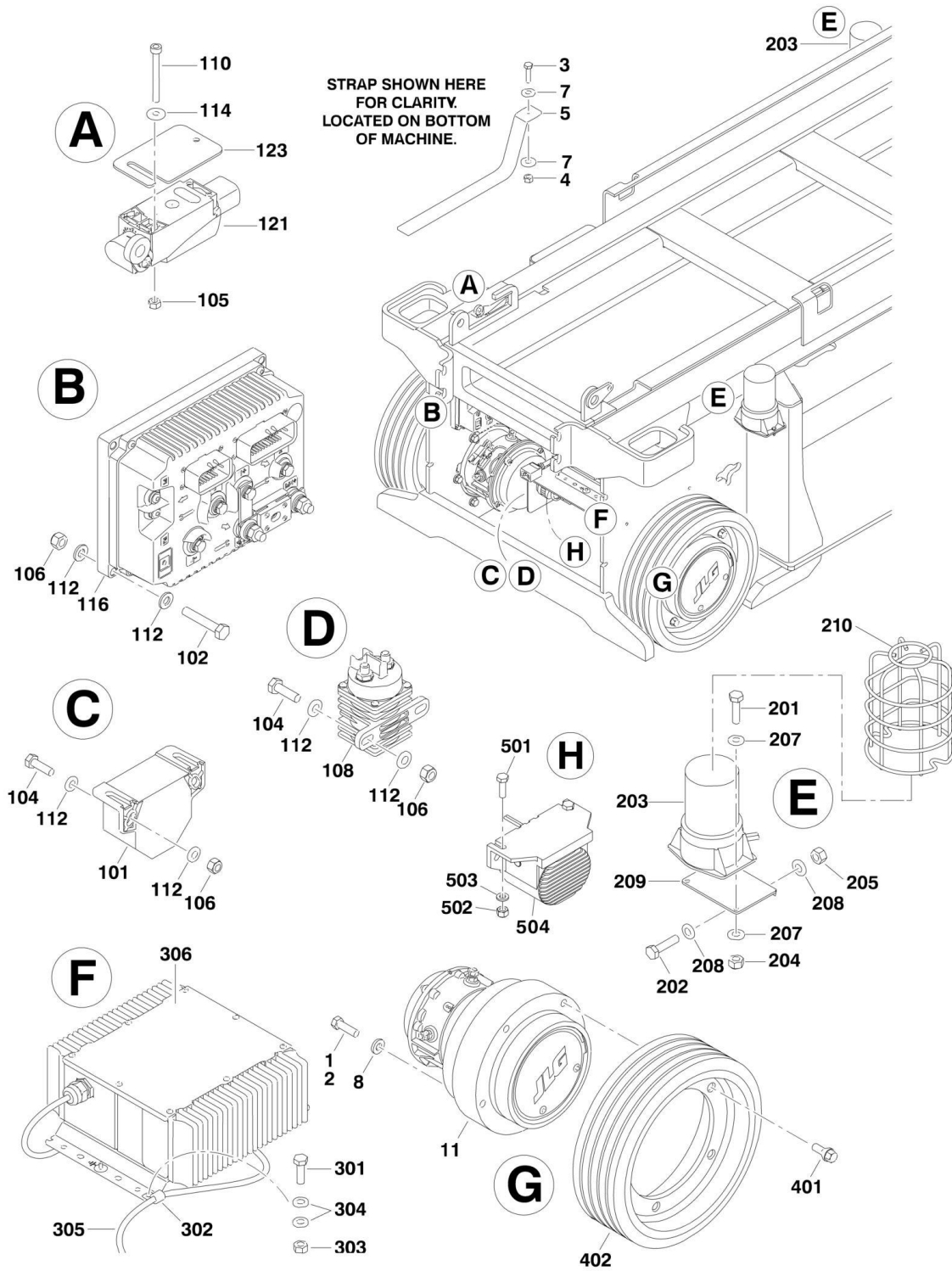
SECTION 1 - FRAME

FIGURE 1-1. FRONT AXLE COMPONENTS

ITEM	PART NUMBER	QTY	DESCRIPTION	REV
	1001133101	Ref	STEERING INSTALLATION	E
1	0440263	2	Bearing, Flanged	
2	0760815	2	Bolt M8 x 35	
3	3290805	2	Nut M8	
4	3391210	1	Pin, Cotter	
5	3431214	1	Pin, Clevis	
6	3431222	1	Pin, Clevis	
7	3450606	2	Pin, Cotter	
8	3841147	2	Keeper, Pin	
9	4811900	2	Washer M8	
10	4812500	4	Washer M20	
11	1001129754	1	Pin, Clevis	
12	1001130160	2	Kingpin	
13	4740217	2	Bearing, Thrust	
14	1001132702	1	Steer Cylinder Assembly (See CYLINDER SECTION for Breakdown)	
15	1001133086	2	Spindle Assembly	B
15A	1001133085	2	Spindle (1 per Assembly)	
15B	1001129368	4	Bearing (2 per Assembly)	
15C	2780266	2	Hub Assembly (1 Per Assembly (See Items 101-108 for Breakdown)	
16	1001133115	1	Tie-Rod	
	2780266	Ref	HUB ASSEMBLY	E
		Ref	Note: Qty's shown for 1 Assembly. Two Assemblies required per machine.	
101	1001102354	1	Cap, Dust (was p/n 7012524)	
102	3300423	1	Nut, Slotted (was p/n 7010641)	
103	3450406	1	Pin, Cotter 2 x 3/16 (was p/n 7010642)	
104	4740468	1	Washer (was p/n 7019697)	
105	1001102351	1	Bearing, Cone - Outer (was p/n 7026185)	
106	2780266	1	Hub (Includes Bearing Cups)	
107	1001102353	1	Bearing, Cone - Inner (was p/n 7026183)	
108	1001102349	1	Seal (was p/n 7026184)	
	1001133066	Ref	TIRE AND WHEEL INSTALLATION	B
		Ref	Note: Must replace Tire and Wheel Assemblies in pairs per axle.	
201	0630580	20	Bolt, Wheel	
202	1001133065	4	Tire and Wheel Assembly	

SECTION 1 - FRAME

FIGURE 1-2. DRIVE AND ELECTRICAL COMPONENTS (FRAME MOUNTED)



SECTION 1 - FRAME

FIGURE 1-2. DRIVE AND ELECTRICAL COMPONENTS (FRAME MOUNTED)

ITEM	PART NUMBER	QTY	DESCRIPTION	REV
	1001133269	Ref	DRIVE MOTOR AND ANTI-STATIC STRAP INSTALLATION	G
1	0100011	AR	Compound, Locking	
2	0641609	12	Bolt 3/8-16 x 1-1/8	
3	0760612	1	Bolt M6 x 25	
4	3290605	1	Nut M6	
5	4240147	1	Strap, Anti-Static	
7	4751400	2	Washer 1/4	
8	4891600	12	Washer 3/8	
11	1001131628	2	Drive Motor Assembly (See WHEEL DRIVE ASSEMBLY for Breakdown)	
	1001147255	Ref	ELECTRICAL COMPONENTS WITH LSS	B
	1001197295	Ref	ELECTRICAL COMPONENTS WITHOUT LSS	A
101	0140043	1	Alarm	
102	0700615	4	Bolt M6 x 35	
104	0760610	4	Bolt M6 x 20	
105	3290405	2	Nut M4	
106	3290605	8	Nut M6	
108	3740150	1	Relay	
110	4031512	2	Capscrew M4 x 40	
112	4811700	16	Washer M6	
114	1001091102	2	Washer M4	
116	1001129845	1	Module, Drive	
121	1001130614	1	Switch, Limit	
123	1001143914	AR	Shim	
	1001133274	Ref	BEACON LIGHT INSTALLATION - WITHOUT GUARD (OPTIONAL)	C
	1001180962	Ref	BEACON LIGHT INSTALLATION - WITH GUARD (OPTIONAL)	A
	1001198545	Ref	BEACON LIGHT INSTALLATION - WITHOUT GUARD (OPTIONAL) (AUSTRALIAN SPEC ONLY)	A
	See Note	Ref	Note: Australian Spec machines require a single beacon light, qty shown are for dual beacon lights.	
201	0760408	4	Bolt M4 x 16	
202	0760612	4	Bolt M6 x 25	
203	2920161	2	Beacon Light Assembly	
203	7016319	2	Replacement Bulb (1 Per Assembly)	
203	7016372	2	Replacement Len (1 Per Assembly)	
203	4460891	2	Plug, Male - 2 Position (1 Per Assembly)	
203	4460465	4	Socket, Female (2 Per Assembly)	
204	3290405	4	Nut M4	
205	3290605	4	Nut M6	
206	4240099	AR	Tie-Strap (Not Shown)	
207	4811400	8	Washer M4	
208	4811700	8	Washer M6	
209	1001134183	2	Bracket (Beacon without Guard)	
209	1001187891	2	Bracket (Beacon with Guard)	
210	1001184389	1	Guard	
	1001131963	Ref	BATTERY CHARGER INSTALLATION WITH NO PLUG	D
	1001130029	Ref	BATTERY CHARGER INSTALLATION WITH 110V PLUG (ANSI EXPORT & JAPANESE SPEC)	D
	1001202984	Ref	BATTERY CHARGER INSTALLATION WITH 110V PLUG (JAPANESE NIKEN SPEC)	A

SECTION 1 - FRAME

ITEM	PART NUMBER	QTY	DESCRIPTION	REV
	1001172009	Ref	BATTERY CHARGER INSTALLATION WITH 420V PLUG (CHINESE SPEC)	B
301	0760610	AR	Bolt M6 x 20	
302	1321293	1	Clamp	
303	3290605	AR	Nut M6	
304	4811700	AR	Washer M6	
305	1001103258	1	Cable with No Plug (Note: See ELECTRICAL SECTION for Plug Options)	
305	1001172010	1	Cable with 420V Plug (Chinese Spec)	
305	1001202982	1	Cable with 110V Plug (Japanese Spec)	
306	1001129847	1	Battery Charger Assembly (See ELECTRICAL SECTION for Breakdown)	
	1001133066	Ref	TIRE AND WHEEL INSTALLATION	B
		Ref	Note: Must replace Tire and Wheel Assemblies in pairs per axle.	
401	0630580	20	Bolt, Wheel (5 Per Wheel)	
402	1001133065	4	Tire and Wheel Assembly	
	1001183228	Ref	ALARM (AMBIENT ADJ MOTION) INSTALLATION	A
501	0760610	2	Bolt M6 x 20	
502	3290605	2	Nut M6	
503	4811700	2	Washer M6	
504	1001182806	1	Alarm, Motion	

FIGURE 1-3. WHEEL DRIVE ASSEMBLY

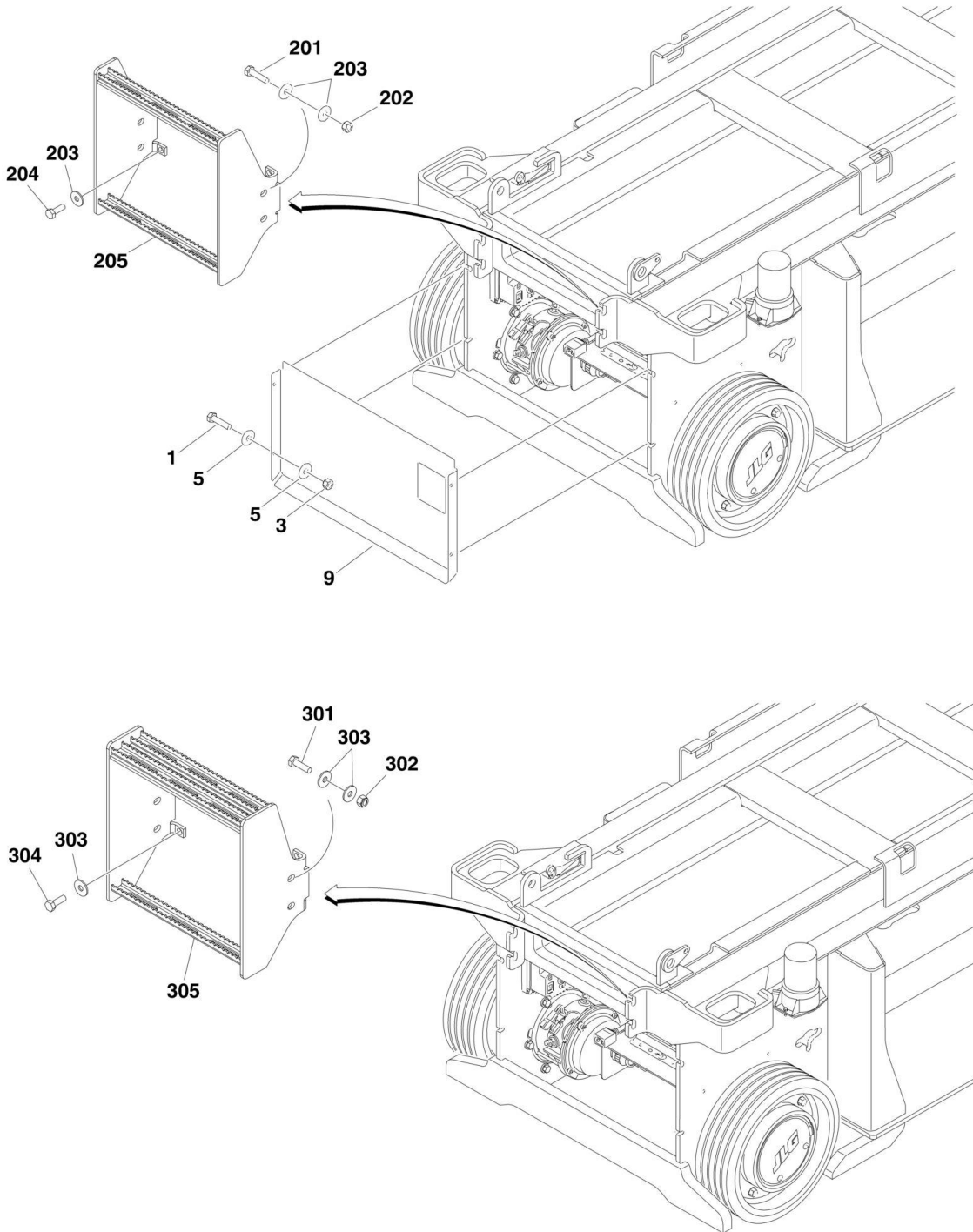
ITEM	PART NUMBER	QTY	DESCRIPTION	REV
	1001131628	Ref	Wheel Drive Assembly	C
1	See Note	1	Spindle (Note: Replace Complete Wheel Drive Assembly)	
2	See Note	1	Hub (Note: Use Item 305)	
3	See Note	1	Gear, Ring (Note: Use Item 304)	
4	See Note	1	Gear, Sun (Note: Use Item 303)	
5	See Note	3	Gear, Planet (Note: Use Item 303)	
6	See Note	3	Shaft, Planet (Note: Use Item 303)	
7	See Note	1	Carrier, Input (Note: Use Item 303)	
8	See Note	1	Gear, Output Sun (Note: Use Item 303)	
9	See Note	3	Gear, Planet (Note: Use Item 306)	
10	See Note	3	Shaft, Output Planet (Note: Use Item 306)	
11	See Note	1	Cover (Note: Use Item 301)	
13	See Note	1	Motor Assembly (See Items 101 -109 for Breakdown) (Note: Use Item 310 for Complete Replacement)	
14	See Note	2	Bearing, Main (Note: Use Item 302, 304, 305 or 306)	
15	See Note	1	Bearing, Ball (Note: Use Item 306)	
16	See Note	1	Seal, Lip (Note: Use Item 302 or 305)	
17	7024786	1	Seal, Shaft	
18	See Note	3	Ring, Retaining (Note: Use Item 303)	
19	See Note	1	Ring, Retaining (Note: Use Item 301)	
20	70000191	1	O-Ring	
21	See Note	1	Washer, Thrust (Note: Use Item 301)	
23	See Note	1	Plate, Thrust (Note: Use Item 303)	
24	See Note	1	Ring, Retaining (Note: Use Item 303)	
25	See Note	9	Thrustwasher (Note: Use Item 303 or 306)	
26	See Note	6	Bushing (Note: Use Item 303 or 306)	
27	See Note	1	Ring, Retaining (Note: Use Items 304 or 305 or 306)	
28	See Note	1	Ring, Retaining (Note: Use Item 306)	
29	See Note	2	Plug, Oil Drain (Note: Use Item 301 or 302)	
32	See Note	3	Washer, Tanged (Note: Use Item 306)	
		Ref	Motor and Brake Components	
101	See Note	1	Case, Motor (Note: Use Item 310)	
102	See Note	1	Windings and Harness (Note: Use Item 310)	
103	See Note	1	Armature (Note: Use Item 310)	
104	See Note	1	Brush & Terminal Assembly (Note: Use Item 308)	
105	70000790	2	Spring, Brush	
106	70000791	1	Box, Brush	
107	See Note	1	Ring, Retaining (Note: Use Item 308)	
108	See Note	1	Bearing (Note: Use Item 308)	
109	70000792	1	Commutator	
110	See Note	1	Brake Assembly (Includes Brake, Reaction Disc & Friction Disc) (Note: Use Item 307)	
110A	7024785	1	Disc, Friction	
111	See Note	1	Gasket, Brake Cover (Note: Use Item 307 or 311)	
112	See Note	1	Cover, Brake (Note: Use Item 311)	
		Ref	Hardware Components	
201	See Note	2	Bolt, Cover (M5 x 20mm) (Note: Not Available from JLG. Purchase Locally)	
207	See Note	2	Bolt, Motor (Note: Use Item 309)	
208	See Note	2	Lockwasher (Note: Use Item 309)	

SECTION 1 - FRAME

ITEM	PART NUMBER	QTY	DESCRIPTION	REV
211	See Note	1	Bolt, Brake (Note: Use Item 307)	
		Ref	Kit Options	
301	7024747	1	Gear Box Cover Kit (Includes 11, 19, 20, 21 & 29)	
302	7024748	1	Gearbox Main Seal Kit (Includes Qty 1 of Items 14, 16 & 20)	
303	7024749	1	Input Carrier Kit (Includes Items 4-8, 18, 20 & 23-26)	
304	7024758	1	Input Ring Kit (Includes Qty 1 of Items 3, 14, 20 & 27)	
305	7024756	1	Gearbox Hub Kit (Include Items 2, 14, 16, 20 & 27)	
306	7024750	1	Gearbox Output Planet Kit (Includes Items 9, 10, 14, 15, 20, 25-28 & 32)	
307	70003678	1	Brake Kit (Includes Item 110, 111 & 211)	
308	7024771	1	Motor Brush and Bearing Kit (Includes Items 104, 107 & 108)	
309	70003681	1	Motor Mounting Kit (Include Items 107 & 108)	
310	70003682	1	Motor Kit (Include Items 13 & 17)	
311	70001265	1	Cover Kit (Includes Items 111 & 112)	

SECTION 1 - FRAME

FIGURE 1-4. COVERS (FRAME MOUNTED) AND LADDER INSTALLATIONS



SECTION 1 - FRAME

FIGURE 1-4. COVERS (FRAME MOUNTED) AND LADDER INSTALLATIONS

ITEM	PART NUMBER	QTY	DESCRIPTION	REV
	1001181290	Ref	FRAME COVERS INSTALLATION (STANDARD)	B
	1001195570	Ref	FRAME COVERS INSTALLATION (HEAVY DUTY)	B
	1001202983	Ref	FRAME COVERS INSTALLATION (HEAVY DUTY) (NIKEN SPEC)	B
1	0760612	4	Bolt M6 x 25	
3	3290605	4	Nut M6	
5	4811702	8	Washer M6	
9	1001133143	1	Cover, Rear (Prior to SN B200026060)	
9	1001197939	1	Cover, Rear (SN B200026060 to Present)	
9	1001197453	1	Cover, Rear (Niken Spec)	
	1001135050	Ref	LADDER INSTALLATION (ALL SPECS EXCEPT CHINESE SPECS)	D
	1001145913	Ref	LADDER INSTALLATION (CHINESE SPECS)	C
201	0761015	4	Bolt M10 x 35	
202	3291005	4	Nut M10	
203	4812002	AR	Washer M10	
204	0761014	4	Bolt M10 x 30 (SN B200031001 to Present)	
205	1001134517	1	Ladder	
	1001213758	Ref	LADDER INSTALLATION (JAPANESE SPECS)	A
301	0761015	4	Bolt M10 x 35	
302	3291005	4	Nut M10	
303	4812002	12	Washer M10	
304	0761014	4	Bolt M10 x 30 (SN B200031001 to Present)	
305	1001213721	1	Ladder	

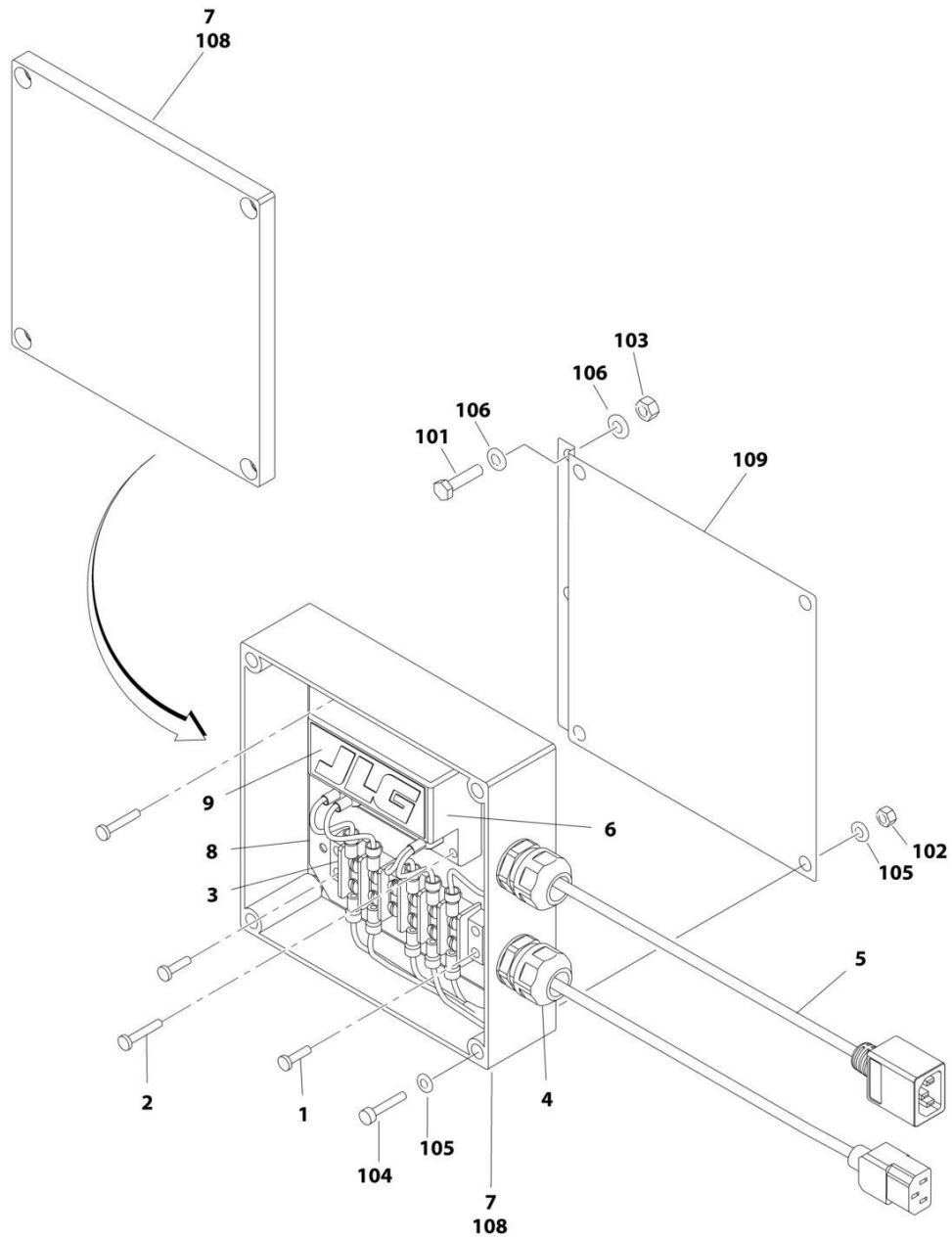
SECTION 1 - FRAME

FIGURE 1-5. POTHOLE PROTECTION INSTALLATION

ITEM	PART NUMBER	QTY	DESCRIPTION	REV
	1001181535	Ref	POTHOLE PROTECTION INSTALLATION	B
1	0060090	NLA	Actuator Assembly (Note: Complete Assembly Not Available - Purchase Individual Pieces)	F
1A	0060091	1	Actuator	
1B	3760115	1	Ring, Retaining	
1C	4160202	1	Spring	
1D	4220287	1	Pad	
2	0440263	4	Bearing, Flange	
3	0760612	4	Bolt M6 x 25	
4	3010158	2	Link	
5	3290405	4	Nut M4	
6	3290605	4	Nut M6	
7	3291005	6	Nut M10	
8	3423045	4	Pin	
9	3423267	2	Pin	
10	3431220	4	Pin, Clevis	
11	3450505	4	Pin, Cotter	
12	3574176	2	Plate ,Link	
12	0440263	8	Bearing, Flange (4 per link)	
13	3760348	12	Ring, Retaining	
14	4031512	4	Capscrew M4 X 40	
15	4740086	4	Washer, Thrust	
16	4811700	4	Washer M6	
17	4812000	8	Washer M10	
18	4812500	8	Washer M20	
19	0761016	6	Bolt M10 X 40	
20	1001109088	2	Switch, Limit	
21	1001109232	1	Plate, Mounting (LH)	
22	1001109233	1	Plate, Mounting (RH)	
23	1001181453	1	Bar, Pothole Support (RH)	
24	1001181454	1	Bar, Pothole Support (LH)	
25	1001181744	2	Bracket, Mounting	
26	1001181745	2	Spacer	

SECTION 1 - FRAME

FIGURE 1-6. VOLTAGE GUARD ASSEMBLY AND INSTALLATION (CHINESE SPEC)



ART_1001201491
ART_1001185306

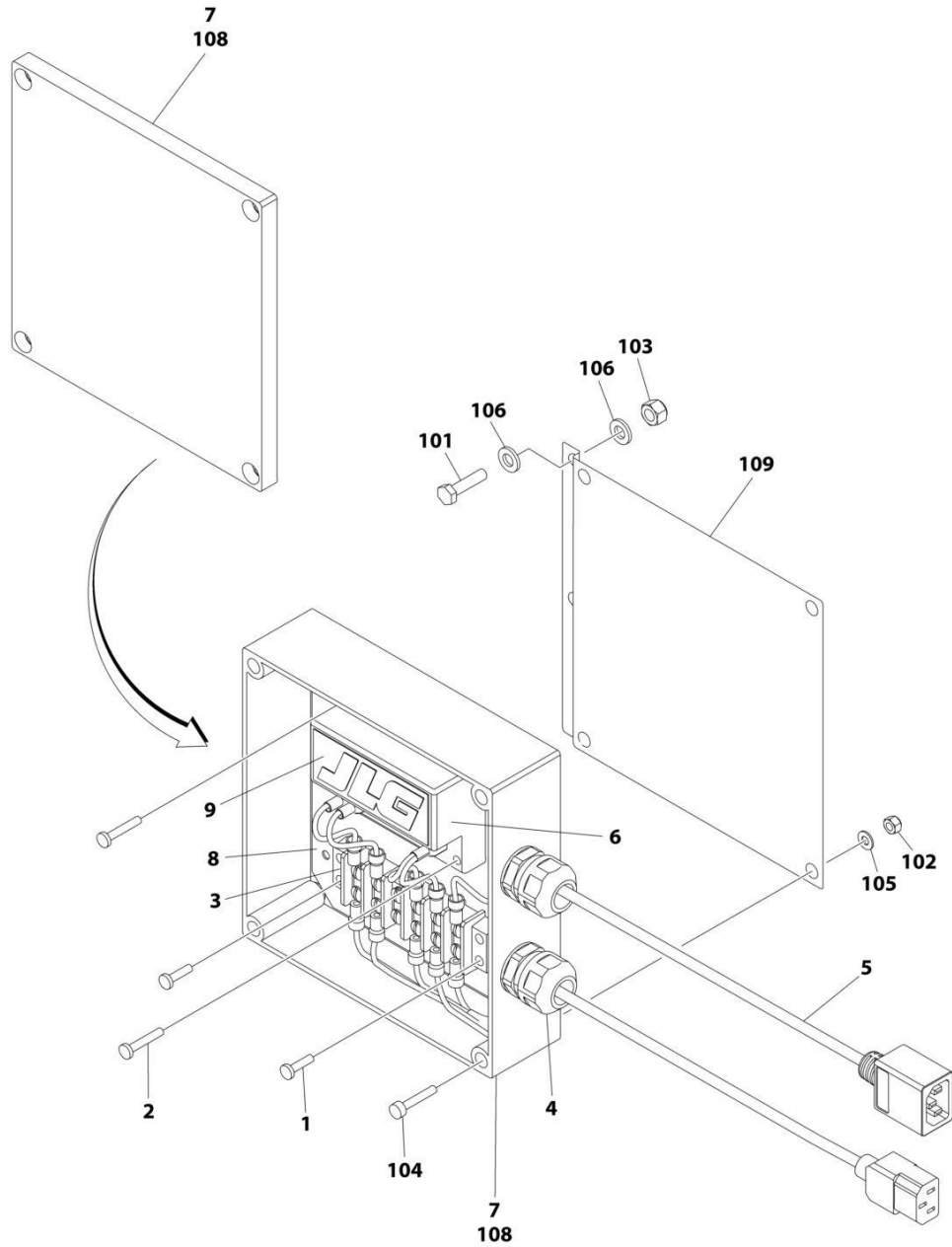
SECTION 1 - FRAME

FIGURE 1-6. VOLTAGE GUARD ASSEMBLY AND INSTALLATION (CHINESE SPEC)

ITEM	PART NUMBER	QTY	DESCRIPTION	REV
	1001185306	Ref	VOLTAGE GUARD ASSEMBLY (CHINESE SPEC)	B
1	4010408	2	Screw M4 X 16	
2	4010412	2	Screw M4 X 24	
3	4460007	1	Buss Bar	
4	4460968	2	Connector, Strain Relief	
5	1001184947	1	Harness, OVP Cable Kit	
6	1001185156	1	Module, Voltage Guard	
7	1001186497	1	Box	
8	1001187101	1	Plate	
9	1001187530	1	Decal - JLG	
	1001201491	Ref	VOLTAGE GUARD INSTALLATION (CHINESE SPEC)	B
101	0760613	2	Bolt M6 x 28	
102	3290405	4	Nut M4	
103	3290605	2	Nut M6	
104	4031510	4	Capscrew M4 x 30	
105	4811400	4	Washer M4	
106	4811700	4	Washer M6	
107	1001172009	1	Battery Charger Installation (Not Shown - See DRIVE AND ELECTRICAL COMPONENTS for Breakdown)	
108	1001185306	1	Voltage Guard Assembly (See Items 1-9 for Breakdown)	
109	1001201492	1	Bracket	
110	1001215326	1	Support (Not Shown) (SN B200030066 to Present)	
111	4240017	2	Tie-Strap (Not Shown) (SN B200030066 to Present)	

SECTION 1 - FRAME

FIGURE 1-7. VOLTAGE GUARD ASSEMBLY AND INSTALLATION (ANSI EXPORT SPEC) (SN B200029281 to Present)



ART_1001212457
ART_1001185306

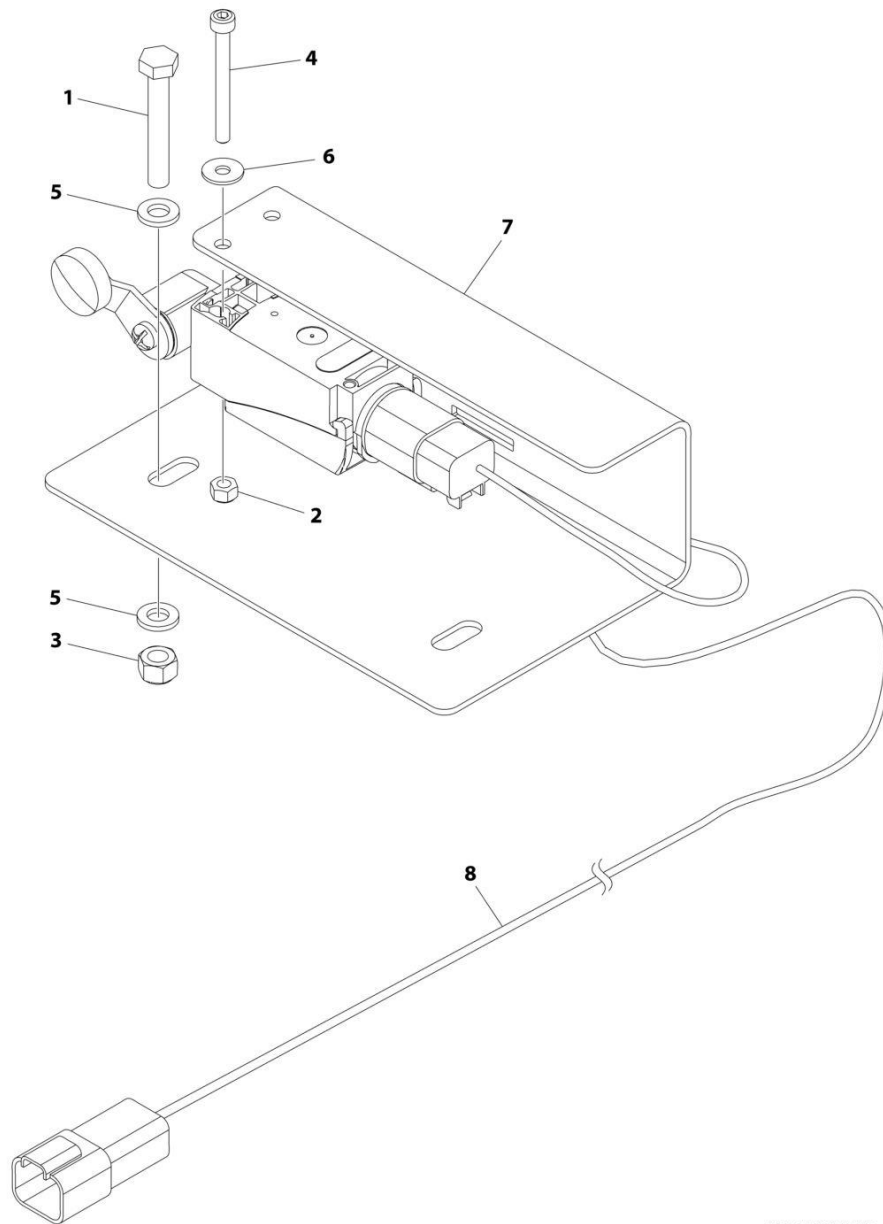
SECTION 1 - FRAME

FIGURE 1-7. VOLTAGE GUARD ASSEMBLY AND INSTALLATION (ANSI EXPORT SPEC) (SN B200029281 to Present)

ITEM	PART NUMBER	QTY	DESCRIPTION	REV
	1001185306	Ref	VOLTAGE GUARD ASSEMBLY (ANSI EXPORT SPEC)	B
1	4010408	2	Screw M4 x 16	
2	4010412	2	Screw M4 x 24	
3	4460007	1	Buss Bar	
4	4460968	2	Connector, Strain Relief	
5	1001184947	1	Harness, OVP Cable Kit	
6	1001185156	1	Module, Voltage Guard	
7	1001186497	1	Box	
8	1001187101	1	Plate	
9	1001187530	1	Decal - JLG	
	1001212457	Ref	VOLTAGE GUARD INSTALLATION (ANSI EXPORT SPEC)	B
101	0760613	2	Bolt M6 x 28	
102	3290405	4	Nut M4	
103	3290605	2	Nut M6	
104	4031510	4	Capscrew M4 x 30	
105	4811400	4	Washer M4	
106	4811700	4	Washer M6	
107	1001131963	1	Battery Charger Installation (Not Shown - See DRIVE AND ELECTRICAL COMPONENTS for Breakdown)	
108	1001185306	1	Voltage Guard Assembly (See Items 1-9 for Breakdown)	
109	1001201492	1	Bracket	
110	1001215326	1	Support (Not Shown)	
111	4240017	2	Tie-Strap (Not Shown)	

SECTION 1 - FRAME

FIGURE 1-8. LOW HEIGHT DRIVE CUTOUT INSTALLATION



ART_1001230608

SECTION 1 - FRAME

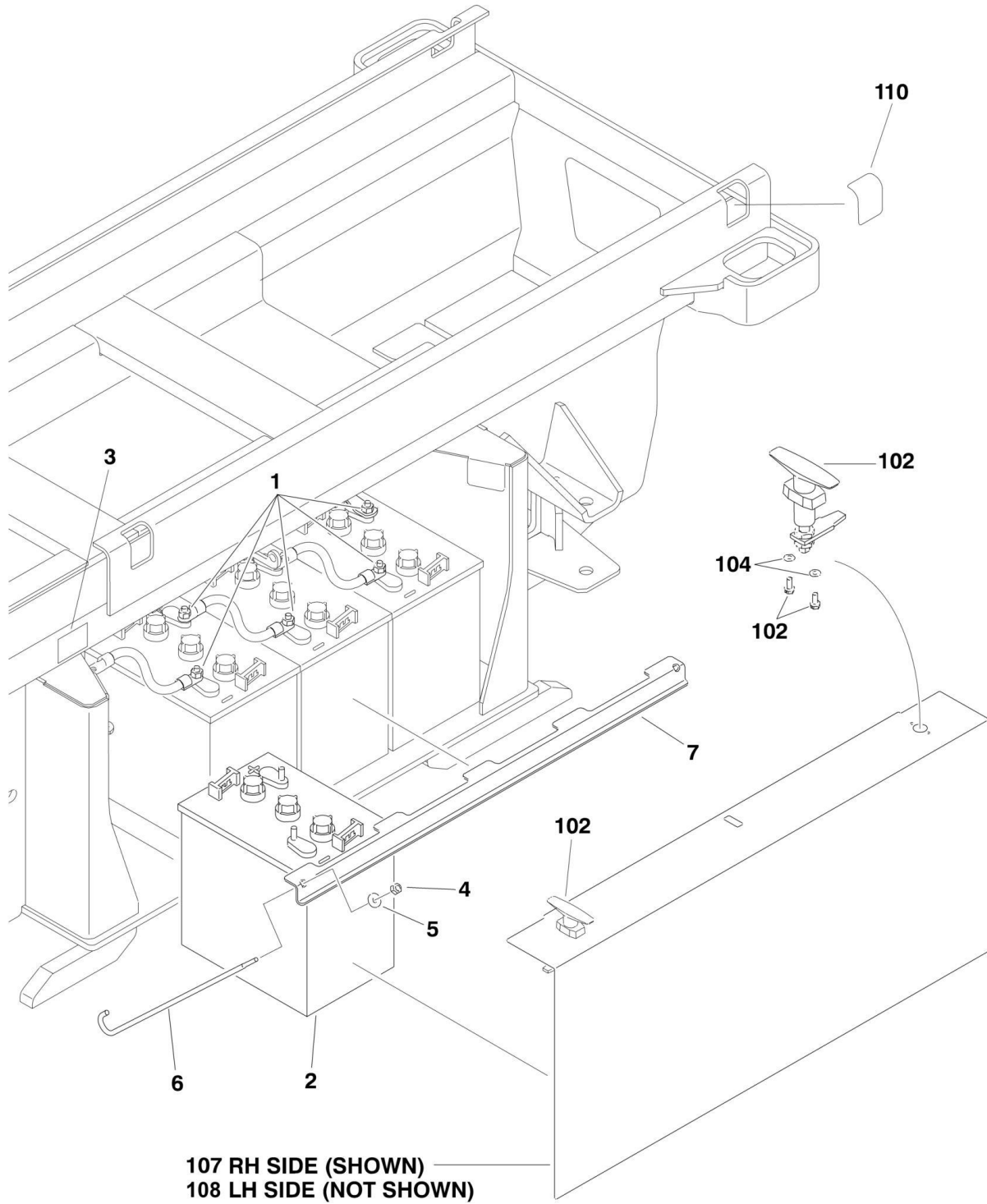
FIGURE 1-8. LOW HEIGHT DRIVE CUTOUT INSTALLATION

ITEM	PART NUMBER	QTY	DESCRIPTION	REV
	1001230608	Ref	LOW HEIGHT DEIVE CUTOUT INSTALLATION	A
1	0700616	2	Bolt M6 x 40	
2	3290405	2	Nut M4	
3	3290605	2	Nut M6	
4	4031512	2	Capscrew M4 x 40	
5	4811700	4	Washer M6	
6	1001091102	2	Washer M4	
7	1001230050	1	Bracket	
8	1001230609	1	Low Height Cutout Harness	

SECTION 2 - GROUND COMPONENTS

SECTION 2 - GROUND COMPONENTS

FIGURE 2-1. BATTERIES AND COVERS INSTALLATION



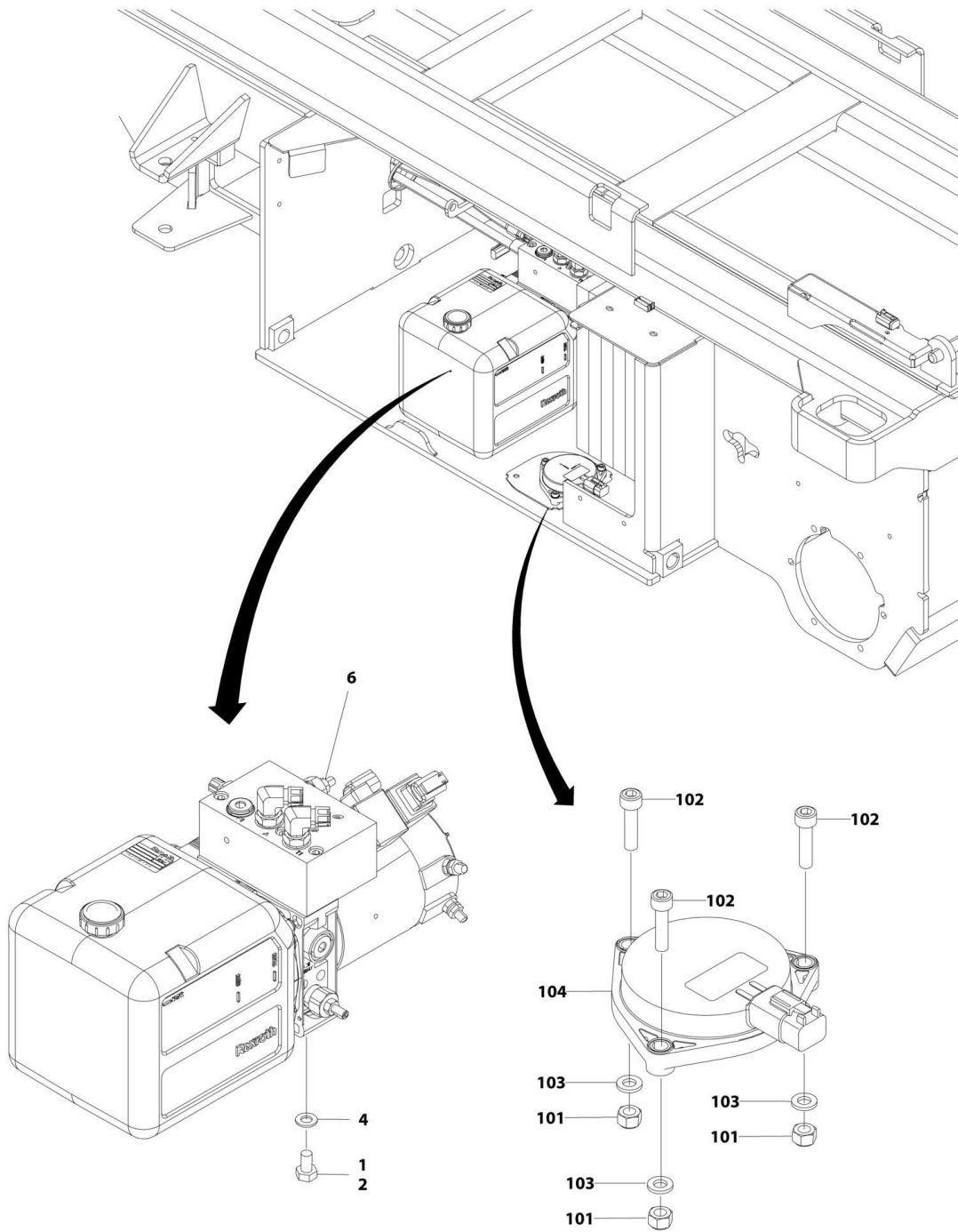
SECTION 2 - GROUND COMPONENTS

FIGURE 2-1. BATTERIES AND COVERS INSTALLATION

ITEM	PART NUMBER	QTY	DESCRIPTION	REV
		Ref	Note: Replacement Decals Must Be Ordered Separately - See DECALS SECTION.	
		Ref	BATTERIES INSTALLATION	
	1001147262	Ref	Batteries Installation - Standard with Disconnect	C
	1001134434	Ref	Batteries Installation - Standard without Disconnect	D
	1001142745	Ref	Batteries Installation - AGM with Disconnect	C
	1001151270	Ref	Batteries Installation - AGM without Disconnect	B
1	0100051	AR	Grease, Battery Terminal	
2		Ref	Battery Options:	
2	0400215	4	Standard Battery	
2	1001112112	4	AGM Battery	
3	1706740	AR	Decal - Battery Disconnect	
4	3290605	2	Nut M6	
5	4811702	2	Washer M6	
6	1001151272	2	Tie-Rod	
7	1001151271	1	Clamp	
	1001181290	Ref	SIDE COVERS INSTALLATION (STANDARD)	B
	1001195570	Ref	SIDE COVERS INSTALLATION (HEAVY DUTY)	B
	1001202983	Ref	SIDE COVERS INSTALLATION (HEAVY DUTY) (NIKEN SPEC)	B
102	2940174	4	Latch, T-Handle	
104	4811400	8	Washer M4	
107	1001181291	1	Cover, RH Side (Standard)	
107	1001195571	1	Cover, RH Side (Heavy Duty)	
108	1001181292	1	Cover, LH Side (Standard)	
108	1001195572	1	Cover, LH Side (Heavy Duty)	
110	1001202961	AR	Cover (Niken Spec)	

SECTION 2 - GROUND COMPONENTS

FIGURE 2-2. PUMP/MOTOR AND TILT SENSOR INSTALLATION



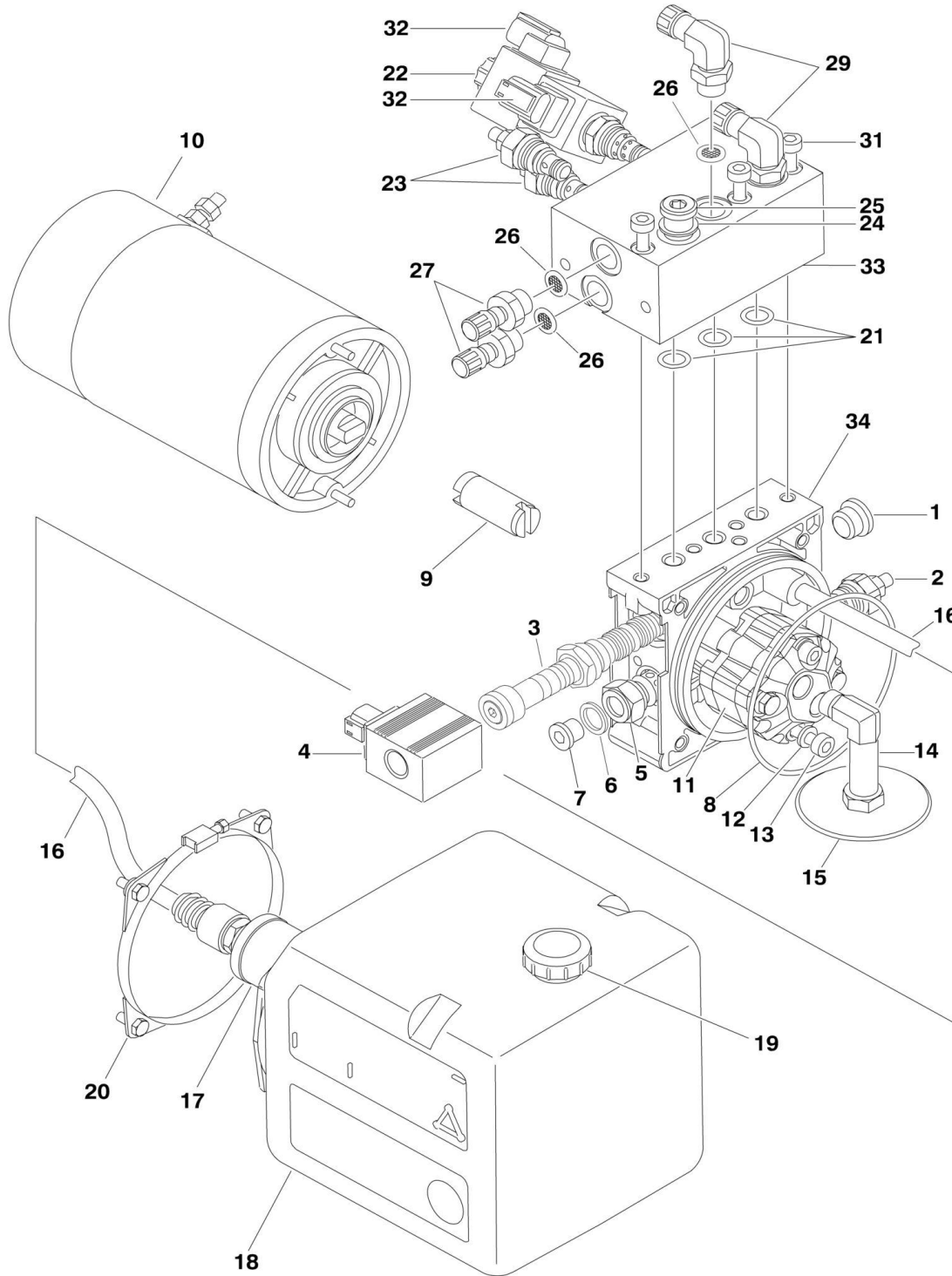
SECTION 2 - GROUND COMPONENTS

FIGURE 2-2. PUMP/MOTOR AND TILT SENSOR INSTALLATION

ITEM	PART NUMBER	QTY	DESCRIPTION	REV
	1001182024	Ref	PUMP/MOTOR/TANK INSTALLATION	C
1	0100011	AR	Compound, Locking	
2	0761009	2	Bolt M10 x 18	
4	4812000	2	Washer M10	
6	1001131630	1	Pump/Motor/Tank Assembly (See PUMP/MOTOR/TANK ASSEMBLY for Breakdown)	
	1001181297	Ref	TILT SENSOR INSTALLATION	A
101	3290605	3	Nut M6	
102	4031709	3	Capscrew M6 x 25	
103	4811700	4	Washer M6	
104	1001163095	1	Sensor, Tilt	
105	1001181200	1	Harness, Tilt Sensor (Not Shown - See ELECTRICAL SECTION for breakdown)	

SECTION 2 - GROUND COMPONENTS

FIGURE 2-3. PUMP/MOTOR/TANK ASSEMBLY



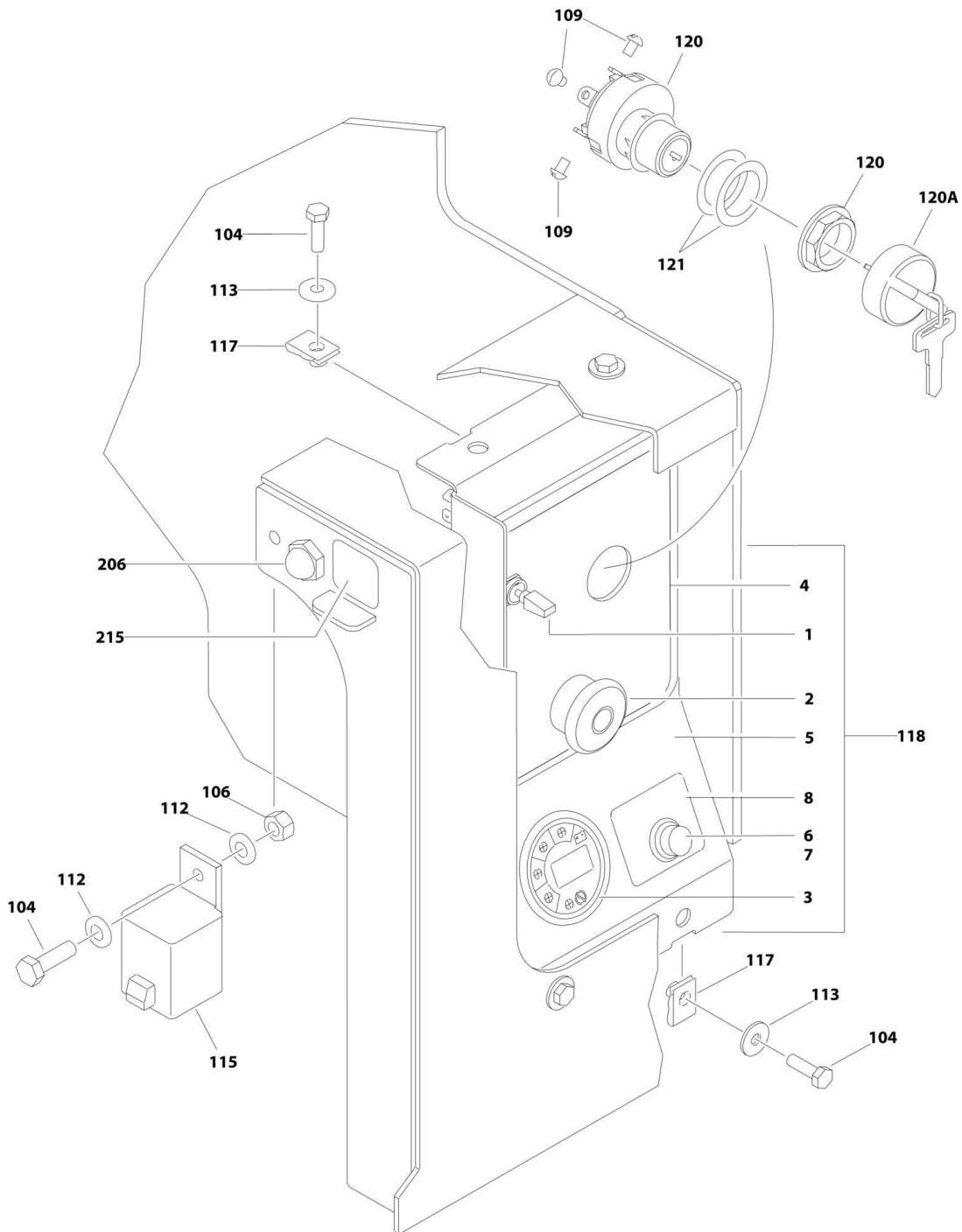
SECTION 2 - GROUND COMPONENTS

FIGURE 2-3. PUMP/MOTOR/TANK ASSEMBLY

ITEM	PART NUMBER	QTY	DESCRIPTION	REV
	1001131630	Ref	PUMP/MOTOR/TANK ASSEMBLY	C
1	70003683	1	Plug	
2	70003730	1	Cartridge, Relief Valve	
2	See Note	1	Seal Kit - Cartridge (Note: Not Available at Time of Printing)	
3	70003685	1	Cartridge, Solenoid Valve	
3	See Note	1	Seal Kit - Cartridge (Note: Not Available at Time of Printing)	
3	70003729	1	Nut, Coil	
4	70003686	1	Coil	
5	70003687	1	Fitting, Pressure	
6	70003688	1	Seal	
7	70003689	1	Plug	
8	70003690	1	O-Ring	
9	70003731	1	Coupling	
10	70003732	1	Motor	
10	70003736	1	Brush and Spring Kit	
11	70003693	1	Pump	
11	See Note	1	Seal Kit - Pump (Note: Not Available at Time of Printing)	
12	70003694	2	Flatwasher M8	
13	4031916	2	Bolt M8 x 60mm	
14	70003695	1	Pipe, Suction	
15	70003696	1	Filter, Suction	
16	70003733	1	Pipe	
17	70003734	1	Filter, Return	
18	70003735	1	Tank	
19	70003700	1	Cap, Oil Fill	
20	70003701	1	Clamp Kit	
21	70003702	3	O-Ring	
22	70003028	1	Cartridge, Solenoid Valve	
22	See Note	1	Seal Kit - Cartridge (Note: Not Available at Time of Printing)	
22	70003726	1	Nut, Coil	
23	70003703	2	Cartridge, Valve	
23	See Note	2	Seal Kit - Cartridge (1 per Cartridge) (Note: Not Available at Time of Printing)	
24	70003704	1	Seal	
25	70003705	1	Plug	
26	70003706	3	Filter	
27	8033143	2	Fitting, Straight	
29	70003912	2	Fitting, 90	
31	4031917	3	Capscrew M8 x 65mm	
32	70003707	2	Coil	
33	See Note	1	Block, Valve (Note: Not Available - Purchase Complete Assembly)	
34	See Note	1	Adapter (Note: Not Available - Purchase Complete Assembly)	

SECTION 2 - GROUND COMPONENTS

FIGURE 2-4. GROUND CONTROL ASSEMBLY AND INSTALLATION



SECTION 2 - GROUND COMPONENTS

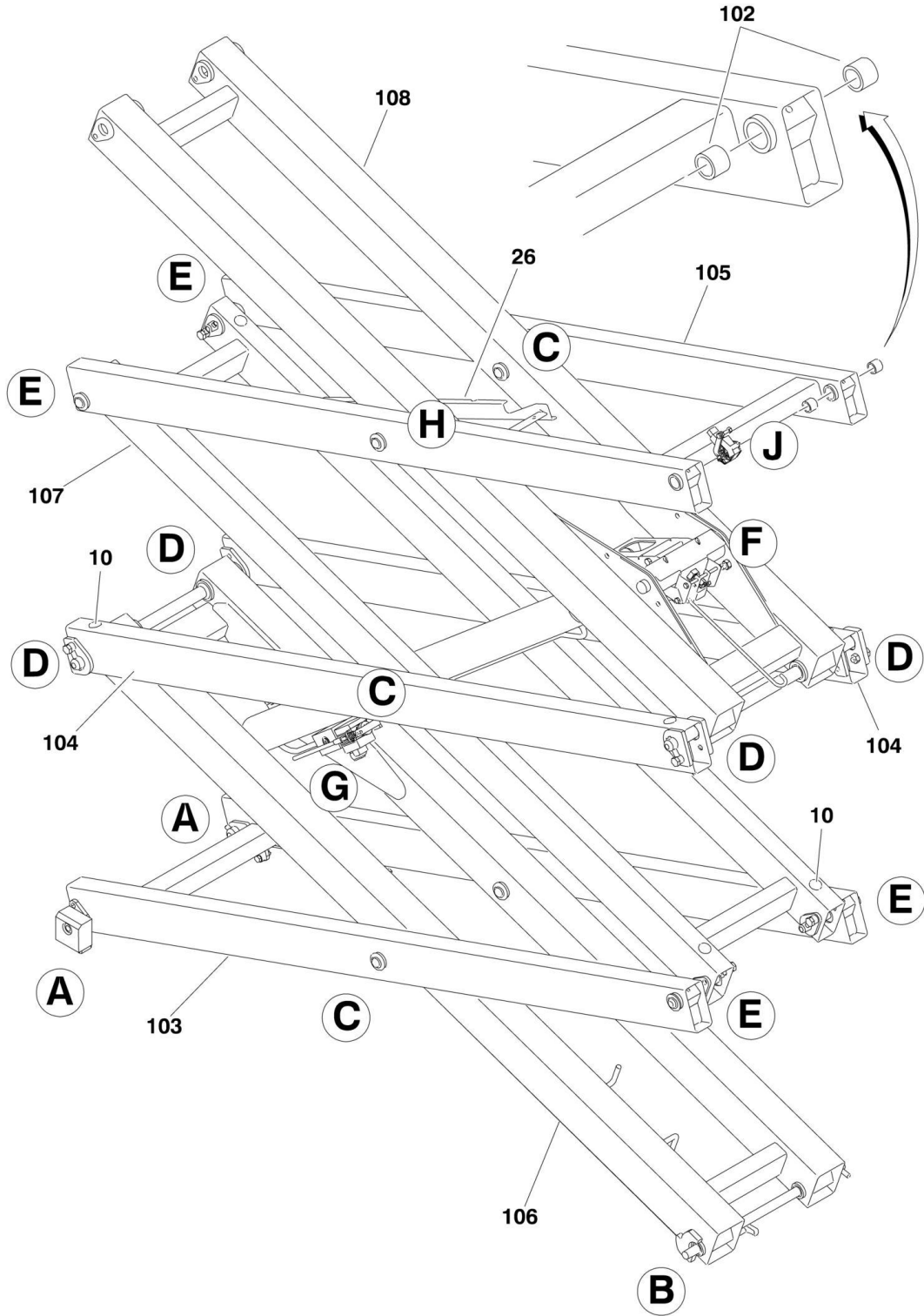
FIGURE 2-4. GROUND CONTROL ASSEMBLY AND INSTALLATION

ITEM	PART NUMBER	QTY	DESCRIPTION	REV
		Ref	GROUND CONTROL ASSEMBLY	
	1001156546	Ref	Ground Control Assembly with LSS	D
	1001130303	Ref	Ground Control Assembly without LSS	D
1	4360328	1	Switch, Toggle	
2	4360475	1	Switch, Emergency Stop	
2	7020175	1	Cap	
2	7020176	1	Block, Contact	
3	1001092454	1	Gauge, MDI	
4	1001143008	1	Decal - Ground Control (With LSS)	
4	1001132360	1	Decal - Ground Control (Without LSS)	
5	1001146980	1	Panel (With LSS)	
5	1001146144	1	Panel (Without LSS)	
6	2920026	1	Lamp (With LSS Only)	
7	2920094	1	Bulb, Light (With LSS Only)	
8	1001146979	1	Decal - LSS (With LSS Only)	
	1001147255	Ref	GROUND CONTROL INSTALLATION WITH LSS	B
	1001197295	Ref	GROUND CONTROL INSTALLATION WITHOUT LSS	A
104	0760610	3	Bolt M6 x 20mm	
106	3290605	5	Locknut M6	
109	3910804	3	Screw #8-32 x 1/4in	
112	4811700	2	Flatwasher M6	
113	4811702	4	Flatwasher, Special M6	
115	1001097347	AR	Relay	
117	1001130220	4	Nut, Tinnerman	
118	1001156546	1	Ground Control Assembly (Includes Items 1-8)	
120	4360469	1	Switch, Key	
120A	2860030	1	Key, Replacement (Fits All Specs)	
121	1001130590	1	Shim	
	1001133269	Ref	BRAKE RELEASE SWITCH INSTALLATION	G
206	4360387	1	Switch, Push Button	
215	1706679	1	Decal - Brake Release	

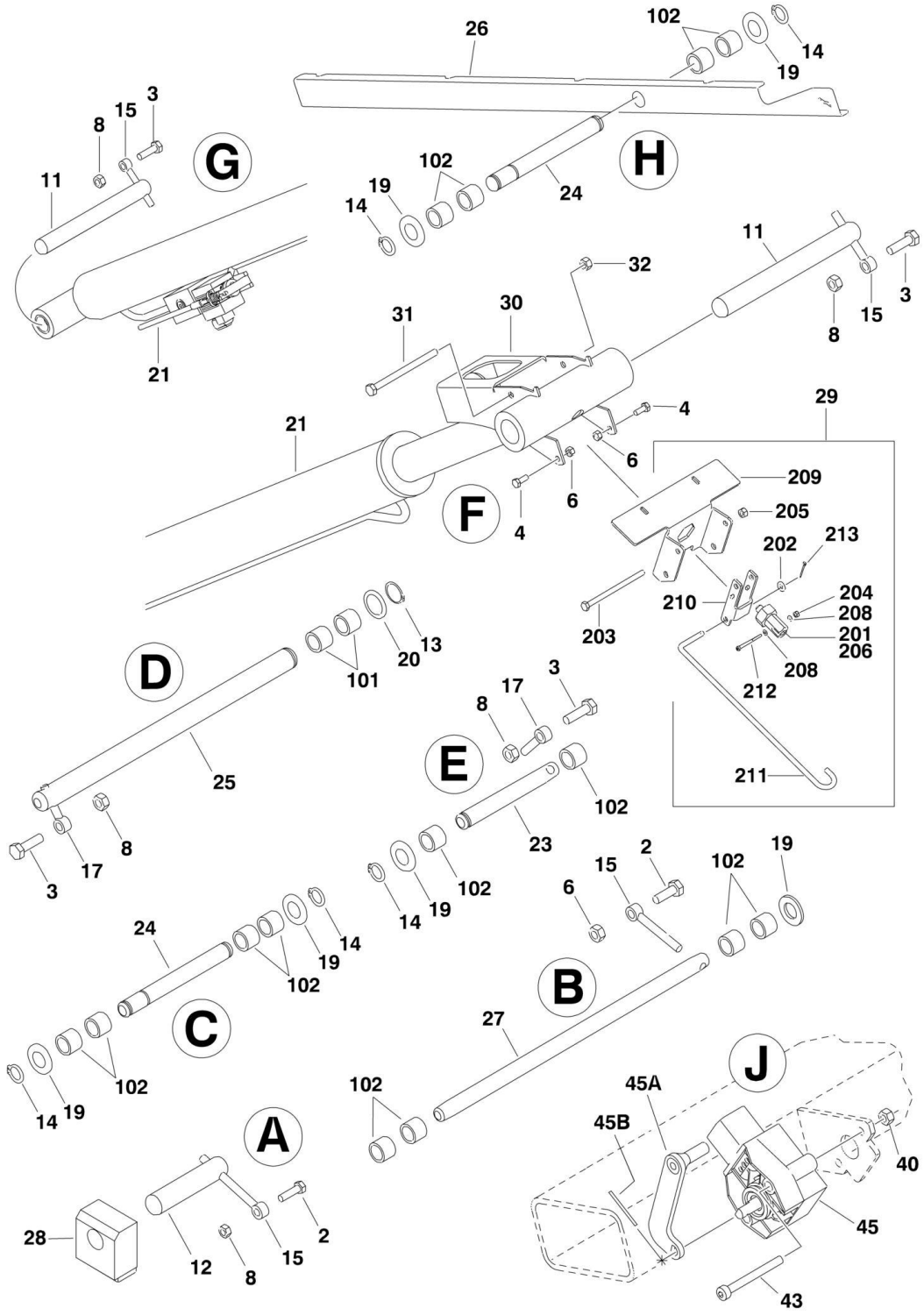
SECTION 3 - SCISSOR ARMS

SECTION 3 - SCISSOR ARMS

FIGURE 3-1. SCISSORS ARMS INSTALLATION



SECTION 3 - SCISSOR ARMS



SECTION 3 - SCISSOR ARMS

FIGURE 3-1. SCISSORS ARMS INSTALLATION

ITEM	PART NUMBER	QTY	DESCRIPTION	REV
		Ref	SCISSOR ARMS ASSEMBLY	
	1001147250	Ref	Scissors Arms Installation with LSS	H
	1001195576	Ref	Scissors Arms Installation without LSS	A
2	0701014	AR	Bolt M10 x 30	
3	0701015	8	Bolt M10 x 35	
4	0760608	2	Bolt M6 x 18	
6	3290607	AR	Nut M6	
8	3291007	AR	Nut M10	
10	3340962	16	Pad, Arm Rest	
11	3422860	2	Pin	
12	3422903	2	Pin	
13	3760115	2	Ring, Retaining	
14	3760348	16	Ring, Retaining	
15	3841143	AR	Keeper, Pin	
17	3841520	6	Keeper, Pin	
19	4712200	16	Washer 3/4	
20	4740531	2	Washer	
21	1001146521	1	Lift Cylinder Assembly (Machines with LSS) (See CYLINDER SECTION for Breakdown)	
21	1001132054	NLA	Lift Cylinder Assembly (Use p/n 1001146521) (Machines without LSS) (See CYLINDER SECTION for Breakdown) (Prior to SN B200051912)	
21	1001146521	1	Lift Cylinder Assembly (Machines without LSS) (See CYLINDER SECTION for Breakdown) (SN B200051912 to Present)	
23	1001132488	4	Pin	
24	1001132489	6	Pin	
25	1001132490	2	Pin	
26	1001133512	1	Carrier, Cable	
27	1001134211	1	Pin	
28	1001177615	2	Block, Slide	
29	1001134809	1	Latch Assembly (See Item 201-212 for Breakdown)	
30	1001134810	NLA	Stop, Cylinder (Use p/n 1001139126)	
31	0760828	1	Bolt M8 x 110	
32	3290805	1	Nut M8	
33	1001156226	1	Harness, Lift Down (Not Shown - See ELECTRICAL SECTION for Breakdown)	
33	1001153879	1	Harness, Lift Down Jumper (Not Shown - See ELECTRICAL SECTION for Breakdown)	
34	4240017	4	Tie-Strap (Not Shown - Attaches Item 33)	
40	3290405	2	Nut M4	
43	4031512	2	Capscrew M4 x 40	
45	1001151800	1	Sensor, Angle	
45A	70004167	1	Arm	
45B	70004168	1	Pin, Dowel	
	1001132471	Ref	SCISSOR ARMS KIT	J
101	0440264	8	Bearing	
102	0962140	40	Bearing	
103	1001132472	1	Arm, Lower Outboard	
104	1001132473	2	Arm, Mid Outboard	
105	1001132474	1	Arm, Upper Outboard	
106	1001132475	1	Arm, Lower Inboard	

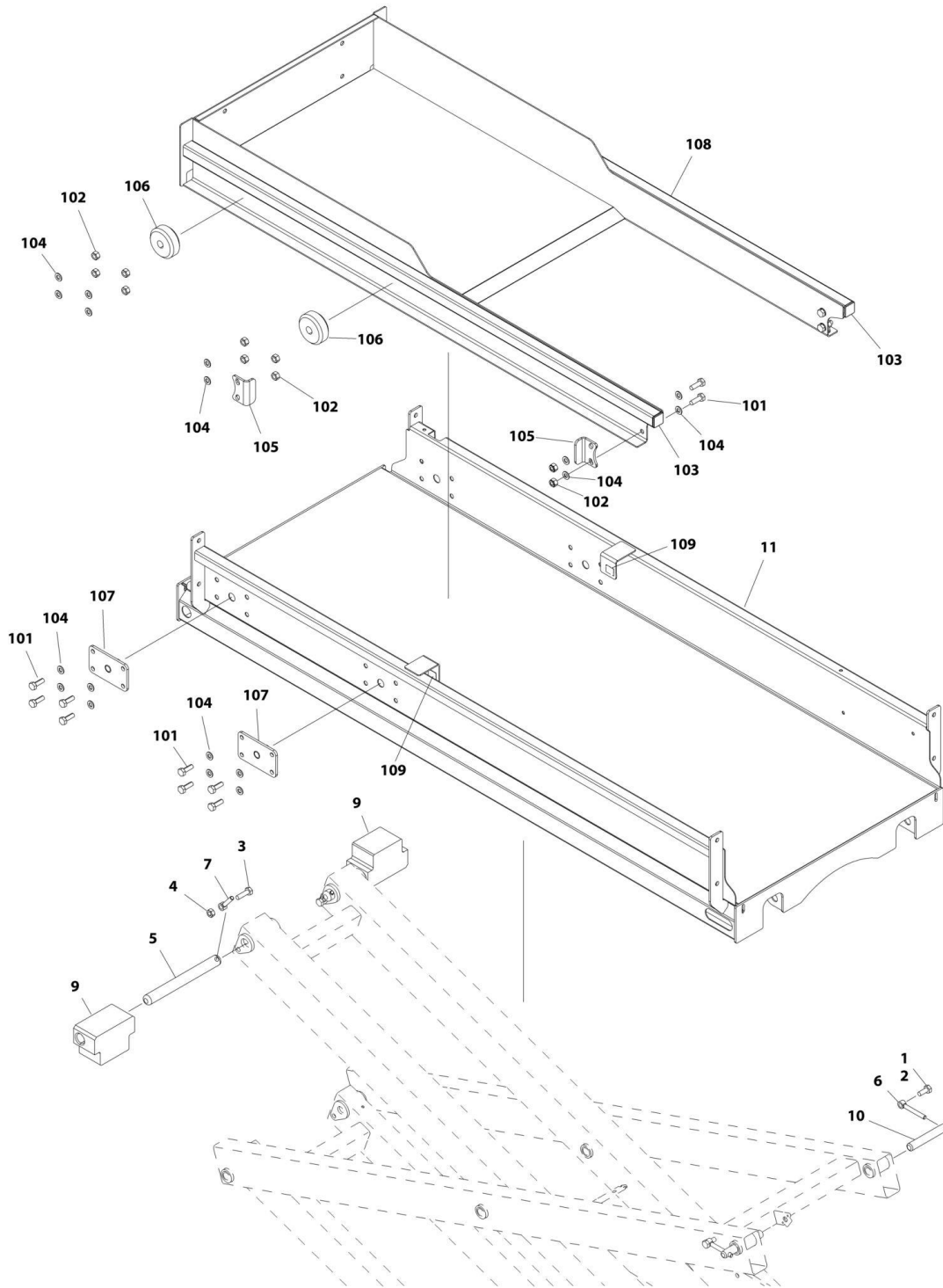
SECTION 3 - SCISSOR ARMS

ITEM	PART NUMBER	QTY	DESCRIPTION	REV
107	1001132476	1	Arm, Mid Inboard	B
108	1001132477	1	Arm, Upper Inboard	
	1001134809	Ref	LATCH ASSEMBLY	
201	0100011	AR	Compound, Locking	
202	4811700	1	Washer M6	
203	0700627	1	Bolt M6 x 100	
204	3290305	1	Nut M3	
205	3290607	1	Nut M6	
206	3423151	1	Pin, Plunger	
208	1001110544	2	Washer M3	
209	1001134811	1	Bracket	
210	1001134813	1	Link	
211	1001140670	1	Rod, Release	
212	1001134833	1	Screw M3 x 40 (Stainless)	
213	3450203	1	Pin, Cotter	

SECTION 4 - PLATFORM

SECTION 4 - PLATFORM

FIGURE 4-1. PLATFORM AND EXTENSION DECK INSTALLATION



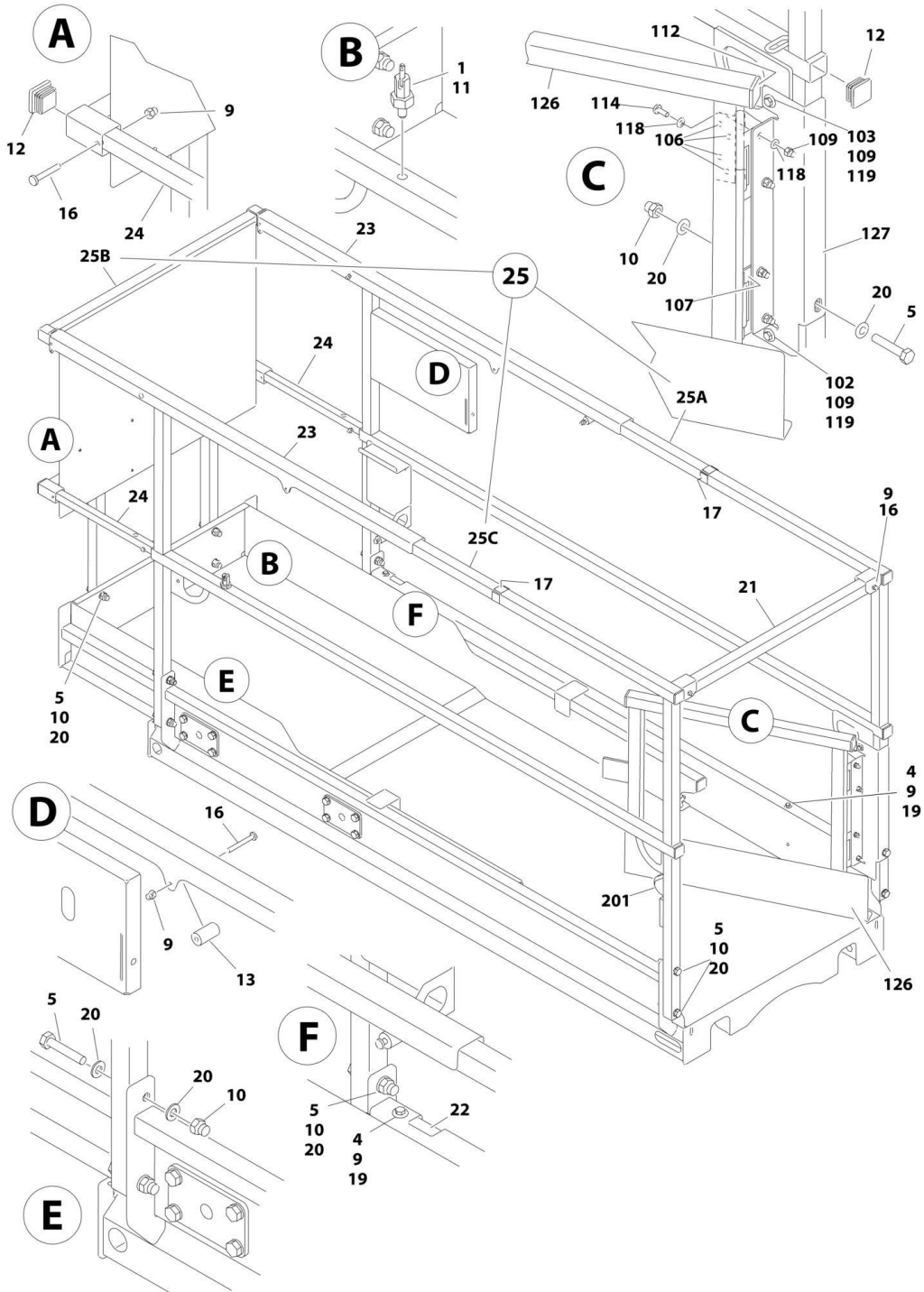
SECTION 4 - PLATFORM

FIGURE 4-1. PLATFORM AND EXTENSION DECK INSTALLATION

ITEM	PART NUMBER	QTY	DESCRIPTION	REV
	1001145960	Ref	PLATFORM INSTALLATION	C
1	0100011	AR	Compound, Locking	
2	0761012	2	Bolt M10 x 25	
3	0761015	2	Bolt M10 x 35	
4	3291007	2	Nut M10	
5	3422860	2	Pin	
6	3841143	2	Keeper, Pin	
7	3841520	2	Keeper, Pin	
9	1001134287	2	Block, Side	
10	1001134342	2	Pin	
11	1001145961	1	Platform	
	1001145962	Ref	EXTENSION DECK INSTALLATION	C
101	0761014	20	Bolt M10 x 30	
102	3291005	20	Nut M10	
103	3520072	2	Cap-Plug	
104	4812000	36	Washer M10	
105	1001129549	4	Bracket, Stop	
106	1001134648	4	Roller	
107	1001145779	4	Mount, Roller	
108	1001145964	1	Deck, Extension	
109	4420062	AR	Tape	

SECTION 4 - PLATFORM

FIGURE 4-2. RAIL (FIXED) INSTALLATION



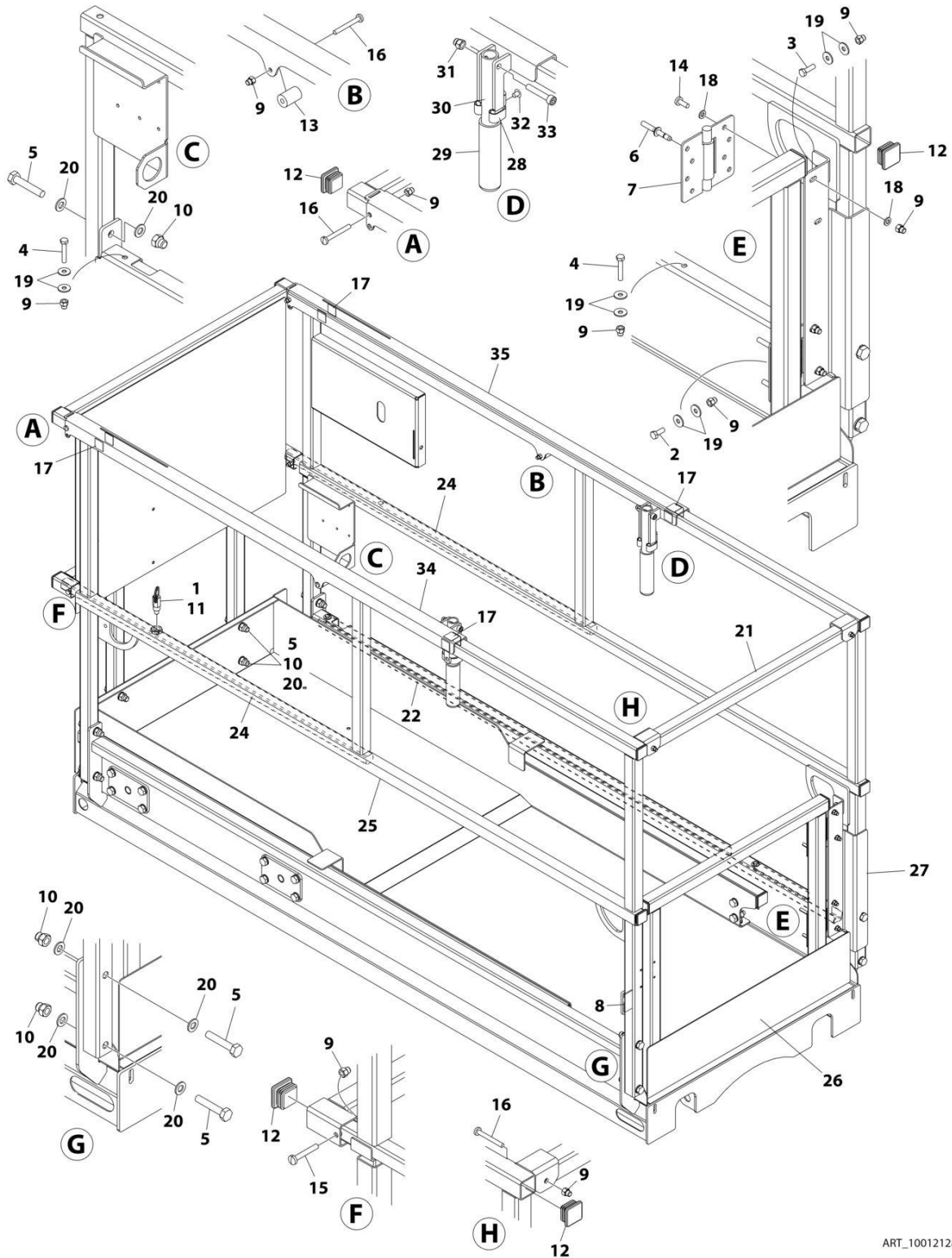
SECTION 4 - PLATFORM

FIGURE 4-2. RAIL (FIXED) INSTALLATION

ITEM	PART NUMBER	QTY	DESCRIPTION	REV
		Ref	Note: Replacement Decals Must Be Ordered Separately - See DECALS SECTION.	
	1001154564	Ref	RAIL (FIXED) INSTALLATION	B
1	0100011	AR	Compound, Locking	
4	0760615	2	Bolt M8 x 35	
5	0761019	12	Bolt M10 x 55	
9	3290606	12	Nut M6	
10	3291006	12	Nut M10	
11	3423151	1	Pin, Plunger	
12	3520072	8	Cap-Plug	
13	3860111	2	Roller	
15	4010616	2	Screw M6 x 40	
16	4010618	6	Screw M6 x 50	
17	4420062	10 in /25cm	Tape	
19	4811702	4	Washer M6	
20	4812000	24	Washer M10	
21	1001131275	1	Rail (Top Rear)	
22	1001146856	1	Support, Cable	
23	1001146873	2	Rail, Slide	
24	1001154541	2	Rod, Extension	
25	1001154565	1	Rail Kit	G
25A	1001154566	1	Rail (RH Side)	
25B	1001154567	1	Rail (Extension Front)	
25C	1001154568	1	Rail (LH Side)	
	1001154564	Ref	GATE CLOSURE INSTALLATION	B
102	0760608	1	Bolt M6 x 16	
103	0760610	1	Bolt M8 x 20	
106	2080040	4	Fastener, Huck	
107	2600281	2	Hinge	
109	3290606	4	Nut M6	
112	3520072	2	Cap-Plug	
114	4010608	4	Screw M6 x 16	
118	4811700	8	Washer M6	
119	4811702	4	Washer M6	
126	1001159592	1	Gate	
127	1001159623	1	Bracket, Gate Hinge	
	1001182095	Ref	MAGNETIC LATCH INSTALLATION	B
201	4811600	4	Washer M5	
201	8303920	4	Screw #10-24 x 1-3/4	
201	1001182107	1	Shim	
201	1001134821	1	Latch, Magnetic (Includes Both Halves)	
201	8034805	4	Nut #10-24	

SECTION 4 - PLATFORM

FIGURE 4-3. RAIL (FIXED) INSTALLATION WITH HANDLES



ART_1001212858

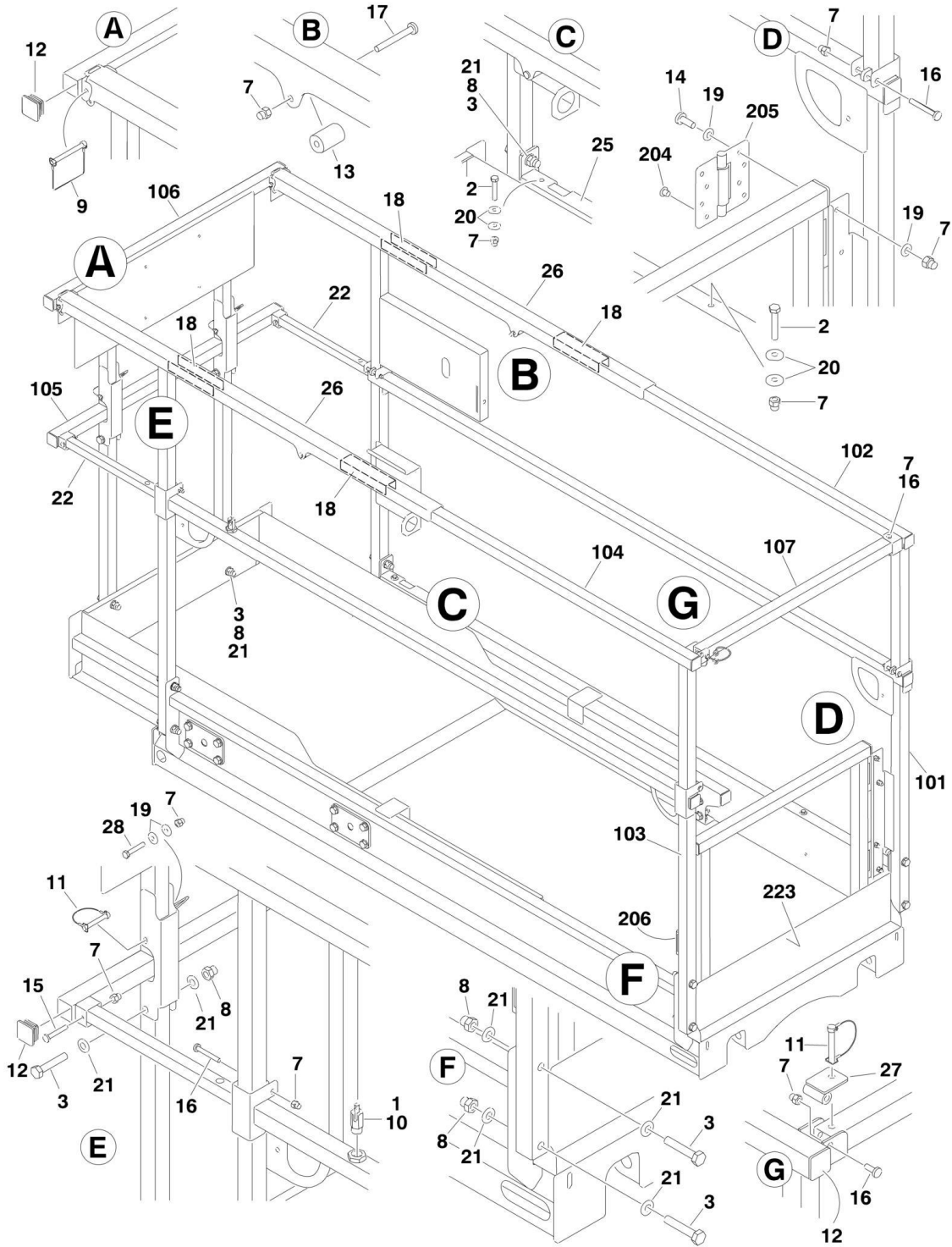
SECTION 4 - PLATFORM

FIGURE 4-3. RAIL (FIXED) INSTALLATION WITH HANDLES

ITEM	PART NUMBER	QTY	DESCRIPTION	REV
	1001212858	Ref	RAIL (FIXED) INSTALLATION WITH HANDLES	A
1	0100011	AR	Compound, Locking	
2	0760608	1	Bolt M6 x 16	
3	0760610	1	Bolt M6 x 20	
4	0760615	2	Bolt M6 x 35	
5	0761019	12	Bolt M10 x 55	
6	2080040	4	Fastener, Huck	
7	2600281	2	Hinge	
8	3080007	1	Magnet, Gate Hold	
9	3290606	15	Nut M6	
10	3291006	12	Nut M10	
11	3423151	1	Pin, Plunger	
12	3520072	10	Cap-Plug	
13	3860111	2	Roller	
14	4010608	4	Screw M6 x 16	
15	4010616	2	Screw M6 x 40	
16	4010618	6	Screw M6 x 50	
17	4420062	10 in /25cm	Tape	
18	4811700	8	Washer M6	
19	4811702	8	Washer M6	
20	4812000	24	Washer M10	
21	1001131275	1	Rail (Top Rear)	
22	1001146856	1	Support, Cable	
24	1001154541	2	Rod, Extension	
25	1001154565	1	Rail Kit	
26	1001159592	1	Gate	
27	1001159623	1	Bracket, Gate Hinge	
28	1380132	2	Clip, Gripper	
29	2560088	2	Handle	
30	2560190	2	Handle, Platform	
31	3290806	2	Nut M8	
32	3820019	2	Rivet	
33	3900345	2	Screw M8 x 45	
34	1001212879	1	Rail, Top Slide	
35	1001212881	1	Rail, Top Slide	

SECTION 4 - PLATFORM

FIGURE 4-4. RAIL (FOLD-DOWN) INSTALLATION



SECTION 4 - PLATFORM

FIGURE 4-4. RAIL (FOLD-DOWN) INSTALLATION

ITEM	PART NUMBER	QTY	DESCRIPTION	REV
		Ref	Note: Replacement Decals Must Be Ordered Separately - See DECALS SECTION.	
		Ref	RAIL INSTALLATION	
	1001146882	Ref	Rails with Gate Closure	D
1	0100011	AR	Compound, Locking	
2	0760615	2	Bolt M6 x 35mm	
3	0761019	14	Bolt M10 x 55mm	
7	3290606	AR	Capnut M6	
8	3291006	14	Capnut M10	
9	3422219	2	Pin, Snap	
10	3423151	1	Pin, Plunger	
11	3423278	3	Pin, Snap with Lanyard	
12	3520072	AR	Cap-Plug	
13	3860111	2	Roller	
14	4010608	AR	Screw M6 x 16mm	
15	4010616	2	Screw M6 x 40mm	
16	4010617	AR	Screw M6 x 45mm	
17	4010618	2	Screw M6 x 50mm	
18	4420076	AR	Tape (Use p/n 4420062)	
19	4811700	10	Flatwasher M6	
20	4811702	4	Flatwasher, Special M6	
21	4812000	28	Flatwasher M10	
22	1001154541	2	Rod, Extension	
25	1001146856	1	Support, Kickplate	
26	1001146873	2	Rail (Top Rear)	
27	1001154378	1	Bracket	
28	0760608	2	Bolt M6 x 16mm	
	1001146836	Ref	RAIL KIT	G
101	1001146839	1	Rail (RH Side Bottom)	
102	1001146840	1	Rail (RH Side Top)	
103	1001146842	1	Rail (LH Side Bottom)	
104	1001146843	1	Rail (LH Side Top)	
105	1001146844	1	Rail (Front/Extension Bottom)	
106	1001146845	1	Rail (Front/Extension Top)	
107	1001146855	1	Rail (Rear Top)	
	1001146882	Ref	GATE CLOSURE COMPONENTS	D
204	2080040	4	Fastener, Huck	
205	2600281	2	Hinge	
206	3080007	1	Magnet, Gate	
223	1001159592	1	Gate	

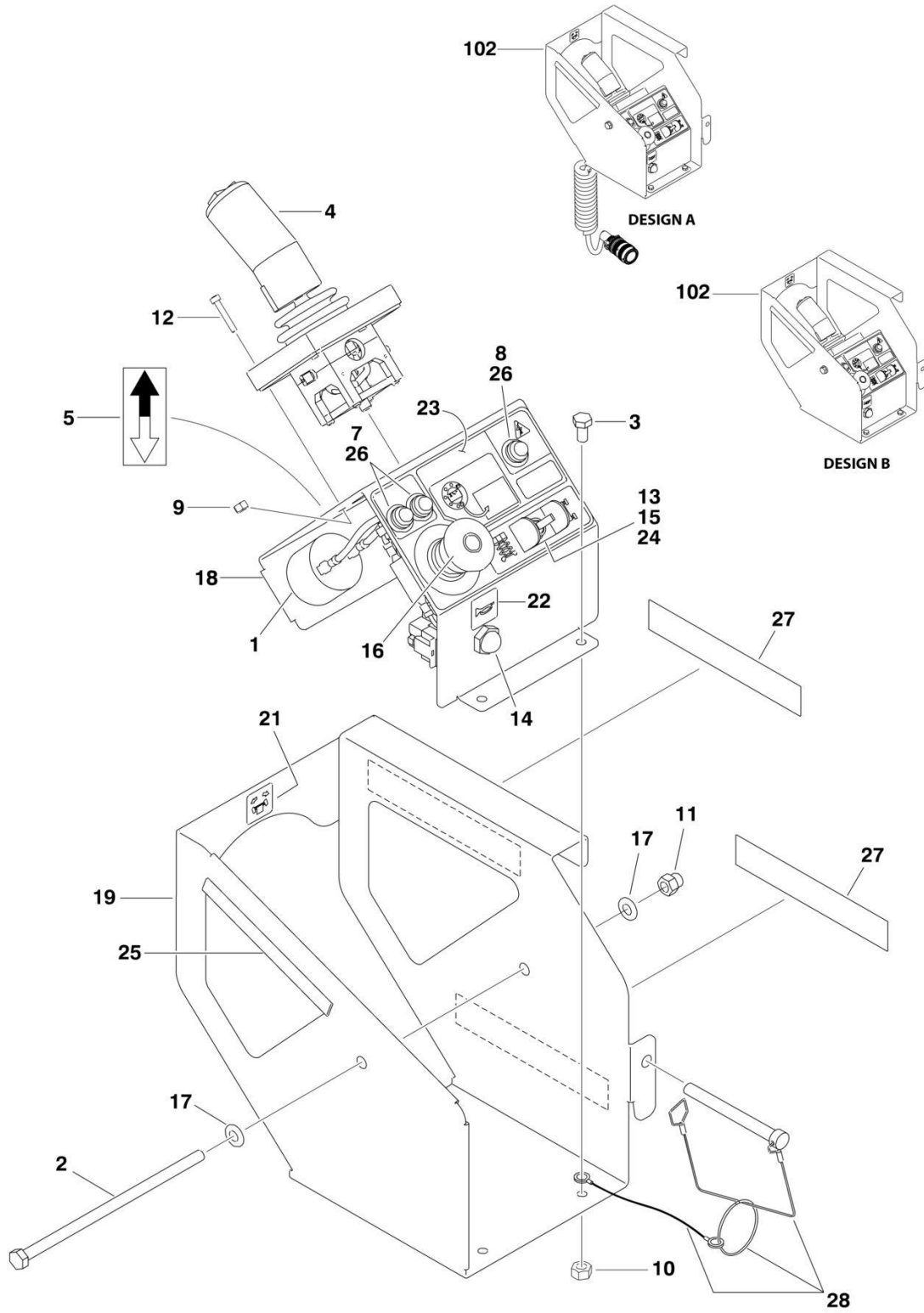
SECTION 4 - PLATFORM

FIGURE 4-5. RAIL (FOLD-DOWN) INSTALLATION WITH HANDLES

ITEM	PART NUMBER	QTY	DESCRIPTION	REV
		Ref	Note: Replacement Decals Must Be Ordered Separately - See DECALS SECTION.	
		Ref	RAIL INSTALLATION	
	1001212854	Ref	Rails with Gate Closure	A
1	0100011	AR	Compound, Locking	
2	0760615	2	Bolt M8 x 35	
3	0761019	14	Bolt M10 x 55	
4	2080040	4	Fastener, Huck	
5	2600281	2	Hinge	
6	3080007	1	Magnet, Gate	
7	3290606	18	Nut M6	
8	3291006	14	Nut M10	
9	3422219	2	Pin, Snap	
10	3423151	1	Pin, Plunger	
11	3423278	3	Pin, Snap with Lanyard	
12	3520072	10	Cap-Plug	
13	3860111	2	Roller	
14	4010608	4	Screw M6 x 16	
15	4010616	2	Screw M6 x 40	
16	4010617	6	Screw M6 x 45	
17	4010618	2	Screw M6 x 50	
18	4420062	AR	Tape	
19	4811700	10	Washer M6	
20	4811702	4	Washer M6	
21	4812000	28	Washer M10	
22	1001154541	2	Rod, Extension	
23	1001159592	1	Gate	
24	1001146836	1	Rail Kit (See Items 101-107 for Breakdown)	
25	1001146856	1	Support, Kickplate	
27	1001154378	1	Bracket	
28	0760608	4	Bolt M6 x 16	
29	1380132	2	Clip	
30	2560088	2	Handle	
31	2560190	2	Handle, Platform	
32	3290806	2	Nut M8	
33	3820019	2	Rivet	
34	3900345	2	Capscrew M8 x 45	
35	1001212879	1	Rail (Top Slide)	
36	1001212881	1	Rail (Top Slide)	
	1001146836	Ref	RAIL KIT	G
101	1001146839	1	Rail (RH Side Bottom)	
102	1001146840	1	Rail (RH Side Top)	
103	1001146842	1	Rail (LH Side Bottom)	
104	1001146843	1	Rail (LH Side Top)	
105	1001146844	1	Rail (Front/Extension Bottom)	
106	1001146845	1	Rail (Front/Extension Top)	
107	1001146855	1	Rail (Rear Top)	

SECTION 4 - PLATFORM

FIGURE 4-6. PLATFORM CONSOLE BOX ASSEMBLY



SECTION 4 - PLATFORM

FIGURE 4-6. PLATFORM CONSOLE BOX ASSEMBLY

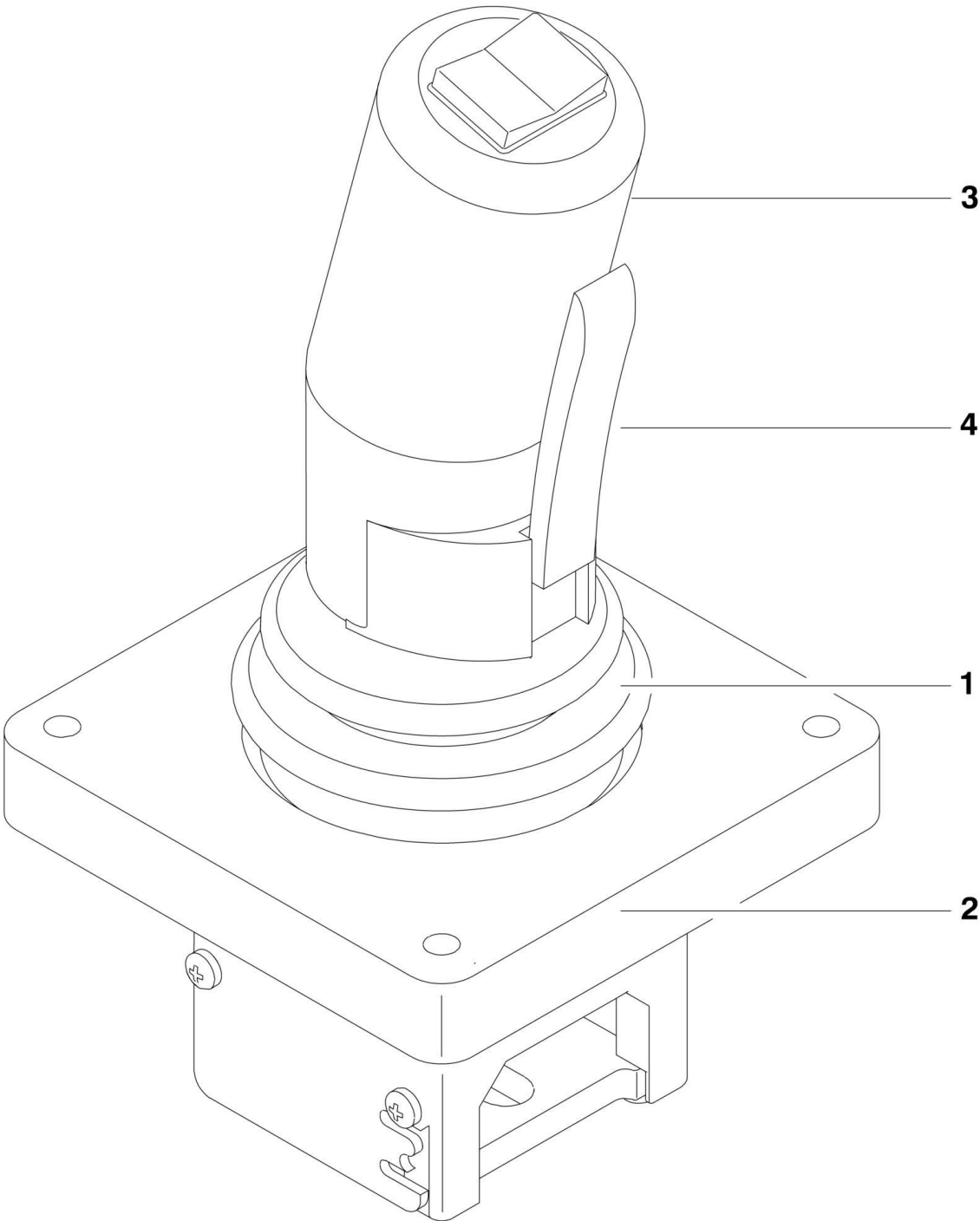
ITEM	PART NUMBER	QTY	DESCRIPTION	REV
		Ref	CONSOLE BOX ASSEMBLY	
	1001128685	Ref	Console Assembly with HDP Connector (Without LSS) (Design A)	G
	1001146985	Ref	Console Assembly with HDP Connector (With LSS) (Design A)	B
	1001173556	Ref	Console Assembly with HD Connector (Without LSS) (Design A)	B
	1001173559	Ref	Console Assembly with HD Connector (With LSS) (Design A)	B
	1001195563	Ref	Console Assembly with HD Connector (Without LSS) (Design B)	A
	1001195568	Ref	Console Assembly with HD Connector (With LSS) (Design B)	A
1	0140030	1	Alarm	
2	0700835	1	Bolt M8 x 180	
3	0760606	2	Bolt M6 x 12	
4	1600402	NLA	Drive/Steer Controller Assembly (Use p/n 1001134438) (See DRIVE/STEER CONTROLLER ASSEMBLY for Breakdown)	
5	1703819	1	Decal - Direction Arrow	
7	2920026	AR	Lamp, Indicator (Red)	
8	2920028	1	Lamp, Indicator (Yellow)	
9	3290405	4	Nut M4	
10	3290605	2	Nut M6	
11	3290806	1	Nut M8	
12	4031509	4	Screw M4 x 25	
13	4060906	1	Guard, Switch	
14	4360274	1	Switch, Push Button	
15	4360345	1	Switch, Toggle	
16	4360475	1	Switch, Emergency Stop	
16	7020175	1	Cap	
16	7020176	1	Block, Contact	
17	4811900	2	Washer M8	
18		Ref	Plate, Inside Console Option:	
18	1001128686	1	Plate (With 2 Indicator Lamps) (Without LSS) (With HDP Connector) (Design A)	
18	1001195563	1	Plate (With 2 Indicator Lamps) (Without LSS) (With HD Connector) (Design B)	
18	1001146983	1	Plate (With 3 Indicator Lamps) (With LSS) (With HDP Connector) (Design A)	
18	1001195569	1	Plate (With 3 Indicator Lamps) (With LSS) (With HD Connector) (Design B)	
19	1001128687	1	Plate, Outside Console (With HDP Connector) (Design A)	
19	1001195566	1	Plate, Outside Console (With HD Connector) (Design B)	
21	1001132358	1	Decal - Steer	
22	1001132361	1	Decal - Horn	
23		Ref	Decal - Light Function Options:	
23	1001132362	1	Decal - Light Function (With 2 Indicator Lamps) (Without LSS)	
23	1001146984	1	Decal - Light Function (With 3 Indicator Lamps) (With LSS) (Not Shown)	
24	4711700	2	Washer 7/16	
25	4060803	5.3 in /13.5cm	Flex Trim	
26	2920094	3	Bulb, Light	
27	4420076	1 ft /30.5cm	Tape	

SECTION 4 - PLATFORM

ITEM	PART NUMBER	QTY	DESCRIPTION	REV
28	3423278	1	Pin with Lanyard	
		Ref	CONSOLE BOX INSTALLATION	
	1001131059	Ref	Console Box Installation with HDP Connector (Without LLS) (Design A)	B
	1001143051	Ref	Console Box Installation with HDP Connector (With LLS) (Design A)	B
	1001173557	Ref	Console Box Installation with HD Connector (Without LLS) (Design A)	B
	1001173560	Ref	Console Box Installation with HD Connector (With LLS) (Design A)	A
	1001195962	Ref	Console Box Installation with HD Connector (Without LLS) (Design B)	A
	1001195963	Ref	Console Box Installation with HD Connector (With LLS) (Design B)	A
102		Ref	Console Box Assembly (Includes Items 1-28):	
102	1001128685	1	Console Assembly with HDP Connector (Without LLS) (Design A)	
102	1001146985	1	Console Assembly with HDP Connector (With LLS) (Design A)	
102	1001173556	1	Console Assembly with HD Connector (Without LLS) (Design A)	
102	1001173559	1	Console Assembly with HD Connector (With LLS) (Design A)	
102	1001195563	1	Console Assembly with HD Connector (Without LLS) (Design B)	
102	1001195568	1	Console Assembly with HD Connector (With LLS) (Design B)	

SECTION 4 - PLATFORM

FIGURE 4-7. DRIVE/STEER CONTROLLER ASSEMBLY



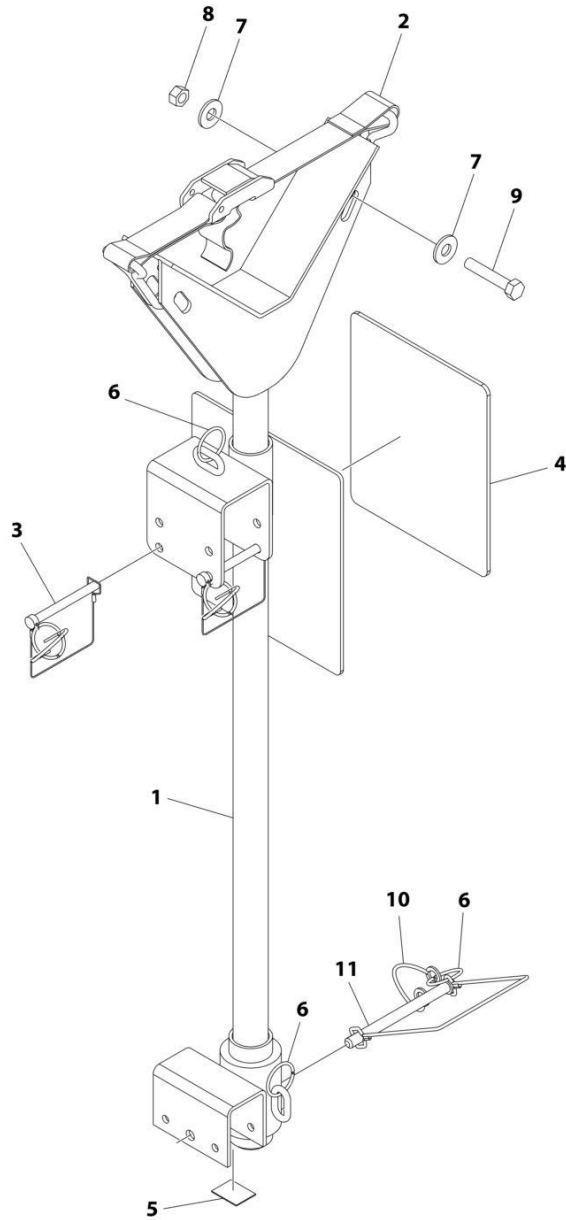
SECTION 4 - PLATFORM

FIGURE 4-7. DRIVE/STEER CONTROLLER ASSEMBLY

ITEM	PART NUMBER	QTY	DESCRIPTION	REV
	1600402	Ref	DRIVE/STEER CONTROLLER ASSEMBLY	B
		Ref	Note: When replacing complete assembly use p/n 1001134438.	
1	70001250	1	Boot, Panel	
2	70001252	1	Gasket, Mounting	
2	70001251	1	Bezel, Mounting	
3	70000084	1	Cap, Rubber	
3	70000082	1	Microswitch	
3	7027766	1	Ring, Retaining	
3	7027365	1	Actuator, Handle	
3	70001253	1	Gasket, Handle	
3	70000683	4	Washer, Neoprene	
3	70000685	2	Spacer, Plastic	
3	70000686	2	Screw (Top)	
3	70000684	2	Screw (Bottom)	
4	7027765	1	Lever, Enable	
4	7027367	1	Switch, Push Button (Not Shown - Located Behind Lever)	

SECTION 4 - PLATFORM

FIGURE 4-8. PIPE RACK INSTALLATION (AUSTRALIAN SPECS)



ART_1001229469

SECTION 4 - PLATFORM

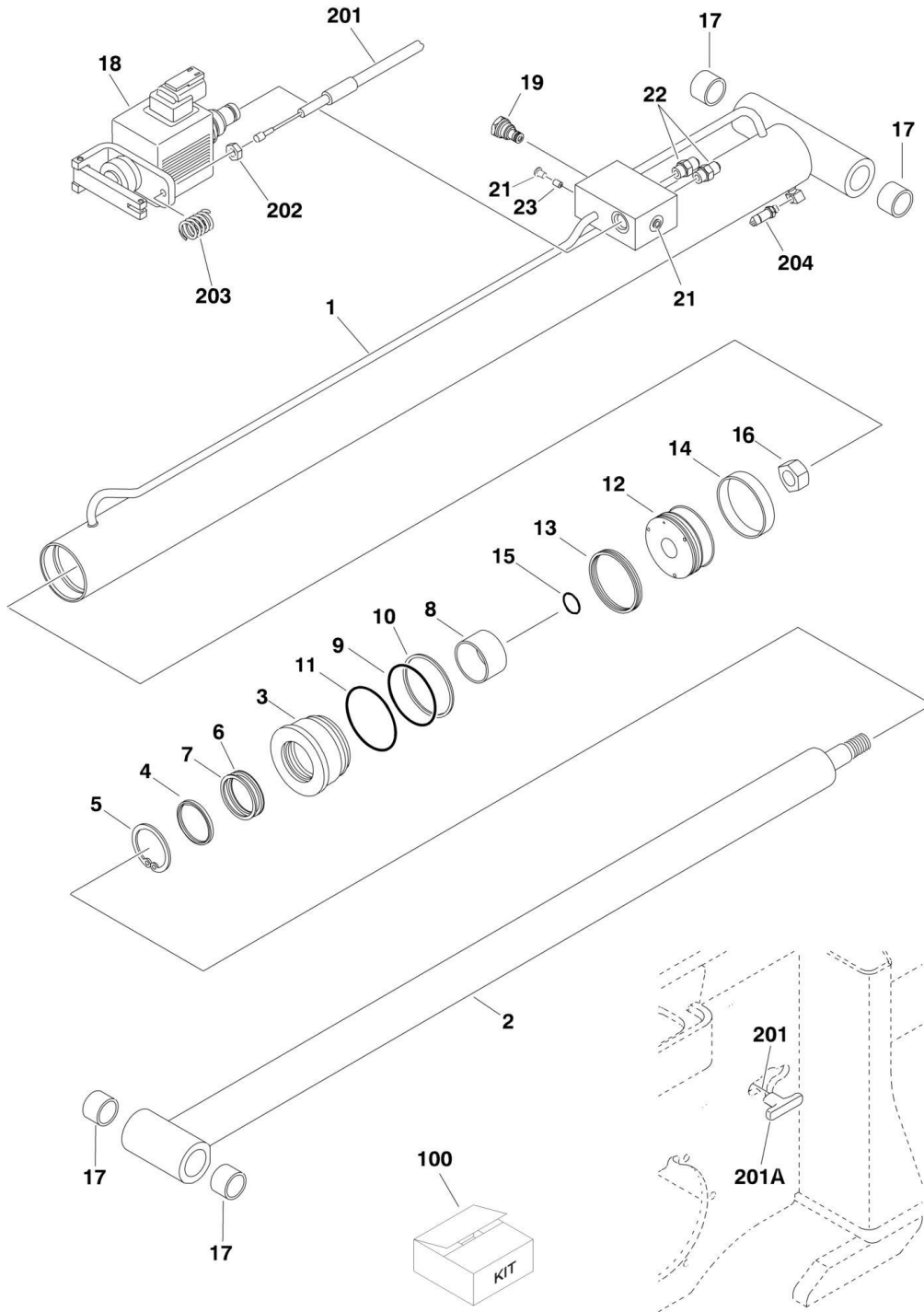
FIGURE 4-8. PIPE RACK INSTALLATION (AUSTRALIAN SPECS)

ITEM	PART NUMBER	QTY	DESCRIPTION	REV
	1001229469	Ref	PIPE RACK INSTALLATION	A
1	1001199189	2	Rack Pipe	
2	0480100	2	Tie-Strap	
3	1001187587	4	Pin	
4	1001229441	2	Decal - Pipe Rack Capacity	
5	4420062	3 ft/ 1m	Tape	
6	3760170	6	Ring	
7	4751500	8	Washer 5/16	
8	3311505	4	Nut 5/16	
9	0641514	4	Bolt 5/16 x 1-3/4	
10	1060379	2	Lanyard	
11	3421854	2	Pin	

SECTION 5 - CYLINDER

SECTION 5 - CYLINDER

FIGURE 5-1. LIFT CYLINDER ASSEMBLY



SECTION 5 - CYLINDER

FIGURE 5-1. LIFT CYLINDER ASSEMBLY

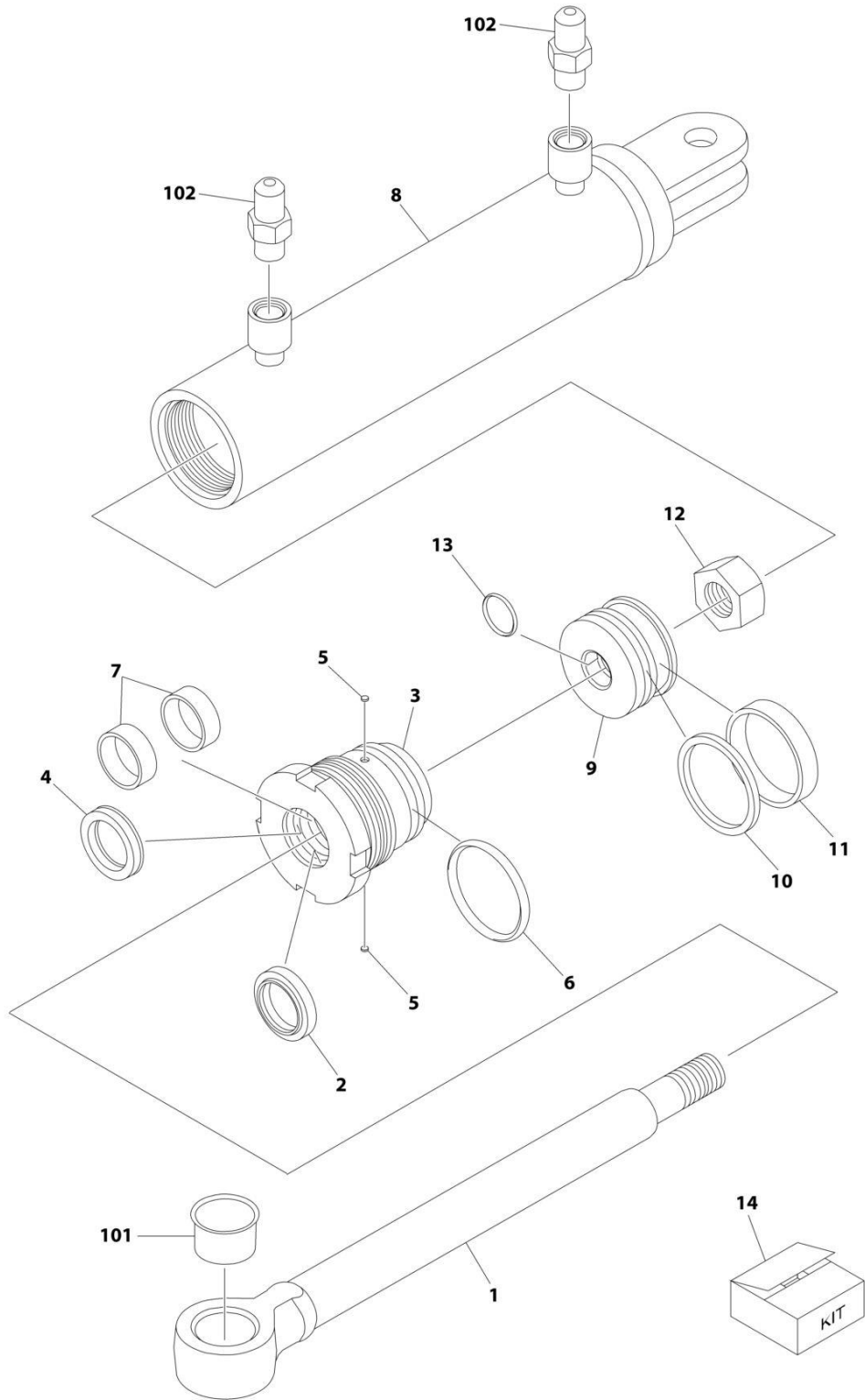
ITEM	PART NUMBER	QTY	DESCRIPTION	REV
		Ref	LIFT CYLINDER ASSEMBLY	
	1001146521	Ref	Lift Cylinder Assembly (Machines with LSS)	E
	1001132054	Ref	Lift Cylinder Assembly (Machines without LSS) (Prior to SN B200051912)	H
	1001146521	Ref	Lift Cylinder Assembly (Machines without LSS) (SN B200051912 to Present)	E
1	70004238	1	Barrel - 1001146521 Cylinders (With Port For Item 204)	
1	70003661	1	Barrel - 1001132054 Cylinders (Without Port For Item 204)	
2	70003660	1	Rod	
3	70003659	1	Head	
4	See Note	1	Wiper (Note: Use Item 100)	
5	70002410	1	Ring, Retaining	
6	See Note	1	Seal (Note: Use Item 100)	
7	See Note	1	Ring, Back-up (Note: Use Item 100)	
8	70004237	1	Bearing, Dry - 1001146521 Cylinders	
8	70002337	1	Bearing, Dry - 1001132054 Cylinders	
9	See Note	1	O-Ring (Note: Use Item 100)	
10	See Note	1	Ring, Back-up (Note: Use Item 100)	
11	See Note	1	O-Ring (Note: Use Item 100)	
12	70003658	1	Piston	
13	See Note	1	Seal (Note: Use Item 100)	
14	See Note	1	Ring, Wear (Note: Use Item 100)	
15	See Note	1	O-Ring (Note: Use Item 100)	
16	70003657	1	Nut	
17	70003118	4	Bearing - 1001146521 Cylinders	
17	0961947	4	Bearing - 1001132054 Cylinders	
18	70003656	NLA	Cartridge, Solenoid Valve - 1001132054 Cylinders (Use p/n 70004233) (Note: No Service Parts Available)	
18	70004233	1	Cartridge, Solenoid Valve - 1001146521 Cylinders (Note: No Service Parts Available)	
19	70003655	1	Cartridge, Check Valve - 1001132054 Cylinder (Note: No Service Parts Available)	
19	70004232	1	Cartridge, Check Valve - 1001146521 Cylinder (Note: No Service Parts Available)	
21	70023370	2	Plug	
22	2220371	2	Fitting, Straight JIC/ORB (was p/n 70003654)	
23	70004231	1	Orifice (1.6mm) - 1001132054 Cylinders China Assembled Machines	
23	70004231	1	Orifice (1.6mm) - 1001132054 Cylinders USA Assembled Machines	
23	70004231	1	Orifice (1.6mm) - 1001146521 Cylinders	
100	70003653	1	Seal Kit - 1001132054 Cylinder (Includes Item 4, 6, 7, 9-11 & 13-15)	
100	70004236	1	Seal Kit - 1001146521 Cylinder (Includes Item 4, 6, 7, 9-11 & 13-15)	
		Ref	MANUAL DESCENT COMPONENTS	
	1001147250	Ref	Manual Descent Components (Machines with LSS)	H
	1001195576	Ref	Manual Descent Components (Machines without LSS)	B
201	1061034	1	Cable, Pull	
201A		Ref	T-Handle Options:	
201A	7020218	1	T-Handle (with 1/4-20 Threads)	
201A	70001878	1	T-Handle (with M5 Threads)	

SECTION 5 - CYLINDER

ITEM	PART NUMBER	QTY	DESCRIPTION	REV
202	3321402	1	Nut 1/4-18	
203	4160078	1	Spring	
204	1001147340	2	Sensor, Pressure (Machines with LSS Only) (Prior to SN B200042769)	
204	1001227516	2	Sensor, Pressure (Machines with LSS Only) (SN B200042769 to Present)	

SECTION 5 - CYLINDER

FIGURE 5-2. STEER CYLINDER ASSEMBLY



ART_3121686-5-2

SECTION 5 - CYLINDER

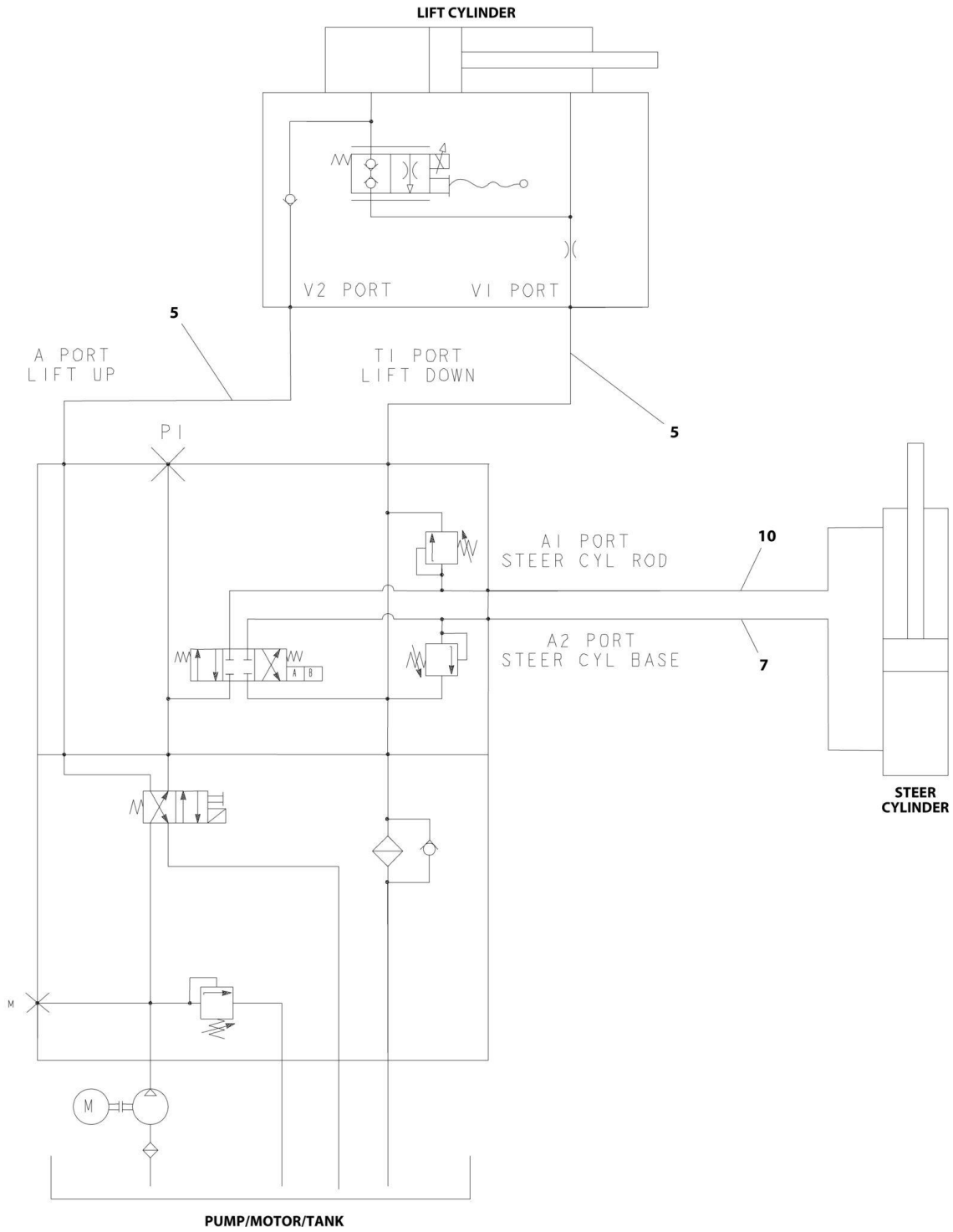
FIGURE 5-2. STEER CYLINDER ASSEMBLY

ITEM	PART NUMBER	QTY	DESCRIPTION	REV
	1001132702	Ref	STEER CYLINDER ASSEMBLY	C
		Ref	Note: Original Cylinder May Have Been Replaced with Service Replacement. Identify PN Stamped on Cylinder Before Ordering Parts.	
	1001132701	NSS	Steer Cylinder Sub-Assembly (without Fittings/Bearing) (Use p/n 1001132702)	B
1	70003632	1	Rod	
2	70003633	1	Ring, Wiper	
3	70003634	1	Head	
4	70003635	1	Seal	
5	70003636	2	Insert, Locking	
6	70003637	1	O-Ring	
7	70003638	2	Ring, Wear	
8	70003639	1	Barrel	
9	70003640	1	Piston	
10	70003641	1	Seal	
11	70003642	1	Ring, Wear	
12	70003643	1	Nut	
13	70003644	1	O-Ring	
14	See Note	1	Seal Kit - Cylinder (Note: Purchase Individual Components)	
101	0440263	1	Bearing	
102	2220415	2	Fitting, Straight JIC/ORB	

SECTION 6 - HYDRAULIC

SECTION 6 - HYDRAULIC

FIGURE 6-1. HYDRAULIC COMPONENTS



SECTION 6 - HYDRAULIC

FIGURE 6-1. HYDRAULIC COMPONENTS

ITEM	PART NUMBER	QTY	DESCRIPTION	REV
	1001182024	Ref	HYDRAULIC INSTALLATION	C
5	1001131132	2	Hose (Lift)	
7	2752433	1	Hose (Steer)	
10	1001181743	1	Hose (Steer)	

SECTION 7 - ELECTRICAL

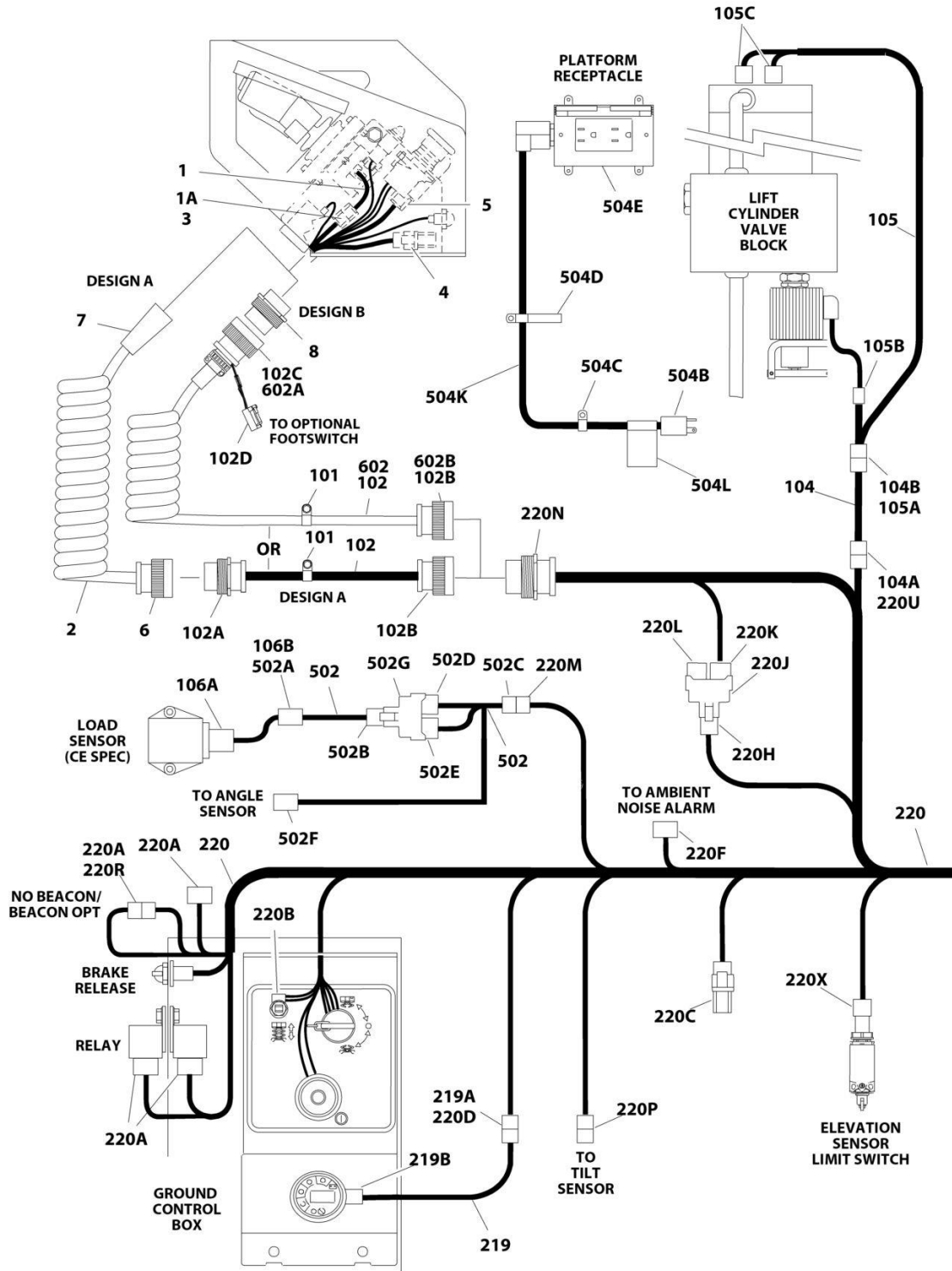
SECTION 7 - ELECTRICAL

FIGURE 7-1. ELECTRICAL DIAGRAM LIST

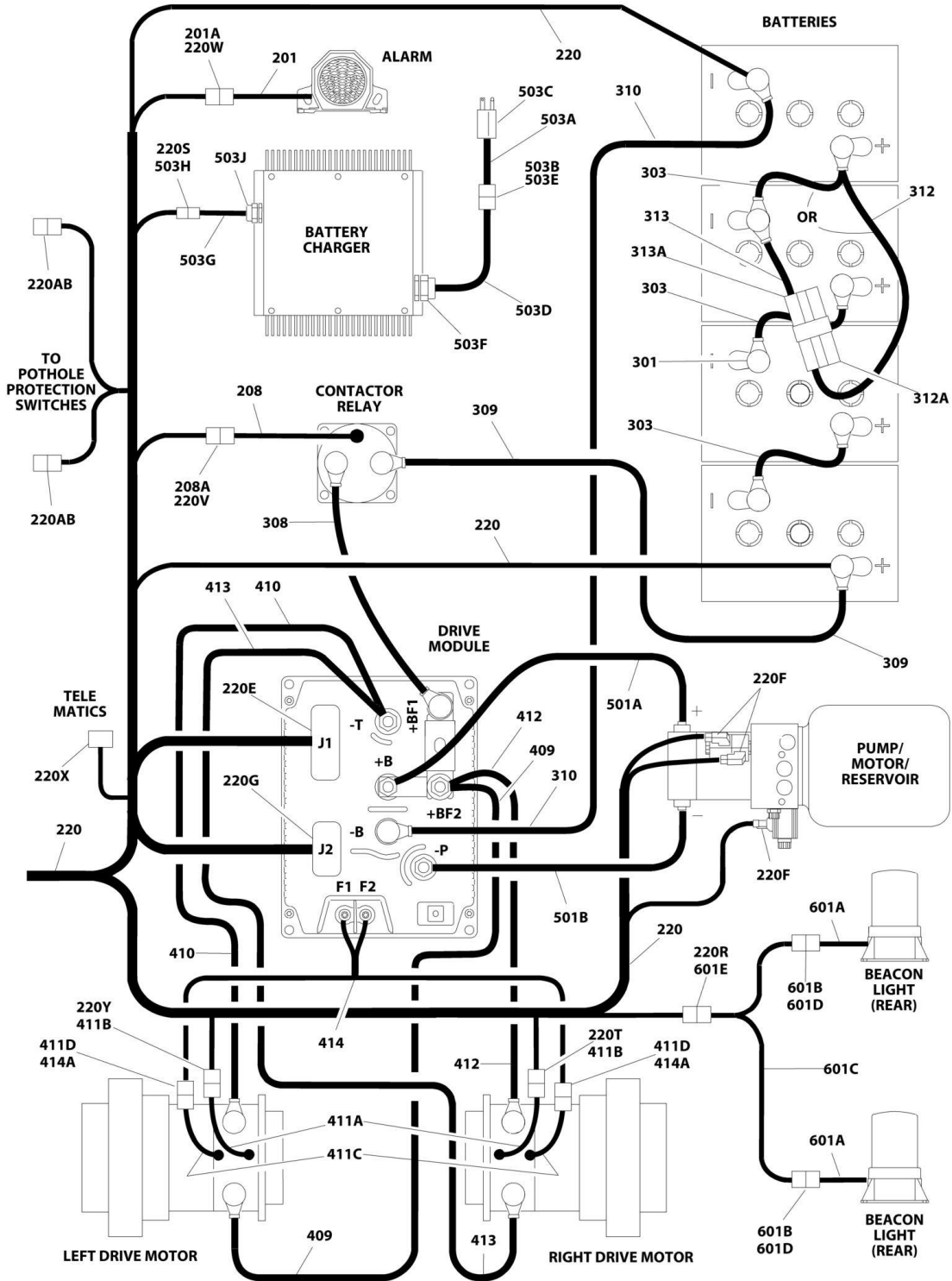
ITEM	PART NUMBER	QTY	DESCRIPTION	REV
		Ref	ELECTRICAL DIAGRAM LIST	
		Ref	Note: See Service Manual for Schematics. Contact JLG Service/Parts Department for information on Diagrams.	
	1001129844	Ref	Electrical Schematic with LSS (See Service Manual)	
	1001189894	Ref	Electrical Schematic without LSS (See Service Manual)	

SECTION 7 - ELECTRICAL

FIGURE 7-2. ELECTRICAL COMPONENTS INSTALLATION



SECTION 7 - ELECTRICAL



SECTION 7 - ELECTRICAL

FIGURE 7-2. ELECTRICAL COMPONENTS INSTALLATION

ITEM	PART NUMBER	QTY	DESCRIPTION	REV
		Ref	CONSOLE BOX COMPONENTS	
	1001128685	Ref	Console Box with HDP Connector Components (Without LSS) (Design A)	G
	1001146985	Ref	Console Box with HDP Connector Components (With LSS) (Design A)	B
	1001173556	Ref	Console Box with HD Connector Components (Without LSS) (Design A)	B
	1001173559	Ref	Console Box with HD Connector Components (With LSS) (Design A)	B
	1001195563	Ref	Console Box with HD Connector Components (Without LSS) (Design B)	A
	1001195568	Ref	Console Box with HD Connector Components (With LSS) (Design B)	A
1	See Note	1	Joystick Harness (Note: Not Available As Individual part. Purchase complete Controller - See PLATFORM SECTION)	
1A	4460266	1	Receptacle, Female - 9 Position	
1A	4460226	8	Socket, Female	
2		Ref	Platform Box Harness Options:	
2	1001129910	1	Console Harness (Box with HDP Connector & with 2 Indicator Lights) (Without LSS) (Design A)	E
2	1001147174	1	Console Harness (Box with HDP Connector & with 3 Indicator Lights) (With LSS) (Design A)	C
2	1001173555	1	Console Harness (Box with HD Connector & with 2 Indicator Lights) (Without LSS) (Design A)	B
2	1001195344	1	Console Harness (Box with HD Connector & with 2 Indicator Lights) (Without LSS) (Design B)	A
2	1001173558	1	Console Harness (Box with HD Connector & with 3 Indicator Lights) (With LSS) (Design A)	B
2	1001195352	1	Console Harness (Box with HD Connector & with 3 Indicator Lights) (With LSS) (Design B)	A
3	4460265	1	Plug, Male - 9 Position	
3	4460267	7	Pin, Male	
4	4460851	1	Plug, Bussbar - 8 Position	
4	4460852	1	Receptacle, Female - 8 Position	
4	4460465	7	Socket, Female	
4	4460466	1	Plug, Sealing	
5	4460418	1	Receptacle, Female - 6 Position	
5	4460419	3	Terminal	
6	1001136999	1	Connector - 21 Position (HDP) (Design A)	
6	1001173553	1	Connector - 21 Position (HD) (Design A)	
6	1001126010	15	Pin, Male (Gold)	
6	4460518	6	Plug, Sealing	
7	See Note	1	Connector, Strain Relief (Design A) (Note: Not Available for Purchase)	
8	1001116936	1	Connector - 23 Position (HD) (Design B)	
8	4460464	15	Pin, Male	
8	4460466	AR	Plug, Sealing	
		Ref	PLATFORM TO GROUND CABLES INSTALLATION	
	1001147248	Ref	Platform To Ground Cables Installation (Console Box with HDP Connector) (Design A) (ANSI Export Specs & Australian Spec)	D
	1001173564	Ref	Platform To Ground Cables Installation (Console Box with HD Connector) (Design A) (China Specs)	B

SECTION 7 - ELECTRICAL

ITEM	PART NUMBER	QTY	DESCRIPTION	REV
	1001195964	Ref	Platform To Ground Cables Installation (Console Box with HD Connector) (Design B) (ANSI Export Specs & China Specs)	A
	1001195965	Ref	Platform To Ground Cables Installation (Console Box with HD Connector) (Design B) (ANSI Export Specs & Japanese Specs)	A
	1001147251	Ref	SCISSOR ARMS HARNESES	G
101	1321385	1	Clamp (Located on Side of Platform)	
102		Ref	Platform to Ground Harness Options:	
102	1001146531	1	Platform to Ground Harness (Console Box with HDP Connector) (Design A) (ANSI Export Specs & Australian Specs)	D
102	1001173562	1	Platform to Ground Harness (Console Box with HD Connector) (Design A) (China Specs)	B
102	1001195353	1	Platform to Ground Harness (Console Box with HD Connector) (Design B) (ANSI Export Specs & China Specs)	C
102	1001195395	1	Platform to Ground Harness (Console Box with HD Connector) (Design B) (ANSI Export Specs & Japanese Specs)	C
102A	1001137000	1	Connector - 21 Position (Console Box with HDP Connector) (Design A) (ANSI Export Specs & Australian Specs)	
102A	1001173554	1	Connector - 21 Position (Console Box with HD Connector) (Design A) (China Specs)	
102A	1001126008	AR	Socket, Female (Gold)	
102A	4460518	AR	Plug, Sealing	
102A	4460497	1	Nut, Panel	
102A	4460496	1	Lockwasher	
102B	1001136999	1	Connector - 21 Position (Design A and Design B)	
102B	1001126010	AR	Pin, Male (Gold)	
102B	4460518	AR	Plug, Sealing	
102C	4460462	1	Connector - 23 Position (Console Box with HD Connector) (Design B) (ANSI Export Specs, China Specs & Japanese Specs)	
102C	4460465	16	Socket, Female	
102C	4460466	7	Plug, Sealing	
102C	4460473	1	Clamp, Cable	
102D	4460891	1	Plug, Male - 2 Position (Design B) (ANSI Export Specs & Japanese Specs Only)	
102D	4460465	2	Socket, Female (ANSI Export Specs & Japanese Specs Only)	
104	1001153879	1	Lift Cylinder Jumper Harness	A
104A	4460899	1	Receptacle, Female - 6 Position	
104A	4460464	6	Pin, Male	
104B	4460894	1	Plug, Male - 6 Position	
104B	4460465	AR	Socket, Female	
105	1001156226	1	Lift Cylinder Harness	A
105A	4460899	1	Receptacle, Female - 6 Position	
105A	4460464	6	Pin, Male	
105B	4460891	1	Plug, Male - 2 Position	
105B	4460465	2	Socket, Female	
105C	4460539	2	Plug, Male - 2 Position	
105C	4460465	6	Socket, Female	
106	1001146537	1	Load Sensor Harness	F
106A	4460894	1	Plug, Male - 6 Position	
106A	4460465	5	Socket, Female	
106A	4460466	1	Plug, Sealing	
106B	4460899	1	Receptacle, Female - 6 Position	
106B	4460464	5	Pin, Male	

SECTION 7 - ELECTRICAL

ITEM	PART NUMBER	QTY	DESCRIPTION	REV
106B	4460466	1	Plug, Sealing	
	1001147255	Ref	GROUND CONTROL INSTALLATION	B
201	0140043	1	Alarm Harness (Includes Alarm)	
201A	4460536	1	Receptacle, Female - 3 Position	
201A	4460464	2	Pin, Male	
208	3740150	1	Contact/Relay Harness (Includes Contact/Relay)	
208A	4460891	1	Plug, Male - 2 Position	
208A	4460465	2	Socket, Female	
219	1001130619	1	MDI Jumper Harness	B
219A	4460321	1	Plug, Male - 4 Position	
219A	4460226	4	Socket, Female	
219B	4460868	1	Plug, Male - 6 Position	
219B	4460877	4	Terminal	
219B	1001094105	1	Boot	
220	1001146534	1	Chassis Harness	K
220A	1001117057	2	Plug, Relay	
220A	4460375	4	Terminal	
220B	4460418	1	Receptacle, Female - 6 Position	
220B	4460419	3	Terminal	
220C	4460851	1	Plug, Bussbar - 8 Position	
220C	4460852	1	Receptacle, Female - 8 Position	
220C	4460465	8	Socket, Female	
220D	4460761	1	Receptacle, Female - 4 Position	
220D	4460227	4	Pin, Male	
220E	4460873	1	Plug, Male - 35 Position	
220E	4460871	AR	Socket, Female	
220E	4460905	AR	Plug, Sealing	
220F	4460891	AR	Plug, Male - 2 Position	
220F	4460465	AR	Socket, Female	
220G	1001096138	1	Plug, Male - 23 Position	
220G	4460871	23	Socket, Female	
220H	1001116812	1	Plug, Male - 3 Position	
220H	4460944	3	Socket, Female	
220J	4460945	1	Bulkhead - 3 Way	
220K	1001116812	1	Plug, Male - 3 Position	
220K	4460944	3	Socket, Female	
220L	1001130615	NLA	Plug, Male - 3 Position (Use p/n 1001129408 - Includes Wedge Lock)	
220M	4460894	1	Plug, Male - 6 Position	
220M	4460465	5	Socket, Female	
220M	4460466	1	Plug, Sealing	
220N	1001137000	1	Connector - 21 Position	
220N	1001126008	AR	Socket, Female (Gold)	
220N	4460518	AR	Plug, Sealing	
220N	4460497	1	Nut, Panel	
220N	4460496	1	Lockwasher	
220P	4460539	1	Plug, Male - 3 Position	
220P	4460465	3	Socket, Female	
220R	4460897	AR	Receptacle, Female - 2 Position	
220R	4460464	AR	Pin, Male	
220S	4460320	1	Plug, Male - 2 Position	
220S	4460226	2	Socket, Female	

SECTION 7 - ELECTRICAL

ITEM	PART NUMBER	QTY	DESCRIPTION	REV
220T	4460897	1	Receptacle, Female - 2 Position	
220T	4460464	2	Pin, Male	
220U	4460894	1	Plug, Male - 6 Position (ANSI Export and CE Specs)	
220U	4460465	AR	Socket, Female	
220V	4460897	1	Receptacle, Female - 2 Position	
220V	4460464	2	Pin, Male	
220W	4460539	1	Plug, Male - 3 Position	
220W	4460465	3	Socket, Female	
220X	4460884	AR	Plug, Male - 4 Position	
220X	4460465	AR	Socket, Female	
220Y	4460897	1	Receptacle, Female - 2 Position	
220Y	4460464	2	Pin, Male	
220AB	4460884	2	Plug, Male - 4 Position	
220AB	4460465	4	Socket, Female	
220AB	4460466	4	Plug, Sealing	
		Ref	BATTERY CABLES INSTALLATION	
	1001147262	Ref	Batteries - Standard with Disconnect	C
	1001134434	Ref	Batteries - Standard without Disconnect	D
	1001142745	Ref	Batteries - AGM with Disconnect	C
	1001151270	Ref	Batteries - AGM without Disconnect	B
301	0100051	AR	Grease, Terminal	
303	1060998	AR	Cable, Battery	
303	See Note	AR	Boot (Red) (1 per Cable) (Note: Not Available for Purchase)	
303	See Note	AR	Boot (Black) (1 per Cable) (Note: Not Available for Purchase)	
308	1001130595	1	Cable, Battery (Contactor to Module +BF1)	
309	1001133174	1	Cable, Battery	
309	See Note	2	Boot (Red) (Note: Not Available for Purchase)	
310	1001133175	1	Cable, Battery (Battery - to Module -B)	
310	See Note	2	Boot (Black) (Note: Not Available for Purchase)	
312	1001146703	1	Cable, Disconnect (+)	A
312A	4460490	1	Connector, Anderson	
313	1001146704	1	Cable, Disconnect (-)	A
313A	4460490	1	Connector, Anderson	
	1001133269	Ref	DRIVE CABLES INSTALLATION	G
409	1001130602	1	Cable (LH Motor Armature + to Module +BF2)	
409	See Note	1	Boot (Red) (Note: Not Available for Purchase)	
410	1001130603	1	Cable (LH Motor Armature - to Module -T)	
410	See Note	1	Boot (Black) (Note: Not Available for Purchase)	
411		Ref	Motor Harness Options:	
411A	See Note	2	Brake Harness (Note: Not Available for Purchase)	
411B	4460891	2	Plug, Male - 2 Position (1 Per Harness)	
411B	4460465	4	Socket, Female (2 Per Harness)	
411C	See Note	2	Field Harness (Note: Not Available for Purchase)	
411D	4461017	2	Receptacle, Female - 2 Position (1 per Harness)	
411D	4460508	4	Pin, Male (2 per Harness)	
412	1001133258	1	Cable (RH Motor Armature + to Module +BF2)	
412	See Note	1	Boot (Red) (Note: Not Available for Purchase)	
413	1001133259	1	Cable (RH Motor Armature + to Module -T)	
413	See Note	1	Boot (Black) (Note: Not Available for Purchase)	
414	1001130591	1	Cable (LH/RH Motors to Module F1/F2)	
414A	4461018	2	Plug, Male - 2 Position	

SECTION 7 - ELECTRICAL

ITEM	PART NUMBER	QTY	DESCRIPTION	REV
414A	4460509	4	Socket, Female	
		Ref	STANDARD HARNESS COMPONENTS	
501		Ref	Pump Motor Cable Components	
501A	1001133256	1	Motor Cable (Pump Motor + to Module +B)	
501B	1001133257	1	Motor Cable (Pump Motor - to Module -P)	
502	1001181200	Ref	Can Tilt Sensor Harness	A
502A	4460884	1	Plug, Male - 4 Position	
502A	4460465	4	Socket, Female	
502B	1001116812	1	Plug, Male - 3 Position	
502B	4460944	3	Socket, Female	
502C	4460899	1	Receptacle, Female - 6 Position	
502C	4460464	5	Pin, Male	
502C	4460466	1	Plug, Sealing	
502D	4460539	1	Plug, Male - 2 Position	
502D	4460944	3	Socket, Female	
502E	1001116812	1	Plug, Male - 3 Position	
502E	4460944	3	Socket, Female	
502F	4460894	1	Plug, Male - 6 Position	
502F	4460465	5	Socket, Female	
502F	4460466	1	Plug, Sealing	
502G	4460945	1	Connector, 3 Way	
503		Ref	Battery Charger Harness Components	
503A		Ref	AC Input Cable Options:	
503A	1001133258	1	AC Input Cable with Dealer/Customer Installed Plug	
503A	1001172010	1	AC Input Cable with 420V Plug (Chinese Specs)	
503A	1001202982	1	AC Input Cable with 110V Plug (Japanese Specs)	
503A	1001221984	1	AC Input Cable with Korean Plug (Korean Specs)	
503A	0275664	1	AC Input Cable with CEE7 Side Ground Plug (ANSI Export Specs)	
503B	See Note	1	Plug, Male (Note: Use Item 503A)	
503C	See Note	1	Plug for Cable with Dealer/Customer Installed Plug (Note: Not Available form JLG - Purchase Locally)	
503D	See Note	1	Battery Charger AC Input Cable (Note: Not Available for Purchase)	
503E	See Note	1	Receptacle, Female (Note: Not Available for Purchase)	
503F	See Note	1	Connector, Strain Relief (Note: Not Available for Purchase)	
503G	See Note	1	Battery Charger DC Output Cable (Note: Not Available for Purchase)	
503H	4460424	1	Receptacle, Female - 2 Position	
503H	4460227	2	Pin, Male	
503J	See Note	1	Connector, Strain Relief (Note: Not Available for Purchase)	
504		Ref	AC Box at Platform Installation:	
504	1001133253	Ref	AC Box at Platform with 110V Factory Installed Plug	D
504	1001133254	Ref	AC Box at Platform with Dealer/Customer Installed Plug	D
504	1001188180	Ref	AC Box at Platform with 220V Factory Installed China Plug	A
504	1001197947	Ref	AC Box at Platform with Dealer/Customer Installed Plug (Australian Spec Only)	A
504A		Ref	Decal - AC Power (Not Shown - Located near Item 504B)	
504A	1703464	1	110V/120V	
504A	3252507	1	220V	
504B		Ref	Plug Option:	
504B	4460138	1	Plug, Factory Installed 110V	

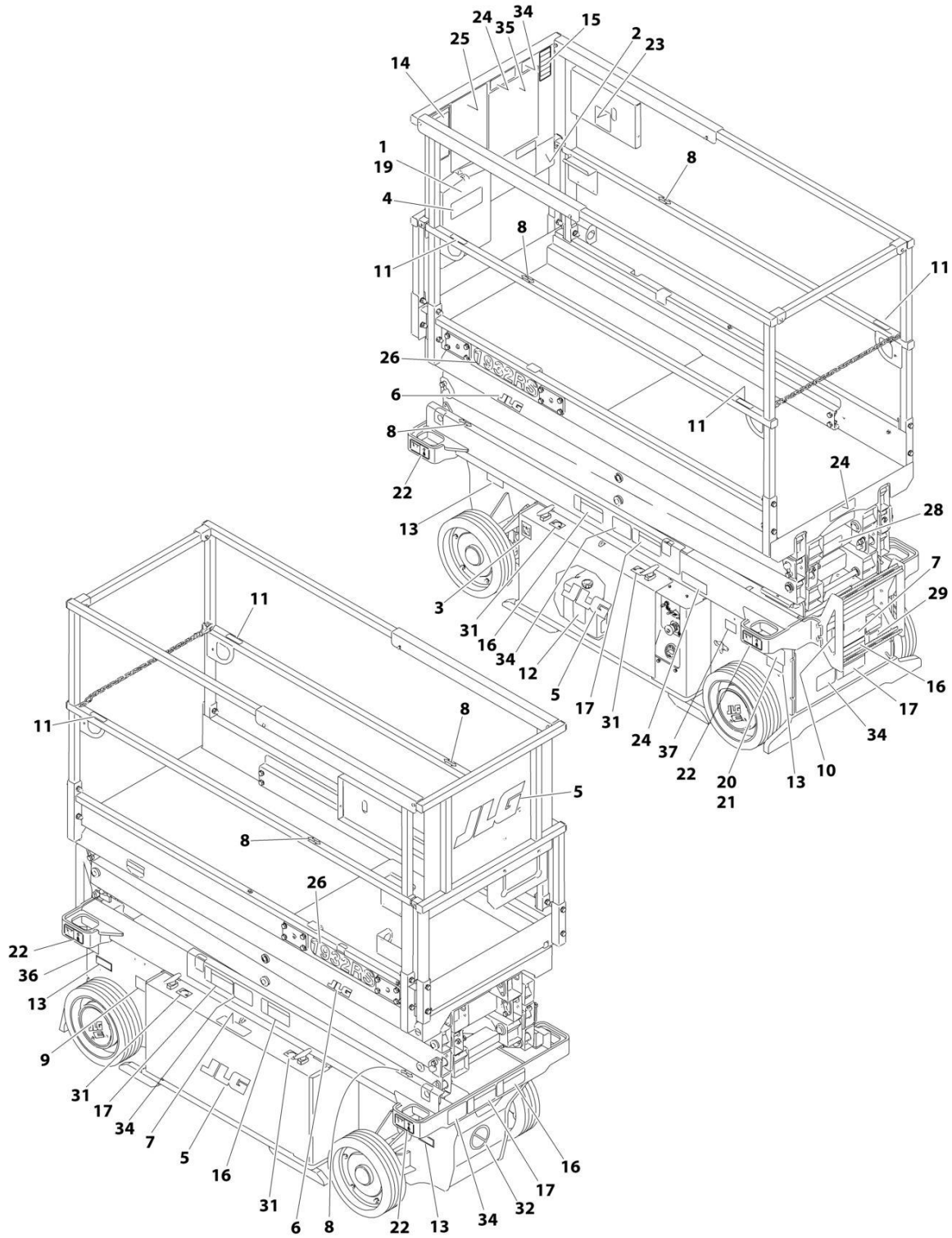
SECTION 7 - ELECTRICAL

ITEM	PART NUMBER	QTY	DESCRIPTION	REV
504B	See Note	1	Plug, Dealer/Customer (Note: Not Available from JLG - Purchase Locally)	
504B	1001187816	1	Plug, Factory Installed 220V China Plug	
504C	85941016	AR	Clamp	
504D	1001094180	1	Clamp	
504E	1001130219	1	110V GFI Receptacle Box Kit (Note: Only used on Installations with 110V factory installed plug. Consult your dealer for all other installations)	
504E	1001188116	1	220V China Receptacle Box	
504F	0861731	1	Box, Receptacle (110V)	
504F	See Note	NSS	Box, Receptacle (220V China Box) (Note: Use p/n 1001188116)	
504G	1671207	1	Cover, Box (110V)	
504G	See Note	NSS	Cover Box (220V China Box) (Note: Use p/n 1001188116)	
504H	4460346	1	Receptacle (110V)	
504H	See Note	NSS	Receptacle (220V China Box) (Note: Use p/n 1001188116)	
504J	1001131497	1	Connector, Strain Relief	
504K	1001133937	1	AC Cable (AC Power to Platform)	
504K	1001197948	1	AC Cable (AC Power to Platform) (Australian Spec Only)	
504L	1001102258	1	Decal - AC Power to Platform	
		Ref	OPTIONAL HARNESESSES	
601		Ref	Beacon Light Harness Components	
601A	2920161	2	Beacon Light Harness (Includes Beacon Light)	
601B	4460891	2	Plug, Male - 2 Position (1 Per Harness)	
601B	4460465	4	Socket, Female (2 Per Harness)	
601C	1001134846	1	Beacon Light Jumper Harness	
601D	4460897	2	Receptacle, Female - 2 Position (1 Per Harness)	
601D	4460464	4	Pin, Male (2 Per Harness)	
601E	4460891	2	Plug, Male - 2 Position	
601E	4460465	4	Socket, Female	
602	1001195414	1	Platform Jumper Harness (23 Pin Connector to 21 Pin Connector)	
602A	4460462	1	Connector - 23 Position	
602A	4460465	16	Socket, Female	
602A	4460466	7	Plug, Sealing	
602A	4460473	1	Clamp, Cable	
602B	1001136999	1	Connector - 21 Position	
602B	1001126010	16	Pin, Male (Gold)	
602B	4460518	5	Plug, Sealing	
		Ref	TOOLS FOR SERVICE (NOT SHOWN)	
	7002821	1	Crimper, Wire (Not Shown)	
	7002823	1	Extractor, Pin - Universal (Not Shown)	
	4460467	AR	Extractor, Pin #16 Gauge (Not Shown)	
	4460510	AR	Extractor, Pin #12 Gauge (Not Shown)	
	7002828	1	Stripper, Wire (Not Shown)	
	2901443	1	Analyzer Kit (Not Shown)	
	1600244	1	Analyzer	
	1060633	1	Cable, Analyzer	
	4460321	2	Plug, Male - 4 Position	
	4460226	8	Socket, Female	
	1001137005	1	Software Cable Kit	

SECTION 8 - DECALS

SECTION 8 - DECALS

FIGURE 8-1. DECAL INSTALLATION (ANSI SPEC)



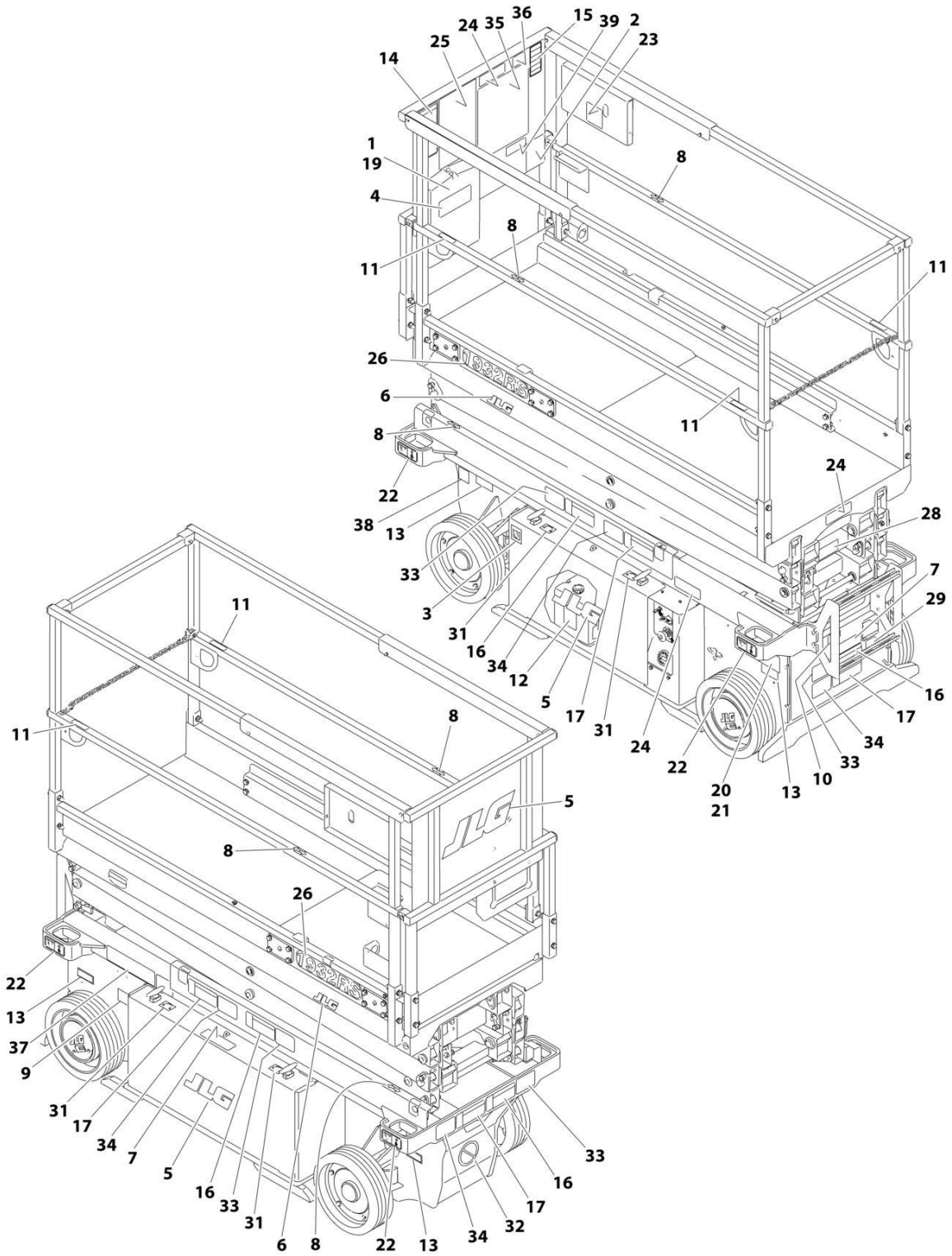
SECTION 8 - DECALS

FIGURE 8-1. DECAL INSTALLATION (ANSI SPEC)

ITEM	PART NUMBER	QTY	DESCRIPTION	REV
		Ref	Decals Installation	
	1001147421	Ref	JLG Decals	A
	1001132946	Ref	ANSI Decals	M
	1001130044	Ref	Optional Decals	
1	0860520	1	Box, Manual Storage	
2	1001131270	1	Decal - Patent	
3	1701504	1	Decal - Hydraulic Oil	
4	1701509	1	Decal - Manual Reference	
5		Ref	Decal - JLG Options:	
5	1702773	3	5in/12.7cm Height	
5	1705754	3	3.5in/9cm Height	
6	1703177	2	Decal - JLG	
7	1703813	2	Decal - Warning Battery Vent	
8	1703819	4	Decal - Directional Arrow	
9	1703822	1	Decal - Manual Descent	
10	1704016	1	Decal - Forklift	
11	1704277	3	Decal - Attach Lanyard Here	
12	1704412	1	Decal - Hydraulic Oil	
13	1705647	4	Decal - Max Tire Load	
14	1705679	1	Decal - Inspection	
15	1705686	1	Decal - Legend	
16	1705694	4	Decal - Crushing Hazard	
17	1705695	4	Decal - Danger Electrocution	
19	2080040	4	Fastener	
20	2080057	4	Fastener	
21	See Note	NSS	Nameplate, Serial Number (Note: Not Available for Purchase)	
22	1001162864	4	Decal - Lift Point/Tie Down	
23	1001132359	1	Decal - Control Box Location	
24	1705699	3	Decal - Capacity	
25	1001132376	1	Decal - Danger/Warning	
26	1001182061	2	Decal - Model Designation	
28	1001137394	Ref	Decal - Safety Prop Options:	
29	1001134280	1	Decal - Charger Label	
31	1706350	4	Decal - Cover	
32	1703072	1	Decal - No Forklift	
34	1001092071	1	Decal - No Pipe Racks Allowed	
35	1001146794	1	Decal - Battery Maintenance	
36	1001223055	1	Decal - Yearly Inspection	
37	1001228370	1	Decal - ICES	
38	1001231801	1	Decal - Warning Prop 65	

SECTION 8 - DECALS

FIGURE 8-2. DECAL INSTALLATION (ANSI EXPORT SPEC)



SECTION 8 - DECALS

FIGURE 8-2. DECAL INSTALLATION (ANSI EXPORT SPEC)

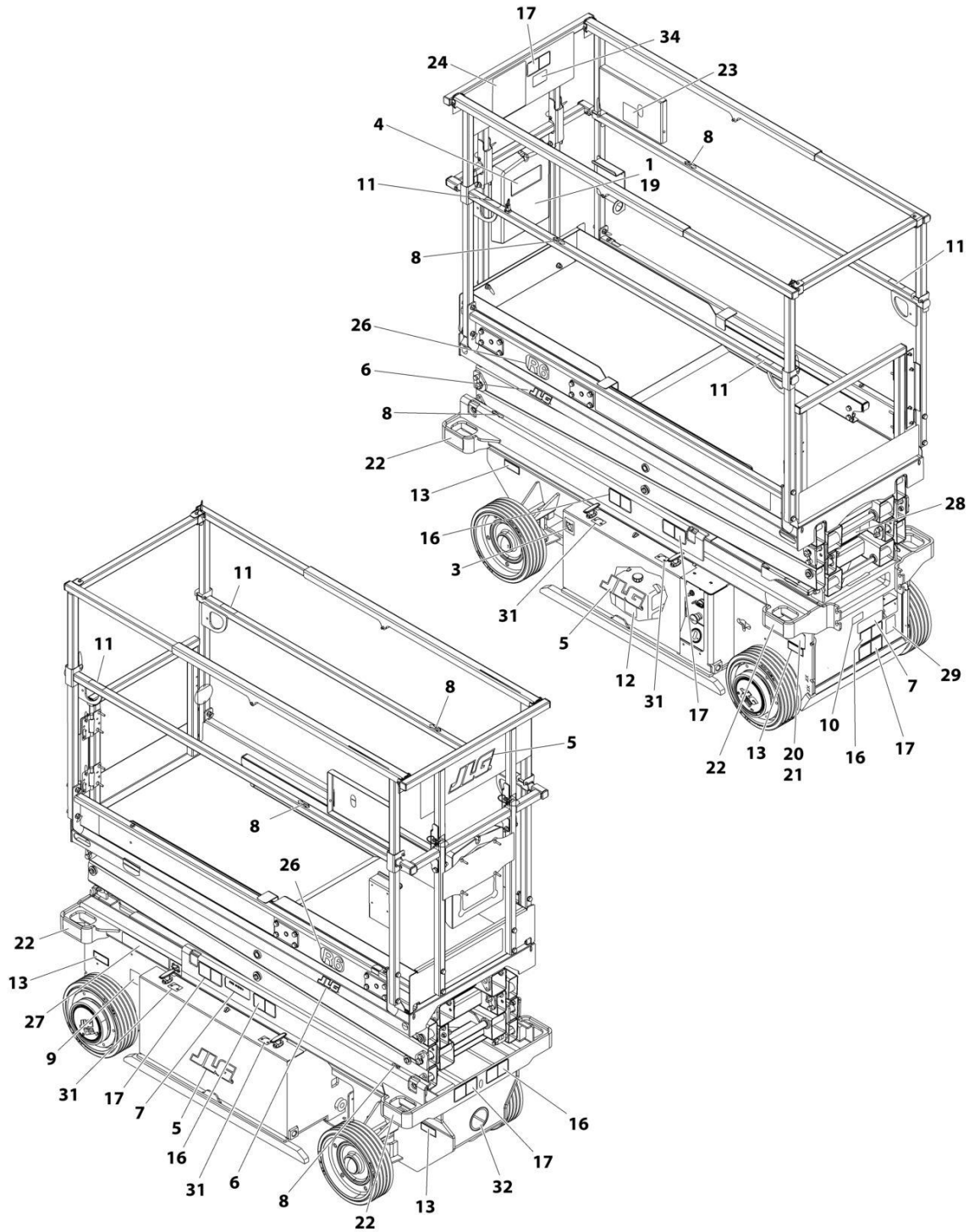
ITEM	PART NUMBER	QTY	DESCRIPTION	REV
		Ref	DECALS INSTALLATION - ANSI EXPORT SPECS	
	1001147421	Ref	JLG Decals	A
	1001132949	Ref	Brazilian Spec Decals (Dual Language - Portuguese and Spanish)	J
	1001132948	Ref	Chinese Spec Decals (Dual Language - Chinese and English)	J
	1001132951	Ref	CSA Spec Decals (Dual Language - French and English)	K
	1001132947	Ref	Korean Spec Decals (Dual Language - Korean and English)	J
	1001132950	Ref	Latin American Spec Decals (Dual Language - Spanish and English)	J
	1001130044	Ref	Optional Decals	
1	0860520	1	Box, Manual Storage	
2		Ref	Decal - Patent Options:	
2	Not Required	0	All Specs except CSA Spec	
2	1001131270	1	CSA Spec Only	
3	1701504	1	Decal - Hydraulic Oil	
4	1701509	1	Decal - Manual Reference	
5		Ref	Decal - JLG Options:	
5	1702773	3	5in/12.7cm Height	
5	1705754	3	3.5in/9cm Height	
6	1703177	2	Decal - JLG	
7		Ref	Decal - Warning Battery Vent Options:	
7	1704341	2	Brazilian Spec	
7	1704344	2	Chinese Spec	
7	1704340	2	CSA Spec	
7	1703856	2	Korean Spec	
7	1704339	2	Latin American Spec	
8	1703819	4	Decal - Directional Arrow	
9	1703822	1	Decal - Manual Descent	
10	1704016	1	Decal - Forklift	
11	1704277	3	Decal - Attach Lanyard Here	
12	1704412	1	Decal - Hydraulic Oil	
13	1705647	4	Decal - Max Tire Load Options:	
14		Ref	Decal - Inspection Options:	
14	1705679	1	All Specs Except Brazilian Spec	
14	1705727	1	Brazilian Spec Only	
15		Ref	Decal - Legend Options:	
15	1705726	1	Brazilian Spec	
15	1705946	1	Chinese Spec	
15	1705723	1	CSA Spec	
15	1706057	1	Korean Spec	
15	1705720	1	Latin American Spec	
16		Ref	Decal - Crushing Hazard Options:	
16	1705694	4	All Specs Except Brazilian Spec	
16	1705722	4	Brazilian Spec Only	
17		Ref	Decal - Danger Electrocution Options:	
17	1705695	4	All Specs Except Brazilian Spec	
17	1703834	4	Brazilian Spec Only	
19	2080040	4	Fastener	
20	2080057	4	Fastener	
21	See Note	NSS	Nameplate, Serial Number (Note: Not available for purchase)	

SECTION 8 - DECALS

ITEM	PART NUMBER	QTY	DESCRIPTION	REV
22	1001162864	4	Decal - Lift Point/Tie Down	
23	1001132359	1	Decal - Control Box Location	
24	1705699	3	Decal - Capacity	
25		Ref	Decal - Danger/Warning Options:	
25	1001132376	1	All Specs except Brazilian Spec	
25	1001132396	1	Brazilian Spec Only	
26	1001182061	2	Decal - Model Designation	
28	1001137394	1	Decal - Safety Prop	
29	1001134280	1	Decal - Charger Label	
31	1706350	4	Decal - Cover	
32	1703072	1	Decal - No Forklift	
33		Ref	Decal - Crushing Options:	
33	1705725	4	Brazilian Spec	
33	1705943	4	Chinese Spec	
33	1705717	4	CSA Spec	
33	1706052	4	Korean Spec	
33	1705725	4	Latin American Spec	
34		Ref	Decal - Danger Electrocution Options:	
34	1705724	4	Brazilian Spec	
34	1705944	4	Chinese Spec	
34	1705718	4	CSA Spec	
34	1706056	4	Korean Spec	
34	1705724	4	Latin America Spec	
35		Ref	Decal - Danger/Warming Options:	
35	1705719	1	Brazilian Spec	
35	1705945	1	Chinese Spec	
35	3252098	1	CSA Spec	
35	1706053	1	Korean Spec	
35	1705719	1	Latin America Spec	
36		Ref	Decal - No Pipe Racks Allowed	
36	1001120623	1	Brazilian Spec	
36	1001120622	1	Chinese Spec	
36	1001192580	1	CSA Spec	
36	1001120621	1	Korean Spec	
36	1001120629	1	Latin America Spec	
37	1001146794	1	Decal - Battery Maintenance	
38		Ref	Decal - Yearly Inspection	
38	1001224052	1	Brazilian Spec	
38	1001224050	1	Chinese Spec	
38	1001228370	1	CSA Spec	
38	1001224048	1	Korean Spec	
38	1001224049	1	Latin American Spec	
39		Ref	Decal - CSA Options:	
39	Not Required	0	All Specs Except CSA Spec	
39	1705303	1	CSA Spec Only	

SECTION 8 - DECALS

FIGURE 8-3. DECAL INSTALLATION (CE AND AUSTRALIAN SPEC)



SECTION 8 - DECALS

FIGURE 8-3. DECAL INSTALLATION (CE AND AUSTRALIAN SPEC)

ITEM	PART NUMBER	QTY	DESCRIPTION	REV
		Ref	DECALS INSTALLATION - CE SPECS	
	1001181982	Ref	Australian Spec Decals	B
	1001142923	Ref	CE Spec Decals	G
	1001147421	Ref	JLG Decals	A
	1001130044	Ref	Optional Decals	
1	0860520	1	Box, Manual Storage	
3	1701504	1	Decal - Hydraulic Oil	
4	1701509	1	Decal - Manual Reference	
5	1705754	3	Decal - JLG	
6	1703177	2	Decal - JLG	
7	1705670	2	Decal - Warning Battery Vent	
8	1703819	4	Decal - Directional Arrow	
9	1703822	1	Decal - Manual Descent	
10	1704016	1	Decal - Forklift	
11	1704277	3	Decal - Attach Lanyard Here	
12	1704412	1	Decal - Hydraulic Oil	
13	1705647	4	Decal - Max Tire Load	
16	1705673	4	Decal - Crushing Hazard	
17	1705671	5	Decal - Danger Electrocution	
19	2080040	4	Fastener	
20	2080057	4	Fastener	
21	See Note	NSS	Nameplate, Serial Number (Note: Not Available for Purchase)	
22	1001162864	4	Decal - Lift Point/Tie Down	
23	1001132359	1	Decal - Control Box Location	
24	1001146902	1	Decal - Capacity	
26	1001182061	2	Decal - Model Designation	
27	1001146794	1	Decal - Battery Maintenance/Charger Service (Australian Spec)	
27	1001146795	1	Decal - CE (CE Spec)	
28	1001137394	1	Decal - Safety Prop	
29	1001134280	1	Decal - Charger Label	
31	1706350	4	Decal - Cover	
32	1703072	1	Decal - No Forklift	
34	1001092497	1	Decal - No Pipe Racks Allowed	

SECTION 9 - RECOMMENDED SERVICE PARTS STOCK

SECTION 9 - RECOMMENDED SERVICE PARTS STOCK

SECTION 9 - RECOMMENDED SERVICE PARTS STOCK

FIGURE 9-1. RECOMMENDED SERVICE PARTS STOCK

ITEM	PART NUMBER	QTY	DESCRIPTION	REV
		Ref	Note: The following list will service one machine (built to current production per date on the front cover) with emergency repair parts which can be installed in the field. Parts from the list should be replaced when inventory is depleted to keep service parts stock supplied. For further information, contact your JLG dealer or the JLG Industries Parts Department.	
		Ref	STANDARD PARTS	
	3740150	1	Relay	
	70003686	1	Coil	
	70003734	12	Filter, Return	
	70003707	1	Coil	
	70003696	1	Filter	
	70003706	3	Filter	
	70003700	1	Plug, Fill	
	4360328	1	Switch, Toggle	
	4360469	1	Switch, Key	
	2860030	1	Key, Replacement	
	4360475	1	Switch, Mushroom	
	1001097347	1	Relay	
	4360387	1	Switch, Push Button	
	1001134821	1	Latch, Magnetic	
	4360274	1	Switch, Push Button	
	4360345	1	Switch, Toggle	
	1001134438	1	Controller, Drive	
		Ref	VARIABLE PARTS	
	1001129845	1	Module, Drive	
	1001130614	1	Switch, Limit	
	1001109088	1	Switch, Limit	
	1001163095	1	Sensor, Tilt	
	1001151800	1	Sensor, Angle	
	1001227516	1	Sensor, Pressure (Machines With LSS)	

SECTION 10 - SPECIAL OPTIONS

SECTION 10 - SPECIAL OPTIONS

FIGURE 10-1. SPECIAL OPTIONS

ITEM	PART NUMBER	QTY	DESCRIPTION	REV
		Ref	SPECIAL OPTIONS LIST	
		Ref	Note: This list is to accommodate machines ordered with special equipment. Options may not be applicable to all models. For more specific parts information contact JLG Parts Department.	
	1001181747	Ref	Anti-Vandalism Package	
	1001233237	Ref	ClearSky Telematics 3 Wire Connection (ANSI Export Specs) (Factory Installed)	
		Ref	Decal Options:	
	1001229697	Ref	Decal - ClearSky	
	1001215071	Ref	Decal - Control Box Film	
	1001142967	Ref	Decal - Corner Safety Stripes	
		Ref	Electrical Connector Kits	
	1001148902	Ref	Amp Connector Kit	
	1001148903	Ref	Deutsch DT Connector Kit	
	1001148904	Ref	Deutsch HD Connector Kit	
	1001148905	Ref	Packard Connector Kit	
	1001148906	Ref	Various Connector Kit	
		Ref	Fluids	
	2300028	Ref	Fluid, Hydraulic - Mobil DTE 10 Excel 15 (Bulk)	
	70010346	Ref	Fluid, Hydraulic - Mobil DTE 10 Excel 15 (1 Gallon)	
	1001158030	Ref	Footswitch Installation (Japanese Spec Only)	
	1001238838	Ref	Platform Chain Entry Add-on Kit	
	1001212022	Ref	Service Prop (ANSI Export and Australian Specs)	
		Ref	Tools for Service	
	7002821	1	Crimper, Wire	
	7002823	1	Extractor, Pin - Universal	
	4460467	AR	Extractor, Pin #16 Gauge	
	4460510	AR	Extractor, Pin #12 Gauge	
	7004275	1	Installer, Cylinder Seal - 1in	
	7004276	1	Installer, Cylinder Seal - 1-1/2in	
	7002826	1	Installer, Cylinder Seal - 2in	
	1001235925	1	Panel Carrier	
	7016654	1	Screwdriver, Magnetic	
	7002822	1	Screwdriver, Potentiometer	
	7002828	1	Stripper, Wire	
	2901443	1	Analyzer Kit	
	2915230	1	Battery Charger Reprogram Controller Kit	
	1001137005	1	Software Cable Kit	
	1001193039	1	Zapi Module Programming Harness	

PART NUMBER INDEX

SECTION 10 - SPECIAL OPTIONS

0060090.....23	1001120623..... 96	1001133101 11	1001146856....51, 53, 55,
0060091.....23	1001120629..... 96	1001133115 11	57
0100011.... 13, 35, 45, 49,	1001126008.....85, 86	1001133143 21	1001146873..... 51, 55
51, 53, 55, 57	1001126010....84, 85, 89	1001133174 87	1001146882..... 55
0100051..... 33, 87	1001128685....59, 60, 84	1001133175 87	1001146902..... 99
0140030.....59	1001128686..... 59	1001133253 88	1001146979..... 39
0140043..... 13, 86	1001128687..... 59	1001133254 88	1001146980..... 39
0275664.....88	1001129368..... 11	1001133256 88	1001146983..... 59
0400215.....33	1001129549..... 49	1001133257 88	1001146984..... 59
0440263..... 11, 23, 73	1001129754..... 11	1001133258 87, 88	1001146985.... 59, 60, 84
0440264.....44	1001129844..... 80	1001133259 87	1001147174..... 84
0480100.....65	1001129845..... 13, 102	1001133269 13, 39, 87	1001147248..... 84
0630580..... 11, 14	1001129847..... 14	1001133274 13	1001147250..... 44, 69
0641514.....65	1001129910..... 84	1001133512 44	1001147251..... 85
0641609..... 13	1001130029..... 13	1001133937 89	1001147255.... 13, 39, 86
0700615..... 13	100113004493, 95, 99	1001134183 13	1001147262..... 33, 87
0700616.....29	1001130160..... 11	1001134211 44	1001147340..... 70
0700627.....45	1001130219..... 89	1001134280 ... 93, 96, 99	1001147421.... 93, 95, 99
0700835.....59	1001130220..... 39	1001134287 49	1001148902..... 104
0701014.....44	1001130303..... 39	1001134342 49	1001148903..... 104
0701015.....44	1001130590..... 39	1001134434 33, 87	1001148904..... 104
0760408..... 13	1001130591..... 87	1001134438 102	1001148905..... 104
0760606.....59	1001130595..... 87	1001134517 21	1001148906..... 104
0760608....44, 51, 53, 55,	1001130602..... 87	1001134648 49	1001151270..... 33, 87
57	1001130603..... 87	1001134809 44, 45	1001151271..... 33
0760610.... 13, 14, 39, 51,	1001130614..... 13, 102	1001134810 44	1001151272..... 33
53	1001130615..... 86	1001134811 45	1001151800..... 44, 102
0760612..... 13, 21, 23	1001130619..... 86	1001134813 45	1001153879..... 44, 85
0760613.....25, 27	1001131059..... 60	1001134821 51, 102	1001154378..... 55, 57
0760615.... 51, 53, 55, 57	1001131132..... 77	1001134833 45	1001154541....51, 53, 55,
0760815..... 11	1001131270.....93, 95	1001134846 89	57
0760828.....44	1001131275.....51, 53	1001135050 21	1001154564..... 51
0761009.....35	1001131497..... 89	1001136999 ... 84, 85, 89	1001154565..... 51, 53
0761012.....49	1001131628..... 13, 17	1001137000 85, 86	1001154566..... 51
0761014.....21, 49	1001131630.....35, 37	1001137005 89, 104	1001154567..... 51
0761015.....21, 49	1001131963..... 13, 27	1001137394 ... 93, 96, 99	1001154568..... 51
0761016.....23	1001132054.....44, 69	1001140670 45	1001156226..... 44, 85
0761019....51, 53, 55, 57	1001132358..... 59	1001142745 33, 87	1001156546..... 39
0860520.....93, 95, 99	1001132359....93, 96, 99	1001142923 99	1001158030..... 104
0861731.....89	1001132360..... 39	1001142967 104	1001159592....51, 53, 55,
0961947.....69	1001132361..... 59	1001143008 39	57
0962140.....44	1001132362..... 59	1001143051 60	1001159623..... 51, 53
1001091102..... 13, 29	1001132376.....93, 96	1001143914 13	1001162864.... 93, 96, 99
1001092071.....93	1001132396..... 96	1001145779 49	1001163095..... 35, 102
1001092454.....39	1001132471..... 44	1001145913 21	1001172009..... 14, 25
1001092497.....99	1001132472..... 44	1001145960 49	1001172010..... 14, 88
1001094105.....86	1001132473..... 44	1001145961 49	1001173553..... 84
1001094180.....89	1001132474..... 44	1001145962 49	1001173554..... 85
1001096138.....86	1001132475..... 44	1001145964 49	1001173555..... 84
1001097347..... 39, 102	1001132476..... 45	1001146144 39	1001173556.... 59, 60, 84
1001102258.....89	1001132477..... 45	1001146521 44, 69	1001173557..... 60
1001102349..... 11	1001132488..... 44	1001146531 85	1001173558..... 84
1001102351..... 11	1001132489..... 44	1001146534 86	1001173559.... 59, 60, 84
1001102353..... 11	1001132490..... 44	1001146537 85	1001173560..... 60
1001102354..... 11	1001132701..... 73	1001146703 87	1001173562..... 85
1001103258..... 14	1001132702..... 11, 73	1001146704 87	1001173564..... 84
1001109088..... 23, 102	1001132946..... 93	1001146794 ... 93, 96, 99	1001177615..... 44
1001109232.....23	1001132947..... 95	1001146795 99	1001180962..... 13
1001109233.....23	1001132948..... 95	1001146836 55, 57	1001181200..... 35, 88
1001110544.....45	1001132949..... 95	1001146839 55, 57	1001181290..... 21, 33
1001112112.....33	1001132950..... 95	1001146840 55, 57	1001181291..... 33
1001116812..... 86, 88	1001132951..... 95	1001146842 55, 57	1001181292..... 33
1001116936..... 84	1001133065 11, 14	1001146843 55, 57	1001181297..... 35
1001117057..... 86	1001133066..... 11, 14	1001146844 55, 57	1001181453..... 23
1001120621.....96	1001133085 11	1001146845 55, 57	1001181454..... 23
1001120622.....96	1001133086 11	1001146855 55, 57	1001181535..... 23

SECTION 10 - SPECIAL OPTIONS

1001181743..... 77	1001223055..... 93	1705944..... 96	3520072... 49, 51, 53, 55, 57
1001181744..... 23	1001224048..... 96	1705945..... 96	3574176..... 23
1001181745..... 23	1001224049..... 96	1705946..... 95	3740150..... 13, 86, 102
1001181747..... 104	1001224050..... 96	1706052..... 96	3760115..... 23, 44
1001181982..... 99	1001224052..... 96	1706053..... 96	3760170..... 65
1001182024..... 35, 77	1001227516..... 70, 102	1706056..... 96	3760348..... 23, 44
1001182061.... 93, 96, 99	1001228370..... 93, 96	1706057..... 95	3820019..... 53, 57
1001182095..... 51	1001229441..... 65	1706350..... 93, 96, 99	3841143..... 44, 49
1001182107..... 51	1001229469..... 65	1706679..... 39	3841147..... 11
1001182806..... 14	1001229697..... 104	1706740..... 33	3841520..... 44, 49
1001183228..... 14	1001230050..... 29	2080040.... 51, 53, 55, 57, 93, 95, 99	3860111.... 51, 53, 55, 57
1001184389..... 13	1001230608..... 29	2080057..... 93, 95, 99	3900345..... 53, 57
1001184947..... 25, 27	1001230609..... 29	2220371..... 69	3910804..... 39
1001185156..... 25, 27	1001231801..... 93	2220415..... 73	4010408..... 25, 27
1001185306..... 25, 27	1001233237..... 104	2300028..... 104	4010412..... 25, 27
1001186497..... 25, 27	1001235925..... 104	2560088..... 53, 57	4010608.... 51, 53, 55, 57
1001187101..... 25, 27	1001238838..... 104	2560190..... 53, 57	4010616.... 51, 53, 55, 57
1001187530..... 25, 27	1060379..... 65	2600281.... 51, 53, 55, 57	4010617..... 55, 57
1001187587..... 65	1060633..... 89	2752433..... 77	4010618.... 51, 53, 55, 57
1001187816..... 89	1060998..... 87	2780266..... 11	4031509..... 59
1001187891..... 13	1061034..... 69	2860030..... 39, 102	4031510..... 25, 27
1001188116..... 89	1321293..... 14	2901443..... 89, 104	4031512.... 13, 23, 29, 44
1001188180..... 88	1321385..... 85	2915230..... 104	4031709..... 35
1001189894..... 80	1380132..... 53, 57	2920026..... 39, 59	4031916..... 37
1001192580..... 96	1600244..... 89	2920028..... 59	4031917..... 37
1001193039..... 104	1600402..... 59, 63	2920094..... 39, 59	4060803..... 59
1001195344..... 84	1671207..... 89	2920161..... 13, 89	4060906..... 59
1001195352..... 84	1701504..... 93, 95, 99	2940174..... 33	4160078..... 70
1001195353..... 85	1701509..... 93, 95, 99	3010158..... 23	4160202..... 23
1001195395..... 85	1702773..... 93, 95	3080007..... 53, 55, 57	4220287..... 23
1001195414..... 89	1703072..... 93, 96, 99	3252098..... 96	4240017..... 25, 27, 44
1001195563.... 59, 60, 84	1703177..... 93, 95, 99	3252507..... 88	4240099..... 13
1001195566..... 59	1703464..... 88	3290305..... 45	4240147..... 13
1001195568.... 59, 60, 84	1703813..... 93	3290405.... 13, 23, 25, 27, 29, 44, 59	4360274..... 59, 102
1001195569..... 59	1703819.... 59, 93, 95, 99	3290605.... 13, 14, 21, 23, 25, 27, 29, 33, 35, 39, 59	4360328..... 39, 102
1001195570..... 21, 33	1703822..... 93, 95, 99	3290606.... 51, 53, 55, 57	4360345..... 59, 102
1001195571..... 33	1703834..... 95	3290607..... 44, 45	4360387..... 39, 102
1001195572..... 33	1703856..... 95	3290805..... 11, 44	4360469..... 39, 102
1001195576..... 44, 69	1704016..... 93, 95, 99	3290806..... 53, 57, 59	4360475..... 39, 59, 102
1001195962..... 60	1704277..... 93, 95, 99	3291005..... 21, 23, 49	4420062... 49, 51, 53, 57, 65
1001195963..... 60	1704339..... 95	3291006.... 51, 53, 55, 57	4420076..... 55, 59
1001195964..... 85	1704340..... 95	3291007..... 44, 49	4460007..... 25, 27
1001195965..... 85	1704341..... 95	3300423..... 11	4460138..... 88
1001197295..... 13, 39	1704344..... 95	3311505..... 65	4460226..... 84, 86, 89
1001197453..... 21	1704412..... 93, 95, 99	3321402..... 70	4460227..... 86, 88
1001197939..... 21	1705303..... 96	3340962..... 44	4460265..... 84
1001197947..... 88	1705647..... 93, 95, 99	3391210..... 11	4460266..... 84
1001197948..... 89	1705670..... 99	3421854..... 65	4460267..... 84
1001198545..... 13	1705671..... 99	3422219..... 55, 57	4460320..... 86
1001199189..... 65	1705673..... 99	3422860..... 44, 49	4460321..... 86, 89
1001201491..... 25	1705679..... 93, 95	3422903..... 44	4460346..... 89
1001201492..... 25, 27	1705686..... 93	342903..... 44	4460375..... 86
1001202961..... 33	1705694..... 93, 95	3423045..... 23	4460418..... 84, 86
1001202982..... 14, 88	1705695..... 93, 95	3423151.... 45, 51, 53, 55, 57	4460419..... 84, 86
1001202983..... 21, 33	1705699..... 93, 96	3423267..... 23	4460424..... 88
1001202984..... 13	1705717..... 96	3423278..... 55, 57, 60	4460462..... 85, 89
1001202984..... 13	1705718..... 96	3431214..... 11	4460464... 84, 85, 86, 87, 88, 89
1001212022..... 104	1705719..... 96	3431220..... 23	4460465... 13, 84, 85, 86, 87, 88, 89
1001212457..... 27	1705719..... 96	3431222..... 11	4460466... 84, 85, 86, 87, 88, 89
1001212854..... 57	1705720..... 95	3450203..... 45	4460467..... 89, 104
1001212858..... 53	1705722..... 95	3450406..... 11	4460473..... 85, 89
1001212879..... 53, 57	1705723..... 95	3450505..... 23	4460490..... 87
1001212881..... 53, 57	1705724..... 96	3450606..... 11	
1001213721..... 21	1705725..... 96		
1001213758..... 21	1705726..... 95		
1001215071..... 104	1705727..... 95		
1001215326..... 25, 27	1705754..... 93, 95, 99		
1001221984..... 88	1705943..... 96		

SECTION 10 - SPECIAL OPTIONS

4460496.....	85, 86	4811702 ...	21, 33, 39, 51, 53, 55, 57	70003653	69	70004168.....	44
4460497.....	85, 86	4811900.....	11, 59	70003655	69	70004231.....	69
4460508.....	87	4812000 ...	23, 35, 49, 51, 53, 55, 57	70003656	69	70004232.....	69
4460509.....	88	4812002.....	21	70003657	69	70004233.....	69
4460510.....	89, 104	4812500.....	11, 23	70003658	69	70004236.....	69
4460518.....	84, 85, 86, 89	4891600.....	13	70003659	69	70004237.....	69
4460536.....	86	70000082.....	63	70003660	69	70004238.....	69
4460539.....	85, 86, 87, 88	70000084.....	63	70003661	69	70010346.....	104
4460761.....	86	70000191.....	17	70003678	18	70023370.....	69
4460851.....	84, 86	70000683.....	63	70003681	18	7002821.....	89, 104
4460852.....	84, 86	70000684.....	63	70003682	18	7002822.....	104
4460868.....	86	70000685.....	63	70003683	37	7002823.....	89, 104
4460871.....	86	70000686.....	63	70003685	37	7002826.....	104
4460873.....	86	70000790.....	17	70003686	37, 102	7002828.....	89, 104
4460877.....	86	70000791.....	17	70003687	37	7004275.....	104
4460884.....	87, 88	70000792.....	17	70003688	37	7004276.....	104
4460891....	13, 85, 86, 87, 89	70001250.....	63	70003689	37	7016319.....	13
4460894....	85, 86, 87, 88	70001251.....	63	70003690	37	7016372.....	13
4460897.....	86, 87, 89	70001252.....	63	70003693	37	7016654.....	104
4460899.....	85, 88	70001253.....	63	70003694	37	7020175.....	39, 59
4460905.....	86	70001255.....	63	70003695	37	7020176.....	39, 59
4460944.....	86, 88	70001265.....	18	70003696	37, 102	7020218.....	69
4460945.....	86, 88	70001878.....	69	70003700	37, 102	7024747.....	18
4460968.....	25, 27	70002337.....	69	70003701	37	7024748.....	18
4461017.....	87	70002410.....	69	70003702	37	7024749.....	18
4461018.....	87	70003028.....	37	70003703	37	7024750.....	18
4711700.....	59	70003028.....	37	70003704	37	7024756.....	18
4712200.....	44	70003118.....	69	70003705	37	7024758.....	18
4740086.....	23	70003632.....	73	70003706	37, 102	7024771.....	18
4740217.....	11	70003633.....	73	70003707	37, 102	7024785.....	17
4740468.....	11	70003634.....	73	70003726	37	7024786.....	17
4740531.....	44	70003635.....	73	70003729	37	7027365.....	63
4751400.....	13	70003636.....	73	70003730	37	7027367.....	63
4751500.....	65	70003637.....	73	70003731	37	7027765.....	63
4811400....	13, 25, 27, 33	70003638.....	73	70003732	37	7027766.....	63
4811600.....	51	70003639.....	73	70003733	37	8033143.....	37
4811700....	13, 14, 23, 25, 27, 29, 35, 39, 45, 51, 53, 55, 57	70003640.....	73	70003734	37, 102	8034805.....	51
		70003641.....	73	70003735	37	8303920.....	51
		70003642.....	73	70003736	37	85941016.....	89
		70003643.....	73	70003912	37		
		70003644.....	73	70004167	44		



3121686



An Oshkosh Corporation Company

Corporate Office
JLG Industries, Inc.
1 JLG Drive
McConnellsburg, PA 17233-9533 USA
☎ (717) 485-5161 (Corporate)
☎ (877) 554-5438 (Customer Support)
☎ (717) 485-6417

Visit our website for JLG Worldwide Locations.
www.jlg.com