



Platform Repair Procedure

Boom Lift Models

3124078

December 1, 2011

ANSI

CE



An Oshkosh Truck Corporation Company

REVISION LOG

December 15, 1999 - Original Issue Of Manual

June 1, 2001 - Revised Manual

January 1, 2003 - Revised Manual

September 1, 2010 - Revised Manual

December1, 2011 - Revised Manual



An Oshkosh Truck Corporation Company

Attention: Service Manager

Re: JLG Boom Lifts
Subject: Platform Repair Procedure

JLG Industries, Inc. has compiled this *Platform Repair Procedure* Manual to assist you in maintaining your JLG products.

When repairs can be made to a damaged platform, JLG Industries, Inc. recommends that the repair be accomplished in accordance with the enclosed *Platform Repair Procedure(s)* with the utilization of original equipment parts/components only. When repairs cannot be made or not addressed in this manual, replacement of the platform will be necessary.

The enclosed repair procedures, parts list and illustrations are for the specified models and platform configurations only.

The entity performing the repairs is responsible for the quality of repairs as outlined by the attached procedure(s) and for the determination that the component is repairable. The owner of JLG products is responsible for the safe and proper operating condition of the product,

All JLG products must be current with the required inspections & preventative maintenance prior to returning to service.

Sincerely,

JLG INDUSTRIES, INC.



JLG Industries, Inc.
1 JLG Drive
McConnellsburg, PA 17233-9533
Telephone (717) 485-5161
Fax (717) 485-6417

REPAIR PROCEDURE GUIDELINES

GENERAL GUIDELINES:

- **USE ALL APPLICABLE SAFETY PRECAUTIONS WHILE WORKING ON, UNDER, OR AROUND ANY MACHINERY.**
- **REFERENCE THE SERVICE AND SPECIFICATIONS MANUAL AND ILLUSTRATED PARTS MANUAL FOR SAFE AND PROPER DISASSEMBLY/ASSEMBLY PROCEDURES.**

WELD REPAIR GUIDELINES:

- **ALL WELDING MUST BE IN STRICT ACCORDANCE WITH:**
 - **ANSI UNITS - ANSI/AWS D1.1**
 - **CE UNITS – EN288-3 OR WN288-4**
 - **AUSTRALIAN UNITS – EQUIVALENT STANDARD TO EN288-3 OR WN288-4 AS REQUIRED BY THE APPROPRIATE STANDARDS FOR AERIAL WORK PLATFORMS.**
- **DISCONNECT THE BATTERY OF THE MACHINE BEING REPAIRED PRIOR TO WELDING.**
- **GROUND ONLY TO THE COMPONENT BEING WELDED. DO NOT GROUND TO ANY ADJACENT COMPONENT OR ALLOW PINS, WEAR PADS, WIRE ROPES, BEARINGS, GEARS, SEALS, VALVES, ELECTRICAL WIRING, OR HOSES TO BE BETWEEN THE GROUNDING POSITION AND THE AREA TO BE WELDED.**
- **FAILURE TO COMPLY WITH THE ABOVE WELD REPAIR GUIDELINES MAY RESULT IN COMPONENT DAMAGE.**

THIS PAGE INTENTIONALLY LEFT BLANK

SECTION 1 - GENERAL PLATFORM REPAIR PROCEDURE

PROCEDURE: Platform Repair
MODEL(S): Specified JLG Boom Lifts

Tools and Equipment Required:

1. AWS 70 grade, low-hydrogen rod or wire
2. portable grinder
3. standard mechanic and welding tools
4. magnetic particle or dye penetrant weld inspection material
5. paint

Personnel Required:

1. qualified JLG equipment mechanic
2. certified welder

Parts/Material Required:

1. Reference attached parts list(s)

NOTE: THE LISTING OF APPLICABLE PLATFORMS FOR A GIVEN MODEL OF JLG BOOM LIFT ON THE ATTACHED PARTS LISTS DOES NOT CONSTITUTE AUTHORIZATION TO CHANGE PLATFORM SIZES ON THESE BOOM LIFTS. PLEASE CONSULT THE MACHINE S/N PLATE FOR ALLOWABLE PLATFORM SIZES AND/OR CONSULT THE APPROPRIATE ILLUSTRATED PARTS MANUAL FOR AVAILABLE PLATFORM SIZES.

Procedure:

1. Visually inspect all areas of the platform weldment for discrepancies (i.e., weld cracks, base metal cracks, rail distortion, etc.).
2. Remove all foreign matter (i.e., dirt, grease, rust, paint, etc.) from the repair area(s).
3. Repair, replace or splice the platform components in accordance with the appropriate enclosed *Platform Repair Parts List* and *Platform Repair Illustration(s)*.

Note: Piece parts are for the most commonly used platforms.

Note: Bottom rail and gridwork cannot be repaired or purchased separately. Complete floor assembly is available. See *Platform Repair Parts List* and consult JLG Industries, Inc.

Note: “NCA” stands for Not Currently Available as a service part. Platform replacement required. “---” indicates part not used on listed platform.

SECTION 1 - GENERAL PLATFORM REPAIR PROCEDURE

4. Grind all cracks to form a 60° “vee” groove, with a 0” root opening. As required, weld components using the specified weld material with types and sizes as specified on the applicable *Platform Repair Illustration(s)*.
5. Inspect all repair welds using a magnetic particle or dye-penetrant weld inspection method, to assure there are no cracks or deformities and to determine the quality of the weld. If any cracks or deformities exist, grind to remove the affected area(s) and repeat welding and inspection procedures.
6. Ensure all platform discrepancies are corrected prior to returning the platform to service. Clean, prime and paint affected areas as required.

Note: Should any further discrepancies be discovered during the accomplishment of this procedure, further evaluation will be required by either a qualified mechanic or certified welder.

Raw Material List

Part No.	Description	Length
5090238	1-1/4” O. D. Steel tubing (.065 Wall)	Order by the foot – sold in 20 ft. lengths only
5090239	3/4” O. D. Steel tubing (.065 Wall)	Order by the foot – sold in 20 ft. lengths only

SECTION 2 - PLATFORM REPAIR PARTS LIST (HA MODELS)

FIGURE 2-1 FOUR FOOT PLATFORMS (Part # 3510236/3510239/3510323)

PLATFORM ASSEMBLY PART NO.		3510236	3510239	3510323
PLATFORM SIZE		30" x 48"	30" x 48"	30" x 48"
WHERE USED		34HA, 40HA, 45HA, 60HA	34HA, 40HA, 45HA, 60HA	45HA
ITEM	DESCRIPTION	PART NO.	PART NO.	PART NO.
1	Top Rail - Left Hand	3640649	3640649	3640649
2	Top Rail - Right Hand	3640650	3640650	3640650
3	Vertical Rail	3640659S	3640659S	3640659S
4	Console Rail Guard	4565081S	4565081S	4565081S
5	Console Support	4565082S	4565082S	4565082S
6	Console Mounting Plate L.H.	4340612	4340612	4340612
7	Console Mounting Plate R.H.	4340613	4340613	4340613
8	Mid Rail	3640561	NCA	NCA
9	Gate (includes latch)	1780250S	1780250S	1780250S
10	Latch	2940006	2940006	2940006
11	Hinge Pin	2600143	2600143	2600143
12	Hinge Bushing	0961264	0961264	0961264
13	Toe Plate L.H.	3640700	3640700	3640700
14	Toe Plate R.H.	3640701	3640701	3640701
15	Floor Plate Assembly w/ Screen (.75 x 9 GA)	NCA	NCA	NCA
	Floor Plate Assembly w/o Screen	NCA	NCA	NCA
16	Floor, Expanded Steel Screen (.75 x 9 GA)	3537860	3537864	3537864
17	Side, Expanded Steel Screen (.75 x 14 GA)	---	---	---
	Back, Expanded Steel Screen (.75 x 14 GA)	---	---	---
18	Hand Rail	3640548S	3640548S	3640548S
19	Lanyard Attach Rod	3840732	3840732	3840732
20	Stop, Door Latch	0361471	0361471	0361471
21	Splice Coupling (for 1 1/4"O.D. .065 w. Tubing)	4566458	4566458	4566458
	Splice Coupling (for 1 1/4"O.D. .049 w. Tubing)	4566460	4566460	4566460
	Splice Coupling (for 3/4"O.D. .065 w. Tubing)	4566466	4566466	4566466
	Splice Coupling (for 3/4"O.D. .049 w. Tubing)	4566459	4566459	4566459
23	Switch Mount	---	---	0361750
24	Bumper Rail	---	---	3640732
25	Spacer	---	---	4564327
FIGURE NUMBER		10-1	10-1	10-1, 10-4

SECTION 2 - PLATFORM REPAIR PARTS LIST (HA MODELS)

FIGURE 2-2 FIVE FOOT PLATFORMS (Part # 3510237/3510240/3510441/3510480)

PLATFORM ASSEMBLY PART NO.		3510237	3510240	3510441	3510480
PLATFORM SIZE		30" x 60"	30" x 60"	30" x 60"	30" x 60"
WHERE USED		34HA, 40HA, 45HA, 60HA	34HA, 40HA, 45HA, 60HA	60HA	34HA, 45HA, 60HA
ITEM	DESCRIPTION	PART NO.	PART NO.	PART NO.	PART NO.
1	Top Rail - Left Hand	3640646S	3640646S	3640646S	3640646S
2	Top Rail - Right Hand	3640647S	3640647S	3640647S	3640647S
3	Vertical Rail	3640659S	3640659S	3640659S	3640659S
4	Console Rail Guard	4565081S	4565081S	4565081S	4565081S
5	Console Support	4565082S	4565082S	4565082S	4565082S
6	Console Mounting Plate L.H.	4340612	4340612	4340612	4340612
7	Console Mounting Plate R.H.	4340613	4340613	4340613	4340613
8	Mid Rail	3640539S	NCA	3640539S	NCA
9	Gate (includes latch)	1780250S	1780250S	1780278	1780285
10	Latch	2940006	2940006	2940006	2940006
11	Hinge Pin	2600143	2600143	2600143	2600143
12	Hinge Bushing	0961264	0961264	0961264	0961264
13	Toe Plate L.H.	3640698	3640698	3640698	---
14	Toe Plate R.H.	3640699	3640699	3640699	---
15	Floor Plate Assembly w/ Screen (.75 x 9 GA)	3510448	NCA	NCA	NCA
	Floor Plate Assembly w/o Screen	3510449	NCA	NCA	NCA
16	Floor, Expanded Steel Screen (.75 x 9 GA)	3537861	3537865	3534296	3537865
17	Side, Expanded Steel Screen (.75 x 14 GA)	---	---	---	3538216
	Back, Expanded Steel Screen (.75 x 14 GA)	---	---	---	3538214
18	Hand Rail	3640548S	3640548S	3640548S	3640548S
19	Lanyard Attach Rod	3840732	3840732	3840732	3840732
20	Stop, Door Latch	0361471	0361471	0361471	0361471
21	Splice Coupling (for 1 1/4"O.D. .065 w. Tubing)	4566458	4566458	4566458	4566458
	Splice Coupling (for 1 1/4"O.D. .049 w. Tubing)	4566460	4566460	4566460	4566460
	Splice Coupling (for 3/4"O.D. .065 w. Tubing)	4566466	4566466	4566466	4566466
	Splice Coupling (for 3/4"O.D. .049 w. Tubing)	4566459	4566459	4566459	4566459
FIGURE NUMBER		10-1	10-1	10-1	10-1

SECTION 2 - PLATFORM REPAIR PARTS LIST (HA MODELS)

FIGURE 2-3 FIVE FOOT PLATFORMS (Part # 3510481/3510482/3510483/3510261)

PLATFORM ASSEMBLY PART NO.		3510481	3510482	3510483	3510261
PLATFORM SIZE		30" x 60"	30" x 60"	30" x 60"	30" x 60"
WHERE USED		34HA, 45HA, 60HA	34HA, 45HA, 60HA	34HA, 45HA, 60HA	34HA, 40HA, 45HA
ITEM	DESCRIPTION	PART NO.	PART NO.	PART NO.	PART NO.
1	Top Rail - Left Hand	3640646S	3640646S	3640646S	3640646S
2	Top Rail - Right Hand	3640647S	3640647S	3640647S	3640647S
3	Vertical Rail	3640659S	3640659S	3640659S	3640659S
4	Console Rail Guard	4565081S	4565081S	4565081S	4565081S
5	Console Support	4565082S	4565082S	4565082S	4565082S
6	Console Mounting Plate L.H.	4340612	4340612	4340612	4340612
7	Console Mounting Plate R.H.	4340613	4340613	4340613	4340613
8	Mid Rail	3640539S	NCA	3640539S	NCA
9	Gate (includes latch)	1780285	1780286	1780286	1780250S
10	Latch	2940006	2940006	2940006	2940006
11	Hinge Pin	2600143	2600143	2600143	2600143
12	Hinge Bushing	0961264	0961264	0961264	0961264
13	Toe Plate L.H.	---	---	---	3640698
14	Toe Plate R.H.	---	---	---	3640699
15	Floor Plate Assembly w/ Screen (.75 x 9 GA)	3510448	NCA	3510448	NCA
	Floor Plate Assembly w/o Screen	3510449	NCA	3510449	NCA
16	Floor, Expanded Steel Screen (.75 x 9 GA)	3537861	3537865	3537861	3537865
17	Side, Expanded Steel Screen (.75 x 14 GA)	3538216	3538267	3538267	---
	Back, Expanded Steel Screen (.75 x 14 GA)	3538215	3538214	3538266	---
18	Hand Rail	3640548S	3640548S	3640548S	3640548S
19	Lanyard Attach Rod	3840732	3840732	3840732	3840732
20	Stop, Door Latch	0361471	0361471	0361471	0361471
21	Splice Coupling (for 1 1/4"O.D. .065 w. Tubing)	4566458	4566458	4566458	4566458
	Splice Coupling (for 1 1/4"O.D. .049 w. Tubing)	4566460	4566460	4566460	4566460
	Splice Coupling (for 3/4"O.D. .065 w. Tubing)	4566466	4566466	4566466	4566466
	Splice Coupling (for 3/4"O.D. .049 w. Tubing)	4566459	4566459	4566459	4566459
23	Switch Mount	---	---	---	0361750
24	Bumper Rail	---	---	---	3640657
25	Spacer	---	---	---	4564327
29	Stiffener Plate (Upper Back Screen Support)	---	4280297	4280297	---
30	Upper Back Expanded Screen	---	3538265	---	---
FIGURE NUMBER		10-1	10-1, 10-3	10-1, 10-3	10-1, 10-4

SECTION 2 - PLATFORM REPAIR PARTS LIST (HA MODELS)

FIGURE 2-4 FIVE & SIX FOOT PLATFORMS (Part # 3510247/3510307/3510356)

PLATFORM ASSEMBLY PART NO.		3510247	3510307	3510356
PLATFORM SIZE		30" x 60"	30" x 60"	30" x 72"
WHERE USED		40HA	40HA	40HA
ITEM	DESCRIPTION	PART NO.	PART NO.	PART NO.
1	Top Rail - Left Hand	3640646S	3640646S	3640651
2	Top Rail - Right Hand	3640647S	3640647S	3640652
3	Vertical Rail	3640659S	3640659S	3640659S
4	Console Rail Guard	4565081S	4565081S	4565081S
5	Console Support	3640648	3640648	3640648
6	Console Mounting Plate	4340595	4340595	4340595
8	Mid Rail	3640539S	3640539S	3640566
9	Gate (includes latch)	1780250S	1780250S	1780250S
10	Latch	2940006	2940006	2940006
11	Hinge Pin	2600143	2600143	2600143
12	Hinge Bushing	0961264	0961264	0961264
13	Toe Plate L.H.	3640698	3640698	3640702
14	Toe Plate R.H.	3640699	3640699	3640703
15	Floor Plate Assembly w/ Screen (.75 x 9 GA)	NCA	NCA	NCA
	Floor Plate Assembly w/o Screen	NCA	NCA	NCA
16	Floor, Expanded Steel Screen	3532092	3532092	3537862
17	Side, Expanded Steel Screen	---	3533465	---
	Back, Expanded Steel Screen	---	3533419	---
	Door, Expanded Steel Screen	---	3533416	---
18	Hand Rail	3640548S	3640548S	3640548S
19	Lanyard Attach Rod	3840732	3840732	3840732
20	Stop, Door Latch	0361471	0361471	0361471
21	Splice Coupling (for 1 1/4"O.D. .065 w. Tubing)	4566458	4566458	4566458
	Splice Coupling (for 1 1/4"O.D. .049 w. Tubing)	4566460	4566460	4566460
	Splice Coupling (for 3/4"O.D. .065 w. Tubing)	4566466	4566466	4566466
	Splice Coupling (for 3/4"O.D. .049 w. Tubing)	4566459	4566459	4566459
FIGURE NUMBER		10-2	10-2	10-2

SECTION 2 - PLATFORM REPAIR PARTS LIST (HA MODELS)

FIGURE 2-5 SIX FOOT PLATFORMS (Part # 3510238/3510241/3510511/3510330)

PLATFORM ASSEMBLY PART NO.		3510238	3510241	3510511	3510330
PLATFORM SIZE		30" x 72"	30" x 72"	30" x 72"	36" x 72"
WHERE USED		34HA, 40HA, 45HA, 60HA	34HA, 40HA, 45HA, 60HA	60HA	60HA
ITEM	DESCRIPTION	PART NO.	PART NO.	PART NO.	PART NO.
1	Top Rail - Left Hand	3640651	3640651	3640651	3640667
2	Top Rail - Right Hand	3640652	3640652	3640652	3640668
3	Vertical Rail	3640659S	3640659S	3640659S	3640659S
4	Console Rail Guard	4565081S	4565081S	4565081S	4565081S
5	Console Support	4565082S	4565082S	4565082S	4565082S
6	Console Mounting Plate L.H.	4340612	4340612	4340612	4340612
7	Console Mounting Plate R.H.	4340613	4340613	4340613	4340613
8	Mid Rail	3640566	NCA	NCA	NCA
9	Gate (includes latch)	1780250S	1780250S	1780285	1780250S
10	Latch	2940006	2940006	2940006	2940006
11	Hinge Pin	2600143	2600143	2600143	2600143
12	Hinge Bushing	0961264	0961264	0961264	0961264
13	Toe Plate L.H.	3640702	3640702	---	3640735
14	Toe Plate R.H.	3640703	3640703	---	3640736
15	Floor Plate Assembly w/ Screen (.75 x 9 GA)	NCA	NCA	NCA	NCA
	Floor Plate Assembly w/o Screen	NCA	NCA	NCA	NCA
16	Floor, Expanded Steel Screen (.75 x 9 GA)	3537862	3537866	3537866	3537858
17	Side, Expanded Steel Screen (.75 x 14 GA)	---	---	3538960	---
	Back, Expanded Steel Screen (.75 x 14 GA)	---	---	3538214	---
18	Hand Rail	3640548S	3640548S	3640548S	3640372S
19	Lanyard Attach Rod	3840732	3840732	3840732	3840732
20	Stop, Door Latch	0361471	0361471	0361471	0361471
21	Splice Coupling (for 1 1/4"O.D. .065 w. Tubing)	4566458	4566458	4566458	4566458
	Splice Coupling (for 1 1/4"O.D. .049 w. Tubing)	4566460	4566460	4566460	4566460
	Splice Coupling (for 3/4"O.D. .065 w. Tubing)	4566466	4566466	4566466	4566466
	Splice Coupling (for 3/4"O.D. .049 w. Tubing)	4566459	4566459	4566459	4566459
FIGURE NUMBER		10-1	10-1	10-1	10-1

SECTION 2 - PLATFORM REPAIR PARTS LIST (HA MODELS)

FIGURE 2-6 EIGHT FOOT PLATFORMS (Part # 3510253/3510242)

PLATFORM ASSEMBLY PART NO.		3510253	3510242
PLATFORM SIZE		30" x 96"	30" x 96"
WHERE USED		60HA	60HA
ITEM	DESCRIPTION	PART NO.	PART NO.
1	Top Rail - Left Hand	3640605	3640653
2	Top Rail - Right Hand	3640654	3640654
3	Vertical Rail	3640659S	3640659S
4	Console Rail Guard	4565081S	4565081S
5	Console Support	4565082S	4565082S
6	Console Mounting Plate L.H.	4340612	4340612
7	Console Mounting Plate R.H.	4340613	4340613
8	Mid Rail	3640606	NCA
9	Gate (includes latch)	1780250S	1780250S
10	Latch	2940006	2940006
11	Hinge Pin	2600143	2600143
12	Hinge Bushing	0961264	0961264
13	Toe Plate L.H.	3640704	3640704
14	Toe Plate R.H.	3640705	3640705
15	Floor Plate Assembly w/ Screen (.75 x 9 GA)	NCA	NCA
	Floor Plate Assembly w/o Screen	NCA	NCA
16	Floor, Expanded Steel Screen (.75 x 9 GA)	3537863	3538341
17	Side, Expanded Steel Screen (.75 x 14 GA)	---	---
	Back, Expanded Steel Screen (.75 x 14 GA)	---	---
18	Hand Rail	3640548S	3640548S
19	Lanyard Attach Rod	3840732	3840732
20	Stop, Door Latch	0361471	0361471
21	Splice Coupling (for 1 1/4"O.D. .065 w. Tubing)	4566458	4566458
	Splice Coupling (for 1 1/4"O.D. .049 w. Tubing)	4566460	4566460
	Splice Coupling (for 3/4"O.D. .065 w. Tubing)	4566466	4566466
	Splice Coupling (for 3/4"O.D. .049 w. Tubing)	4566459	4566459
22	Diagonal Rail	3640664	3640664
FIGURE NUMBER		10-1, 10-3	10-1, 10-3

SECTION 3 - PLATFORM REPAIR PARTS LIST (H/HX MODELS)

FIGURE 3-1 FOUR FOOT PLATFORMS (Part # 3510438/3510439)

PLATFORM ASSEMBLY PART NO.		3510438	3510439
PLATFORM SIZE		36" x 48"	36" x 48"
WHERE USED		40H, 50H, 60H, 70H, 80H/X	40H, 60H, 80HX
ITEM	DESCRIPTION	PART NO.	PART NO.
1	Top Rail - Left Hand	3640901	3640901
2	Top Rail - Right Hand	3640902	3640902
3	Vertical Rail	3640659S	3640659S
4	Console Rail Guard	4565081S	4565081S
5	Console Support	4565082S	4565299
6	Console Mounting Plate L.H.	4340612	4340623
7	Console Mounting Plate R.H.	4340613	4340624
8	Mid Rail	3640903	3640903
9	Gate (includes latch)	1780252S	1780252S
10	Latch	2940006	2940006
11	Hinge Pin	2600143	2600143
12	Hinge Bushing	0961264	0961264
13	Toe Plate L.H.	---	---
14	Toe Plate R.H.	---	---
15	Floor Plate Assembly w/ Screen (.75 x 9 GA)	NCA	NCA
	Floor Plate Assembly w/o Screen	NCA	NCA
16	Floor, Expanded Steel Screen (.75 x 9 GA)	3537311	3537311
17	Side, Expanded Steel Screen (.75 x 14 GA)	3509650	3509650
	Back, Expanded Steel Screen (.75 x 14 GA)	3509534	3539532
18	Hand Rail	3640372S	3640372S
19	Lanyard Attach Rod	3840732	3840732
20	Stop, Door Latch	0361471	0361471
21	Splice Coupling (for 1 1/4"O.D. .065 w. Tubing)	4566458	4566458
	Splice Coupling (for 1 1/4"O.D. .049 w. Tubing)	4566460	4566460
	Splice Coupling (for 3/4"O.D. .065 w. Tubing)	4566466	4566466
	Splice Coupling (for 3/4"O.D. .049 w. Tubing)	4566459	4566459
FIGURE NUMBER		10-1	10-1

SECTION 3 - PLATFORM REPAIR PARTS LIST (H/HX MODELS)

FIGURE 3-2 FIVE FOOT PLATFORMS (Part # 3510268/3510290/3510271/3510276/3510512)

PLATFORM ASSEMBLY PART NO.		3510268/290	3510271	3510276	3510512
PLATFORM SIZE		36" x 60"	36" x 60"	36" x 60"	36" x 60"
WHERE USED		40H, 50H, 60H, 70H, 80H/HX, 100/110HX	40H, 60H	40H, 50H, 60H, 70H, 80H/X	40H, 60H, 80H, 80HX
ITEM	DESCRIPTION	PART NO.	PART NO.	PART NO.	PART NO.
1	Top Rail - Left Hand	3640665S	3640665S	3640665S	3640665S
2	Top Rail - Right Hand	3640666S	3640666S	3640666S	3640666S
3	Vertical Rail	3640659S	3640659S	3640659S	3640659S
4	Console Rail Guard	4565081S	4565081S	4565081S	4565081S
5	Console Support	4565082S	4565299	4565299	4565082S
6	Console Mounting Plate L.H.	4340612	4340623	4340623	4340612
7	Console Mounting Plate R.H.	4340613	4340624	4340624	4340613
8	Mid Rail	3640671S	3640671	NCA	3640671S
9	Gate (includes latch)	1780252S	1780252S	1780252S	1780288
10	Latch	2940006	2940006	2940006	2940006
11	Hinge Pin	2600143	2600143	2600143	2600143
12	Hinge Bushing	0961264	0961264	0961264	0961264
13	Toe Plate L.H.	---	---	---	---
14	Toe Plate R.H.	---	---	---	---
15	Floor Plate Assembly w/ Screen (.75 x 9 GA)	3510450	3510450	NCA	3510450
	Floor Plate Assembly w/o Screen	3510451	3510451	NCA	3510451
16	Floor, Expanded Steel Screen (.75 x 9 GA)	3537854	3537854	3537857	3537854
17	Side, Expanded Steel Screen (.75 x 14 GA)	3509533	3509533	3509533	3538961
	Back, Expanded Steel Screen (.75 x 14 GA)	3509534	3535432	3532852	3538900
18	Hand Rail	3640372S	3640372S	3640372S	3640372S
19	Lanyard Attach Rod	3840732	3840732	3840732	3840732
20	Stop, Door Latch	0361471	0361471	0361471	0361471
21	Splice Coupling (for 1 1/4"O.D. .065 w. Tubing)	4566458	4566458	4566458	4566458
	Splice Coupling (for 1 1/4"O.D. .049 w. Tubing)	4566460	4566460	4566460	4566460
	Splice Coupling (for 3/4"O.D. .065 w. Tubing)	4566466	4566466	4566466	4566466
	Splice Coupling (for 3/4"O.D. .049 w. Tubing)	4566459	4566459	4566459	4566459
29	Stiffener Plate (Upper Back Screen Support)	---	---	---	4280297
FIGURE NUMBER		10-1	10-1	10-1,10-3	10-1, 10-3

SECTION 3 - PLATFORM REPAIR PARTS LIST (H/HX MODELS)

FIGURE 3-3 FIVE FOOT PLATFORM (Part # 3510231)

PLATFORM ASSEMBLY PART NO.		3510231
PLATFORM SIZE		36" x 60"
WHERE USED		40H, 50H, 60H, 70H, 80H, 80HX, 100HX, 110HX
ITEM	DESCRIPTION	PART NO.
1	Top Rail	3640368
2	Vertical Rail	3640333
3	Vertical Rail - Lower	3640374
4	Console Rail Guard	4563249
5	Guard Rail Support Tube	4562108
6	Guard Rail Cross Tube	4562107
7	Console Support	4340524
8	Console Support Gusset	2550854
9	Console Support Bar	0361687
10	Mid Rail	NCA
11	Gate (include latch)	1780145
12	Gate Latch	2940006
13	Hinge Pin	2600095
14	Hinge Bushing	0960851
15	Floor, Expanded Steel Screen	3532851
16a	Side, Expanded Steel Screen	3509533
16b	Back, Expanded Steel Screen	3532852
17	Vertical Rail, Door Opening - hinge side	3640335
18	Vertical Rail, Door Opening - latch side	3640371
19	Hand Rail	3640372
20	Console Box Support Tube	4564120
21	Guard Rail Support Plate	3509254
22	Lanyard Attach Rod	3840732
23	Splice Coupling (for 1 1/4"O.D. .065 w. Tubing)	4566458
	Splice Coupling (for 1 1/4"O.D. .049 w. Tubing)	4566460
	Splice Coupling (for 3/4"O.D. .065 w. Tubing)	4566466
	Splice Coupling (for 3/4"O.D. .065 w. Tubing)	4566459
FIGURE NUMBER		10-5

SECTION 3 - PLATFORM REPAIR PARTS LIST (H/HX MODELS)

FIGURE 3-4 FIVE FOOT PLATFORM (Part # 3510353)

PLATFORM ASSEMBLY PART NO.		3510353
PLATFORM SIZE		36" x 60"
WHERE USED		40H, 50H, 60H, 70H, 80H, 80HX
ITEM	DESCRIPTION	PART NO.
1	Top Rail	3640376
2	Vertical Rail - Entrance	3640720
3	Vertical Rail	3640659S
4	Console Rail Guard	4565081S
5	Console Support	4565299
6	Console Mounting Plate L.H.	4340623
7	Console Mounting Plate R.H.	4340624
8	Mid Rail	3640719
9	Gate Bar	4842922
10	Door Toe Plate	3640767
11	Toe Plate - Rear	3535544
12	Nameplate	3535534
13	Toe Plate L.H.	3640765
14	Toe Plate R.H.	3640766
15	Floor Plate Assembly w/ Screen (.75 x 9 GA)	NCA
	Floor Plate Assembly w/o Screen	NCA
16	Floor, Expanded Steel Screen (.75 x 9 GA)	3535533
17	Side, Expanded Steel Screen (.75 x 14 GA)	---
	Back, Expanded Steel Screen (.75 x 14 GA)	---
18	Hand Rail	3640372S
19	Lanyard Attach Rod	3840732
21	Splice Coupling (for 1 1/4"O.D. .065 w. Tubing)	4566458
	Splice Coupling (for 1 1/4"O.D. .049 w. Tubing)	4566460
	Splice Coupling (for 3/4"O.D. .065 w. Tubing)	4566466
	Splice Coupling (for 3/4"O.D. .049 w. Tubing)	4566459
FIGURE NUMBER		10-8

SECTION 3 - PLATFORM REPAIR PARTS LIST (H/HX MODELS)

FIGURE 3-5 SIX FOOT PLATFORMS (Part # 3510269/3510291/3510272/3510277)

PLATFORM ASSEMBLY PART NO.		3510269/291	3510272	3510277
PLATFORM SIZE		36" x 72"	36" x 72"	36" x 72"
WHERE USED		40H, 50H, 60H, 70H, 80H	40H, 60H	40H, 50H, 60H, 70H, 80H
ITEM	DESCRIPTION	PART NO.	PART NO.	PART NO.
1	Top Rail - Left Hand	3640667	3640667	3640667
2	Top Rail - Right Hand	3640668	3640668	3640668
3	Vertical Rail	3640659S	3640659S	3640659S
4	Console Rail Guard	4565081S	4565081S	4565081S
5	Console Support	4565082S	4565299	4565299
6	Console Mounting Plate L.H.	4340612	4340623	4340623
7	Console Mounting Plate R.H.	4340613	4340624	4340624
8	Mid Rail	3640672	3640672	NCA
9	Gate (includes latch)	1780252S	1780252S	1780252S
10	Latch	2940006	2940006	2940006
11	Hinge Pin	2600143	2600143	2600143
12	Hinge Bushing	0961264	0961264	0961264
13	Toe Plate L.H.	---	---	---
14	Toe Plate R.H.	---	---	---
15	Floor Plate Assembly w/ Screen (.75 x 9 GA)	NCA	NCA	NCA
	Floor Plate Assembly w/o Screen	NCA	NCA	NCA
16	Floor, Expanded Steel Screen (.75 x 9 GA)	3537855	3537855	3537858
17	Side, Expanded Steel Screen (.75 x 14 GA)	3530203	3509533	3530203
	Back, Expanded Steel Screen (.75 x 14 GA)	3509534	3535432	3532852
18	Hand Rail	3640372S	3640372S	3640372S
19	Lanyard Attach Rod	3840732	3840732	3840732
20	Stop, Door Latch	0361471	0361471	0361471
21	Splice Coupling (for 1 1/4"O.D. .065 w. Tubing)	4566458	4566458	4566458
	Splice Coupling (for 1 1/4"O.D. .049 w. Tubing)	4566460	4566460	4566460
	Splice Coupling (for 3/4"O.D. .065 w. Tubing)	4566466	4566466	4566466
	Splice Coupling (for 3/4"O.D. .049 w. Tubing)	4566459	4566459	4566459
26	Vertical Rail	---	---	3640689
FIGURE NUMBER		10-1	10-1	10-1, 10-3

SECTION 3 - PLATFORM REPAIR PARTS LIST (H/HX MODELS)

FIGURE 3-6 SIX FOOT PLATFORMS (Part # 3510363/3510393)

PLATFORM ASSEMBLY PART NO.		3510363	3510393
PLATFORM SIZE		36" x 72"	36" X 72"
WHERE USED		100HX, 110HX, 120HX	60H
ITEM	DESCRIPTION	PART NO.	PART NO.
1	Top Rail - Left Hand	3640667	3640667
2	Top Rail - Right Hand	3640668	3640668
3	Vertical Rail	3640659S	3640659S
4	Console Rail Guard	4565081S	4565081S
5	Console Support	4565717	4565299
6	Console Mounting Plate L.H.	4340612	4340623
7	Console Mounting Plate R.H.	4340613	4340624
8	Mid Rail	NCA	NCA
9	Gate (includes latch)	1780252S	1780252S
10	Latch	2940006	2940006
11	Hinge Pin	2600143	2600143
12	Hinge Bushing	0961264	0961264
13	Toe Plate L.H.	---	---
14	Toe Plate R.H.	---	---
15	Floor Plate Assembly w/ Screen (.75 x 9 GA)	NCA	NCA
	Floor Plate Assembly w/o Screen	NCA	NCA
16	Floor, Expanded Steel Screen (.75 x 9 GA)	3537858	3537858
17	Side, Expanded Steel Screen (.75 x 14 GA)	3530203	3530203
	Back, Expanded Steel Screen (.75 x 14 GA)	3535913	3532852
18	Hand Rail	3640372S	3640372S
19	Lanyard Attach Rod	3840732	3840732
20	Stop, Door Latch	0361471	0361471
21	Splice Coupling (for 1 1/4"O.D. .065 w. Tubing)	4566458	4566458
	Splice Coupling (for 1 1/4"O.D. .049 w. Tubing)	4566460	4566460
	Splice Coupling (for 3/4"O.D. .065 w. Tubing)	4566466	4566466
	Splice Coupling (for 3/4"O.D. .065 w. Tubing)	4566459	4566459
23	Switch Mount	---	0361750
24	Bumper Rail	---	3640841
25	Spacer	---	4564327
26	Vertical Rail	3640797	3640689
FIGURE NUMBER		10-1, 10-3	10-1, 10-3, 10-4

SECTION 3 - PLATFORM REPAIR PARTS LIST (H/HX MODELS)

FIGURE 3-7 SIX FOOT PLATFORM (Part # 3510585)

PLATFORM ASSEMBLY PART NO.		3510585
PLATFORM SIZE		36" x 72"
WHERE USED		120HX
ITEM	DESCRIPTION	PART NO.
1	Top Rail - Left Hand	3640667
2	Top Rail - Right Hand	3640668
3	Vertical Rail	3640659S
4	Console Rail Guard	4565081S
5	Console Support	4565717
6	Console Mounting Plate L.H.	4340612
7	Console Mounting Plate R.H.	4340613
8	Mid Rail	NCA
9	Gate (includes latch)	1780285
10	Latch	2940006
11	Hinge Pin	2600179
12	Hinge Bushing	0961264
13	Toe Plate L.H.	---
14	Toe Plate R.H.	---
15	Floor Plate Assembly w/ Screen (.75 x 9 GA)	NCA
	Floor Plate Assembly w/o Screen	NCA
16	Floor, Expanded Steel Screen (.75 x 9 GA)	3537858
17	Side, Expanded Steel Screen (.75 x 14 GA)	3530219
	Back, Expanded Steel Screen (.75 x 14 GA)	3535913
18	Hand Rail	3640372S
19	Lanyard Attach Rod	3840732
20	Stop, Door Latch	0361471
21	Splice Coupling (for 1 1/4"O.D. .065 w. Tubing)	4566458
	Splice Coupling (for 1 1/4"O.D. .049 w. Tubing)	4566460
	Splice Coupling (for 3/4"O.D. .065 w. Tubing)	4566466
	Splice Coupling (for 3/4"O.D. .065 w. Tubing)	4566459
23	Bottom Hinge	2600143
29	Stiffener Plate (Upper Back Screen Support)	4280297
30	Upper Back Screen	3570220
FIGURE NUMBER		10-3, 10-9

SECTION 3 - PLATFORM REPAIR PARTS LIST (H/HX MODELS)

FIGURE 3-8 SIX FOOT PLATFORMS (Part # 3510358/3510398/3510405)

PLATFORM ASSEMBLY PART NO.		3510358	3510398/405
PLATFORM SIZE		36" x 72"	36" x 72"
WHERE USED		80HX	120HX
ITEM	DESCRIPTION	PART NO.	PART NO.
1	Top Rail	3640490	3640490
2	Vertical Rail - Entrance	3640720	3640720
3	Vertical Rail	3640659S	3640659S
4	Console Rail Guard	4565081S	4565081S
5	Console Support	4565299	4565717
6	Console Mounting Plate L.H.	4340623	4340612
7	Console Mounting Plate R.H.	4340624	4340613
8	Mid Rail	3640788	NCA
9	Gate Bar	4842922	4842922
10	Door Toe Plate	3640767	3640767
11	Toe Plate - Rear	3535544	---
12	Nameplate	3535534	---
13	Toe Plate L.H.	---	---
14	Toe Plate R.H.	---	---
15	Floor Plate Assembly w/ Screen (.75 x 9 GA)	NCA	NCA
	Floor Plate Assembly w/o Screen	NCA	NCA
16	Floor, Expanded Steel Screen (.75 x 9 GA)	3537855	3537858
17	Side, Expanded Steel Screen (.75 x 14 GA)	3535790	3535790
	Back, Expanded Steel Screen (.75 x 14 GA)	3535432	3535913
18	Hand Rail	3640372S	3640372S
19	Lanyard Attach Rod	3840732	3840732
21	Splice Coupling (for 1 1/4"O.D. .065 w. Tubing)	4566458	4566458
	Splice Coupling (for 1 1/4"O.D. .049 w. Tubing)	4566460	4566460
	Splice Coupling (for 3/4"O.D. .065 w. Tubing)	4566466	4566466
	Splice Coupling (for 3/4"O.D. .049 w. Tubing)	4566459	4566459
26	Vertical Rail	---	3640797
FIGURE NUMBER		10-8	10-3, 10-8

SECTION 3 - PLATFORM REPAIR PARTS LIST (H/HX MODELS)

FIGURE 3-9 EIGHT FOOT PLATFORMS (Part # 3510270/3510292/3510278/3510380/3510506)

PLATFORM ASSEMBLY PART NO.		3510270/292	3510278	3510380	3510506
PLATFORM SIZE		36" x 96"	36" x 96"	36" x 96"	36" x 96"
WHERE USED		40H, 50H, 60H, 70H, 80H, 110HX	40H, 50H, 60H, 70H, 80H/HX	80HX	40H, 60H, 80H, 80HX
ITEM	DESCRIPTION	PART NO.	PART NO.	PART NO.	PART NO.
1	Top Rail - Left Hand	3640669S	3640669S	3640669S	3640669S
2	Top Rail - Right Hand	3640670S	3640670S	3640670S	3640670S
3	Vertical Rail	3640659S	3640659S	3640659S	3640659S
4	Console Rail Guard	4565081S	4565081S	4565081S	4565081S
5	Console Support	4565082S	4565082S	4565082S	4565082S
6	Console Mounting Plate L.H.	4340612	4340612	4340612	4340612
7	Console Mounting Plate R.H.	4340613	4340613	4340613	4340613
8	Mid Rail	3640673S	NCA	NCA	3640673S
9	Gate (includes latch)	1780252S	1780252S	1780252S	1780288
10	Latch	2940006	2940006	2940006	2940006
11	Hinge Pin	2600143	2600143	2600143	2600143
12	Hinge Bushing	0961264	0961264	0961264	0961264
13	Toe Plate L.H.	---	---	---	---
14	Toe Plate R.H.	---	---	---	---
15	Floor Plate Assembly w/ Screen (.75 x 9 GA)	3510452	NCA	NCA	3510452
	Floor Plate Assembly w/o Screen	3510453	NCA	NCA	3510453
16	Floor, Expanded Steel Screen (.75 x 9 GA)	3537856	3537859	3537859	3537856
17	Side, Expanded Steel Screen (.75 x 14 GA)	3509582	3509582	3509582	3538899
	Back, Expanded Steel Screen (.75 x 14 GA)	3509534	3532852	3532852	3538900
18	Hand Rail	3640372S	3640372S	3640372S	3640372S
19	Lanyard Attach Rod	3840732	3840732	3840732	3840732
20	Stop, Door Latch	0361471	0361471	0361471	0361471
21	Splice Coupling (for 1 1/4"O.D. .065 w. Tubing)	4566458	4566458	4566458	4566458
	Splice Coupling (for 1 1/4"O.D. .049 w. Tubing)	4566460	4566460	4566460	4566460
	Splice Coupling (for 3/4"O.D. .065 w. Tubing)	4566466	4566466	4566466	4566466
	Splice Coupling (for 3/4"O.D. .049 w. Tubing)	4566459	4566459	4566459	4566459
22	Diagonal Rail	3640664	3640664	3640664	3640664
23	Switch Mount	---	---	0361750	---
24	Bumper Rail	---	---	3640613	---
25	Spacer	---	---	4564327	---
26	Vertical Rail	---	3640689	3640689	---
29	Stiffener Plate (Upper Back Screen Support)	---	---	---	4280297
FIGURE NUMBER		10-1, 10-3	10-1, 10-3	10-1, 10-3, 10-4	10-1, 10-3

SECTION 3 - PLATFORM REPAIR PARTS LIST (H/HX MODELS)

FIGURE 3-10 EIGHT FOOT PLATFORM (Part # 3510437)

PLATFORM ASSEMBLY PART NO.		3510437
PLATFORM SIZE		36" x 96"
WHERE USED		80H, 80HX
ITEM	DESCRIPTION	PART NO.
1	Top Rail	3640921
2	Vertical Rail - Entrance	3640720
3	Vertical Rail	3640659S
4	Console Rail Guard	4565081S
5	Console Support	4565082S
6	Console Mounting Plate L.H.	4340612
7	Console Mounting Plate R.H.	4340613
8	Mid Rail	3640673S
9	Gate Bar	4843666
10	Door Toe Plate	3640864
11	Toe Plate - Rear	3509560
13	Toe Plate L.H.	---
14	Toe Plate R.H.	---
15	Floor Plate Assembly w/ Screen (.75 x 9 GA)	NCA
	Floor Plate Assembly w/o Screen	NCA
16	Floor, Expanded Steel Screen (.75 x 9 GA)	3537856
17	Side, Expanded Steel Screen (.75 x 14 GA)	3509582
	Back, Expanded Steel Screen (.75 x 14 GA)	3509534
18	Hand Rail	3640372S
19	Lanyard Attach Rod	3840732
21	Splice Coupling (for 1 1/4"O.D. .065 w. Tubing)	4566458
	Splice Coupling (for 1 1/4"O.D. .049 w. Tubing)	4566460
	Splice Coupling (for 3/4"O.D. .065 w. Tubing)	4566466
	Splice Coupling (for 3/4"O.D. .049 w. Tubing)	4566459
22	Diagonal Rail	3640664
FIGURE NUMBER		10-3, 10-8

SECTION 4 - PLATFORM REPAIR PARTS LIST (HAX MODELS)

FIGURE 4-1 EIGHT FOOT PLATFORMS (Part # 3510329/3510445)

PLATFORM ASSEMBLY PART NO.		3510329	3510445
PLATFORM SIZE		36" x 96"	30" x 96"
WHERE USED		150HAX	150HAX
ITEM	DESCRIPTION	PART NO.	PART NO.
1	Top Rail - Left Hand	3640669S	3640912
2	Top Rail - Right Hand	3640670S	3640913
3	Vertical Rail	3640659S	3640659S
4	Console Rail Guard	4565081S	4565081S
5	Console Support	4565082S	4565082S
6	Console Mounting Plate L.H.	4340612	4340612
7	Console Mounting Plate R.H.	4340613	4340613
8	Mid Rail	NCA	NCA
9	Gate (includes latch)	1780253	1780253
10	Latch	2940006	2940006
11	Hinge Pin	2600179	2600179
12	Hinge Bushing	0961264	0961264
13	Toe Plate L.H.	---	---
14	Toe Plate R.H.	---	---
15	Floor Plate Assembly w/ Screen (.75 x 9 GA)	NCA	NCA
	Floor Plate Assembly w/o Screen	NCA	NCA
16	Floor, Expanded Steel Screen (.75 x 9 GA)	3534521	3537585
17	Side, Expanded Steel Screen (.75 x 14 GA)	3509582	3537586
	Back, Expanded Steel Screen (.75 x 14 GA)	3532852	3532852
18	Hand Rail	3640372S	3640915
19	Lanyard Attach Rod	3840732	3840732
20	Stop, Door Latch	0361471	0361471
21	Splice Coupling (for 1 1/4"O.D. .065 w. Tubing)	4566458	4566458
	Splice Coupling (for 1 1/4"O.D. .049 w. Tubing)	4566460	4566460
	Splice Coupling (for 3/4"O.D. .065 w. Tubing)	4566466	4566466
	Splice Coupling (for 3/4"O.D. .065 w. Tubing)	4566459	4566459
22	Diagonal Rail	3640664	3640664
23	Gate Bar	0361902	0361902
24	Hinge Pin	2600143	2600143
25	Switch Mount	3535431	3535431
26	Vertical Rail	3640689	3640689
27	Entrance Hand Rail	3640729	3640729
28	Intercom Mount	3535415	3535415
FIGURE NUMBER		10-3, 10-6, 10-7	10-3, 10-6, 10-7

THIS PAGE INTENTIONALLY LEFT BLANK

SECTION 5 - PLATFORM REPAIR PARTS LIST (e-boom & ic MODELS)

FIGURE 5-1 FOUR FOOT PLATFORMS (Part # 3510503/3510596/3510599/3510601/3510502)

PLATFORM ASSY PART NO.	3510503	3510596	3510599	3510601	3510502
PLATFORM SIZE	48"	48"	48"	48"	48"
WHERE USED	30e	35e, 40e, 45e, 40ic, 45ic	30e	35e, 40e, 45e, 40ic, 45ic	35e, 40e, 45e, 40ic, 45ic
ITEM	DESCRIPTION	PART NO.	PART NO.	PART NO.	PART NO.
1	Top Rail - Left Hand	3641035	3641035	3641035	3641035
1A	Top Rail – Door Rail	---	---	---	3641038
2	Top Rail - Right Hand	3641036	3641036	3641036	3641036
3	Vertical Rail	3641027	3641027	3641027	3641027
4	Console Rail Guard	3641029	3641029	3641029	3641029
5	Console Mounting Plate	3537233	3537233	3537233	3537233
6	Mid Rail	3641034	3641034	3641034	3641034
7	Gate (including latch)	1780265	1780299	1780299	4844102
8	Latch	2940006	2940006	2940006	---
9	Hinge	2600189	2600223	2600223	---
10	Toe Plate - Left Hand	3535652	3535652	3535652	3536652
11	Toe Plate - Right Hand	3535651	3535651	3535651	3536651
12	Floor Assembly	NCA	NCA	NCA	NCA
13	Floor Plate	NCA	NCA	NCA	NCA
14a	Screen - Side	---	---	---	---
14b	Screen - Back	---	---	---	---
15	Handrail	3641030	3641030	3641030	3641030
16	Lanyard Anchorage Point	3840732	3840732	3840732	3840732
17	Stop, Door Latch & Hinge	0361471	0361471	0361471	---
17a	Stop, Hinge	---	3570235	3570235	---
18	Console Rail Guard Support Plate	3538734	3538734	3538734	3538734
19	Door Rail	3641031	3641031	3641031	3641031
20	Splice Coupling (for 1 1/4"O.D. .065 w. Tubing)	4566458	4566458	4566458	4566458
	Splice Coupling (for 1 1/4"O.D. .049 w. Tubing)	4566460	4566460	4566460	4566460
	Splice Coupling (for 3/4"O.D. .065 w. Tubing)	4566466	4566466	4566466	4566466
	Splice Coupling (for 3/4"O.D. .049 w. Tubing)	4566459	4566459	4566459	4566459
21	Step Support	---	---	---	0362236
22	Step Rail	---	---	---	4566176
FIGURE NUMBER		10-10	10-10	10-10	10-11

SECTION 5 - PLATFORM REPAIR PARTS LIST (e-boom & ic MODELS)

FIGURE 5-2 FIVE FOOT PLATFORMS (Part # 3510584/3510498/3510598)

PLATFORM ASSEMBLY PART NO.		3510584	3510498	3510598
PLATFORM SIZE		60"	60"	60"
WHERE USED		35e, 40e, 45e, 40ic, 45ic	35e, 40e, 45e	35e, 40e, 45e, 40ic, 45ic
ITEM	DESCRIPTION	PART NO.	PART NO.	PART NO.
1	Top Rail - Left Hand	3641026	3641026	3641026
2	Top Rail - Right Hand	3641028	3641028	3641028
3	Vertical Rail	3641027	3641027	3641027
4	Console Rail Guard	3641029	3641029	3641029
5	Console Mounting Plate	3537233	3537233	3537233
6	Mid Rail	3641025	3641025	3641025
7	Gate (including latch)	1780299	1780265	1780300
8	Latch	2940006	2940006	2940006
9	Hinge	2600223	2600189	2600223
10	Toe Plate - Left Hand	3537989	3537989	---
11	Toe Plate - Right Hand	3537988	3537988	---
12	Floor Assembly	NCA	NCA	NCA
13	Floor Plate	3537987	3537987	3537987
14a	Screen - Side	---	---	3538912
14b	Screen - Back	---	---	3538954
15	Handrail	3641030	3641030	3641030
16	Lanyard Anchorage Point	3840732	3840732	3840732
17	Stop, Door Latch And Hinge	0361471	0361471	0361471
17a	Stop, Hinge	3570235	---	3570235
18	Console Rail Guard Support Plate	3538734	3538734	3538734
19	Door Rail	3641031	3641031	---
20	Splice Coupling (for 1 1/4"O.D. .065 w. Tubing)	4566458	4566458	4566458
	Splice Coupling (for 1 1/4"O.D. .049 w. Tubing)	4566460	4566460	4566460
	Splice Coupling (for 3/4"O.D. .065 w. Tubing)	4566466	4566466	4566466
	Splice Coupling (for 3/4"O.D. .049 w. Tubing)	4566459	4566459	4566459
FIGURE NUMBER		10-10	10-10	10-12

SECTION 6 - PLATFORM REPAIR PARTS LIST (FRONT ENTRY) (450A/AJ MODELS)

**FIGURE 6-1 FOUR, FIVE AND SIX FOOT PLATFORMS (Part#3510610/3510611/
3510612/3510673/3510677)**

PLATFORM ASSEMBLY PART NO.		3510610	3510611	3510612	3510673	3510677
PLATFORM SIZE		72"	60"	48"	72" w/ mesh	60" w/ mesh
WHERE USED		450A & AJ	450A & AJ	450A & AJ	450A & AJ	450A & AJ
ITEM	DESCRIPTION	PART NO.	PART NO.	PART NO.	PART NO.	PART NO.
1	Floor Mesh	3570467	3570468	3570469	3570467	3570468
2	Kick Rail	3570779	3570780	3570781	3570779	3570780
3	Kick Rail	3570804	3570805	3570806	3570804	3570805
4	Floor Weldment	NCA	NCA	NCA	NCA	NCA
5	Rail, End Top	3641223	3641223	3641223	3641223	3641223
6	Rail, End Bottom	3641224	3641224	3641224	3641224	3641224
7	Rail, Gate Left	3641225	3641225	3641225	3641225	3641225
8	Rail, Gate Right	3641226	3641226	3641226	3641226	3641226
9	Rail, Guard	3641227	3641227	3641227	3641227	3641227
10	Rail, Gate	3641228	3641229	3641230	3641228	3641229
11	Rail, Vertical Back	3641231	3641231	3641231	3641231	3641231
12	Handrail	3641253	3641253	3641253	3641253	3641253
13	Handrail	3641254	3641254	3641254	3641254	3641254
14	Lanyard Anchorage Point	3841232	3841232	3841232	3841232	3841232
15	Weld Stud, Knock Off	4300031	4300031	4300031	4300031	4300031
16	Box Support	4340704	4340704	4340704	4340704	4340704
17	Box Support	4340705	4340705	4340705	4340705	4340705
18	Tube, Gate Bottom	4567342	4567342	4567342	4567342	4567342
19	Bar	---	---	---	0362788	0362788
20	Bar	---	---	---	0362789	0362789
21	Mesh, Right End	---	---	---	3571036	3571065
22	Mesh, Left End	---	---	---	3571037	3571066
23	Gate Weldment	4845327	4845327	4845327	4845824	4845327
24	Latch Plate	3539685	3539685	3539685	3539685	3539685
25	Gate Stop	4220165	4220165	4220165	4220165	4220165
26	Gate Hinge	2600216	2600216	2600216	2600216	2600216
27	Gate Latch	2940074	2940074	2940074	2940074	2940074
FIGURE NUMBER		10-14	10-14	10-14	10-14	10-14

THIS PAGE INTENTIONALLY LEFT BLANK

SECTION 7 - PLATFORM REPAIR PARTS LIST (FRONT ENTRY) (601S MODELS)

FIGURE 7-1 SIX AND EIGHT FOOT PLATFORMS (Part # 3510654/3510622)

PLATFORM ASSEMBLY PART NO.		3510654	3510622
PLATFORM SIZE		72"	96"
WHERE USED		601S	601S
ITEM	DESCRIPTION	PART NO.	PART NO.
1	Kick Rail	3570779	3570765
2	Floor Plate	3571031	3570766
3	Kick Rail	3571032	3570765
4	Floor Weldment	NCA	NCA
5	Rail, End Top	3641223	3641223
6	Rail, End Bottom	3641224	3641224
7	Rail, Guard	3641227	3641227
8	Rail, Mid	3641228	3641252
9	Rail, Vertical Back	3641231	3641231
10	Handrail	3641253	4567341
11	Handrail	3641254	---
12	Rail, Top and Drop Bar	3641255	3641251
13	Rail, Gate Right	3641258	3641258
14	Lanyard Anchorage Point	3841232	3841232
15	Box Support	4340704	4340704
16	Box Support	4340705	4340705
17	Tube, Gate Bottom	4567342	4567480
18	Tube, Spacer	4567470	4567470
19	Tube	3641319	3641319
20	Rail, Gate Left	3641258	3641258
21	Huck	---	---
22	Hinge	---	---
23	Latch	---	---
24	Gate	---	---
25	Plate, Latch	---	---
26	Stop, Gate	---	---
FIGURE NUMBER		10-15	10-15

SECTION 7 - PLATFORM REPAIR PARTS LIST (FRONT ENTRY) (400S & 800S MODELS)

FIGURE 7-2 EIGHT FOOT PLATFORMS (Part # 3510772)

PLATFORM ASSEMBLY PART NO.		3510772
PLATFORM SIZE		96"
WHERE USED		400S 800S
ITEM	DESCRIPTION	PART NO.
1	Kick Rail	3572621
2	Floor Plate	3572622
3	Kick Rail	3572621
4	Floor Weldment	NCA
5	Rail, End Top	3641223
6	Rail, End Bottom	3641224
7	Rail, Guard	3641227
8	Rail, Mid	3641383
9	Rail, Vertical Back	3641231
10	Handrail	4568159
11	Handrail	4568159
12	Rail, Top	3641383
13	Rail, Gate Right	3641226
14	Lanyard Anchorage Point	3841232
15	Box Support	4340704
16	Box Support	4340705
17	Tube, Gate Bottom	4567480
18	Tube, Spacer	4567470
19	Tube	3641319
20	Rail, Gate Left	3641225
21	Huck	2080040
22	Hinge	2600216
23	Latch	2940074
24	Gate	4845327
25	Plate, Latch	3539685
26	Stop, Gate	4220165
FIGURE NUMBER		10-15

SECTION 8 - PLATFORM REPAIR PARTS LIST (FRONT ENTRY) (E300, E/M45A, 400S, E/M400A/AJP, E/M450A, & E/M600 MODELS)

**FIGURE 8-1 FOUR & FIVE FOOT PLATFORMS (Part # 3510693/3510694/3510711/3510714/
3510725/3510735)**

PLATFORM ASSEMBLY PART NO.		3510693	3510694	3510711	3510714	3510725	3510735
PLATFORM SIZE		60"	48"	48"	48"	48"	60"
WHERE USED		E300A E/M45A E/M400A E/M400AJP	E300A E/M45A E/M400A E/M450A	E300A 400S	E300A 400S E/M400A E/M400AJP	E300A 400S E/M400A E/M400AJP E/M450A	E/M400A E/M400AJP E/M450A
ITEM	DESCRIPTION	PART NO.	PART NO.	PART NO.	PART NO.	PART NO.	PART NO.
1	Floor Mesh	3570468	3570469	3570469	3570469	3570469	3570468
2	Kick Rail	3570780	3570781	3570781	3570781	3570781	3570780
3	Kick Rail	3570805	3570806	3570806	3570806	3570806	3570805
4	Floor Weldment	NCA	NCA	NCA	NCA	NCA	NCA
5	Rail, End Top	3641223	3641223	3641223	3641223	3641223	3641223
6	Rail, End Bottom	3641224	3641224	3641224	3641224	3641224	3641224
7	Rail, Gate Left	3641225	3641225	3641225	3641225	3641225	3641225
8	Rail, Gate Right	3641226	3641226	3641226	3641226	3641226	3641226
9	Rail, Guard	3641227	3641227	3641227	3641227	3641227	3641227
10	Rail, Gate	3641229	3641230	3641230	3641230	3641230	3641229
11	Rail, Vertical Back	3641231	3641231	3641231	3641231	3641231	3641231
12	Handrail	3641253	3641253	3641253	3641253	3641253	3641253
13	Handrail	3641254	3641254	3641254	3641254	3641254	3641254
14	Tube	3641319	3641319	3641273	3641319	3641273	3641319
15	Lanyard Anchorage Point	3841232	3841232	3841232	3841232	3841232	3841232
16	Box Support	4340704	4340704	4340704	4340704	4340704	4340704
17	Box Support	4340705	4340705	4340705	4340705	4340705	4340705
18	Tube, Gate Bottom	4567342	4567342	4567342	4567342	4567342	4567342
19	Weld Stud, Knock Off	4300031	4300031	4300031	4300031	4300031	4300031
20	Gate Weldment	4845327	4845327	4845824	4845426	4845951	4845951
21	Latch Plate	3539685	3539685	3539685	3539685	3539685	3539685
22	Gate Stop	4220165	4220165	4220165	4220165	4220165	4220165
23	Gate Hinge	2600216	2600216	2600216	2600287	2600287	2600287
24	Gate Latch	2940074	2940074	2940074	2940074	2940074	2940074
25	Huck Fastener	2080040	2080040	2080040	2080040	2080040	2080040
26	Mesh Right Side	---	---	3571553	---	3571553	3571065
27	Mesh Left Side	---	---	3571554	---	3571554	3571066
28	Lanyard Anchorage Point Left Side	---	---	3841434	---	3841434	---
29	Lanyard Anchorage Point Right Side	---	---	3841435	---	3841435	---
FIGURE NUMBER		10-16, 10-17	10-16	10-16, 10-17	10-16	10-16	10-16

**SECTION 8 - PLATFORM REPAIR PARTS LIST (FRONT ENTRY)
(E300, E/M45A, 400S, E/M400A/AJP, E/M450A, & E/M600 MODELS)**

FIGURE 8-2 FOUR & FIVE FOOT PLATFORMS (Part # 3510695/3510696)

PLATFORM ASSEMBLY PART NO.		3510695	3510696
PLATFORM SIZE		60" w/ bar	48" w/ bar
WHERE USED		E300, E/M45A	E300, E/M45A
ITEM	DESCRIPTION	PART NO.	PART NO.
1	Kick Rail	3570780	3570781
2	Floor	3570783	3570784
3	Kick Rail	3570805	3570806
4	Floor Weldment	NCA	NCA
5	Rail, End Top	3641223	3641223
6	Rail, End Bottom	3641224	3641224
7	Rail, Guard	3641227	3641227
8	Rail, Gate	3641229	3641230
9	Rail, Vertical Back	3641231	3641231
10	Handrail	3641253	3641253
11	Handrail	3641254	3641254
12	Rail, Top	3641256	3641257
13	Rail, Euro/Bar	3641258	3641258
14	Tube	3641319	3641273
15	Lanyard Anchorage Point	3841232	3841232
16	Box Support	4340704	4340704
17	Box Support	4340705	4340705
18	Tube, Gate Bottom	4567342	4567342
19	Weld Stud, Knock Off	4300031	4300031
20	Gate Weldment	4845288	4845288
FIGURE NUMBER		10-18	10-18

**SECTION 8 - PLATFORM REPAIR PARTS LIST (FRONT ENTRY)
(E300, E/M45A, 400S, E/M400A/AJP, E/M450A, & E/M600 MODELS)**

FIGURE 8-3 SIX FOOT PLATFORMS (Part # 3510738/3510742/3510744/3510754)

PLATFORM ASSEMBLY PART NO.		3510738	3510742	3510744	3510754
PLATFORM SIZE		72"	72"	72"	72"
WHERE USED		E/M600, 400S	E/M600, 400S	E/M600, 400S	E/M600, 400S
ITEM	DESCRIPTION	PART NO.	PART NO.	PART NO.	PART NO.
1	Floor Mesh	3570467	3570467	3570467	3570467
2	Kick Rail	3570779	3570779	3570779	3570779
3	Kick Rail	3570804	3570804	3570804	3570804
4	Floor Weldment	NCA	NCA	NCA	NCA
5	Rail, End Top	3641223	3641223	3641223	3641223
6	Rail, End Bottom	3641224	3641224	3641224	3641224
7	Rail, Gate Left	3641225	3641225	3641225	3641225
8	Rail, Gate Right	3641226	3641226	3641226	3641226
9	Rail, Guard	3641227	3641227	3641227	3641227
10	Rail, Gate	3641228	3641228	3641228	3641228
11	Rail, Vertical Back	3641231	3641231	3641231	3641231
12	Handrail	3641253	3641253	3641253	3641253
13	Handrail	3641254	3641254	3641254	3641254
14	Tube	3641319	3641319	3641319	3641319
15	Lanyard Anchorage Point	3841232	3841232	3841232	3841232
16	Box Support	4340704	4340704	4340704	4340704
17	Box Support	4340705	4340705	4340705	4340705
18	Tube, Gate Bottom	4567342	4567342	4567342	4567342
19	Weld Stud, Knock Off	4300031	4300031	4300031	4300031
20	Gate Weldment	4845327	4845426	4845824	4845951
21	Latch Plate	3539685	3539685	3539685	3539685
22	Gate Stop	4220165	4220165	4220165	4220165
23	Gate Hinge	2600216	2600219	2600216	2600219
24	Gate Latch	2940074	2940074	2940074	2940074
25	Huck Magnalock Fastener	2080040	2080040	2080040	2080040
26	Right Side Mesh	---	---	---	3572185
27	Left Side Mesh	---	---	---	3572184
FIGURE NUMBER		10-16	10-16	10-16	10-16

**SECTION 8 - PLATFORM REPAIR PARTS LIST (FRONT ENTRY)
(E300, E/M45A, 400S, E/M400A/AJP, E/M450A, & E/M600 MODELS)**

FIGURE 8-4 EIGHT FOOT PLATFORMS (Part # 3510675/3510749/3510753)

PLATFORM ASSEMBLY PART NO.		3510675	3510749	3510753
PLATFORM SIZE		96"	96"	96"
WHERE USED		400S, E/M600	400S, E/M600	400S, E/M600
ITEM	DESCRIPTION	PART NO.	PART NO.	PART NO.
1	Floor Mesh	3570766	3570766	3570766
2	Kick Rail	3570765	3570765	3570765
4	Floor Weldment	NCA	NCA	NCA
5	Rail, End Top	3641223	3641223	3641223
6	Rail, End Bottom	3641224	3641224	3641224
7	Rail, Gate Left	3641225	3641225	3641225
8	Rail, Gate Right	3641226	3641226	3641226
9	Rail, Guard	3641227	3641227	3641227
10	Rail, Gate	3641252	3641252	3641252
11	Rail, Vertical Back	3641231	3641231	3641231
12	Handrail	4567341	4567341	4567341
14	Tube	3641319	3641319	3641319
15	Lanyard Anchorage Point	3841232	3841232	3841232
16	Box Support	4340704	4340704	4340704
17	Box Support	4340705	4340705	4340705
18	Tube, Gate Bottom	4567480	4567480	4567480
19	Weld Stud, Knock Off	4300031	4300031	4300031
20	Gate Weldment	4845327	4845426	4845951
21	Latch Plate	3539685	3539685	3539685
22	Gate Stop	4220165	4220165	4220165
23	Gate Hinge	2600216	2600219	2600219
24	Gate Latch	2940074	2940074	2940074
25	Huck Magnalock Fastener	2080040	2080040	2080040
26	Right Side Mesh	---	---	3571994
27	Left Side Mesh	---	---	3571995
30	Cover Mounting Plate	3572181	3572181	3572181
31	Spacer Tube	4567470	4567470	4567470
32	Edge Protector Tube	---	---	4567968
FIGURE NUMBER		10-16, 10-17	10-16, 10-17	10-16, 10-17

**SECTION 9 - PLATFORM REPAIR PARTS LIST (SIDE ENTRY)
(400S, 450A/AJ Series II, 460SJ, 510AJ, 600A/AJ, 600S/SJ/SkySaw,
600SC/SJC, E/M600/J/JP, 601S, 660SJ, 660SJC, 800A/AJ, 800S,
860SJ, 1200SJP & 1350SJP MODELS)**

FIGURE 9-1 30" PLATFORMS (Part # 3510830/3510831/3510832)

PLATFORM ASSEMBLY PART NO.		3510830	3510831	3510832
PLATFORM SIZE		30" x 48"	30" x 60"	30" x 72"
WHERE USED		400S, 450A/AJ Series II, 460SJ, 510AJ, E/M600/J/JP, 600S/SJ, 660SJ, 800S, 860SJ	400S, 450A/AJ Series II, 460SJ, 510AJ, 600S/SJ, 660SJ, 601S, 800S, 860SJ	400S, 450A/AJ Series II, 460SJ, 510AJ, E/M600/J/JP, 600S/SJ, 660SJ, 601S
ITEM	DESCRIPTION	PART NO.	PART NO.	PART NO.
1	Huck Fastener	2080040	2080040	2080040
2	Gate Hinge, Self Closing	2600281	2600281	2600281
3	Gate Latch	2940074	2940074	2940074
4	Gate Weldment	4846452	4846452	4846452
5	Latch Plate	3573425	3573425	3573425
6	Kick Rail Plate	3573632	3573674	3573716
7	Kick Rail Plate	3573633	3573675	3573717
8	Floor Plate	3573634	3573676	3573718
9	Doubler	3573640	3573640	3573640
10	Rail, End Top	3641223	3641223	3641223
11	Rail, End Bottom	3641224	3641224	3641224
12	Rail, Guard	3641227	3641227	3641227
13	Rail, Vertical Back	3641231	3641231	3641231
14	Tube	3641319	3641319	3641319
15	Rod, Lanyard Attach	Not Required	Not Required	3841232
16	Tube, Handrail	Not Required	Not Required	3641477
17	Tube, Kick Rail	4568460	4568460	4568460
18	Rail, Vertical	4568461	4568461	4568461
19	Rail, Vertical	4568462	4568462	4568462
20	Rail, Top	3641459	3641462	3641467
21	Corner, Curve	3641461	3641464	3641469
FIGURE NUMBER		10-19	10-19	10-19

**SECTION 9 - PLATFORM REPAIR PARTS LIST (SIDE ENTRY)
(400S, 450A/AJ Series II, 460SJ, 510AJ, 600A/AJ, 600S/SJ/SkySaw,
600SC/SJC, E/M600/J/JP, 601S, 660SJ, 660SJC, 800A/AJ, 800S,
860SJ, 1200SJP & 1350SJP MODELS)**

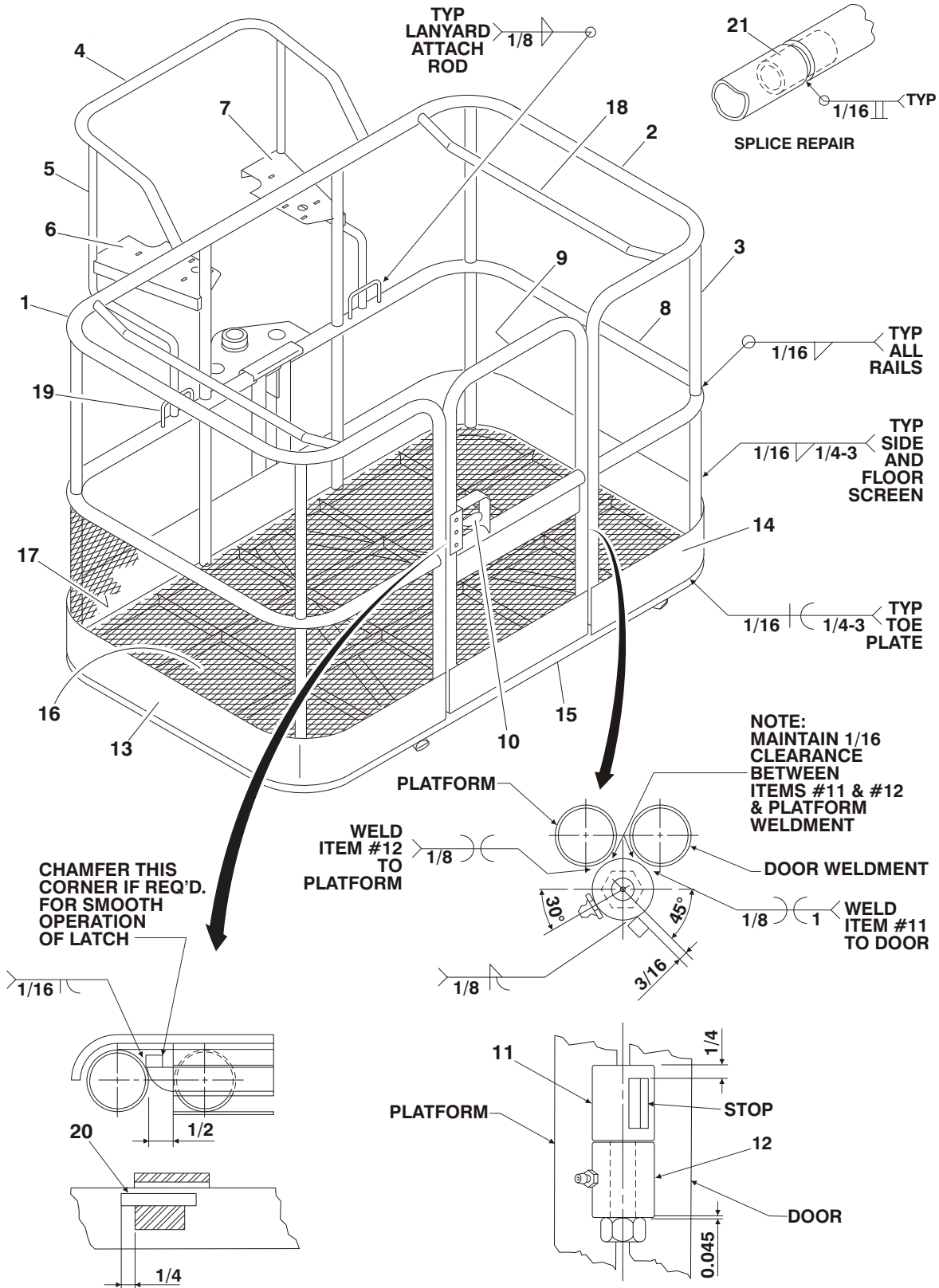
FIGURE 9-2 36" PLATFORMS (Part # 3510830/3510831/3510832)

PLATFORM ASSEMBLY PART NO.		3510833	3510822
PLATFORM SIZE		36" x 72"	36" x 96"
WHERE USED		400S, 460SJ, 600A/AJ, 600S/SJ/SC/SJC, 660SJ/SJC, 800A/AJ, 800S 860SJ, 1200SJP, 1350SJP	400S, 460SJ, 600A/AJ, 600S/SJ/SC/SJC, 600SkySaw, 660SJ/SJC, 800A/AJ, 800S, 860SJ, 1200SJP, 1350SJP
ITEM	DESCRIPTION	PART NO.	PART NO.
1	Huck Fastener	2080040	2080040
2	Gate Hinge, Self Closing	2600281	2600281
3	Gate Latch	2940074	2940074
4	Gate Weldment	4846452	4846452
5	Latch Plate	3573425	3573425
6	Kick Rail Plate	3573428	3573428
7	Kick Rail Plate	3573612	3573612
8	Floor Plate	3573825	3573509
9	Kick Rail Plate	3573823	3573508
10	Doubler	3573640	3573640
11	Kick Rail Plate	3573824	3573726
12	Rail, End Top	3641223	3641223
13	Rail, End Bottom	3641224	3641224
14	Rail, Guard	3641227	3641227
15	Rail, Vertical	3641231	3641231
16	Tube	3641319	3641319
17	Rod, Lanyard Attach	3841232	3841232
18	Tube, Handrail	4568159	4568159
19	Tube, Handrail	3641477	4568457
20	Rail, Side Entry	3641475	4568458
21	Rail, Side Entry	3641476	4568459
22	Tube, Kick Rail	4568460	4568460
23	Rail, Vertical	4568461	4568461
24	Rail, Vertical	4568462	4568462
FIGURE NUMBER		10-20	10-20

SECTION 10 PLATFORM REPAIR ILLUSTRATIONS

TABLE OF CONTENTS		
FIGURE	DESCRIPTION	PAGE
10-1	Standard Front Entry Platforms With Kickplates (H, HA & HX Models)	10-2
10-2	Standard Front Entry Platforms With Kickplates (HA Models)	10-3
10-3	Standard Front Entry Platforms Without Kickplates (H, HA, HAX & HX Models)	10-4
10-4	Standard Front Entry Platforms With Soft-Touch Option (H & HA Models)	10-5
10-5	Low Mount Front Entry Platform (3510231 Platform Only)(H & HX Models)	10-6
10-6	Standard Front Entry Platforms With Kickplates (HAX Models)	10-7
10-7	Low Mount Front Entry Platforms (HAX Models)	10-8
10-8	Standard Front Entry Platforms With Kickplates (H & HX Models)	10-9
10-9	Standard Front Entry Platform (3510585 Platform Only)(HX Models)	10-10
10-10	Standard Front Entry Platforms With Kickplates (e-Boom & ic Models)	10-11
10-11	Standard Front Entry Platforms With Kickplates (e-Boom & ic Models)	10-12
10-12	Standard Front Entry Platforms (3510598 Platform Only) (e-Boom & ic Models)	10-13
10-13	Standard Front Entry Platforms (3510601 Platform Only) (e-Boom & ic Models)	10-14
10-14	Standard Front Entry Platforms (450A/AJ Models)	10-15
10-15	Standard Front Entry Platforms (400S, 601S & 800S Models)	10-16
10-16	Standard Front Entry Platforms (E300, E/M45, 400S, E/M400A, E/M450A & E/M600 Models)	10-18
10-17	Standard Front Entry Platforms (E300, E/M45, 400S, E/M400A, E/M450A & E/M600 Models)	10-20
10-18	Standard Front Entry Platforms (E300 & E/M45 Models)	10-22
10-19	Standard Side Entry 30" Platforms (400S, 450A/AJ Series II, 460SJ, 510AJ, 600S/SJ 660SJ, M/E600/J/JP, 601S, 800S & 860SJ Models)	10-24
10-20	Standard Side Entry 36" Platforms (400S, 460SJ, 600A/AJ, 600S/SJ/SkySaw, 600SC/SJC, 660SJ/SJC, 800A/AJ, 800S, 860SJ, 1200SJP & 1350SJP Models)	10-26

FIGURE 10-1. STANDARD FRONT ENTRY PLATFORMS WITH KICKPLATES (H, HA & HX MODELS)



SECTION 10 PLATFORM REPAIR ILLUSTRATIONS

FIGURE 10-2. STANDARD FRONT ENTRY PLATFORMS WITH KICKPLATES (HA MODELS)

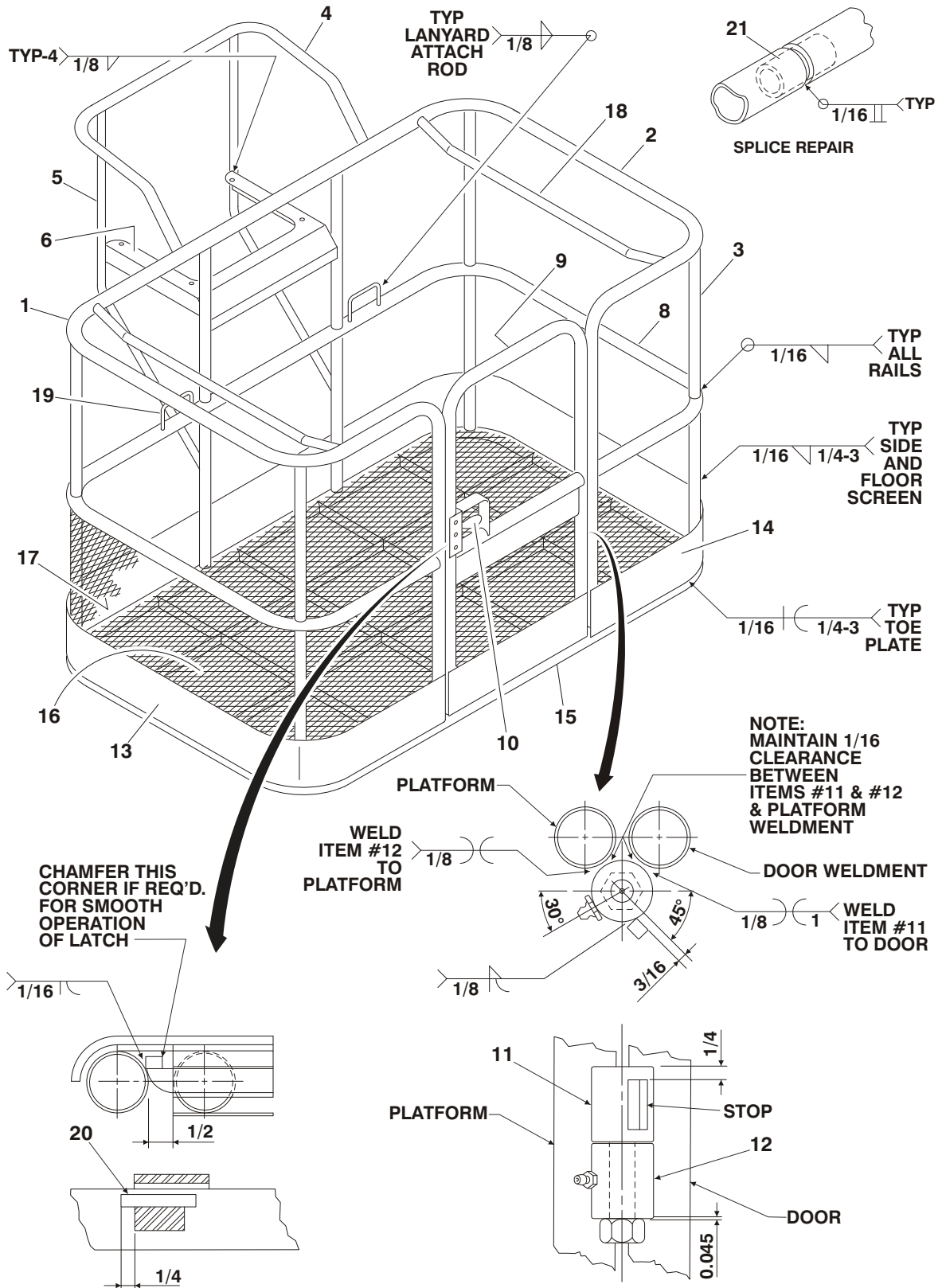
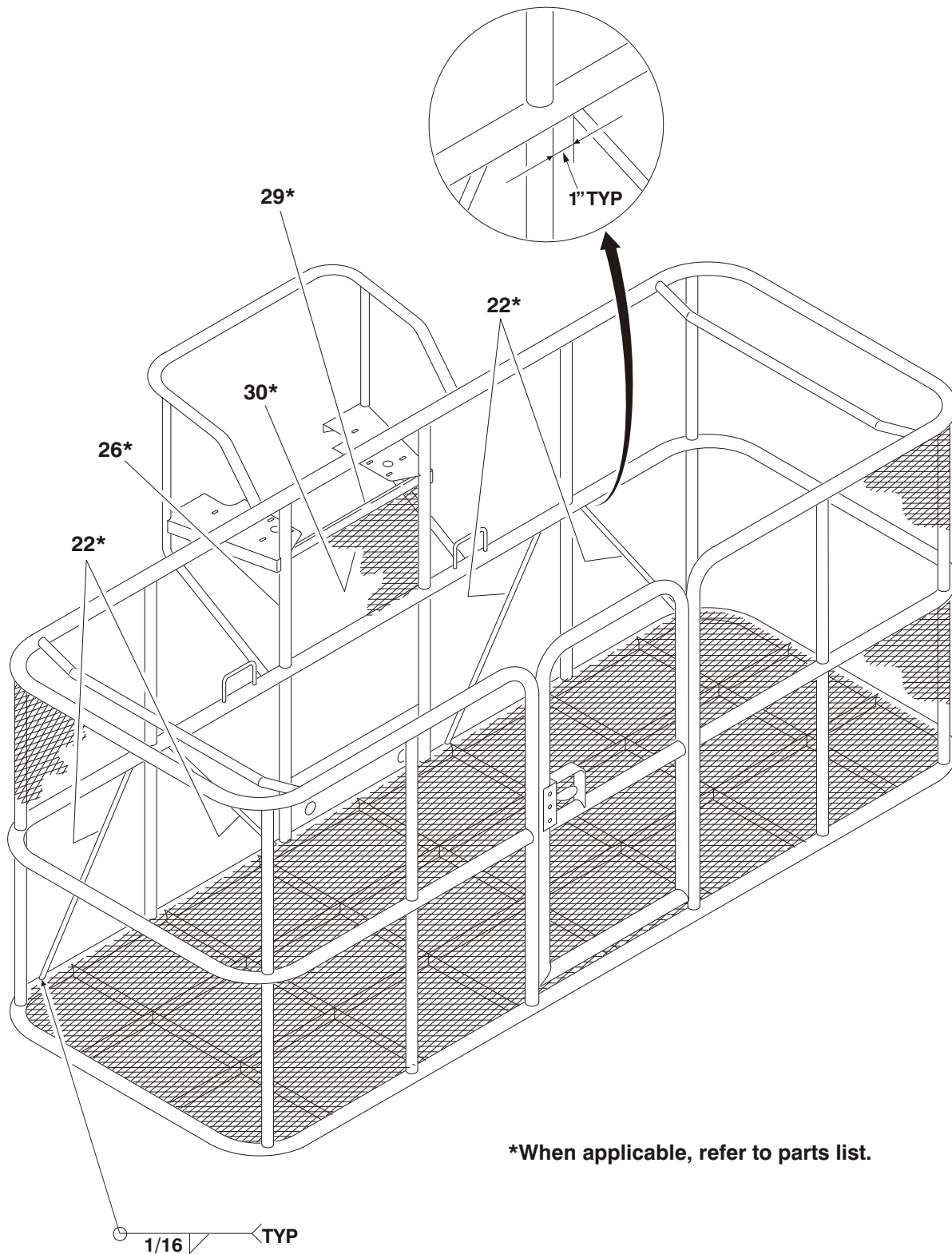


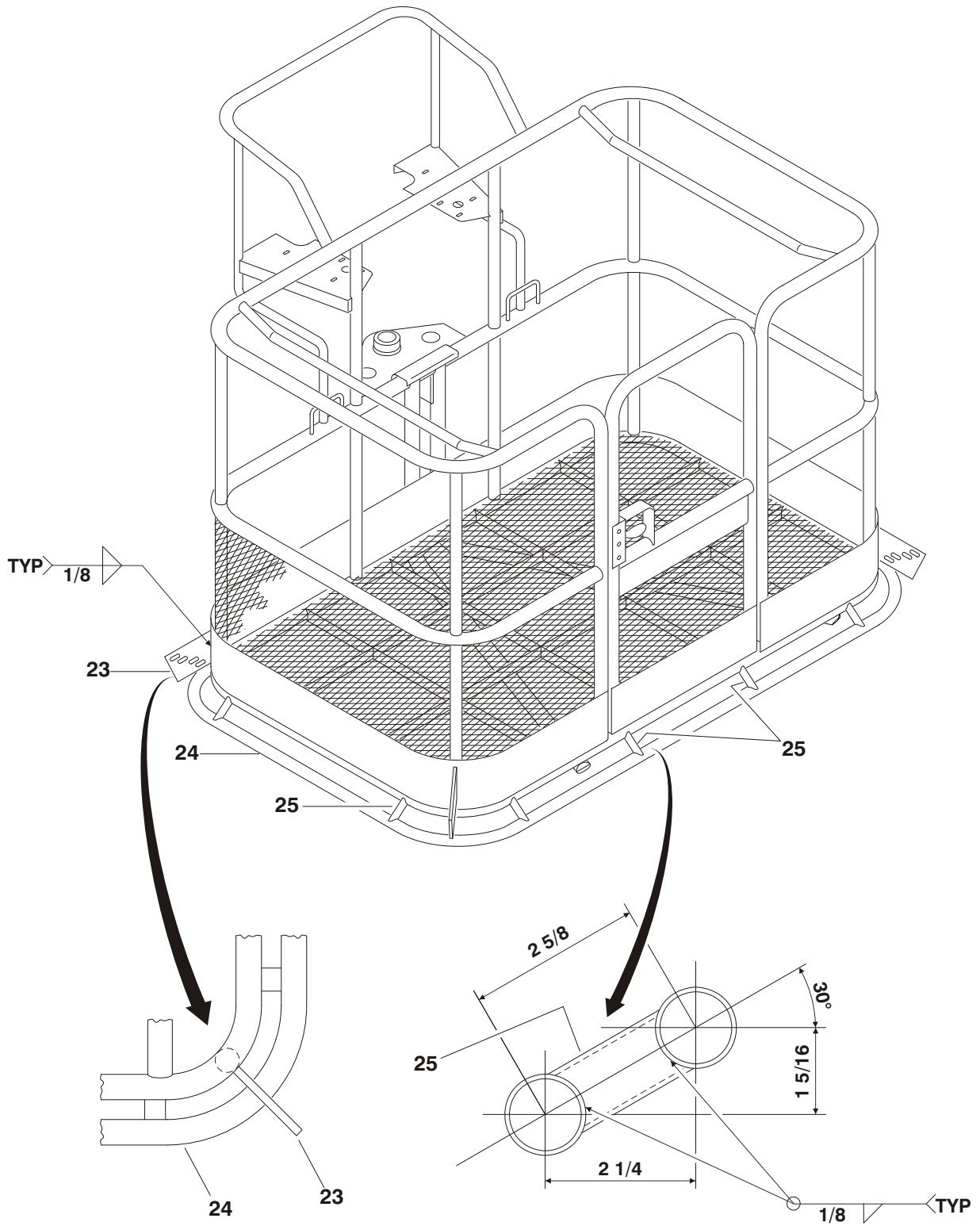
FIGURE 10-3. STANDARD FRONT ENTRY PLATFORMS WITHOUT KICKPLATES (H, HA, HAX & HX MODELS)



*When applicable, refer to parts list.

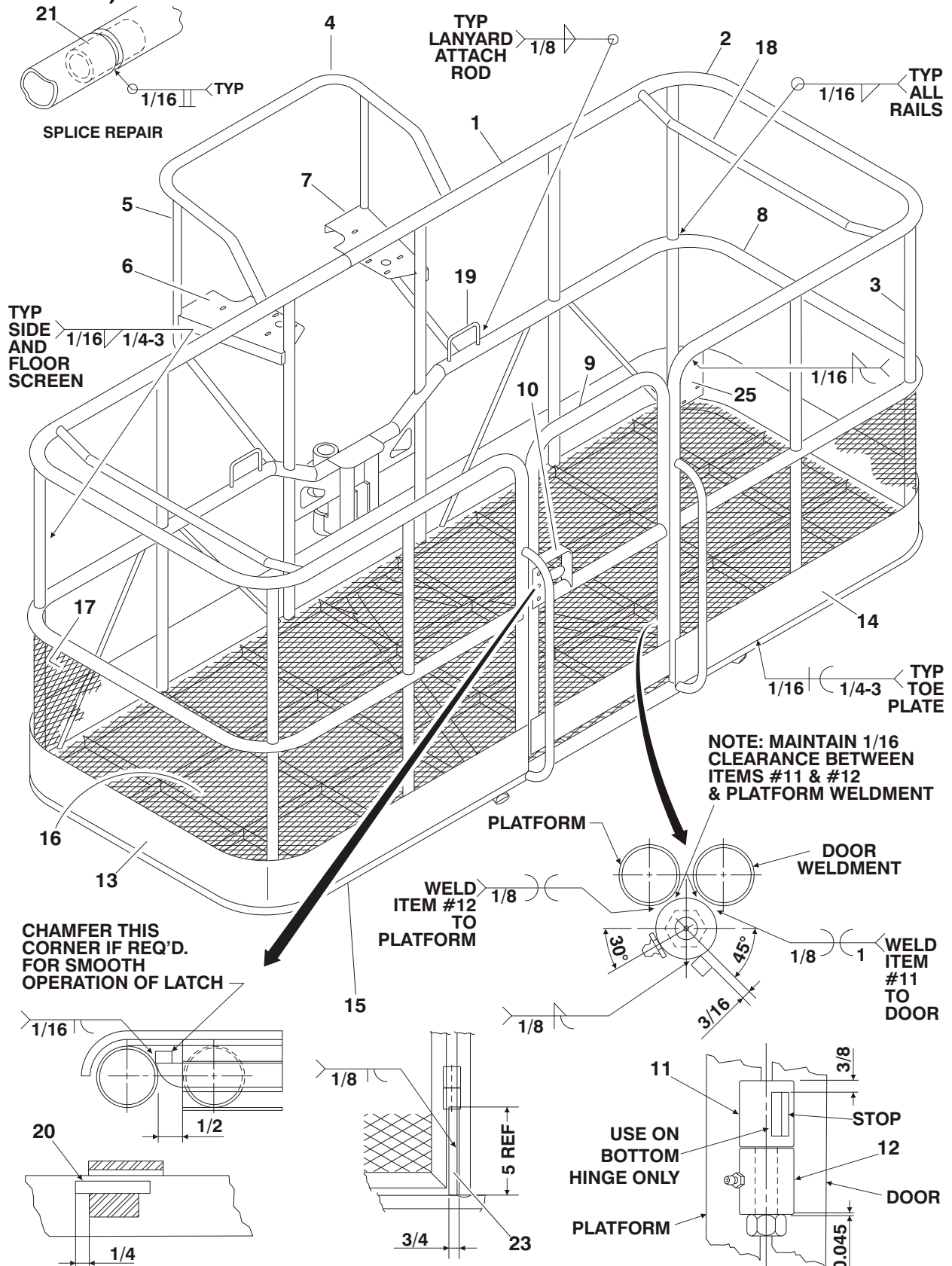
SECTION 10 PLATFORM REPAIR ILLUSTRATIONS

FIGURE 10-4. STANDARD FRONT ENTRY PLATFORMS WITH SOFT-TOUCH OPTION (H & HA MODELS)



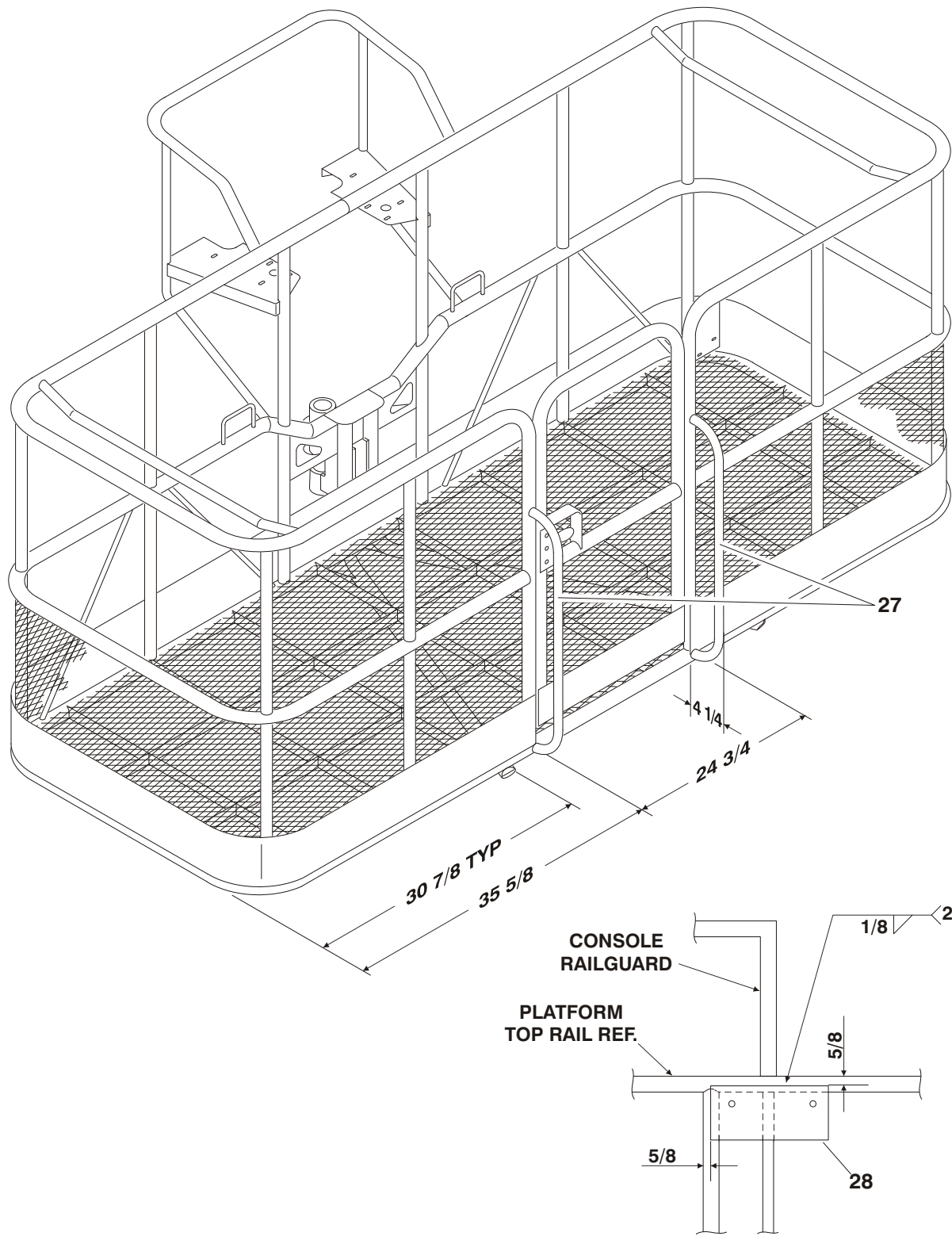
SECTION 10 PLATFORM REPAIR ILLUSTRATIONS

FIGURE 10-6. STANDARD FRONT ENTRY PLATFORMS WITH KICKPLATES (HAX MODELS)



SECTION 10 PLATFORM REPAIR ILLUSTRATIONS

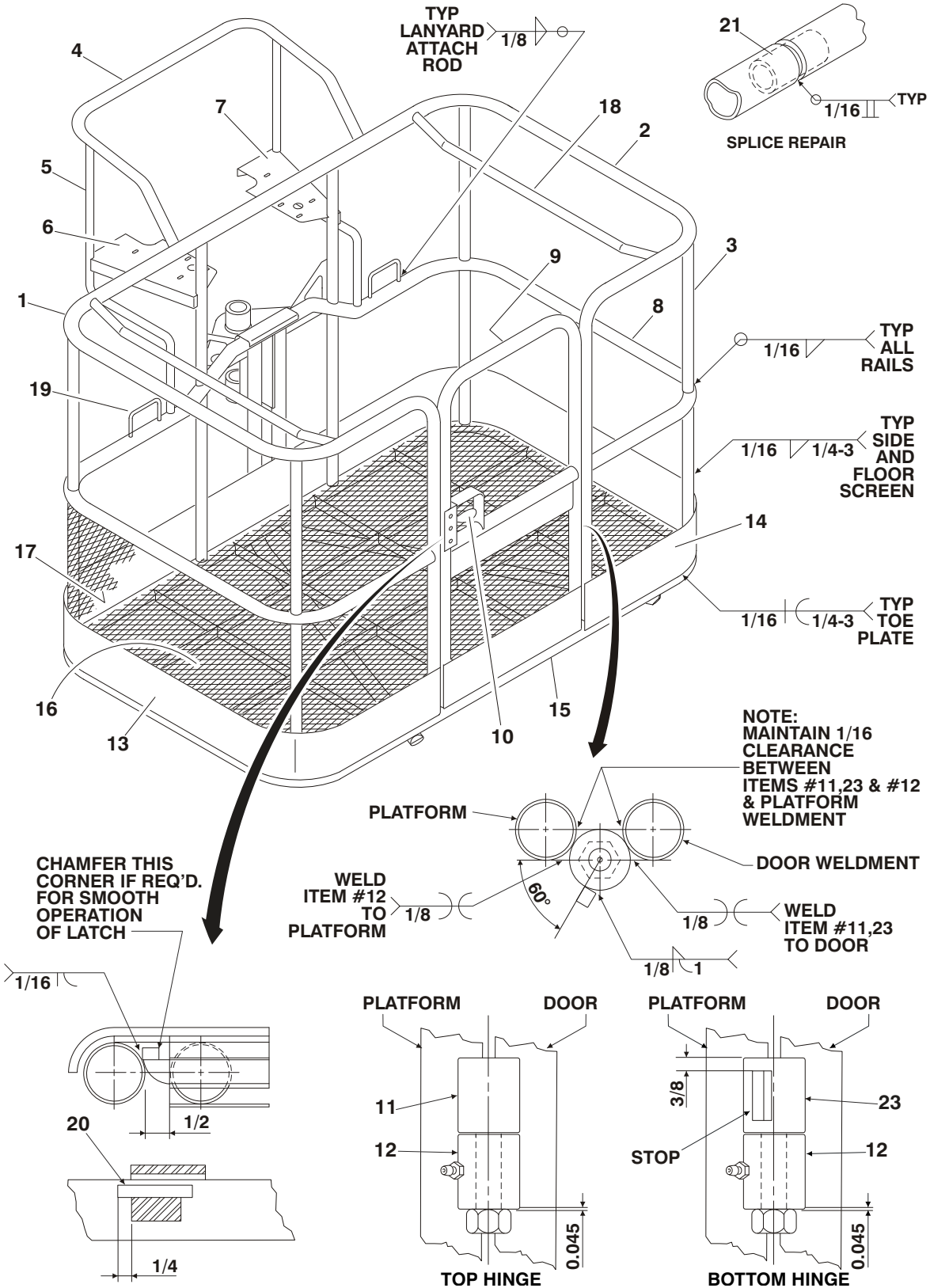
FIGURE 10-7. LOW MOUNT FRONT ENTRY PLATFORMS (HAX MODELS)



SECTION 10

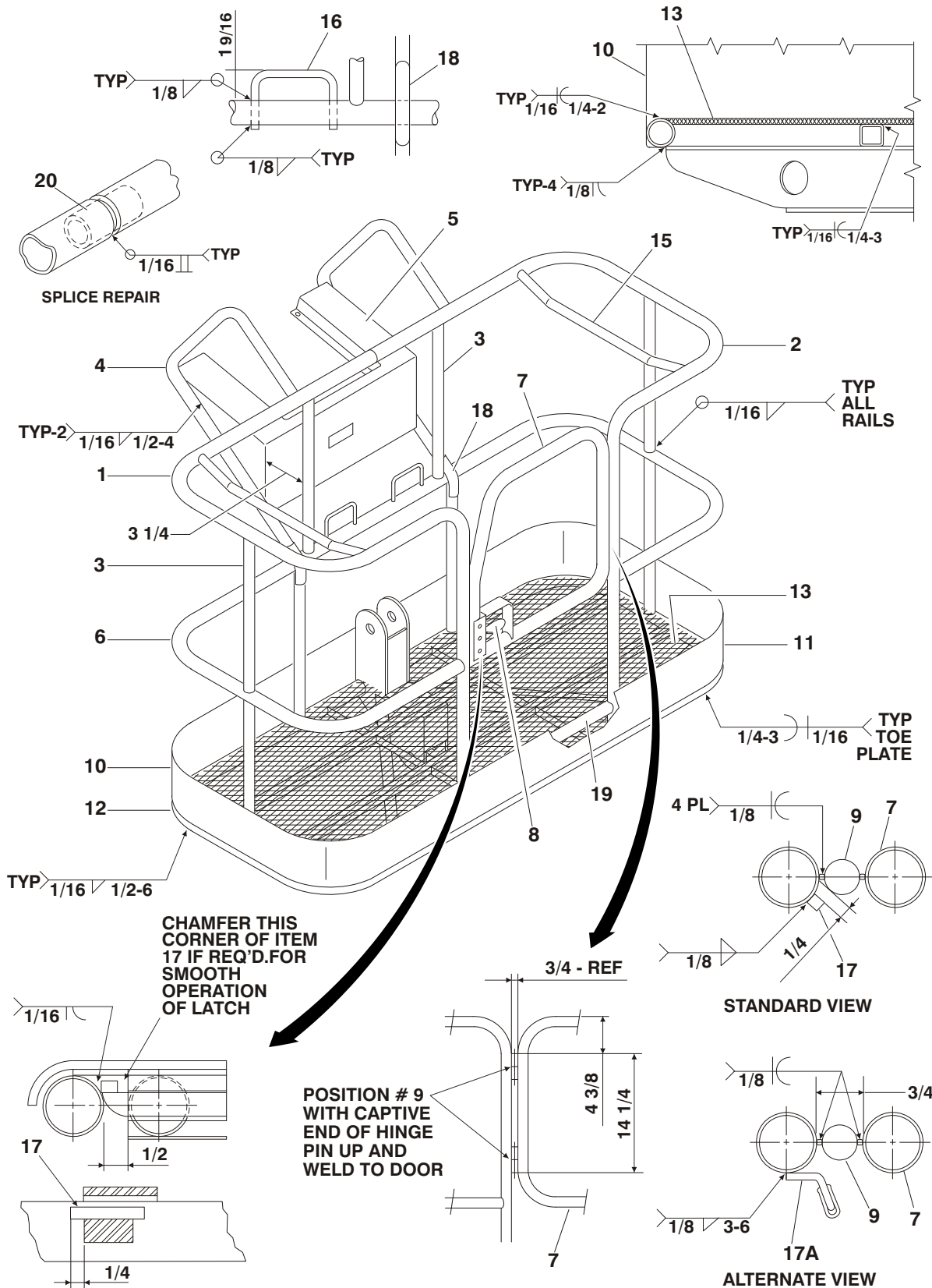
PLATFORM REPAIR ILLUSTRATIONS

FIGURE 10-9. STANDARD FRONT ENTRY PLATFORM (3510585 PLATFORM ONLY)
(HX MODELS)



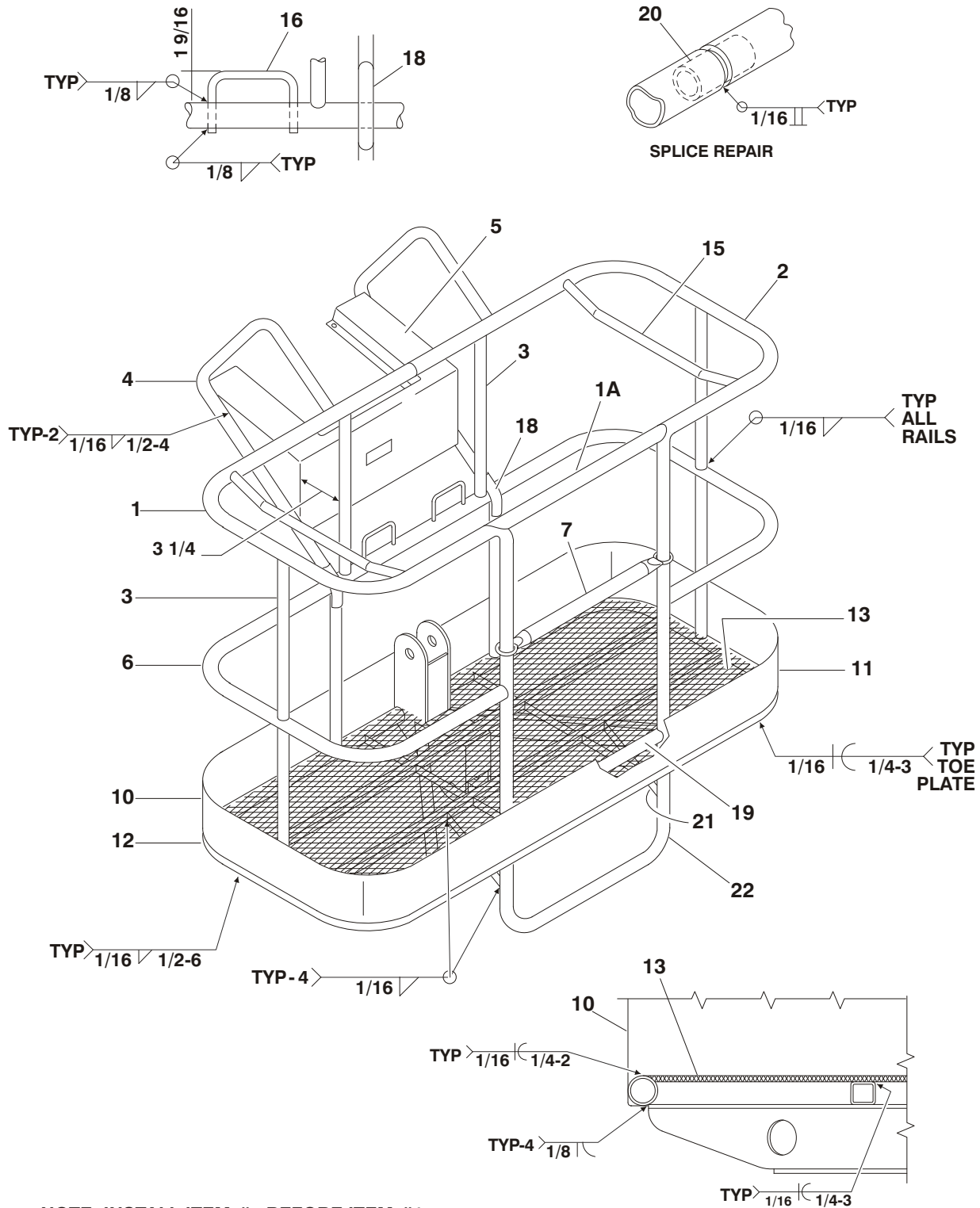
SECTION 10 PLATFORM REPAIR ILLUSTRATIONS

FIGURE 10-10. STANDARD FRONT ENTRY PLATFORMS WITH KICKPLATES (e-BOOMS & ic MODELS)



SECTION 10 PLATFORM REPAIR ILLUSTRATIONS

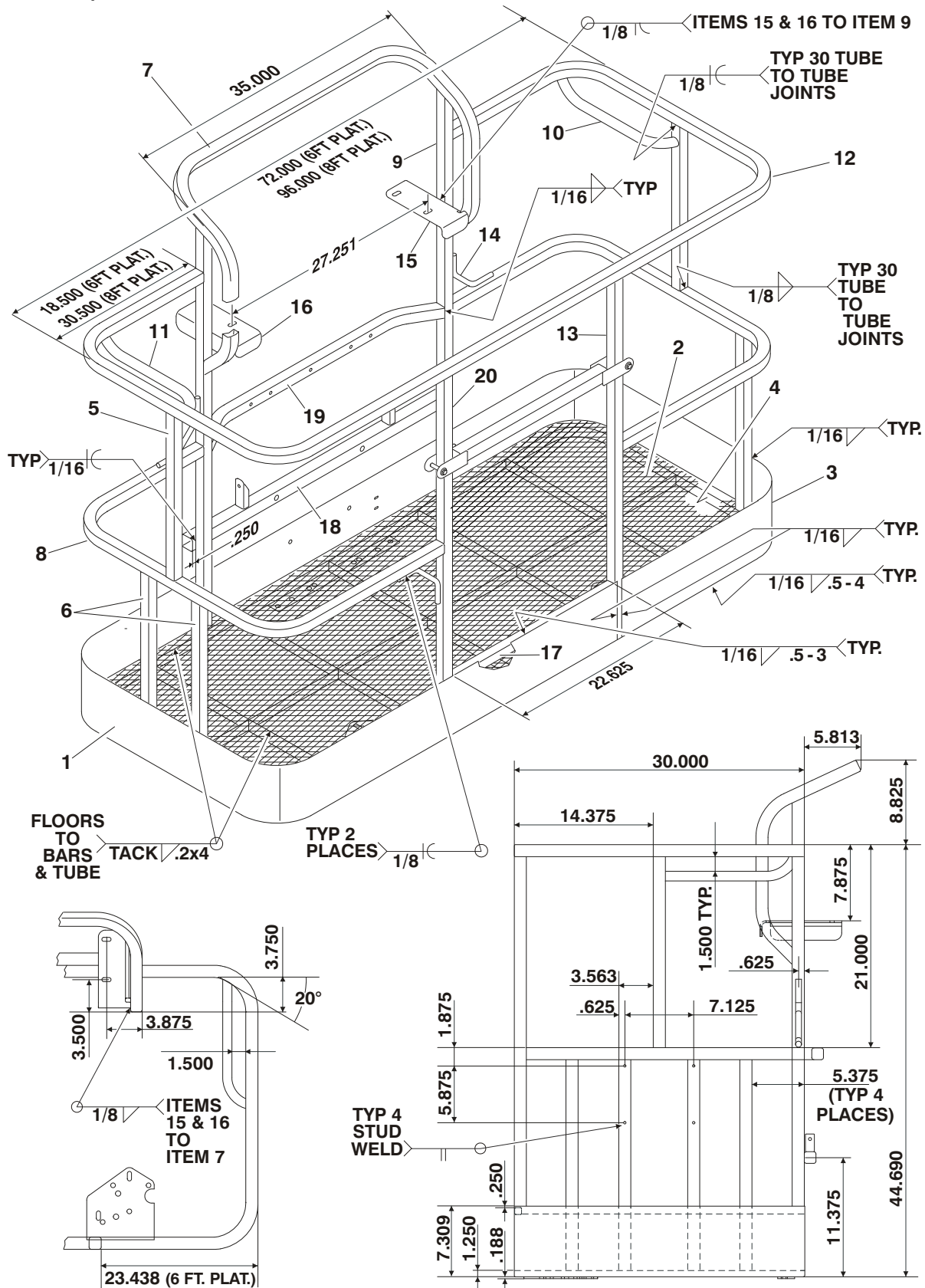
FIGURE 10-11. STANDARD FRONT ENTRY PLATFORMS WITH KICKPLATES (e-BOOMS & ic MODELS)



NOTE: INSTALL ITEM #7 BEFORE ITEM #1.

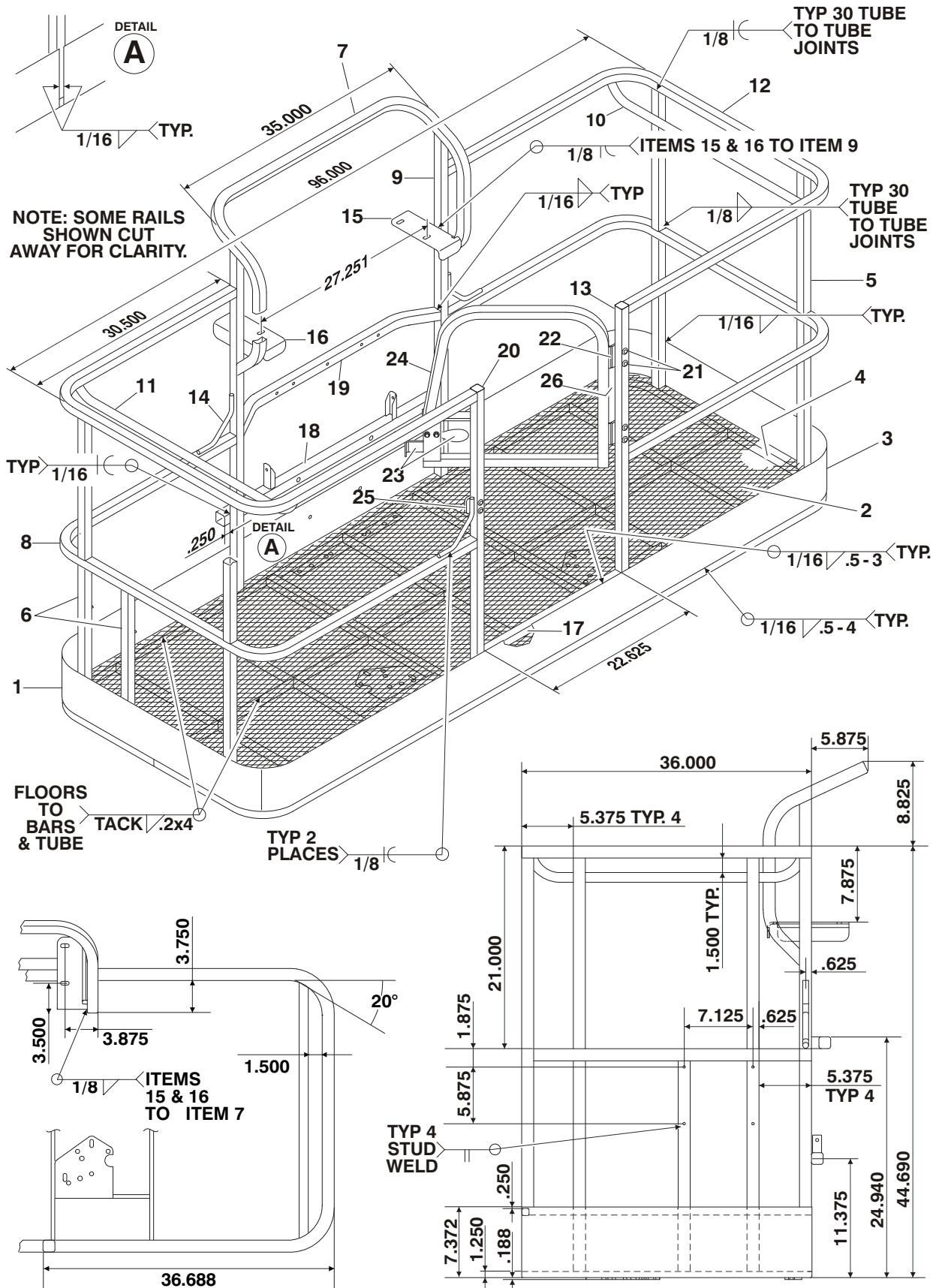
SECTION 10 PLATFORM REPAIR ILLUSTRATIONS

FIGURE 10-15. STANDARD FRONT ENTRY PLATFORMS (400S, 601S & 800S MODELS)



SECTION 10

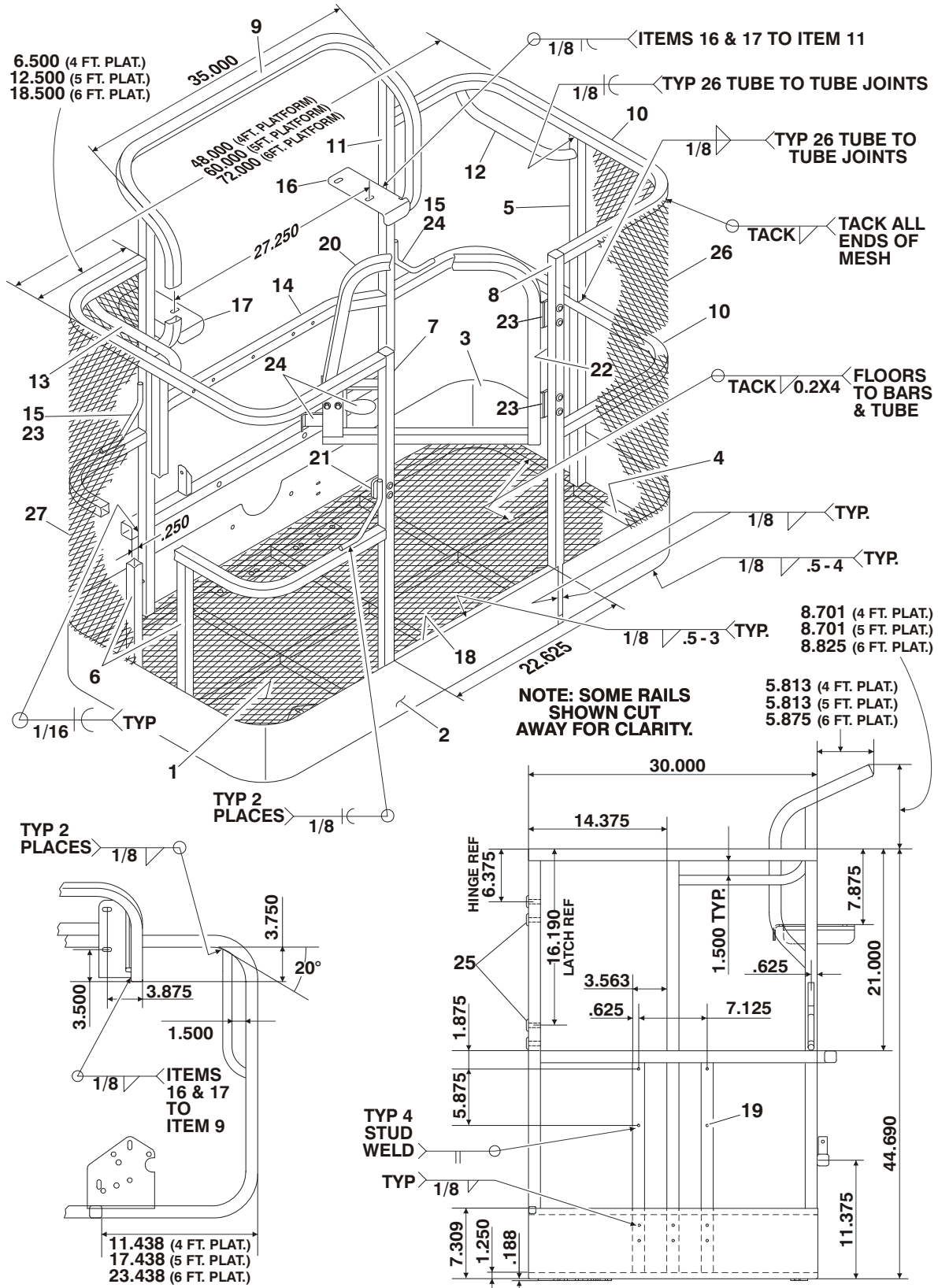
PLATFORM REPAIR ILLUSTRATIONS



SECTION 10

PLATFORM REPAIR ILLUSTRATIONS

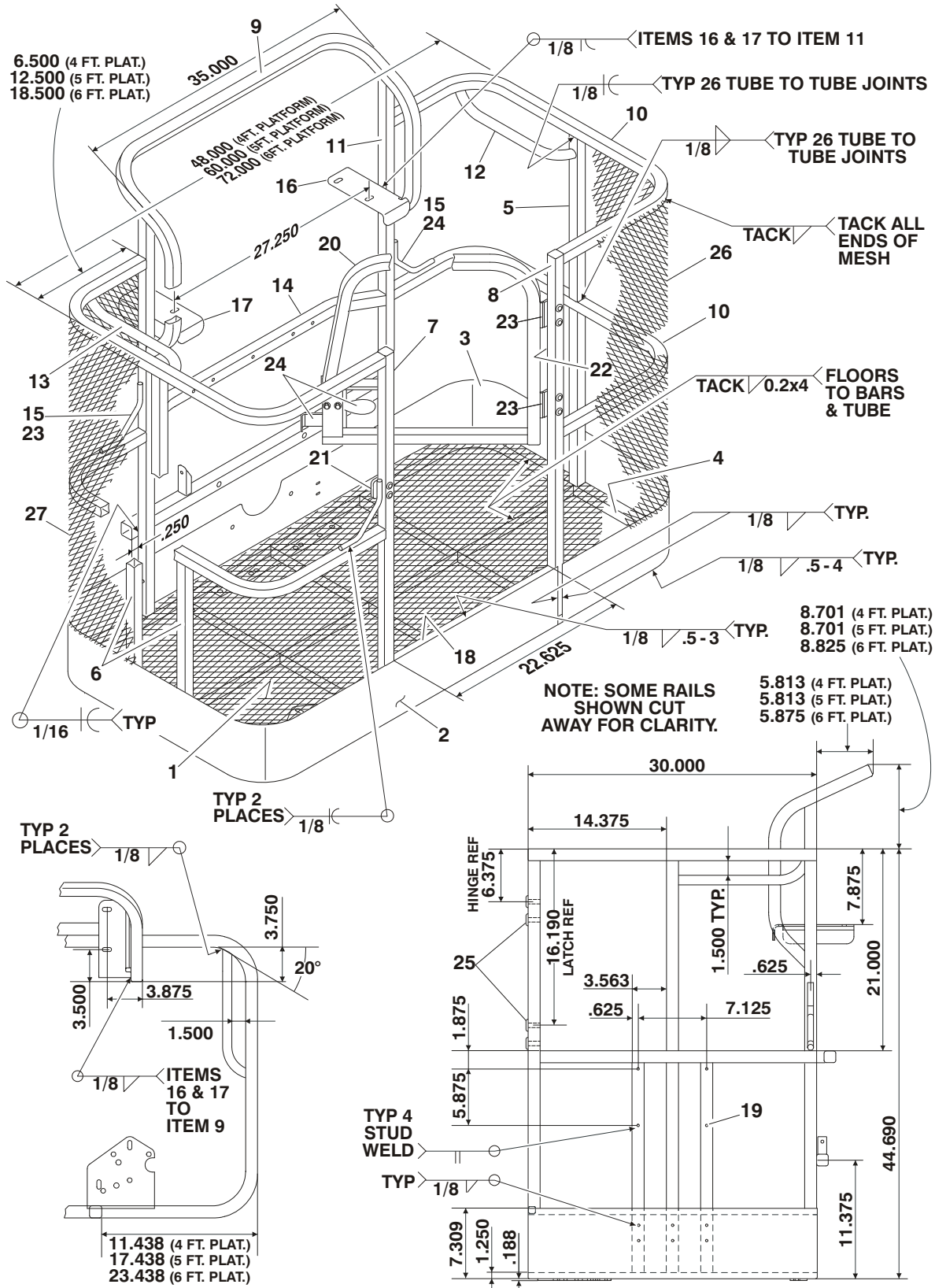
FIGURE 10-16. STANDARD FRONT ENTRY PLATFORMS (E300, E/M45, 400S, E/M400A, E/M450A & E/M600 MODELS)



SECTION 10

PLATFORM REPAIR ILLUSTRATIONS

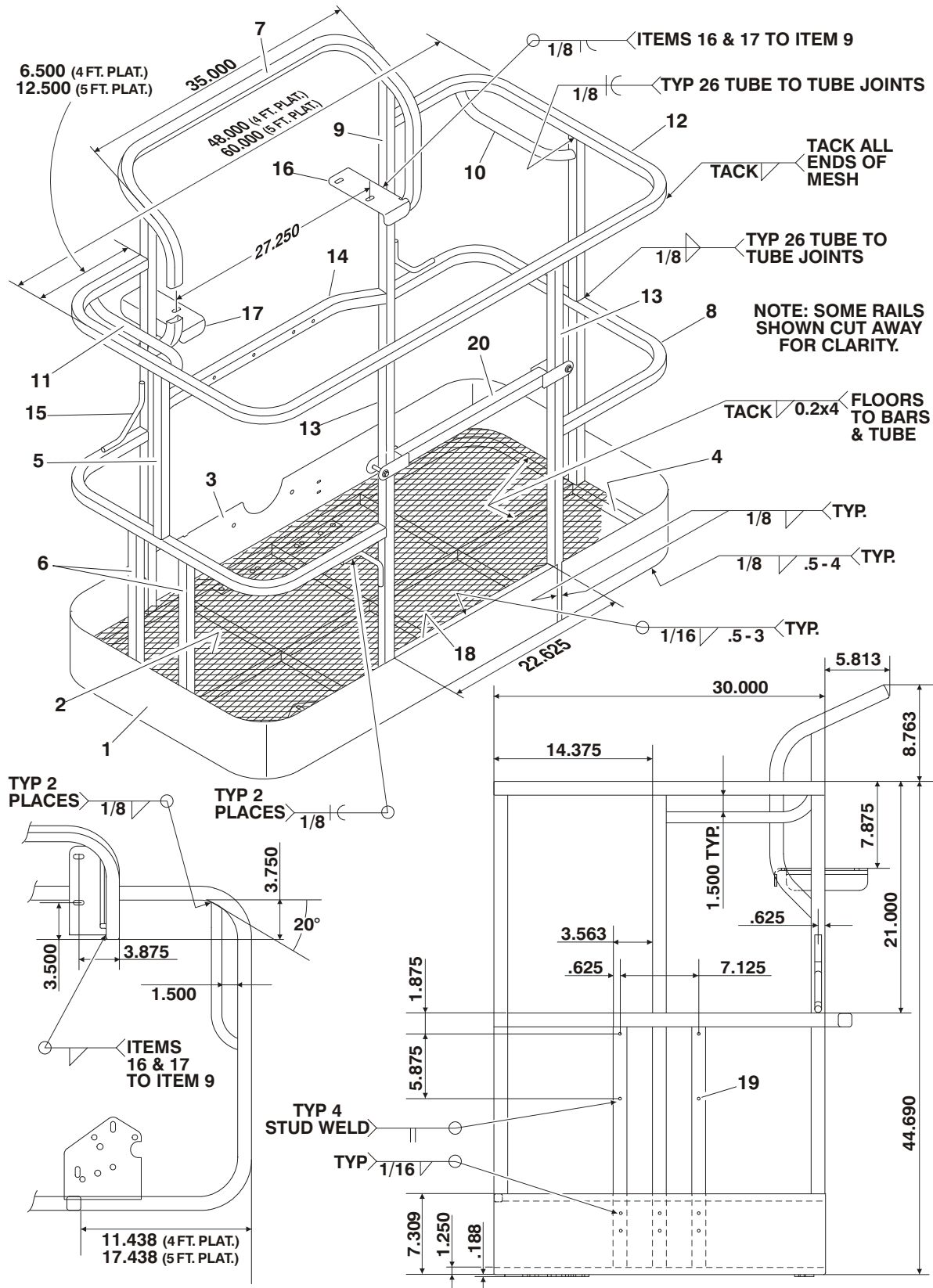
FIGURE 10-17. STANDARD FRONT ENTRY PLATFORMS (E300, E/M45, 400S, E/M400A, E/M450A & E/M600 MODELS)



SECTION 10

PLATFORM REPAIR ILLUSTRATIONS

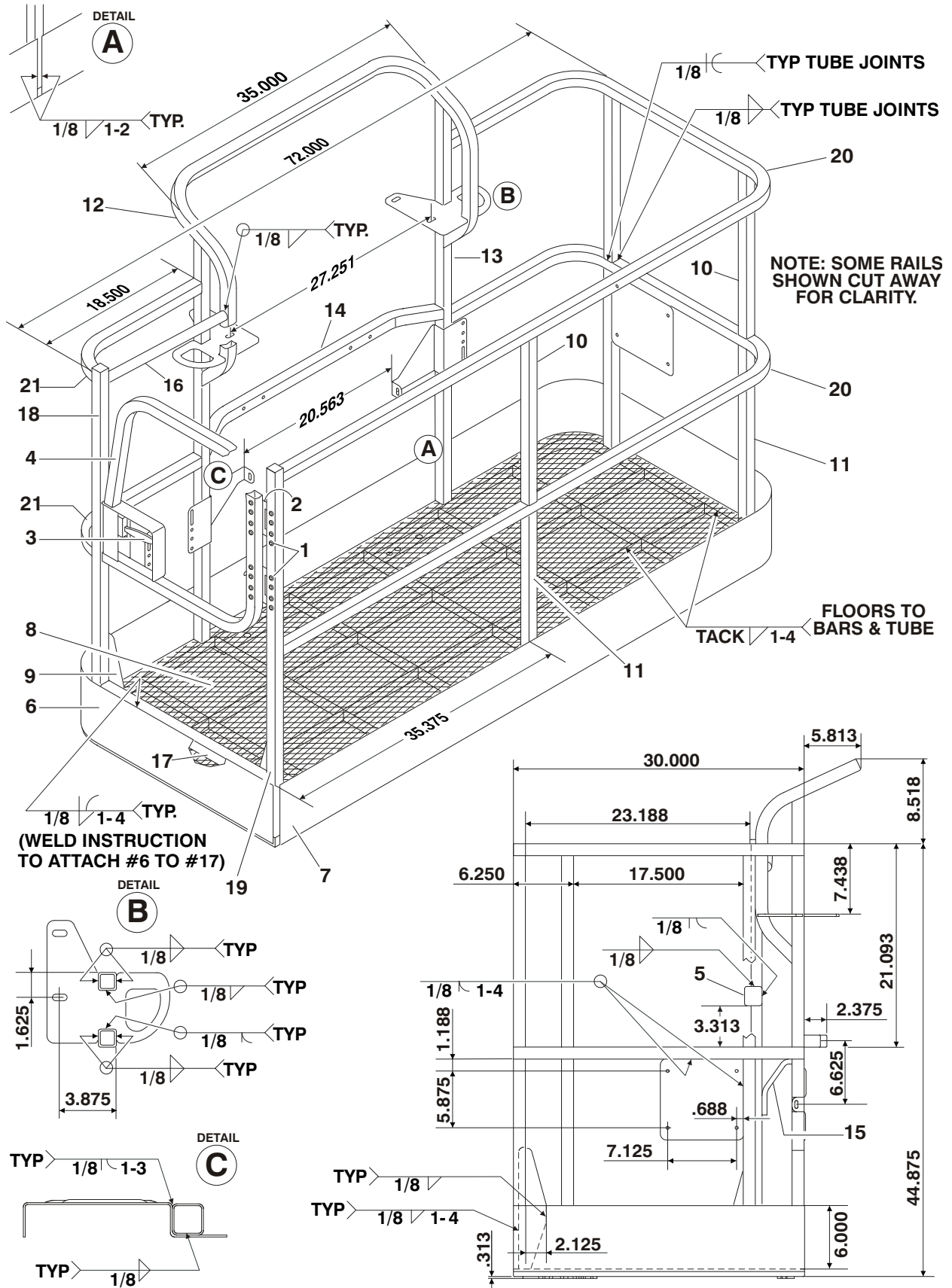
FIGURE 10-18. STANDARD FRONT ENTRY PLATFORMS (E300 & E/M45 MODELS)



SECTION 10 PLATFORM REPAIR ILLUSTRATIONS

THIS PAGE INTENTIONALLY LEFT BLANK

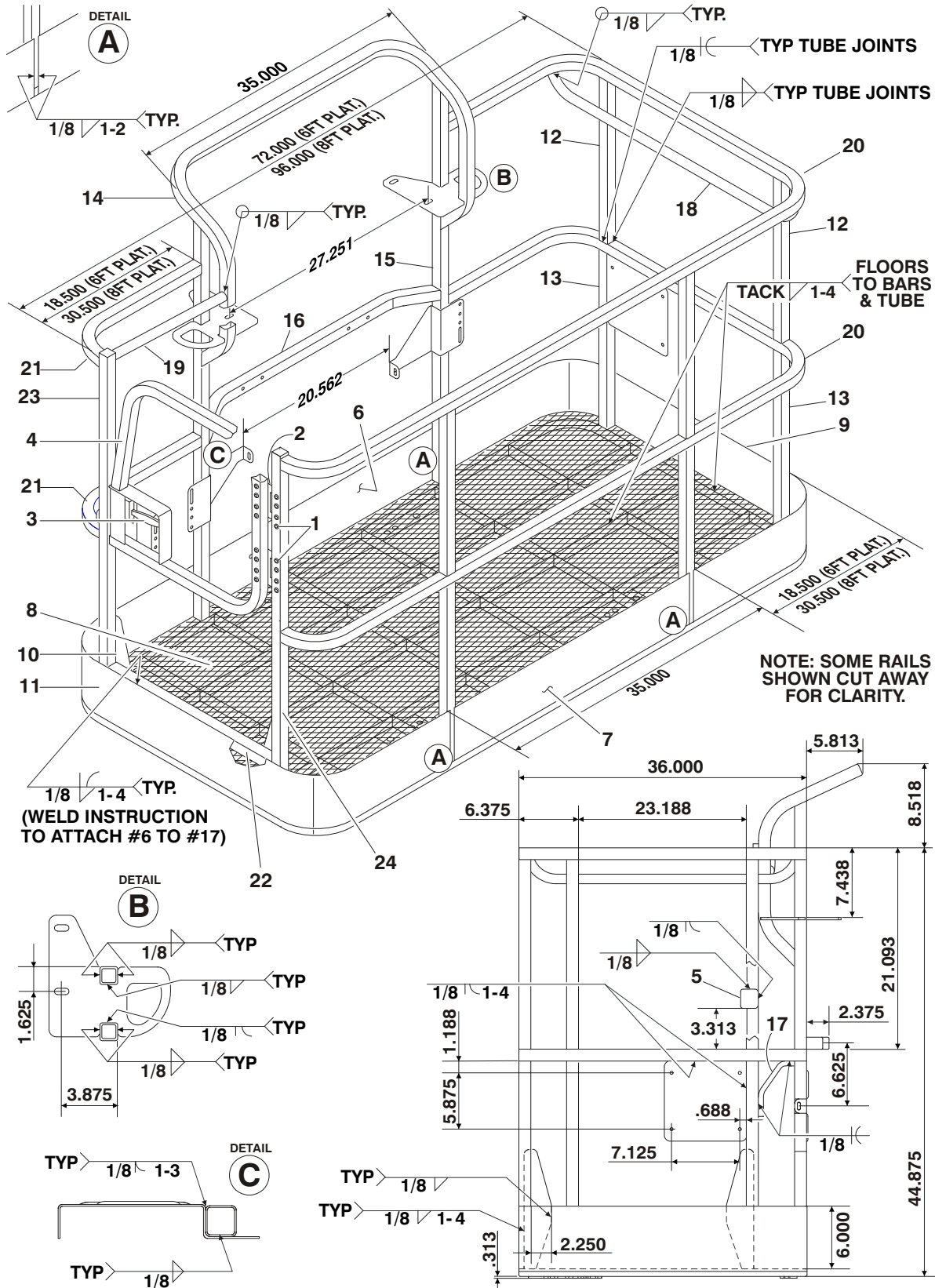
SECTION 10 PLATFORM REPAIR ILLUSTRATIONS



SECTION 10

PLATFORM REPAIR ILLUSTRATIONS

FIGURE 10-20. STANDARD SIDE ENTRY 36" PLATFORMS (400S, 460SJ, 600A/AJ, 600S/SC/SJ/SJC/SKYSAW, 660SJ/SJC, 800A/AJ, 800S, 860SJ, 1200SJP & 1350SJP MODELS)





3124078



An Oshkosh Corporation Company

Corporate Office
JLG Industries, Inc.
1 JLG Drive
McConnellsburg PA. 17233-9533
USA

☎ (717) 485-5161

📠 (717) 485-6417

JLG Worldwide Locations

JLG Industries (Australia)
P.O. Box 5119
11 Bolwarra Road
Port Macquarie
N.S.W. 2444
Australia

☎ +61 2 65 811111

📠 +61 2 65 813058

JLG Latino Americana Ltda.
Rua Eng. Carlos Stevenson,
80-Suite 71
13092-310 Campinas-SP
Brazil

☎ +55 19 3295 0407

📠 +55 19 3295 1025

JLG Industries (UK) Ltd
Bentley House
Bentley Avenue
Middleton
Greater Manchester
M24 2GP - England

☎ +44 (0)161 654 1000

📠 +44 (0)161 654 1001

JLG France SAS
Z.I. de Baulieu
47400 Fauillet
France

☎ +33 (0)5 53 88 31 70

📠 +33 (0)5 53 88 31 79

JLG Deutschland GmbH
Max-Planck-Str. 21
D - 27721 Ritterhude - Ihlpohl
Germany

☎ +49 (0)421 69 350 20

📠 +49 (0)421 69 350 45

JLG Equipment Services Ltd.
Rm 1107 Landmark North
39 Lung Sum Avenue
Sheung Shui N. T.
Hong Kong

☎ (852) 2639 5783

📠 (852) 2639 5797

JLG Industries (Italia) s.r.l.
Via Po. 22
20010 Pregnana Milanese - MI
Italy

☎ +39 029 359 5210

📠 +39 029 359 5845

Oshkosh-JLG Singapore
Technology Equipment Pte
Ltd
29 Tuas Ave 4,
Jurong Industrial Estate
Singapore, 639379

☎ +65-6591 9030

📠 +65-6591 9031

Plataformas Elevadoras
JLG Iberica, S.L.
Trapadella, 2
P.I. Castellbisbal Sur
08755 Castellbisbal, Barcelona
Spain

☎ +34 93 772 4700

📠 +34 93 771 1762

JLG Sverige AB
Enkopingsvagen 150
Box 704
SE - 176 27 Jarfalla
Sweden

☎ +46 (0)850 659 500

📠 +46 (0)850 659 534