



Illustrated Parts Manual

Models
15DVL
15DVSP
20DVL
20DVSP

P/N
3121839

January 9, 2017



REVISION LOG

REVISION LOG:

September 1, 2001 - Original Issue Of Manual (Manual edited to B/M 0010581)

October 15, 2001 - Revised Manual (Manual edited to B/M 0010581)

March 15, 2002 - Revised Manual (Manual edited to B/M 0010581 - Rev 7)

May 30, 2002 - Revised Manual (Manual edited to B/M 0010581 - Rev 10)

January 8, 2003 - Added 20DVSP

February 13, 2003 - Revised Manual (Manual edited to B/M 0010581 - Rev 21)

May 8, 2003 - Revised Manual (Manual edited to B/M 0010581 - Rev 25)

September 19, 2003 - Revised Manual (Manual edited to B/M 0010581 - Rev 29)

February 26, 2004 - Revised Manual (Manual edited to B/M 0010581 - Rev 32)

August 11, 2004 - Revised Manual (Manual edited to B/M 0010581 - Rev 36)

May 5, 2005 - Revised Manual (Manual edited to B/M 0010581 - Rev 45)

February 15, 2006 - Revised Manual (Manual edited to B/M 0010581 - Rev 48)

June 30, 2006 - Revised Manual (Manual edited to B/M 0010581 - Rev 48)

June 29, 2007 - Revised Manual (Manual edited to B/M 0010581 - Rev 48)

June 24, 2011 - Revised Manual

January 9, 2017 - Revised Manual

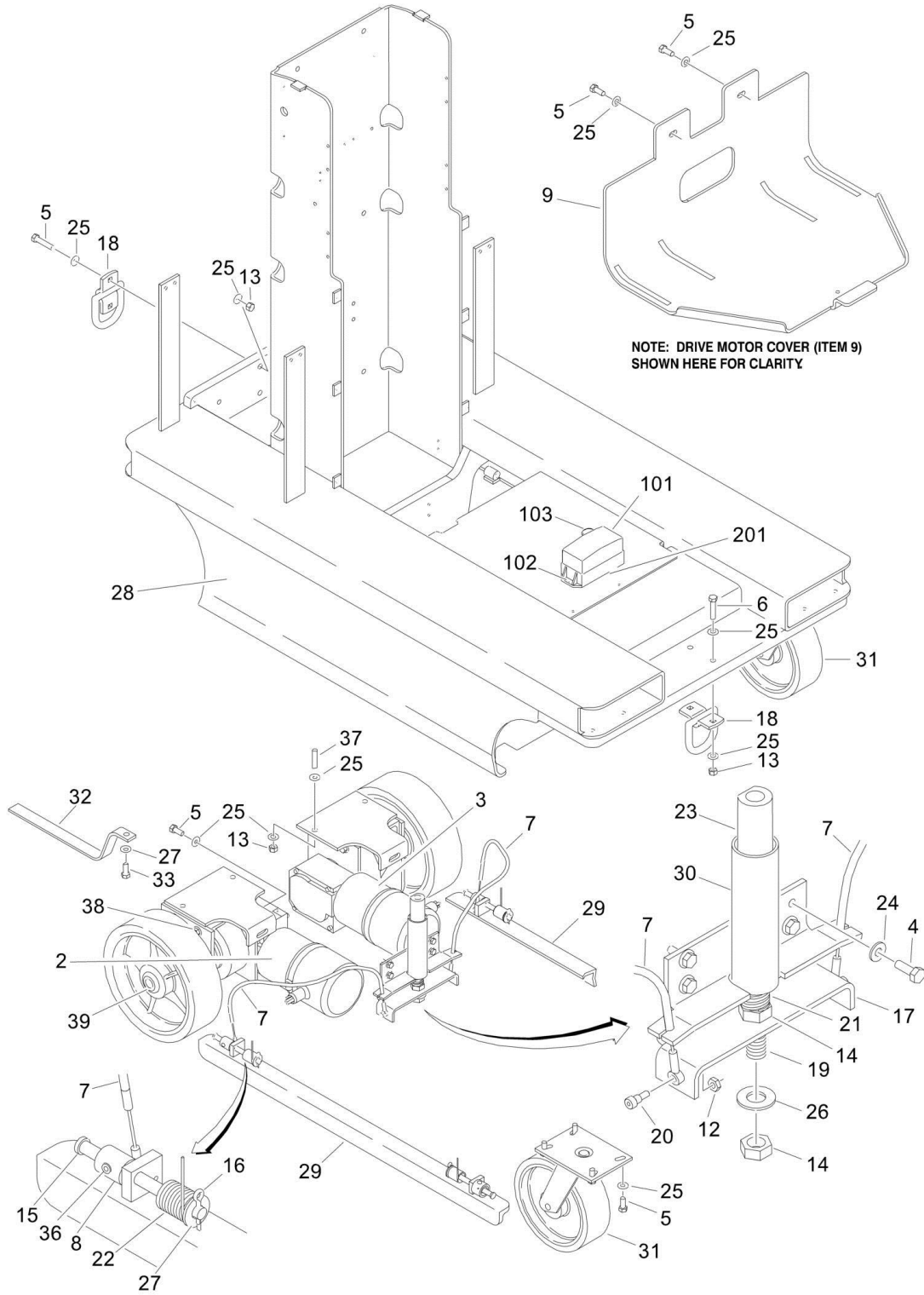
TABLE OF CONTENTS

SECTION 1 - BASE.....	7
FIGURE 1-1. BASE MOUNTED COMPONENTS INSTALLATION (Prior to SN 0130005271).....	8
FIGURE 1-2. BASE MOUNTED COMPONENTS INSTALLATION (SN 0130005271 to Present).....	12
FIGURE 1-3. DRIVE ASSEMBLY (Prior to SN 0130005271).....	16
FIGURE 1-4. DRIVE ASSEMBLY (SN 0130005271 to Present).....	20
FIGURE 1-5. DRIVE MOTOR ASSEMBLY.....	24
FIGURE 1-6. COVER INSTALLATION.....	26
FIGURE 1-7. MAST AND BATTERY BOX INSTALLATION.....	28
SECTION 2 - CONTROLS.....	31
FIGURE 2-1. PUMP/MOTOR/GROUND CONTROL/HORN INSTALLATIONS.....	32
FIGURE 2-2. PUMP/MOTOR ASSEMBLY.....	36
FIGURE 2-3. PUMP/MOTOR ASSEMBLY (SERVICE REPLACEMENT).....	38
FIGURE 2-4. BATTERIES/CHARGER/SWITCHES INSTALLATION.....	40
FIGURE 2-5. BATTERY CHARGER ASSEMBLY.....	44
FIGURE 2-6. PLATFORM CABLE AND CONTROLS INSTALLATION.....	46
FIGURE 2-7. CONTROLLER ASSEMBLY (Prior to SN 0130007616).....	50
FIGURE 2-8. CONTROLLER ASSEMBLY (SN 0130007616 to Present).....	52
SECTION 3 - MAST.....	55
FIGURE 3-1. MAST ASSEMBLY.....	56
SECTION 4 - PLATFORM.....	61
FIGURE 4-1. PLATFORM WITH FRONT SLIDE BAR ENTRY (DVL).....	62
FIGURE 4-2. PLATFORM WITH GULLWING GATE (DVL).....	64
FIGURE 4-3. PLATFORM WITH MOLDED SIDES (DVL AND DVSP).....	66
FIGURE 4-4. PLATFORM WITH ROLLING EXTENSION (DVL AND DVSP).....	68
FIGURE 4-5. PLATFORM WITH FIXED SIDE RAILS (DVSP).....	72
FIGURE 4-6. PLATFORM WITH FOLDING SIDE RAILS (DVSP).....	76
FIGURE 4-7. OBSTRUCTION SENSOR INSTALLATION (DVSP) (OPTIONAL).....	80
FIGURE 4-8. QUICK-CHANGE PLATFORM INSTALLATION WITH SLIDE BAR.....	82
FIGURE 4-9. PLATFORM/SIDE ENTRY WITH MATERIAL TRAY (20DVL).....	84
SECTION 5 - CYLINDER.....	87
FIGURE 5-1. LIFT CYLINDER ASSEMBLY.....	88
SECTION 6 - HYDRAULIC.....	91
FIGURE 6-1. HYDRAULIC DIAGRAM.....	92
SECTION 7 - ELECTRICAL.....	95
FIGURE 7-1. ELECTRICAL SCHEMATIC.....	96
FIGURE 7-2. ELECTRICAL COMPONENTS INSTALLATION.....	98
SECTION 8 - DECALS.....	105
FIGURE 8-1. DECAL INSTALLATION (Prior to SN 0130006121).....	106
FIGURE 8-2. DECAL INSTALLATION (SN 0130006121 to Present).....	110
SECTION 9 - RECOMMENDED SERVICE PARTS STOCK.....	113
FIGURE 9-1. DVL/DVSP SERIES STANDARD PARTS.....	114
FIGURE 9-2. DVL/DVSP SERIES VARIABLE PARTS.....	116
SECTION 10 - SPECIAL OPTIONS.....	117
FIGURE 10-1. SPECIAL OPTIONS.....	118
PART NUMBER INDEX.....	119

SECTION 1 - BASE

SECTION 1 - BASE

FIGURE 1-1. BASE MOUNTED COMPONENTS INSTALLATION (Prior to SN 0130005271)



SECTION 1 - BASE

FIGURE 1-1. BASE MOUNTED COMPONENTS INSTALLATION (Prior to SN 0130005271)

ITEM	PART NUMBER	QTY	DESCRIPTION	REV
		Ref	BASE ASSEMBLY OPTIONS:	
	0271258	Ref	Base Assembly - (Standard)	J
	0272776	Ref	Base Assembly - (Rubber Tires)	A
	0272981	Ref	Base Assembly - (Rubber Tires - Rear Only)	B
1	0100011	AR	Loctite #242 (Not Shown)	
2		Ref	Drive Assembly (Right Side) Options: (See DRIVE ASSEMBLY for Breakdown)	
2	0271460	1	Drive Assembly (Right Side) (Standard)	
2	0272775	1	Drive Assembly (Right Side) (Rubber Tires / Rubber Tires - Rear Only)	
3		Ref	Drive Assembly (Left Side) Options: (See DRIVE ASSEMBLY for Breakdown)	
3	0271461	1	Drive Assembly (Left Side) (Standard)	
3	0272774	1	Drive Assembly (Left Side) (Rubber Tires / Rubber Tires - Rear Only)	
4	0641406	4	Bolt 1/4in-20NC x 3/4in	
5	0641607	14	Bolt 3/8in-16NC x 7/8in	
6	0641614	2	Bolt 3/8in-16NC x 1 3/4in	
7	1060649	2	Cable, Pothole Protection	
8	1100103	2	Cam	
9	1671020	1	Cover, Drive Motor	
10	3020017	AR	Lubricant (Not Shown)	
11	3020022	AR	Grease, White Lithium (Not Shown)	
12	3311005	2	Locknut #10-24NC	
13	3311605	4	Locknut 3/8in-16NC	
14	3312002	2	Locknut 5/8in-11NC	
15	3430638	4	Pin, Clevis	
16	3450403	4	Pin, Cotter 1/8in x 3/4in	
17	3573093	1	Plate, Cable Mounting	
18	3760365	2	Ring, Tie Down	
19	3841343	1	Rod, Actuator	
20	3900202	4	Screw, Socket Head Shoulder	
21	4160160	1	Spring, Compression	
22	4160162	4	Spring, Compression	
23	4567203	1	Tube, Plunger	
24	4711400	4	Flatwasher 1/4in Narrow	
25	4711600	20	Flatwasher 3/8in Narrow	
26	4712000	1	Flatwasher 5/8in Narrow	
27	4751600	5	Flatwasher 3/8in Wide	
28	4846436	1	Base Weldment	
29	4846437	2	Bar, Pothole Protection	
30	4846446	1	Actuator	
31		Ref	Wheel, Caster Assembly Options:	
31	4860235	2	Standard / Rubber Tires - Rear Only	
31	4860239	2	Rubber Tires	
32		Ref	Strap, Static Options:	
32	4240084	1	Strap, Static (Prior to SN 0130004184)	
32	4240147	1	Strap, Static (SN 0130004184 through 0130005271)	
33	0641606	1	Bolt 3/8in-16NC x 3/4in	
34	4240127	2	Tie-Strap (Not Shown - Located at Motors)	

SECTION 1 - BASE

ITEM	PART NUMBER	QTY	DESCRIPTION	REV
35	0100035	AR	Loctite #222 (Not Shown)	
36	3900249	4	Setscrew	
37	4300154	2	Stud 3/8in-16NC x 2in	
38		Ref	Plate, Shim Options:	
38	4070547	4	Standard / Rubber Tires	
38	Not Required	0	Rubber Tires - Rear Only	
39		Ref	Shim, Caster Options:	
39	Not Required	0	Standard / Rubber Tires - Rear Only	
39	4071064		Rubber Tires	
40		Ref	Bolt Options: (Not Shown)	
40	Not Required	0	Standard	
40	0641610	2	Rubber Tires (3/8 - 16NC x 1/1/4in)	
40	0641609	6	Rubber Tires - Rear Only (3/8 - 16NC x 1/1/8in)	
	0271946	Ref	BEACON LIGHT INSTALLATION	B
101	2920155	1	Light, Beacon - Amber Options:	
101		Ref	Preco Model 3970	
101		Ref	Preco Model 3971	
101	7026196	1	Bulb, Replacement	
101	7026195	1	Lens, Replacement	
102	3820032	2	Rivet	
103	3520033	1	Plug, Hole 1 (SN 0130005521 through 0130005271)	
	0272061	Ref	BEACON HOLE PLUG INSTALLATION	B
201	3520033	2	Plug, Hole 1in	

SECTION 1 - BASE

FIGURE 1-2. BASE MOUNTED COMPONENTS INSTALLATION (SN 0130005271 to Present)

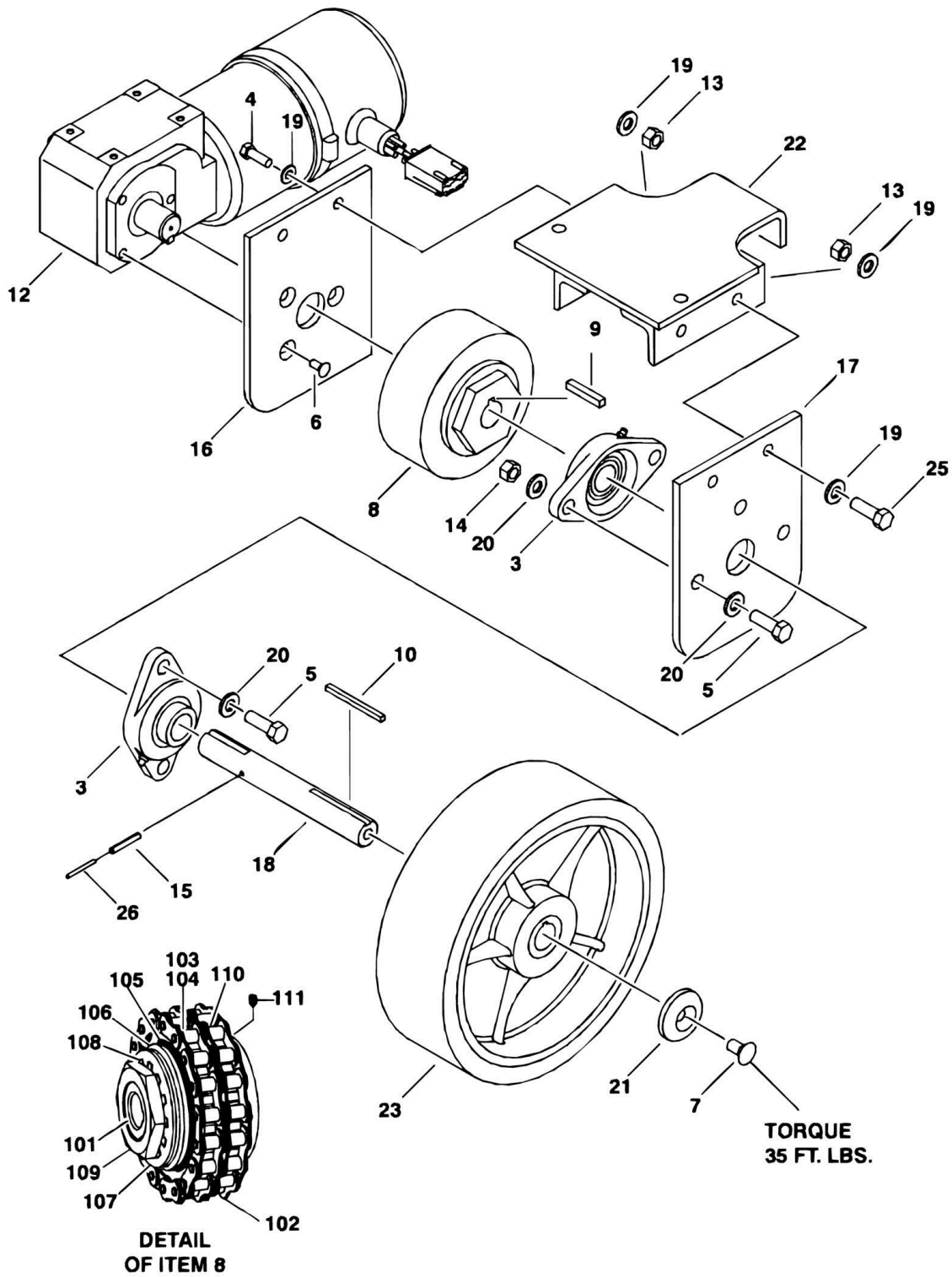
ITEM	PART NUMBER	QTY	DESCRIPTION	REV
		Ref	BASE ASSEMBLY OPTIONS:	
	0271258	Ref	Base Assembly - (Standard)	P
	0272776	Ref	Base Assembly - (Rubber Tires)	I
	0272981	Ref	Base Assembly - (Rubber Tires - Rear Only)	H
1	0100011	AR	Loctite #242 (Not Shown)	
4	0641406	4	Bolt 1/4in-20NC x 3/4in	
5		Ref	Bolt Options: 3/8in-16NC x 7/8in	
5	0641607	8	Prior to SN 0130005271 (Standard / Rubber Tires - Rear Only)	
5	Not Required	0	(Rubber Tires)	
6	0641614	2	Bolt 3/8in-16NC x 1 3/4in	
7	1060649	2	Cable, Pothole Protection	
8	1100103	2	Cam	
9	1671020	1	Cover, Drive Motor	
10	3020017	AR	Lubricant (Not Shown)	
11	3020022	AR	Grease, White Lithium (Not Shown)	
12		Ref	Hardware Options:	
12	3311005	2	Locknut #10-24NC (Prior to SN 0130006320)	
12	3311402	2	Jam Nut 1/4in-20NC (SN 0130006320 to Present)	
13	3311605	4	Locknut 3/8in-16NC	
14	3312002	2	Locknut 5/8in-11NC	
15	3430638	4	Pin, Clevis	
16	3450403	4	Pin, Cotter 1/8in x 3/4in	
17		Ref	Plate, Cable Mounting Options:	
17	3573093	1	Plate, Cable Mounting (Prior to SN 0130006320)	
17	3575698	1	Plate, Cable Mounting (SN 0130006320 to Present)	
18	3760365	2	Ring, Tie Down	
19	3841343	1	Rod, Actuator	
20		Ref	Hardware Options:	
20	3900202	4	Screw, Socket Head Shoulder (Prior to SN 0130006320)	
20	0630590	4	Bolt 1/4in-20NC x 3/4 (SN 0130006320 to Present)	
21	4160160	1	Spring, Compression	
22	4160162	4	Spring, Compression	
23	4567203	1	Tube, Plunger	
24	4711400	4	Flatwasher 1/4in Narrow	
25	4711600	6	Flatwasher 3/8in Narrow	
26	4712000	1	Flatwasher 5/8in Narrow	
27	4751600	19	Flatwasher 3/8in Wide	
28	4846436	1	Base Weldment	
29		Ref	Bar, Pothole Protection Options:	
29	4846437	2	Bar, Pothole Protection (Prior to SN 0130005470)	
29	4846869	1	Bar, Pothole Protection Right Side (SN 0130005470 to Present)	
29	4846870	1	Bar, Pothole Protection Left Side (SN 0130005470 to Present)	
30	4846446	1	Actuator	
31		Ref	Wheel, Caster Assembly Options:	
31	4860235	2	Standard / Rubber Tires - Rear Only	
31	4860239	2	Rubber Tires	
32	4240147	1	Strap, Static	
33	0641606	1	Bolt 3/8in-16NC x 3/4in	
34	4240127	2	Tie-Strap (Not Shown - Located at Motors)	

SECTION 1 - BASE

ITEM	PART NUMBER	QTY	DESCRIPTION	REV
35	0100035	AR	Loctite #222 (Not Shown)	
36	3900249	4	Setscrew	
37	4300154	2	Stud 3/8in-16NC x 2in	
39		Ref	Drive Motor Frame Assembly Options: (See DRIVE ASSEMBLY for Breakdown)	
39	0272584	1	Standard	
39	0272830	1	Rubber Tires / Rubber Tires - Rear Only	
40	0641609	14	Bolt 3/8in-16NC x 1 1/8in	
41	4071077	AR	Shims -.015 (SN 0130005470 to Present)	
42	4071078	AR	Shims -.036 (SN 0130005470 to Present)	
	0271946	Ref	BEACON LIGHT INSTALLATION	B
101	2920155	NLA	Light, Beacon - Amber Options: (Use p/n 2920178)	
101		Ref	Preco Model 3970	
101		Ref	Preco Model 3971	
101	7026196	1	Bulb, Replacement	
101	7026195	1	Lens, Replacement	
102	3820032	2	Rivet	
103	3520033	1	Plug, Hole 1 (SN 0130005521 to Present)	
	0272061	Ref	BEACON HOLE PLUG INSTALLATION	B
201	3520033	2	Plug, Hole 1in	

SECTION 1 - BASE

FIGURE 1-3. DRIVE ASSEMBLY (Prior to SN 0130005271)



SECTION 1 - BASE

FIGURE 1-3. DRIVE ASSEMBLY (Prior to SN 0130005271)

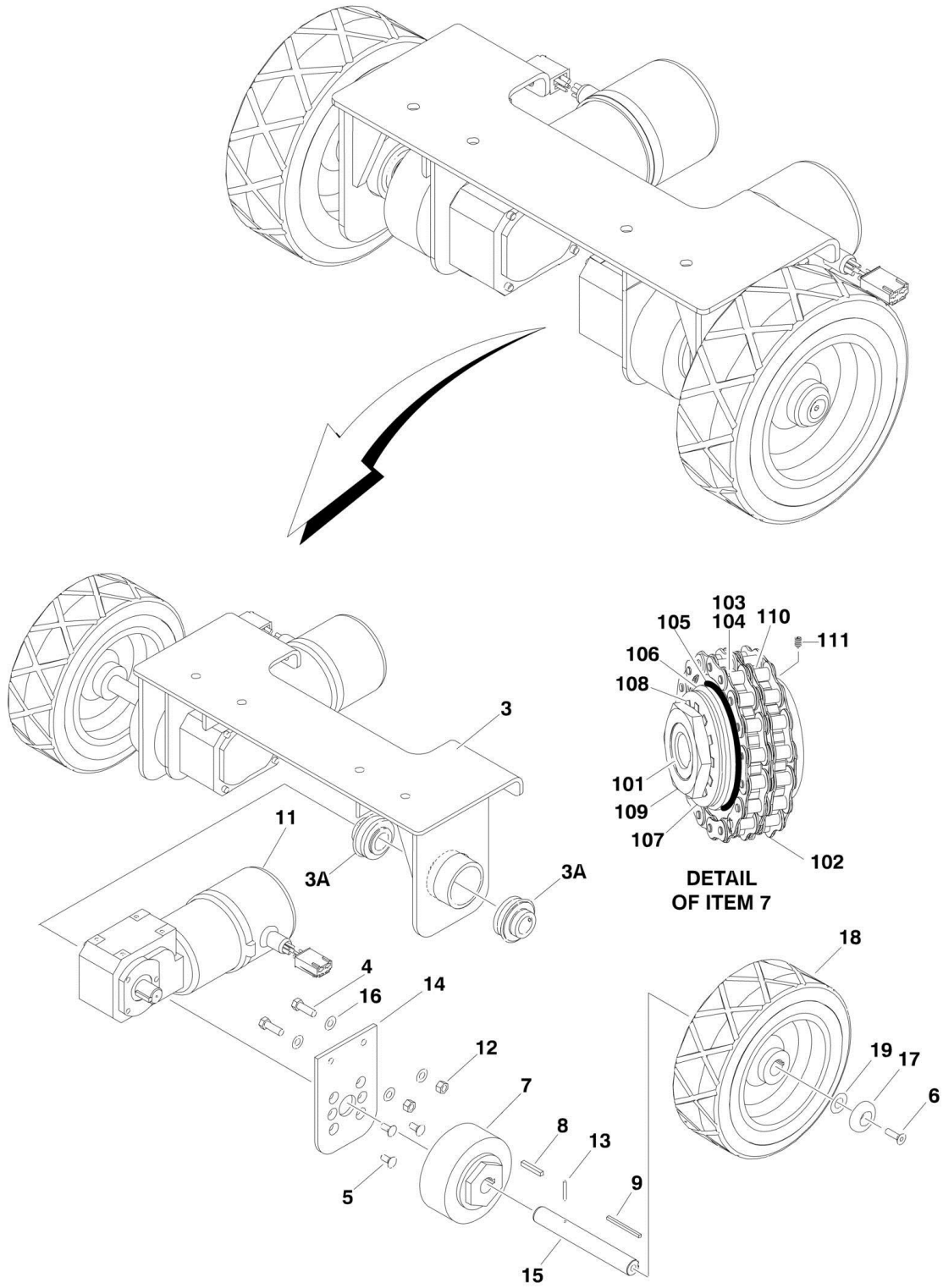
ITEM	PART NUMBER	QTY	DESCRIPTION	REV
		Ref	DRIVE ASSEMBLY OPTIONS:	
		Ref	Note: Quantities shown are for one side.	
		Ref	Drive Assembly (Standard)	F
	0271460	Ref	Right Side	
	0271461	Ref	Left Side	
		Ref	Drive Assembly (Rubber Tires / Rubber Tires - Rear Only)	A
	0272775	Ref	Right Side	
	0272774	Ref	Left Side	
1	0100011	AR	Loctite #242 (Not Shown)	
2	0100019	AR	Loctite #271 (Not Shown)	
3	0440221	2	Bearing, Axle	
4	0641609	AR	Bolt 3/8in-16NC x 1 1/8in	
5	0641816	AR	Bolt 1/2in-13NC x 2in	
6	0741506	3	Screw, Countersunk 5/16in-18NC x 3/4in	
7	0741609	1	Screw, Countersunk 3/8in-16NC x 1 1/4in	
8	1400126	1	Clutch, Torque Limiting (See Items 101-111 for Breakdown)	
9	2860027	1	Key, Clutch	
10	2860029	1	Key, Wheel	
11	3020017	AR	Lubricant (Not Shown)	
12	3160282	1	Drive Motor Assembly (See DRIVE MOTOR ASSEMBLY for Breakdown)	
13	3311605	4	Locknut 3/8in-16NC	
14	3311801	AR	Nut 1/2in-13NC	
15	3440520	1	Rollpin	
16		Ref	Plate, Motor Mounting Options:	
16	3573070	1	Right Side	
16	3573077	1	Left Side	
17	3573071	1	Plate, Bearing Mounting	
18	4040268	1	Shaft, Drive	
19	4711600	8	Flatwasher 3/8in Narrow	
20	4711800	AR	Flatwasher 1/2in	
21	4740478	1	Washer, Wheel Retainer	
22		Ref	FRAME OPTIONS:	
22	4846440	1	Right Side	
22	4846441	1	Left Side	
23		Ref	Wheel Options:	
23	4860232	1	Standard	
23	4860240	1	Rubber Tires / Rubber Tires - Rear Only	
23	1705981	1	Decal - This Side In (Not Shown)	
24	0100038	AR	Primer #7471 (Not Shown)	
25	0641611	2	Bolt 3/8-16NC x 1 3/8	
26		Ref	Rollpin Options:	
26	Not Required	0	Standard	
26	3440320	1	Rubber Tires / Rubber Tires - Rear Only	
	1400126	Ref	TORQUE LIMITER CLUTCH ASSEMBLY	C
101	7023351	1	Hub	
102	7023352	1	Chain	
103	7023353	1	Sprocket	
104	7023354	1	Bushing	
105	7023355	2	Facing, Friction	

SECTION 1 - BASE

ITEM	PART NUMBER	QTY	DESCRIPTION	REV
106	7023356	1	Plate, Pressure	
107	7023357	3	Disc, Spring	
108	7023358	1	Lockwasher, Tabbed	
109	7023359	1	Nut, Adjusting	
110	7023360	1	Sprocket	
111	7023361	1	Setscrew	

SECTION 1 - BASE

FIGURE 1-4. DRIVE ASSEMBLY (SN 0130005271 to Present)



SECTION 1 - BASE

FIGURE 1-4. DRIVE ASSEMBLY (SN 0130005271 to Present)

ITEM	PART NUMBER	QTY	DESCRIPTION	REV
		Ref	DRIVE ASSEMBLY OPTIONS:	
		Ref	Note: Quantities shown are for one side.	
	0272584	Ref	Drive Assembly (Standard)	F
	0272830	Ref	Drive Assembly (Rubber Tires / Rubber Tires - Rear Only)	F
1	0100011	AR	Loctite #242 (Not Shown)	
2	0100038	AR	Loctite #7471 (Not Shown)	
3	0272595	1	Drive Motor Frame Assembly	
3A	0440258	4	Bearing	
4	0641609	4	Bolt, 3/8 - 16NC x 1 1/8in	
5	0741506	6	Screw, 5/16 - 18NC x 3/4in	
6	0741609	2	Screw, 3/8 - 16NC x 1 1/8in	
7		Ref	Clutch, Torque Limiting Options:	
7	1400126	2	Clutch, Torque Limiting (See Items 101-111 for Breakdown) (Prior to SN 0130006340)	
7	1400128	NLA	Clutch, Torque Limiting (Use p/n 1400126) (No Serviceable Parts Available for P/N 1400128) (SN 0130006340 through 0130006397)	
7	1400126	2	Clutch, Torque Limiting (SN 0130006398 to Present)	
8	2860027	2	Key, Clutch	
9	2860031	2	Key, Wheel	
10	3020039	AR	Lubricant, Loctite Moly Paste #51049 (Not Shown)	
11		Ref	Drive Motor Assembly Options:	
11	3160282	2	Drive Motor Assembly (Standard and Rubber Tires / Rubber Tires - Rear Only) (See DRIVE MOTOR ASSEMBLY for Breakdown) (Prior to SN 0130006340)	
11	3160312	2	Drive Motor Assembly (Standard and Rubber Tires / Rubber Tires - Rear Only) (No Serviceable Parts) (SN 0130006340 to Present)	
12	3311605	4	Nut, 3/8-16NC	
13	3423050	2	Pin, Spiral Spring	
14	3573986	2	Plate, Drive Motor Mount	
15	4040268	2	Shaft, Drive	
16	4711600	8	Flatwasher 3/8in Narrow	
17	4740478	2	Washer, Wheel Retainer	
18		Ref	Wheel, Rear Options:	
18	4860232	2	Standard	
18	4860240	2	Rubber Tires / Rubber Tires - Rear Only	
18	1705981	2	Decal - This Side In (Not Shown)	
19	4812000	2	Flatwasher 10mm (Prior to SN 0130006183)	
		Ref	TORQUE LIMITER CLUTCH ASSEMBLY	
	1400126	Ref	Torque Limiter Clutch Assembly (Prior to SN 0130006340)	C
	1400128	Ref	Torque Limiter Clutch Assembly (No Serviceable Parts Available - Replaced with P/N 1400126) (SN 0130006340 through 0130006397)	C
	1400126	Ref	Torque Limiter Clutch Assembly (SN 0130006398 to Present)	C
101	7023351	1	Hub	
102	7023352	1	Chain	
103	7023353	1	Sprocket	
104	7023354	1	Bushing	
105	7023355	2	Facing, Friction	
106	7023356	1	Plate, Pressure	
107	7023357	3	Disc, Spring	

SECTION 1 - BASE

ITEM	PART NUMBER	QTY	DESCRIPTION	REV
108	7023358	1	Lockwasher, Tabbed	
109	7023359	1	Nut, Adjusting	
110	7023360	1	Sprocket	
111	7023361	1	Setscrew	

SECTION 1 - BASE

FIGURE 1-5. DRIVE MOTOR ASSEMBLY

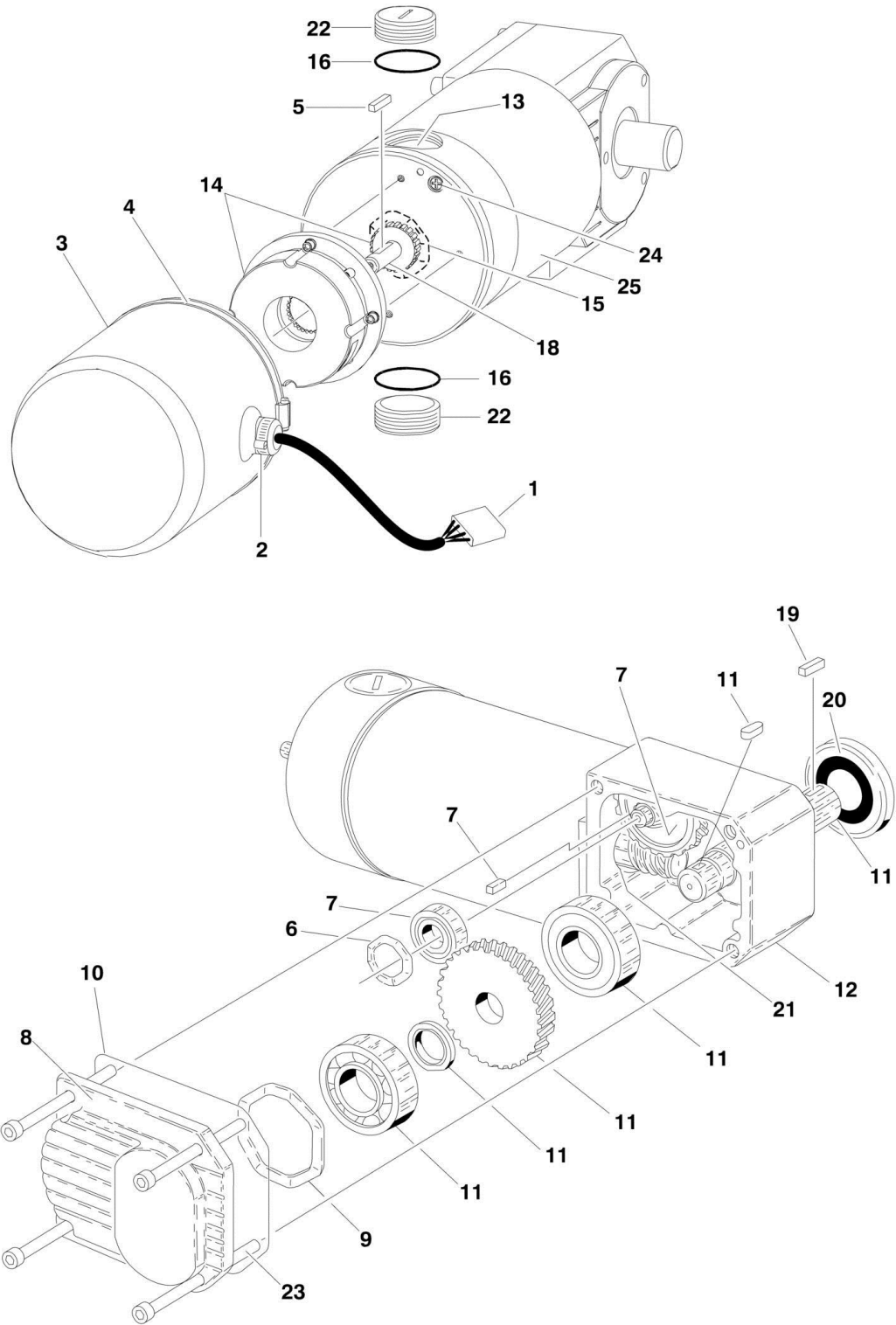


FIGURE 1-5. DRIVE MOTOR ASSEMBLY

ITEM	PART NUMBER	QTY	DESCRIPTION	REV
		Ref	DRIVE MOTOR ASSEMBLY OPTIONS:	
	3160282	Ref	24 Volt (Standard) (Prior to SN 0130006340)	G
	3160312	Ref	24 Volt (Standard) (SN 0130006340 to Present)	A
1	7018030	1	Boot, Terminal	
1	7018031	1	Housing, Terminal	
1	7018032	2	Terminal, Motor Lead	
1	Not Available	2	Terminal, Brake Lead	
2	7018033	1	Clamp	
3		Ref	Boot Options:	
3	7018034	1	Boot (Prior to SN 0130006340)	
3	7018062	1	Boot (SN 0130006340 to Present)	
4	7018035	1	Clamp	
5	7018001	1	Key	
6	7018009	2	Washer, Wave	
7	7018040	1	Bearing, Gear and Pinion Assembly	
8	7018041	1	Shield	
9	7018010	1	Washer, Wave	
10	7018028	1	O-Ring	
11	7018042	1	Bearing, Gear and Driveshaft Assembly	
12	7018043	1	Housing, Gear	
13	7018000	1	Spring and Brush Kit (Includes (Qty.2 Each) of Brushes, Caps, Springs and Screws)	
13	70003676	1	Ring Assembly with Magnets (Not Shown)	
14	7018036	1	Brake Assembly	
15	7018011	1	Washer, Wave	
15	Not Available	1	Bearing	
16	7018037	2	O-Ring	
17	7018038	1	Ring Assembly	
18	7018039	1	Armature	
19	7018021	1	Key	
20	7018026	1	Seal	
21	70000933	1	Seal	
21	Not Available	1	Bearing	
22	7018045	2	Cap, Brush	
23	0641408	4	Bolt	
24	7018049	1	Bolt (Motor p/n 3160283 Only)	
25	7018050	1	Shield (Motor p/n 3160283 Only)	

SECTION 1 - BASE

FIGURE 1-6. COVER INSTALLATION

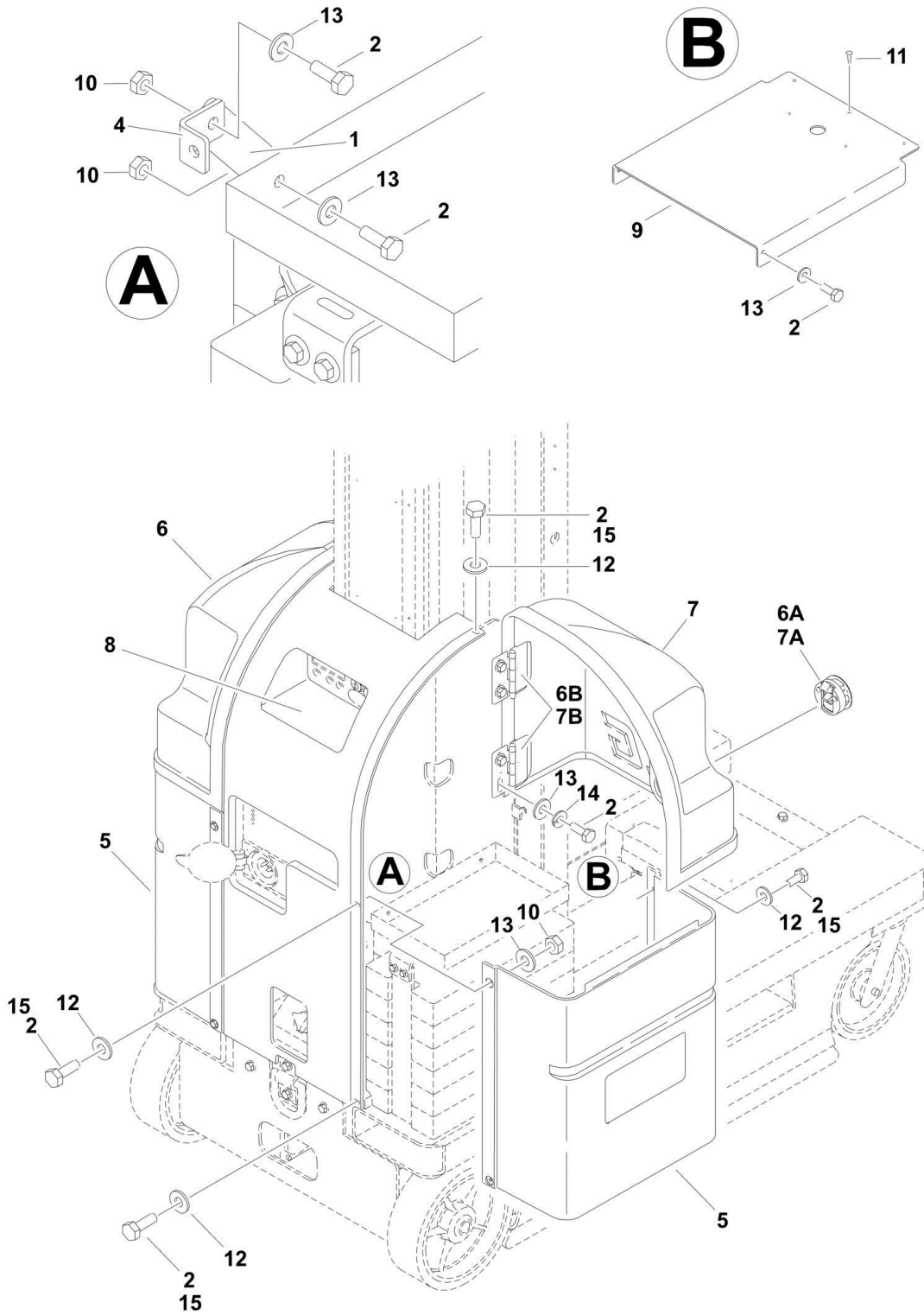


FIGURE 1-6. COVER INSTALLATION

ITEM	PART NUMBER	QTY	DESCRIPTION	REV
		Ref	COVER INSTALLATIONS	
	0271264	Ref	HINGED	E
	0272161	Ref	HINGED LOCKABLE	C
	0272276	Ref	FIXED STANDARD (SN 0130004365 to Present)	C
	0272330	Ref	FIXED/SECURITY LOCK (SN 0130004365 to Present)	A
1	0120006	2	Adjuster, Hood	
2	0641405	AR	Bolt 1/4in-20NC x 5/8in	
3	0641408	2	Bolt 1/4in-20NC x 1in (Not Required On Fixed Cover)	
4		Ref	Bracket, Hood Support Options:	
4	0902737	2	Hinged Cover (Prior to SN 0130005597)	
4	0902836	2	Hinged Cover (SN 0130005597 to Present)	
4	0902836	4	Fixed Cover	
5	1671014	2	Cover, Counterweight	
6		Ref	Cover, Left Options:	
6	1671073	1	Fixed	
6	1671015	1	Hinged	
6	1671065	1	Hinged Lockable	
6A	7023493	1	Latch	
6B	2600258	2	Hinge	
7		Ref	Cover, Right Options:	
7	1671074	1	Fixed	
7	1671077	1	Fixed/Security Lock	
7	1671016	1	Hinged	
7	1671066	1	Hinged Lockable	
7A	7023493	1	Latch	
7B	2600258	2	Hinge	
8		Ref	Cover, Ground Station Options:	
8	1671017	1	Hinged	
8	1671072	1	Fixed	
9	1671026	1	Cover, Charger	
10	3311405	AR	Locknut 1/4in-20NC	
11	3820032	3	Rivet	
12	4711400	AR	Flatwasher 1/4in Narrow (Prior to SN 0130005597)	
13	4751400	AR	Flatwasher 1/4in	
14	4761400	8	Lockwasher 1/4in (Not Required On Fixed Cover)	
15	3900258	18	Button Head Screw 1/4-20NC x 3/4 (Fixed Cover Only)	
		Ref	Kit, Covers Options:	
	2902387	1	Hinged, Covers (Included Items 5 - 8) (SN 0130006279 to Present)	2
	2902388	1	Hinged Lockable, Covers (Included Items 5 - 8) (SN 0130006279 to Present)	2
	2902390	1	Fixed Standard Covers (Included Items 5 - 8) (SN 0130006279 to Present)	2

SECTION 1 - BASE

FIGURE 1-7. MAST AND BATTERY BOX INSTALLATION

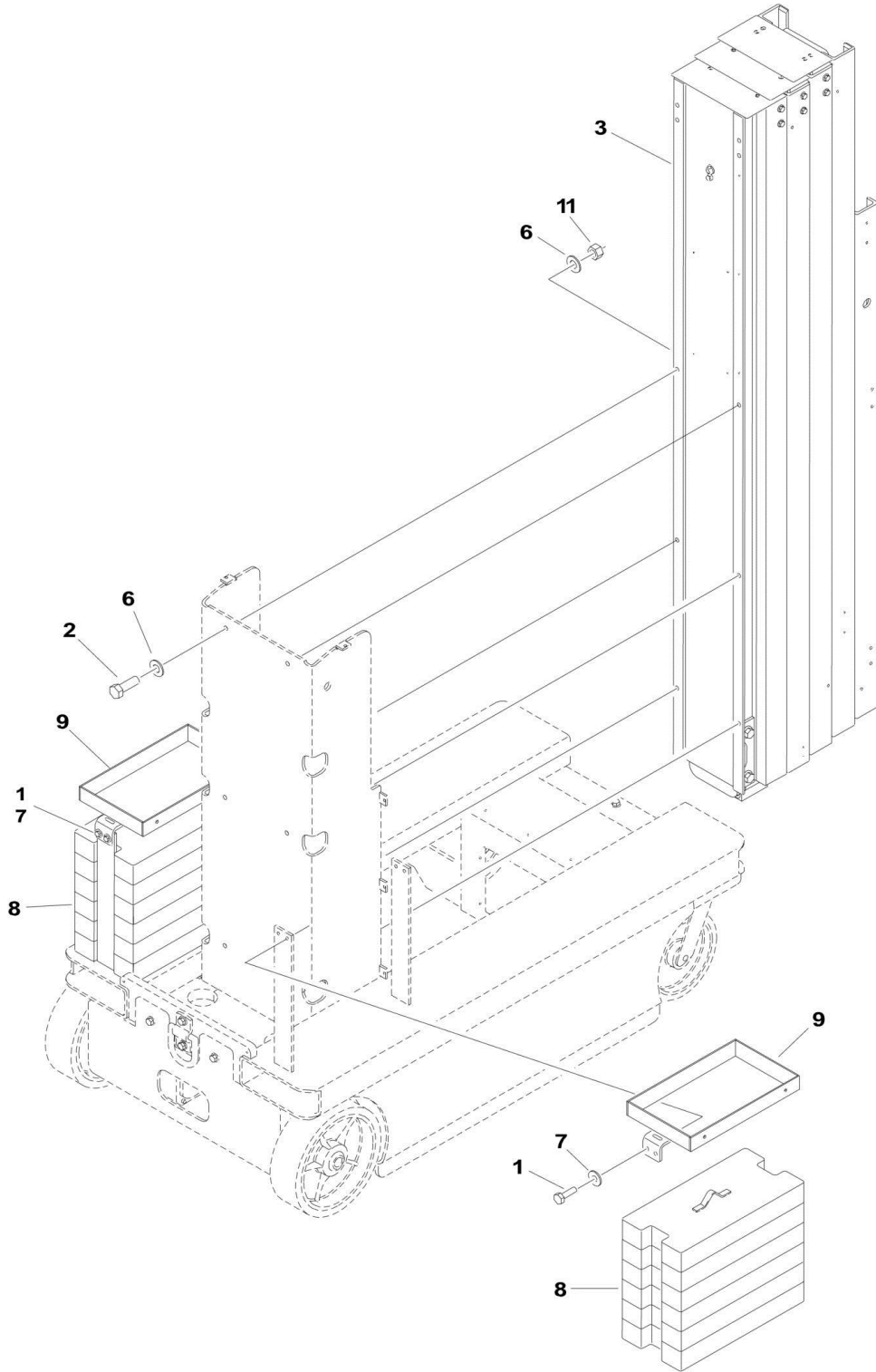


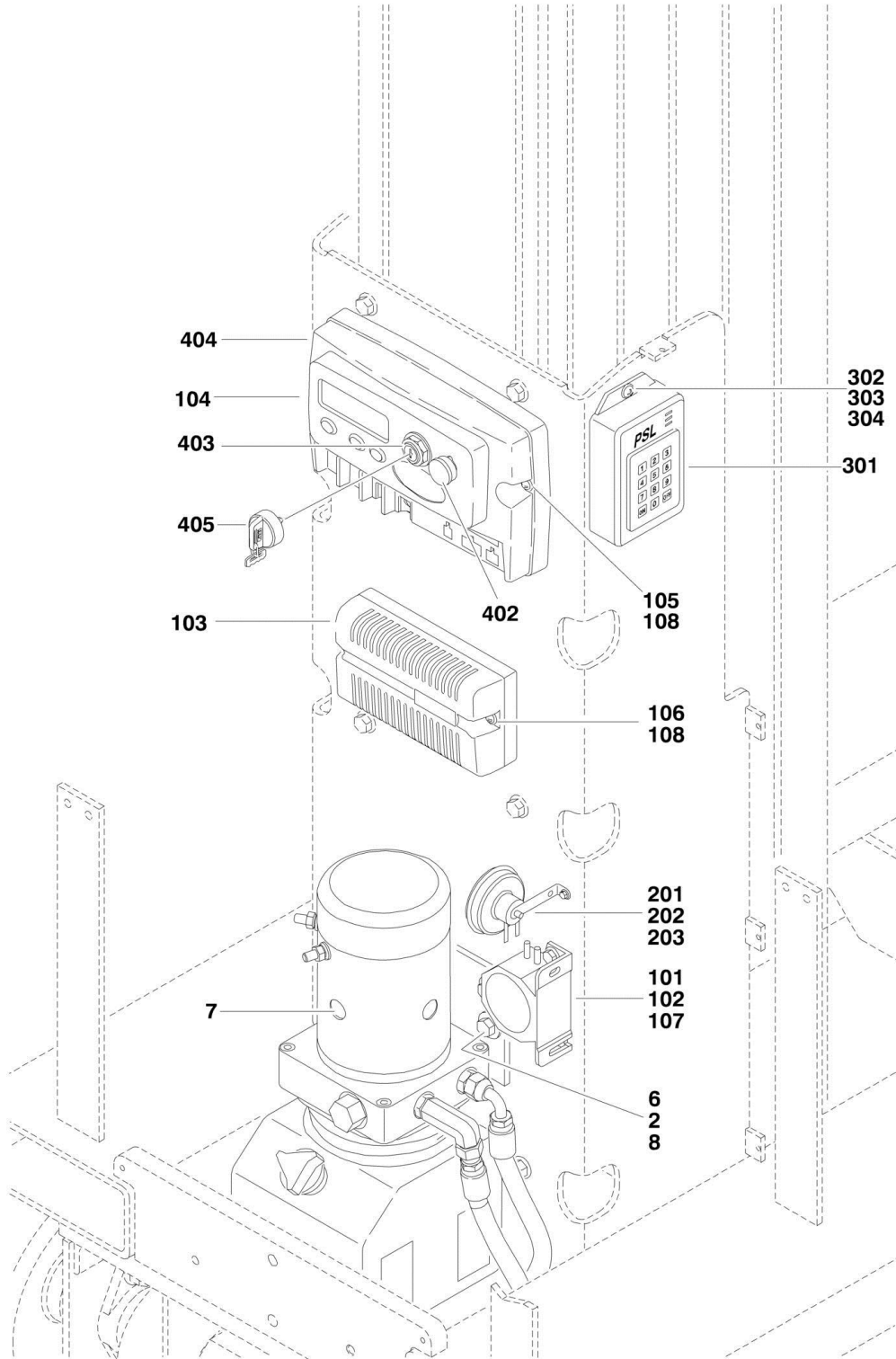
FIGURE 1-7. MAST AND BATTERY BOX INSTALLATION

ITEM	PART NUMBER	QTY	DESCRIPTION	REV
		Ref	MAST SUPPORT INSTALLATION	
	0271259	Ref	Mast Support Installation 15DVL/15DVSP	D
	0271260	Ref	Mast Support Installation 20DVL/20DVSP	D
	0273323	Ref	Mast Support Installation 15DVSP (No Lanyard Attach Point)	A
	0273322	Ref	Mast Support Installation 20DVSP (No Lanyard Attach Point)	A
1	0641407	AR	Bolt 1/4in-20NC x 7/8in	
2	0641609	6	Bolt 3/8in-16NC x 1 1/8in	
3		Ref	Mast Assembly (Not Shown - MAST SECTION for Breakdown)	
3	0801308	1	Mast Assembly 15DVL/15DVSP	
3	0801309	1	Mast Assembly 20DVL/20DVSP	
3	0801377	1	Mast Assembly 15DVSP (No Lanyard Attach Point)	
3	0801376	1	Mast Assembly 20DVSP (No Lanyard Attach Point)	
6	4711600	12	Flatwasher 3/8in Narrow	
7	4751400	8	Flatwasher 1/4in Wide	
8	4846445	2	Weldment, Counterweight	
9	4846447	2	Box, Battery	
10	0100019	AR	Loctite #421 (Not Shown)	
11	3311601	6	Nut 3/8in-16NC	
12	0100011	AR	Loctite #242 (Not Shown)	

SECTION 2 - CONTROLS

SECTION 2 - CONTROLS

FIGURE 2-1. PUMP/MOTOR/GROUND CONTROL/HORN INSTALLATIONS



SECTION 2 - CONTROLS

FIGURE 2-1. PUMP/MOTOR/GROUND CONTROL/HORN INSTALLATIONS

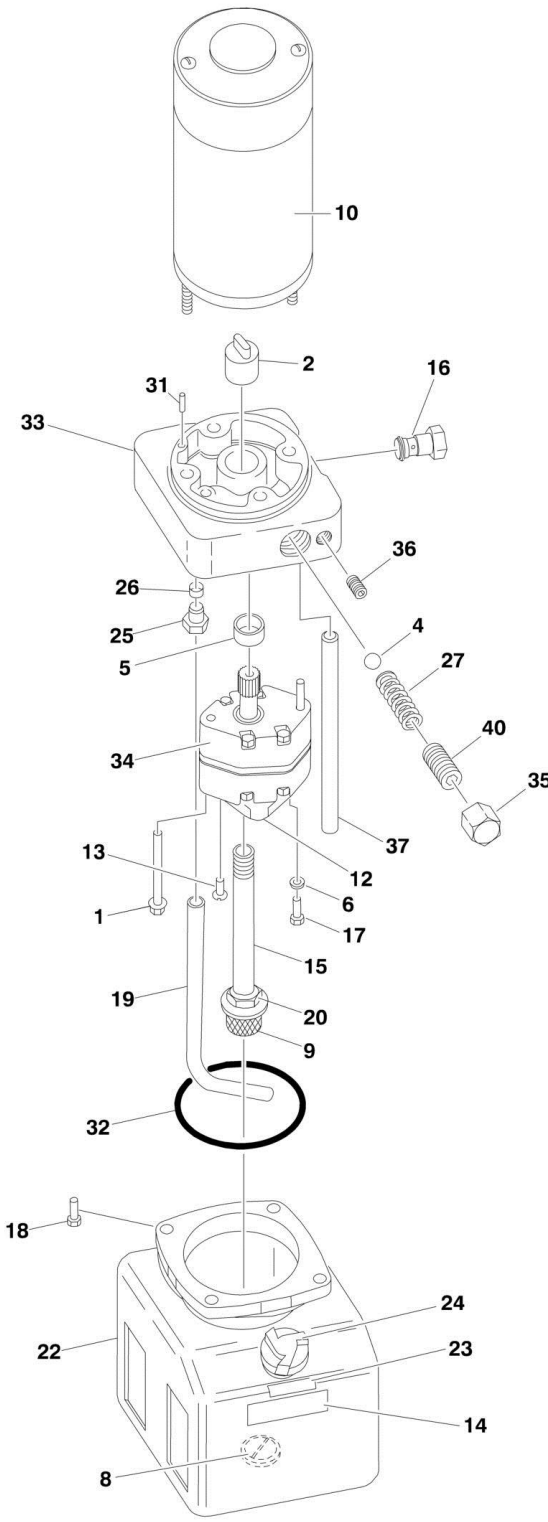
ITEM	PART NUMBER	QTY	DESCRIPTION	REV
	0271261	Ref	PUMP/MOTOR INSTALLATION	B
1	0100011	AR	Loctite #242 (Not Shown)	
2	0641606	4	Bolt 3/8in-16NC x 3/4in	
3	0741605	2	Screw, Flathead 3/8in-16NC x 5/8in	
6	3571734	1	Plate, Mounting	
7	3600326	NLA	Pump/Motor Assembly (See PUMP/MOTOR ASSEMBLY for Breakdown) (Use p/n 3600463)	
7	3600463		Pump/Motor Assembly (Service Replacement) (See PUMP/MOTOR ASSEMBLY (SERVICE REPLACEMENT) for Breakdown)	
8	4751600	4	Flatwasher 3/8in	
		Ref	Ground Control Box Assembly Options:	
	0272206	Ref	Ground Control (Standard)	B
	0271664	Ref	Ground Control (Keyless)	B
101	0140033	1	Alarm	
102	0641404	2	Bolt 1/4in-20NC x 1/2in	
103		Ref	Module, Traction Options:	
103	1600321	NLA	Module, Traction (Use p/n 1600397) (Prior to SN 0130007870)	
103	1600397	1	Module, Traction (SN 0130007870 to Present)	
104		Ref	Module, Ground Control Options (See Items 401 to 405 for Breakdown):	
104	1600335	1	Module with Key (Standard)	
104	1600329	1	Module, Keyless	
105	3911016	2	Screw #10-24NC	
106	3911020	2	Screw #10-24NC	
107	4711400	4	Flatwasher 1/4in Narrow	
108	4751000	AR	Flatwasher #10	
	0271982	Ref	HORN INSTALLATION	C
201	0140022	1	Horn	
202	0641404	1	Bolt 1/4in-20NC x 1/2in	
203	4711400	1	Flatwasher 1/4in Narrow	
		Ref	PROGRAMMABLE SECURITY LOCK INSTALLATION (OPTIONAL)	
	0271981	Ref	Hinged Cover	B
	0272329	Ref	Fixed Cover	B
301	See Note	1	Lock, Electronic (Note: Purchase p/n 0272181 as Pre-wired Service Replacement)	
302		Ref	Screw Options:	
302	3911008	2	Hinged Cover	
302	3911010	2	Fixed Cover	
303	4751000	AR	Flatwasher #10	
304	3311005	2	Locknut #10-24NC (Fixed Cover Only)	
		Ref	GROUND CONTROL MODULE COMPONENTS OPTIONS:	
	1600335	Ref	Module with Key	
	1600329	Ref	Module, Keyless	
401	70000087	1	Cable, P and G Software Upgrade (Not Shown)	
402	7024428	1	Switch, Emergency Stop	
403		Ref	Switch Options:	
403	7024430	1	Selector Switch Assembly (Used with Module 1600329)	
403	7024591	1	Sealed Keyswitch Assembly (Used with Module 1600335)	
404		Ref	Cover Assembly Options:	

SECTION 2 - CONTROLS

ITEM	PART NUMBER	QTY	DESCRIPTION	REV
404	7024460	1	Cover Assembly (Used with Module 1600329)	
404	7024592	1	Cover Assembly w/Keyswitch (Used with Module 1600335)	
405		Ref	Key Replacement (Set of 2) Options:	
405	2860030	2	Module - 1600335	
405	Not Required	0	Module - 1600329	

SECTION 2 - CONTROLS

FIGURE 2-2. PUMP/MOTOR ASSEMBLY



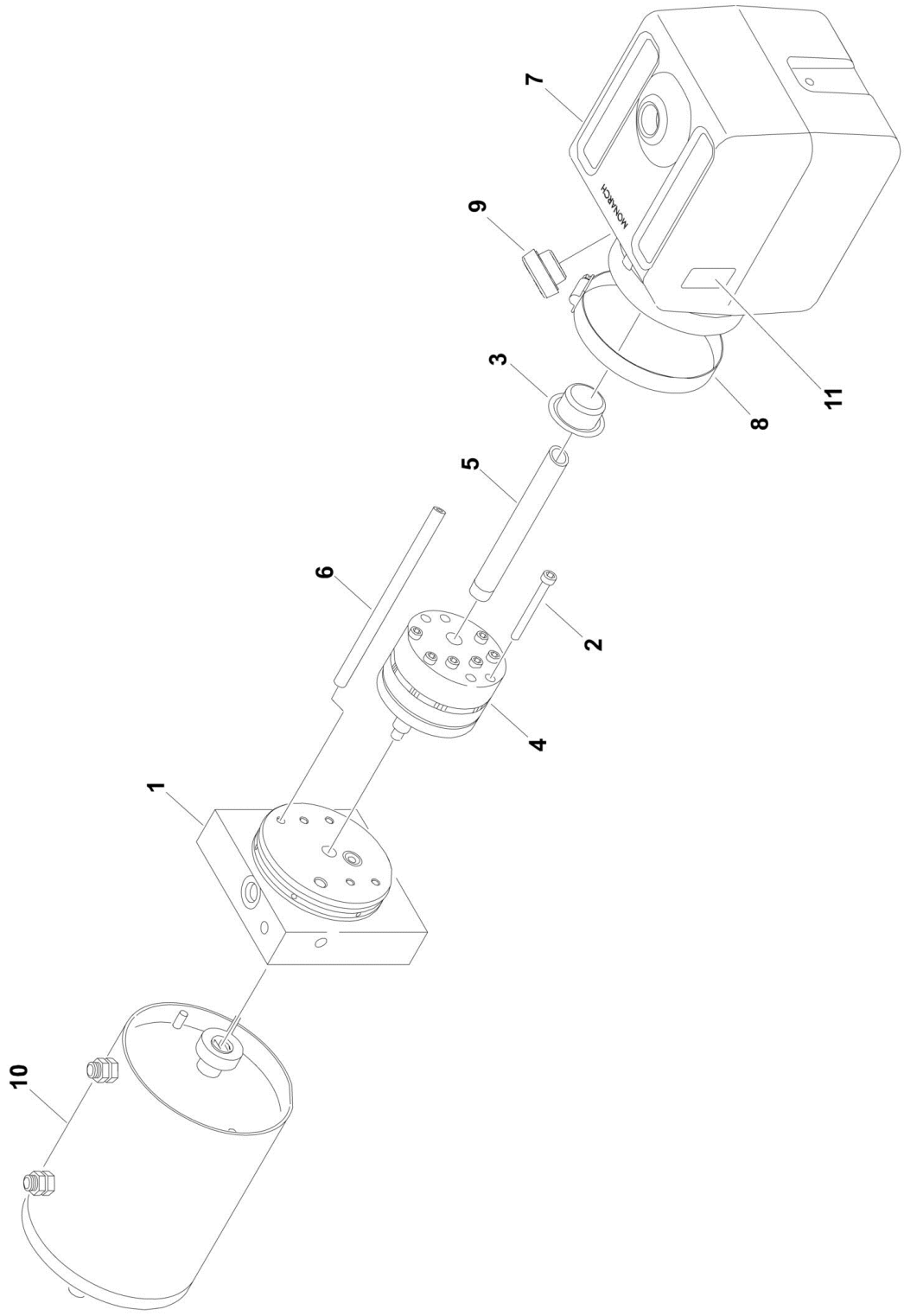
SECTION 2 - CONTROLS

FIGURE 2-2. PUMP/MOTOR ASSEMBLY

ITEM	PART NUMBER	QTY	DESCRIPTION	REV
	3600326	Ref	PUMP/MOTOR/TANK ASSEMBLY	F
1	7013713	2	Bolt 5/16in-24NF x 2 3/4in	
2	7016735	1	Coupling	
4	7013715	1	Ball	
5	7013716	1	Seal, Shaft	
6	7013717	1	Washer	
8	7013722	1	Magnet	
9	7013723	1	Filter - 149 Micron	
10	7016710	1	Motor	
10	7016718	1	Brush Kit	
12	7013727	1	Cover	
13	7013728	2	Screw M6 x 1	
14	Not Serviced	1	Nameplate - Serial Number	
15	7016719	1	Pipe, PCV	
16	7013708	1	Valve, Check Cartridge	
17	3931516	1	Bolt, Socket Head 5/16in-18NC x 1in	
18	7016721	4	Bolt #12-24NC x 1/2in	
19	7022210	1	Tube, Return	
20	7016722	1	Nut 3/8in	
22	7016712	1	Tank, Plastic	
23	7016713	1	Decal - Tank Fill Line	
24	7016714	1	Breather	
25	7013792	1	Nut, Compression	
26	7013793	1	Sleeve, Compression	
27	7022211	1	Spring	
31	7013766	1	Pin	
32	7013743	1	O-Ring	
33	7022212	1	Endhead	
34	7016717	1	Pump Assembly	
34	7013701	1	Seal Kit - Pump	
35	7013779	1	Cap	
36	7013720	2	Plug 1/16in	
37	7016724	1	Tube	
40	7013770	1	Valve, Screw Adjustment	

SECTION 2 - CONTROLS

FIGURE 2-3. PUMP/MOTOR ASSEMBLY (SERVICE REPLACEMENT)



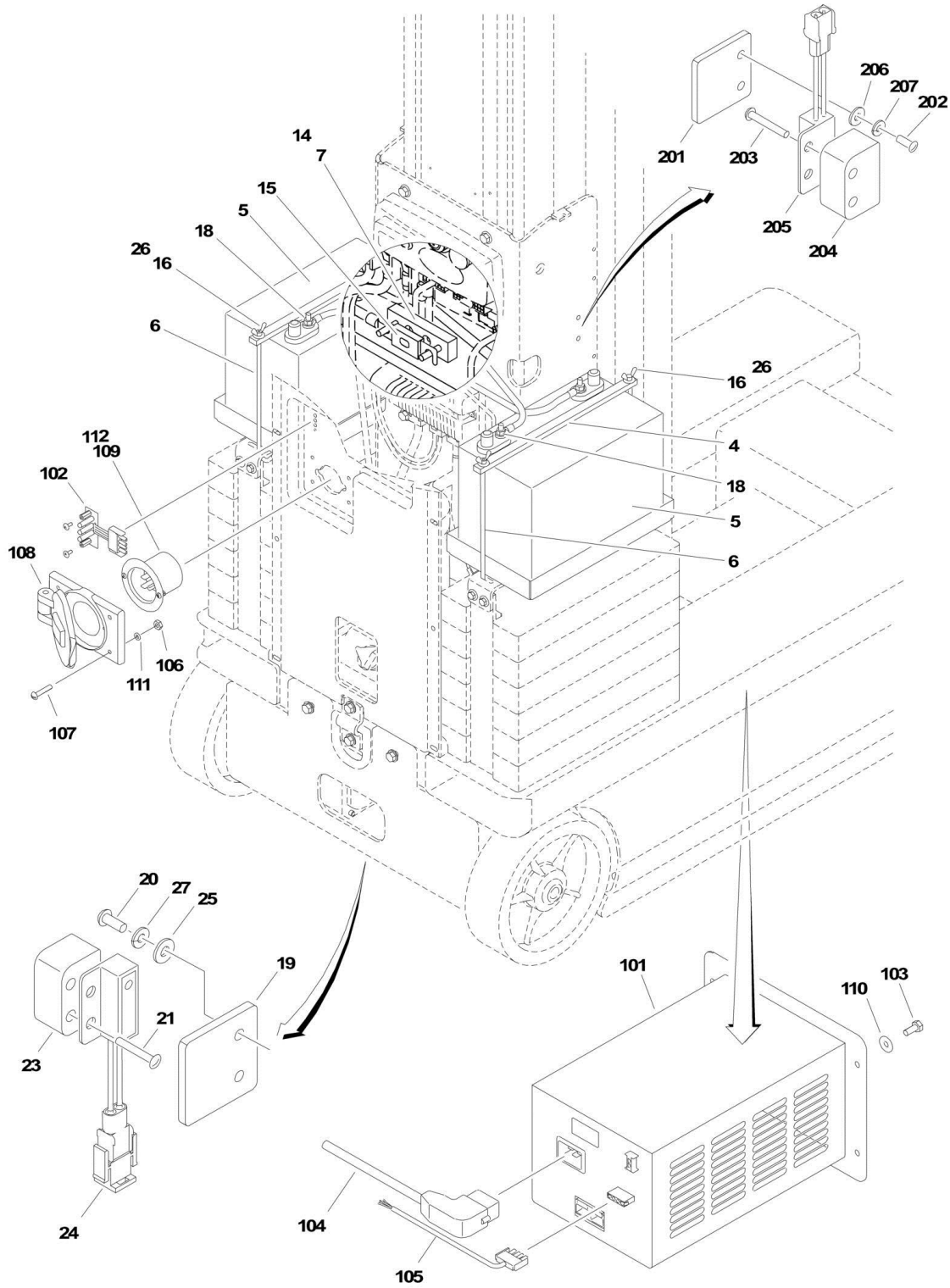
SECTION 2 - CONTROLS

FIGURE 2-3. PUMP/MOTOR ASSEMBLY (SERVICE REPLACEMENT)

ITEM	PART NUMBER	QTY	DESCRIPTION	REV
	3600463	Ref	PUMP/MOTOR ASSEMBLY	A
1	70001019	1	Base Assembly	
2	70001020	4	Capscrew 1/4in-20NC x 2 3/4in	
3	7026165	1	Filter	
4	70001021	1	Pump	
5	70001022	1	Tube, Suction	
6	70001023	1	Tube, Return	
7	70001024	1	Reservoir	
8	7026335	1	Clamp	
9	70001025	1	Plug	
10	70001026	1	Motor	
10	70001028	4	Brushes	
11	70001027	1	Decal - Fill Line	

SECTION 2 - CONTROLS

FIGURE 2-4. BATTERIES/CHARGER/SWITCHES INSTALLATION



SECTION 2 - CONTROLS

FIGURE 2-4. BATTERIES/CHARGER/SWITCHES INSTALLATION

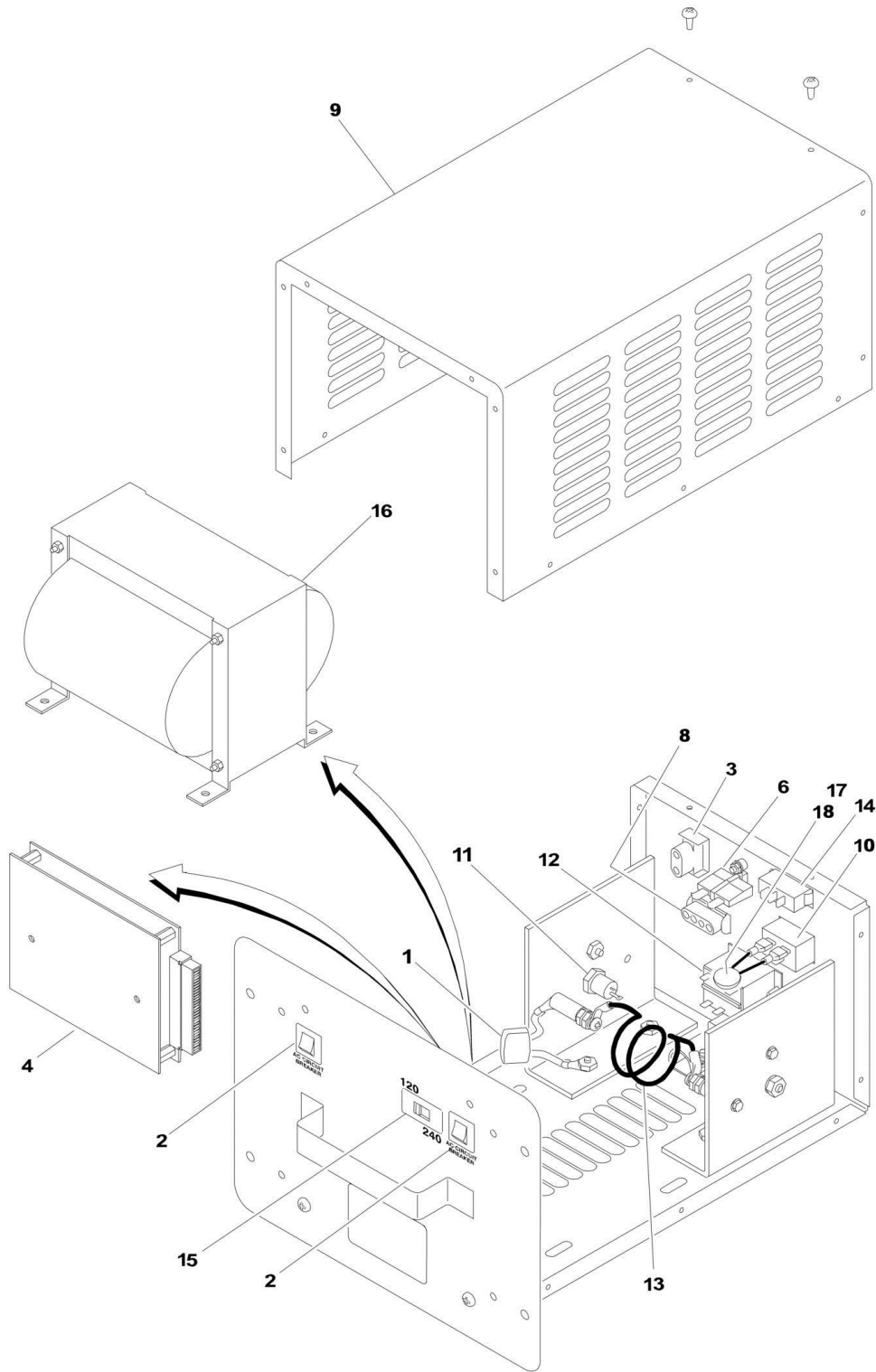
ITEM	PART NUMBER	QTY	DESCRIPTION	REV
	0271263	Ref	ELECTRICAL COMPONENTS INSTALLATION	E
1	0100035	AR	Loctite #222 (Not Shown)	
4	0362658	2	Bar, Battery Hold-down	
5	0400209	2	Battery	
6	0630552	4	Bolt	
7	0741006	2	Screw, Countersunk #10-24NC x 3/4in	
14	2400044	1	Block, Fuse Mounting	
15	2400069	1	Fuse	
16	3300202	4	Wingnut	
18	3311501	4	Nut 5/16in-18NC	
19	3572511	1	Plate, Proximity Switch Mounting	
20	3900205	2	Screw #10-24NC x 5/8in	
21	3911020	2	Screw #10-24NC x 1 1/4in	
23		Ref	Shim Options:	
23	4071043	1	Shim (Prior to SN 0130004660)	
23	4071058	1	Shim (SN 0130004660 to Present)	
24	4360514	1	Switch, Proximity	
25	4750800	2	Flatwasher #8	
26	4751400	4	Flatwasher 1/4in	
27	4761000	2	Lockwasher #10	
31	4240032	2	Tie, Wire (Not Shown)	
32	3020038	AR	Grease, Contact (Not Shown)	
33	4761500	4	Flatwasher 5/16in (Not Shown)	
		Ref	BATTERY CHARGER INSTALLATION	
	0271811	Ref	Australian Spec	C
	0271810	Ref	CE Spec	B
101	0400208	1	Battery Charger Assembly (See BATTERY CHARGER ASSEMBLY for Breakdown)	
102	0610131	1	LED Board	
103	0641405	4	Bolt 1/4in-20NC x 5/8in	
104	1060949	1	Harness	
105	1060753	1	Harness, LED Board	
106	3311001	AR	Nut #10-24NC	
107	3911016	AR	Screw #10-24NC x 1in	
108	4460802	1	Cover, Terminal	
109		Ref	Receptacle and Boot	
109	4460805	1	Australian Spec (Prior to SN 0130004301)	
109	4460940	1	Australian Spec (SN 0130004301 to Present)	
109	Not Available	1	CE Spec	
110	4751400	4	Flatwasher 1/4in	
111	4761000	AR	Lockwasher #10	
112	4751000	2	Flatwasher #10 (Australian Spec Only)	
	0271962	Ref	12FT LIMITER SWITCH INSTALLATION (15DVSP OPTION)	B
201	3572511	1	Plate, Proximity Switch Mounting	
202	3900205	2	Screw #10-24NC x 5/8in	
203	3911020	2	Screw #10-24NC x 1 1/4in	
204		Ref	Shim Options:	
204	4071043	1	Shim (Prior to SN 0130004670)	
204	4071058	1	Shim (SN 0130004670 to Present)	
205	4360515	1	Switch, Proximity	

SECTION 2 - CONTROLS

ITEM	PART NUMBER	QTY	DESCRIPTION	REV
206	4750800	2	Flatwasher #8	
207	4761000	2	Lockwasher #10	

SECTION 2 - CONTROLS

FIGURE 2-5. BATTERY CHARGER ASSEMBLY



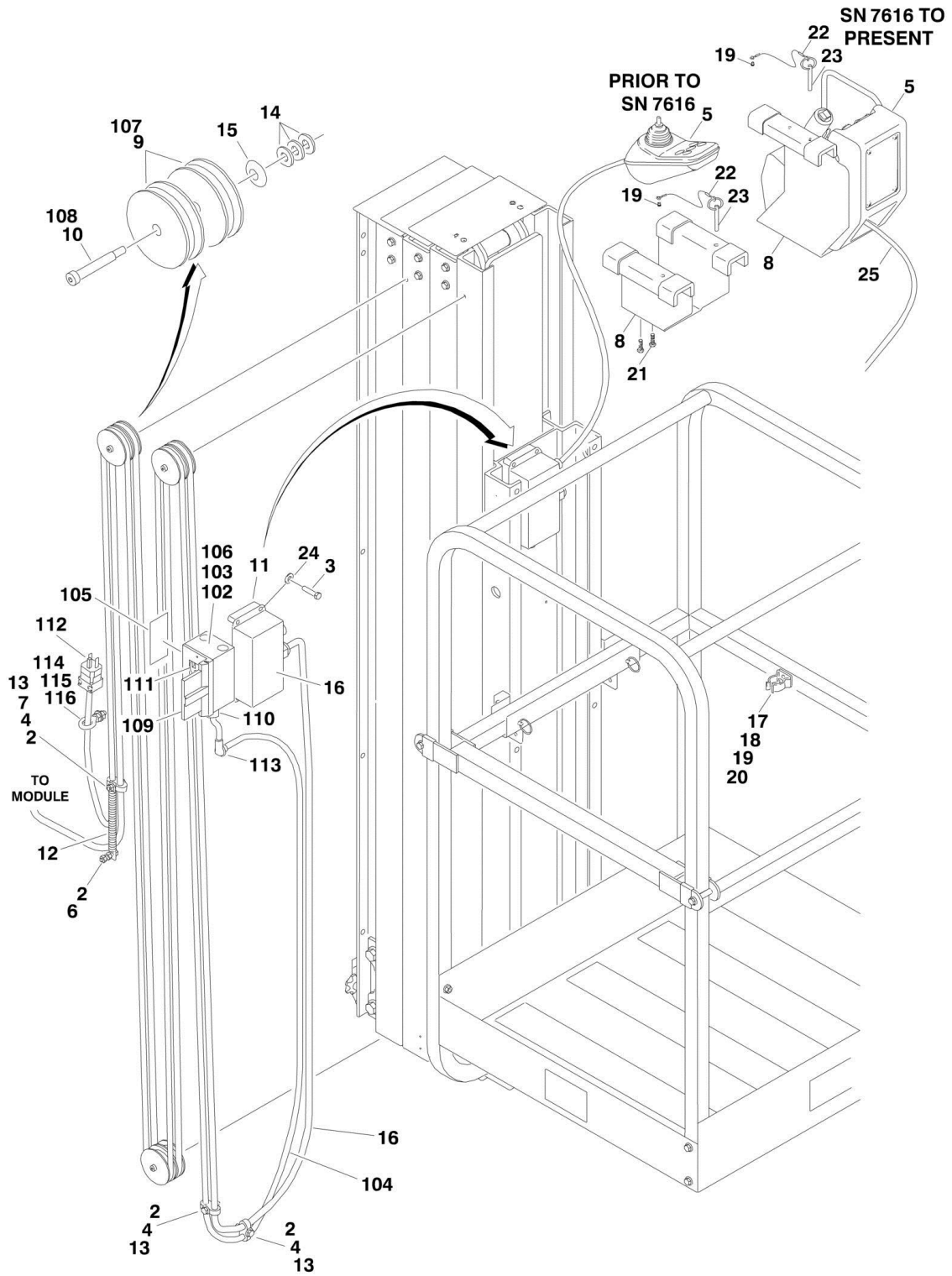
SECTION 2 - CONTROLS

FIGURE 2-5. BATTERY CHARGER ASSEMBLY

ITEM	PART NUMBER	QTY	DESCRIPTION	REV
	0400208	Ref	BATTERY CHARGER ASSEMBLY	D
1	7018577	2	Capacitor	
2	7018514	2	Breaker, Circuit - AC	
3	7011621	1	Connector - 2 Position	
4	7022926	1	Circuit, Control	
4	7022918	1	DC Harness Assembly	
5	7022942	1	Fuse Assembly (Not Shown) (SN 0130004468 to Present)	
6	7018570	1	Fuse 80 Amp	
7	7022919	1	Harness, SCR (Not Shown)	
8	7022920	1	Harness with 4 Position Connector	
9	7022921	1	Cover, Case	
10		Ref	Plug, AC Options:	
10	7020648	1	Plug, AC (Prior to SN 0130004468)	
10	7022943	1	Plug, AC (SN 0130004468 to Present)	
11	7020673	1	Rectifier, SCR	
12	7018564	1	Relay (Black)	
13		Ref	Shunt Assembly Options:	
13	7020651	1	Shunt Assembly (Prior to SN 0130004468)	
13	7020674	1	Shunt Assembly (SN 0130004468 to Present)	
14	7022922	1	Switch, 10 Amp Slide	
15	7018586	1	Switch, 12 Amp Slide	
16	7022923	1	Transformer	
17		Ref	Varistor Assembly Options:	
17	7018537	1	Varistor Assembly (Prior to SN 0130004468)	
17	7018589	1	Varistor Assembly (SN 0130004468 to Present)	
18	7020663	2	Varistor	

SECTION 2 - CONTROLS

FIGURE 2-6. PLATFORM CABLE AND CONTROLS INSTALLATION



SECTION 2 - CONTROLS

FIGURE 2-6. PLATFORM CABLE AND CONTROLS INSTALLATION

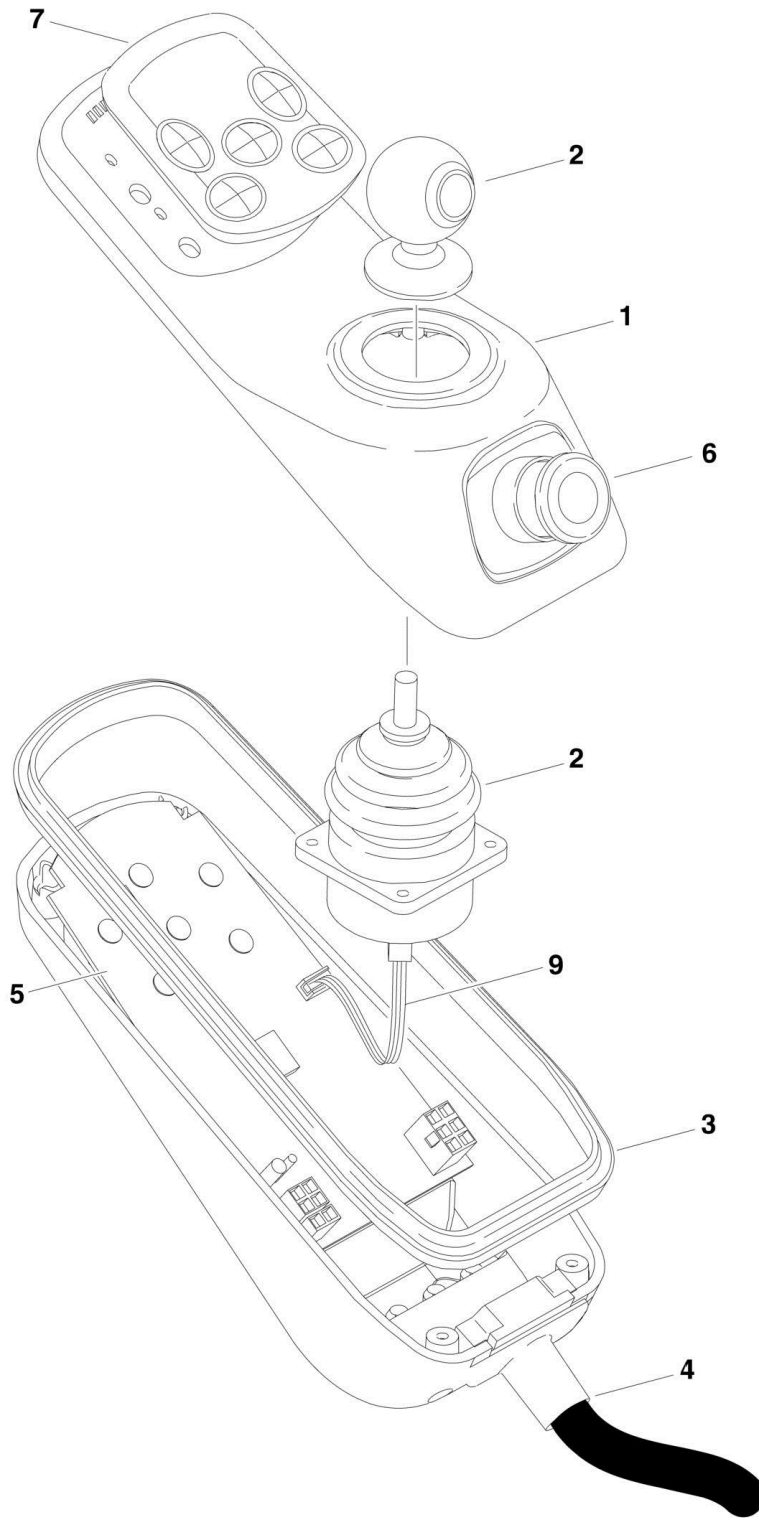
ITEM	PART NUMBER	QTY	DESCRIPTION	REV
		Ref	PLATFORM CONTROLS AND CABLES INSTALLATIONS	
	0271663	Ref	Platform Controls and Cables Installations 15DVSP/20DVSP	K
	0271273	Ref	Platform Controls and Cables Installations 15DVL/20DVL	L
1	0100011	AR	Loctite #242 (Not Shown)	
2	0641412	4	Bolt 1/4in-20NC x 1 1/2in	
3		Ref	Screw Options:	
3	0741008	4	Screw, Countersunk #10-24NC x 1 (Prior to SN 0130004257)	
3	3930816	4	Screw #8-32NC x 1 (SN 0130004257 through 0130004364)	
3	3931016	4	Screw #10-24NC x 1 (SN 0130004365 to Present)	
4	1320149	3	Clamp, Hose	
5		Ref	Controller Assembly Options:	
5	1600323	1	Controller Assembly (See CONTROLLER ASSEMBLY for Breakdown) (Prior to SN 0130007616)	
5	0861693	1	Controller Assembly (See CONTROLLER ASSEMBLY for Breakdown) (SN 0130007616 to Present)	
6	3311401	1	Nut 1/4in-20NC	
7	3311405	2	Locknut 1/4in-20NC	
8		Ref	Bracket, Joystick Options:	
8	3570680	1	Bracket, Joystick (Prior to SN 0130004173)	
8	3573546	1	Bracket, Joystick (SN 0130004173 through 0130007616)	
9		Ref	Pulley, Sheave Options:	
9	3580305	AR	Pulley, Sheave (Prior to SN 0130007127)	
9	3580344	AR	Pulley, Sheave (SN 0130007127 to Present)	
9	3580344	3	Pulley, Sheave 15DVSP/20DVSP	
9	3580344	6	Pulley, Sheave 15DVL/20DVL	
10		Ref	Screw, Shoulder Options:	
10		Ref	Screw, Shoulder 15DVSP without Accessory Receptacle Options: (See Item 108 for 15DVSP with Accessory Receptacle)	
10	3900315	3	Screw, Shoulder (Prior to SN 0130007127)	
10	3900264	3	Screw, Shoulder (SN 0130007127 through 0130007615)	
10	3900373	3	Screw, Shoulder (SN 0130007616 to Present)	
10	3900264	3	Screw, Shoulder 15DVL/20DVL	
11	4071032	2	Shim	
12	4160130	1	Spring, Extension	
13	4711400	4	Flatwasher 1/4in Narrow	
14	4751000	16	Flatwasher #10	
15	4751500	3	Flatwasher 5/16in	
16		Ref	Harness, Platform Control Options (See ELECTRICAL SECTION for Breakdown):	
16	4922559	1	Harness, Platform Control 15DVSP/20DVSP	
16	4922563	1	Harness, Platform Control 15DVL/20DVL (Prior to SN 0130005561)	
16	4922559	1	Harness, Platform Control 15DVL/20DVL (SN 0130005561 to Present)	
17	1320043	2	Clamp, Cable	
18	1380132	2	Clip, Gripper	
19	3820024	AR	Rivet, Pop	
20	4740120	2	Washer, Nylon	
21	0700507	2	Screw, Metric (Prior to SN 0130007616)	
22	1060380	1	Cable, Lanyard (SN 0130004173 to Present)	

SECTION 2 - CONTROLS

ITEM	PART NUMBER	QTY	DESCRIPTION	REV
23	3422657	1	Pin, Quick Release (SN 0130004173 to Present)	
24	4750800	4	Flatwasher #8 (Wide) (SN 0130004257 through 0130004365)	
25	4923316	1	Harness, Platform Control (SN 0130007616 to Present)	
		Ref	ACCESSORY OUTLET INSTALLATION	
	0271291	Ref	220V/240V (DVL)	B
	0271794	Ref	220V/240V (DVSP)	C
101	0100035	AR	Loctite #222 (Not Shown)	
102	0721006	2	Screw, Countersunk Hex #10-24NC x 3/4in	
103	0860946	1	Box, Receptacle	
104	1060948	AR	Cable, Electrical - 12/3	
105	3252760	2	220V - 240V Decal	
106	3311001	2	Nut #10-24	
107		Ref	Pulley, Sheave Options:	
107	3580305	3	Pulley, Sheave 15DVSP (Prior to SN 0130007127)	
107	Not Required	0	Pulley, Sheave 20DVL	
108		Ref	Screw, Shoulder Options:	
108	3900264	3	Screw, Shoulder 15DVSP with Accessory Receptacle (Prior to SN 0130007127)	
108	Not Required	0	Screw, Shoulder 20DVL	
109	Not Available	1	Cover, Receptacle	
110	4460023	1	Connector, Strain Relief	
111	Not Available	1	Receptacle, Female	
112	Not Available	1	Plug, Male	
113	4460566	1	Connector, 90	
114	0630440	1	Bolt, Eye 1/4-20NC (SN 0130004094 to Present)	
115	3311405	1	Locknut 1/4-20NC (SN 0130004094 to Present)	
116	4711400	1	Flatwasher 1/4 (Narrow) (SN 0130004094 to Present)	

SECTION 2 - CONTROLS

FIGURE 2-7. CONTROLLER ASSEMBLY (Prior to SN 0130007616)



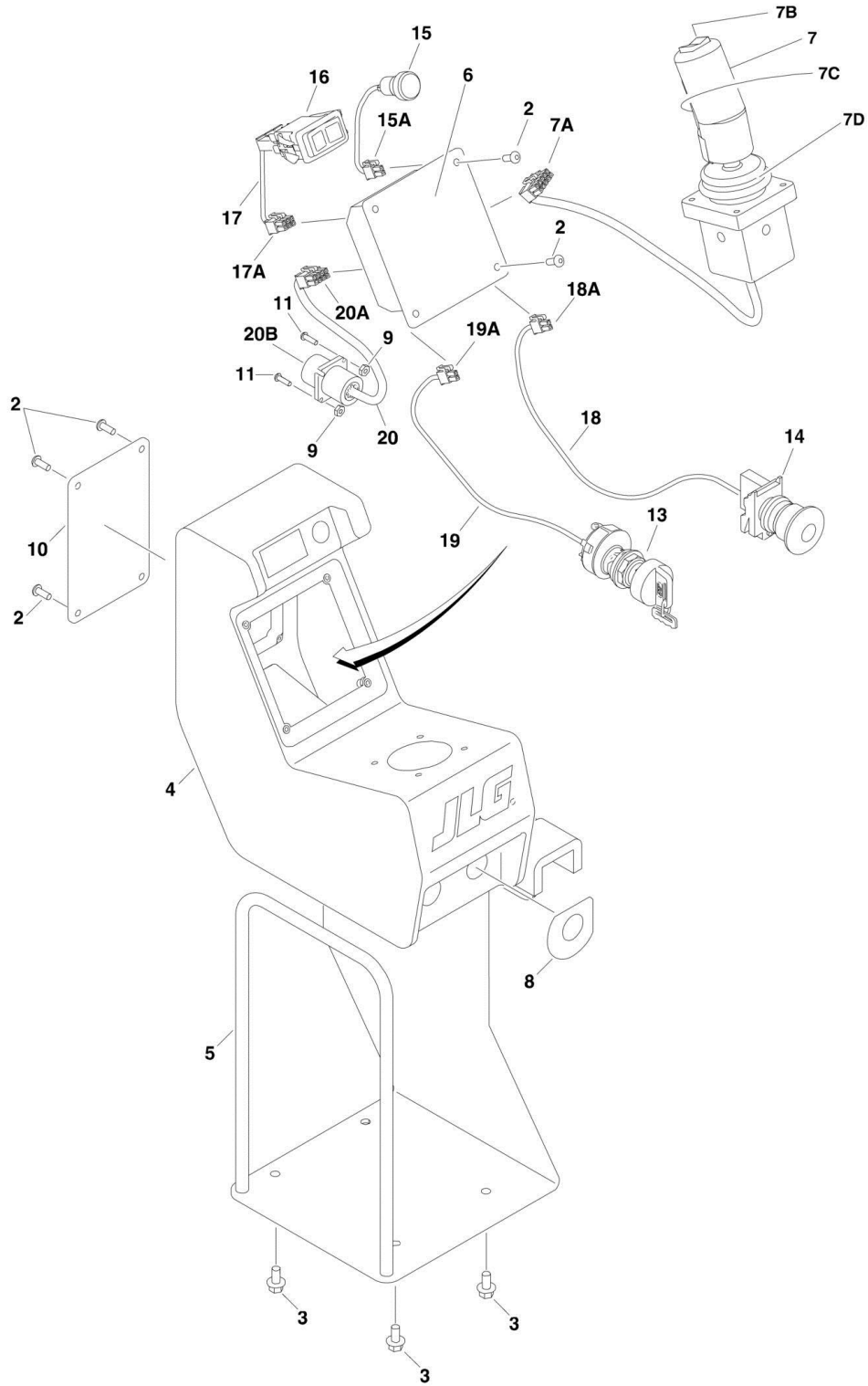
SECTION 2 - CONTROLS

FIGURE 2-7. CONTROLLER ASSEMBLY (Prior to SN 0130007616)

ITEM	PART NUMBER	QTY	DESCRIPTION	REV
	1600323	Ref	CONTROLLER ASSEMBLY	A
1	7024575	1	Case, Top (Includes Items 3 & 7)	
2	7024424	1	"Eyeball" Joystick Assembly	
3	7024425	1	Gasket	
4	7024427	1	Joystick Pigtail Cable	
5	7024426	1	Joystick PCB Assembly	
6	7024422	1	Emergency Stop Switch Assembly	
7	7024423	1	Silicone Button Keypad	
8	7024361	1	Joystick Calibration Key (Not Shown)	
9	7027302	1	Harness	
10	70000928	4	Screw (Not Shown - Holds case together)	

SECTION 2 - CONTROLS

FIGURE 2-8. CONTROLLER ASSEMBLY (SN 0130007616 to Present)



SECTION 2 - CONTROLS

FIGURE 2-8. CONTROLLER ASSEMBLY (SN 0130007616 to Present)

ITEM	PART NUMBER	QTY	DESCRIPTION	REV
	0861693	Ref	CONTROLLER ASSEMBLY	C
1	0100011	AR	Loctite #242 (Not Shown)	
2	0630464	8	Screw #10-24NC x 1/2in	
3	0791404	4	Bolt 1/4in-20NC x 1/2in	
4	0861767	1	Box, Control	
5	0903205	1	Bracket, Control Box	
6	1600378	1	Controller, SSV-10	
6	70003805	1	Decal - Directional Overlay	
7		Ref	Controller, Joystick Options:	
7	1600379	NLA	Controller, Joystick (Use p/n 1600454) (Prior to SN 0130008068)	
7	1600454	1	Controller, Joystick (SN 0130008068 to Present)	
7A	Not Available	1	Connector - 10 Position (Molex MiniFit Jr. P/N 39-01-2100)	
7A	4461023	9	Socket, Female	
7B	7027764	1	Boot, Rubber (Steer Switch)	
7B	7027365	1	Actuator, Handle	
7B	70000082	2	Microswitch	
7B	7027366	1	Microswitch Harness (1600379 Controller Only)	
7B	70000684	2	Screw	
7B	70000686	2	Screw	
7B	70000683	4	Washer, Neoprene	
7B	70000685	2	Spacer	
7C	7027367	1	Switch, Push button	
7C	7027765	1	Lever, Enable	
7D		Ref	Boot, Rubber (Base of Controller) Options:	
7D	70000012	1	1600379 Controller	
7D	70000682	1	1600454 Controller	
7D	7027766	1	Ring, Retaining	
8	1706007	1	Decal - E-Stop	
9	3310601	4	Nut #6-32NC	
10	3380540	1	Panel, Control Box	
11	3910608	4	Screw #6-32NC x 1/2in	
12	3910804	2	Screw #8-32NC x 1/4in	
13	4360467	1	Switch, Key	
13	2860030	1	Key, Replacement (Set of 2)	
14	4360562	1	Switch, Emergency Stop	
15	4360567	1	Switch, Horn (Includes Harness)	
15A	Not Available	1	Connector - 2 Position (Molex MiniFit Jr. P/N 39-01-3022)	
15A	4461023	2	Socket, Female	
16	4360581	1	Switch, Rocker	
17	4923106	1	Harness, Drive and Lift Select	
17A	Not Available	1	Connector - 6 Position (Molex MiniFit Jr. P/N 39-01-2060)	
17A	4461023	3	Socket, Female	
18	4923107	1	Harness, Emergency Stop	
18A	Not Available	1	Connector - 2 Position (Molex MiniFit Jr. P/N 39-01-3022)	
18A	4461023	2	Socket, Female	
19	4923108	1	Harness, Key Switch	
19A	Not Available	1	Connector - 2 Position (Molex MiniFit Jr. P/N 39-01-3022)	
19A	4461023	2	Socket, Female	
20	4923315	1	Harness, Power	

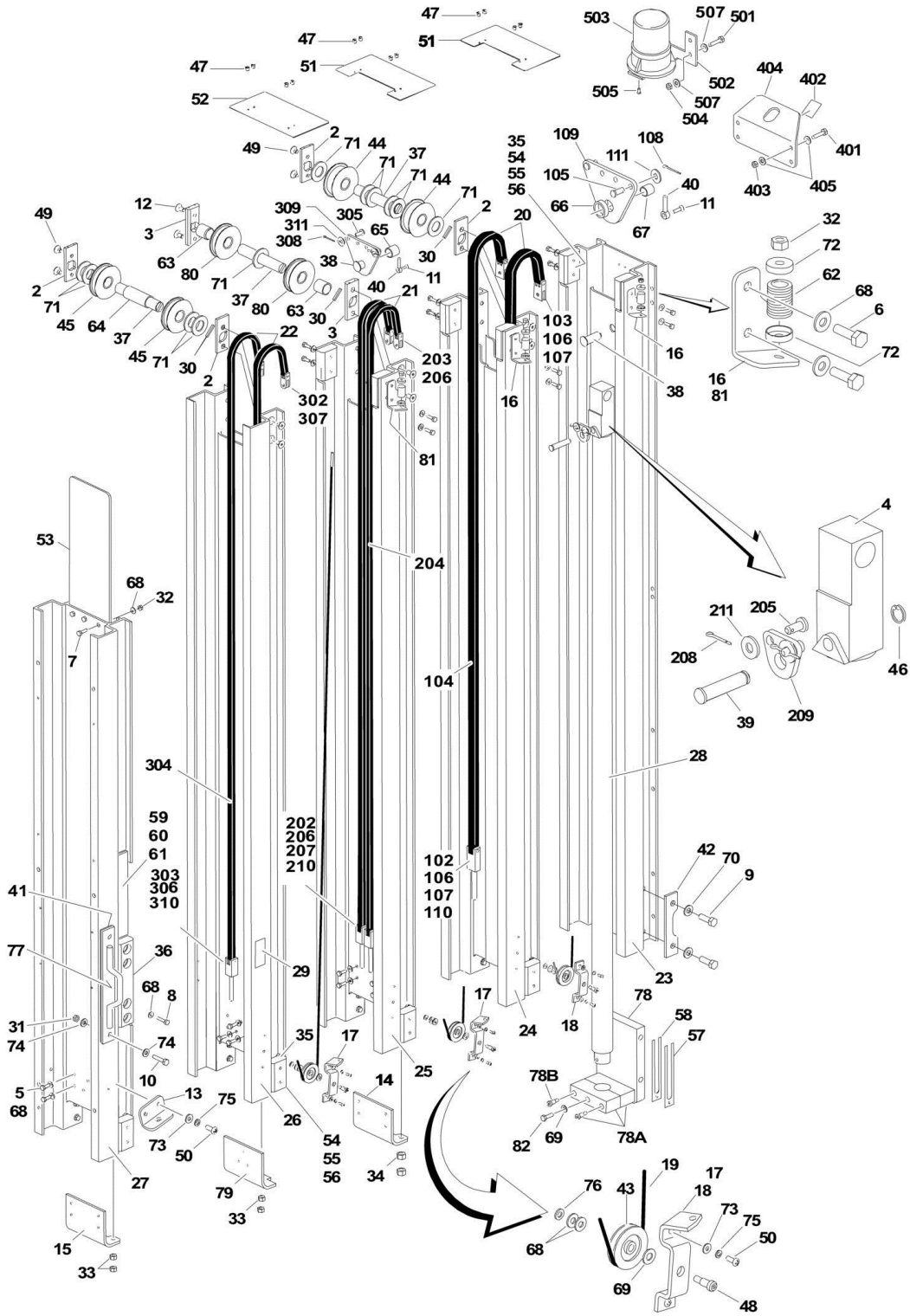
SECTION 2 - CONTROLS

ITEM	PART NUMBER	QTY	DESCRIPTION	REV
20A	4461041	1	Connector - 8 Position	
20A	4461023	6	Socket, Female	
20B	70001798	1	Connector, Female - 9 Position (Clipper CL1M2102)	
20B	70001799	6	Pin, Male (Clipper CM16PC10MQ)	

SECTION 3 - MAST

SECTION 3 - MAST

FIGURE 3-1. MAST ASSEMBLY



SECTION 3 - MAST

FIGURE 3-1. MAST ASSEMBLY

ITEM	PART NUMBER	QTY	DESCRIPTION	REV
		Ref	MAST ASSEMBLY	
	0801308	Ref	Mast Assembly 15DVL/15DVSP	H
	0801309	Ref	Mast Assembly 20DVL/20DVSP	H
	0801377	Ref	Mast Assembly 15DVSP (No Lanyard Attach Point)	A
	0801376	Ref	Mast Assembly 20DVSP (No Lanyard Attach Point)	A
1	0100011	AR	Loctite #242 (Not Shown)	
2	0362735	4	Bar, Sheave Pin Support	
3	0362736	2	Bar, Sheave Pin Support	
4	0561341	1	Block, Chain Anchor	
5	0641406	33	Bolt 1/4in-20NC x 3/4in	
6	0641407	6	Bolt 1/4in-20NC x 7/8in	
7	0641408	3	Bolt 1/4in-20NC x 1in	
8	0641410	8	Bolt 1/4in-20NC x 1 1/4in	
9	0641812	4	Bolt 1/2in-13NC x 1 1/2in	
10		Ref	Bolt 1/2in-13NC x 1 1/2in (Grade 8) Options:	
10	0681812	2	Standard Mast	
10	Not Required	0	Mast with No Lanyard Attach Point	
11	0741006	2	Screw #10-24NC x 3/4in	
12	0741606	4	Screw 3/8in-16NC x 3/4in	
13	0902047	1	Bracket, Sequence Cable	
14	0902422	1	Bracket, Bottom Chain Attach	
15	0902424	1	Bracket, Bottom Chain Attach	
16	0902431	2	Bracket, Sequence Cable	
17	0902445	2	Bracket, Sequence Cable	
18	0902698	1	Bracket, Sequence Cable	
19	1060920	3	Cable, Sequence	
20	1260368	1	Chain Assy - #544 (See Items 101-111 for Breakdown)	
21	1260371	1	Chain Assy - #534 (See Items 201-211 for Breakdown)	
22	1260370	1	Chain Assy - #444 (See Items 301-311 for Breakdown)	
23	1271486	1	Channel, Mast #1	
24	1271487	1	Channel, Mast #2	
25	1271488	1	Channel, Mast #3	
26	1271489	1	Channel, Mast #4	
27		Ref	Channel, Mast Header Options:	
27	1271490	1	Channel, Mast Header 15DVSP/15DVL	
27	1271493	1	Channel, Mast Header 20DVSP/20DVL	
28		Ref	Lift Cylinder Assy Options (See CYLINDER SECTION for Breakdown)	
28		Ref	Lift Cylinder Assy 15DVSP/15DVL	
28	1684143	1	Lift Cylinder Assy (Prior to SN 0130004516)	
28	1684234	1	Lift Cylinder Assy (SN 0130004516 to Present)	
28		Ref	Lift Cylinder Assy 20DVSP/20DVL	
28	1684144	1	Lift Cylinder Assy (Prior to SN 0130004516)	
28	1684233	1	Lift Cylinder Assy (SN 0130004516 to Present)	
29	1704277	1	Decal - Lanyard Attach	
30	2880310	3	Key	
31		Ref	Nut 1/2in-13NC (Grade 8) Options:	
31	3271805	2	Standard Mast	
31	Not Required	0	Mast with No Lanyard Attach Point	
32	3311401	6	Nut 1/4in-20NC	

SECTION 3 - MAST

ITEM	PART NUMBER	QTY	DESCRIPTION	REV
33	3311601	8	Nut 3/8in-16 NC	
34	3311801	4	Nut 1/2in-13NC	
35	3340845	14	Pad, Slide Guide	
36	3340858	2	Pad, Slide Guide	
37	3422717	3	Pin, Sheave	
38	3422750	2	Pin, Chain Equalizer	
39	3422752	1	Pin, Chain Equalizer	
40	3422757	2	Pin, Keeper	
41		Ref	Plate, Safety Attach Backing Options:	
41	3539814	1	Standard Mast	
41	Not Required	0	Mast with No Lanyard Attach Point	
42	3570893	1	Plate, Cylinder Mounting	
43	3580269	3	Sheave, Sequence Cable	
44	3580286	2	Sheave Assembly	
44	0440246	2	Bearing (1 Per Assembly)	
45	3580293	2	Sheave Assembly	
45	0440249	2	Bearing (1 Per Assembly)	
46	3760383	1	Ring, Retaining	
47	3820034	12	Rivet	
48	3900187	3	Screw, Shoulder	
49	3900192	8	Screw 3/8in-16NC x 1/2in	
50	3900205	8	Bolt #10-24NC x 5/8in	
51	4060960	2	Shield, Mast Cover	
52	4060961	1	Shield, Mast Cover	
53	4061034	1	Shield	
54	4070860	AR	Shim, Slide Pad	
55	4070861	AR	Shim, Slide Pad	
56	4070862	AR	Shim, Slide Pad	
57	4070970	2	Shim, Cylinder Mount	
58	4070971	4	Shim, Cylinder Mount	
59	4070988	2	Shim, Slide Pad	
60	4070989	2	Shim, Slide Pad	
61	4070990	2	Shim, Slide Pad	
62	4160124	3	Spring	
63	4567489	2	Tube, Spacer	
64	4567492	1	Tube, Spacer	
65	4567749	1	Tube, Spacer	
66	4567750	1	Tube, Spacer	
67	4567751	1	Tube, Spacer	
68	4711400	59	Flatwasher 1/4in Narrow	
69	4711500	4	Flatwasher 5/16in Narrow	
70	4711800	4	Flatwasher 1/2in Narrow	
71	4740007	11	Washer, Thrust	
72	4740414	6	Washer, Cup	
73	4750800	8	Flatwasher #8 Wide	
74		Ref	Flatwasher 1/2in Wide Options:	
74	4751800	4	Standard Mast	
74	Not Required	0	Mast with No Lanyard Attach Point	
75	4761000	8	Lockwasher #10	
76	4761400	3	Lockwasher 1/4in	
77		Ref	Attachment, Safety Options:	

SECTION 3 - MAST

ITEM	PART NUMBER	QTY	DESCRIPTION	REV
77	4845345	1	Standard Mast	
77	Not Required	0	Mast with No Lanyard Attach Point	
78	4846514	1	Mount, Cylinder	
78A	3572847	1	Mount Assembly	
78B	3900163	2	Screw, Socket Head 3/8in-16NC x 2in	
79	4846481	1	Bracket, Bottom Chain Attach	
80	3580291	2	Sheave Assembly	
80	0440248	2	Bearing (1 Per Assembly)	
81	0902775	1	Bracket, Sequence Cable	
82	0641508	1	Bolt 5/16in-18NC x 1in	
83	3020041	AR	Lube, Dry (Not Shown)	
		Ref	Mast Kit Options (Includes Items 23-27):	
	0271822	1	Mast Kit 15DVL/15DVSP	
	0271821	1	Mast Kit 20DVL/20DVSP	
	1260368	Rev.	CHAIN ASSEMBLY - #544 CHAIN	B
101	0100062	AR	Loctite #RC/640 (Not Shown)	
102	0561308	2	Block, Chain Anchor	
103	0561336	2	Block, Chain Anchor	
104	Purchased Assy	AR	Chain	
105	3422338	2	Pin, Equalizer	
106	3422720	4	Pin, Chain Anchor	
107	3450202	8	Pin, Cotter	
108	3450304	2	Pin, Cotter	
109	3571101	1	Plate, Chain Adjustment	
110	4300129	2	Stud	
111	4751500	2	Flatwasher 5/16in	
	1260371	Rev.	CHAIN ASSEMBLY - #534 CHAIN	A
201	0100062	AR	Loctite #RC/640 (Not Shown)	
202	0561309	2	Block, Chain Anchor	
203	0561337	2	Block, Chain Anchor	
204	Purchased Assy	AR	Chain	
205	3422338	2	Pin, Equalizer	
206	3422722	4	Pin, Chain Anchor	
207	3450202	4	Pin, Cotter	
208	3450304	2	Pin, Cotter	
209	3571103	1	Plate, Chain Adjustment	
210	4300111	2	Stud	
211	4751500	2	Flatwasher 5/16in	
	1260370	Rev.	CHAIN ASSEMBLY - #444 CHAIN	B
301	0100062	AR	Loctite #RC/640 (Not Shown)	
302	0561149	2	Block, Chain Anchor	
303	0561408	2	Block, Chain Anchor	
304	Purchased Assy	AR	Chain	
305	3422338	2	Pin, Equalizer	
306	3422346	2	Pin, Grooved	
307	3422355	2	Pin, Grooved	
308	3450304	2	Pin, Cotter	
309	3571101	1	Plate, Chain Adjustment	
310	4300111	2	Stud	
311	4751500	2	Flatwasher 5/16in	
	0271297	Ref	CRANE HOOK INSTALLATION (OPTIONAL)	A

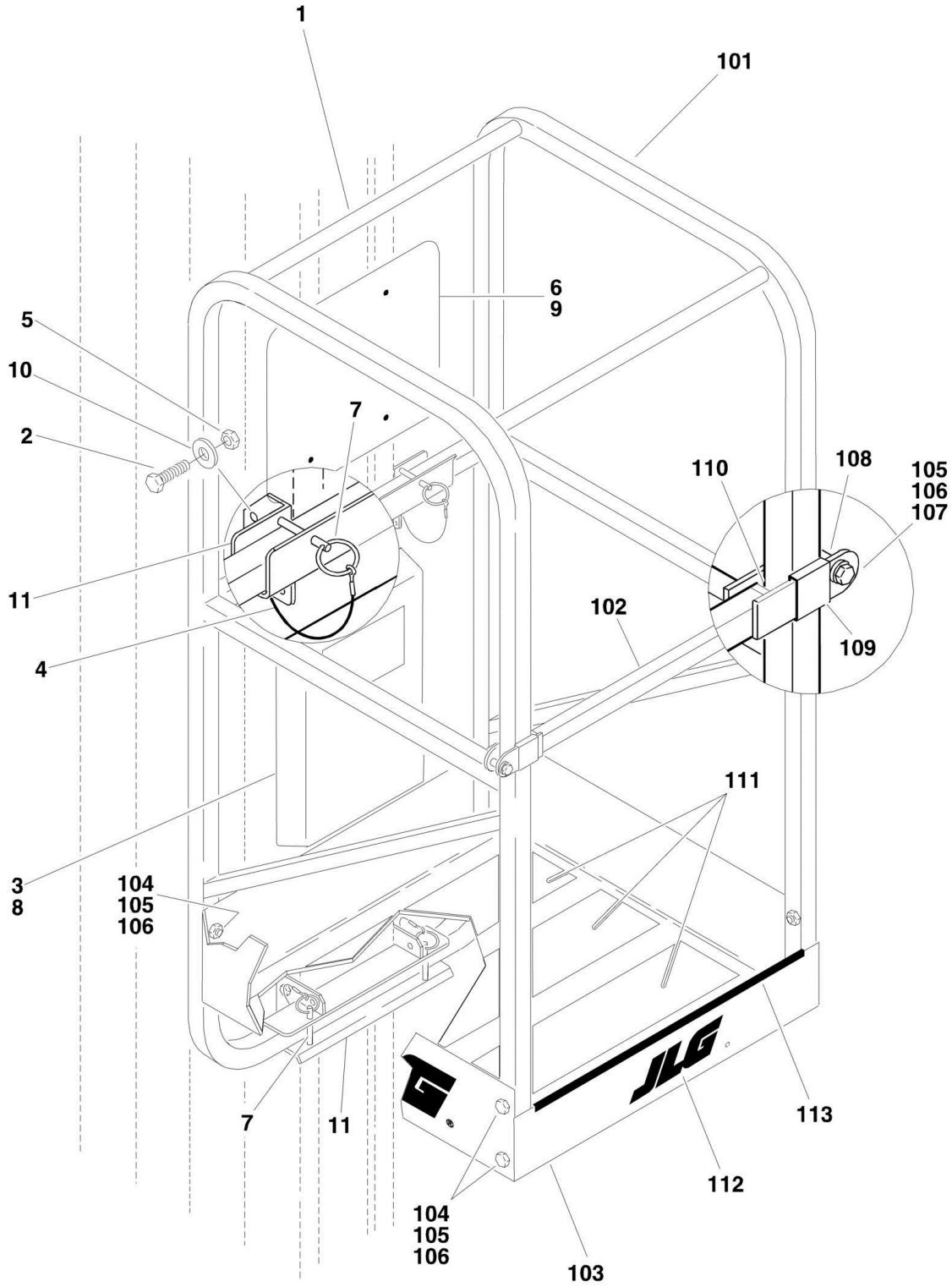
SECTION 3 - MAST

ITEM	PART NUMBER	QTY	DESCRIPTION	REV
401	0641612	4	Bolt 3/8in-16NC x 1 1/2in	B
402	1703455	1	Decal - Crane Hook	
403	3311605	4	Locknut 3/8in-16NC	
404	3570976	1	Plate, Crane Hook	
405	4711600	8	Flatwasher 3/8in Narrow	
	0271947	Ref	BEACON LIGHT INSTALLATION (OPTIONAL)	
501	0641607	2	Bolt 3/8in-16NC x 7/8in	
502	0902297	1	Bracket	
503	2920156	1	Light, Beacon	
503	Not Available	1	Bulb, Replacement	
504	3311605	2	Locknut 3/8in-16NC	
505	3820032	2	Rivet	
506	4240032	3	Tie-Strap	
507	4711600	4	Flatwasher 3/8in Narrow	

SECTION 4 - PLATFORM

SECTION 4 - PLATFORM

FIGURE 4-1. PLATFORM WITH FRONT SLIDE BAR ENTRY (DVL)



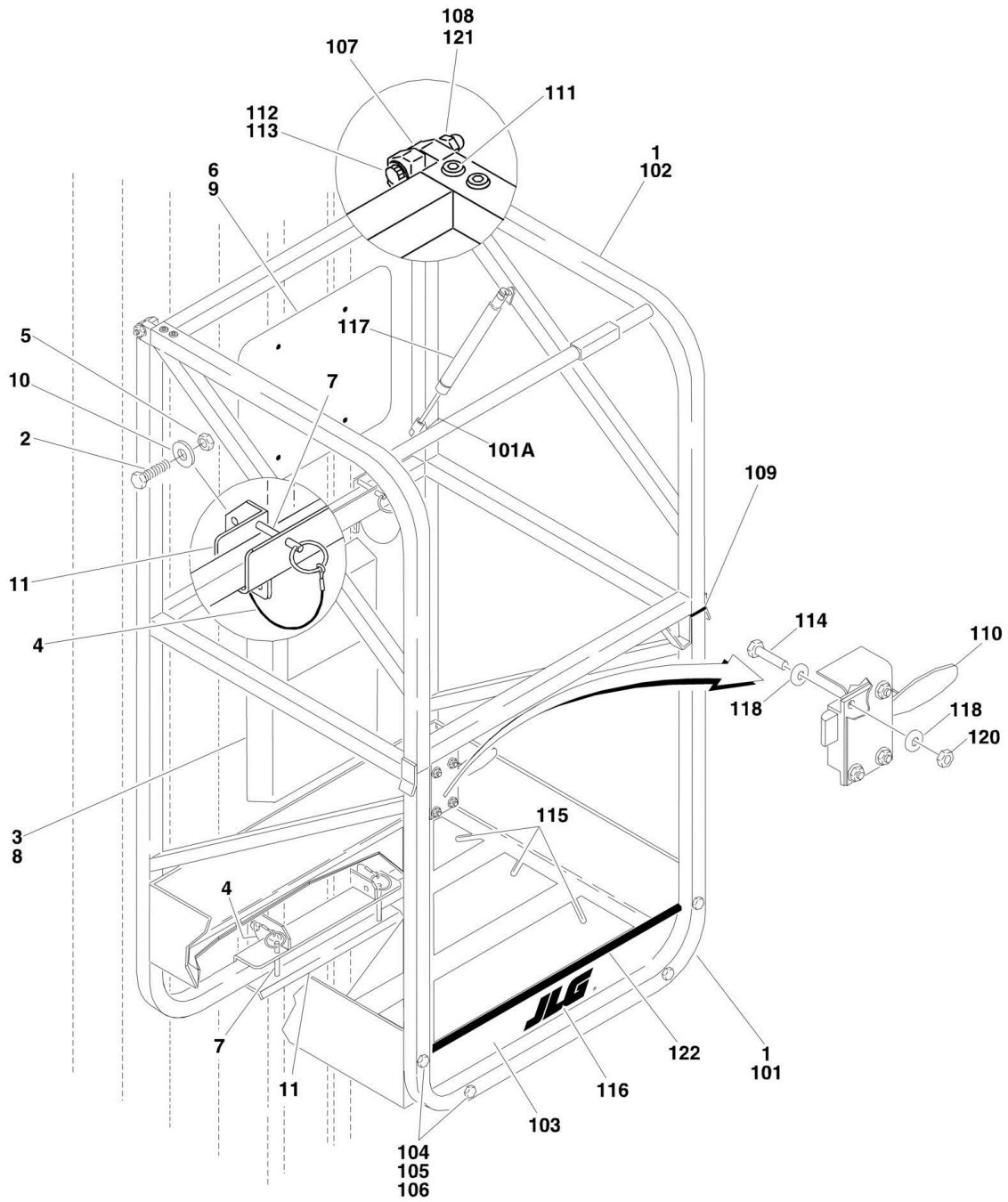
SECTION 4 - PLATFORM

FIGURE 4-1. PLATFORM WITH FRONT SLIDE BAR ENTRY (DVL)

ITEM	PART NUMBER	QTY	DESCRIPTION	REV
		Ref	PLATFORM INSTALLATION OPTIONS:	
	0271266	Ref	Platform Installation 20DVL with 26in x 26in (66cm x 66cm)	B
1	0257711	1	Platform Assembly (See Items 101-113 for Breakdown)	
2	0641408	8	Bolt 1/4in-20NC x 1in	
3	0860520	1	Box, Manual Storage	
4	1060380	4	Cable, Lanyard	
5	3311405	8	Locknut 1/4in-20NC	
6	3380466	1	Panel, Control	
7	3422657	4	Pin, Quick Release	
8	3820024	4	Rivet	
9	3820032	4	Rivet	
10	4711400	16	Flatwasher 1/4in Narrow	
11	4846021	2	Weldment, Platform Mount	
	0257711	Ref	PLATFORM ASSEMBLY (Note: Replacement Decals Must be Ordered Separately - See DECALS SECTION.)	6/D
101	4845577	1	Rail	
102	4845797	1	Weldment, Gate	
103	3570435	1	Plate, Platform Pan	
104	0641414	8	Bolt 1/4in-20NC x 1 3/4in	
105	4711400	20	Flatwasher 1/4in (Narrow)	
106	3311405	10	Locknut 1/4in-20NC	
107	0641418	2	Bolt 1/4in-20NC x 2 1/4in	
108	0961845	2	Bushing	
109	4280296	1.5 ft/ 0.5m	Tape	
110	3520169	2	Cap-Plug	
111	4420039	6 ft/1.8m	Tape, Non Skid	
112		Ref	Decal - JLG Options:	
112	1701612	3	Decal - JLG (Prior to SN 0130005035)	
112	1703681	3	Decal - JLG (SN 0130005035 to Present)	
113	4060803	2 ft/0.6m	Shield, Flex-Trim	

SECTION 4 - PLATFORM

FIGURE 4-2. PLATFORM WITH GULLWING GATE (DVL)



SECTION 4 - PLATFORM

FIGURE 4-2. PLATFORM WITH GULLWING GATE (DVL)

ITEM	PART NUMBER	QTY	DESCRIPTION	REV
		Ref	PLATFORM INSTALLATION OPTIONS:	
	0271268	Ref	Platform Installation 20DVL with 25in x 22in (63.5cm x 56cm)	B
	0271267	Ref	Platform Installation 20DVL with 26in x 28in (66cm x 71cm)	B
1		Ref	Platform Assembly (See Items 101-122 for Breakdown)	
1	0258587	1	25in X 22in (63.5cm x 56cm)	
1	0258588	1	26in X 28in (66cm x 71cm)	
2	0641408	8	Bolt 1/4in-20NC x 1in	
3	0860520	1	Box, Manual Storage	
4	1060380	4	Cable, Lanyard	
5	3311405	8	Locknut 1/4in-20NC	
6	3380466	1	Panel, Control	
7	3422657	4	Pin, Quick Release	
8	3820024	4	Rivet	
9	3820032	4	Rivet	
10	4711400	16	Flatwasher 1/4in Narrow	
11	4846021	2	Weldment, Platform Mount	
		Ref	PLATFORM ASSEMBLY	
	0258587	Ref	25in X 22in (63.5cm x 56cm)	4/D
	0258588	Ref	26in X 28in (66cm x 71cm) (Note: Replacement Decals Must be Ordered Separately - See DECALS SECTION.)	5/D
101		Ref	Weldment, Platform Rail Options:	
101	4845809	1	25in X 22in (63.5cm x 56cm)	
101	4845808	1	26in X 28in (66cm x 71cm)	
101A	0902877	1	Bracket, Gas Shock Mount	
102		Ref	Weldment, Gullwing Gate Options:	
102	4845805	1	25in X 22in (63.5cm x 56cm)	
102	4845813	1	26in X 28in (66cm x 71cm)	
103		Ref	Plate, Platform Pan Options:	
103	3570464	1	25in X 22in (63.5cm x 56cm)	
103	3570462	1	26in X 28in (66cm x 71cm)	
104	0641414	8	Bolt 1/4in-20NC x 1 3/4in	
105	4711400	16	Flatwasher 1/4in (Narrow)	
106	3311405	8	Locknut 1/4in-20NC	
107	2600225	4	Hinge, Gate	
108	3311505	2	Locknut 5/16in-18NC	
109	3520072	4	Cap-Plug	
110	2940074	1	Latch	
111	3900258	8	Screw, Button Head 1/4in-20NC x 3/4in	
112	3900032	2	Bolt, Shoulder	
113	4711600	AR	Flatwasher 3/8in (Narrow)	
114	0721006	4	Bolt 1/4in-20NC x 3/4in	
115	4420039	AR	Tape, Non Skid	
116		Ref	Decal - JLG Options:	
116	1701612	3	Decal - JLG (Prior to SN 0130005035)	
116	1703681	3	Decal - JLG (SN 0130005035 to Present)	
117	4160165	1	Spring, Gas Shock	
118	4751000	8	Flatwasher #10	
120	3311005	4	Locknut #10-24NC	
121	3300356	2	Nut, Acorn 5/16in-18NC	
122	4060803	AR	Shield, Flex-Trim	

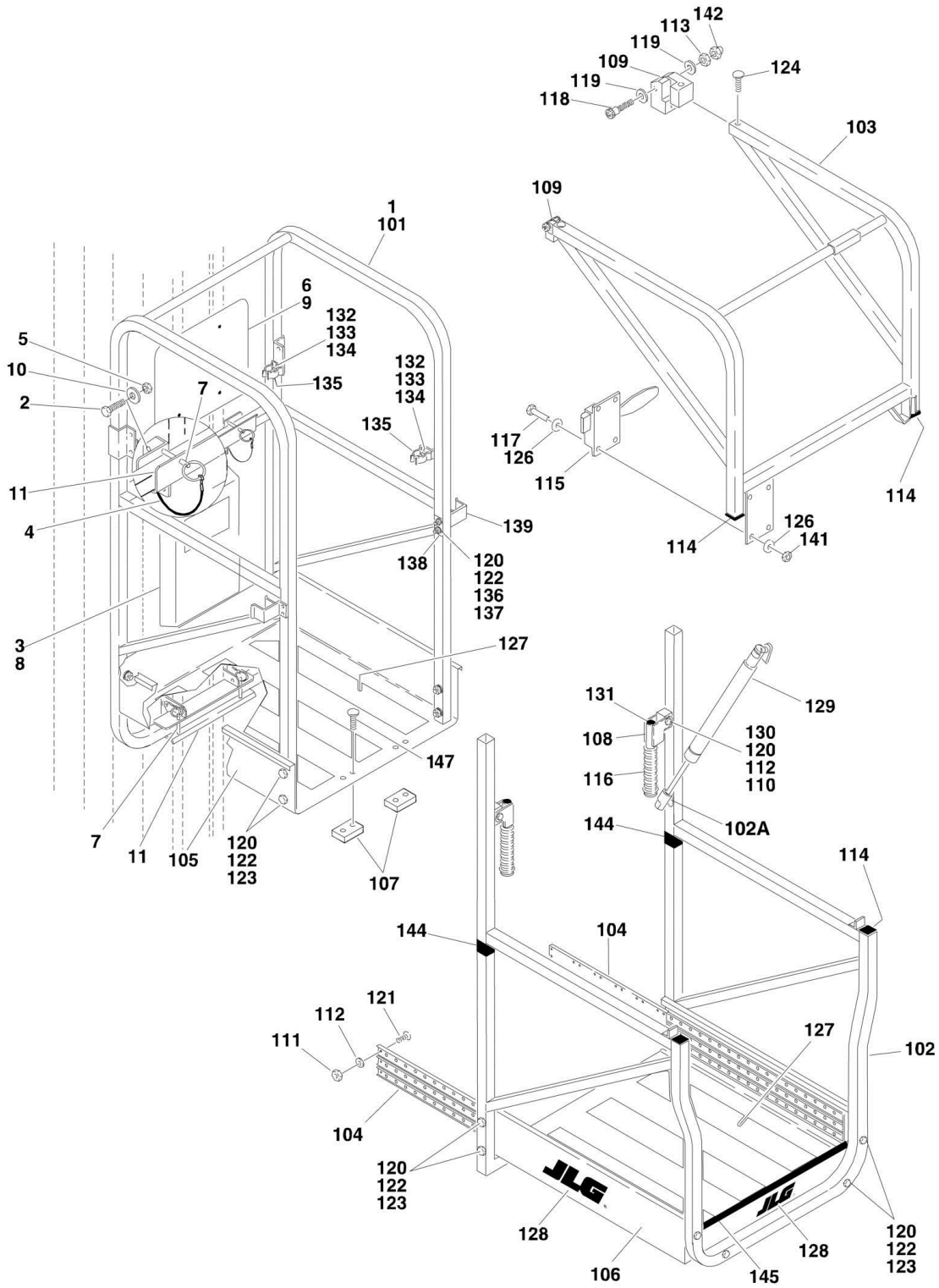
SECTION 4 - PLATFORM

FIGURE 4-3. PLATFORM WITH MOLDED SIDES (DVL AND DVSP)

ITEM	PART NUMBER	QTY	DESCRIPTION	REV
		Ref	PLATFORM INSTALLATION OPTIONS:	
	0271269	Ref	25in x 26in (63.5cm x 66cm)	B
1	0258672	1	Platform Assembly (See Items 101-134 for Breakdown)	
2	0641408	8	Bolt 1/4in-20NC x 1in	
3	0860520	1	Box, Manual Storage	
4	1060380	4	Cable, Lanyard	
5	3311405	8	Locknut 1/4in-20NC	
6	3380466	1	Panel, Control	
7	3422657	4	Pin, Quick Release	
8	3820024	4	Rivet	
9	3820032	4	Rivet	
10	4711400	16	Flatwasher 1/4in Narrow	
11	4845821	2	Weldment, Platform Mount	
	0258672	Ref	PLATFORM ASSEMBLY (Note: Replacement Decals Must be Ordered Separately - See DECALS SECTION.)	3/B
101	4845822	1	Rail	
102	3510676	1	Basket	
103	4060882	1	Cover	
104	4845831	1	Weldment, Bottom Mount	
105	0641416	10	Bolt 1/4in-20NC x 2in	
106	4751400	22	Flatwasher 1/4in	
107	3520072	4	Cap	
108	3311405	12	Locknut 1/4in-20NC	
109	4160125	1	Spring, Gas	
110	0362347	1	Link, Gate	
111	3640924	1	Rail, Gate (Top)	
112	3640990	1	Rail, Gate (Bottom)	
113	4711500	1	Flatwasher 5/16in	
114	3311505	1	Locknut 5/16in-18NC	
115	3340746	1	Pad, Gate Rest	
116	3911032	4	Screw, Machine #10-24NC x 2in	
117	4751000	8	Flatwasher #10	
118	4060804	2 ft/0.6m	Flex-Trim	
119	3311001	4	Nut #10-24NC	
120	4070890	2	Shim, Gate Stop	
121	3340754	1	Pad, Gate Latch	
122	3900177	6	Screw, Plastite	
123	3900202	2	Bolt, Shoulder	
124	4740429	4	Washer, Nylon	
125	3311005	2	Locknut #10-24NC	
126	3900203	2	Bolt, Shoulder	
127	4740428	4	Washer, Nylon	
128	3300151	2	Nut, Acorn 1/4in-20NC	
129	0100011	AR	Loctite #242 (Not Shown)	
130	2940082	1	Latch, Gate	
131	3520028	5	Plug	
133	3820024	2	Rivet	
134	4070894	1	Shim, Gate Latch	

SECTION 4 - PLATFORM

FIGURE 4-4. PLATFORM WITH ROLLING EXTENSION (DVL AND DVSP)



SECTION 4 - PLATFORM

FIGURE 4-4. PLATFORM WITH ROLLING EXTENSION (DVL AND DVSP)

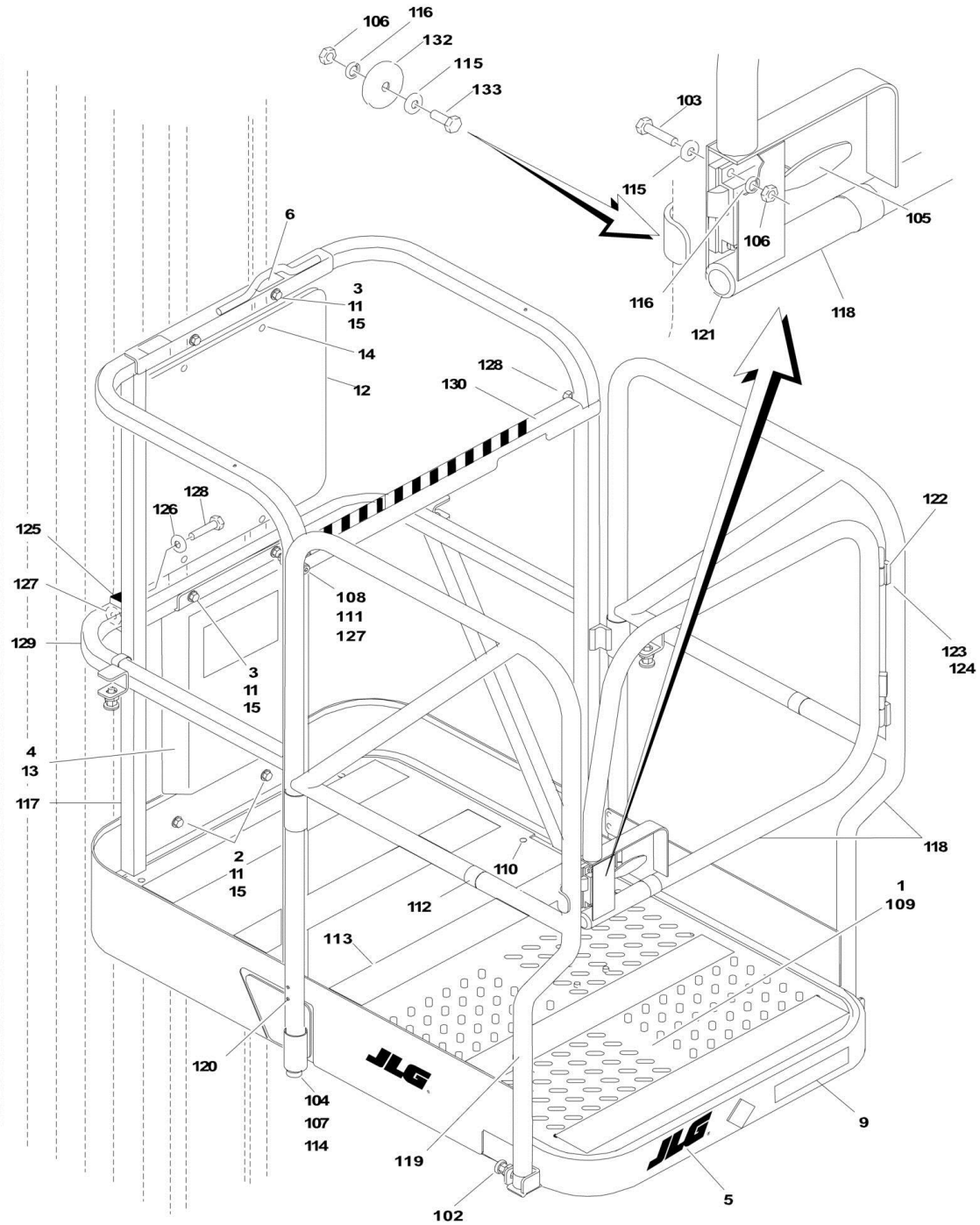
ITEM	PART NUMBER	QTY	DESCRIPTION	REV
		Ref	PLATFORM INSTALLATION OPTIONS:	
	0271270	Ref	26in x 50in (66cm x 127cm)	B
1	0258586	1	Platform Assembly (See Items 101-147 for Breakdown)	
2	0641408	8	Bolt 1/4in-20NC x 1in	
3	0860520	1	Box, Manual Storage	
4	1060380	4	Cable, Lanyard	
5	3311405	8	Locknut 1/4in-20NC	
6	3380466	1	Panel, Control	
7	3422657	4	Pin, Quick Release	
8	3820024	4	Rivet	
9	3820032	4	Rivet	
10	4711400	16	Flatwasher 1/4in Narrow	
11	4846021	2	Weldment, Platform Mount	
	0258586	Ref	PLATFORM ASSEMBLY (Note: Replacement Decals Must be Ordered Separately - See DECALS SECTION.)	7/G
101	4845810	1	Weldment, Platform Rail (Stationary)	
102	4845811	1	Weldment, Platform Rail (Extension)	
102A	0902877	1	Bracket, Gas Shock Mount	
103	4845812	1	Weldment, Gate	
104	2020005	1 Pair	Glides, Extension	
105	3570362	1	Pan, Floor (Stationary)	
106	3570274	1	Pan, Floor (Extension)	
107	3340829	2	Pad, Slide	
108	4845614	2	Handle	
109	2600225	4	Hinge, Gate	
110	3900200	2	Bolt, Shoulder	
111	3311005	64	Locknut #10-24NC	
112	4751000	66	Flatwasher #10	
113	3311505	2	Locknut 5/16in-18NC	
114	3520072	4	Cap-Plug	
115	2940074	1	Latch	
116	2560154	2	Grip, Handle	
117	0721006	4	Bolt #10-24NC x 3/4in	
118	3900032	2	Bolt, Shoulder	
119	4711600	AR	Flatwasher 3/8in (Narrow)	
120	3311405	22	Locknut 1/4in-20NC	
121	3900252	64	Screw, Button Head 1/4in-20NC	
122	4711400	40	Flatwasher 1/4in (Narrow)	
123	0641414	16	Bolt 1/4in-20NC x 1 3/4in	
124	3900258	8	Screw, Button Head 1/4in-20NC x 3/4in	
125	0100011	AR	Loctite #242 (Not Shown)	
126	4751000	8	Flatwasher #10	
127	4420039	11 ft/3.4m	Tape, Non Skid	
128	1703681	3	Decal - JLG	
129	4160165	1	Spring, Gas Shock	
130	4711500	4	Flatwasher 5/16in (Narrow)	
131	3520030	2	Plug, Hole	
132	0720805	4	Screw #8-32NC x 5/8in	
133	4750800	8	Flatwasher #8	
134	3310805	4	Locknut #8-32NC	

SECTION 4 - PLATFORM

ITEM	PART NUMBER	QTY	DESCRIPTION	REV
135	1380132	4	Clip, Gripper	
136	0641416	4	Bolt 1/4in-20NC x 2in	
137	3570653	2	Plate, Shim	
138	3570654	2	Plate, Backing	
139	4845657	2	Weldment, Stop	
141	3311005	4	Locknut #10-24NC	
142	3300356	2	Nut, Acorn 5/16in-18NC	
144	4280296	10 in/ 25cm	Strip, Wear	
145	4060803	4.3 ft/ 1.3m	Shield, Flex-Trim	
147	3900251	4	Screw, Button Head 1/4in-20NC x 3/8in (SN 0130006093 to Present)	

SECTION 4 - PLATFORM

FIGURE 4-5. PLATFORM WITH FIXED SIDE RAILS (DVSP)



SECTION 4 - PLATFORM

FIGURE 4-5. PLATFORM WITH FIXED SIDE RAILS (DVSP)

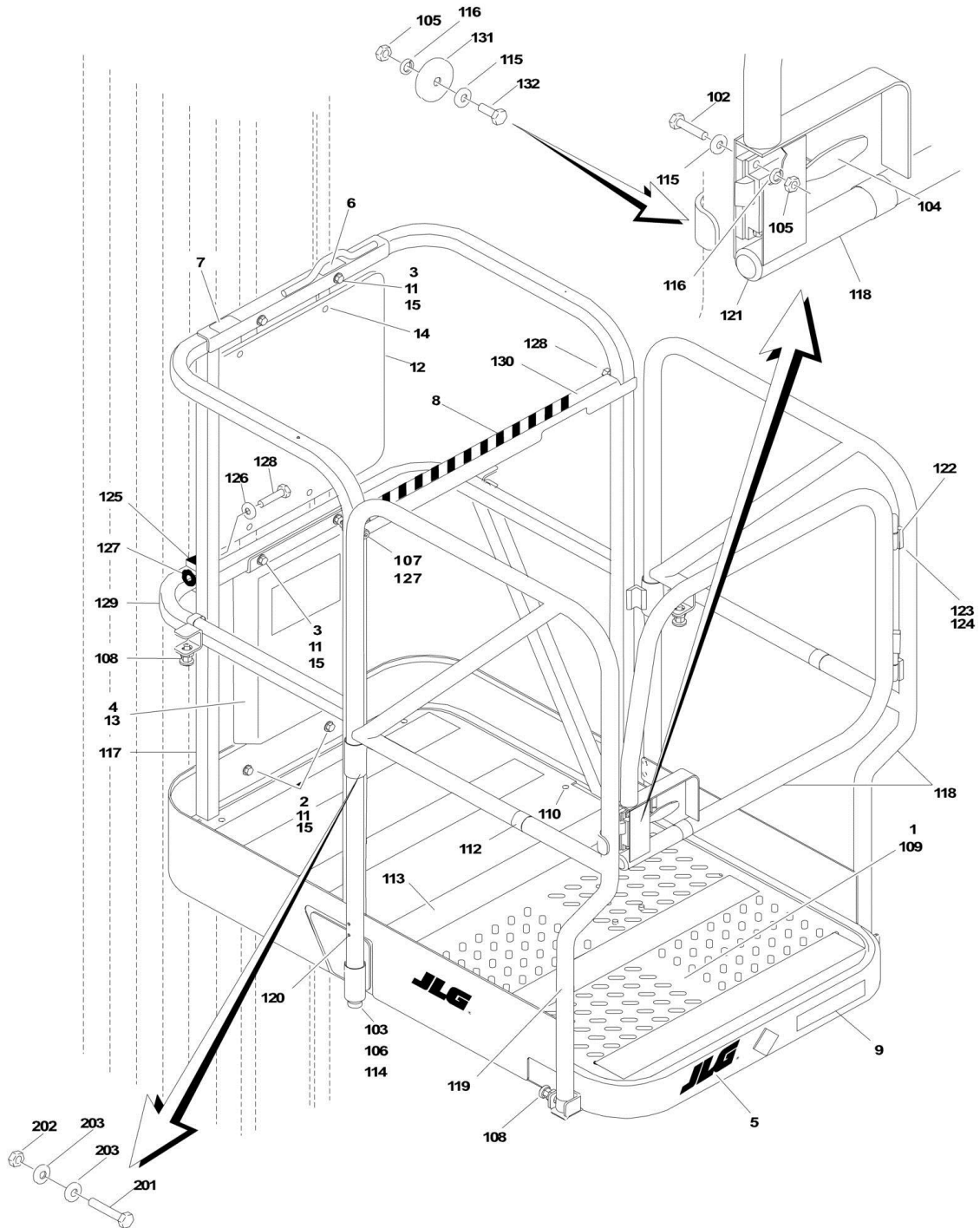
ITEM	PART NUMBER	QTY	DESCRIPTION	REV
		Ref	PLATFORM INSTALLATION OPTIONS:	
	0271272	Ref	Platform Installation 15DVSP with 28in x 48in (71cm x 122cm)	D
	0273397	Ref	Platform Installation 20DVSP with 28in x 48in (71cm x 122cm)	A
1	0271936	1	Platform Assembly (See Items 101-133 for Breakdown)	
2	0641616	2	Bolt 3/8-16NC x 2in	
3	0641620	4	Bolt 3/8-16NC x 2 1/2in	
4	0860520	1	Box, Manual Storage	
5	1703681	AR	Decal - JLG	
6	1704277	1	Decal - Lanyard Graphic	
9		Ref	Decal, Model Options:	
9	1705018	1	Decal, Model 15DVSP	
9	1705703	1	Decal, Model 20DVSP	
10	1705060	2	Decal - Axxessor (Not Shown)	
11	3311605	6	Locknut 3/8in-16NC	
12	3380466	1	Panel, Control	
13	3820024	4	Rivet	
14	3820032	4	Rivet	
15	4711600	12	Flatwasher 3/8in Narrow	
	0271936	Ref	PLATFORM ASSEMBLY (Note: Replacement Decals Must be Ordered Separately - See DECALS SECTION.)	H
101	0100011	AR	Loctite #242 (Not Shown)	
102	0630572	2	Bolt 5/8in-18NC	
103	0721008	4	Screw	
104	0940049	2	Stopper, Hood	
105	2940074	1	Latch	
106	3311001	5	Nut #10-24NC	
107		Ref	Nut Options:	
107	3311501	4	Nut 5/16in-18NC (Prior to SN 0130006232)	
107	3311502	2	Jam Nut 5/16in-18NC (SN 0130006232 to Present)	
108	3311605	1	Locknut 3/8in-16NC	
109	3571552	1	Pan, Platform Floor	
110	3820032	12	Rivet	
111	3422744	1	Pin, Plunger	
112	4280296	AR	Strip, Wear Options:	
112	4280296	6 in/ 15.3cm	Strip, Wear (Prior to SN 0130007616)	
112	4280296	2 ft/0.7m	Strip, Wear (SN 0130007616 to Present)	
113	4420039	AR	Tape, Non Skid Options:	
113	4420039	8.5 ft/2.6m	Tape, Non Skid (Prior to SN 0130007616)	
113	4420039	9.3 ft/ 2.8m	Tape, Non Skid (SN 0130007616 to Present)	
114	4751500	4	Flatwasher 5/16in Wide (Prior to SN 0130006232)	
115	4751000	5	Flatwasher #10 Wide	
116	4761000	5	Lockwasher #10	
117	4846521	1	Platform	
118	4846324	1	Rail	
119	4846325	1	Rail	
120	2080040	4	Fastener, Huck	
121	3520176	1	Plug	

SECTION 4 - PLATFORM

ITEM	PART NUMBER	QTY	DESCRIPTION	REV
122	0962337	2	Bushing, Hinge	
123	3422866	2	Pin, Hinge	
124	3760448	2	Ring, Snap	
125	3520072	2	Plug, Cap	
126	4711800	2	Flatwasher 1/2in Narrow	
127	4711600	2	Flatwasher 3/8in Narrow	
128	3900270	2	Bolt, Shoulder 1/2in-16NC x 1/2in	
129	4846522	1	Gate	
130	4846536	1	Rail, Top	
131	0100019	AR	Loctite #271 (Not Shown)	
132	3080005	1	Magnet, Gate Hold (SN 0130004332 to Present)	
133	0721004	1	Bolt #10-24NC x 1/2in (SN 0130004332 to Present)	

SECTION 4 - PLATFORM

FIGURE 4-6. PLATFORM WITH FOLDING SIDE RAILS (DVSP)



SECTION 4 - PLATFORM

FIGURE 4-6. PLATFORM WITH FOLDING SIDE RAILS (DVSP)

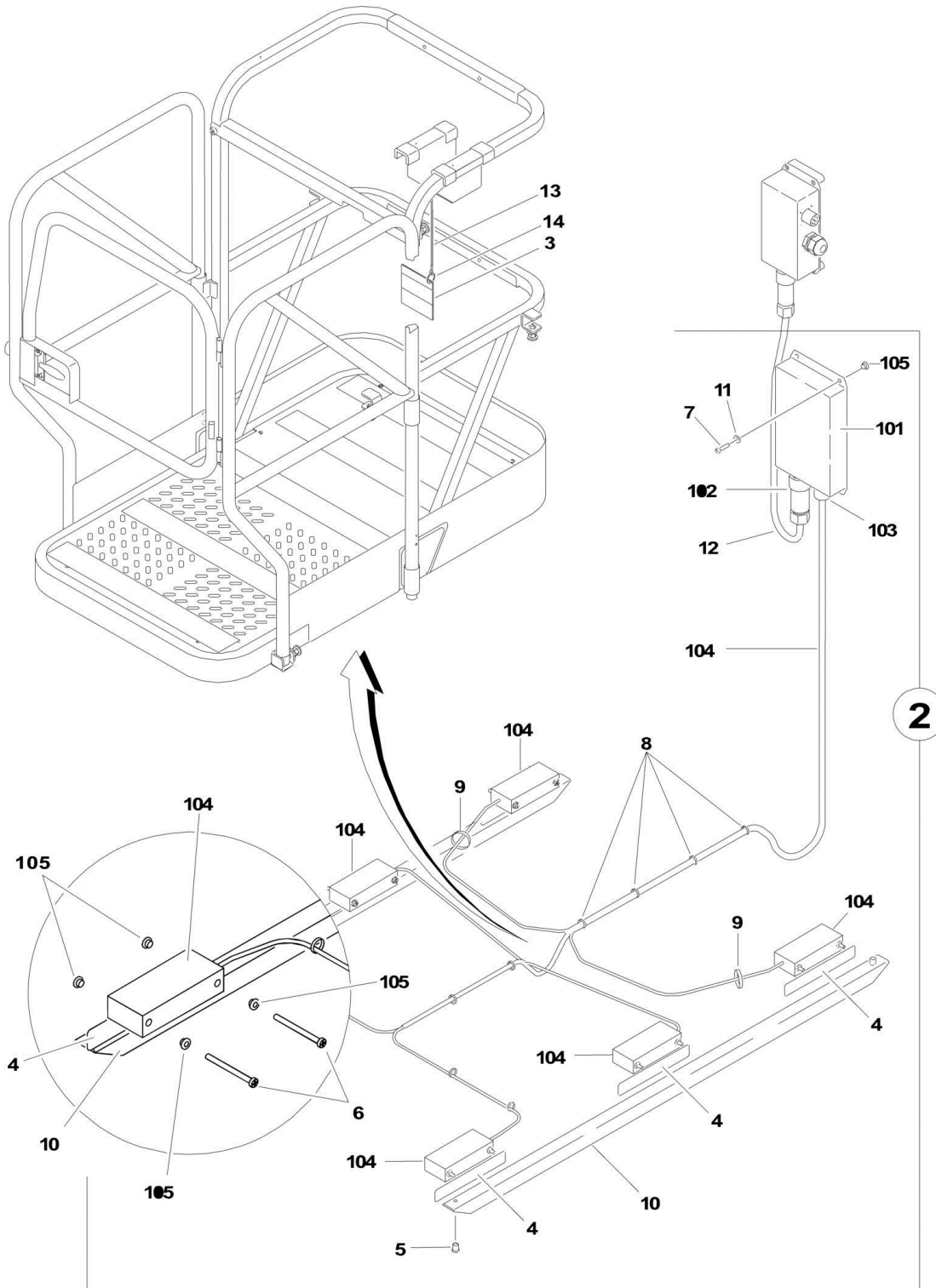
ITEM	PART NUMBER	QTY	DESCRIPTION	REV
		Ref	PLATFORM INSTALLATION OPTIONS:	
	0271271	Ref	Platform Installation 15DVSP with 28in x 48in (71cm x 122cm)	D
	0273396	Ref	Platform Installation 20DVSP with 28in x 48in (71cm x 122cm)	A
1	0271823	1	Platform Assembly (See Items 101-132 for Breakdown)	
2	0641616	2	Bolt 3/8in-16NC x 2in	
3	0641620	4	Bolt 3/8in-16NC x 2 1/2in	
4	0860520	1	Box, Manual Storage	
5	1703681	AR	Decal - JLG	
6	1704277	1	Decal - Lanyard Graphic	
9		Ref	Decal, Model Options:	
9	1705018	1	Decal, Model 15DVSP	
9	1705703	1	Decal, Model 20DVSP	
10	1705060	2	Decal - Axxessor (Not Shown)	
11	3311605	6	Locknut 3/8in-16NC	
12	3380466	1	Panel, Control	
13	3820024	4	Rivet	
14	3820032	4	Rivet	
15	4711600	12	Flatwasher 3/8in Narrow	
	0271823	Ref	PLATFORM ASSEMBLY (Note: Replacement Decals Must be Ordered Separately - See DECALS SECTION.)	G
101	0100011	AR	Loctite #242 (Not Shown)	
102	0721008	4	Screw	
103	0940049	2	Stopper, Hood	
104	2940074	1	Latch	
105	3311001	5	Nut #10-24NC	
106		Ref	Nut Options:	
106	3311501	4	Nut 5/16in-18NC (Prior to SN 0130006232)	
106	3311502	2	Jam Nut 5/16in-18NC (SN 0130006232 to Present)	
107	3311605	1	Locknut 3/8in-16NC	
108	3422744	6	Pin, Plunger	
109	3571552	1	Plate, Platform Pan	
110	3820032	12	Rivet	
112	4280296	AR	Strip, Wear Options:	
112	4280296	1.75 ft/ 0.5m	Strip, Wear (Prior to SN 0130007616)	
112	4280296	3.7 ft/ 1.1m	Strip, Wear (SN 0130007616 to Present)	
113	4420039	AR	Tape, Non Skid Options:	
113	4420039	8.5 ft/ 2.6m	Tape, Non Skid (Prior to SN 0130007616)	
113	4420039	9.3 ft/ 2.8m	Tape, Non Skid (SN 0130007616 to Present)	
114	4751500	4	Flatwasher 5/16in Wide (Prior to SN 0130006232)	
115	4751000	5	Flatwasher #10 Wide	
116	4761000	5	Lockwasher #10	
117	4846521	1	Platform	
118	4846324	1	Rail	
119	4846325	1	Rail	
120	2080040	4	Fastener, Huck	
121	3520176	1	Plug	
122	0962337	2	Bushing, Hinge	

SECTION 4 - PLATFORM

ITEM	PART NUMBER	QTY	DESCRIPTION	REV
123	3422866	2	Pin, Hinge	
124	3760448	2	Ring, Snap	
125	3520072	2	Plug, Cap	
126	4711800	2	Flatwasher 1/2in Narrow	
127	4711600	2	Flatwasher 3/8in Narrow	
128	3900270	2	Bolt, Shoulder 1/2in-16NC x 1/2in	
129	4846522	1	Gate	
130	4846536	1	Rail, Top	
131	3080005	1	Magnet, Gate Hold (SN 0130004332 to Present)	
132	0721004	1	Bolt #10-24NC x 1/2in (SN 0130004332 to Present)	
	0272524	Ref	ENTRY GATE LOCK INSTALLATION	B
201	0641418	1	Bolt 1/4in-20NC x 2 1/4in	
202	3311405	1	Locknut 1/4in-20NC	
203	4751400	2	Flatwasher 1/4in	

SECTION 4 - PLATFORM

FIGURE 4-7. OBSTRUCTION SENSOR INSTALLATION (DVSP) (OPTIONAL)



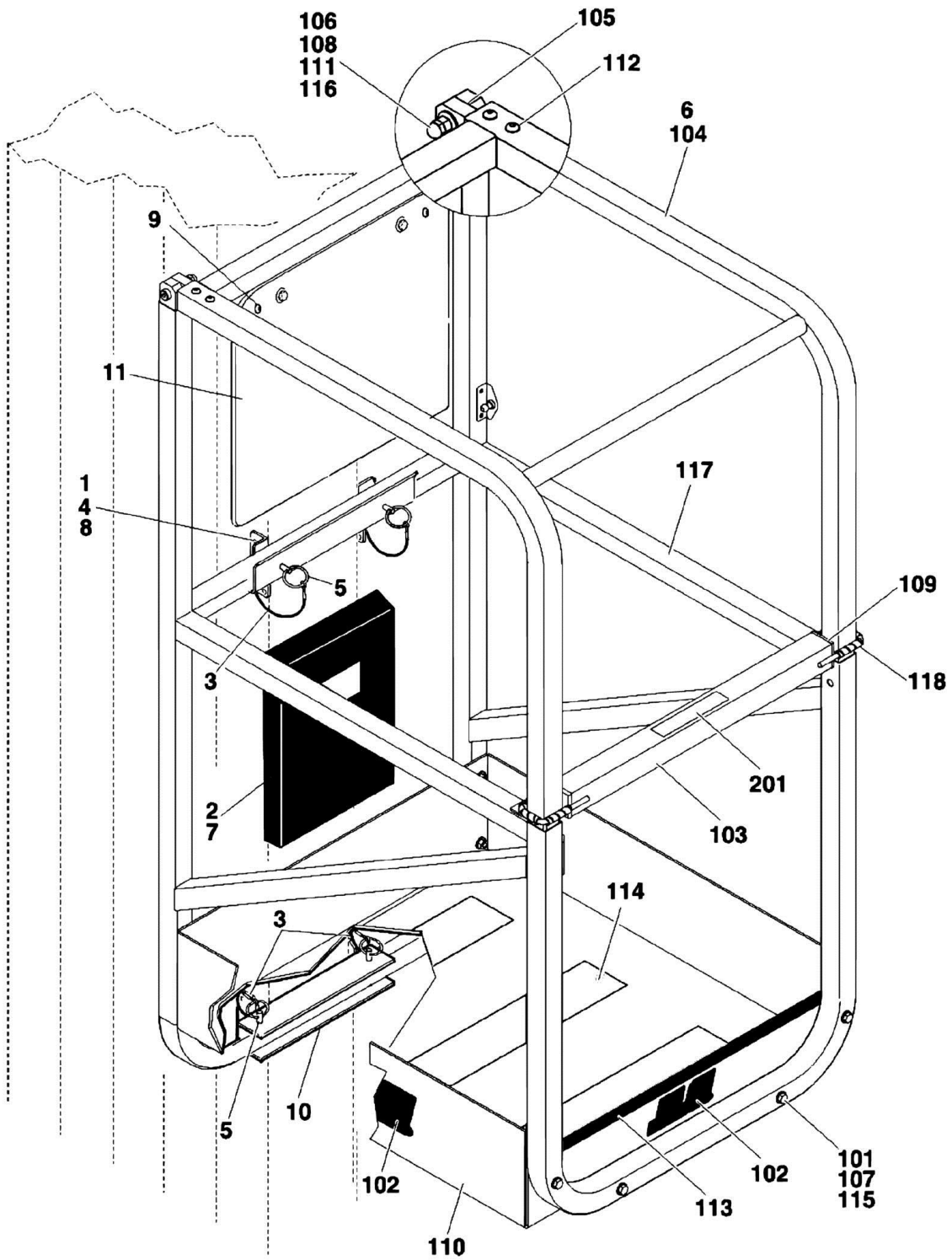
SECTION 4 - PLATFORM

FIGURE 4-7. OBSTRUCTION SENSOR INSTALLATION (DVSP) (OPTIONAL)

ITEM	PART NUMBER	QTY	DESCRIPTION	REV
	0271294	Ref	OBSTRUCTION SENSOR INSTALLATION	C
1	0100035	AR	Loctite #242 (Not Shown)	
2	1600309	1	Obstruction Sensor System (See Items 101 to 105 for Breakdown)	
3	1704483	1	Decal - Operation (Prior to SN 0130005067)	
4	1704905	6	Decal - No Pressure Wash	
5	3820032	4	Rivet	
6	3900309	12	Screw	
7	3930808	4	Capscrew #8-32NC x1/2in	
8	4240032	13	Tie-Strap 4in	
9	4240033	2	Tie-Strap 7in	
10	4568261	2	Tube, Shield	
11	4740120	4	Washer, Nylon	
12	4922670	1	Harness (See ELECTRICAL SECTION for Breakdown)	
13	1060380	1	Cable, Lanyard (SN 0130005482 to Present)	
14	3760170	1	Ring, Split (SN 0130005482 to Present)	
	1600309	Ref	OBSTRUCTION SENSOR SYSTEM	F
101	Not Available	1	Electronics Box	
102	Not Available	1	Connector, Female - 9 Position (Clipper CL1M2102)	
102	Not Available	9	Pin (Clipper CF16PC10RF)	
103	Not Available	1	Connector, Strain Relief	
104	2910760	6	Sensor and Cable (Was p/n 7024306)	
105	0962288	28	Bushing, Isolation	
		Ref	OSS INSTRUCTION CARD OPTIONS:	
	1704483	1	English Spec	
	1705579	1	French Spec	
	1705578	1	Spanish Spec	
	1705580	1	German Spec	
	1705581	1	Italian Spec	
	1705582	1	Dutch Spec	
	1705587	1	Finnish Spec	
	1705588	1	Swedish Spec	
	1705585	1	Japanese Spec	
	1705586	1	Chinese Spec	

SECTION 4 - PLATFORM

FIGURE 4-8. QUICK-CHANGE PLATFORM INSTALLATION WITH SLIDE BAR



SECTION 4 - PLATFORM

FIGURE 4-8. QUICK-CHANGE PLATFORM INSTALLATION WITH SLIDE BAR

ITEM	PART NUMBER	QTY	DESCRIPTION	REV
	0274342	Ref	PLATFORM INSTALLATION - 22in x 25in (56cm x 63.5cm)	A
1	0641408	8	Bolt, 1/4in-20NC x 1in	
2	0860520	1	Box, Manual Storage	
3	1060380	4	Cable, Lanyard	
4	3311405	8	Locknut, 1/4in-20NC	
5	3422657	4	Pin, Quick Release	
6	3510873	1	Assembly, Platform -22in x 25in (56cm x 63.5cm) (See Item 101 - 118 for Breakdown)	
7	3820024	4	Rivet	
8	4711400	16	Flatwasher 1/4in Narrow	
9	3820032	1	Rivet	
10	4846021	1	Platform Mount Weldment	
11	3380466	1	Panel, Control	
	3510873	Ref	PLATFORM ASSEMBLIES - 22in X 25in (56cm x 63.5cm) (Note: Replacement Decals Must be Ordered Separately - See DECALS SECTION for Breakdown.)	A
101	0641414	8	Bolt 1/4in-20NC x 1 3/4in	
102	1703681	3	Decal - JLG	
103	2410016	1	Gate, Slide Bar - 22in X 25in (56cm x 63.5cm)	
104	2410018	1	Gate, Slide Bar - 22in X 25in (56cm x 63.5cm)	
105	2600225	4	Hinge, Gate	
106	3300356	2	Nut-Acorn 5/16in-18NC	
107	3311405	8	Locknut 1/4in-20NC	
108	3311505	2	Locknut 5/16in-18NC	
109	3520169	2	Cap, Plug	
110	3570464	1	Plate, Platform Pan - 22in X 25in (56cm x 63.5cm)	
111	3900032	2	Bolt, Shoulder	
112	3900258	8	Screw, Button Head 1/4in-20NC x 3/4in	
113	4060803	AR	Shield, Flex Trim	
114	4420039	3.75 ft/ 1.1m	Tape, Non-Skid - 22in X 25in (56cm x 63.5cm)	
115	4711400	16	Flatwasher 1/4in	
116	4711600	2	Flatwasher 3/8in	
117	4845809	1	Platform Rail Weldment - 22in X 25in (56cm x 63.5cm)	
118	1560019	1 ft/0.3m	Conduit, Spiral Loom	
		Ref	DECAL - DROPBAR INSTALLATION OPTIONS:	
	0274606	Ref	Australian Spec	A
	0274607	Ref	CE Spec	A
201		Ref	Decal - Dropbar Options:	
201	1706385	1	Australian Spec	
201	1706493	1	CE Spec	

SECTION 4 - PLATFORM

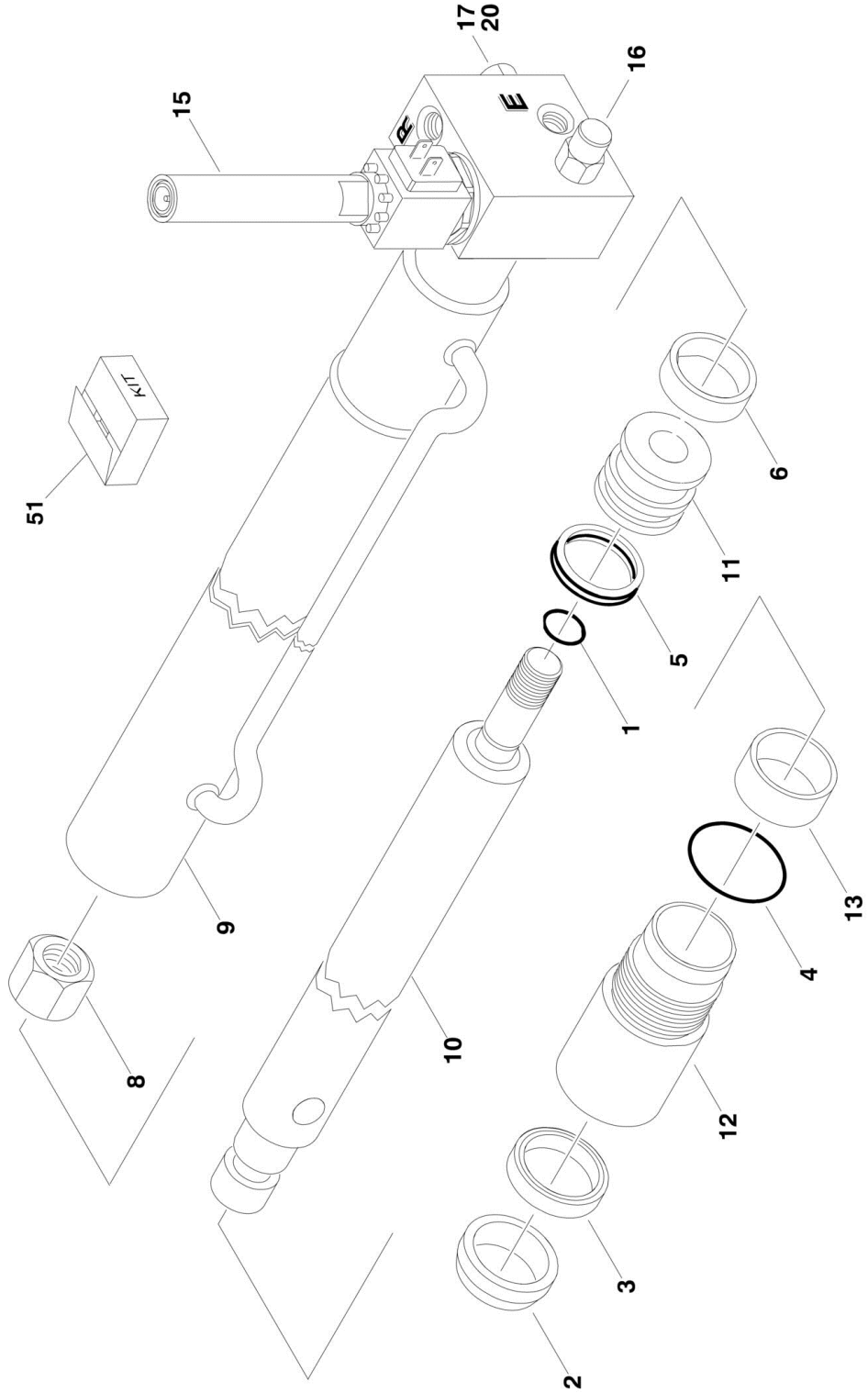
FIGURE 4-9. PLATFORM/SIDE ENTRY WITH MATERIAL TRAY (20DVL)

ITEM	PART NUMBER	QTY	DESCRIPTION	REV
		Ref	PLATFORM INSTALLATION OPTIONS:	
	0274275	Ref	20DVL with 27in x 23in (69cm x 59cm) (UPS Option)	A
1	0272716	1	Platform Assembly (UPS) (See Items 101-116 for Breakdown)	
2	0791620	6	Bolt, 3/8in-16NC x 2 1/2in	
3	3311608	6	Nut, 3/8in - 16NC	
4	0860520	1	Box, Manual Storage	
5	3380466	1	Panel, Control	
6	3574442	2	Plate	
7	3820024	4	Rivet	
8	3820032	4	Rivet	
9	2080040	7	Fastener	
10	3574608	1	Plate, Kick Rail	
	0272716	Ref	PLATFORM ASSEMBLY (Note: Replacement Decals Must be Ordered Separately - See DECALS SECTION for Breakdown.)	D
101	0100011	AR	Loctite #242 (Not Shown)	
102	0641508	2	Bolt, 5/16in-18NC x 1in	
103	0940104	2	Bumper, 1in x 3/8in with 5/16in x 1in stud (Prior to SN 0130006483)	
104	1580019	1	Container, Material Tray	
105	2080040	39	Blind Fastener	
106	2600281	4	Hinge, Self Closing	
107	3311501	4	Nut, 5/16in-18NC	
108	3340977	1	Pad, Upholstered	
109	3520072	8	Plug-Spec, Cap	
110	4420051	14 in	Tape, Safety	
111	4751500	2	Flatwasher 5/16in Wide	
112	4846722	2	Weldment, Door	
113	4846864	1	Weldment, Platform	
114	0641422	4	Bolt, 1/4in-20NC x 2 3/4in	
115	4071092	AR	Shim (Not Shown)	
116	4220225	4	Stop	

SECTION 5 - CYLINDER

SECTION 5 - CYLINDER

FIGURE 5-1. LIFT CYLINDER ASSEMBLY



SECTION 5 - CYLINDER

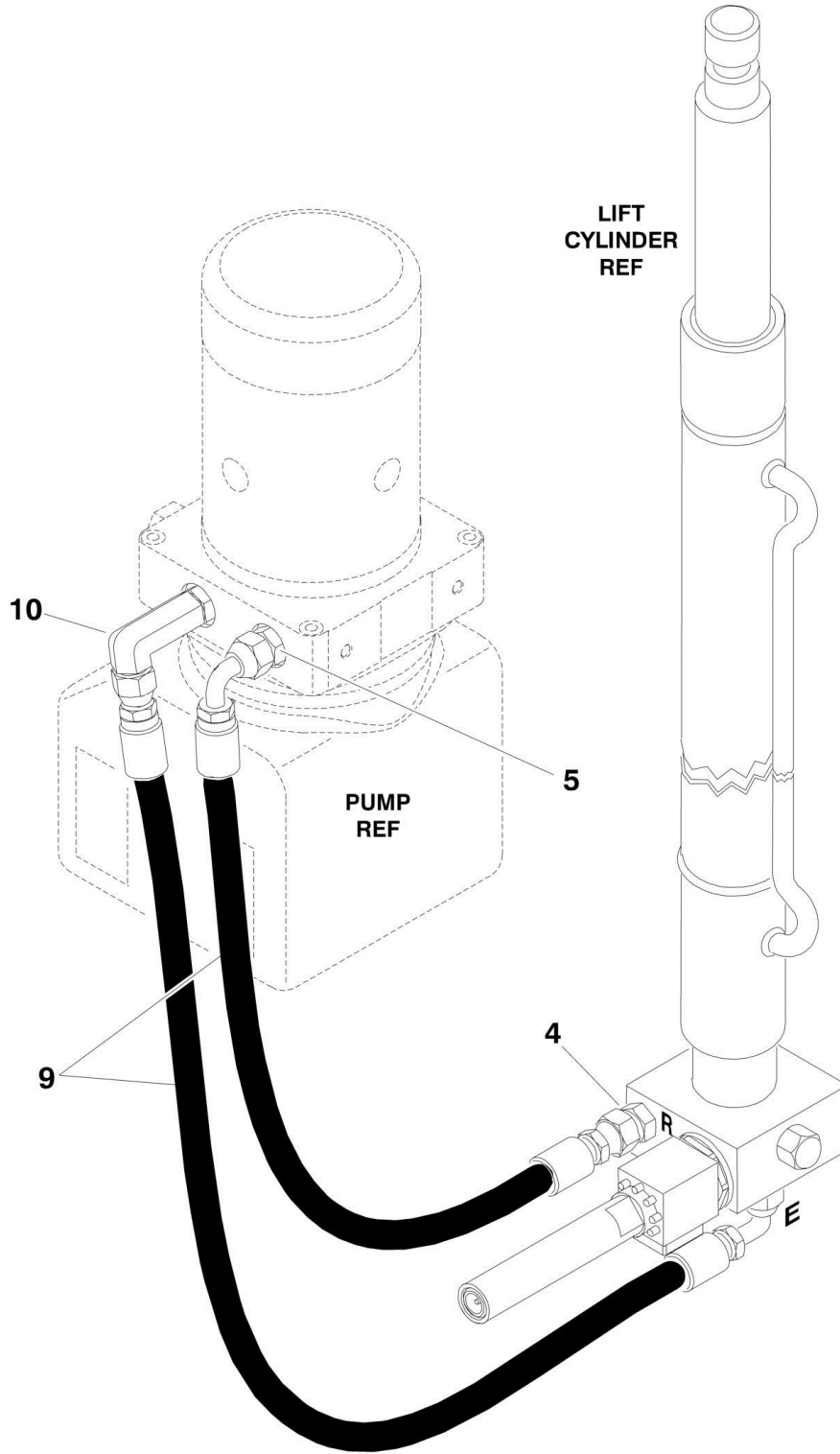
FIGURE 5-1. LIFT CYLINDER ASSEMBLY

ITEM	PART NUMBER	QTY	DESCRIPTION	REV
		Ref	LIFT CYLINDER ASSEMBLIES OPTIONS:	
		Ref	Lift Cylinder Assemblies 15DVL/15DVSP	
	1684143	Ref	Lift Cylinder Assemblies (Prior to SN 0130004516)	D
	1684234	Ref	Lift Cylinder Assemblies (SN 0130004516 to Present)	D
		Ref	Lift Cylinder Assemblies 20DVL/20DVSP	
	1684144	Ref	Lift Cylinder Assemblies (Prior to SN 0130004516)	D
	1684233	Ref	Lift Cylinder Assemblies (SN 0130004516 to Present)	D
1	See Note	NSS	O-Ring (Note: Use Item 51)	
2	See Note	NSS	Wiper (Note: Use Item 51)	
3	See Note	NSS	Seal, Rod (Note: Use Item 51)	
4	See Note	NSS	O-Ring (Note: Use Item 51)	
5	See Note	NSS	Seal, Piston (Note: Use Item 51)	
6	See Note	NSS	Ring, Wear (Note: Use Item 51)	
8	7023391	1	Locknut	
9	7023490	NLA	Barrel Assembly (Purchase Complete Cylinder Assembly)	
10	7023491	1	Rod	
11	7023392	1	Piston	
12	7023394	1	Head	
13		Ref	Spacer	
13	7023492	1	Spacer 15DVL/15DVSP	
13	Not Required	0	Spacer 20DVL/20DVSP	
15		Ref	Valve, Options:	
15	7024405	1	Poppet (Prior to SN 0130004516)	
15	7024818	1	Coil	
15	7024819	1	Seal Kit	
15	7024820	1	Over Ride	
15	7024833	1	Manual Override Cartridge	
15	7024480	1	Proportional (SN 0130004516 to Present)	
15	7026622	1	Coil	
15	7026623	1	Seal Kit	
15	7026624	1	Over Ride	
15	7026625	1	Manual Override Cartridge	
16	7024406	1	Valve, Check	
17	7024407	1	Valve, Control	
18	2220883	1	Plug, Male (Not Shown)	
19	Not Serviced	2	Plug, Valve (Not Shown)	
20	Not Serviced	1	Plug, Valve	
51	7023395	1	Seal Kit (Includes Items 1-6)	

SECTION 6 - HYDRAULIC

SECTION 6 - HYDRAULIC

FIGURE 6-1. HYDRAULIC DIAGRAM



SECTION 6 - HYDRAULIC

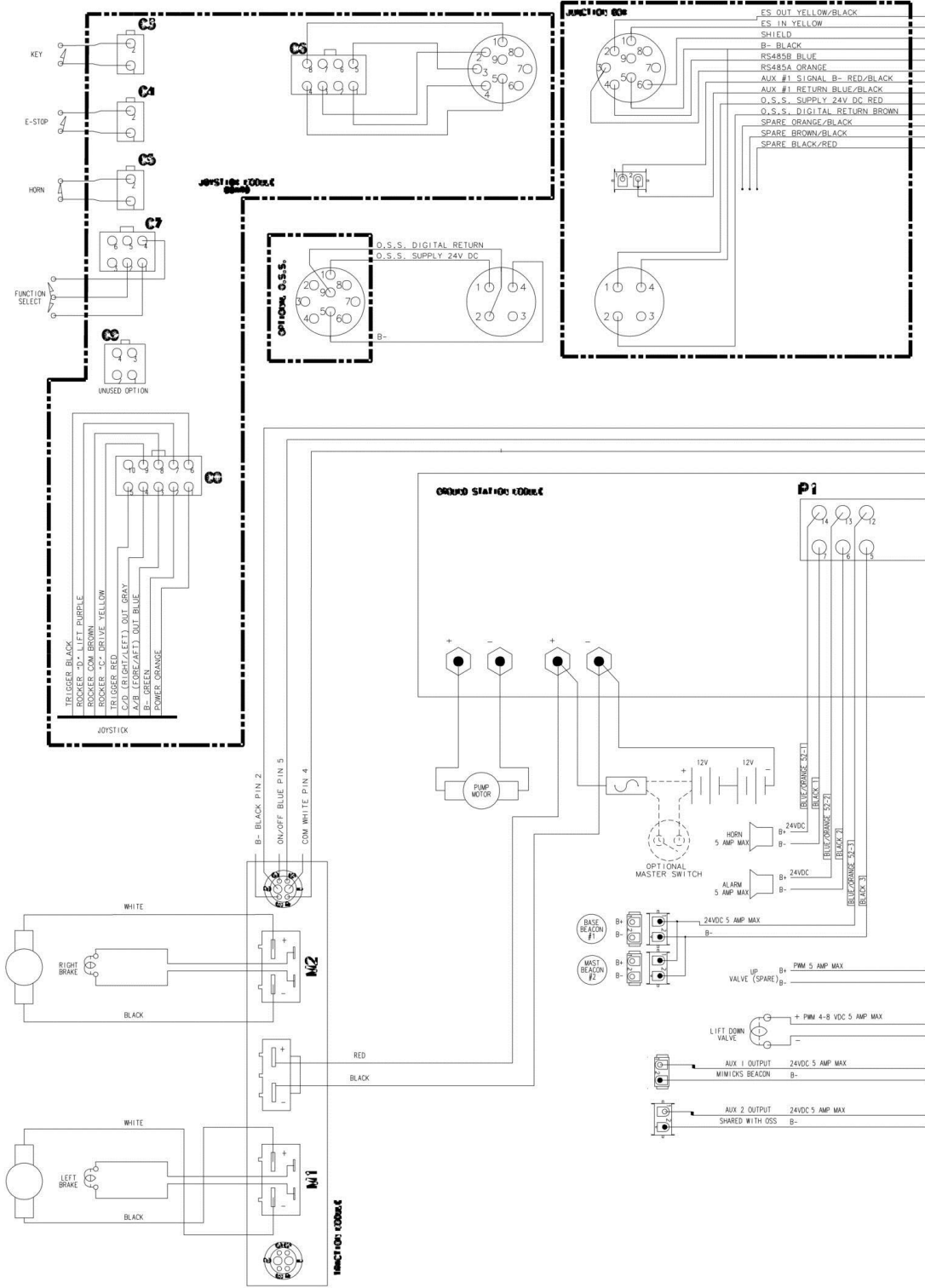
FIGURE 6-1. HYDRAULIC DIAGRAM

ITEM	PART NUMBER	QTY	DESCRIPTION	REV
	0271261	Ref	HYDRAULIC COMPONENTS	B
4	2110604	1	Fitting, Adapter	
5	2110606	3	Fitting, Adapter	
8	2170206	1	Fitting, Adapter (Prior to SN 0130004516)	
9	2753673	2	Hose	
10	2120183	1	Filter, In-Line (SN 0130004516 to Present)	
11	2221123	1	Fitting, 90 (SN 0130004516 to Present)	

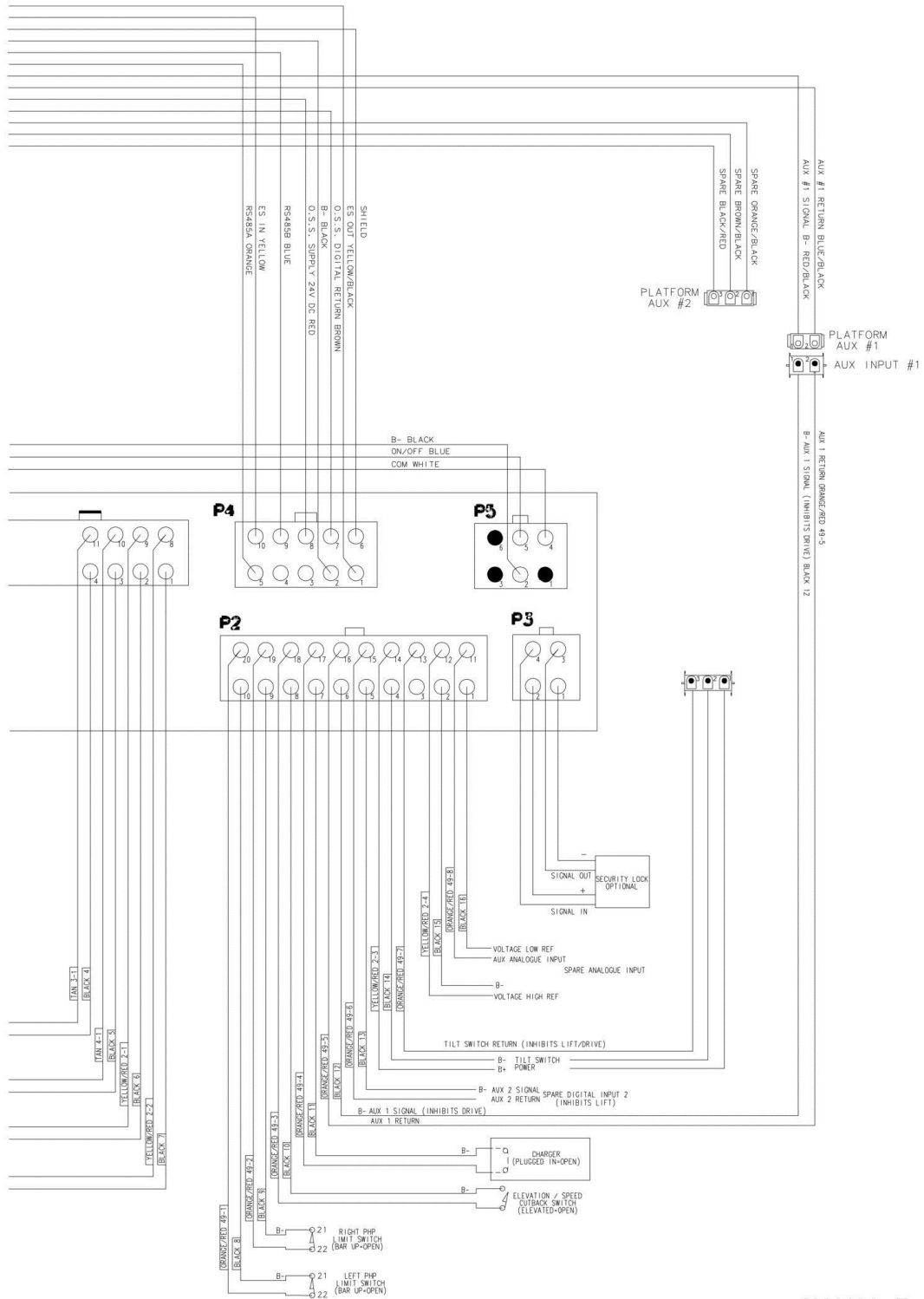
SECTION 7 - ELECTRICAL

SECTION 7 - ELECTRICAL

FIGURE 7-1. ELECTRICAL SCHEMATIC



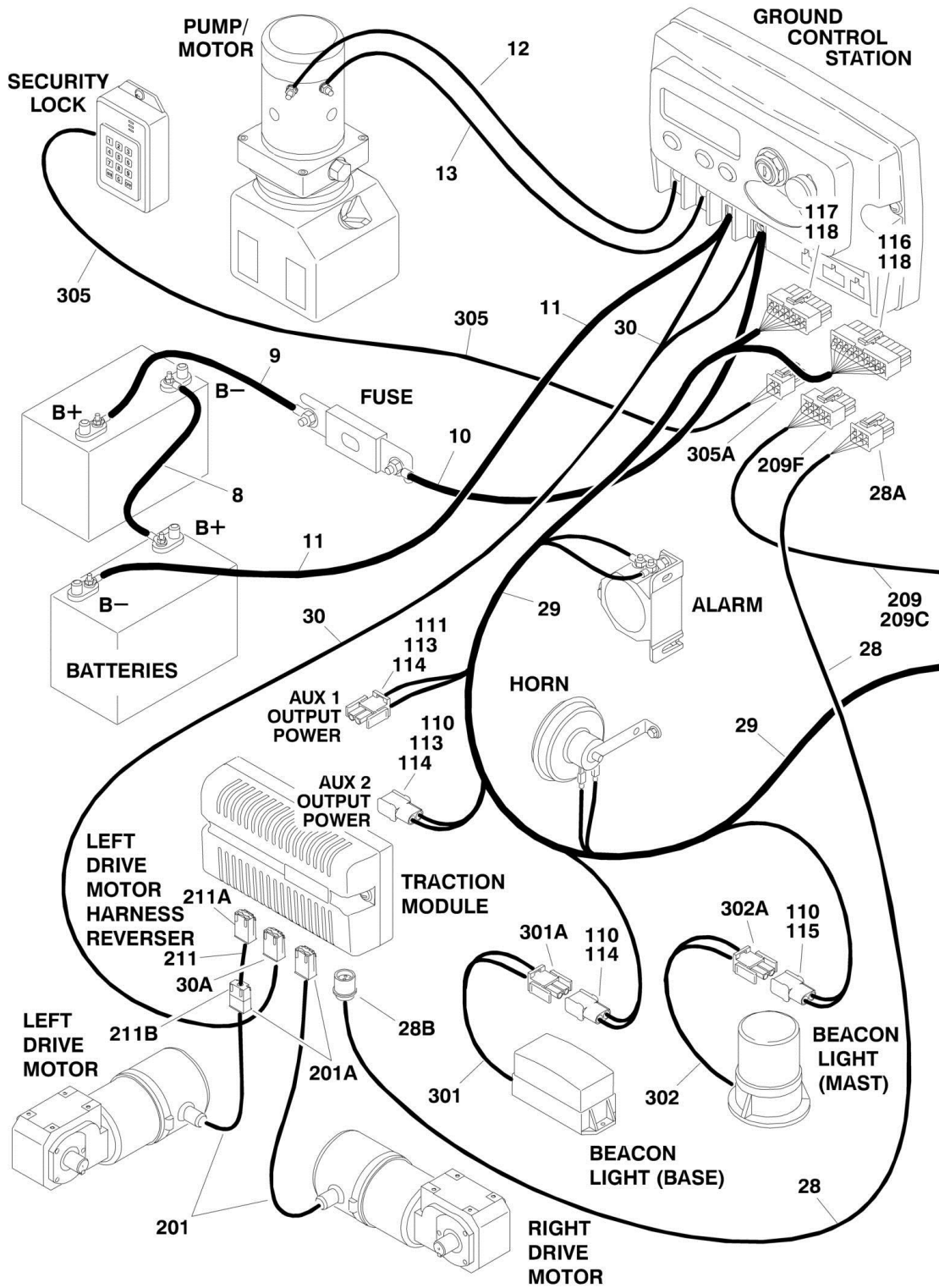
SECTION 7 - ELECTRICAL



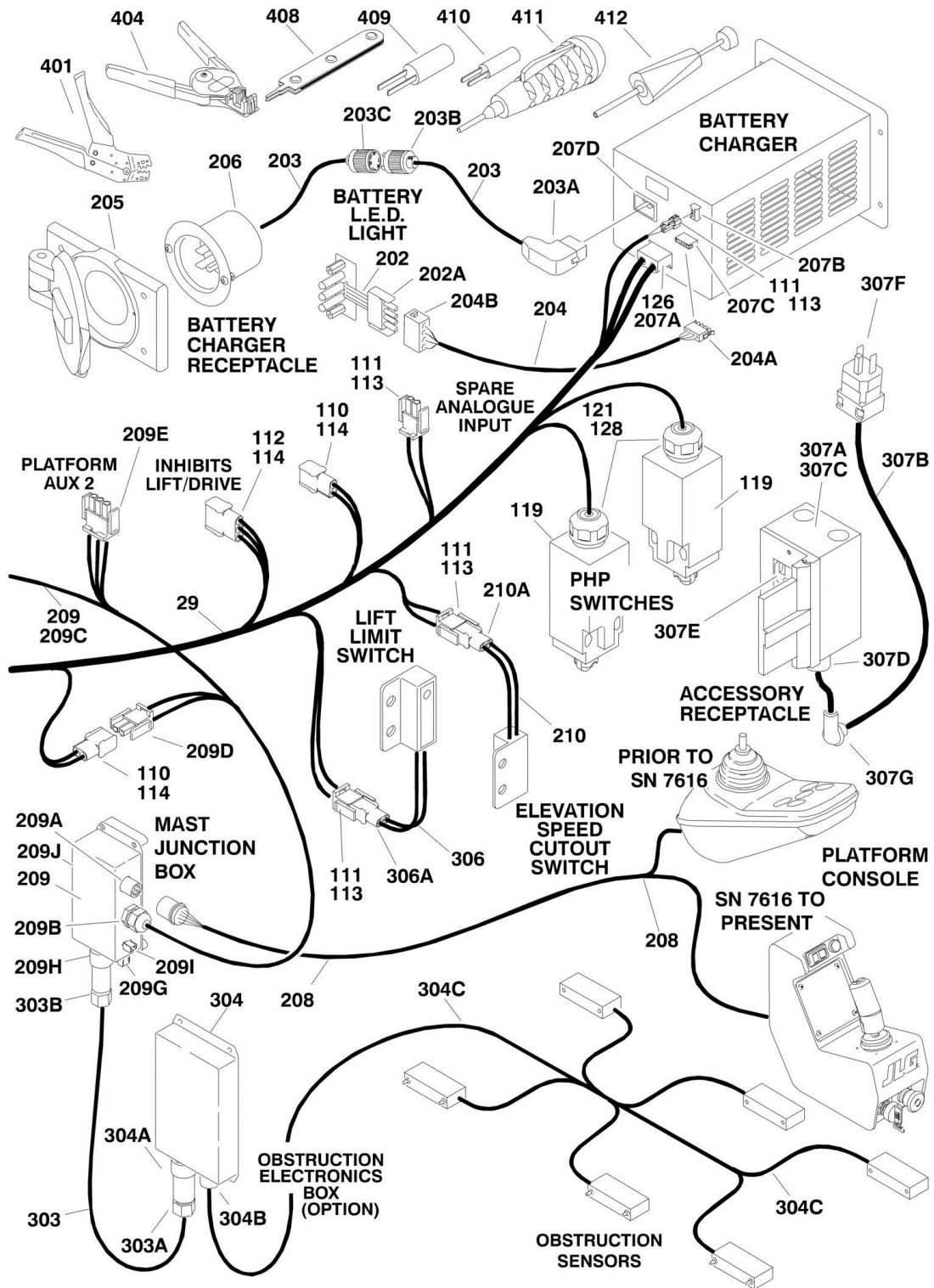
4933184 - E

SECTION 7 - ELECTRICAL

FIGURE 7-2. ELECTRICAL COMPONENTS INSTALLATION



SECTION 7 - ELECTRICAL



SECTION 7 - ELECTRICAL

FIGURE 7-2. ELECTRICAL COMPONENTS INSTALLATION

ITEM	PART NUMBER	QTY	DESCRIPTION	REV
	0271263	Ref	ELECTRICAL SYSTEM INSTALLATION	E
2	0100048	AR	Grease, Dielectric (Not Shown) (Prior to SN 0130004660)	
3	0100051	AR	Grease, Battery Terminal (Not Shown)	
8	1060939	1	Cable, Electrical (Battery+ to Battery-)	
9	1060940	1	Cable, Electrical (Battery+ to Fuse)	
10	1060941	1	Cable, Electrical (Fuse to Ground Station Module+)	
11	1060942	1	Cable, Electrical (Battery- to Ground Station Module-)	
12	1060943	1	Cable, Electrical (Ground Station Module P+ to Pump+)	
13	1060944	1	Cable, Electrical (Ground Station Module P- to Pump-)	
28	4922560	1	Ground Station to Traction Module Harness	
28A	Not Available	1	Connector - 6 Position	
28A	Not Available	6	Pin	
28B	Not Available	1	Receptacle, 6 Piece Female - 6 Position	A
29	4922562	1	Main Harness (See Items 101 to 126 for Breakdown)	
30	4922671	1	Power Harness (Ground Station Module to Traction Module)	
30A	Not Available	1	Connector - 2 Position	
32	0100038	AR	Grease, Contact (Not Shown) (SN 0130004660 to Present)	
	4922562	Ref	MAIN HARNESS ASSEMBLY	3/D
110	4460424	5	Connector - 2 Position	
111	4460320	5	Connector - 2 Position	
112	4460445	1	Connector - 3 Position	
113	4460226	12	Socket, Female	
114	4460227	11	Pin, Male	
115	4460267	2	Pin, Male	
116	4460919	1	Connector - 20 Position	
117	4460920	1	Connector - 14 Position	
118	4460672	33	Pin, Male	
119	4360456	2	Switch, Roller	
121	4460662	2	Connector, Strain Relief	
126	4460444	1	Connector, Anderson	
128	0962449	2	Bushing, Silicon DIX	
		Ref	STANDARD HARNESS ASSEMBLIES	
201	Not Available	2	Drive Motor Harness	
201A	7018030	1	Boot, Terminal	
201A	7018031	2	Housing, Terminal	
201A	7018032	2	Terminal	
202	0610131	1	LED PC Board and Harness	
202A	4460321	1	Connector - 4 Position	
202A	4460227	4	Pin, Male	
203	1060949	1	Battery Cable (Note: Does not include Plug, Terminal or Cover):	A
203A	Not Available	1	Connector, Female	
203B	4460710	1	Receptacle, Female	
203C	4460709	1	Plug, Male	
204	1060753	1	LED to Battery Charger Harness	
204A	4460321	1	Connector - 4 Position	
204A	4460226	4	Socket, Female	
204B	4460761	1	Connector, Female - 4 Position	
204B	4460226	4	Socket, Female	
205	4460802	1	Cover, Terminal	
206		Ref	Receptacle and Boot	

SECTION 7 - ELECTRICAL

ITEM	PART NUMBER	QTY	DESCRIPTION	REV
206	4460803	1	USA ANSI Spec Receptacle	
206	Not Available	1	Locally Supplied Country Spec Receptacle	
207		Ref	Battery Charger Components:	
207A	7022918	1	DC Receptacle and Internal Harness	
207B	7011621	1	Connector - 2 Position (Enable Switch)	
207C	4460761	1	Connector - 4 Position (To LED Light)	
207C	4460227	4	Pin, Male	
207D	7020648	1	AC Inlet Plug	
208		Ref	Controller Cable Assembly Options:	
208	7024427	1	Controller Cable Assembly (Connectors Not Available - Must Purchase Complete Assembly) (Prior to SN 0130007616)	
208	4923316	1	Controller Cable Assembly (SN 0130007616 to Present)	
208		Ref	Components at Junction Box:	
208	70001703	1	Connector - 9 Position (Clipper CLIF1201)	
208	70001704	1	Backshell (Clipper CL101021)	
208	70001705	6	Socket, Female (Clipper CM10SC10MQ)	
208		Ref	Components at Platform Box:	
208	70001706	1	Connector - 9 Position (Clipper CLIF2101)	
208	70001707	1	Backshell (Clipper CL102021)	
208	70001708	6	Socket, Female (Clipper CM16SC10MQ)	
209		Ref	Platform Controls Harness Options:	
209	4922559	1	Platform Controls Harness 15DVSP	
209	4922563	1	Platform Controls Harness 15DVL/20DVL (Prior to SN 0130005561)	
209	4922559	1	Platform Controls Harness 15DVL/20DVL (SN 0130005561 to Present)	
209A	7023498	1	Connector, Female - 9 Position	
209A	7023499	9	Pin, Male	
209B	4460633	1	Connector, Strain Relief	
209C	1060927	25 ft/7.6m	Cable, Electrical - 18/12	
209D	4460320	1	Connector - 2 Position	
209D	4460226	2	Socket, Female	
209E	4460326	1	Connector - 3 Position	
209E	4460226	3	Socket, Female	
209F	7024300	1	Connector - 10 Position	
209F	4461023	10	Socket, Female	
209G	4460424	1	Connector 2 Position	
209G	4460226	2	Socket, Female	
209H	7024302	1	Connector, Female - 4 Position (15DVSP) (Clipper CL1M1102)	
209H	70001799	3	Pin, Male (Clipper CM16PC10MQ)	
209I	4460424	1	Connector - 2 Position	
209I	4460227	2	Pin, Male	
209J	7027739	1	Junction Box	
209J	7020093	4	Screw, Countersunk M3 x 25	
210	Not Available	1	Proximity Switch Harness	
210A	4460424	1	Connector - 2 Position	
210A	4460227	2	Pin, Contact	
211	7024432	1	Reverser Harness	
211A	7018031	1	Housing, Terminal	
211A	7018032	2	Terminal	
211B	Not Available	1	Housing, Terminal	
211B	Not Available	2	Terminal	

SECTION 7 - ELECTRICAL

ITEM	PART NUMBER	QTY	DESCRIPTION	REV
		Ref	OPTIONAL HARNESS ASSEMBLIES	
301	Not Available	1	Base Mounted Beacon Light Harness	
301A	4460320	1	Connector - 2 Position	
301A	4460226	2	Socket, Female	
302	Not Available	1	Mast Mounted Beacon Light Harness	
302A	4460320	1	Connector - 2 Position	
302A	4460226	2	Socket, Female	
303	4922670	1	Obstruction Sensor Harness	
303	1060687	2 ft/61cm	Cable, Electrical - 16/5	
303A	4460773	1	Connector, Backshell	
303A	4460772	1	Connector - 9 Position	
303A	4460776	3	Socket, Female	
303B	4460923	1	Connector, Backshell	
303B	4460922	1	Connector - 4 Position	
303B	4460776	3	Socket, Female	
304	1600309	1	Obstruction Sensor System (15DVSP Only)	
304A	Not Available	1	Connector, Female - 9 Position (Clipper CL1M2102)	
304A	Not Available	9	Pin (Clipper CF16PC10RF)	
304B	Not Available	1	Connector, Strain Relief	
304C	Not Available	1	Sensor Harness (Part of Sensor Assembly)	
305	Not Available	1	Security Lock Harness	
305A	250199	1	Connector - 4 Position	
305A	250220	4	Pin	
306	Not Available	1	Lift Limiter Harness	
306A	4460424	1	Connector - 2 Position	
306A	4460226	2	Socket, Female	
307		Ref	Accessory Receptacle Components	
307	0271295	AR	110V/120V (DVL)	
307	0271792	AR	110V/120V (DVSP)	
307	0271296	AR	220V/240V (DVL)	
307	0271793	AR	220V/240V (DVSP)	
307A	0860946	AR	Box, Receptacle	
307B	1060948	AR	Cable, Electrical - 12/3	
307C		Ref	Cover, Receptacle Options:	
307C	4060700	1	120V	
307C	4060092	1	240V	
307D	4460023	1	Connector, Strain Relief	
307E		Ref	Receptacle, Female Options:	
307E	4460346	1	120V	
307E	4460125	1	240V	
307F		Ref	Plug, Male Options:	
307F	4460549	1	120V	
307F	4460205	1	240V	
307G	4460566	1	Connector, 90	
		Ref	TOOLS	
401	7002821	1	Crimper (For Wire to Pin/Socket Connections)	
404	7002828	1	Stripper, Wire	
405	7024361	1	Calibration Tool (Not Shown)	
406	7002842	1	Brake Crimp Removal Tool (Not Shown)	
407	7002841	1	Motor Crimp Removal Tool (Not Shown)	
408	7016618	1	Molex Tool (For Ground Control Station Electrical Connectors)	

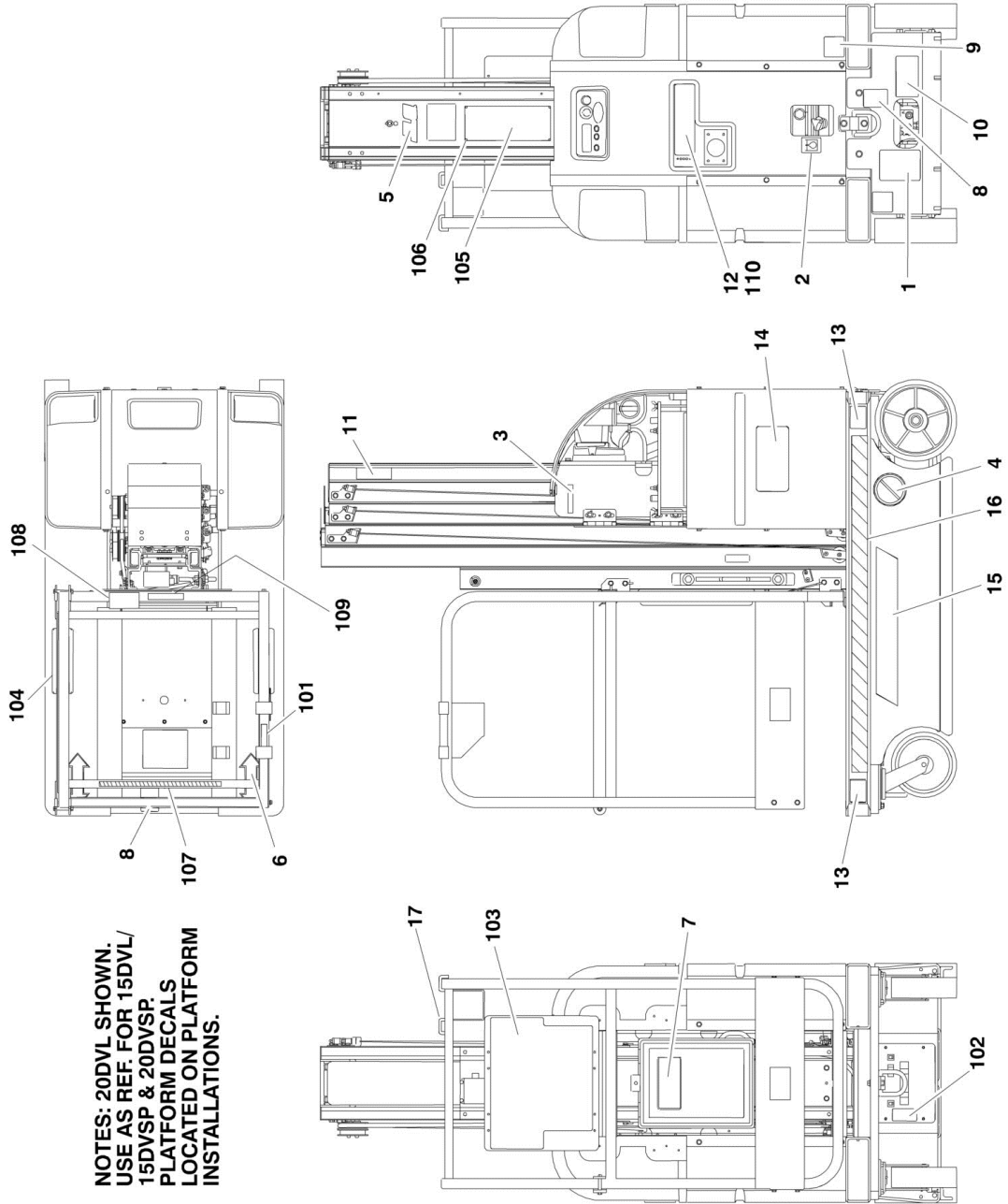
SECTION 7 - ELECTRICAL

ITEM	PART NUMBER	QTY	DESCRIPTION	REV
409	7002841	1	Intech Tool (For Drive Motor Electrical Connectors)	
410	7002842	1	Intech Tool (For Drive Motor Brake Electrical Connectors)	
411	7002847	1	Tyco / AMP Electronics Tool (For other General Electrical Connectors)	
412	7002848	1	Tyco / AMP Electronics Tool (For other General Electrical Connectors)	

SECTION 8 - DECALS

SECTION 8 - DECALS

FIGURE 8-1. DECAL INSTALLATION (Prior to SN 0130006121)



**NOTES: 20DVL SHOWN.
USE AS REF. FOR 15DVL/
15DVSP & 20DVSP
PLATFORM DECALS
LOCATED ON PLATFORM
INSTALLATIONS.**

SECTION 8 - DECALS

FIGURE 8-1. DECAL INSTALLATION (Prior to SN 0130006121)

ITEM	PART NUMBER	QTY	DESCRIPTION	REV
		Ref	DECAL INSTALLATION (COMMON)	
	0272102	Ref	Decal Installation (Common) 15DVL	D
	0272015	Ref	Decal Installation (Common) 15DVSP	E
	0272016	Ref	Decal Installation (Common) 20DVL	E
	0272982	Ref	Decal Installation (Common) 20DVSP	B
1	1700584	1	Decal - Patent	
2	1701504	1	Decal - Hydraulic Oil	
3	Not Available	1	Decal - Bar Code	
4	1703072	2	Decal - No Forklift	
5	1703681	1	Decal - JLG	
6	1703687	2	Decal - Arrow	
7		Ref	Decal - Manual Options:	
7	1703788	1	Decal - Manual (Prior to SN 0130004365)	
7	1701509	1	Decal - Manual (SN 0130004365 through 0130006121)	
8	1703814	2	Decal - Tie Down	
9	1703817	2	Decal - Fork Lift	
10	1705016	1	Decal - Manual Descent	
11		Ref	Decal - Model Designation Options:	
11	1705191	2	Decal - Model Designation 15DVL	
11	1705018	2	Decal - Model Designation 15DVSP	
11	1705017	2	Decal - Model Designation 20DVL	
11	1705703	2	Decal - Model Designation 20DVSP	
12	1705048	1	Decal - Axxessor and Address (Prior to SN 0130005806)	
13	1705059	4	Decal - Wheel Load	
14	1705060	2	Decal - Axxessor	
15	1705064	2	Decal - Axxessor	
16		Ref	Tape, Safety Option:	
16	Not Required	0	Tape, Safety 15DVL	
16	4420051	84 in/2.2m	Tape, Safety 15DVSP/20DVSP	
16	Not Required	0	Tape, Safety 20DVL	
17	1703688	2	Decal - Direction Arrow (SN 0130004184 through 0130006121)	
		Ref	DECAL INSTALLATION	
		Ref	Decal Installation 15DVL:	
	0272114	Ref	Australian/UK English Language	B
	0272119	Ref	Dutch Language	B
	0272120	Ref	Finnish Language	B
	0272116	Ref	French Language	B
	0272115	Ref	German Language	B
	0272118	Ref	Italian Language	B
	0272117	Ref	Spanish Language	B
	0272121	Ref	Swedish Language	B
		Ref	Decal Installation 15DVSP:	
	0271961	Ref	Australian/UK English Language	C
	0271970	Ref	Dutch Language	B
	0271971	Ref	Finnish Language	B
	0271967	Ref	French Language	B
	0271966	Ref	German Language	B
	0271969	Ref	Italian Language	B
	0271968	Ref	Spanish Language	B
	0271964	Ref	Swedish Language	B

SECTION 8 - DECALS

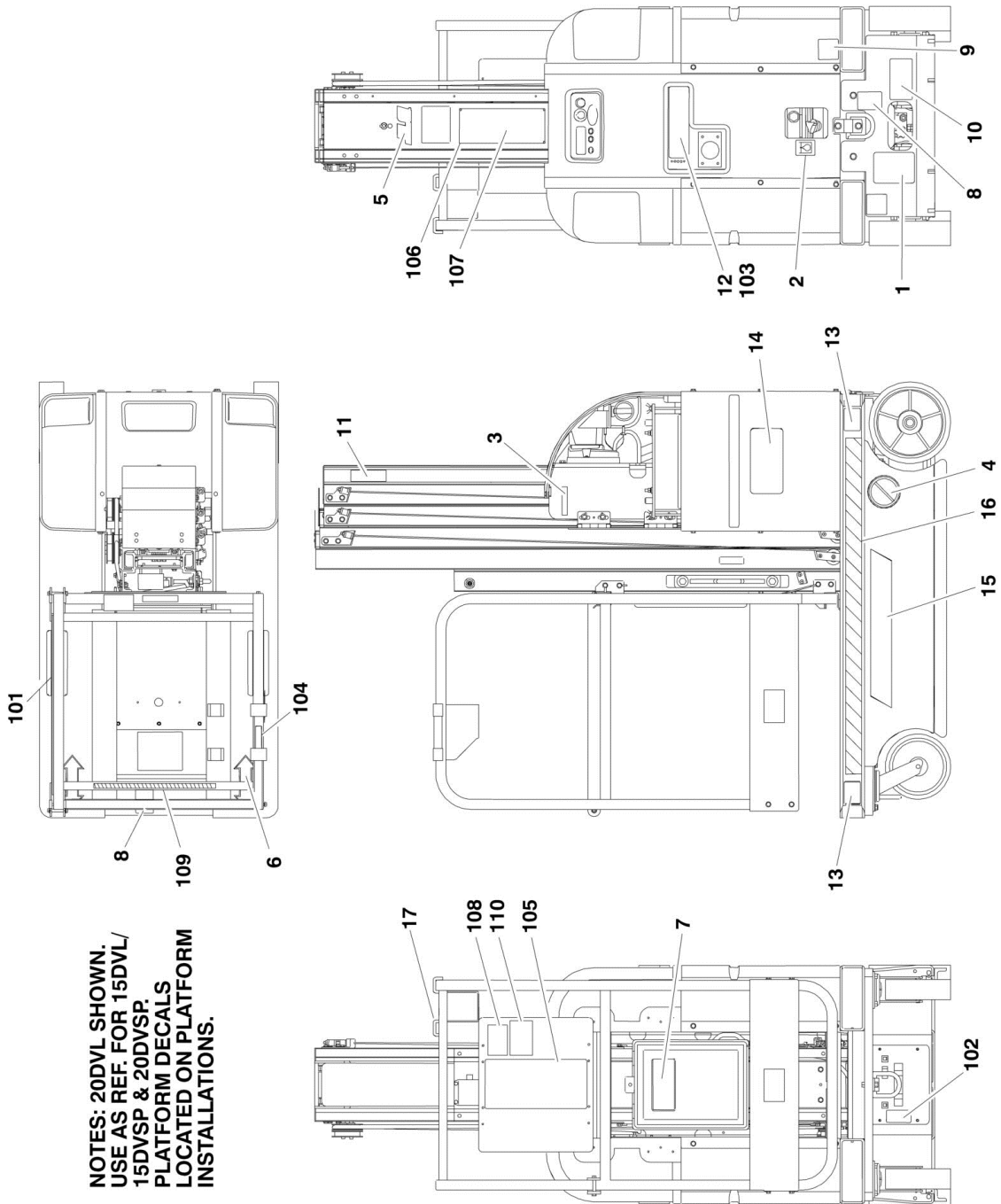
ITEM	PART NUMBER	QTY	DESCRIPTION	REV
		Ref	Decal Installation 20DVL:	
	0271277	Ref	Australian/UK English Language	B
	0271282	Ref	Dutch Language	B
	0271283	Ref	Finnish Language	B
	0271279	Ref	French Language	B
	0271278	Ref	German Language	B
	0271281	Ref	Italian Language	B
	0271280	Ref	Spanish Language	B
	0271275	Ref	Swedish Language	B
101		Ref	Decal - Control Box Location Options:	
101	1703684	1	English / Australian Language	
101	1703722	1	Dutch Language	
101	1705100	1	Finnish Language	
101	1703719	1	French Language	
101	1703718	1	German Language	
101	1703721	1	Italian Language	
101	1703685	1	Spanish Language	
101	1705101	1	Swedish Language	
102		Ref	Decal - Warning Fire Hazard Options:	
102	1703785	1	English / Australian	
102	1704055	1	Dutch Language	
102	1705102	1	Finnish Language	
102	1704042	1	French Language	
102	1704071	1	German Language	
102	1704063	1	Italian Language	
102	1704031	1	Spanish Language	
102	1705103	1	Swedish Language	
103		Ref	Decal - Warning/Instruction Options:	
103		Ref	Decal - Warning/Instruction 15DVL	
103	1705198	1	English / Australian Language	
103	1705203	1	Dutch Language	
103	1705204	1	Finnish Language	
103	1705200	1	French Language	
103	1705199	1	German Language	
103	1705202	1	Italian Language	
103	1705201	1	Spanish Language	
103	1705205	1	Swedish Language	
103		Ref	Decal - Warning/Instruction 15DVSP	
103	1705050	1	English Language	
103	1705124	1	Dutch Language	
103	1705125	1	Finnish Language	
103	1705122	1	French Language	
103	1705121	1	German Language	
103	1705123	1	Italian Language	
103	1705120	1	Spanish Language	
103	1705126	1	Swedish Language	
103		Ref	Decal - Warning/Instruction 20DVL	
103	1705049	1	English Language	
103	1705116	1	Dutch Language	
103	1705117	1	Finnish Language	
103	1705114	1	French Language	

SECTION 8 - DECALS

ITEM	PART NUMBER	QTY	DESCRIPTION	REV
103	1705113	1	German Language	
103	1705115	1	Italian Language	
103	1705112	1	Spanish Language	
103	1705119	1	Swedish Language	
104	1705099	2	Decal - Crushing Hazard	
105	Not Serviced	1	Nameplate, Serial Number	
106	3820031	4	Rivet	
107		Ref	Decal - Close Gate Options: (15DVSP Only)	
107	1704469	1	English / Australian Language	
107	1705161	1	Dutch Language	
107	1705162	1	Finnish Language	
107	1705159	1	French Language	
107	1705158	1	German Language	
107	1705160	1	Italian Language	
107	1705157	1	Spanish Language	
107	1705163	1	Swedish Language	
108		Ref	Decal - Fall Hazard Options: (15DVSP Only)	
108	1704980	1	English / Australian Language	
108	1705149	1	Dutch Language	
108	1705150	1	Finnish Language	
108	1705147	1	French Language	
108	1705146	1	German Language	
108	1705148	1	Italian Language	
108	1704594	1	Spanish Language	
108	1705151	1	Swedish Language	
109		Ref	Decal - Stock Picking Options: (15DVSP Only)	
109	1704981	1	English / Australian Language	
109	Not Required	0	Dutch Language	
109	1705138	1	Finnish Language	
109	1705135	1	French Language	
109	1705134	1	German Language	
109	1705136	1	Italian Language	
109	1705133	1	Spanish Language	
109	1705139	1	Swedish Language	
110		Ref	Decal - Battery Charging Instruction Options:	
110	1705834	1	English / Australian Language	
110	1705857	1	Dutch Language	
110	1705858	1	Finnish Language	
110	1705853	1	French Language	
110	1705854	1	German Language	
110	1705856	1	Italian Language	
110	1705855	1	Spanish Language	
110	1705859	1	Swedish Language	

SECTION 8 - DECALS

FIGURE 8-2. DECAL INSTALLATION (SN 0130006121 to Present)



NOTES: 20DVL SHOWN.
 USE AS REF. FOR 15DVL/
 15DVSP & 20DVSP.
 PLATFORM DECALS
 LOCATED ON PLATFORM
 INSTALLATIONS.

SECTION 8 - DECALS

FIGURE 8-2. DECAL INSTALLATION (SN 0130006121 to Present)

ITEM	PART NUMBER	QTY	DESCRIPTION	REV
		Ref	DECAL INSTALLATION (COMMON)	
	0272102	Ref	Decal Installation (Common) 15DVL	D
	0272015	Ref	Decal Installation (Common) 15DVSP	E
	0272016	Ref	Decal Installation (Common) 20DVL	E
	0272982	Ref	Decal Installation (Common) 20DVSP	B
1	1700584	1	Decal - Patent	
2	1701504	1	Decal - Hydraulic Oil	
3	Not Available	1	Decal - Bar Code	
4	1703072	2	Decal - No Forklift	
5	1703681	1	Decal - JLG	
6	1703687	2	Decal - Arrow	
7	1701509	1	Decal - Manual	
8	1703814	2	Decal - Tie Down	
9	1703817	2	Decal - Fork Lift	
10	1705016	1	Decal - Manual Descent	
11		Ref	Decal - Model Designation Options:	
11	1705191	2	Decal - Model Designation 15DVL	
11	1705018	2	Decal - Model Designation 15DVSP	
11	1705017	2	Decal - Model Designation 20DVL	
11	1705703	2	Decal - Model Designation 20DVSP	
13	1705059	4	Decal - Wheel Load	
14	1705060	2	Decal - Axxessor	
15	1705064	2	Decal - Axxessor	
16		Ref	Tape, Safety Options:	
16	Not Required	0	Tape, Safety 15DVL	
16	4420051	84 in/2.2m	Tape, Safety 15DVSP/20DVSP	
16	Not Required	0	Tape, Safety 20DVL	
17	1703688	2	Decal - Direction Arrow	
		Ref	DECAL INSTALLATION	
	0273860	Ref	Decal Installation 15DVL	A
	0273861	Ref	Decal Installation 15DVSP	A
	0273850	Ref	Decal Installation 20DVL	A
101	1705099	2	Decal - Crushing Hazard	
102	1705803	1	Decal - Warning Fire Hazard	
103	1705958	1	Decal - Battery Charging Instruction	
104	0715959	1	Decal - Control Box Location	
105		Ref	Decal - Warning/Instruction Options:	
105	1705963	1	Decal - Warning/Instruction 15DVL	
105	1705962	1	Decal - Warning/Instruction 15DVSP	
105	1705960	1	Decal - Warning/Instruction 20DVL	
106	3820031	4	Rivet	
107	Not Serviced	1	Nameplate, Serial Number	
108	1705965	1	Decal - Fall Hazard (15DVSP Only)	
109	1705964	1	Decal - Close Gate (15DVSP Only)	
110	1705966	1	Decal - Stock Pick Only (15DVSP Only)	

SECTION 9 - RECOMMENDED SERVICE PARTS STOCK

SECTION 9 - RECOMMENDED SERVICE PARTS STOCK

SECTION 9 - RECOMMENDED SERVICE PARTS STOCK

FIGURE 9-1. DVL/DVSP SERIES STANDARD PARTS

ITEM	PART NUMBER	QTY	DESCRIPTION	REV
		Ref	Note: The following list will service one machine (built to current production per date on the front cover) with emergency repair parts which can be installed in the field. Parts from the list should be replaced when inventory is depleted to keep service parts stock supplied. For further information, contact your JLG dealer or the JLG Industries Parts Department.	
		Ref	STANDARD PARTS	
	2860030	1	Key, Replacement	
	7013723	1	Filter - 149 Micron	
	7016714	1	Breather	
	2400069	2	Fuse	
	4360515	1	Switch, Proximity	
	7018564	1	Relay, Interlock	
	7018514	1	Breaker, Circuit - AC	
	1600454	1	Controller	

SECTION 9 - RECOMMENDED SERVICE PARTS STOCK

FIGURE 9-2. DVL/DVSP SERIES VARIABLE PARTS

ITEM	PART NUMBER	QTY	DESCRIPTION	REV
		Ref	Note: The following list will service one machine (built to current production per date on the front cover) with emergency repair parts which can be installed in the field. Parts from the list should be replaced when inventory is depleted to keep service parts stock supplied. For further information, contact your JLG dealer or the JLG Industries Parts Department.	
		Ref	VARIABLE PARTS	
	4360516	1	Switch, Lift Limiter	
	2940074	1	Latch, Platform Gate (Without Drop Bar Gate or Molded Sides)	
	2940082	1	Latch, Platform Gate (DVL/DVSP Molded Side)	

SECTION 10 - SPECIAL OPTIONS

SECTION 10 - SPECIAL OPTIONS

FIGURE 10-1. SPECIAL OPTIONS

ITEM	PART NUMBER	QTY	DESCRIPTION	REV
		Ref	SPECIAL OPTION INSTALLATIONS	
		Ref	Note: This list is to accommodate machines ordered with special equipment. Options may not be applicable to all models. For more specific parts information contact JLG Parts Department.	
	0271198	Ref	Carrier, Rug	
	0255040	Ref	Fluorescent Tube Caddy	
	0273000	Ref	Hydraulic Oil Installation (Fire Resistant)	
	1704412	1	Decal - Hydraulic Oil	
	2300014	Ref	Hydraulic Oil - Mobil 424	
	2300021	Ref	Hydraulic Oil - Union Carbide Ucon HP5046 Fire Resistant	
	3128199	Ref	Inspection Packet	
	0258799	Ref	Material Tray (Platform with Molded Sides)	
		Ref	Shipping Skid, Container	
	1580035	1	Shipping Skid, Container 15DVL & 20DVL	
	1580037	1	Shipping Skid, Container 20DVSP & 15DVSP	
	0255036	Ref	Tool Tray	
		Ref	Tools	
	0100048	AR	Compound, Silicone (Use on Connectors/Receptacles)	
	7002821	1	Crimper (For Wire to Pin/Socket Connections)	
	7002828	1	Stripper, Wire	
	7024361	1	Calibration Tool	
	7002842	1	Brake Crimp Removal Tool (Not Shown)	
	7002841	1	Motor Crimp Removal Tool (Not Shown)	
	7016618	1	Molex Tool (For Ground Control Station Electrical Connectors)	
	7002841	1	Intech Tool (For Drive Motor Electrical Connectors)	
	7002842	1	Intech Tool (For Drive Motor Brake Electrical Connectors)	
	7002847	1	Tyco / AMP Electronics Tool (For other General Electrical Connectors)	
	7002848	1	Tyco / AMP Electronics Tool (For other General Electrical Connectors)	
		Ref	Utility Rack Installation Options:	
	0272914	Ref	1 Piece	
	0272984	Ref	2 Piece	

PART NUMBER INDEX

PART NUMBER INDEX

01000119, 13, 17, 21, 29, 33, 47, 53, 57, 67, 69, 73, 77, 85	0271964 107	0561341 57	0902836..... 27
0100019..... 17, 29, 74	0271966 107	0561408 59	0902877..... 65, 69
0100035.... 10, 14, 41, 48, 81	0271967 107	0610131 41, 100	0903205..... 53
0100038..... 17, 21, 100	0271968 107	0630440 48	0940049..... 73, 77
0100048..... 100, 118	0271969 107	0630464 53	0940104..... 85
0100051..... 100	0271970 107	0630552 41	0961845..... 63
0100062..... 59	0271971 107	0630572 73	0962288..... 81
0120006..... 27	0271981 33	0630590 13	0962337..... 74, 77
0140022..... 33	0271982 33	0641404 33	0962449..... 100
0140033..... 33	0272015 107, 111	0641405 27, 41	1060380.... 47, 63, 65, 67, 69, 81, 83
0255036..... 118	0272016 107, 111	0641406 9, 13, 57	1060649..... 9, 13
0255040..... 118	0272061 10, 14	0641407 29, 57	1060687..... 102
0257711..... 63	0272102 107, 111	0641408 ... 25, 27, 57, 63, 65, 67, 69, 83	1060753..... 41, 100
0258586..... 69	0272114 107	0641410 57	1060920..... 57
0258587..... 65	0272115 107	0641412 47	1060927..... 101
0258588..... 65	0272116 107	0641414 63, 65, 69, 83	1060939..... 100
0258672..... 67	0272117 107	0641416 67, 70	1060940..... 100
0258799..... 118	0272118 107	0641418 63, 78	1060941..... 100
0271198..... 118	0272119 107	0641422 85	1060942..... 100
0271258..... 9, 13	0272120 107	0641508 59, 85	1060943..... 100
0271259..... 29	0272121 107	0641606 9, 13, 33	1060944..... 100
0271260..... 29	0272161 27	0641607 9, 13, 60	1060948..... 48, 102
0271261..... 33, 93	0272206 33	0641609 ... 10, 14, 17, 21, 29	1060949..... 41, 100
0271263..... 41, 100	0272276 27	0641610 10	1100103..... 9, 13
0271264..... 27	0272329 33	0641611 17	1260368..... 57, 59
0271266..... 63	0272330 27	0641612 60	1260370..... 57, 59
0271267..... 65	0272524 78	0641614 9, 13	1260371..... 57, 59
0271268..... 65	0272584 14, 21	0641616 73, 77	1271486..... 57
0271269..... 67	0272595 21	0641620 73, 77	1271487..... 57
0271270..... 69	0272716 85	0641812 57	1271488..... 57
0271271..... 77	0272774 9, 17	0641816 17	1271489..... 57
0271272..... 73	0272775 9, 17	0641816 17	1271490..... 57
0271273..... 47	0272776 9, 13	0681812 57	1271493..... 57
0271275..... 108	0272830 14, 21	0700507 47	1320043..... 47
0271277..... 108	0272914 118	0715959 111	1320149..... 47
0271278..... 108	0272981 9, 13	0720805 69	1380132..... 47, 70
0271279..... 108	0272982 107, 111	0721004 74, 78	1400126..... 17, 21
0271280..... 108	0272984 118	0721006 48, 65, 69	1400128..... 21
0271281..... 108	0273000 118	0721008 73, 77	1560019..... 83
0271282..... 108	0273322 29	0741006 41, 57	1580019..... 85
0271283..... 108	0273323 29	0741008 47	1580035..... 118
0271291..... 48	0273396 77	0741506 17, 21	1580037..... 118
0271294..... 81	0273397 73	0741605 33	1600309..... 81, 102
0271295..... 102	0273850 111	0741606 57	1600321..... 33
0271296..... 102	0273860 111	0741609 17, 21	1600323..... 47, 51
0271297..... 59	0273861 111	0791404 53	1600329..... 33
0271460..... 9, 17	0274275 85	0791620 85	1600335..... 33
0271461..... 9, 17	0274342 83	0801308 29, 57	1600378..... 53
0271663..... 47	0274406 83	0801309 29, 57	1600379..... 53
0271664..... 33	0274607 83	0801376 29, 57	1600397..... 33
0271792..... 102	0362347 67	0801377 29, 57	1600454..... 53, 114
0271793..... 102	0362658 41	0860520 ... 63, 65, 67, 69, 73, 77, 83, 85	1671014..... 27
0271794..... 48	0362735 57	0860946 48, 102	1671015..... 27
0271810..... 41	0362736 57	0861693 47, 53	1671016..... 27
0271811..... 41	0400208 41, 45	0861767 53	1671017..... 27
0271821..... 59	0400209 41	0902047 57	1671020..... 9, 13
0271822..... 59	0440221 17	0902297 60	1671026..... 27
0271823..... 77	0440248 59	0902422 57	1671065..... 27
0271936..... 73	0440249 58	0902424 57	1671066..... 27
0271946..... 10, 14	0440258 21	0902431 57	1671072..... 27
0271947..... 60	0561149 59	0902445 57	1671073..... 27
0271961..... 107	0561308 59	0902698 57	1671074..... 27
0271962..... 41	0561309 59	0902737 27	1671077..... 27
	0561336 59	0902775 59	1684143..... 57, 89
	0561337 59		1684144..... 57, 89

PART NUMBER INDEX

1684233 57, 89	1705138 109	2410018.....83	3422657 ... 48, 63, 65, 67, 69, 83
1684234 57, 89	1705139 109	250199.....102	3422717 58
1700584 107, 111	1705146 109	250220.....102	3422720 59
1701504 107, 111	1705147 109	2560154.....69	3422722 59
1701509 107, 111	1705148 109	2600225.....65, 69, 83	3422744 73, 77
1701612 63, 65	1705149 109	2600258.....27	3422750 58
1703072 107, 111	1705150 109	2600281.....85	3422752 58
1703455 60	1705151 109	2753673.....93	3422757 58
1703681 ... 63, 65, 69, 73, 77, 83, 107, 111	1705157 109	2860027.....17, 21	3422866 74, 78
1703684 108	1705158 109	2860029.....17	3423050 21
1703685 108	1705159 109	2860030.....34, 53, 114	3430638 9, 13
1703687 107, 111	1705160 109	2860031.....21	3440320 17
1703688 107, 111	1705161 109	2880310.....57	3440520 17
1703718 108	1705162 109	2902387.....27	3450202 59
1703719 108	1705163 109	2902388.....27	3450304 59
1703721 108	1705191 107, 111	2902390.....27	3450403 9, 13
1703722 108	1705198 108	2910760.....81	3510676 67
1703785 108	1705199 108	2920155.....10, 14	3510873 83
1703788 107	1705200 108	2920156.....60	3520028 67
1703814 107, 111	1705201 108	2940074 ... 65, 69, 73, 77, 116	3520030 69
1703817 107, 111	1705202 108	2940082.....67, 116	3520033 10, 14
1704031 108	1705203 108	3020017.....9, 13, 17	3520072 ... 65, 67, 69, 74, 78, 85
1704042 108	1705204 108	3020022.....9, 13	3520169 63, 83
1704055 108	1705205 108	3020038.....41	3520176 73, 77
1704063 108	1705578 81	3020039.....21	3539814 58
1704071 108	1705579 81	3020041.....59	3570274 69
1704277 57, 73, 77	1705580 81	3080005.....74, 78	3570362 69
1704412 118	1705581 81	3128199.....118	3570435 63
1704469 109	1705582 81	3160282.....17, 21, 25	3570462 65
1704483 81	1705585 81	3160312.....21, 25	3570464 65, 83
1704594 109	1705586 81	3252760.....48	3570653 70
1704905 81	1705587 81	3271805.....57	3570654 70
1704980 109	1705588 81	3300151.....67	3570680 47
1704981 109	1705703 73, 77, 107, 111	3300202.....41	3570893 58
1705016 107, 111	1705803 111	3300356.....65, 70, 83	3570976 60
1705017 107, 111	1705834 109	3300356.....65, 70, 83	3571101 59
1705018 73, 77, 107, 111	1705853 109	3310601.....53	3571103 59
1705048 107	1705854 109	3310805.....69	3571552 73, 77
1705049 108	1705855 109	3311001 ... 41, 48, 67, 73, 77	3571734 33
1705050 108	1705856 109	3311005 9, 13, 33, 65, 67, 69, 70	3572511 41
1705059 107, 111	1705857 109	3311401.....47, 57	3572847 59
1705060 73, 77, 107, 111	1705858 109	3311402.....13	3573070 17
1705064 107, 111	1705859 109	3311405 ... 27, 47, 48, 63, 65, 67, 69, 78, 83	3573071 17
1705099 109, 111	1705958 111	3311501 ... 41, 73, 77, 85	3573077 17
1705100 108	1705960 111	3311502.....73, 77	3573093 9, 13
1705101 108	1705962 111	3311505 ... 65, 67, 69, 83	3573546 47
1705102 108	1705963 111	3311601.....29, 58	3573986 21
1705103 108	1705964 111	3311605 9, 13, 17, 21, 60, 73, 77	3574442 85
1705103 108	1705965 111	3311608.....85	3574608 85
1705112 109	1705966 111	3311801 17, 58	3575698 13
1705113 109	1705981 17, 21	3312002.....9, 13	3580269 58
1705114 108	1706007 53	3340746.....67	3580286 58
1705115 109	1706385 83	3340754.....67	3580291 59
1705116 108	1706493 83	3340829.....69	3580293 58
1705117 108	2020005 69	3340845.....58	3580305 47, 48
1705119 109	2080040 73, 77, 85	3340858.....58	3580344 47
1705120 108	2110604 93	3340977.....85	3600326 33, 37
1705121 108	2110606 93	3380466 ... 63, 65, 67, 69, 73, 77, 83, 85	3600463 33, 39
1705122 108	2120183 93	3380540.....53	3640924 67
1705123 108	2170206 93	3422338.....59	3640990 67
1705124 108	2220883 89	3422346.....59	3760170 81
1705125 108	2221123 93	3422355.....59	3760365 9, 13
1705126 108	2300014 118		3760383 58
1705133 109	2300021 118		3760448 74, 78
1705134 109	2400044 41		
1705135 109	2400069 41, 114		
1705136 109	2410016 83		

PART NUMBER INDEX

3820024.....47, 63, 65, 67, 69, 73, 77, 83, 85	4160160 9, 13	47114009, 13, 27, 33, 47, 48, 58, 63, 65, 67, 69, 83	4860240.....17, 21
3820031.....109, 111	4160162 9, 13	4711500 58, 67, 69	4922559.....47, 101
3820032.....10, 14, 27, 60, 63, 65, 67, 69, 73, 77, 81, 83, 85	4160165 65, 69	47116009, 13, 17, 21, 29, 60, 65, 69, 73, 74, 77, 78, 83	4922560.....100
3820034.....58	4220225 85	4711800 17, 58, 74, 78	4922562.....100
3841343.....9, 13	4240032 41, 60, 81	4712000 9, 13	4922563.....47, 101
3900032.....65, 69, 83	4240033 81	4740007 58	4922670.....81, 102
3900163.....59	4240084 9	4740120 47, 81	4922671.....100
3900177.....67	4240127 9, 13	4740414 58	4923106.....53
3900187.....58	4240147 9, 13	4740428 67	4923107.....53
3900192.....58	4280296 63, 70, 73, 77	4740429 67	4923108.....53
3900200.....69	4300111 59	4740478 17, 21	4923315.....53
3900202.....9, 13, 67	4300129 59	4750800 ... 41, 42, 48, 58, 69	4923316.....48, 101
3900203.....67	4300154 10, 14	4751000 ... 33, 41, 47, 65, 67, 69, 73, 77	70000012.....53
3900205.....41, 58	4360456 100	4751400 ... 27, 29, 41, 67, 78	70000082.....53
3900249.....10, 14	4360467 53	4751500 ... 47, 59, 73, 77, 85	70000087.....33
3900251.....70	4360514 41	4751600 9, 13, 33	70000682.....53
3900252.....69	4360515 41, 114	4751800 58	70000683.....53
3900258.....27, 65, 69, 83	4360516 116	4761000 ... 41, 42, 58, 73, 77	70000684.....53
3900264.....47, 48	4360562 53	4761400 27, 58	70000685.....53
3900270.....74, 78	4360567 53	4761500 41	70000686.....53
3900309.....81	4360581 53	4812000 21	70000928.....51
3900315.....47	4420039 ... 63, 65, 69, 73, 77, 83	4845345 59	70000933.....25
3900373.....47	4420051 85, 107, 111	4845577 63	70001019.....39
3910608.....53	4460023 48, 102	4845614 69	70001020.....39
3910804.....53	4460125 102	4845657 70	70001021.....39
3911008.....33	4460205 102	4845797 63	70001022.....39
3911010.....33	4460226 100, 101, 102	4845805 65	70001023.....39
3911016.....33, 41	4460227 100, 101	4845808 65	70001024.....39
3911020.....33, 41	4460267 100	4845809 65, 83	70001025.....39
3911032.....67	4460320 ... 100, 101, 102	4845810 69	70001026.....39
3930808.....81	4460321 100	4845811 69	70001027.....39
3930816.....47	4460326 101	4845812 69	70001028.....39
3931016.....47	4460346 102	4845813 65	70001703.....101
3931516.....37	4460424 100, 101, 102	4845821 67	70001704.....101
4040268.....17, 21	4460444 100	4845822 67	70001705.....101
4060092.....102	4460445 100	4845831 67	70001706.....101
4060700.....102	4460549 102	4846021 63, 65, 69, 83	70001707.....101
4060803.....63, 65, 70, 83	4460566 48, 102	4846324 73, 77	70001708.....101
4060804.....67	4460633 101	4846325 73, 77	70001798.....54
4060882.....67	4460662 100	4846436 9, 13	70001799.....54, 101
4060960.....58	4460672 100	4846437 9, 13	70003676.....25
4060961.....58	4460709 100	4846440 17	70003805.....53
4061034.....58	4460710 100	4846441 17	7002821.....102, 118
4070547.....10	4460761 100, 101	4846445 29	7002828.....102, 118
4070860.....58	4460772 102	4846446 9, 13	7002841.....102, 103, 118
4070861.....58	4460773 102	4846447 29	7002842.....102, 103, 118
4070862.....58	4460776 102	4846481 59	7002847.....103, 118
4070890.....67	4460802 41, 100	4846514 59	7002848.....103, 118
4070894.....67	4460803 101	4846521 73, 77	7011621.....45, 101
4070970.....58	4460805 41	4846522 74, 78	7013701.....37
4070971.....58	4460919 100	4846536 74, 78	7013708.....37
4070988.....58	4460920 100	4846722 85	7013713.....37
4070989.....58	4460922 102	4846864 85	7013715.....37
4070990.....58	4460923 102	4846869 13	7013716.....37
4071032.....47	4460940 41	4846870 13	7013717.....37
4071043.....41	4461023 53, 54, 101	4860232 17, 21	7013720.....37
4071058.....41	4461041 54	4860235 9, 13	7013722.....37
4071064.....10	4567203 9, 13	4860239 9, 13	7013723.....37, 114
4071077.....14	4567489 58		7013727.....37
4071078.....14	4567492 58		7013728.....37
4071092.....85	4567749 58		7013743.....37
4160124.....58	4567750 58		7013766.....37
4160125.....67	4567751 58		7013770.....37
4160130.....47	4568261 81		7013779.....37
			7013792.....37
			7013793.....37
			7016618.....102, 118

PART NUMBER INDEX

7016710	37	7018042	25	7023351	17, 21	7024426	51
7016712	37	7018043	25	7023352	17, 21	7024427	51, 101
7016713	37	7018045	25	7023353	17, 21	7024428	33
7016714	37, 114	7018049	25	7023354	17, 21	7024430	33
7016717	37	7018050	25	7023355	17, 21	7024432	101
7016718	37	7018062	25	7023356	18, 21	7024460	34
7016719	37	7018514	45, 114	7023357	18, 21	7024480	89
7016721	37	7018537	45	7023358	18, 22	7024575	51
7016722	37	7018564	45, 114	7023359	18, 22	7024591	33
7016724	37	7018570	45	7023360	18, 22	7024592	34
7016735	37	7018577	45	7023361	18, 22	7024818	89
7018000	25	7018586	45	7023391	89	7024819	89
7018001	25	7018589	45	7023392	89	7024820	89
7018009	25	7020093	101	7023394	89	7024833	89
7018010	25	7020648	45, 101	7023395	89	7026165	39
7018011	25	7020651	45	7023490	89	7026195	10, 14
7018021	25	7020663	45	7023491	89	7026196	10, 14
7018026	25	7020673	45	7023492	89	7026335	39
7018028	25	7020674	45	7023493	27	7026622	89
7018030	25, 100	7022210	37	7023498	101	7026623	89
7018031	25, 100, 101	7022211	37	7023499	101	7026624	89
7018032	25, 100, 101	7022212	37	7024300	101	7026625	89
7018033	25	7022918	45, 101	7024302	101	7027302	51
7018034	25	7022919	45	7024361	51, 102, 118	7027365	53
7018035	25	7022920	45	7024405	89	7027366	53
7018036	25	7022921	45	7024406	89	7027367	53
7018037	25	7022922	45	7024407	89	7027739	101
7018038	25	7022923	45	7024422	51	7027764	53
7018039	25	7022926	45	7024423	51	7027765	53
7018040	25	7022942	45	7024424	51	7027766	53
7018041	25	7022943	45	7024425	51		



3121839



An Oshkosh Corporation Company

Corporate Office
JLG Industries, Inc.
1 JLG Drive
McConnellsburg, PA 17233-9533
USA

+1-717-485-5161 (Corporate)
+1-877-554-5438 (Customer Support Toll Free)
+1-717-485-6417

JLG Worldwide Locations

JLG Industries
358 Park Road
Regents Park
NSW 2143
Sydney 2143
Australia
+6 (12) 87186300
+6 (12) 65813058
Email: techservicesaus@jlg.com

JLG Ground Support Oude
Bunders 1034
Breitwaterstraat 12A
3630 Maasmechelen
Belgium
+32 (0)89 84 82 26
Email: emeaservice@jlg.com

JLG Latino Americana LTDA
Rua Antonia Martins Luiz, 580
Distrito Industrial Joao Narezzi
Indaiatuba-SP 13347-404
Brasil
+55 (19) 3936 7664 (Parts)
+55 (19) 3936 9049 (Service)
Email: comercialpecas@jlg.com
Email: servicios@jlg.com

Oshkosh-JLG (Tianjin)
Equipment Technology LTD
Shanghai Branch
No 465 Xiao Nan Road
Feng Xian District
Shanghai 201204
China
+86 (21) 800 819 0050

JLG Industries Dubai
Jafza View
PO Box 262728, LB 19
20th Floor, Office 05
Jebel Ali, Dubai
+971 (0) 4 884 1131
+971 (0) 4 884 7683
Email: emeaservice@jlg.com

JLG France SAS
Z.I. Guillaume Mon Amy
30204 Fauillet
47400 Tonniens
France
+33 (0) 553 84 85 86
+33 (0) 553 84 85 74
Email: pieces@jlg.com

JLG Deutschland GmbH
Max Planck Str. 21
27721 Ritterhude-Ihlpohl
Germany
+49 (0) 421 69350-0
+49 (0) 421 69350-45
Email: german-parts@jlg.com

JLG Equipment Services Ltd.
Rm 1107 Landmark North
39 Lung Sum Avenue
Sheung Shui N. T.
Hong Kong
+(852) 2639 5783
+(852) 2639 5797

JLG Industries (Italia) S. R. L.
Via Po, 22
IT-20010 Pregnana Milanese (MI)
Italy
+39 (0) 2 9359 5210
+39 (0) 2 9359 5211
Email: ricambi@jlg.com

JLG EMEA B.V.
Polaris Avenue 63
2132 JH Hoofddorp
The Netherlands
+31 (0) 23 565 5665
Email: emeaservice@jlg.com

JLG NZ Access Equipment & Services
2B Fisher Crescent
Mt Wellington 1060
Auckland, New Zealand
+6 (12) 87186300
+6 (12) 65813058
Email: techservicesaus@jlg.com

JLG Industries
Vahutinskoe shosse 24b
Khimki,
Moscow Region 141400
Russia Federation
+7 (499) 922 06 99
+7 (499) 922 06 99

Oshkosh-JLG Singapore
Technology Equipment P te Ltd.
35 Tuas Avenue 2
Jurong Industrial Estate
Singapore 639454
+65 6591 9030
+65 6591 9045
Email: SEA@jlg.com

JLG Iberica S. L.
Trapadella, 2
Pol. Ind. Castellbisbal Sur
08755 Castellbisbal
Barcelona
Spain
+34 (0) 93 772 47 00
+34 (0) 93 77 117 62
Email: parts_iberica@jlg.com

JLG Sverige AB
Enkopingsvagen 150
17627 Jarfalla
Sweden
+46 (0) 8 506 595 00
+46 (0) 8 506 595 27
Email: nordicsupport@jlg.com

JLG Industries (UK) Ltd.
Bentley House
Bentley Avenue
Middleton, Greater Manchester
M24 2GP
United Kingdom
+44 (0) 161 654 1000
+44 (0) 161 654 1003
Email: ukparts@jlg.com

www.jlg.com