



# Illustrated Parts Manual

**Model**  
**26MRT**

**P/N**  
**3120792**

*October 17, 2013*

**ANSI**



An Oshkosh Corporation Company



# REVISION LOG

February 4, 2000 - Original Issue Of Manual (Was part of complete Manual #3123003) (Edited to 0010520 Revision 37)

October 30, 2000 - Revised (Edited to 0010520 Revision 37)

February 25, 2004 - Revised

September 15, 2007 - Revised

June 24, 2011 - Revised

October 17, 2013 - Revised

# REVISION LOG

# TABLE OF CONTENTS

FIGURE NO.	TITLE	PAGE NO.
<b>SECTION 1 - FRAME</b>		<b>1-1</b>
1-1	FRAME AND STEERING INSTALLATION	1-2
1-2	REAR DRIVE INSTALLATION	1-4
1-3	DRIVE MOTOR ASSEMBLY	1-8
1-4	DRIVE BRAKE ASSEMBLY	1-10
1-5	DRIVE AXLE ASSEMBLY	1-12
1-6	FRAME MOUNTED COMPONENTS INSTALLATION	1-14
1-7	HYDRAULIC DRIVE GENERATOR INSTALLATION	1-18
<b>SECTION 2 - GROUND COMPONENTS</b>		<b>2-1</b>
2-1	CONTROL VALVES & TANKS INSTALLATION	2-2
2-2	CONTROL VALVES ASSEMBLY	2-6
2-3	VANGUARD GAS ENGINE INSTALLATION (PRIOR TO S/N 48113)	2-8
2-4	VANGUARD GAS ENGINE INSTALLATION (S/N 48113 TO PRESENT)	2-14
2-5	DUAL FUEL INSTALLATION (VANGUARD MACHINES ONLY)	2-18
2-6	YANMAR DIESEL ENGINE INSTALLATION	2-22
2-7	PISTON PUMP ASSEMBLY	2-26
2-8	GEAR PUMP ASSEMBLY (YANMAR ENGINE)	2-28
2-9	GROUND CONTROLS INSTALLATION	2-30
2-10	HOOD INSTALLATIONS	2-36
<b>SECTION 3 - SCISSOR ARMS</b>		<b>3-1</b>
3-1	SCISSOR ARMS INSTALLATION	3-2
<b>SECTION 4 - PLATFORM</b>		<b>4-1</b>
4-1	PLATFORM COMPONENTS INSTALLATION - MANUALLY OPERATED EXTENSION	4-2
4-2	STANDARD HANDRAILS & EXTENSION INSTALLATION (MANUALLY OPERATED PLATFORM)	4-6
4-3	WIDE PLATFORM HANDRAILS & EXTENSION INSTALLATION (MANUALLY OPERATED PLATFORM)	4-10
4-4	FOLDDOWN HANDRAILS & EXTENSION INSTALLATION (MANUALLY OPERATED PLATFORM)	4-14
4-5	PLATFORM CONSOLE BOX ASSEMBLY	4-18
4-6	CONTROLLER ASSEMBLY (PRIOR TO S/N 58990)	4-22
4-7	CONTROLLER ASSEMBLY (S/N 58990 TO PRESENT)	4-24
<b>SECTION 5 - CYLINDERS</b>		<b>5-1</b>
5-1	LIFT CYLINDER COMPONENTS ASSEMBLY (PRIOR TO S/N 26916)	5-2
5-2	LIFT CYLINDER COMPONENTS ASSEMBLY (S/N 26916 TO PRESENT)	5-6
5-3	STEER CYLINDER ASSEMBLY	5-10
<b>SECTION 6 - HYDRAULIC</b>		<b>6-1</b>
6-1	HYDRAULIC DIAGRAM - STANDARD	6-2
6-2	HYDRAULIC DIAGRAM LIST	6-6

# TABLE OF CONTENTS

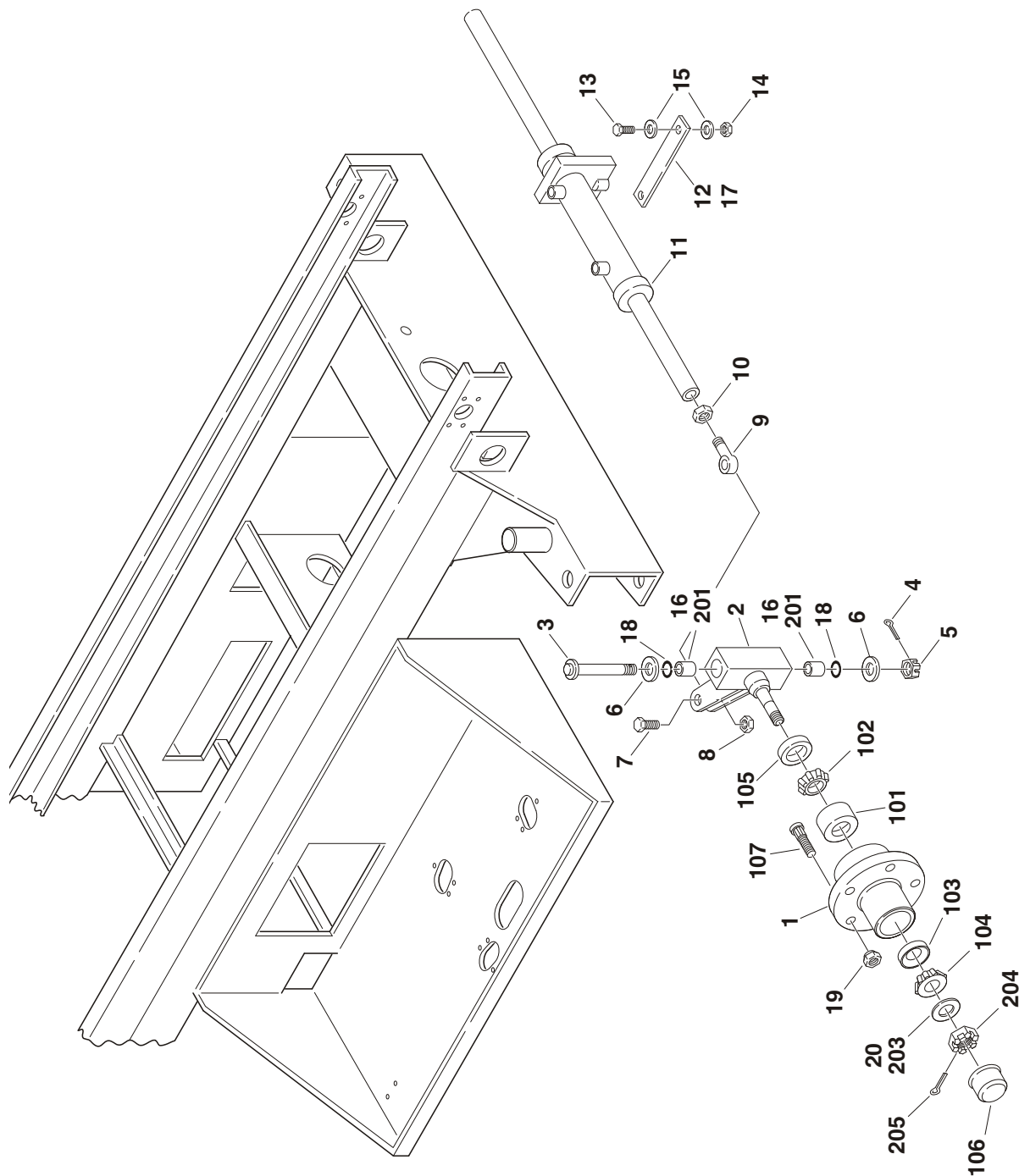
<b>FIGURE NO.</b>	<b>TITLE</b>	<b>PAGE NO.</b>
<b>SECTION 7 - ELECTRICAL</b>		<b>7-1</b>
7-1	ELECTRICAL DIAGRAM LIST	7-2
7-2	ELECTRICAL SCHEMATIC - VANGUARD	7-4
7-3	ELECTRICAL SCHEMATIC - YANMAR	7-6
7-4	HARNESS AND CABLE ASSEMBLIES	7-8
<b>SECTION 8 - DECALS</b>		<b>8-1</b>
8-1	DECALS INSTALLATIONS	8-2
<b>SECTION 9 - RECOMMENDED SERVICE PARTS STOCK</b>		<b>9-1</b>
<b>SECTION 10 - SPECIAL OPTIONS</b>		<b>10-1</b>

# SECTION 1 FRAME

TABLE OF CONTENTS		
FIGURE	DESCRIPTION	PAGE
1-1	Frame And Steering Installation .....	1-2
1-2	Rear Drive Installation .....	1-4
1-3	Drive Motor Assembly .....	1-8
1-4	Drive Brake Assembly .....	1-10
1-5	Drive Axle Assembly .....	1-12
1-6	Frame Mounted Components Installation .....	1-14
1-7	Hydraulic Drive Generator Installation .....	1-18

# SECTION 1 FRAME

FIGURE 1-1. FRAME AND STEERING INSTALLATION





# SECTION 1 FRAME

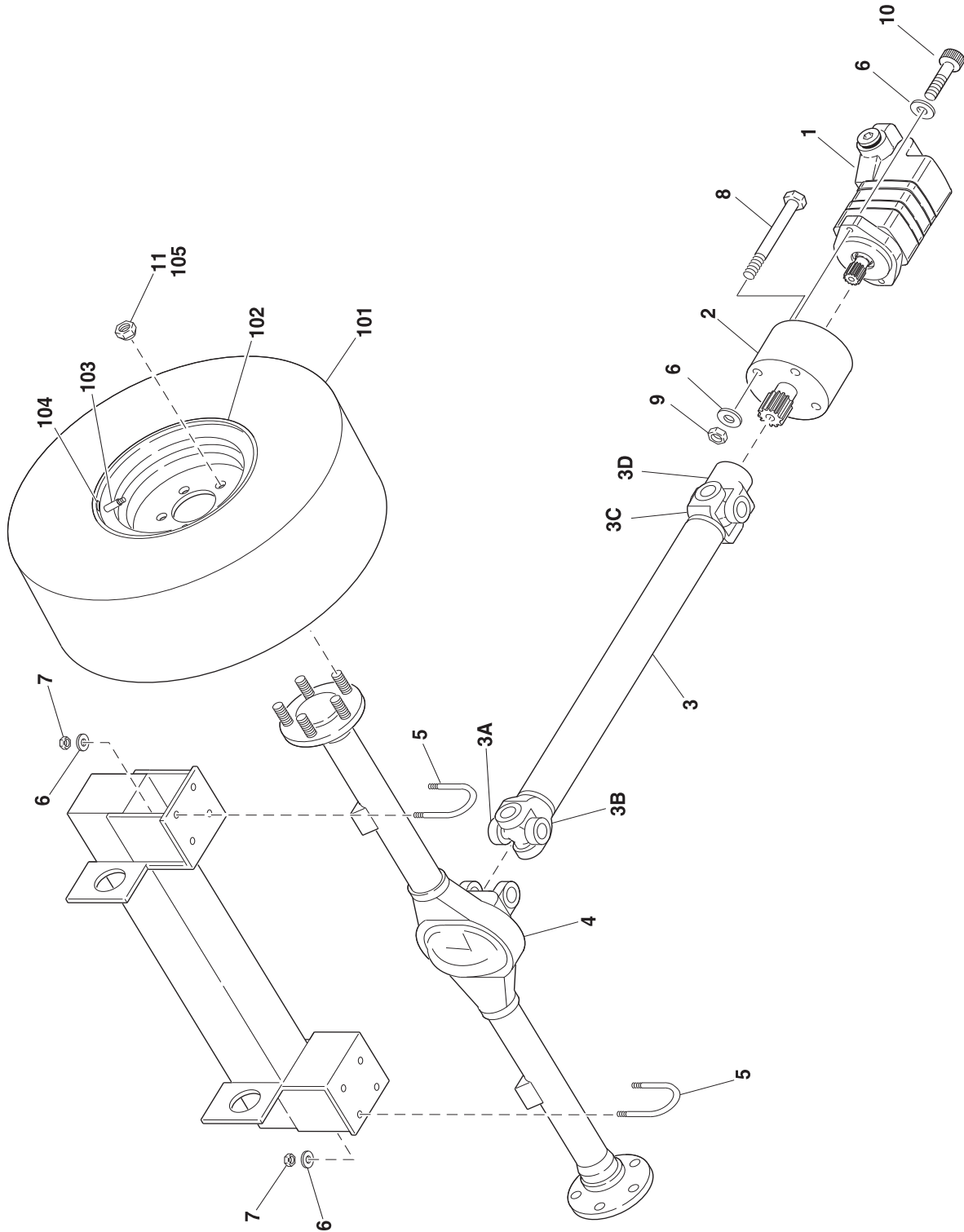
**FIGURE 1-1. FRAME AND STEERING INSTALLATION**

FIG & ITEM #	PART NUMBER	DESCRIPTION	QTY.	REV.
		<b>FRAME WELDMENT OPTIONS:</b>	1	
	2360388	Prior to S/N 27658		
	2360413	S/N 27658 to Present		
	0255118	<b>STEERING &amp; SPINDLES INSTALLATION</b>	Ref.	8
1	2780221	Hub Assembly (Includes Items 101-107)	2	
2	4130286	Spindle Weldment (Includes Items 201-205)	2	
3	3422610	Kingpin	2	
4	3450810	Pin, Cotter 1/4" x 2 1/2"	2	
5	3313003	Nut, Slotted 1 1/4"-7NC	2	
6	0440162	Washer, Thrust	2	
7	0642016	Bolt 5/8"-16NC x 2"	2	
8	3312005	Locknut 5/8"-16NC	2	
9	3841146	Rod-End	2	
10	3322002	Nut, Jam 5/8"-16NC	2	
11		Steer Cylinder Assembly (See Section 5 For Breakdown)	1	
		Options:		
	1683239	Prior to S/N 46538		
	1683697	S/N 46538 to Present		
12	3340644	Pad, Wear	1	
13	0641508	Bolt 5/16"-18NC x 1"	1	
14	3311505	Locknut 5/16"-18NC	1	
15	4751500	Flatwasher 5/16"	2	
16	3020022	Grease	A/R	
17	4070809	Shim	A/R	
18	3780182	O-Ring	4	
19		Nut, Wheel Options:	10	
	3300255	Prior to S/N 32539		
	3300407	S/N 32539 to Present		
20	4752200	Flatwasher 3/4"	2	
	2780221	<b>HUB ASSEMBLY</b>	Ref.	—
101	7012519	Cup, Bearing - Inner (1 Per Hub)	2	
102	7012520	Cone, Bearing - Inner (1 Per Hub)	2	
103	7012521	Cup, Bearing - Outer (1 Per Hub)	2	
104	7012522	Cone, Bearing - Outer (1 Per Hub)	2	
105	7012523	Seal (1 Per Hub)	2	
106	7012524	Cap, Dust (1 Per Hub)	2	
107	7016360	Stud, Wheel (5 Per Hub)	10	
	4130286	<b>SPINDLE WELDMENT</b>	Ref.	—
201	0961621	Bushing, Bronze (2 Per Spindle)	4	
202	Not Used			
203	7012542	Washer (1 Per Spindle)	2	
204	7012541	Nut, Slotted (1 Per Spindle)	2	
205	7012543	Pin, Cotter (1 Per Spindle)	2	

# SECTION 1 FRAME

## SECTION 1 FRAME

FIGURE 1-2. REAR DRIVE INSTALLATION



# SECTION 1 FRAME

**FIGURE 1-2. REAR DRIVE INSTALLATION**

FIG & ITEM #	PART NUMBER	DESCRIPTION	QTY.	REV.
		<b>REAR DRIVE AXLE INSTALLATION OPTIONS:</b>	Ref.	
	0255113	<b>Prior to S/N 27815</b>	Ref.	E
	0256927	<b>S/N 27815 to Present</b>	Ref.	3
1	3160202	Drive Motor Assembly (See Figure 1-3 for Break-down)	1	
2	0920103	Drive Brake Assembly (See Figure 1-4 for Break-down)	1	
3	1360265	Drive Shaft Assembly	1	
3A	7011120	Journal & Bearing Kit	2	
3B	7011121	U-Bolt Assembly	1	
3C	7011122	Yoke	2	
3D	7011123	Yoke, Splined	1	
4		Drive Axle Assembly Options: (See Figure 1-5 for Breakdown)	1	
	0280148	Prior to S/N 27815		
	0280150	S/N 27815 to Present		
5	0630488	U-Bolt	4	
6	4711800	Flatwasher 1/2" (Narrow)	14	
7	3321805	Locknut 1/2"-20NF	8	
8	0641844	Bolt 1/2"-13NC x 5 1/2"	4	
9	3311805	Locknut 1/2"-13NC	4	
10	3931824	Capscrew, Socket Head 1/2"-13NC x 1 1/2"	2	
11	3300255	Nut, Wheel 1/2"-20NF	10	
12	0100011	Loctite #242 (Not Shown)	A/R	
13	3020008	Lube, Gear (Not Shown)	A/R	
14	1120064	Cap, Grease Fitting (Not Shown)	2	
		<b>TIRE AND WHEEL INSTALLATIONS OPTIONS:</b>	Ref.	
	0255961	<b>Standard Pneumatic (26 x 12.00)</b>	Ref.	3
	0256586	<b>Lug Pneumatic (26 x 12.00)</b>	Ref.	2
	0257224	<b>Pneumatic 27 x 10.50 - 15NHS</b>	Ref.	2
	0256694	<b>Standard Foam Filled (26 x 12.00)</b>	Ref.	2
	0256696	<b>Lug Foam Filled (26 x 12.00)</b>	Ref.	2
		Tire & Wheel Assembly Options:	A/R	
	4520168	26 x 12.00 Multi-Trac (Pneumatic)		
	4520169	26 x 12.00 Tru-Power (Right Side) (Pneumatic)		
	4520170	26 x 12.00 Tru-Power (Left Side) (Pneumatic)		
	4520194	27 x 10.50 Lug Tread (Right Side) (Pneumatic)		
	4520195	27 x 10.50 Lug Tread (Left Side) (Pneumatic)		
	4520185	26 x 12.00 Multi-Trac (Foam Filled)		
	4520186	26 x 12.00 Tru-Power (Right Side) (Foam Filled)		
	4520187	26 x 12.00 Tru-Power (Left Side) (Foam Filled)		

# SECTION 1 FRAME

FIGURE 1-2. REAR DRIVE INSTALLATION (CONTINUED)

FIG & ITEM #	PART NUMBER	DESCRIPTION	QTY.	REV.
		<b>Note: Assemblies may require ballast/foam filling to manufacturer's specifications prior to installing on a machine. Refer to Operation &amp; Safety or Service &amp; Maintenance Manuals. Purchase individual tire and/or rim only if able to foam fill tire &amp; wheel assembly, otherwise, purchase complete assembly.</b>	Ref.	
		<b>TIRE AND WHEEL ASSEMBLY COMPONENTS</b>	Ref.	
101		Tire Options:	A/R	
	7018701	Tire - Multi Trac C/S 26 x 12.00		
	7018702	Tire - Tru Power TL 26 x 12.00		
	7020112	Tire - Lug Tread 27 x 10.50		
102		Rim Options:	A/R	
	7018700	Rim - 12.00		
	7020113	Rim - 10.50		
103	4640113	Valve, Air	A/R	
104	1703067	Decal - Tire Pressure (40PSI)	A/R	
105	3300407	Nut, Wheel 1/2"-20NF (S/N 44598 to Present)	10	

# SECTION 1 FRAME

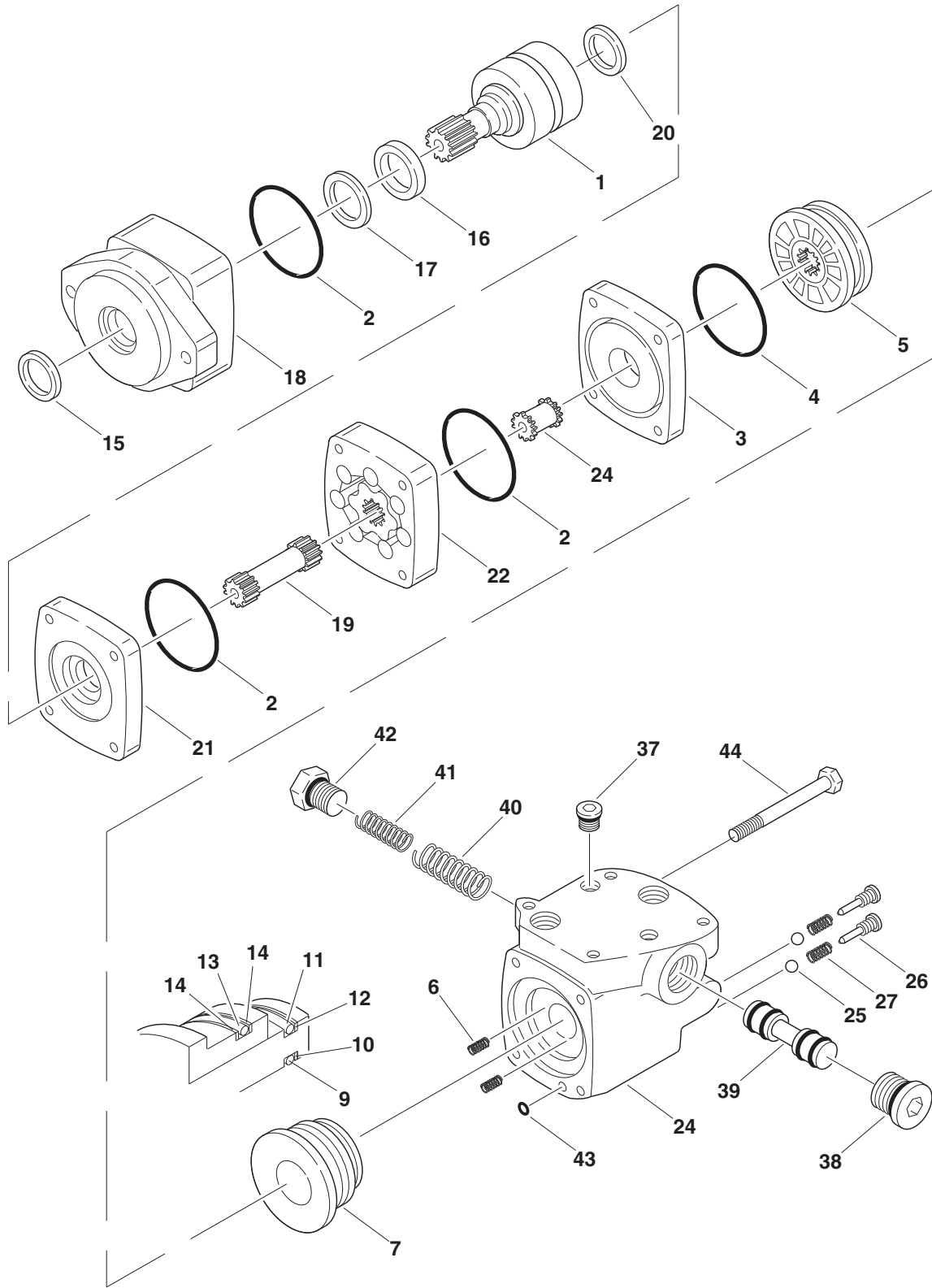
FIGURE 1-2. REAR DRIVE INSTALLATION (CONTINUED)

FIG & ITEM #	PART NUMBER	DESCRIPTION	QTY.	REV.

**S  
E  
C  
T  
I  
O  
N  
  
1  
  
F  
R  
A  
M  
E**

# SECTION 1 FRAME

FIGURE 1-3. DRIVE MOTOR ASSEMBLY



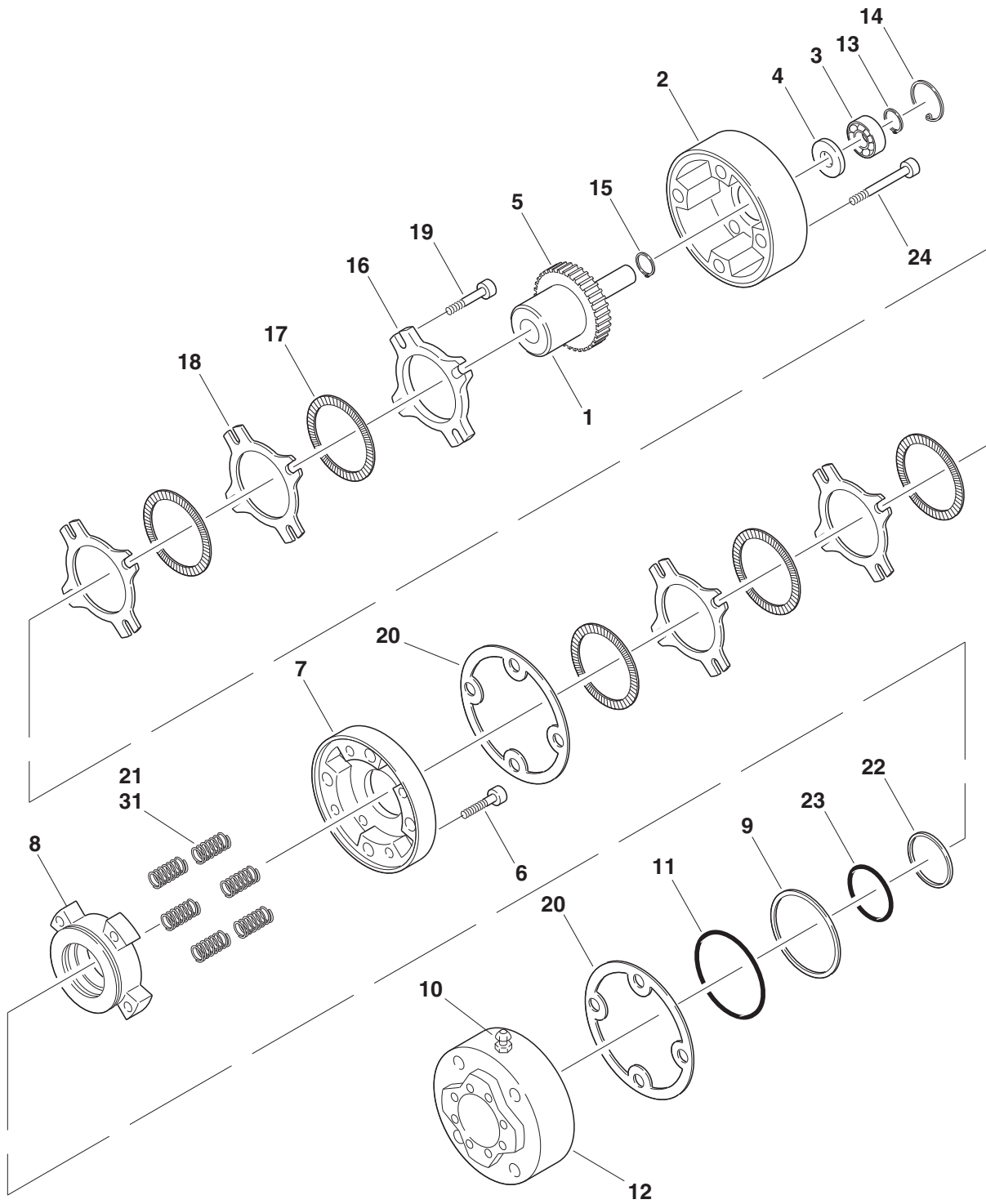
# SECTION 1 FRAME

**FIGURE 1-3. DRIVE MOTOR ASSEMBLY**

FIG & ITEM #	PART NUMBER	DESCRIPTION	QTY.	REV.
	3160202	<b>DRIVE MOTOR ASSEMBLY</b>	Ref.	A
1	7014901	Shaft Sub-Assembly	1	
2	Kit	Seal	3	
3	7014902	Plate, Valve	1	
4	Kit	Seal	1	
5	7014903	Valve	1	
6	7009913	Spring, Compression	2	
7	7014904	Ring, Balance	1	
8		Pin, Spring (Part of Item #7)	2	
9	Kit	O-Ring	1	
10	Kit	Ring, Back-Up	1	
11	Kit	O-Ring	1	
12	Kit	Ring, Back-Up	1	
13	Kit	O-Ring	1	
14	Kit	Ring, Back-Up	2	
15	Kit	Seal, Dust	1	
16	Kit	Seal, Shaft	1	
17	Kit	Ring, Back-Up	1	
18	7009918	Housing, Bearing	1	
19	7009979	Drive	1	
20	Kit	Seal, Face	1	
21	7014905	Plate, Wear	1	
22	7009980	Geroler Assembly	1	
23	7009905	Drive, Valve	1	
24	Not Serviced	Housing, Valve	1	
25	7000191	Ball, Steel	2	
26	7002159	Plug/O-Ring Assembly	2	
27	7000192	Spring, Compression	2	
28 to 36	Not Used			
37	7002157	Plug/O-Ring Assembly	1	
38	7014906	Plug/O-Ring Assembly	1	
39	7014907	Spool, Control	1	
40	7014908	Spring, Compression	1	
41	7014909	Spring, Compression	1	
42	7014910	Plug/O-Ring Assembly	1	
43	Kit	Seal	1	
44	Not Serviced	Bolt	4	
45	7009940	Plug/O-Ring Assembly (Not Shown)	1	
	7014911	Seal Kit (Includes Items 2, 4, 9-14, 20, 43 & O-Rings on Plug Assemblies)		

# SECTION 1 FRAME

FIGURE 1-4. DRIVE BRAKE ASSEMBLY



SECTION 1 FRAME



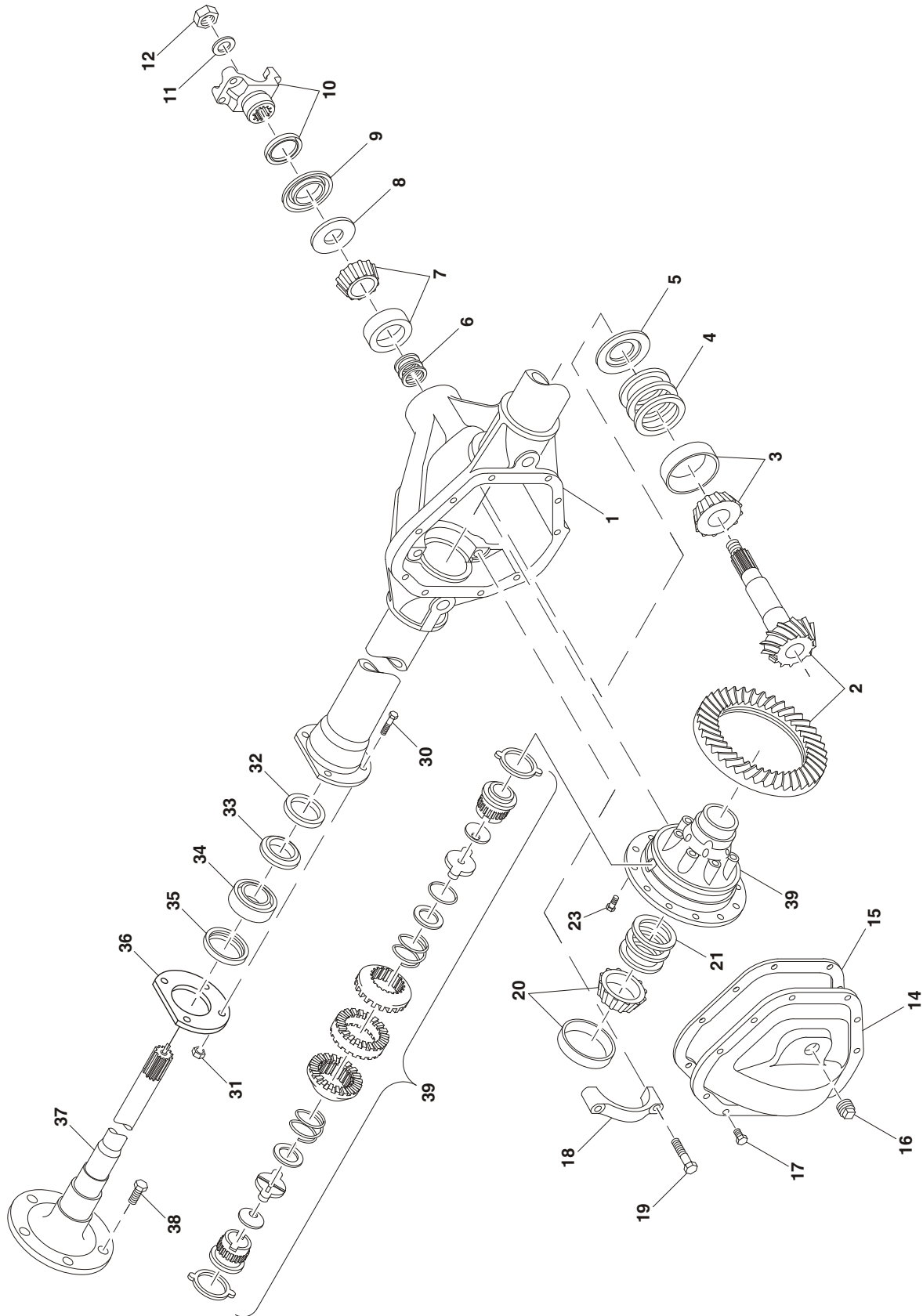
# SECTION 1 FRAME

**FIGURE 1-4. DRIVE BRAKE ASSEMBLY**

FIG & ITEM #	PART NUMBER	DESCRIPTION	QTY.	REV.
	0920103	<b>DRIVE BRAKE ASSEMBLY</b>	Ref.	—
1	7011740	Shaft	1	
2	7011739	Plate, Cover	1	
3	7007941	Bearing	1	
4	Kit	Seal, Oil	1	
5	7011738	Spline, Outer	1	
6	7007937	Capscrew, Socket Head	4	
7	7011737	Plate, Spring	1	
8	7011736	Piston	1	
9	Kit	Ring, Back-Up	1	
10	7009774	Screw, Bleeder	1	
11	Kit	O-Ring	1	
12	7011735	Plate, Pressure	1	
13	7011734	Ring, Retainer	1	
14	7007943	Ring, Retainer	1	
15	7007954	Ring, Retainer	1	
16	Kit	Primary	1	
17	Kit	Rotor	5	
18	Kit	Stator	4	
19	7018601	Bolt, Shoulder	4	
20	Kit	Seal, Case	2	
21	Kit	Spring (Red)	4	
22	Kit	Ring, Back-Up	1	
23	Kit	O-Ring	1	
24	7018600	Capscrew, Socket Head	2	
25 to 29	Not Used			
30	7011710	Gasket (Not Shown)	1	
31	Kit	Spring (Blue)	2	
	7011741	Lining Repair Kit (Includes Items 16, 17, 18, 20 & 30)	1	
	7011742	Bearing Repair Kit (Includes Items 3, 4, 20 & 30)	1	
	7011743	O-Ring Repair Kit (Includes Items 4, 9, 11, 20, 22, 23 & 30)	1	
	7011744	Spring Repair Kit (Includes Items 20, 21, 30 & 31)	1	

# SECTION 1 FRAME

FIGURE 1-5. DRIVE AXLE ASSEMBLY



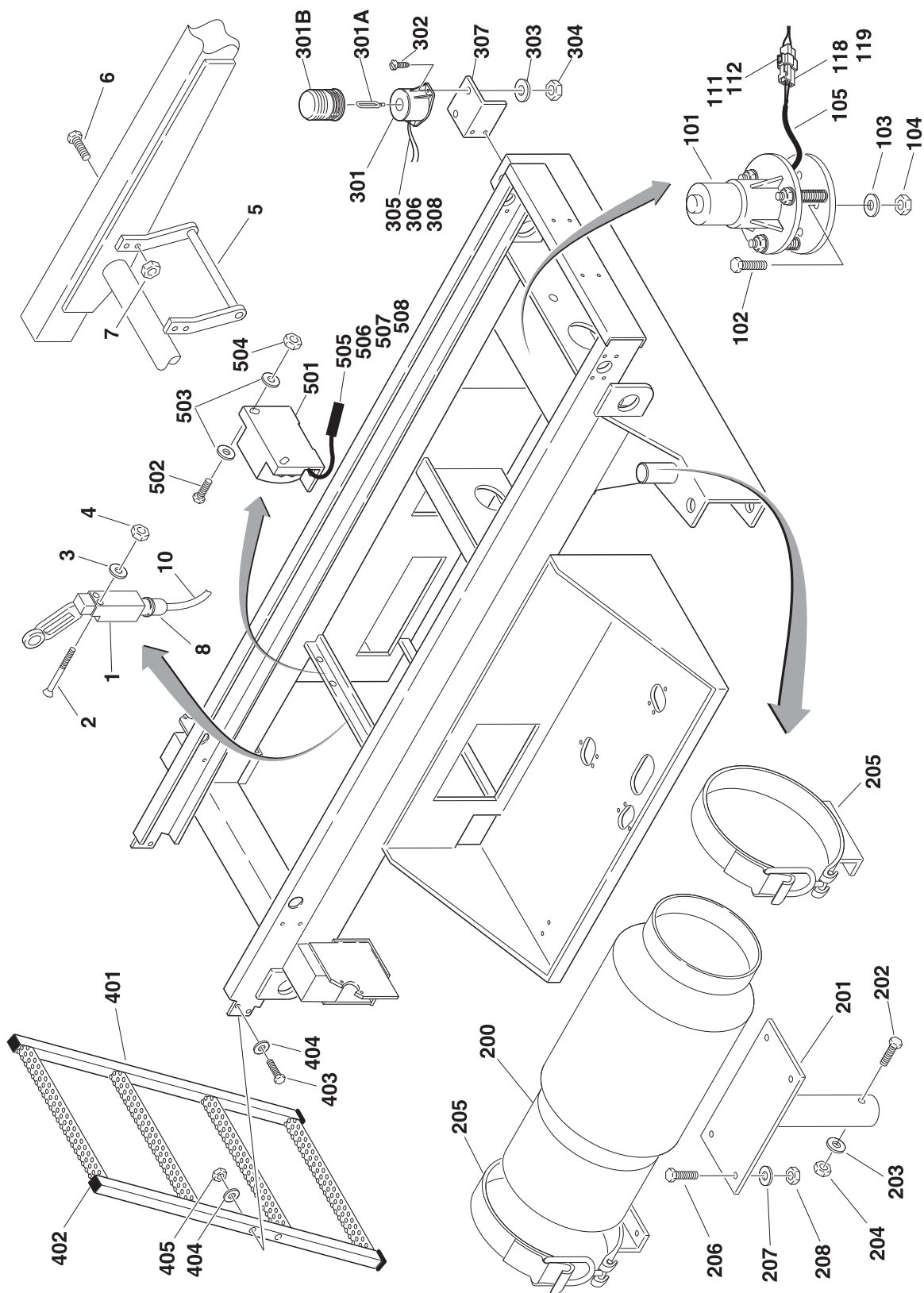
# SECTION 1 FRAME

**FIGURE 1-5. DRIVE AXLE ASSEMBLY**

FIG & ITEM #	PART NUMBER	DESCRIPTION	QTY.	REV.
		<b>DRIVE AXLE ASSEMBLY OPTIONS:</b>	Ref.	
	0280148	<b>Prior to S/N 27815</b>	Ref.	—
	0280150	<b>S/N 27815 to Present</b>	Ref.	—
1	7019033	Housing	1	
2	7019000	Drive Gear & Pinion	1	
3	7019001	Bearing, Inner Pinion	1	
4	Kit	Shim, Drive Pinion Adjusting	A/R	
5	7019003	Baffle, Pinion Bearing	1	
6	Kit	Shim, Pinion Bearing Adjusting	A/R	
7	7019004	Bearing, Outer Pinion	1	
8	7019005	Slinger, Outer Pinion Bearing	1	
9	7019006	Seal, Pinion	1	
10	7019007	Yoke Assembly	1	
11	7019008	Washer, Pinion Nut	1	
12	7019009	Nut, Pinion	1	
13	Not Used			
14	7019010	Cover, Carrier	1	
15	7019011	Gasket	1	
	7019012	Sealant (Not Shown)	A/R	
16	7019013	Plug	1	
17	7019014	Bolt, Carrier Cover	10	
18	7019015	Cap, Differential Bearing	2	
19	7019016	Bolt, Differential Bearing Cap	4	
20	7019017	Bearing, Differential	2	
21	Kit	Shim, Differential Bearing	A/R	
22	Not Used			
23	7019019	Bolt, Differential Case	10	
24 to 29	Not Used			
30	7019020	Bolt, Axle Shaft	8	
31	7019021	Nut, Axle Shaft	8	
32	7019022	Seal, Inboard Shaft	2	
33	7019023	Ring, Wheel Bearing Retaining	2	
34	7019024	Bearing, Axle Shaft Wheel	2	
35	7019025	Seal, Outboard Shaft	2	
36	7019026	Retainer, Axle Shaft	2	
37	7019027	Shaft, Axle	2	
38	7019034	Bolt, Wheel	10	
39	7019029	Differential & Case Assembly (Sold as an Assembly Only)	1	
	7019002	Pinion & Bearing Adjusting Shims Kit (Includes Items 4, 6, 11, 12 & 15)	1	
	7019018	Differential Adjusting Shims Kit (Includes Items 15 & 21)	1	

# SECTION 1 FRAME

FIGURE 1-6. FRAME MOUNTED COMPONENTS INSTALLATION



# SECTION 1 FRAME

**FIGURE 1-6. FRAME MOUNTED COMPONENTS INSTALLATION**

FIG & ITEM #	PART NUMBER	DESCRIPTION	QTY.	REV.
		<b>LIMIT SWITCH INSTALLATIONS</b>	Ref.	
	0256354	<b>Hi-Drive (Prior to S/N 37222)</b>	Ref.	A
	0257590	<b>Hi-Drive (S/N 37222 to Present)</b>	Ref.	1
	0256692	<b>Overload Protection</b>	Ref.	—
1	4360397	Switch, Limit	1	
2	3911024	Screw, Machine #10-24NC x 1 1/2"	2	
3	4751000	Flatwasher #10	2	
4	3311005	Locknut #10-24NC	2	
5	4845077	Actuator, Weldment (Prior to S/N 37222)	1	
6	0641508	Bolt 5/16"-18NC x 1" (Prior to S/N 37222)	2	
7	3311505	Locknut 5/16"-18NC (Prior to S/N 37222)	2	
8	4460052	Connector, Strain Relief	1	
9	Not Used			
10	1060341	Cable, Electrical - 16/2	A/R	
		<b>TILT SWITCH INDICATOR INSTALLATIONS</b>	Ref.	
	0256426	<b>Common (Prior to S/N 38569)</b>	Ref.	A
	0257219	<b>Common (S/N 38569 to Present)</b>	Ref.	2
	0256543	<b>Latin American &amp; Japanese (Prior to S/N 38569)</b>	Ref.	A
	0257217	<b>Latin American &amp; Japanese (S/N 38569 to Present)</b>	Ref.	2
101		Switch, Tilt Indicator Options:	1	
	4360362	Prior to S/N 38569		
	4360348	S/N 38569 to Present		
102	0641407	Bolt 1/4"-20NC x 7/8"	2	
103	4761400	Lockwasher 1/4"	2	
104	3311401	Nut 1/4"-20NC	2	
105	1060330	Cable, Electrical - 16/3	6ft/1.8m	
106 to 110	Not Used			
111	4460445	Connector - 3 Pin	1	
112	4460227	Pin	3	
113 to 117	Not Used			
118	4460326	Connector - 3 Pin	1	
119	4460226	Socket, Female	3	
	0256353	<b>LP TANK &amp; BRACKETS INSTALLATION</b>	Ref.	—
200	4400040	Tank, LP	2	
201	4844185	Bracket, Tank Mounting	2	
202	0641522	Bolt 5/16"-18NC x 2 3/4"	2	
203	4751500	Flatwasher 5/16"	2	
204	3311505	Locknut 5/16"-18NC	2	
205	1320023	Clamp	2	
206	0641608	Bolt 3/8"-16NC x 1"	8	
207	4751600	Flatwasher 3/8"	8	
208	3311605	Locknut 3/8"-16NC	8	

# SECTION 1 FRAME

**FIGURE 1-6. FRAME MOUNTED COMPONENTS INSTALLATION (CONTINUED)**

FIG & ITEM #	PART NUMBER	DESCRIPTION	QTY.	REV.
	0256684	<b>BEACON LIGHT INSTALLATION (OPTIONAL)</b>	Ref.	3
301	2920146	Beacon Light Assembly	1	
301A	7016319	Bulb, Flash	1	
301B	7016372	Lens	1	
302	0721006	Bolt #10-24NC x 3/4"	2	
303	4761000	Lockwasher #10	4	
304	3311001	Nut #10-24NC	2	
305	1060341	Cable, Electrical - 16-2	10ft/3m	
306	4460035	Terminal, Butt	2	
307	0902322	Bracket, Beacon	1	
308	2820036	Loom (S/N 48790 to Present)	2ft/.6m	
	0256722	<b>LADDER INSTALLATION</b>	Ref.	2
401		Ladder Weldment Options:	1	
	4845388	Prior to S/N 58034		
	4845911	S/N 58034 to Present		
402	3520071	Cap	4	
403	0641624	Bolt 3/8"-16NC x 3"	4	
404	4751600	Flatwasher 3/8"	8	
405	3311605	Locknut 3/8"-16NC	4	
		<b>ALARM INSTALLATIONS</b>		
	0256492	<b>Descent</b>	Ref.	2
	0256493	<b>Motion</b>	Ref.	3
	0256491	<b>Travel</b>	Ref.	3
501	0140024	Alarm	1	
502		Bolt Options:	2	
	0641408	Bolt 1/4"-20NC x 1" (Prior to S/N 48790)		
	0641508	Bolt 5/16"-18NC x 1" (S/N 48790 to Present)		
503	4751400	Flatwasher 1/4"	4	
504	3311405	Locknut 1/4"-20NC	2	
505	3990010	Diode 6 Amp (Motion Alarm Only)	2	
506	4460035	Terminal, Electrical	2	
507	1060341	Cable, Electrical - 16/2	4ft/1.2m	
508	2820036	Loom (S/N 48790 to Present)	2ft/.6m	

# SECTION 1 FRAME

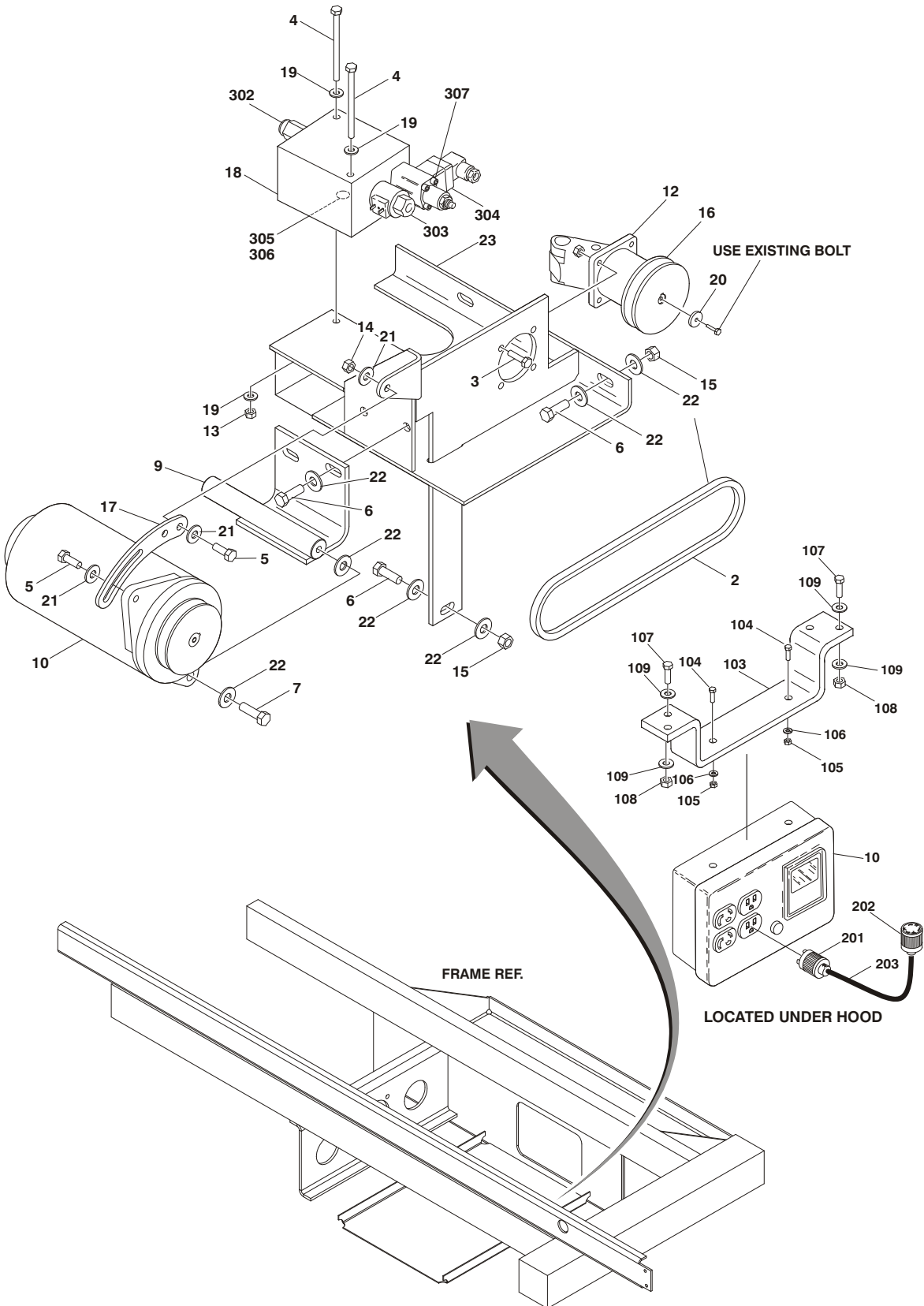
FIGURE 1-6. FRAME MOUNTED COMPONENTS INSTALLATION (CONTINUED)

FIG & ITEM #	PART NUMBER	DESCRIPTION	QTY.	REV.

**S  
E  
C  
T  
I  
O  
N  
  
1  
  
F  
R  
A  
M  
E**

# SECTION 1 FRAME

FIGURE 1-7. HYDRAULIC DRIVE GENERATOR INSTALLATION





# SECTION 1 FRAME

**FIGURE 1-7. HYDRAULIC DRIVE GENERATOR INSTALLATION**

FIG & ITEM #	PART NUMBER	DESCRIPTION	QTY.	REV.
	0258756	<b>HYDRAULIC DRIVE GENERATOR INSTALLATION</b>	Ref.	B
1	Not Used			
2	0480034	V-Belt	1	
3	0641408	Bolt 1/4"-20NC x 1"	4	
4	0641430	Bolt 1/4"-20NC x 3 3/4"	2	
5	0641507	Bolt 5/16"-18NC x 7/8"	2	
6	0641609	Bolt 3/8"-16NC x 1 1/8"	5	
7	0681610	Bolt 3/8"-16NC x 1 1/4"	2	
8	Not Used			
9	0901650	Bracket, Mounting	1	
10	2460011	110 Volt Generator	1	
	7003657	Control Box Assembly	1	
	7010699	Voltmeter	1	
	7020194	Breaker, Circuit	1	
	7012558	Generator Assembly	1	
	7026199	Armature with Slip Rings	1	
	7020108	Brushes	4	
	7020109	Holdings, Brush	4	
	7012513	Cap, Brush Holder	4	
	3580134	Pulley	1	
11	Not Used			
12	3160235	Motor	1	
13	3311405	Locknut 1/4"-20NC	6	
14	3311505	Locknut 5/16"-18NC	1	
15	3311605	Locknut 3/8"-16NC	5	
16	3580273	Pulley	1	
17	4340569	Support, Mounting	1	
18	4641100	Valve (See Items 301 to 307 for Breakdown)	1	
19	4711400	Flatwasher 1/4" (Narrow)	4	
20	4740468	Washer (Special)	1	
21	4751500	Flatwasher 5/16" (Wide)	3	
22	4751600	Flatwasher 3/8" (Wide)	12	
23	4845865	Weldment, Generator Mount	1	
24 to 25	Not Used			
26	0100011	Loctite #242 (Not Shown)	A/R	
	0259057	<b>110VOLT GENERATOR CONTROL BOX INSTALLATION</b>	Ref.	2
101	Not Used			
102	Not Used			
103	0902515	Bracket	1	
104	3911016	Screw, Round Head #10-24NC x 1"	2	
105	3311001	Nut #10-24NC	2	
106	4761000	Lockwasher #10	2	
107	0641406	Bolt 1/4"-20NC x 3/4"	4	
108	3311405	Locknut 1/4"-20NC	4	
109	4751400	Flatwasher 1/4"	8	

# SECTION 1 FRAME

FIGURE 1-7. HYDRAULIC DRIVE GENERATOR INSTALLATION (CONTINUED)

FIG & ITEM #	PART NUMBER	DESCRIPTION	QTY.	REV.
	4922232	<b>CABLE HARNESS 110VOLT</b>	Ref.	1
201	4460138	Plug, Male	1	
202	4460779	Plug, Female	1	
203	1060308	Cable 12/3	7ft/2.1m	
	4641100	<b>HYDRAULIC VALVE ASSEMBLY</b>	Ref.	A
301	Not Serviced	Manifold Assembly	1	
302	7021617	Cartridge	1	
	7012942	Seal Kit - 7021617 Cartridge	1	
303	7017453	Cartridge Less Coil	1	
	7017402	Seal Kit - 7017453 Cartridge	1	
	7012539	Coil	1	
304	7021370	Cartridge	1	
305	7021372	Orifice (0.4mm)	1	
306	7018905	Plug	1	
307	7021371	Screw #8-32 x 1 3/4"	4	

**SECTION 1 FRAME**

# SECTION 2 GROUND COMPONENTS

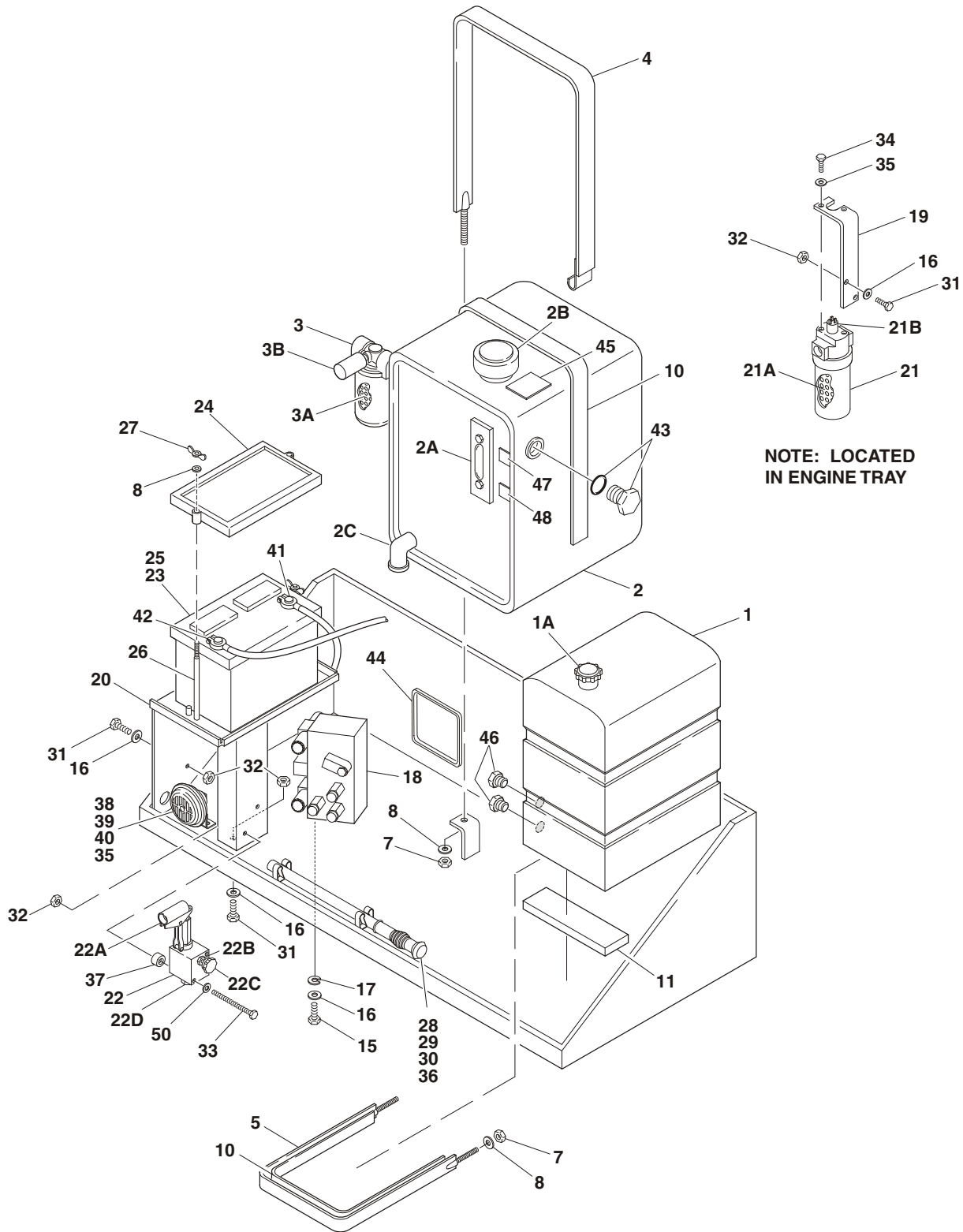
**SECTION 2 GROUND COMPONENTS**

<b>TABLE OF CONTENTS</b>		
<b>FIGURE</b>	<b>DESCRIPTION</b>	<b>PAGE</b>
2-1	Control Valves & Tanks Installation . . . . .	2-2
2-2	Control Valve Assembly . . . . .	2-6
2-3	Vanguard Gas Engine Installation (Prior to S/N 48113) . . . . .	2-8
2-4	Vanguard Gas Engine Installation (S/N 48113 to Present) . . . . .	2-14
2-5	Dual Fuel Installation (Vanguard Machines Only) . . . . .	2-18
2-6	Yanmar Diesel Engine Installation . . . . .	2-22
2-7	Piston Pump Assembly . . . . .	2-26
2-8	Gear Pump Assembly (Yanmar Engine) . . . . .	2-28
2-9	Ground Control Installation . . . . .	2-30
2-10	Hood Installations . . . . .	2-36

# SECTION 2 GROUND COMPONENTS

FIGURE 2-1. CONTROL VALVES & TANKS INSTALLATION

SECTION 2 GROUND COMPONENTS



# SECTION 2 GROUND COMPONENTS

**FIGURE 2-1. CONTROL VALVES & TANKS INSTALLATION**

FIG & ITEM #	PART NUMBER	DESCRIPTION	QTY.	REV.
	0256120	<b>VALVES &amp; TANKS INSTALLATION</b>	Ref.	13
1		Tank, Fuel Options:	1	
	4400371	Prior to S/N 37163		
	4400401	S/N 37163 to Present		
1A	1120477	Cap, Fuel	1	
2	4400383	Hydraulic Tank Assembly	1	
2A	7014802	Gauge, Sight	1	
2B	7014803	Breather/Filler	1	
2C	7026544	Elbow, W/Drain Plug	1	
3	2120157	Filter, Oil Return	1	
3A	2120158	Element, Filter	1	
3B	7016313	Switch, Pressure	1	
4	4240118	Strap, Hold-Down (Hydraulic Tank)	1	
5	4240117	Strap, Hold-Down (Fuel Tank)	1	
6	Not Used			
7	3311601	Nut 3/8"-16NC	5	
8	4751600	Flatwasher 3/8"	7	
9	0100011	Loctite #242 (Not Shown)	A/R	
10		Molding Options:		
	4280295	Strip, Bumper (Prior to S/N 37163)	5ft/1.5m	
	4420037	Molding, Rubber 1" (S/N 37163 to Present)	7ft/2.1m	
11	4420038	Molding, Rubber 2"	2ft/0.6m	
12 to 14	Not Used			
15	0641506	Bolt 5/16"-18NC x 3/4"	3	
16	4751500	Flatwasher 5/16"	13	
17	4761500	Lockwasher 5/16"	3	
18	4640977	Control Valve Assembly (See Figure 2-2 for Breakdown)	1	
19	0902289	Bracket, Mounting - Filter	1	
20	4845337	Bracket, Mounting - Battery	1	
21	2120146	Filter, Oil - Pressure	1	
21A	2120150	Element, Filter	1	
21B	7016312	Switch, Indicator	1	
22	4640859	Manual Descent Valve Assembly	1	
22A	7012952	Cartridge, Pump	1	
22B	7012954	Cartridge, Needle Valve	1	
	7012953	Seal Kit - 7012954 Cartridge	1	
22C	7012961	Knob	1	
22D	7012955	Cartridge, Check	1	
	7012940	Seal Kit - 7012955 Cartridge	1	
23	0400003	Battery	1	
24	0400002	Hold-Down, Battery	1	
24A	2910479	Clips, Hold-Down (Not Shown)	4	
25	3980003	Seat, Battery	1	
26	0630370	Rod, Tie-Down	2	
27	3300029	Wingnut 3/8"-16NC	2	
28	2560123	Grip, Handle	1	
29	2560122	Handle, Manual Descent Valve	1	

# SECTION 2 GROUND COMPONENTS

**FIGURE 2-1. CONTROL VALVES & TANKS INSTALLATION (CONTINUED)**

**SECTION 2 GROUND COMPONENTS**

FIG & ITEM #	PART NUMBER	DESCRIPTION	QTY.	REV.
30	1380136	Clip, Mounting	2	
31	0641508	Bolt 5/16"-18NC x 1"	5	
32	3311505	Locknut 5/16"-18NC	7	
33	0641530	Bolt 5/16"-18NC x 3 3/4"	2	
34	0651404	Bolt 1/4"-28NF x 1/2"	2	
35	4711400	Flatwasher 1/4" (Narrow)	2	
36	3820019	Rivet	2	
37	4566987	Tube, Spacer	2	
38	0140001	Horn	1	
39	0641406	Bolt 1/4"-20NC x 3/4"	1	
40	3311405	Locknut 1/4"-20NC	1	
41	1060360	Cable, Battery (Battery to Ground)	1	
42	1060632	Cable, Battery (Battery to Starter Relay)	1	
43	2220240	Plug, O-Ring	2	
44	4060807	Flex-Trim	9ft/2.7m	
45	1701504	Decal - Hydraulic Fluid	1	
46	3300233	Plug, O-Ring	2	
47	1701502	Hydraulic Oil Level (High)	1	
48	1701503	Hydraulic Oil Level (Low)	1	
49	0100001	Adhesive (Not Shown)	A/R	
50	4711500	Flatwasher (Narrow) (S/N 62148 to Present)	4	

# SECTION 2 GROUND COMPONENTS

FIGURE 2-1. CONTROL VALVES & TANKS INSTALLATION (CONTINUED)

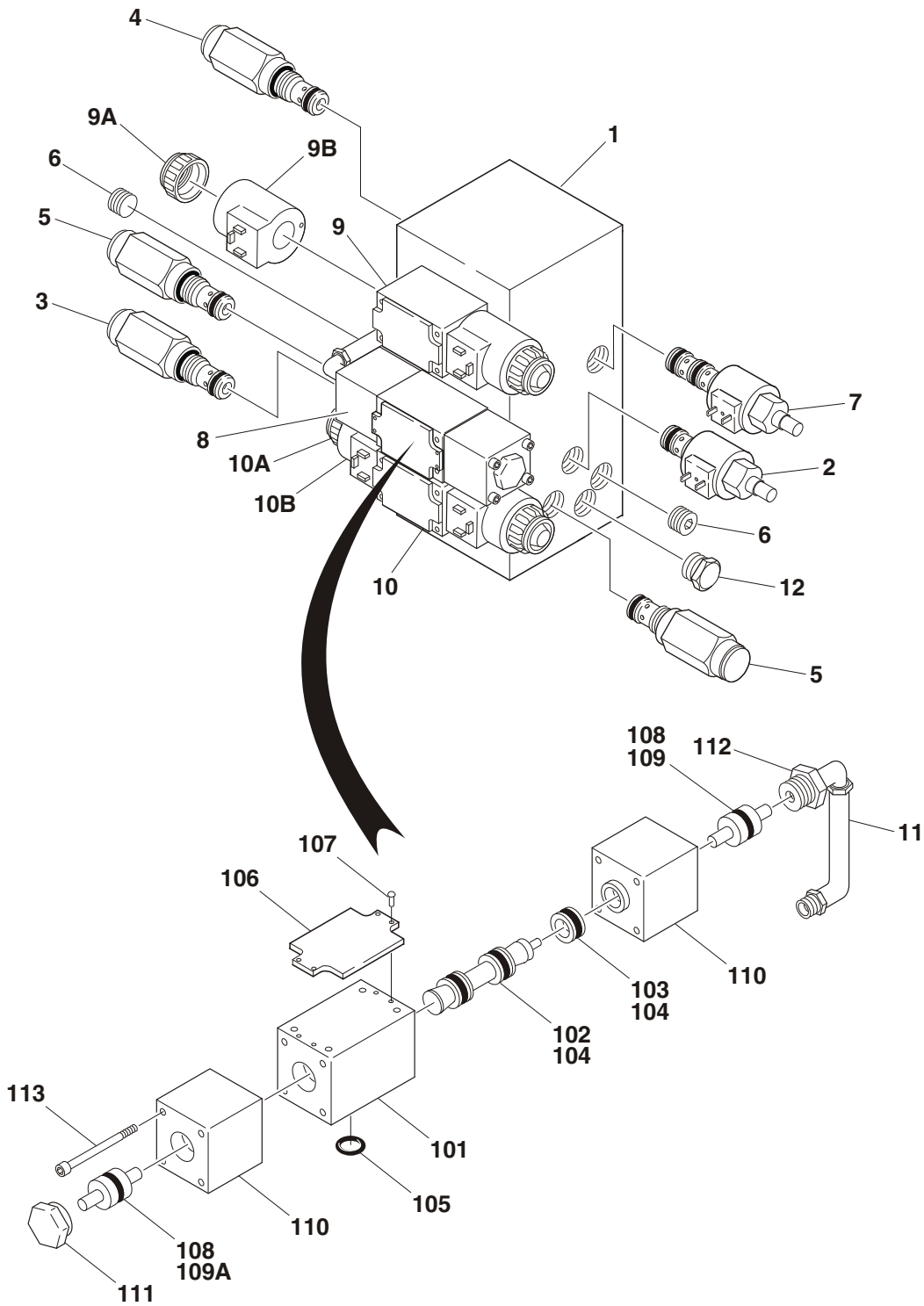
FIG & ITEM #	PART NUMBER	DESCRIPTION	QTY.	REV.

**SECTION 2 GROUND COMPONENTS**

# SECTION 2 GROUND COMPONENTS

FIGURE 2-2. CONTROL VALVES ASSEMBLY

SECTION 2 GROUND COMPONENTS





# SECTION 2 GROUND COMPONENTS

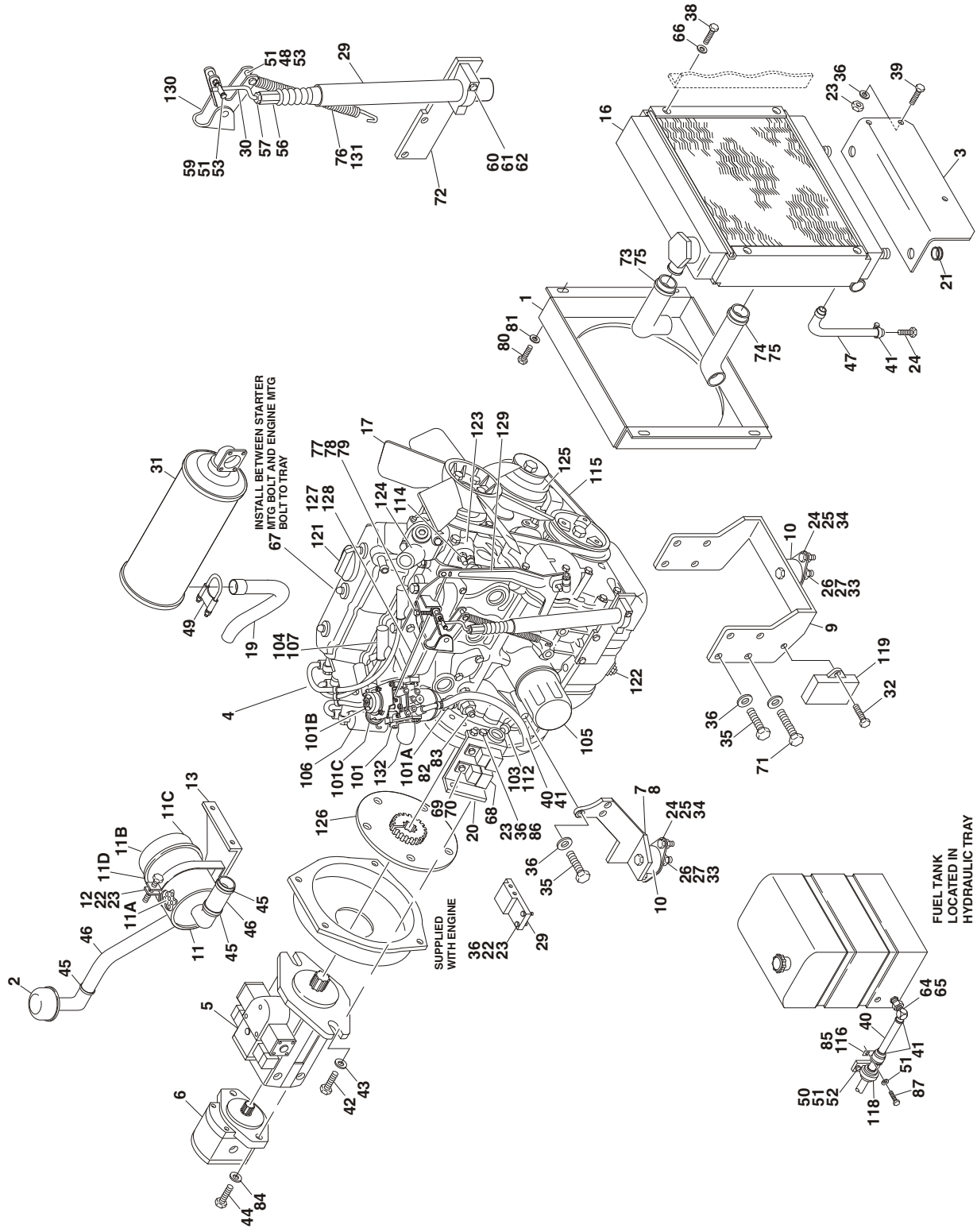
**FIGURE 2-2. CONTROL VALVES ASSEMBLY**

FIG & ITEM #	PART NUMBER	DESCRIPTION	QTY.	REV.
	4640977	<b>CONTROL VALVE ASSEMBLY</b>	Ref.	C
1	Not Serviced	Manifold	1	
2	7012966	Cartridge With Coil	1	
	7012967	Seal Kit - 7012966 Cartridge	1	
	7012944	Coil	1	
3	7017415	Cartridge	1	
	7012998	Seal Kit - 7017415 Cartridge	1	
4	7017416	Cartridge	1	
	7012998	Seal Kit - 7017416 Cartridge	1	
5	7017417	Cartridge	2	
	7012998	Seal Kit - 7017417 Cartridge (1 Per Cartridge)	2	
6	7018900	Orifice 1/16"/1.2mm	2	
7	7012941	Cartridge Less Coil	1	
	7010543	Seal Kit - 7012941 Cartridge	1	
	7012944	Coil	1	
8	7018901	Valve Assembly (See Items 101-113 for Breakdown)	1	
9	7012770	Valve Assembly	1	
	7012773	Seal Kit	2	
9A	7018912	Nut	2	
9B	7012772	Coil	2	
10	7012795	Valve Assembly	1	
	7012773	Seal Kit	2	
10A	7018912	Nut	2	
10B	7012772	Coil	2	
11	7018903	Tube Assembly	1	
12	7018905	Plug	1	
	7018901	<b>VALVE ASSEMBLY</b>	Ref.	
101	Not Serviced	Housing	1	
102	7018911	Spool	1	
103	Not Serviced	Detent	1	
104	7018906	O-Ring	2	
105	7018907	O-Ring	4	
106	Not Serviced	Nameplate	1	
107	Not Serviced	Rivet	4	
108	7018908	O-Ring	2	
109	7018909	Spool	1	
109A	7018910	Pin, Push	1	
110	Not Serviced	Housing	2	
111	Not Serviced	Plug	1	
112	7018904	Fitting 90°	1	
113	Not Serviced	Capscrew, Socket Head M4 x 45mm	8	

**SECTION 2 GROUND COMPONENTS**

# SECTION 2 GROUND COMPONENTS

FIGURE 2-3. VANGUARD GAS ENGINE INSTALLATION (PRIOR TO S/N 48113)



# SECTION 2 GROUND COMPONENTS

**FIGURE 2-3. VANGUARD GAS ENGINE INSTALLATION (PRIOR TO S/N 48113)**

FIG & ITEM #	PART NUMBER	DESCRIPTION	QTY.	REV.
	0255959	<b>VANGUARD ENGINE ASSEMBLY &amp; INSTALLATION (PRIOR TO S/N 48113)</b>	Ref.	14
1	3539676	Shroud, Fan	1	
2	1340033	Cap, Air Intake	1	
3	3539465	Plate, Mounting (Radiator)	1	
4	2000140	Engine - Vanguard DM700G (See Items 101-130 for Breakdown)	1	
5	3600256	Piston Pump Assembly (See Figure 2-7 for Breakdown)	1	
6	See Note	Gear Pump Assembly (was p/n 3600257)	1	
		<b>Note: P/N 3600257 no longer available. Use p/n 3600466. New pump includes required fitting.</b>	Ref.	
	7018924	Seal Kit (Includes Shaft Seal)	1	
	7018923	Seal, Shaft	1	
7	3539459	Plate, Mounting (Rear Right Side)	1	
8	3539460	Plate, Mounting (Rear Left Side)	1	
9	3539461	Plate, Mounting (Front)	1	
10	3200381	Mount, Motor	3	
11	1340057	Air Cleaner Assembly	1	
11A	7015004	Element, Filter	1	
11B	7015005	Cover Assembly	1	
11C	7015006	Valve, Vacuator	1	
11D	7015007	Latch	2	
12	0340045	Band, Mounting	1	
13	3539484	Plate, Mounting (Air Cleaner)	1	
14 to 15	Not Used			
16	3620035	Radiator	1	
	7016606	Cap, Radiator	1	
	7019618	Draincock	1	
17	2901414	Fan Kit	1	
18	1700430	Decal - Gas (Not Shown - Located on Hood)	1	
19	4567104	Pipe, Exhaust	1	
20	0902270	Bracket	1	
21	2540032	Grommet	2	
22	0641506	Bolt 5/16"-18NC x 3/4"	2	
23	3311505	Locknut 5/16"-18NC	5	
24	0641608	Bolt 3/8"-16NC x 1"	7	
25	3311605	Locknut 3/8"-16NC	6	
26	0641818	Bolt 1/2"-13NC x 2 1/4"	3	
27	3311805	Locknut 1/2"-13NC	3	
28	Not Used			
29	Use 2910000	Actuator Assembly (Was p/n 0060037) (See Section 7 for Breakdown)	1	
30	3841315	Rod, Throttle	1	
31	3220109	Muffler	1	
32	0641408	Bolt 1/4"-20NC x 1"	2	
33	4740274	Washer, Snubbing	3	
34	4751600	Flatwasher 3/8"	6	
35	0700810	Bolt Metric 8mm x 20mm	12	

**SECTION 2 GROUND COMPONENTS**

# SECTION 2 GROUND COMPONENTS

**FIGURE 2-3. VANGUARD GAS ENGINE INSTALLATION (PRIOR TO S/N 48113) (CONTINUED)**

**SECTION 2 GROUND COMPONENTS**

FIG & ITEM #	PART NUMBER	DESCRIPTION	QTY.	REV.
36	4751500	Flatwasher 5/16"	23	
37	0100011	Loctite #242 (Not Shown)	A/R	
38	0760605	Bolt, Metric 6mm x 10mm	6	
39	0641508	Bolt 5/16"-18NC x 1"	3	
40	2720015	Hose, Fuel Line (1/4")	6ft/1.8m	
41	1320022	Clamp, Hose	8	
42	0641812	Bolt 1/2"-13NC x 1 1/2"	2	
43	4751800	Flatwasher 1/2"	2	
44	0701012	Bolt, Metric 10mm x 25mm	2	
45	1320031	Clamp, Hose	4	
46	2720063	Hose, Air Intake	2ft/0.6m	
47		Hose (3/8") Options:		
	2750532	Prior to S/N 44924	2ft/0.6m	
	2720058	S/N 44924 to Present	5ft/1.5m	
48	0651405	Bolt 1/4"-28NF x 5/8"	1	
49	1320026	Clamp, U-Bolt	1	
50	0641406	Bolt 1/4"-20NC x 3/4"	5	
51	4751400	Flatwasher 1/4"	9	
52	3311405	Locknut 1/4"-20NC	3	
53	4567086	Tube, Spacer - Throttle Linkage	2	
54 to 55	Not Used			
56	1660222	Coupling, Throttle	1	
57	3321402	Nut, Jam 1/4"-28NF	1	
58	Not Used			
59	1660220	Coupling, Throttle	1	
60	4740442	Washer, Belleville	1	
61	3900217	Bolt, Socket Head Shoulder 3/8"-16NC x 7/8"	1	
62	0962031	Bushing, Flanged	1	
63	Not Used			
64	2220250	Fitting, Reducer	1	
65	2220317	Fitting, 90°	1	
66	4811700	Flatwasher, Metric 6mm	6	
67	1060221	Cable, Solenoid	1	
68	3740049	Relay	2	
69	0721008	Bolt #10-24NC x 1"	2	
70	3311005	Locknut #10-24NC	2	
71	0700812	Bolt, Metric 8mm x 25mm	3	
72	3539929	Plate, Mounting	1	
73	2720420	Hose, Radiator (Top)	1	
74	2720421	Hose, Radiator (Bottom)	1	
75		Clamp, Hose Options:	4	
	1320014	Prior to S/N 44432		
	1320033	S/N 44432 to Present		
76	4160150	Spring (Used Prior to S/N 28511 - Recommend #131 as replacement)	1	
77	1320061	Clamp, Hose	1	
78	0700808	Bolt, Metric 8mm x 16mm	1	
79	4751500	Flatwasher 5/16"	1	

# SECTION 2 GROUND COMPONENTS

**FIGURE 2-3. VANGUARD GAS ENGINE INSTALLATION (PRIOR TO S/N 48113) (CONTINUED)**

FIG & ITEM #	PART NUMBER	DESCRIPTION	QTY.	REV.
80	0700605	Bolt, Metric 6mm x 10mm	4	
81	4751400	Flatwasher 1/4"	4	
82	4360405	Sender, Oil Pressure	1	
83	2180812	Fitting, Adapter	1	
84	4740185	Washer, Hardened	2	
85	1320095	Clamp	1	
86	0641512	Bolt 5/16"-18NC x 1 1/2"	1	
87	0641404	Bolt 1/4"-20NC x 1/2"	3	
	2000140	<b>ENGINE COMPONENTS</b>	Ref.	D
101	7017617	Carburetor	1	
	7017640	Rebuilt Kit - 7017617 Carburetor	1	
	7017641	Gasket - Air Intake to Carburetor	1	
	70002087	Float Assembly	1	
	70000209	Gasket - Carburetor Float Bowl	1	
	7017643	Shaft, Throttle	1	
101A	7017639	Solenoid, Fuel	1	
101B	7017637	Switch, Choke	1	
101C	7017638	Choke, Vacuum	1	
	7017632	Link, Choke	1	
	7017644	Shaft, Choke	1	
102	7017620	Starter (Not Shown)	1	
103	7017603	Dipstick	1	
104	Use 7019932	Plug, Spark (was p/n 7017608)	3	
105	7017600	Filter, Oil	1	
106	7017606	Coil, Ignition	3	
107	7017607	Boot, Spark Plug	3	
108	Use 7024414	Gasket - Exhaust (Not Shown) (was p/n 7017629)	1	
109	7017612	Gasket - Inlet (Not Shown)	1	
110	7017613	Gasket - Outlet (Not Shown)	1	
111	7017614	Gasket - Water Pump (Not Shown)	1	
112	7017602	Tube, Dipstick	1	
113	Use 7017641	Gasket - Carburetor to Intake (Not Shown) (was p/n 7017618)	1	
114	7017627	Switch, Water Temperature	1	
115	7017616	V-Belt	1	
116	7017636	Filter, Fuel	1	
117	7017610	Regulator (Not Shown)	1	
118	Use 7017657	Pump, Fuel (was p/n 7017619)	1	
119	7017621	Module, Ignition	1	
120	7017622	Trigger, Ignition (Not Shown)	1	
121	7017605	Cap, Oil Fill	1	
122	7017604	Plug, Oil Drain	1	
123	7017615	Pump, Water	1	
124	7017611	Thermostat	1	
125	7017609	Alternator	1	
126	1660229	Coupling, Pump	1	
127	7017630	Link, Governor	1	
128	7017635	Spring, Link	1	

**SECTION 2 GROUND COMPONENTS**

# SECTION 2 GROUND COMPONENTS

FIGURE 2-3. VANGUARD GAS ENGINE INSTALLATION (PRIOR TO S/N 48113) (CONTINUED)

**SECTION 2 GROUND COMPONENTS**

FIG & ITEM #	PART NUMBER	DESCRIPTION	QTY.	REV.
129	7017634	Lever, Governor	1	
130	7017633	Bracket, Control	1	
131	7017642	Spring, Governor	1	
132	7017669	Elbow, Carburetor	1	
133	7017646	Flywheel/Ring Gear Assembly (Not Shown)	1	

# SECTION 2 GROUND COMPONENTS

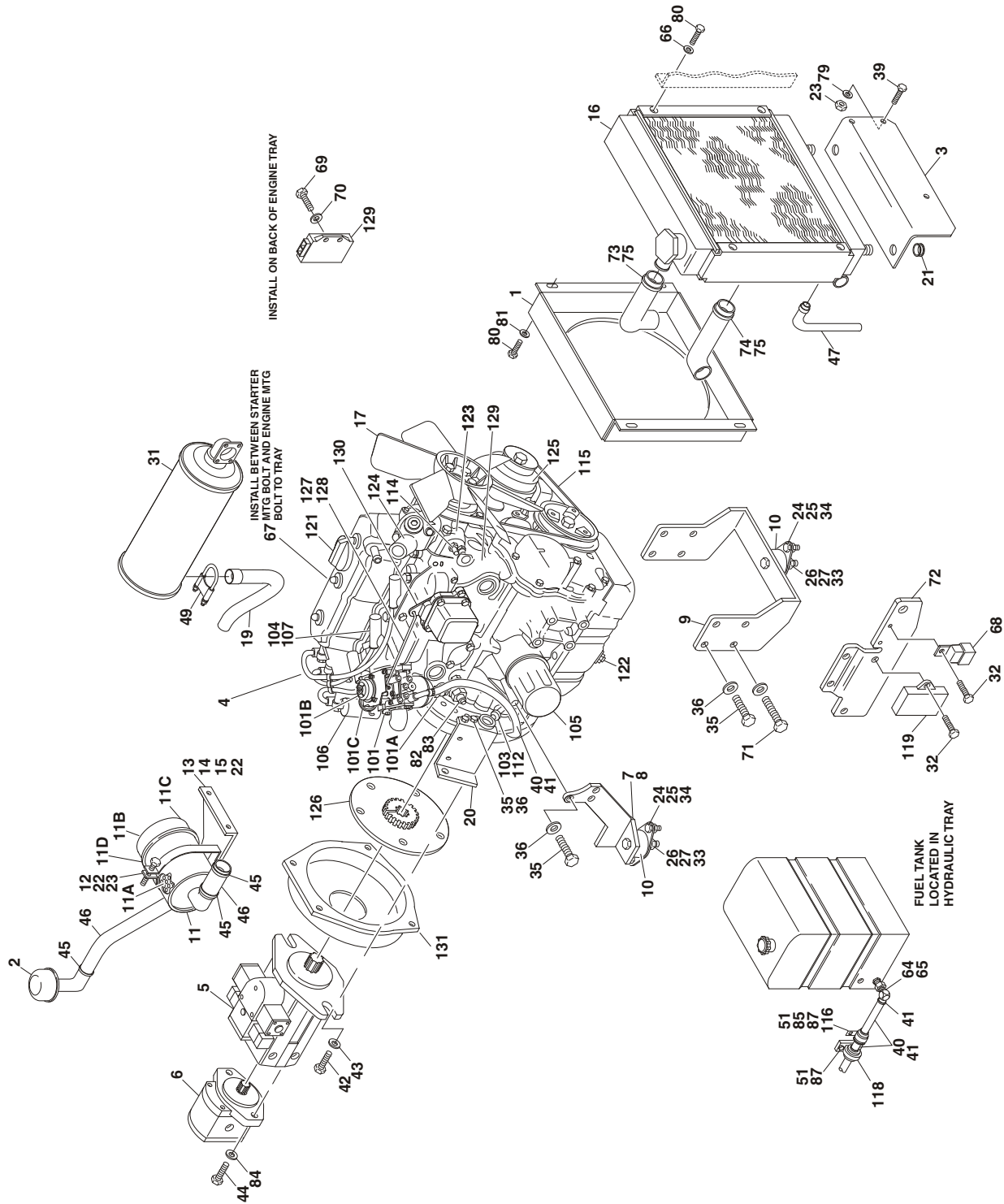
FIGURE 2-3. VANGUARD GAS ENGINE INSTALLATION (PRIOR TO S/N 48113) (CONTINUED)

FIG & ITEM #	PART NUMBER	DESCRIPTION	QTY.	REV.

**SECTION 2 GROUND COMPONENTS**

# SECTION 2 GROUND COMPONENTS

FIGURE 2-4. VANGUARD GAS ENGINE INSTALLATION (S/N 48113 TO PRESENT)





# SECTION 2 GROUND COMPONENTS

**FIGURE 2-4. VANGUARD GAS ENGINE INSTALLATION (S/N 48113 TO PRESENT)**

FIG & ITEM #	PART NUMBER	DESCRIPTION	QTY.	REV.
	0258687	<b>VANGUARD ENGINE ASSEMBLY &amp; INSTALLATION (S/N 48113 TO PRESENT)</b>	Ref.	6
1	3539676	Shroud, Fan	1	
2	1340033	Cap, Air Intake	1	
3	3539465	Plate, Mounting (Radiator)	1	
4	2000158	Engine - Vanguard DM700G (See Items 101-130 for Break-down)	1	
5		Piston Pump Assembly Options:	1	
	Use 2910175	Prior to S/N 66750 (Was p/n 3600256) (See Figure 2-7 for Breakdown)		
	3600304	S/N 66750 to Present		
	Not Available	Seal Kit - 3600304 Pump	1	
6	See Note	Gear Pump Assembly (was p/n 3600257) <b>Note: P/N 3600257 no longer available. Use p/n 3600466. New pump includes required fitting.</b>	1 Ref.	
	7018924	Seal Kit (Includes Shaft Seal)	1	
	7018923	Seal, Shaft	1	
7	3539459	Plate, Mounting (Rear Right Side)	1	
8	3539460	Plate, Mounting (Rear Left Side)	1	
9	3539461	Plate, Mounting (Front)	1	
10	3200381	Mount, Motor	3	
11	1340057	Air Cleaner Assembly	1	
11A	7015004	Element, Filter	1	
11B	7015005	Cover Assembly	1	
11C	7015006	Valve, Vacuator	1	
11D	7015007	Latch	2	
12	0340045	Band, Mounting	1	
13		Plate, Mounting (Air Cleaner) Options:	1	
	3539484	Prior to S/N 64721		
	0902560	S/N 64721 to S/N 66750		
	0902589	S/N 66750 to Present		
14	3311405	Locknut 1/4"-20NC (S/N 64721 to Present)	2	
15	4711400	Flatwasher 1/4" (S/N 64721 to Present)	4	
16	3620035	Radiator	1	
	7016606	Cap, Radiator	1	
	7019618	Draincock	1	
17	2901414	Fan Kit	1	
18	1700430	Decal - Gas (Not Shown - Located on Hood)	1	
19	4567104	Pipe, Exhaust	1	
20	0902270	Bracket	1	
21	2540032	Grommet	2	
22	0641405	Bolt 1/4"-20NC x 5/8"	2	
23	3311505	Locknut 5/16"-18NC	2	
24	0641608	Bolt 3/8"-16NC x 1"	6	
25	3311605	Locknut 3/8"-16NC	6	
26	0641818	Bolt 1/2"-13NC x 2 1/4"	3	
27	3311805	Locknut 1/2"-13NC	3	
28 to 30	Not Used			

**SECTION 2 GROUND COMPONENTS**

# SECTION 2 GROUND COMPONENTS

**FIGURE 2-4. VANGUARD GAS ENGINE INSTALLATION (S/N 48113 TO PRESENT) (CONTINUED)**

FIG & ITEM #	PART NUMBER	DESCRIPTION	QTY.	REV.
31	3220109	Muffler	1	
32	3941406	Bolt Self Tapping 1/4" x 3/4"	3	
33	4740274	Washer, Snubbing	3	
34	4751600	Flatwasher 3/8"	8	
35	0700810	Bolt Metric 8mm x 20mm	13	
36	4751500	Flatwasher 5/16"	19	
37	0100011	Loctite #242 (Not Shown)	A/R	
38	Not Used			
39	0641508	Bolt 5/16"-18NC x 1"	3	
40	2720015	Hose, Fuel Line (1/4")	6ft/1.8m	
41	1320022	Clamp, Hose	8	
42	0641812	Bolt 1/2"-13NC x 1 1/2"	2	
43	4751800	Flatwasher 1/2"	2	
44		Bolt Options:	2	
	0701012	Bolt, Metric 10mm x 25mm (Prior to S/N 66750)		
	0641608	Bolt, 3/8"-16NC x 1" (S/N 66750 to Present)		
45	1320031	Clamp, Hose	4	
46	2720063	Hose, Air Intake	1.3ft/.40m	
47	2720058	Hose (3/8")	3ft/0.9m	
48	Not Used			
49	1320026	Clamp, U-Bolt	1	
50	Not Used			
51	4751400	Flatwasher 1/4"	9	
52 to 64	Not Used			
65	2220317	Fitting, 90°	1	
66	4811700	Flatwasher, Metric 6mm	10	
67	1060221	Cable, Solenoid	1	
68	3740049	Relay	1	
69	3900256	Bolt Self Tapping #10-16NC x 1 1/4"	4	
70	4751000	Washer #10	4	
71	0700812	Bolt, Metric 8mm x 25mm	2	
72	3539929	Plate, Mounting	1	
73	2720420	Hose, Radiator (Top)	1	
74	2720421	Hose, Radiator (Bottom)	1	
75	1320033	Clamp, Hose	4	
76 to 78	Not Used			
79	4751500	Flatwasher 5/16"	6	
80	0700605	Bolt, Metric 6mm x 10mm	6	
81	4751400	Flatwasher 1/4"	4	
82	4360405	Sender, Oil Pressure	1	
83	2180812	Fitting, Adapter	1	
84	4740185	Washer, Hardened	2	
85	1320265	Clamp	1	
86	0641512	Bolt 5/16"-18NC x 1 1/2"	1	
87	0641404	Bolt 1/4"-20NC x 1/2"	3	
88	4460234	Mount, Wire Tie (Not Shown)	2	
89	4240033	Wire Tie (Not Shown)	2	

**SECTION 2 GROUND COMPONENTS**

# SECTION 2 GROUND COMPONENTS

**FIGURE 2-4. VANGUARD GAS ENGINE INSTALLATION (S/N 48113 TO PRESENT) (CONTINUED)**

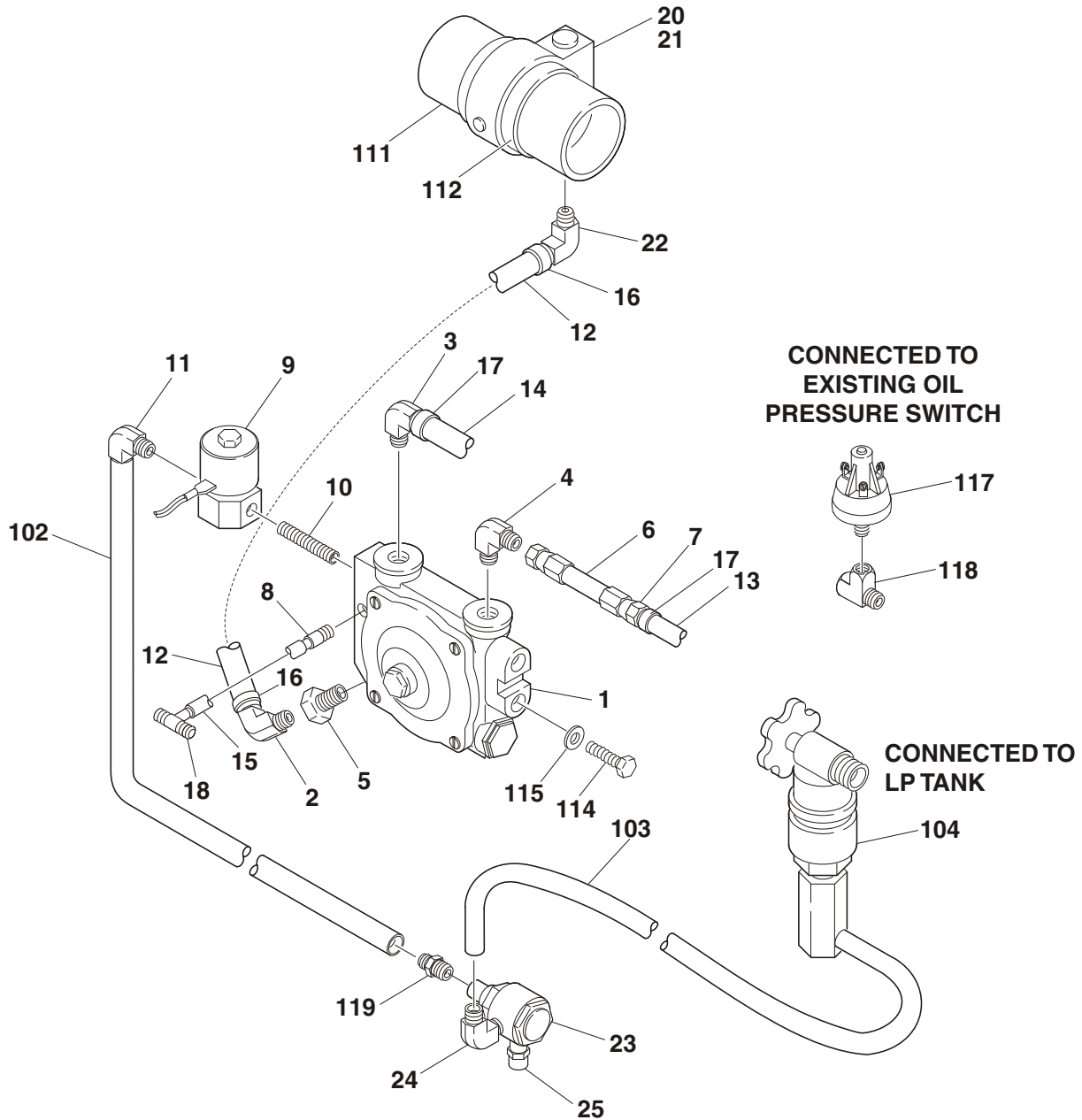
FIG & ITEM #	PART NUMBER	DESCRIPTION	QTY.	REV.
	2000158	<b>ENGINE COMPONENTS</b>	Ref.	B
101	7017653	Carburetor W/Auto Choke	1	
	7017652	Rebuilt Kit - 7017653 Carburetor	1	
	7017641	Gasket - Air Intake to Carburetor	1	
	7017669	Elbow, Carburetor	1	
101A	7017639	Solenoid, Fuel	1	
101B	7017637	Switch, Choke	1	
101C	7017638	Choke, Vacuum	1	
102	7017620	Starter (Not Shown)	1	
103	7017603	Dipstick	1	
104	Use 7019932	Plug, Spark (was p/n 7017608)	3	
105	7017600	Filter, Oil	1	
106	7017606	Coil, Ignition	3	
107	7017607	Boot, Spark Plug	3	
108	Not Used			
109	7017612	Gasket - Inlet (Not Shown)	1	
110	7017613	Gasket - Outlet (Not Shown)	1	
111	7017614	Gasket - Water Pump (Not Shown)	1	
112	7017602	Tube, Dipstick	1	
113	Not Used			
114	7017663	Switch, Water Temperature	1	
115	7017616	V-Belt	1	
116	7017656	Filter, Fuel	1	
117	Not Used			
118	7017657	Pump, Fuel	1	
119	7017621	Module, Ignition	1	
120	7017622	Trigger, Ignition (Not Shown)	1	
121	7017605	Cap, Oil Fill	1	
122	7017604	Plug, Oil Drain (Used Before Code Date 98083100)	2	
	7017654	Plug, Oil Drain (Used After Code Date 98083100)	2	
123	7017615	Pump, Water	1	
124	7017611	Thermostat	1	
125	7017609	Alternator	1	
126	1660229	Coupling, Pump	1	
127	7017667	Link, Governor	1	
128	7017668	Spring, Link	1	
129	7017659	Module, Electronic Ignition	1	
130	7017655	Motor, Servo	1	
131	7023362	Housing, Bell	1	
132	7017646	Flywheel/Ring Gear Assembly (Not Shown)	1	
133	7017670	Stud, Muffler Mount (Not Shown)	4	
	7017671	Nut, Muffler Mount (Not Shown)	4	
134	7024414	Gasket, Muffler (Not Shown)	1	

SECTION 2 GROUND COMPONENTS

# SECTION 2 GROUND COMPONENTS

FIGURE 2-5. DUAL FUEL INSTALLATION (VANGUARD MACHINES ONLY)

SECTION 2 GROUND COMPONENTS



# SECTION 2 GROUND COMPONENTS

**FIGURE 2-5. DUAL FUEL INSTALLATION (VANGUARD MACHINES ONLY)**

FIG & ITEM #	PART NUMBER	DESCRIPTION	QTY.	REV.
	2901456	<b>DUAL FUEL KIT</b>	Ref.	C
1	3720011	Regulator, Beam	1	
2	7017513	Fitting, 90° Nylon	1	
3	7017517	Fitting, 90° Barbed Brass	1	
4	7017518	Fitting, 90°	1	
5	7017508	Bushing	1	
6	7017501	Thermostat	1	
7	7017519	Fitting, Straight Barbed	1	
8	7017514	Fitting, Straight Nylon	1	
9	7017500	Solenoid, Fuel Shut-Off	1	
10	7017520	Fitting, Straight Brass Nipple	1	
11	7017521	Fitting, 90° Brass	1	
12	Supply Locally	Hose, Vapor	1ft/0.3m	
13	Supply Locally	Hose, Water	1.4ft/0.43m	
14	Supply Locally	Hose, Water	2ft/0.6m	
15	Supply Locally	Hose, Vacuum	1.8ft/0.55m	
16	Supply Locally	Clamp	2	
17	Supply Locally	Clamp	4	
18	7017512	Fitting, Tee	1	
19	Supply Locally	Tie-Strap (Not Shown)	1	
20	7017511	Adapter, In-Line	1	
21	7017510	Venturi	1	
22	7017513	Fitting, 90°	1	
23	7017504	Filter, Fuel	1	
24	7017521	Fitting, 90° Brass	1	
25	7017505	Valve, Relief	1	
26	Not Used			
27	Supply Locally	Clamp (Not Shown - Located at Oil Pressure Switch)	2	
28	7017521	Fitting, 90° Brass (Not Shown - Located at Oil Pressure Switch)	1	
	0256350	<b>DUAL FUEL INSTALLATION</b>	Ref.	10
101	2901456	Dual Fuel Kit Assembly (Includes Items 1-28)	1	
102	2720426	Hose	1	
103	2720116	Hose	1	
104	2180387	Fitting, Tank Connector	1	
105	Not Used			
106	4360345	Switch, Toggle (Not Shown - Located at Platform Console Box)	1	
107	Not Used			
108	3790012	O-Ring (Not Shown - Located at Platform Console Box)	1	
109	Not Used			
110	1700818	Decal - LP Gas (Not Shown - Located Near LP Tank)	1	

**SECTION 2 GROUND COMPONENTS**

# SECTION 2 GROUND COMPONENTS

**FIGURE 2-5. DUAL FUEL INSTALLATION (VANGUARD MACHINES ONLY) (CONTINUED)**

**SECTION 2 GROUND COMPONENTS**

FIG & ITEM #	PART NUMBER	DESCRIPTION	QTY.	REV.
111		Hose, Radiator Options:	2	
	2720433	Prior to S/N 43783		
	2720444	S/N 43783 to Present		
112	1320016	Clamp	2	
113	Not Used			
114	0641405	Bolt 1/4"-20NC x 5/8"	2	
115	4711400	Flatwasher 1/4"	2	
116	0100011	Loctite #242 (Not Shown)	A/R	
117	4360357	Switch, Oil Pressure (S/N 29981 to Present)	1	
118	2180360	Fitting, Tee (S/N 29981 to Present)	1	
119	2180418	Fitting (S/N 43783 to Present)	1	

# SECTION 2 GROUND COMPONENTS

FIGURE 2-5. DUAL FUEL INSTALLATION (VANGUARD MACHINES ONLY) (CONTINUED)

FIG & ITEM #	PART NUMBER	DESCRIPTION	QTY.	REV.

**SECTION 2 GROUND COMPONENTS**





# SECTION 2 GROUND COMPONENTS

**FIGURE 2-6. YANMAR DIESEL ENGINE INSTALLATION**

FIG & ITEM #	PART NUMBER	DESCRIPTION	QTY.	REV.
	0256271	<b>ENGINE ASSEMBLY &amp; INSTALLATION</b>	Ref.	14
1	3539693	Shroud, Radiator	1	
2	1340033	Cap, Air Intake	1	
3	0080223	Elbow, Air Intake	2	
4	2000145	Engine, Yanmar 3TNE68 (See Items 101-116 for JLG Serviced Parts)	1	
5		Piston Pump Assembly Options:	1	
	3600256	Prior to S/N 66750 (See Figure 2-7 for Breakdown)		
	3600304	S/N 66750 to Present (See Figure 2-7 for Breakdown)		
6	3600199	Gear Pump Assembly (See Figure 2-8 to Breakdown)	1	
7	0902263	Bracket, Mounting (Rear)	2	
8	0080222	Adapter, Spacer - Flywheel Housing	1	
9	0902265	Bracket, Mounting (Front)	1	
10	3200381	Mount, Motor	3	
11	1340057	Air Cleaner Assembly	1	
11A	7015004	Element, Filter	1	
11B	7015005	Cover Assembly	1	
11C	7015006	Valve, Vacuator	1	
11D	7015007	Latch	2	
12	0340045	Band, Mounting	1	
13	3539692	Plate, Mounting (Air Cleaner)	1	
14	3539465	Plate, Mounting (Radiator)	1	
15	4566987	Tube, Spacer	4	
16	3620037	Radiator	1	
17	2901415	Fan Kit (Includes Mounting Hardware)	1	
18	0701012	Bolt, Metric 10mm x 25mm	20	
19	4567104	Pipe Exhaust	1	
20	0100020	Sealant, Pipe (Not Shown)	A/R	
21	2540032	Grommet	2	
22	0641506	Bolt 5/16"-18NC x 3/4"	2	
23	3311505	Locknut 5/16"-18NC	6	
24	0641608	Bolt 3/8"-16NC x 1"	7	
25	3311605	Locknut 3/8"-16NC	6	
26	0641818	Bolt 1/2"-13NC x 2 1/4"	3	
27	3311805	Locknut 1/2"-13NC	3	
28	1660228	Coupling, Pump	1	
29	Use 2910000	Actuator Assembly (Was p/n 0060038) (See Section 7 for Breakdown)	1	
		<b>Note: Components do not include connectors or terminals.</b>	Ref.	
29A	7016334	Actuator, Throttle (Includes Boot Kit)	1	
29B	7016336	Boot Kit	1	
29C	7016335	Controller	1	
30	3841307	Rod, Throttle	1	
31	3220109	Muffler	1	
32	0080225	Elbow, Air Intake	1	
33	4740274	Washer, Snubbing	3	
34	4761600	Flatwasher 3/8"	27	

# SECTION 2 GROUND COMPONENTS

FIGURE 2-6. YANMAR DIESEL ENGINE INSTALLATION (CONTINUED)

FIG & ITEM #	PART NUMBER	DESCRIPTION	QTY.	REV.
35	0700812	Bolt, Metric 8mm x 25mm	27	
36	4751500	Flatwasher 5/16"	11	
37	0100011	Loctite #242 (Not Shown)	A/R	
38	0700805	Bolt, Metric 6mm x 10mm	6	
39	0641508	Bolt 5/16"-18NC x 1"	3	
40	2720058	Hose, Fuel Line (5/16")	6ft/1.8m	
41	1320022	Clamp, Hose	6	
42	0641812	Bolt 1/2"-13NC x 1 1/2"	2	
43	4751800	Flatwasher 1/2"	2	
44		Bolt Options:	2	
	0701012	Bolt, Metric 10mm x 25mm (Prior to S/N 66750)		
	0641608	Bolt, 3/8"-16NC x 1" (S/N 66750 to Present)		
45	1320016	Clamp, Hose	6	
46	1701505	Decal - Diesel Fuel (Not Shown - Located on Hood)	1	
47	2750532	Hose (3/8")	1ft/30.5cm	
48	0080221	Adapter, Pump Mounting	1	
49	1320026	Clamp, U-Bolt	1	
50	0641406	Bolt 1/4"-20NC x 3/4"	4	
51	4751400	Flatwasher 1/4"	4	
52	3311405	Locknut 1/4"-20NC	4	
53		Plug, Pipe Options:	1	
	2200213	Prior to S/N 58575		
	2200233	S/N 58575 to Present		
54		Fitting, 90° Options:	1	
	2200462	Prior to S/N 44924		
	2220648	S/N 44924 to Present		
55	2180666	Fitting, Barbed	1	
56	1660222	Coupling, Throttle	1	
57	3321402	Nut, Jam 1/4"-28NF	1	
58	3321602	Nut, Jam 3/8"-24NF	1	
59	1660220	Swivel, Throttle	1	
60	4740442	Washer, Belleville	1	
61	3900217	Bolt, Socket Head Shoulder	1	
62	0962031	Bushing, Flanged	1	
63	Not Used			
64	2220250	Fitting, Reducer	2	
65	2180348	Fitting, Barbed	1	
66	2720271	Hose, Fuel (3/16")	6	
67	4569675	Tube, Air Intake	1	
68	4811700	Flatwasher 6mm	6	
69	1060221	Strap, Ground (Starter to Engine Tray)	1	
70	2720422	Hose, Radiator (Top)	1	
71		Clamp, Hose Options:	4	
	1320014	Prior to S/N 44432		
	1320033	S/N 44432 to Present		
72	0701015	Bolt, Metric 10mm x 35mm	8	
73	4740185	Washer, Hardened	2	
74	Not Used			

# SECTION 2 GROUND COMPONENTS

**FIGURE 2-6. YANMAR DIESEL ENGINE INSTALLATION (CONTINUED)**

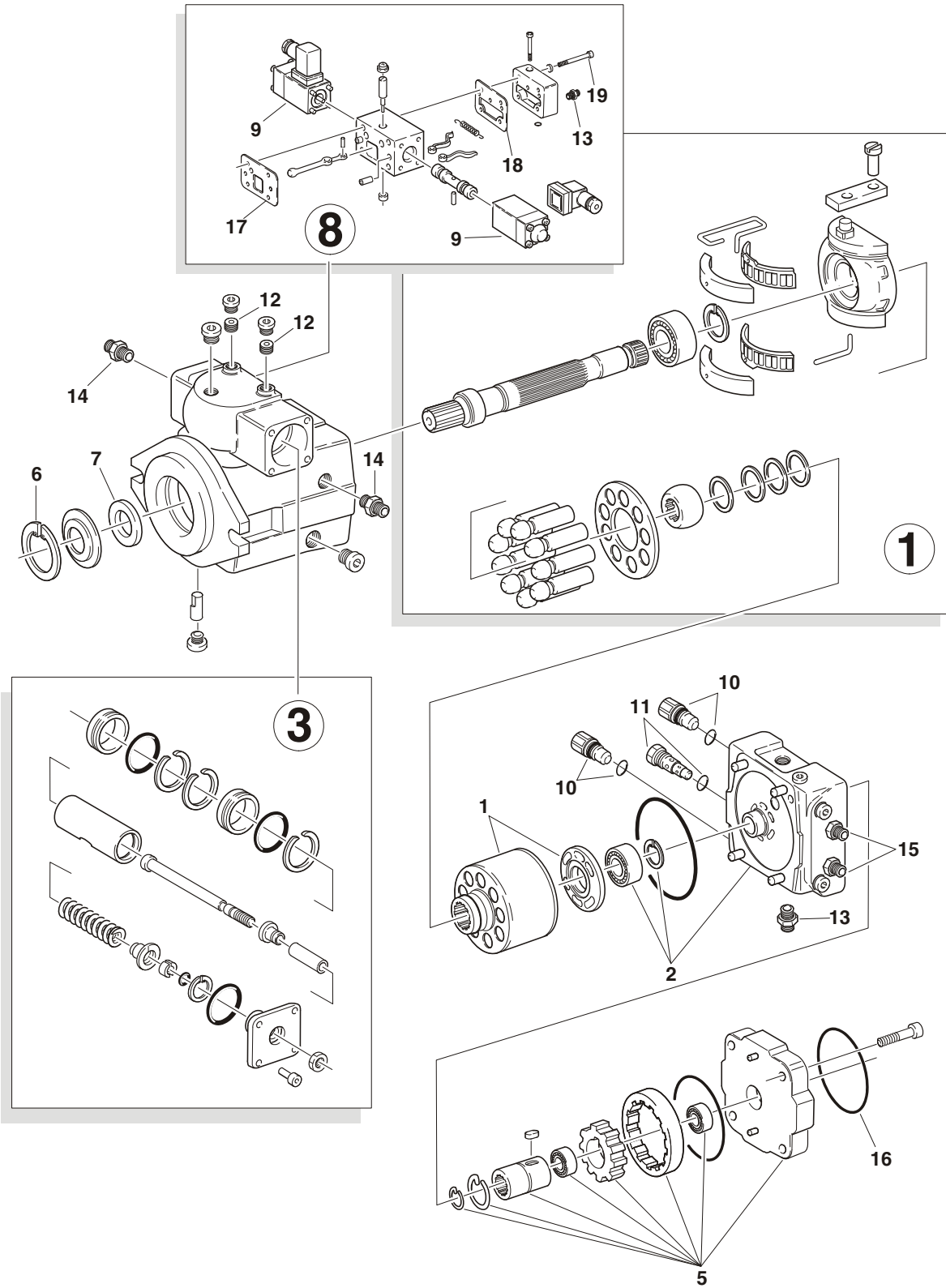
FIG & ITEM #	PART NUMBER	DESCRIPTION	QTY.	REV.
75	0721008	Bolt #10-24NC x 1" (S/N 40093 to Present)	2	
76	3311005	Locknut #10-24NC (S/N 40093 to Present)	2	
77	4845990	Weldment, Muffler Bracket	1	
78 to 79	Not Used			
80	4460234	Mount, Wire Tie (Not Shown)	2	
81	4240033	Wire Tie (Not Shown)	2	
	0257589	<b>TIMER MODULE ASSEMBLY</b>	Ref.	1
101	3740126	Relay, Timer Module	1	
102	4460445	Terminal, Receptacle	1	
103	4460267	Pin, Male	3	
104	4460326	Plug	1	
105	4460268	Socket, Female		
	2000145	<b>ENGINE COMPONENTS</b>	Ref.	
201	7018100	V-Belt	1	
202	7018101	Cap, Oil Fill	1	
203	7018102	Gasket, Valve Cover (Not Shown)	1	
204	7018103	Filter, Oil	1	
205	7018104	Dipstick, Engine Oil Level	1	
206	7018105	Pump, Water	1	
207	7018106	Gasket, Thermostat (Not Shown)	1	
208	7018107	Thermostat	1	
209	7018108	Switch, Water Temperature	1	
210	7018111	Element, Fuel Filter	1	
211	7018112	Starter	1	
212	7018113	Alternator	1	
213	Use 2720431	Hose, Radiator (Bottom) (was p/n 7018115)	1	
214	7018116	Solenoid, ETR Stop (Not Shown)	1	
215	7018117	Pump, Fuel Injection	1	
216	7018118	Pump, Fuel Feed	1	
217	7018975	Case Drain Plug / Seal	1	
218	7018144	Gasket, Muffler	1	
219	7018145	Switch, Oil Pressure	1	
220	7018119	Lever, Regulator (Not Shown)	1	
221	7018146	Fuel Strainer Assembly (Not Shown)	1	
222	7018147	Plug, Glow (Not Shown)	3	

**SECTION 2 GROUND COMPONENTS**

# SECTION 2 GROUND COMPONENTS

FIGURE 2-7. PISTON PUMP ASSEMBLY

SECTION 2 GROUND COMPONENTS



# SECTION 2 GROUND COMPONENTS

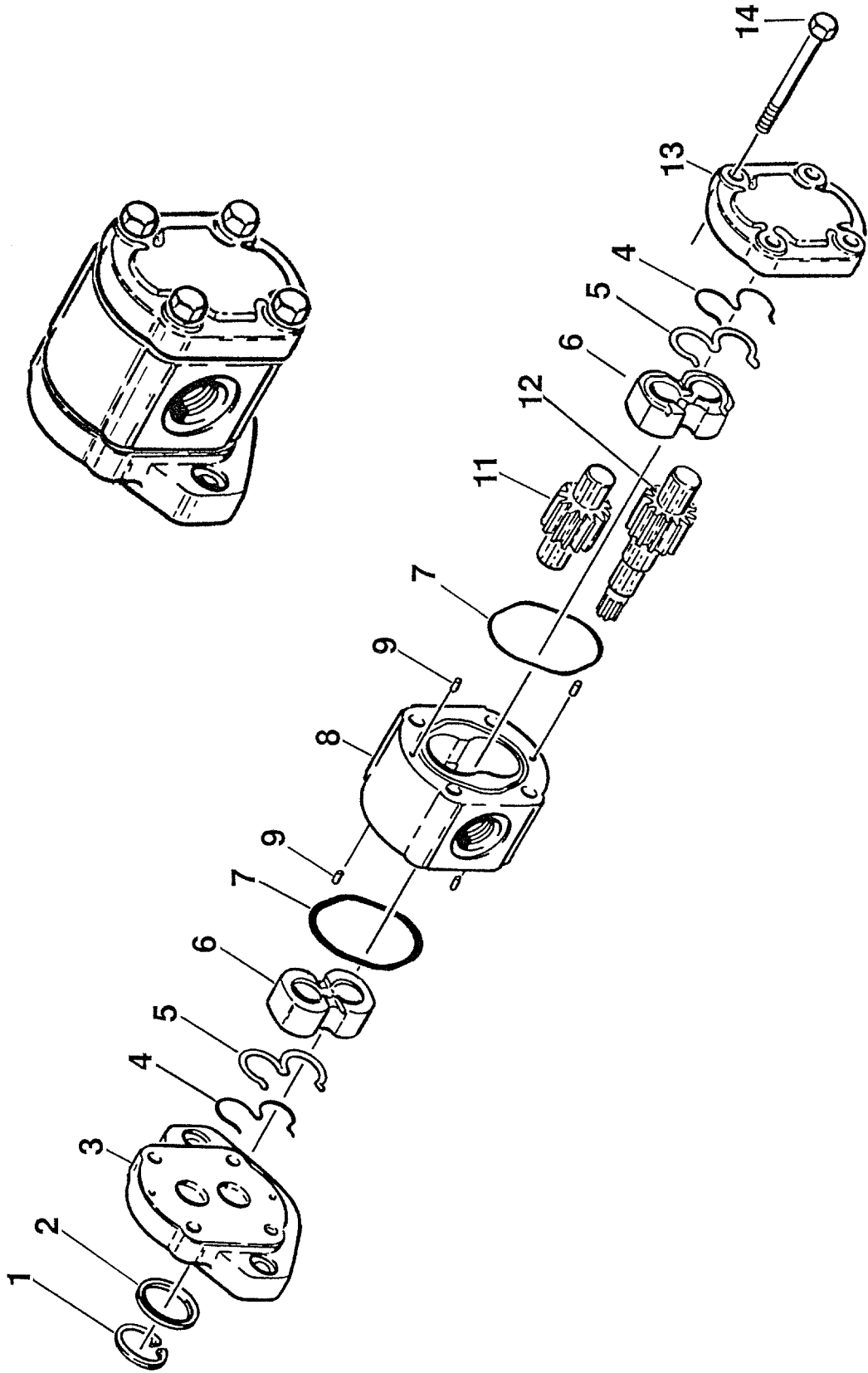
**FIGURE 2-7. PISTON PUMP ASSEMBLY**

FIG & ITEM #	PART NUMBER	DESCRIPTION	QTY.	REV.
	3600256	<b>PISTON PUMP ASSEMBLY</b>	Ref.	B
1	7018925	Rotary Group Assembly	1	
2	7018926	Port Plate Assembly (Includes Items 10 & 11)	1	
3	7018927	Stroking Cylinder Assembly	1	
4	Not Used			
5	7018929	Connecting Plate Assembly	1	
6	7018930	Ring, Retaining	1	
7	7018931	Seal, Shaft	1	
8	7018932	Proportional Valve Assembly (Includes Item 9)	1	
9	7018933	Coil, Solenoid	2	
10	7018934	Cartridge, Valve - High Pressure Relief	2	
11	7018935	Cartridge, Valve - Boost Oil Pressure Relief	1	
12	7018936	Orifice	2	
13	7018937	Fitting, Adapter	2	
14	7018938	Fitting, Adapter	2	
15	7018939	Fitting, Adapter	1	
16	7018953	O-Ring	1	
17	7018983	Gasket	1	
18	7018984	Gasket	1	
19	7024016	Screw M6 x 55mm	4	
	7018940	Seal Kit - Complete External	1	

SECTION 2 GROUND COMPONENTS

## SECTION 2 GROUND COMPONENTS

FIGURE 2-8. GEAR PUMP ASSEMBLY (YANMAR ENGINE)



# SECTION 2 GROUND COMPONENTS

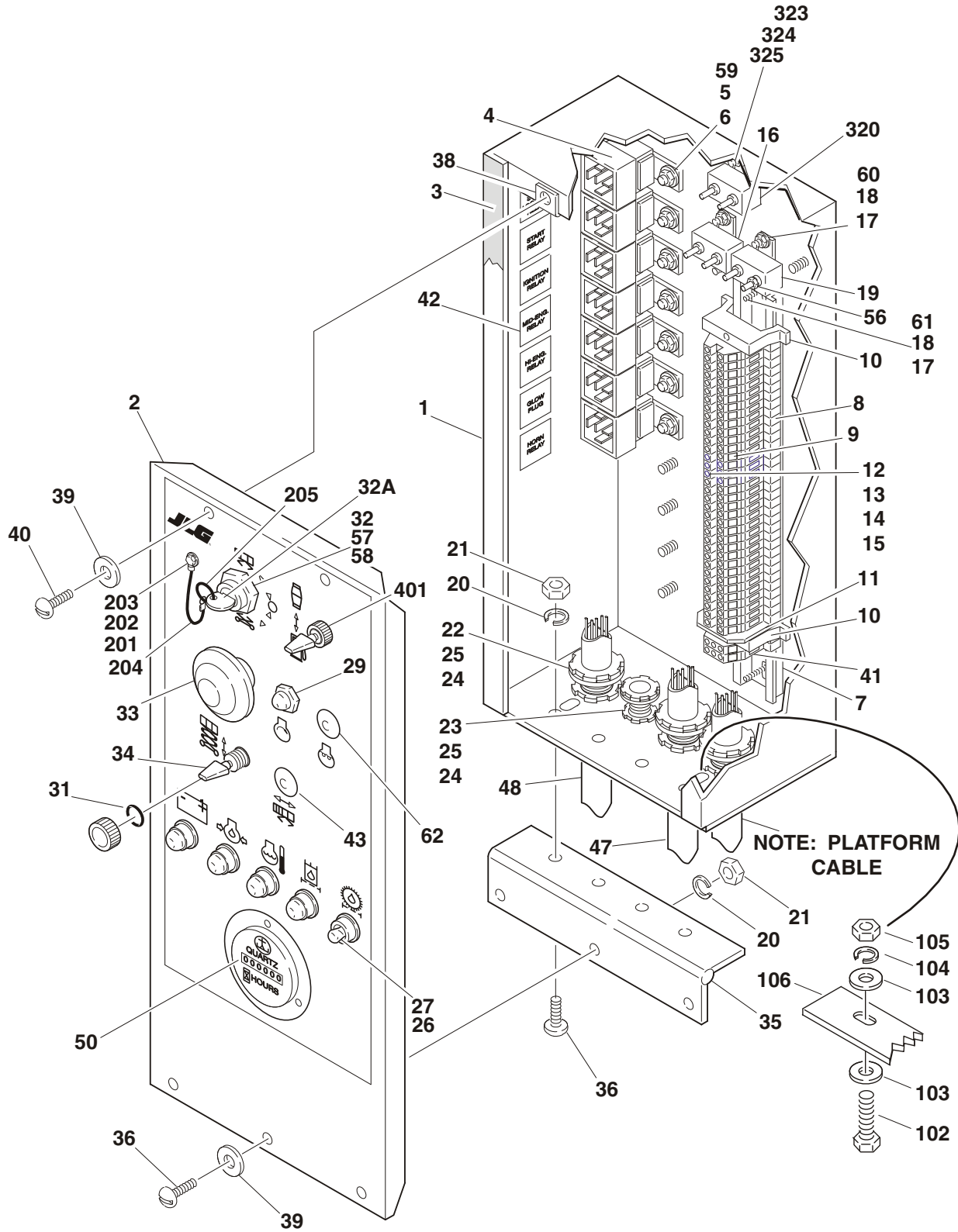
**FIGURE 2-8. GEAR PUMP ASSEMBLY (YANMAR ENGINE)**

FIG & ITEM #	PART NUMBER	DESCRIPTION	QTY.	REV.
	3600199	<b>GEAR PUMP ASSEMBLY</b>	Ref.	
1	7010955	Ring, Retaining	1	
2	Kit	Seal, Shaft	1	
3	7010956	Flange, Mounting	1	
4	Kit	Ring, Back-Up	2	
5	Kit	E-Seal	2	
6	7010957	Bearing	2	
7	Kit	O-Ring	2	
8	7010958	Housing	1	
9	7010959	Pin, Dowel	4	
10	Not Used			
11	7010594	Gear, Idler	1	
12	7010978	Gear, Drive	1	
13	7010960	Cover, End	1	
14	7010961	Bolt	4	
	7010953	Seal Kit (Includes Items 2, 4, 5, & 7)	1	

# SECTION 2 GROUND COMPONENTS

FIGURE 2-9. GROUND CONTROLS INSTALLATION

SECTION 2 GROUND COMPONENTS





# SECTION 2 GROUND COMPONENTS

**FIGURE 2-9. GROUND CONTROLS INSTALLATION**

FIG & ITEM #	PART NUMBER	DESCRIPTION	QTY.	REV.
		<b>GROUND CONTROL BOX ASSEMBLY OPTIONS:</b>	Ref.	
	0256294	<b>Vanguard (Prior to S/N 35428)</b>	Ref.	7
	0256738	<b>Vanguard (S/N 35428 to Present)</b>	Ref.	6
	0259222	<b>Vanguard - With Hydraulic Drive Generator</b>	Ref.	4
	0256304	<b>Yanmar (Prior to S/N 35428)</b>	Ref.	6
	0256739	<b>Yanmar (S/N 35428 to Present)</b>	Ref.	4
1		Box Options:	1	
	4844562	Prior to S/N 70893		
	0861338	S/N 70893 to Present		
2		Lid Options:	1	
	3252491	Prior to S/N 65027		
	3252633	S/N 65027 to Present		
3	4420037	Strip, Rubber	3ft/1m	
4	3740049	Relay	A/R	
5	4761400	Lockwasher 1/4"	A/R	
6	3311401	Locknut 1/4"-20NC	A/R	
7	3640865	Rail, Terminal	1	
8	4460298	Block, Terminal	35	
9	4460301	Marker, Terminal (1-50)	1	
10	4460299	Stop, Terminal	2	
11	4460300	Barrier, Terminal	1	
12	4460309	Bar, Buss - 3 Position	1	
13	4460305	Screw, Buss Bar	3	
14	4460306	Washer, Buss Bar	3	
15	4460307	Sleeve, Buss Bar	3	
16	4360216	Breaker, Circuit - 30 Amp	1	
17	4770600	Starwasher #6	4	
18	3310601	Nut #6-32NC	4	
19	4360232	Breaker, Circuit - 15 Amp	1	
20	4761000	Lockwasher #10	A/R	
21	3311001	Nut #10-24NC	10	
22	4460051	Connector, Strain Relief - 3/4"	A/R	
23	4460071	Connector, Strain Relief - 1/2"	2	
24	3300048	Locknut, Conduit	4	
25	0960238	Bushing	4	
26	2920028	Lamp - Yellow	5	
27	2920029	Bulb, Light	5	
28	Not Used			
29	4360387	Switch, Push Button	1	
30	0100035	Loctite (Not Shown)	A/R	
31	3790012	O-Ring	1	
32	4360430	Switch, Key (Prior to S/N 65027)	1	
32A	7016339	Key, Replacement	1	
32	4360469	Switch, Key (S/N 65027 to Present)	1	
32A	7020174	Key, Replacement	1	

# SECTION 2 GROUND COMPONENTS

**FIGURE 2-9. GROUND CONTROLS INSTALLATION (CONTINUED)**

FIG & ITEM #	PART NUMBER	DESCRIPTION	QTY.	REV.
33	4360395	Switch, Mushroom (Prior to S/N 58371)	1	
	7016315	Cap	1	
	4360289	Switch, Mushroom (S/N 58371 to S/N 65027)	1	
	7012611	Cap	1	
	7012612	Boot	1	
	4360475	Switch, Mushroom (S/N 65027 to Present)	1	
	7020175	Ring, Sealing	1	
	7020176	Block, Contact	1	
34	4360314	Switch, Toggle	1	
35	2600161	Hinge	1	
36	3911008	Screw #10-24NC x 1/2"	7	
37	3990010	Diode, 600V (Not Shown)	2	
38	3300177	Nut, Tinnerman	2	
39	4740120	Washer, Nylon	5	
40	0750806	Screw #8-32NC x 3/4"	2	
41	4460303	Terminal, Ground Block	2	
42	1701683	Decal - Relay Function	1	
43	3520026	Plug	1	
44	4460234	Mount, Cable Tie (Not Shown)	11	
45	2420033	Wire, Tie (Not Shown)	11	
46		Harness - Ground Control Box Options (See Section 7 for Breakdown) (Not Shown):	1	
	4921836	Prior to S/N 35428		
	4921897	S/N 35428 to Present		
47		Harness - Engine Options: (See Section 7 for Breakdown)	1	
	4921837	Vanguard (Prior to S/N 35428)		
	4921898	Vanguard (S/N 35428 to S/N 48113)		
	4922182	Vanguard (S/N 48113 to Present)		
	4921839	Yanmar (Prior to S/N 35428)		
	4921900	Yanmar (S/N 35428 to Present)		
48		Harness - Valve Options: (See Section 7 for Breakdown)	1	
	4921838	Prior to S/N 35428		
	4921899	S/N 35428 to Present		
49	Not Used			
50	2420009	Hourmeter	1	
51	Not Used			
52		Harness - Light Bank Diode Options: (Not Shown) (See Section 7 for Breakdown)	1	
	4921907	Prior to S/N 35428		
	4921910	S/N 35428 to Present		
53		Harness - Steer Dump Options: (Not Shown) (See Section 7 for Breakdown)	1	
	4921906	Prior to S/N 35428		
	4921909	S/N 35428 to Present		
54		Harness - High Engine Lift Options: (Not Shown) (See Section 7 for Breakdown) (S/N 32436 to Present)	1	
	4621905	Vanguard (Prior to S/N 35428)		
	4621908	Vanguard (S/N 35428 to Present)		
	Not Required	Yanmar		

SECTION 2 GROUND COMPONENTS

# SECTION 2 GROUND COMPONENTS

**FIGURE 2-9. GROUND CONTROLS INSTALLATION (CONTINUED)**

FIG & ITEM #	PART NUMBER	DESCRIPTION	QTY.	REV.
55		Harness - Mid Engine Lockout Options: (Not Shown) (See Section 7 for Breakdown) (S/N 32436 to Present)	1	
	4921960	Prior to S/N 35428		
	4921961	S/N 35428 to Present		
56	3321001	Nut #10-32NF	4	
57	4070987	Shim, Nylon (S/N 65027 to Present)	5	
58	3910804	Screw #8-32NC x 1/4" (S/N 65027 to Present)	6	
59	0641406	Bolt 1/4"-20NC x 3/4" (S/N 70893 to Present)	A/R	
60	0721004	Bolt #10-24NC x 1/2" (S/N 70893 to Present)	3	
61	0722603	Bolt #6-32NC x 3/8" (S/N 70893 to Present)	4	
62		Component Options:	1	
	3520026	Plug (Vanguard Engine)		
	4360387	Switch, Push Button (Yanmar Engine)		
		<b>GROUND CONTROL BOX INSTALLATION OPTIONS:</b>	Ref.	
	0256293	<b>Vanguard Engine</b>	Ref.	2
	0259221	<b>Vanguard Engine - With Hydraulic Drive Generator</b>	Ref.	1
	0256303	<b>Yanmar Engine</b>	Ref.	2
101	Not Used			
102	0641410	Bolt 1/4"-20NC x 1 1/4"	2	
103	4751400	Flatwasher 1/4"	4	
104	4761400	Lockwasher 1/4"	2	
105	3311401	Nut 1/4"-20NC	2	
106	0362591	Bar, Brace	1	
	0256536	<b>KEY ATTACH ASSEMBLY</b>	Ref.	A
201	0641405	Bolt 1/4"-20NC x 5/8"	1	
202	4751400	Flatwasher 1/4"	2	
203	3311405	Locknut 1/4"-20NC	1	
204	1060379	Lanyard	1	
205	3760170	Ring	1	
		<b>OPTIONAL WORKLIGHTS INSTALLATION OPTIONS:</b>	Ref.	
	0256535	<b>Standard Rails</b>	Ref.	3
	0258925	<b>Fold-Down Rails</b>	Ref.	1
301 to 319	Not Used			
320	4360448	Breaker, Circuit 10 Amp	1	
321 to 322	Not Used			
323	4761000	Lockwasher #10	1	
324	3311001	Locknut #10-24NC	1	
325	3911008	Bolt #10-24NC x 1/2"	1	

**SECTION 2 GROUND COMPONENTS**

# SECTION 2 GROUND COMPONENTS

**FIGURE 2-9. GROUND CONTROLS INSTALLATION (CONTINUED)**

**SECTION 2 GROUND COMPONENTS**

FIG & ITEM #	PART NUMBER	DESCRIPTION	QTY.	REV.
401	0256692	<b>PLATFORM EXTENSION INTERLOCK INSTALLATION (NOT SHOWN)</b>	Ref.	—
	4120013	Socket, Relay	1	
	3740058	Relay	1	
	3740063	Clip, Spring	1	
	0256350	<b>DUAL FUEL INSTALLATION (OPTIONAL)</b>	Ref.	10
	4360345	Switch, Toggle (Select)	1	
	3790012	O-Ring	1	

# SECTION 2 GROUND COMPONENTS

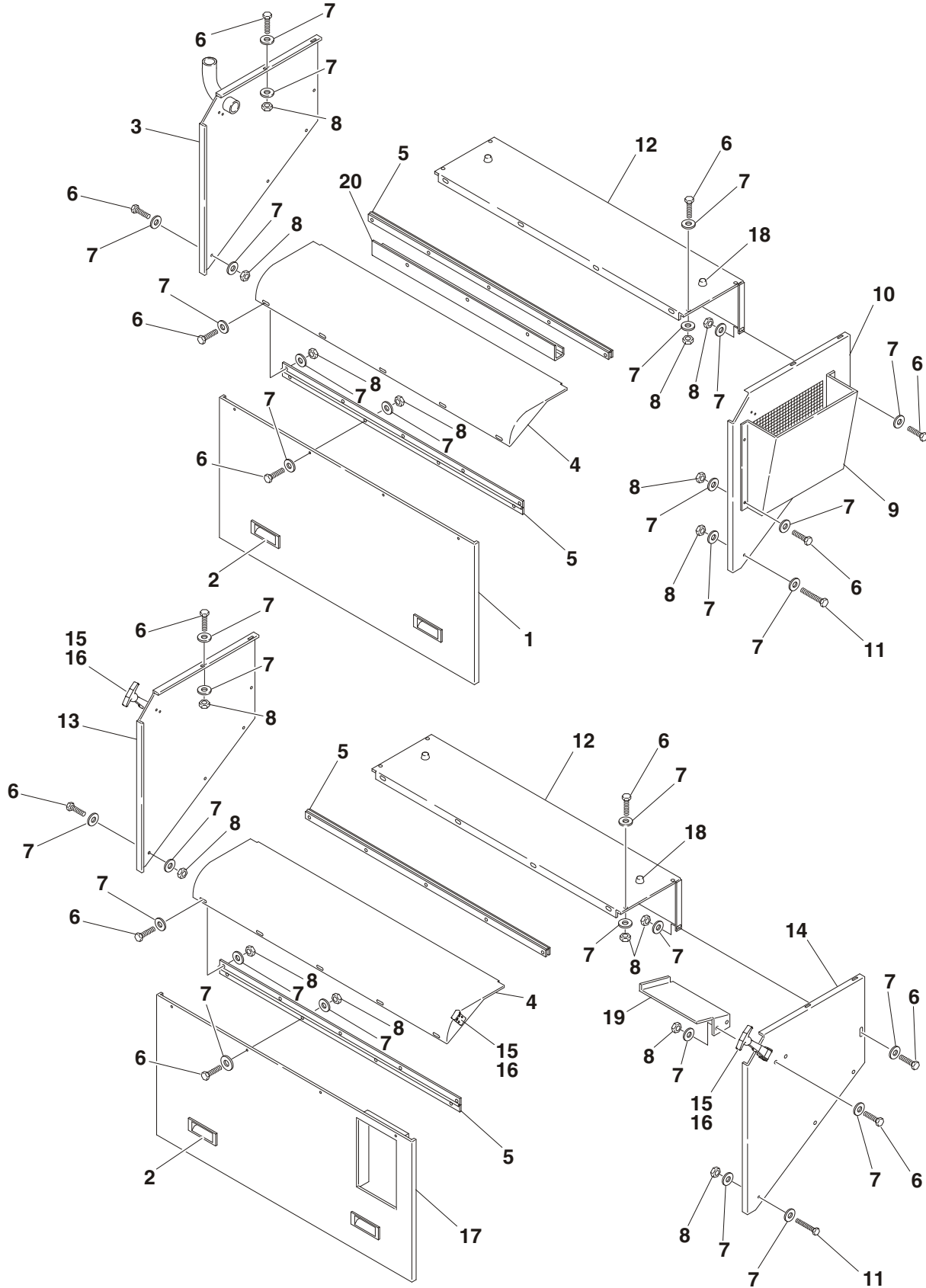
FIGURE 2-9. GROUND CONTROLS INSTALLATION (CONTINUED)

FIG & ITEM #	PART NUMBER	DESCRIPTION	QTY.	REV.

**SECTION 2 GROUND COMPONENTS**

# SECTION 2 GROUND COMPONENTS

FIGURE 2-10. HOOD INSTALLATIONS



NOTE: REPLACEMENT DECALS MUST BE ORDERED SEPARATELY - SEE SECTION 8.

# SECTION 2 GROUND COMPONENTS

**FIGURE 2-10. HOOD INSTALLATIONS**

FIG & ITEM #	PART NUMBER	DESCRIPTION	QTY.	REV.
	0256292	<b>HOOD INSTALLATION</b>	Ref.	7
1	4845301	Door, Side (Engine Side)	1	
2	2560124	Handle, Lift	4	
3	4845297	Panel (Engine Side Rear)	1	
4	4845300	Door, Top	2	
5	2600217	Hinge	4	
6	0641405	Bolt 1/4"-20NC x 5/8"	48	
7	4711400	Flatwasher 1/4" (Narrow)	106	
8	3311405	Locknut 1/4"-20NC	53	
9	3539690	Plate, Air Intake	1	
10	4845296	Panel (Engine Side Front)	1	
11	0641406	Bolt 1/4"-20NC x 3/4"	5	
12	3539542	Panel, Top	2	
13	3539701	Panel (Valve Side Rear)	1	
14	3539700	Panel (Valve Side Front)	1	
15	2940095	Latch, Rubber	4	
16	3820019	Rivet	16	
17	4845316	Door, Side (Valve Side)	1	
18	0940036	Bumper	4	
19	4060925	Shield	1	
20	3571696	Plate, J-Channel (S/N 67933 to Present)	1	

# SECTION 2 GROUND COMPONENTS

FIGURE 2-10. HOOD INSTALLATIONS (CONTINUED)

**S  
E  
C  
T  
I  
O  
N  
  
2  
  
G  
R  
O  
U  
N  
D  
  
C  
O  
M  
P  
O  
N  
E  
N  
T  
S**

FIG & ITEM #	PART NUMBER	DESCRIPTION	QTY.	REV.



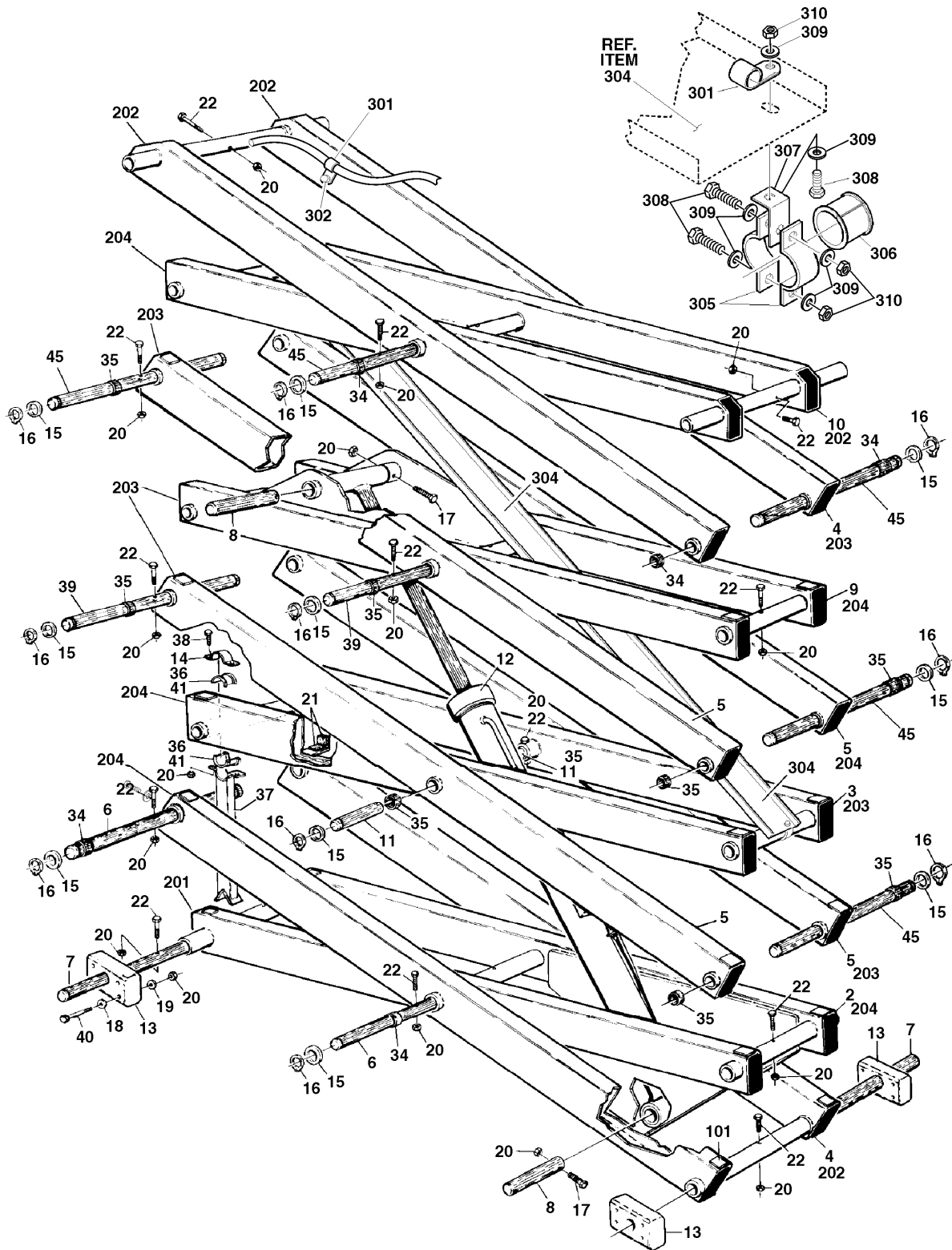
# SECTION 3 SCISSOR ARMS

TABLE OF CONTENTS		
FIGURE	DESCRIPTION	PAGE
3-1	Scissor Arms Installation. . . . .	3-2

**S  
E  
C  
T  
I  
O  
N  
  
3  
  
S  
C  
I  
S  
S  
O  
R  
  
A  
R  
M  
S**

# SECTION 3 SCISSOR ARMS

FIGURE 3-1. SCISSOR ARMS INSTALLATION



SECTION 3 SCISSOR ARMS

# SECTION 3 SCISSOR ARMS

**FIGURE 3-1. SCISSOR ARMS INSTALLATION**

FIG & ITEM #	PART NUMBER	DESCRIPTION	QTY.	REV.
		<b>SCISSOR ARMS INSTALLATIONS</b>	Ref.	
	0256355	<b>Standard Machines</b>	Ref.	12
	0256827	<b>CSA Machines</b>	Ref.	9
1	Not Used			
2	0200531	Arm Weldment (Bottom Inboard)	1	
3	0200532	Arm Weldment (Lower Mid Inboard)	1	
4	0200533	Arm Weldment (Bottom & Top Outboard)	2	
5	0200537	Arm Weldment (Lower & Upper Mid Outboard)	4	
6	3422483	Pin	2	
7	3422487	Pin	2	
8	3422485	Pin	2	
9	0200535	Arm Weldment (Upper Mid Inboard)	1	
10	0200536	Arm Weldment (Top Inboard)	1	
11	3422488	Pin	2	
12		Lift Cylinder Assembly Options: (See Section 5 for Break-down)	1	
	1683363	Prior to S/N 26916		
	1683474	S/N 26916 to Present		
13	3340807	Pad, Slide	4	
14	4240125	Strap	1	
15	4740438	Washer, Special	14	
16	3760387	Ring, Retaining	14	
17	0641522	Bolt 5/16"-18NC x 2 3/4" (Not Shown)	2	
18	4711500	Flatwasher 5/16" (Narrow)	8	
19	4751500	Flatwasher 5/16"	8	
20	3311505	Locknut 5/16"-18NC	24	
21		Pad Options:	3	
	3340645	Prior to S/N 47184		
	3340841	S/N 47184 to Present		
22	0681520	Bolt 5/16"-18NC x 2 1/2" (Grade 8)	12	
23 to 33	Not Used			
34	0962010	Bushing, Garmax	8	
35	0962010	Bushing, Garmax	12	
36	0962015	Bushing, Split (Prior to S/N 27285 Only)	1	
37		Safety Prop Options:	1	
	4845040	Standard Machines (Prior to S/N 27285)		
	4845431	Standard Machines (S/N 27285 to S/N 42356)		
	4845475	Standard Machines (S/N 42356 to Present)		
	4845431	CSA Machines (Prior to S/N 42356)		
	4845475	CSA Machines (S/N 42356 to Present)		
38	0641508	Bolt 5/16"-18NC x 1"	2	
39		Pin, Options:	2	
	3422554	Standard Machines (Prior to S/N 37797)		
	3422597	Standard Machines (S/N 37797 to Present)		
	3422587	CSA Machines		
40	0641516	Bolt 5/16"-18NC x 2"	8	
41	4240128	Strap (S/N 30515 to Present)	1	

# SECTION 3 SCISSOR ARMS

**FIGURE 3-1. SCISSOR ARMS INSTALLATION (CONTINUED)**

FIG & ITEM #	PART NUMBER	DESCRIPTION	QTY.	REV.
42 to 44	Not Used			
45		Pin, Options:	5	
	3422483	Standard Machines		
	3422587	CSA Machines		
		-----		
		Arm Kit Options: (Includes Items 2-5, 9, 10 & 37)	1	
	2901352	Prior to S/N 42356		
	2901504	S/N 42356 to Present		
	0252587	<b>ARM PADS INSTALLATION</b>	Ref.	3
101		Pads Options:	24	
	3340645	Prior to S/N 47189		
	3340841	S/N 47189 to Present		
	0256064	<b>ARM CAPS INSTALLATION</b>	Ref.	2
201	1120474	Cap, Arm	2	
202	1120475	Cap, Arm	6	
203	1120472	Cap, Arm	14	
204	1120473	Cap, Arm	10	
205	0100080	Adhesive (Not Shown)	A/R	
	0256608	<b>TRAY &amp; CLAMPS INSTALLATION</b>	Ref.	5
301	1320061	Clamp	12	
302	3941406	Screw, Self-Tapping 1/4" x 3/4"	8	
303	4240127	Tie-Strap (Not Shown)	16	
304	3539265	Tray	1	
305	4240125	Strap	4	
306	0962015	Bushing, Split	2	
307	4240116	Strap, Mounting	2	
308		Bolt Options:	A/R	
	0641406	Bolt 1/4"-20NC x 3/4" (Prior to S/N 48299)	8	
	0641508	Bolt 5/16"-18NC x 1" (S/N 48299 to Present)	6	
309		Flatwasher Options:	A/R	
	4751400	Flatwasher 1/4" (Prior to S/N 48299)	20	
	4751500	Flatwasher 5/16" (S/N 48299 to Present)	12	
310		Locknut 1/4"-20NC	A/R	
	3311405	Locknut 1/4"-20NC (Prior to S/N 48299)	10	
	3311505	Locknut 5/16"-18NC (S/N 48299 to Present)	6	
311	4240033	Tie-Strap (Not Shown)	30	
312	4460052	Connector, Strain Relief (Not Shown - Located on Platform)	1	
313	2540002	Grommet, Nylon (Not Shown)	A/R	

**SECTION 3 SCISSOR ARMS**

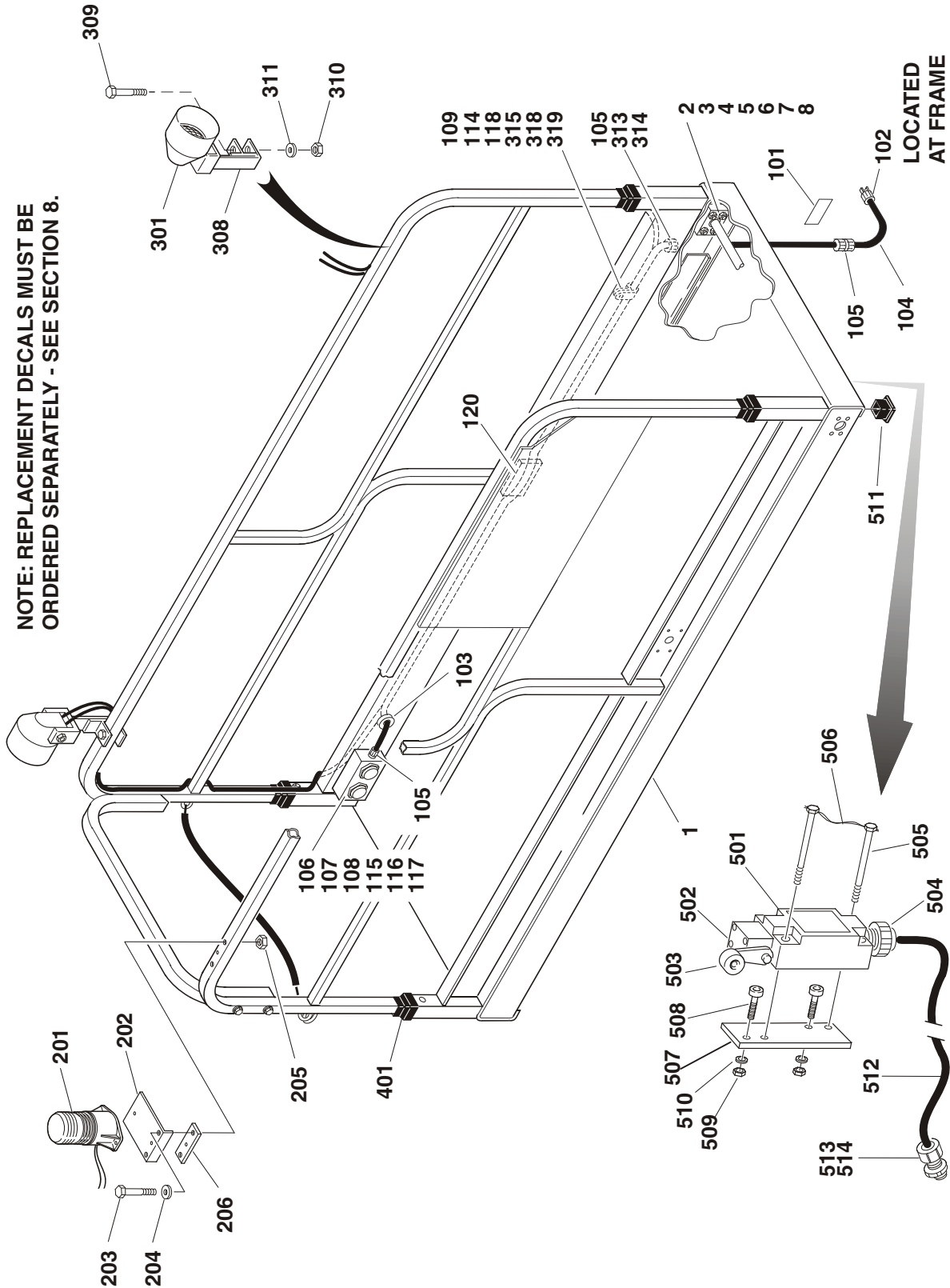
# SECTION 4 PLATFORM

<b>TABLE OF CONTENTS</b>		
<b>FIGURE</b>	<b>DESCRIPTION</b>	<b>PAGE</b>
4-1	Platform Components Installation - Manual Operated Extension . . . . .	4-2
4-2	Standard Handrails & Extension Installation (Manually Operated Platform) . . . . .	4-6
4-3	Wide Platform Handrails & Extension Installation (Manually Operated Platform) . . . . .	4-10
4-4	Folddown Handrails & Extension Installation (Manually Operated Platform) . . . . .	4-14
4-5	Platform Console Box Assembly . . . . .	4-18
4-6	Controller Assembly (Prior to S/N 58990) . . . . .	4-22
4-7	Controller Assembly (S/N 58990 to Present) . . . . .	4-24

SECTION 4 PLATFORM

# SECTION 4 PLATFORM

FIGURE 4-1.PLATFORM COMPONENTS INSTALLATION - MANUALLY OPERATED EXTENSION



MORFORM 4 PLATFORMS

# SECTION 4 PLATFORM

**FIGURE 4-1. PLATFORM COMPONENTS INSTALLATION - MANUALLY OPERATED EXTENSION**

FIG & ITEM #	PART NUMBER	DESCRIPTION	QTY.	REV.
		<b>PLATFORM INSTALLATION OPTIONS:</b>	Ref.	
	0256413	<b>Standard Machines</b>	Ref.	2
	0256558	<b>Wide Machines (Optional)</b>	Ref.	2
1		Platform Weldment Options:	1	
	3510530	Standard Machines		
	3510541	Wide Machines		
2	3340629	Block, Slide Pad	4	
3	3421895	Pin, Attach	2	
4		Bushing, Spacer Options:	4	
	0962069	Prior to S/N 42615		
	0962154	S/N 42615 to Present		
5	0641522	Bolt 5/16"-18NC x 2 3/4"	8	
6	4751500	Flatwasher 5/16"	8	
7	4711500	Flatwasher 5/16" (Narrow)	8	
8	3311505	Locknut 5/16"-18NC	8	
		<b>RECEPTACLE INSTALLATION OPTIONS:</b>	Ref.	
	0256531	<b>110Volt AC Receptacle (Standard)</b>	Ref.	3
	0256533	<b>110Volt AC Receptacle (Ground Fault Interrupt)</b>	Ref.	3
	0256532	<b>110Volt AC Receptacle (U/L Approved)</b>	Ref.	A
	0256951	<b>220Volt AC Receptacle (Standard)</b>	Ref.	3
101		Nameplate Options:	1	
	3251243	120V/60HZ		
	3252507	220V/60HZ		
102		Plug, Connector Options:	1	
	4460138	110Volt - Standard		
	4460205	110Volt - Ground Fault Interrupt		
	Supply Locally	220Volt - Standard		
103	2540002	Grommet	A/R	
104	1060308	Cable, Electrical - 12/3	49ft/15m	
105	4460051	Connector, Strain Relief	2	
106	0860038	Box, Receptacle	1	
107		Receptacle, Electrical Options:	1	
	4460190	110Volt - Standard		
	4460346	110Volt - Ground Fault Interrupt		
108		Cover, Weatherproof Options:	1	
	4060092	110Volt/220Volt - Standard		
	4060700	110Volt - Ground Fault Interrupt		
	Supply Locally	220Volt - Standard		
109	1320061	Clamp	4	
110 to 113	Not Used			
114	3311505	Locknut 5/16"-18NC	A/R	
115		Hardware Options:	A/R	
	0721006	Bolt #10-24NC x 3/4" (Prior to S/N 44279)		
	3900256	Self-Tapping #10-24NC x 1 1/4" (S/N 44279 to Present)		

**SECTION 4 PLATFORM**

# SECTION 4 PLATFORM

**FIGURE 4-1. PLATFORM COMPONENTS INSTALLATION - MANUALLY OPERATED EXTENSION**

FIG & ITEM #	PART NUMBER	DESCRIPTION	QTY.	REV.
116	4711000	Flatwasher #10	A/R	
117	4761000	Lockwasher #10	A/R	
118	0641505	Bolt 5/16"-18NC x 5/8"	26	
119	4240033	Tie-Strap (Not Shown)	16	
120	2820025	Guard, Plastic Spring	1	
		<b>OPTIONAL BEACON LIGHT INSTALLATION OPTIONS:</b>	Ref.	
	0253478	<b>Non U/L</b>	Ref.	—
	0253479	<b>U/L</b>	Ref.	—
201		Light, Beacon Options:	1	
	2920087	Amber		
	7012688	Bulb, Flashtube (Triplite Version)	A/R	
	7016603	Bulb, Flashtube (J.W. Speaker Version)	A/R	
	2920092	Amber - U/L Approved		
202	0901546	Bracket, Mounting	1	
203	0641418	Bolt 1/4"-20NC x 2 1/4"	2	
204	4761400	Lockwasher 1/4"	2	
205	3311401	Nut 1/4"-20NC	2	
206	0362063	Bar, Spacer	1	
207	1060341	Cable, Electrical - 16-2 (Not Shown)	64ft/19.5m	
		<b>OPTIONAL WORKLIGHTS INSTALLATION OPTIONS:</b>	Ref.	
	0256535	<b>Standard Rails</b>	Ref.	3
	0258925	<b>Fold-Down Rails</b>	Ref.	1
301	2920111	Worklight	2	
302	1060341	Cable, Electrical - 16/2 (Not Shown)	65ft/20m	
303 to 307	Not Used			
308	0901930	Bracket	2	
309	0641416	Bolt 1/4"-20NC x 2"	2	
310	3311405	Locknut 1/4"-20NC	2	
311	4751400	Flatwasher 1/4"	4	
312	4240033	Tie-Strap (Not Shown)	12	
313		Connector, Strain Relief Options:	1	
	4460071	Prior to S/N 45752		
	4460051	S/N 45752 to Present		
314	3300048	Locknut, Conduit	1	
315	1320041	Clamp (Not Required on Fold-Down Rails)	5	
316 to 317	Not Used			
318	0641505	Bolt 5/16"-18NC x 5/8" (Not Required on Fold-Down Rails)	2	
319	3311505	Locknut 5/16"-18NC (Not Required on Fold-Down Rails)	2	

**SECTION 4 PLATFORM**



# SECTION 4 PLATFORM

**FIGURE 4-1. PLATFORM COMPONENTS INSTALLATION - MANUALLY OPERATED EXTENSION**

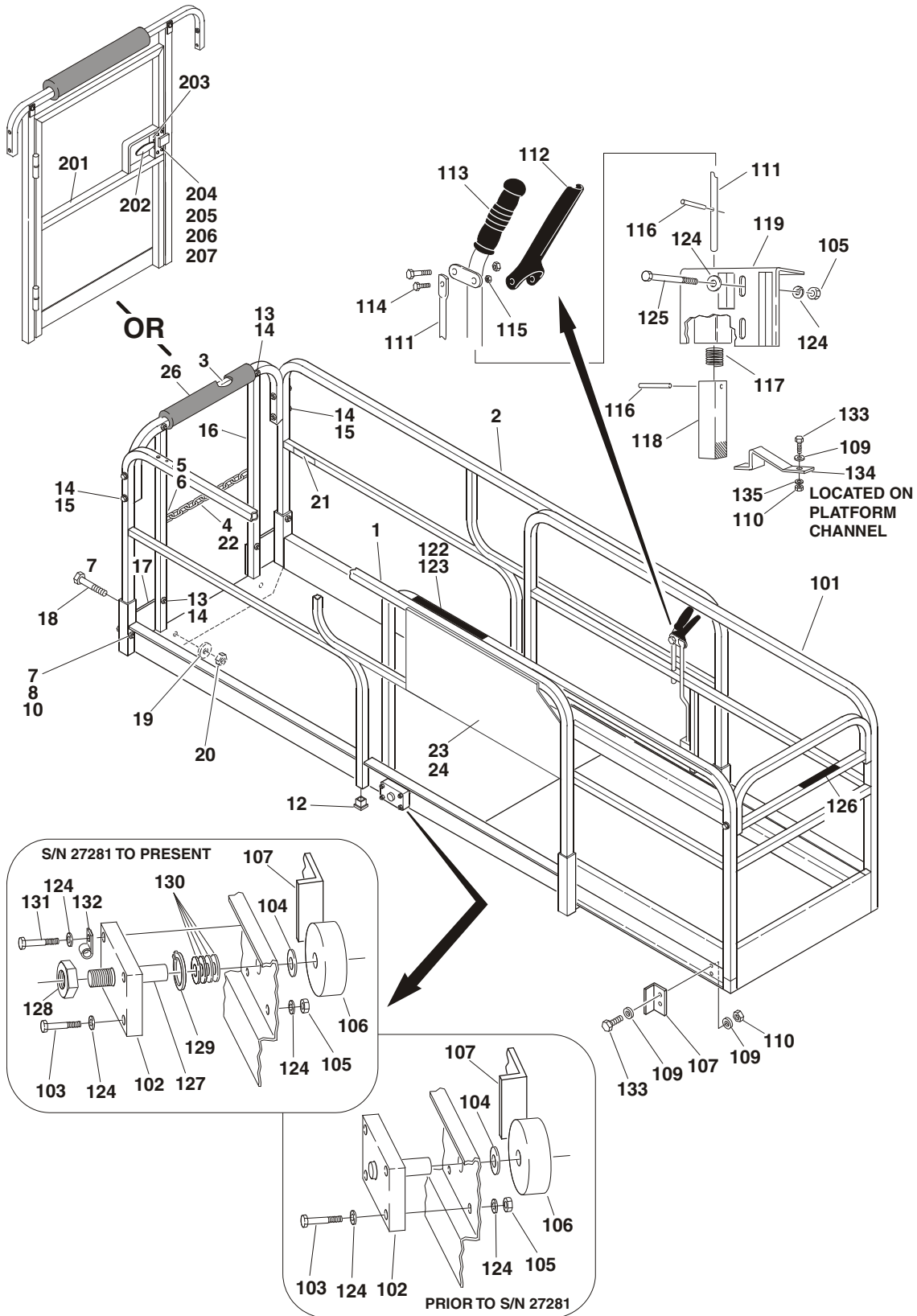
FIG & ITEM #	PART NUMBER	DESCRIPTION	QTY.	REV.
	0256609	<b>RAIL BOOT INSTALLATION</b>	Ref.	—
401	0840035	Boot	4	
	0256691	<b>PLATFORM EXTENSION INTERLOCK INSTALLATION</b>	Ref.	—
501	4360277	Switch, Limit	1	
502	4360236	Head, Switch	1	
503	4360278	Arm & Roller Assembly	1	
504	4460052	Connector, Strain Relief	2	
505	3900168	Screw, Special	2	
506	4920140	Lockwire	2	
507	3534995	Plate, Switch Mounting	1	
508	3931416	Bolt, Socket Head 1/4"-20NC x 1"	2	
509	3311401	Nut 1/4"-20NC	2	
510	4761400	Lockwasher 1/4"	2	
511	3520072	Plug, Cap	1	
512	1060341	Cable, Electrical - 16/2	54ft/16.5m	
513	3300047	Locknut	1	
514	0960239	Bushing	1	

SECTION 4 PLATFORM

# SECTION 4 PLATFORM

FIGURE 4-2. STANDARD HANDRAILS & EXTENSION INSTALLATION (MANUALLY OPERATED PLATFORM)

SECTION 4 PLATFORM



# SECTION 4 PLATFORM

**FIGURE 4-2. STANDARD HANDRAILS & EXTENSION INSTALLATION (MANUALLY OPERATED PLATFORM)**

FIG & ITEM #	PART NUMBER	DESCRIPTION	QTY.	REV.
		<b>STANDARD HANDRAILS INSTALLATIONS OPTIONS:</b>	Ref.	
	0251395	<b>Standard (Prior to S/N 38569)</b>	Ref.	9
	0257696	<b>Standard (S/N 38569 to S/N 52320)</b>	Ref.	4
	0257985	<b>CSA (Prior to S/N 52320)</b>	Ref.	4
	0258632	<b>Standard &amp; CSA (S/N 52320 to Present)</b>	Ref.	2
	0256701	<b>Standard - Safety Attach Points (Prior to S/N 38569)</b>	Ref.	1
	0257698	<b>Standard - Safety Attach Points (S/N 38569 to S/N 52320)</b>	Ref.	4
	0257990	<b>Japanese Spec - Safety Attach Points (Prior to S/N 52320)</b>	Ref.	3
	0257986	<b>CSA - Safety Attach Points (Prior to S/N 52320)</b>	Ref.	4
1		Handrail - Right Side Options:	1	
	3640727	Standard (Prior to S/N 38569)		
	3641210	Standard & CSA (S/N 38569 to S/N 52320)		
	3641281	Standard & CSA (S/N 52320 to Present)		
	3641130	Safety Attach Points (Prior to S/N 38569)		
	3641213	Safety Attach Points (S/N 38569 to Present)		
2		Handrail - Left Side Options:	1	
	3640728	Standard & CSA (Prior to S/N 52320)		
	3641300	Standard (S/N 52320 to Present)		
	3641131	Safety Attach Points		
3	4565203	Tube, Handrail - Rear	1	
4	1260136	Chain	2ft/.61m	
5	3010088	Link	2	
6	Use 1001101076	Snap-Latch (Includes Item 5) (was p/n 2940064)	1	
7	0641420	Bolt 1/4"-20NC x 2 1/2"	A/R	
8		Flatwasher Options:	A/R	
	4711400	Flatwasher 1/4" (Narrow) (Prior to S/N 38569)		
	4751400	Flatwasher 1/4" (Wide) (S/N 38569 to Present)		
9	Not Used			
10	3311405	Locknut 1/4"-20NC	A/R	
11	Not Used			
12	3520072	Plug, Cap	A/R	
13	3300373	Nut, Joint Connector 1 1/4"	A/R	
14	3900184	Screw, Button Head #10-24NC x 5/8"	12	
15	3300375	Nut, Joint Connector 2 3/8"	4	
16		Tube, Handrail - Rear Vertical Options:	2	
	3640713	Standard (Prior to S/N 52320)		
	3641283	Standard & CSA (S/N 52320 to Present)		
	3641268	CSA (Prior to S/N 52320)		
17	3534743	Kickplate - Rear	2	
18	0641608	Bolt 3/8"-16NC x 1"	4	
19	4751600	Flatwasher 3/8"	4	
20	3311605	Locknut 3/8"-16NC	2	
21	1702612	Decal - Safety Attach (With Safety Attach Points Only)	2	

SECTION 4 PLATFORM

# SECTION 4 PLATFORM

**FIGURE 4-2. STANDARD HANDRAILS & EXTENSION INSTALLATION (MANUALLY OPERATED PLATFORM) (CONTINUED)**

FIG & ITEM #	PART NUMBER	DESCRIPTION	QTY.	REV.
22	2820097	Tubing, Mesh	2ft/.61m	
23	3570381	Plate, Placard	1	
24	3820019	Rivet	6	
25	0100011	Loctite #242 (Not Shown)	A/R	
26	3340612	Pad	1.5ft/.46m	
		<b>PLATFORM EXTENSION INSTALLATIONS OPTIONS:</b>	Ref.	
	0251250	<b>Standard (Prior to S/N 43782)</b>	Ref.	8
	0258291	<b>Standard (S/N 43782 to S/N 52320)</b>	Ref.	1
	0257477	<b>CSA (Prior to S/N 52320)</b>	Ref.	4
	0258649	<b>Standard &amp; CSA (S/N 52320 to Present)</b>	Ref.	1
	0254082	<b>Japanese Spec</b>	Ref.	3
101		Weldment, Extension Options:	1	
	3510317	Standard (Prior to S/N 52320)		
	3510591	CSA (Prior to S/N 52320)		
	3510669	Standard & CSA (S/N 52320 to Present)		
102		Mounting Weldment - Roller Options:	4	
	4843706	Prior to S/N 26763		
	3537619	S/N 26763 to Present		
103	0641510	Bolt 5/16"-18NC x 1 1/8"	15	
104		Shim Options: (Prior to S/N 43782)	A/R	
	4712200	Steel		
	4740066	Bronze		
105	3311505	Locknut 5/16"-18NC	18	
106		Roller Options:	4	
	3860052	Prior to S/N 26763		
	3860059	S/N 26763 to Present		
107	0181684	Angle, Stop	4	
108	Not Used			
109	4711400	Flatwasher 1/4" (Narrow)	12	
110	3311405	Locknut 1/4"-20NC	12	
111	3841074	Rod, Release	1	
112	2980113	Release Lever Assembly	1	
113	2560088	Grip, Handle	1	
114	0641406	Bolt 1/4"-20NC x 3/4"	1	
115	3311405	Locknut 1/4"-20NC	1	
116	3422723	Rollpin 1/8" x 7/8"	2	
117	4160078	Spring	1	
118	0361912	Bar, Latch	1	
119	2940061	Latch, Weldment	1	
120	Not Used			
121	Not Used			
122		Nameplate - Capacity Options: (Prior to S/N 43782)	1	
	3251852	Standard & CSA		
	3252296	Japanese Spec		
123	3820001	Rivet (Prior to S/N 26763 Only)	2	

**SECTION 4 PLATFORM**

# SECTION 4 PLATFORM

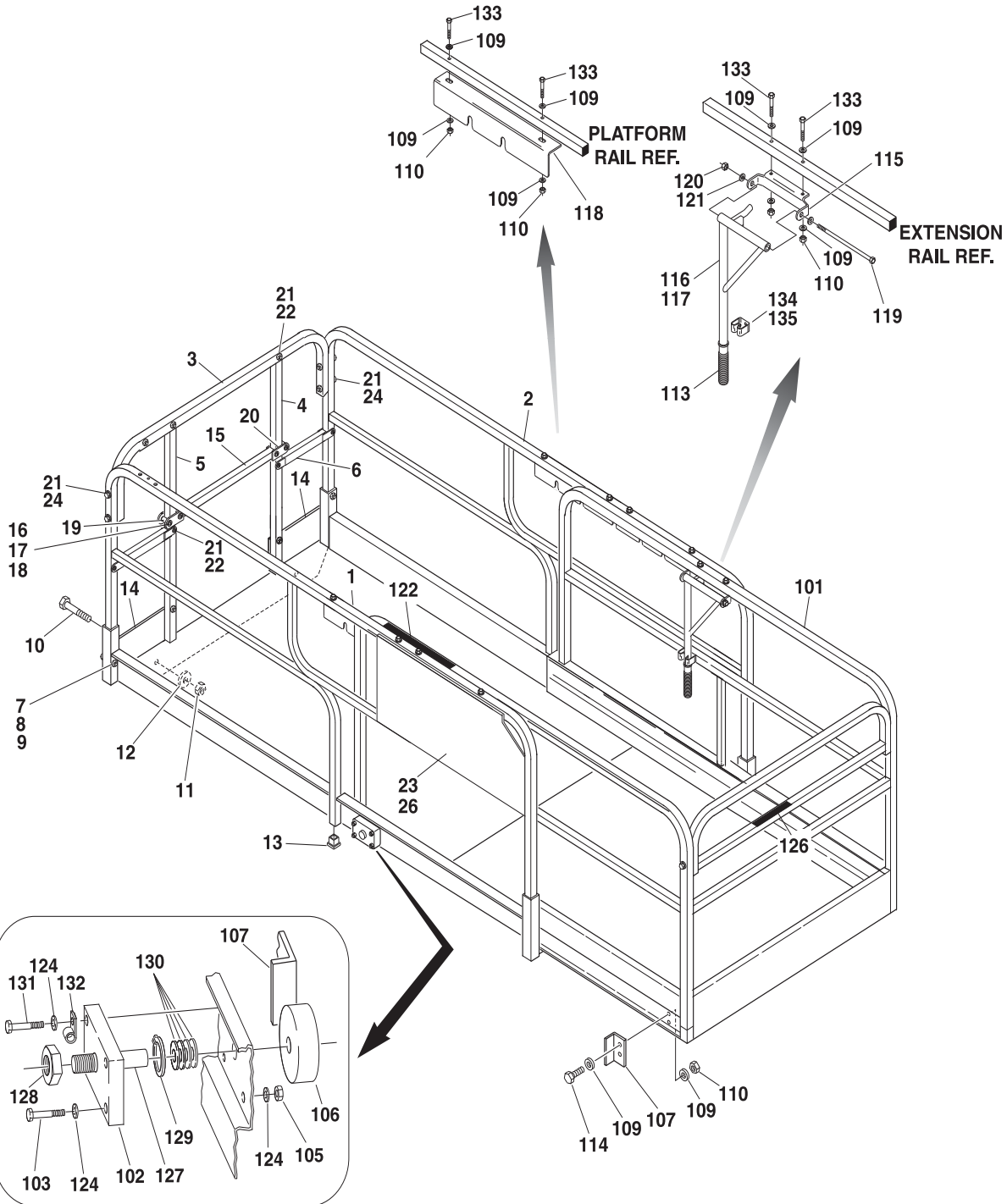
**FIGURE 4-2. STANDARD HANDRAILS & EXTENSION INSTALLATION (MANUALLY OPERATED PLATFORM) (CONTINUED)**

FIG & ITEM #	PART NUMBER	DESCRIPTION	QTY.	REV.
124	4751500	Flatwasher 5/16"	22	
125	0641516	Bolt 5/16"-18NC x 2"	2	
126	3252136	Nameplate - Control Box Location	1	
127	3841233	Rod, Roller (S/N 26763 to present Only)	4	
128		Nut, Jam Options:	4	
	3312202	Nut, Jam 3/4"-10NC (Prior to S/N 43782)		
	3322202	Nut, Jam 3/4"-10NF (S/N 43782 to Present)		
129	3760348	Ring, Retaining (S/N 26763 to present Only)	4	
130	4752200	Flatwasher 3/4" (S/N 26763 to present Only)	4	
131	0641512	Bolt 5/16"-18NC x 1 1/2" (S/N 26763 to present Only)	1	
132	1320224	Clamp (S/N 26763 to present Only)	1	
133	0641405	Bolt 1/4"-20NC x 5/8"	12	
134	0901830	Bracket, Extension Latch (S/N 40589 to Present)	2	
135	4791400	Washer, Star 1/4" (S/N 40589 to Present)	4	
	2901573	Latch Kit (Includes Items 111, 116-119 & 134)	1	
	0252693	<b>PLATFORM ACCESS GATE (OPTIONAL)</b>	Ref.	—
201	1780267	Door Weldment	1	
202	2560010	Handle, Latch	1	
203	2940006	Latch	1	
204	3911016	Screw, Round Head #10-24NC x 1"	4	
205	4761000	Lockwasher #10	4	
206	4751000	Flatwasher #10	4	
207	3311001	Nut #10-24NC	4	

SECTION 4 PLATFORM

# SECTION 4 PLATFORM

FIGURE 4-3. WIDE PLATFORM HANDRAILS & EXTENSION INSTALLATION (MANUALLY OPERATED PLATFORM)



SECTION 4 PLATFORM

# SECTION 4 PLATFORM

**FIGURE 4-3. WIDE PLATFORM HANDRAILS & EXTENSION INSTALLATION (MANUALLY OPERATED PLATFORM)**

FIG & ITEM #	PART NUMBER	DESCRIPTION	QTY.	REV.
		<b>HANDRAILS INSTALLATION OPTIONS:</b>	Ref.	
	0257225	<b>Standard (Prior to S/N 35882)</b>	Ref.	1
	0257719	<b>Standard (S/N 35882 to S/N 52320)</b>	Ref.	1
	0257720	<b>CSA (Prior to S/N 52320)</b>	Ref.	2
	0258636	<b>Standard &amp; CSA (S/N 52320 to Present)</b>	Ref.	2
1		Handrail - Right Side Options:	1	
	3640727	Standard (Prior to S/N 35882)		
	3641210	Standard (S/N 35882 to S/N 52320)		
	3641215	CSA (Prior to S/N 52320)		
	3641281	Standard & CSA (S/N 52320 to Present)		
2		Handrail - Left Side	1	
	3641173	Standard (Prior to S/N 52320)		
	3641193	CSA (Prior to S/N 52320)		
	3641282	Standard & CSA (S/N 52320 to Present)		
3	4567057	Tube, Handrail - Rear	1	
4		Rail Weldment - End (Left Side)	1	
	3640730	Prior to S/N 35882		
	3641194	S/N 35882 to S/N 52320		
	3641288	S/N 52320 to Present		
5		Rail Weldment - End (Right Side)	1	
	3640731	Prior to S/N 35882		
	3641195	S/N 35882 to S/N 52320		
	3641289	S/N 52320 to Present		
6	3641160	Rail Weldment - Mid (Rear)	2	
7	0641420	Bolt 1/4"-20NC x 2 1/2"	4	
8	4751400	Flatwasher 1/4" (Wide)	A/R	
9	3311405	Locknut 1/4"-20NC	4	
10	0641608	Bolt 3/8"-16NC x 1"	2	
11	3311605	Locknut 3/8"-16NC	2	
12	4751600	Flatwasher 3/8"	4	
13	3520072	Plug, Cap	4	
14	3539838	Kickplate - Rear	2	
15	3640614	Rail Weldment - End (Gate)	1	
16	3911034	Screw, Round Head #10-24NC x 2 1/4"	4	
17	4751000	Flatwasher #10	4	
18	3311005	Locknut #10-24NC	4	
19	0961833	Bushing, UHMW	4	
20	4420055	Tape, UHMW	A/R	
21	3900184	Screw, Button Head #10-24NC x 5/8"	16	
22	3300373	Nut, Joint Connector 1 1/4"	12	
23	3820019	Rivet	6	
24	3300375	Nut, Joint Connector 2 3/8"	4	
25	0100011	Loctite #242 (Not Shown)	A/R	
26	3570381	Plate, Placard (S/N 35882 to Present)	1	

SECTION 4 PLATFORM

# SECTION 4 PLATFORM

**FIGURE 4-3. WIDE PLATFORM HANDRAILS & EXTENSION INSTALLATION (MANUALLY OPERATED PLATFORM) (CONTINUED)**

FIG & ITEM #	PART NUMBER	DESCRIPTION	QTY.	REV.
		<b>PLATFORM EXTENSION INSTALLATION OPTIONS:</b>	Ref.	
	0257487	<b>Prior to S/N 52320</b>	Ref.	1
	0258646	<b>S/N 52320 to Present</b>	Ref.	2
101		Extension Weldment Options:	1	
	3510594	Prior to S/N 52320	1	
	3510671	S/N 52320 to Present	1	
102	3537619	Mounting Weldment - Roller	4	
103	0641510	Bolt 5/16"-18NC x 1 1/8"	15	
104	Not Used			
105	3311505	Locknut 5/16"-18NC	16	
106	3860059	Roller	4	
107	0181684	Angle, Stop	4	
108	Not Used			
109	4711400	Flatwasher 1/4" (Narrow)	28	
110	3311405	Locknut 1/4"-20NC	16	
111	Not Used			
112	Not Used			
113	2560088	Grip, Handle	2	
114	0641416	Bolt 1/4"-20NC x 2"	8	
115	3537609	Plate	2	
116	4845427	Handle, Weldment (Left Side)	1	
117	4845428	Handle, Weldment (Right Side)	1	
118	3570090	Latch	2	
119	0641676	Bolt 3/8"-16NC x 9 1/2"	2	
120	3311605	Locknut 3/8"-16NC	2	
121	4711600	Flatwasher 3/8"	4	
122	3252080	Nameplate - Capacity (Prior to S/N 52320)	1	
123	Not Used			
124	4751500	Flatwasher 5/16"	16	
125	Not Used			
126	3252136	Nameplate - Control Box Location (Prior to S/N 52320)	1	
127	3841233	Rod, Roller	4	
128	3312202	Nut, Jam 3/4"-10NC	4	
129	3760348	Ring, Retaining	4	
130	4752200	Flatwasher 3/4"	4	
131	0641512	Bolt 5/16"-18NC x 1 1/2"	1	
132	1320061	Clamp	1	
133	3911432	Screw, Round Head 1/4"-20NC x 2"	8	
134	1380132	Clip, Gripper	2	
135	3941004	Self-Tapping	2	

**SECTION 4 PLATFORM**



# SECTION 4 PLATFORM

FIGURE 4-3. WIDE PLATFORM HANDRAILS & EXTENSION INSTALLATION (MANUALLY OPERATED PLATFORM) (CONTINUED)

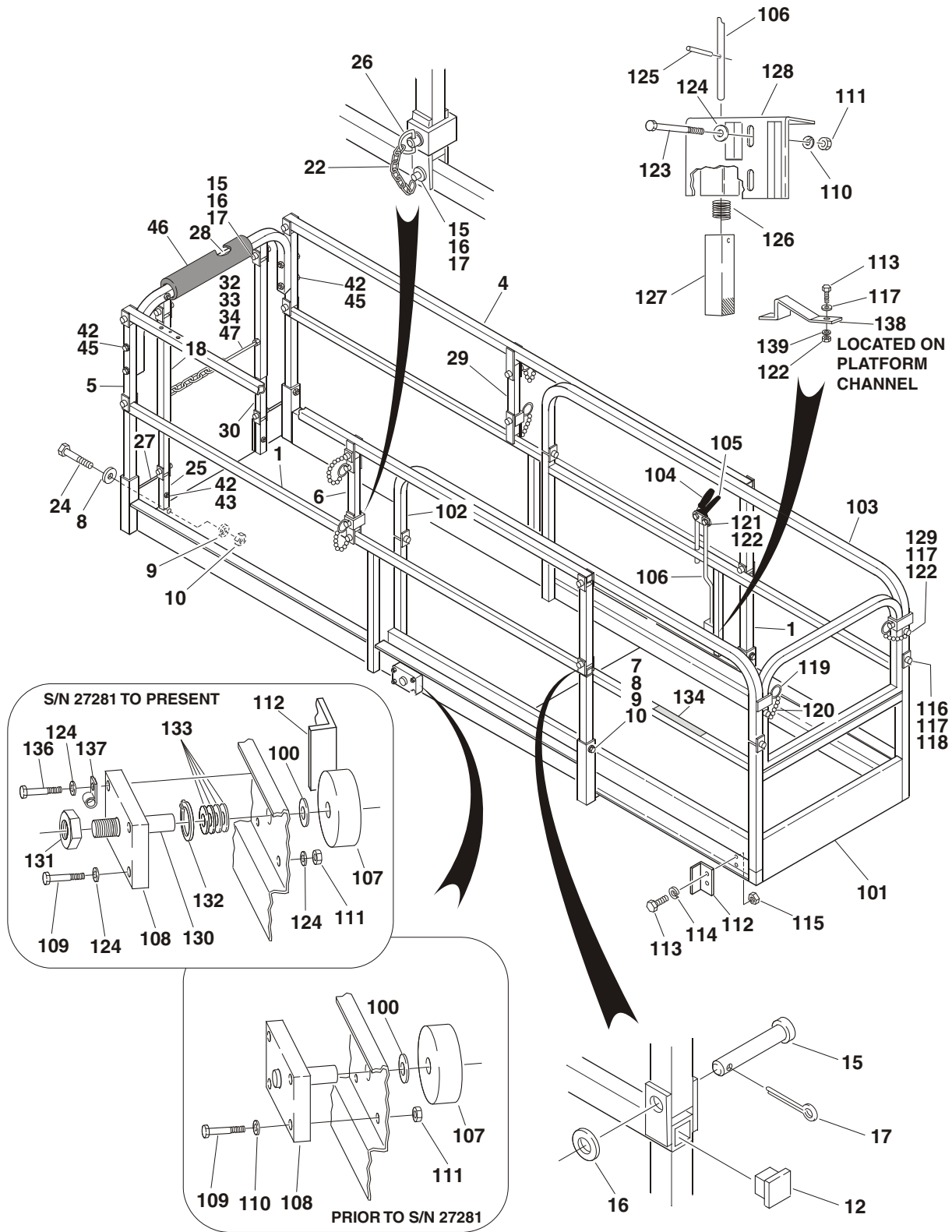
FIG & ITEM #	PART NUMBER	DESCRIPTION	QTY.	REV.

**S  
E  
C  
T  
I  
O  
N  
  
4  
  
P  
L  
A  
T  
F  
O  
R  
M**

# SECTION 4 PLATFORM

FIGURE 4-4.FOLDDOWN HANDRAILS & EXTENSION INSTALLATION (MANUALLY OPERATED PLATFORM)

SECTION 4 PLATFORM



# SECTION 4 PLATFORM

**FIGURE 4-4. FOLDDOWN HANDRAILS & EXTENSION INSTALLATION (MANUALLY OPERATED PLATFORM)**

FIG & ITEM #	PART NUMBER	DESCRIPTION	QTY.	REV.
		<b>FOLDDOWN HANDRAILS INSTALLATIONS OPTIONS:</b>	Ref.	
	0252679	<b>Standard</b>	Ref.	5
	0257463	<b>CSA</b>	Ref.	4
1	3640738	Handrail - Lower Side	2	
2	Not Used			
3	Not Used			
4	3640740	Handrail - Top Side	2	
5	4565191	Tube - Ends	4	
6	3640742	Tube - Center (Right Side)	1	
7	0641424	Bolt 1/4"-20NC x 3"	A/R	
8	4751400	Flatwasher 1/4"	24	
9	4761400	Lockwasher 1/4"	18	
10	3311401	Nut 1/4"-20NC	18	
11	Not Used			
12	3520072	Plug, Cap	22	
13	Not Used			
14	Not Used			
15	3430416	Pin, Clevis 1/4" x 2"	16	
16	4711400	Flatwasher 1/4"	42	
17	3450203	Pin, Cotter 1/16" x 3/4"	16	
18	3640743	Handrail - Top Rear Vertical	2	
19	Not Used			
20	Not Used			
21	Not Used			
22	1260017	Chain (4 Lengths 7in/17.8cm each)	28in/.7m	
23	Not Used			
24	0641408	Bolt 1/4"-20 x 1"	4	
25	3640761	Handrail - Bottom Rear Vertical	2	
26	3421913	Pin, Quick Release	4	
27	3535492	Kickplate - Rear	2	
28	3640745	Handrail - Rear	1	
29	3640753	Tube - Center (Left Side)	1	
30	4565261	Handrail - Center Rear Vertical	2	
31	Not Used			
32	1260136	Chain	2.5ft/.8m	
33	3010088	Link	2	
34	Use 1001101076	Snap-Latch (Includes Item 33) (was p/n 2940064)	1	
35 to 41	Not Used			
42	3900184	Screw, Button Head #10-24NC x 5/8"	10	
43	3300373	Nut, Joint Connector 1 1/4"	6	
44	Not Used			
45	3300375	Nut, Joint Connector 2 3/8"	4	
46	3340564	Pad	1	
47	2820097	Tubing, Mesh	2.5ft/.8m	
48	0100011	Loctite #242 (Not Shown)	A/R	

SECTION 4 PLATFORM

# SECTION 4 PLATFORM

**FIGURE 4-4. FOLDDOWN HANDRAILS & EXTENSION INSTALLATION (MANUALLY OPERATED PLATFORM) (CONTINUED)**

FIG & ITEM #	PART NUMBER	DESCRIPTION	QTY.	REV.
		<b>PLATFORM EXTENSION INSTALLATION OPTIONS:</b>	Ref.	
	0253392	<b>Standard (Prior to S/N 43782)</b>	Ref.	4
	0258292	<b>Standard (S/N 43782 to Present)</b>	Ref.	1
	0257485	<b>CSA (S/N 37163 to Present)</b>	Ref.	3
100		Shim Options:	A/R	
	4712200	Flatwasher (Steel)		
	4740066	Flatwasher (Thin Bronze)		
101		Extension Weldment Options:	1	
	3510392	Standard		
	3510593	CSA		
102	3640749	Handrail - Right Side	1	
103	3640748	Handrail - Left Side	1	
104	2560088	Grip, Handle	1	
105	2980113	Release Lever Assembly	1	
106	3841201	Rod, Release	1	
107		Roller Options:	4	
	3860052	Prior to S/N 26763		
	3860059	S/N 26763 to Present		
108		Mounting Weldment - Roller Options:	4	
	4843706	Prior to S/N 26763		
	3537619	S/N 26763 to Present		
109	0641510	Bolt 5/16"-18NC x 1 1/4"	16	
110	4761500	Lockwasher 5/16" (Prior to S/N 34667)	18	
111		Nut Options:	18	
	3311501	Nut 5/16"-18NC (Prior to S/N 34667)		
	3311505	Locknut 5/16"-18NC (S/N 34667 to Present)		
112	0181684	Angle, Stop	4	
113	0641405	Bolt 1/4"-20NC x 5/8"	12	
114	4761400	Lockwasher 1/4" (Prior to S/N 34667)	12	
115	3311401	Nut 1/4"-20NC (Prior to S/N 34667)	8	
116	3430416	Pin, Clevis 1/4" x 2"	4	
117	4711400	Flatwasher 1/4" (Narrow)	16	
118	3450203	Pin, Clevis 1/16" x 3/4"	4	
119	3421913	Pin, Quick Release	2	
120	1260017	Chain (2 Lengths 7in/17.8cm each)	14in/35.6m	
121	0641406	Bolt 1/4"-20NC x 3/4"	1	
122	3311405	Locknut 1/4"-20NC	15	
123	0641516	Bolt 5/16"-18NC x 2"	2	
124	4751500	Flatwasher 5/16"	20	
125	3422723	Rollpin 1/8" x 7/8"	2	
126	4160078	Spring	1	
127	0361912	Bar, Latch	1	
128	2940061	Latch, Weldment	1	
129	0641416	Bolt 1/4"-20NC x 2"	2	
130	3841233	Rod, Roller	4	
131	3312202	Nut, Jam 3/4"-10NC	4	

**SECTION 4 PLATFORM**

# SECTION 4 PLATFORM

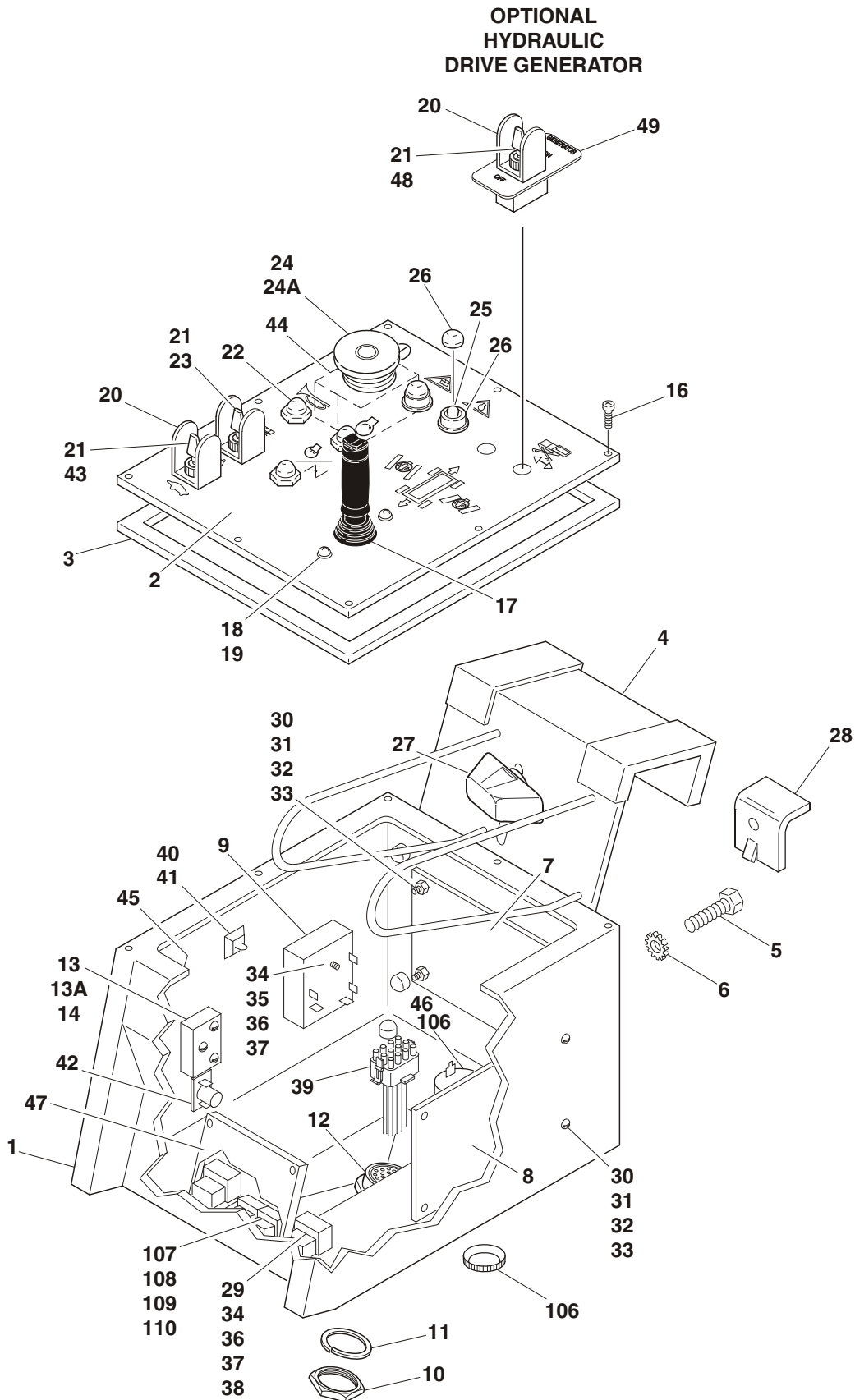
**FIGURE 4-4. FOLDDOWN HANDRAILS & EXTENSION INSTALLATION (MANUALLY OPERATED PLATFORM) (CONTINUED)**

FIG & ITEM #	PART NUMBER	DESCRIPTION	QTY.	REV.
132	3760348	Ring, Retaining	4	
133	4752200	Flatwasher 3/4"	4	
134	3251852	Nameplate - Capacity (Prior to S/N 43782)	1	
135	Not Used			
136	0641512	Bolt 5/16"-18NC x 1 1/2" (S/N 34667 to Present)	1	
137	1320224	Clamp (S/N 34667 to Present)	1	
138	0901830	Bracket, Extension Latch (S/N 40589 to Present)	2	
139	4791400	Washer, Star 1/4" (S/N 40589 to Present)	4	
	2901571	Latch Kit (Includes Items 106, 125-127 & 138)	1	

**SECTION 4 PLATFORM**

# SECTION 4 PLATFORM

FIGURE 4-5.PLATFORM CONSOLE BOX ASSEMBLY



SECTION 4 PLATFORM

# SECTION 4 PLATFORM

**FIGURE 4-5. PLATFORM CONSOLE BOX ASSEMBLY**

FIG & ITEM #	PART NUMBER	DESCRIPTION	QTY.	REV.
		<b>CONSOLE BOX ASSEMBLY OPTIONS:</b>	Ref.	
	0256313	Vanguard Engine (Prior to S/N 35428)	Ref.	F
	0256742	Vanguard Engine (S/N 35428 to Present)	Ref.	6
	0258404	Vanguard Engine W/Tilt (S/N 44844 to Present)	Ref.	3
	0259053	Vanguard Engine W/Hydraulic Drive Generator (S/N 58034 to Present)	Ref.	3
	0256314	Yanmar Engine (Prior to S/N 35428)	Ref.	F
	0256743	Yanmar Engine (S/N 35428 to Present)	Ref.	6
	0258405	Yanmar Engine W/Tilt (S/N 44844 to Present)	Ref.	3
	0259054	Yanmar Engine W/Hydraulic Drive Generator (S/N 58034 to Present)	Ref.	3
1	0861032	Box, Console	1	
2		Lid, Nameplate Options:	1	
	3252486	Prior to S/N 58990		
	3252627	S/N 58990 to Present		
3	4420008	Tape, Insulation	38in/1m	
4		Bracket, Hanger Options:	1	
	0902299	Prior to S/N 44924		
	0902456	S/N 44924 to S/N 58990		
	4845938	S/N 58990 to Present		
5	0641404	Bolt 1/4"-20NC x 1/2"	4	
6	4791400	Starwasher 1/4"	4	
7	1600218	Card, Circuit - JLG	1	
	Supply Locally	Fuse - 5 Amps	1	
8		Card, Circuit - Horsepower Options:	1	
	1600249	Vanguard		
	1600250	Yanmar Engine		
	7016379	Fuse - 1 Amp	1	
9	3740118	Relay, Delay (Prior to S/N 58990)	1	
10	4460470	Nut, Receptacle	1	
11	4460471	Lockwasher, Receptacle	1	
12	4460463	Receptacle, Male (23 Pin)	1	
13	4360339	Switch	1	
13A	7012593	Cover, Rubber - Green	1	
14	4360267	Block, Switch Contact	1	
15	0100035	Loctite #222 (Not Shown)	A/R	
16	3900177	Screw	8	
17		Controller Assembly Options:	1	
	1600241	Prior to S/N 58990 (See Figure 4-6 for Breakdown)		
	1600296	S/N 58990 to Present (See Figure 4-7 for Breakdown)		
18	4740120	Washer, Nylon	4	
19	3900178	Screw, Machine #10-32NF x 3/4"	4	
20	4060802	Shield, Switch	2	
21	3790012	O-Ring	2	
22	4360387	Switch, Push Button	A/R	
23	4360314	Switch, Toggle	1	

**SECTION 4 PLATFORM**

# SECTION 4 PLATFORM

**FIGURE 4-5. PLATFORM CONSOLE BOX ASSEMBLY (CONTINUED)**

FIG & ITEM #	PART NUMBER	DESCRIPTION	QTY.	REV.
24		Switch, Emergency Stop Options:	1	
	4360395	Prior to S/N 58990		
	4360289	S/N 58990 to S/N 65027		
	4360475	S/N 65027 to Present		
24A	7016315	Head, Mushroom (Use on Switch p/n 4360395)	1	
	7012611	Head, Mushroom (Use on Switch p/n 4360289)	1	
	7012612	Boot (Use on Switch p/n 4360289)	1	
	7020175	Ring, Sealing (Use on Switch p/n 4360475)	1	
	7020176	Block, Contact (Use on Switch p/n 4360475)	1	
25	2920029	Bulb, Light	A/R	
26	2920026	Lamp, Indicator - Red	A/R	
27	2560141	Thumbscrew	1	
28	0181847	Angle	1	
29	3740049	Relay, Bosch	A/R	
30	3910616	Screw #6-32NC x 1"	A/R	
31	4760600	Lockwasher #6	A/R	
32	4750600	Flatwasher #6	A/R	
33	3310601	Nut #6-32NC	A/R	
34	4751000	Flatwasher #10	A/R	
35	3911024	Screw #10-24NC x 1 1/2" (Prior to S/N 58990)	1	
36	4761000	Lockwasher #10	A/R	
37	3311001	Nut #10-24NC	A/R	
38	3911012	Screw #10-24NC x 3/4"	A/R	
39		Harness - Platform Console Box Options:	1	
	4921842	Standard (Prior to S/N 35428)		
	4921901	Standard (S/N 35428 to S/N 58990)		
	4922288	Standard (S/N 58990 to Present)		
	4922226	With Hydraulic Drive Generator (Prior to S/N 62149)		
	4922289	With Hydraulic Drive Generator (S/N 62149 to Present)		
40	4460234	Mount, Wire Tie	5	
41	4240033	Tie, Wire	5	
42	4360069	Breaker, Circuit - 10 Amp	1	
43	4360336	Switch, Toggle	1	
44		Block, Contact Options:	1	
	4360282	Prior to S/N 65027		
	4360476	S/N 65027 to Present		
45	1701683	Decal - Relay Function (Not Shown - Located on Inside Console Box) (S/N 32436 to Present)	1	
46	0140011	Alarm (S/N 44844 to Present) (With Tilt Only)	1	
47	1600291	Generator Card (With Hydraulic Drive Generator Only)	1	
48	4360203	Switch, Toggle (With Hydraulic Drive Generator Only)	1	
49	1704189	Decal - Generator (With Hydraulic Drive Generator Only)	1	

**SECTION 4 PLATFORM**



# SECTION 4      PLATFORM

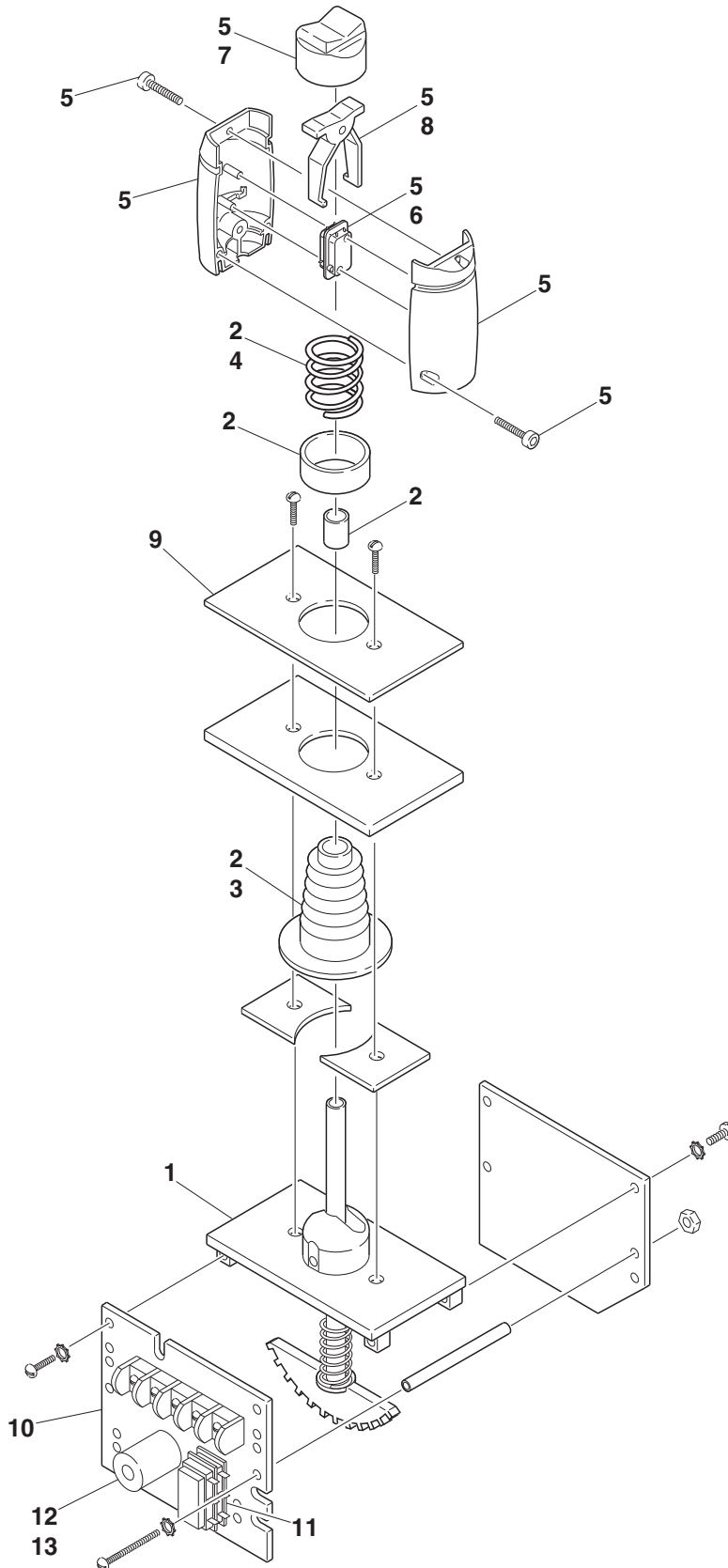
**FIGURE 4-5. PLATFORM CONSOLE BOX ASSEMBLY (CONTINUED)**

FIG & ITEM #	PART NUMBER	DESCRIPTION	QTY.	REV.
		<b>TILT ALARM INSTALLATION OPTIONS:</b>	Ref.	
	0256426	<b>COMMON (Prior to S/N 38569)</b>	Ref.	A
	0257219	<b>COMMON (S/N 38569 to Present)</b>	Ref.	2
	0256543	<b>Latin American &amp; Japanese Spec (Prior to S/N 38569)</b>	Ref.	A
	0257217	<b>Latin American &amp; Japanese Spec (S/N 38569 to Present)</b>	Ref.	2
101 to 105	Not Used			
106	0140011	Alarm	1	
107	3740049	Relay, Bosch	2	
108	3911012	Screw #10-24NC x 3/4"	2	
109	4751000	Flatwasher #10	4	
110	3311005	Locknut #10-24NC	2	

**SECTION 4 PLATFORM**

# SECTION 4 PLATFORM

FIGURE 4-6. CONTROLLER ASSEMBLY (PRIOR TO S/N 58990)



SECTION  
4  
PLATFORM

# SECTION 4      PLATFORM

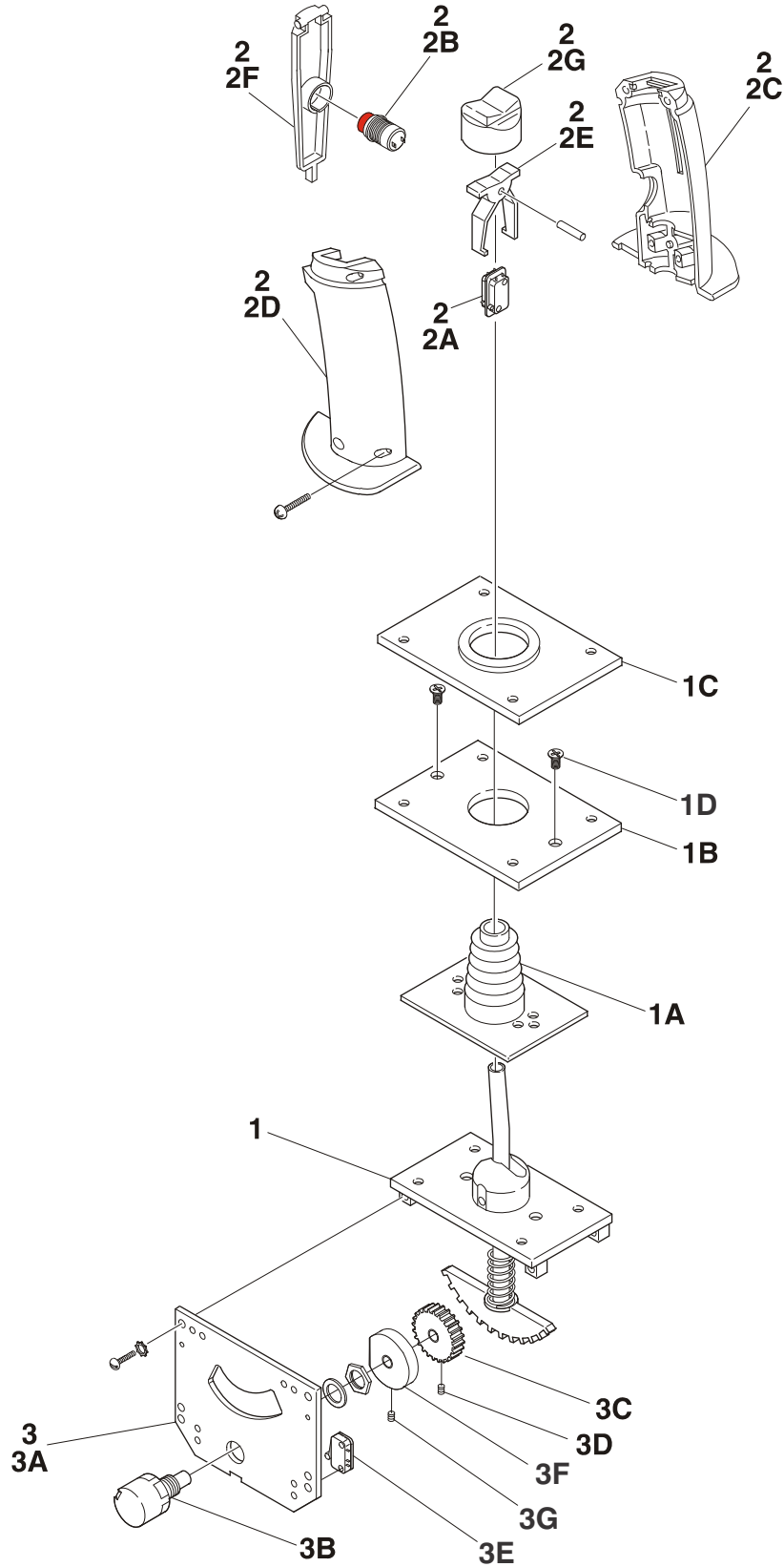
**FIGURE 4-6. CONTROLLER ASSEMBLY (PRIOR TO S/N 58990)**

FIG & ITEM #	PART NUMBER	DESCRIPTION	QTY.	REV.
	1600241	<b>CONTROLLER ASSEMBLY</b>	Ref.	
	7011931	Handle/Stem Assembly (Includes Items 1 to 9)	1	
1	7011932	Stem Assembly	1	
2	7011933	Slidelock Assembly (Includes Items 3 & 4)	1	
3	7003772	Boot	1	
4	7011934	Spring	1	
5	7011935	Handle Assembly (Includes Items 6 to 8)	1	
6	7003789	Switch, Rocker	1	
7	7003790	Cap, Rubber	1	
8	7003791	Actuator, Switch	1	
9	7011936	Gasket	1	
10	7011974	Electrical Assembly (Includes Items 11 to 13)	1	
11	7003714	Switch, Mico	1	
12	7011940	Gear, Pinion	1	
13	7011975	Potentiometer	1	
14	Not Serviced	Harness Assembly (Not Shown)	1	
	4460343	Connector - 12 Pin	1	
	4460367	Receptacle, Female	1	
	4460226	Socket, Female	10	
	4460227	Pin, Male	10	

SECTION 4 PLATFORM

# SECTION 4 PLATFORM

FIGURE 4-7. CONTROLLER ASSEMBLY (S/N 58990 TO PRESENT)



SECTION  
4  
PLATFORM

# SECTION 4      PLATFORM

**FIGURE 4-7. CONTROLLER ASSEMBLY (S/N 58990 TO PRESENT)**

FIG & ITEM #	PART NUMBER	DESCRIPTION	QTY.	REV.
	1600296	<b>CONTROLLER ASSEMBLY</b>	Ref.	
1	7020503	Handle/Stem Assembly	1	
1A	7020520	Boot	1	
1B	7020504	Plate, Mounting	1	
1C	7020502	Gasket	1	
1D	7020528	Screw #10-32NF x 3/8"	2	
2	7011991	Grip Assembly	1	
2A	7011992	Switch Assembly	1	
2B	7020501	Switch, Push Button	1	
2C	Use 7020541	Grip - Right Half (was p/n 7011993)	1	
2D	Use 7020541	Grip - Left Half (was p/n 7011994)	1	
2E	7003791	Actuator, Switch	1	
2F	7011997	Trigger	1	
2G	7003790	Cap, Rubber	1	
3	7020525	Electrical Assembly	1	
3A	7020509	Plate, Mounting - Potentiometer	1	
3B	7011975	Potentiometer	1	
3C	7011940	Gear, Pinion	1	
3D	7020511	Setscrew #6-32 x 1/8"	1	
3E	7003771	Actuator, Switch	1	
3F	7020518	Cam, Neutral Switch	1	
3G	7011983	Setscrew #4-32 x 1/8"	1	
4	Not Serviced	Harness Assembly (Not Shown)	1	
	4460343	Connector - 12 Pin	1	
	4460367	Receptacle, Female	1	
	4460226	Socket, Female	10	
	4460227	Pin, Male	10	

SECTION 4 PLATFORM

# SECTION 4 PLATFORM

FIGURE 4-7. CONTROLLER ASSEMBLY (S/N 58990 TO PRESENT) (CONTINUED)

FIG & ITEM #	PART NUMBER	DESCRIPTION	QTY.	REV.

**S  
E  
C  
T  
I  
O  
N  
  
4  
  
P  
L  
A  
T  
F  
O  
R  
M**

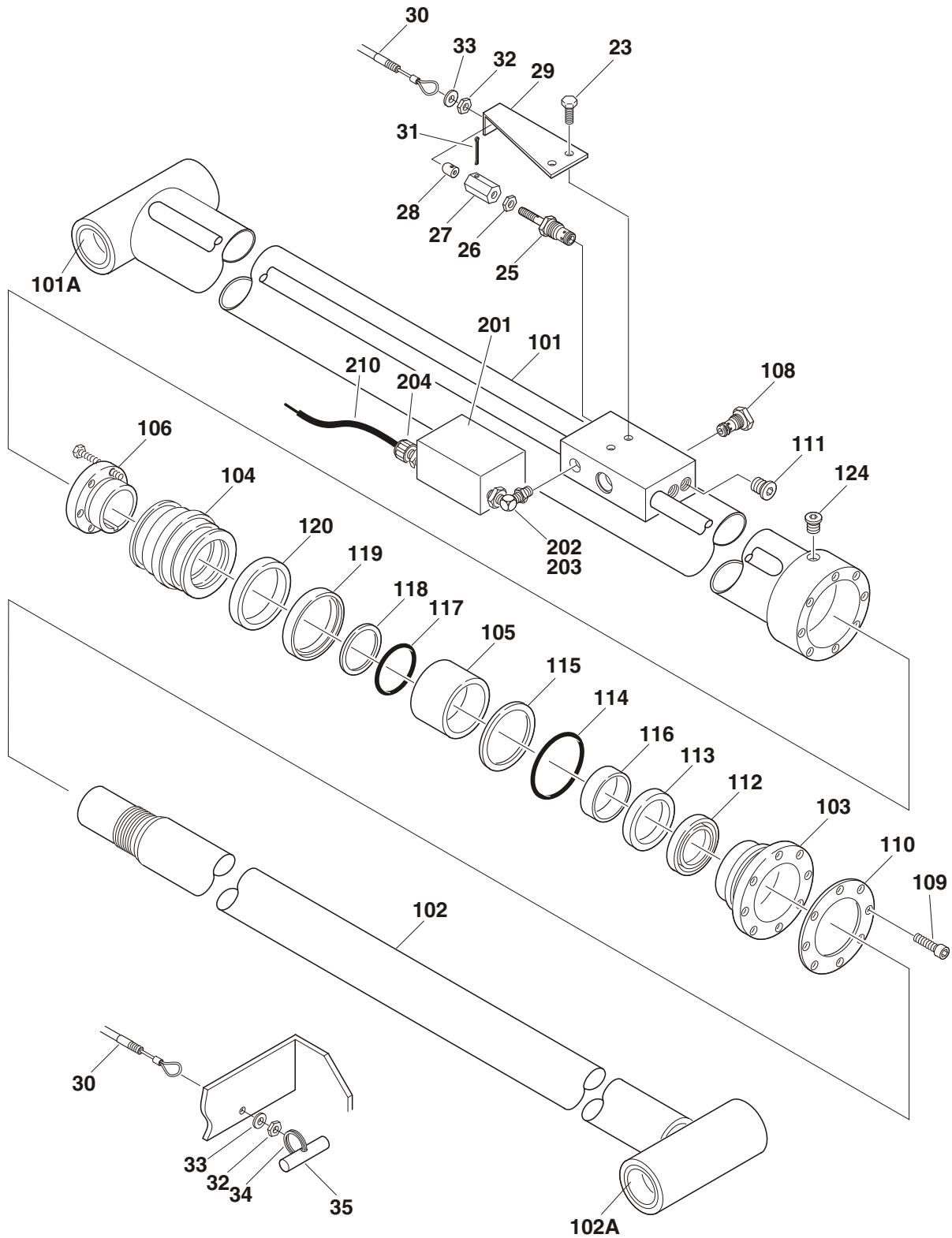
# SECTION 5 CYLINDERS

TABLE OF CONTENTS		
FIGURE	DESCRIPTION	PAGE
5-1	Lift Cylinder Components Assembly (Prior to S/N 26916) .....	5-2
5-2	Lift Cylinder Components Assembly (S/N 26916 to Present) .....	5-6
5-3	Steer Cylinder Assembly .....	5-10

**S  
E  
C  
T  
I  
O  
N  
  
5  
  
C  
Y  
L  
I  
N  
D  
E  
R**

# SECTION 5 CYLINDERS

FIGURE 5-1. LIFT CYLINDER COMPONENTS ASSEMBLY (PRIOR TO S/N 26916)



SECTION 5 CYLINDER



# SECTION 5      CYLINDERS

**FIGURE 5-1. LIFT CYLINDER COMPONENTS ASSEMBLY (PRIOR TO S/N 26916)**

FIG & ITEM #	PART NUMBER	DESCRIPTION	QTY.	REV.
		<b>LIFT CYLINDER SUB-ASSEMBLY</b>	Ref.	
1 to 22	Not Used	Locknut	1	
23	0641506	Bolt 5/16"-18NC x 3/4"	2	
24	0100011	Loctite #242	A/R	
25	4640717	Cartridge, Valve (Manual Descent)	1	
26	3311402	Nut, Jam 1/4"-20NC	1	
27	0080190	Adapter	1	
28	4220044	Stop, Throttle	1	
29	0902151	Bracket	1	
30		Cable Assembly Options:	1	
	1060377	Prior to S/N 28133 - Use 1060643 as Replacement		
	1060643	S/N 28133 to Present		
31	3450405	Pin, Cotter	1	
32	3321402	Nut, Jam 1/4"-28NF	4	
33	4711400	Flatwasher 1/4" Narrow	4	
34	3760170	Ring (Prior to S/N 28133)	1	
35	3841127	Rod, Manual Descent (Prior to S/N 28133 Only)	1	
	1683363	<b>LIFT CYLINDER ASSEMBLY</b>	Ref.	C
101	1683353	Barrel Weldment	1	
101A	0962012	Bushing, Garmax	2	
102	1683355	Rod Weldment	1	
102A	0962012	Bushing, Garmax	2	
103	1683061	Head	1	
104	3480211	Piston	1	
105	4565008	Spacer	1	
106	0961897	Bushing, Tapered	1	
107	Not Used			
108	4640509	Cartridge, Valve	1	
	2900792	Seal, Kit - 4640509 Valve	1	
109	3931720	Capscrew 7/16"-14NC x 1 1/4"	8	
110	3760370	Ring, Washer	1	
111	2220883	Plug, Fitting	3	
112	Kit	Wiper	1	
113	Kit	Seal, Rod	1	
114	Kit	O-Ring	1	
115	Kit	Ring, Back-Up	1	
116	Kit	Ring, Wear	1	
117	Kit	O-Ring	1	
118	Kit	Ring, Back-Up	1	
119	Kit	Ring, Lock	2	
120	Kit	Seal	2	
121	0100011	Loctite #242 (Not Shown)	A/R	
122	0100038	Primer, Locking (Not Shown)	A/R	
123	Not Used			

SECTION 5  
CYLINDER

# SECTION 5      CYLINDERS

**FIGURE 5-1. LIFT CYLINDER COMPONENTS ASSEMBLY (PRIOR TO S/N 26916) (CONTINUED)**

FIG & ITEM #	PART NUMBER	DESCRIPTION	QTY.	REV.
124	2220885	Plug, O-Ring -----	1	
	2901273	Seal Kit (Includes Items 112 to 120)	1	
	0256692	<b>PLATFORM EXTENSION INTERLOCK INSTALLATION</b>	Ref.	
201	1692617	Switch, Pressure	1	
202	2221015	Fitting, 90°	1	
203	2220440	Fitting, Straight	1	
204	4460428	Connector, Strain Relief	1	
205 to 209	Not Used			
210	1060341	Cable, Electrical - 16/2	40ft/12m	

**SECTION 5 CYLINDER**

# SECTION 5      CYLINDERS

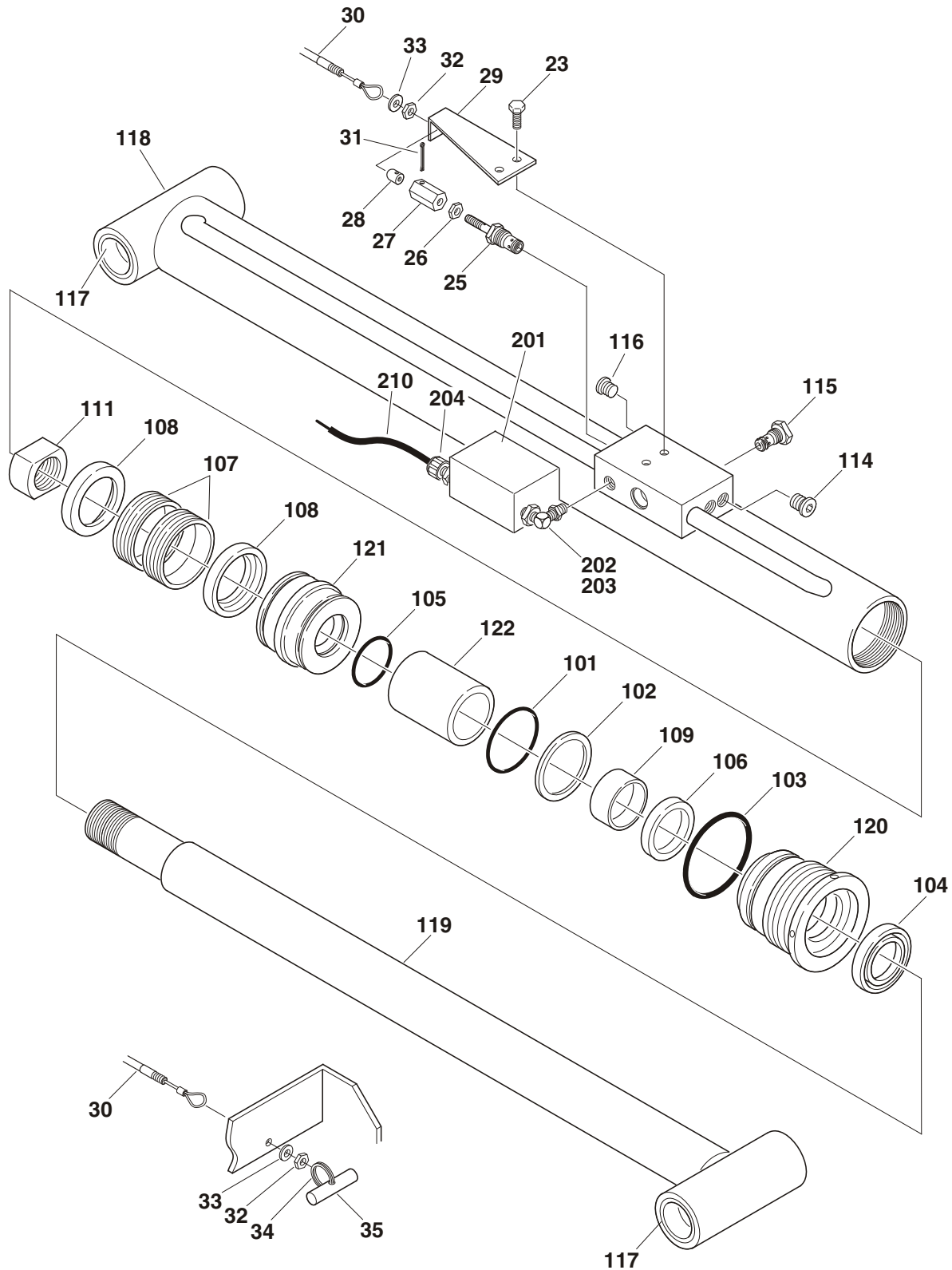
FIGURE 5-1. LIFT CYLINDER COMPONENTS ASSEMBLY (PRIOR TO S/N 26916) (CONTINUED)

FIG & ITEM #	PART NUMBER	DESCRIPTION	QTY.	REV.

**S  
E  
C  
T  
I  
O  
N  
  
5  
  
C  
Y  
L  
I  
N  
D  
E  
R**

# SECTION 5 CYLINDERS

FIGURE 5-2. LIFT CYLINDER COMPONENTS ASSEMBLY (S/N 26916 TO PRESENT)



SECTION 5 CYLINDER

# SECTION 5      CYLINDERS

**FIGURE 5-2. LIFT CYLINDER COMPONENTS ASSEMBLY (S/N 26916 TO PRESENT)**

FIG & ITEM #	PART NUMBER	DESCRIPTION	QTY.	REV.
		<b>LIFT CYLINDER SUB-ASSEMBLY</b>	Ref.	
1 to 22	Not Used	Locknut	1	
23	0641506	Bolt 5/16"-18NC x 3/4"	2	
24	0100011	Loctite #242	A/R	
25	4640717	Cartridge, Valve (Manual Descent)	1	
26	3311402	Nut, Jam 1/4"-20NC	1	
27	0080190	Adapter	1	
28	4220044	Stop, Throttle	1	
29	0902151	Bracket	1	
30		Cable Assembly Options:	1	
	1060377	Prior to S/N 28133 - Use 1060643 as Replacement		
	1060643	S/N 28133 to S/N 37837		
	1060664	S/N 37837 to Present		
31	3450405	Pin, Cotter	1	
32	3321402	Nut, Jam 1/4"-28NF	4	
33	4711400	Flatwasher 1/4" Narrow	4	
34	3760170	Ring (Prior to S/N 28133)	1	
35	3841127	Rod, Manual Descent (Prior to S/N 28133 Only)	1	
	1683474	<b>LIFT CYLINDER ASSEMBLY</b>	Ref.	9
101	Kit	O-Ring	1	
102	Kit	Ring, Back-Up	1	
103	Kit	O-Ring	1	
104	Kit	Wiper	1	
105	Kit	O-Ring	1	
106	Kit	Seal	1	
107	Kit	Seal	2	
108	Kit	Ring, Lock	2	
109	Kit	Ring, Wear	2	
110	Not Used			
111	7003226	Locknut	1	
112	7005312	Plug (Not Shown)	1	
113	7005315	Plug (Not Shown)	2	
114	7005356	Plug	3	
115	7017372	Cartridge, Valve	1	
	Consult Factory	Seal Kit - 7017372 Valve	1	
116	Not Serviced	Plug	1	
117	0962012	Bushing, Garmax	4	
118	7019874	Barrel Weldment	1	
119	7017388	Rod Weldment	1	
120	7017387	Head	1	
121	7017386	Piston	1	
122	7017385	Spacer	1	
	7017384	Seal Kit (Includes Items 101 to 109)	1	

**SECTION 5  
CYLINDER**

# SECTION 5 CYLINDERS

**FIGURE 5-2. LIFT CYLINDER COMPONENTS ASSEMBLY (S/N 26916 TO PRESENT) (CONTINUED)**

FIG & ITEM #	PART NUMBER	DESCRIPTION	QTY.	REV.
	0256692	<b>PLATFORM EXTENSION INTERLOCK INSTALLATION</b>	Ref.	
201	1692617	Switch, Pressure	1	
202	2221015	Fitting, 90°	1	
203	2220440	Fitting, Straight	1	
204	4460428	Connector, Strain Relief	1	
205 to 209	Not Used			
210	1060341	Cable, Electrical - 16/2	40ft/12m	

**SECTION 5 CYLINDER**

# SECTION 5      CYLINDERS

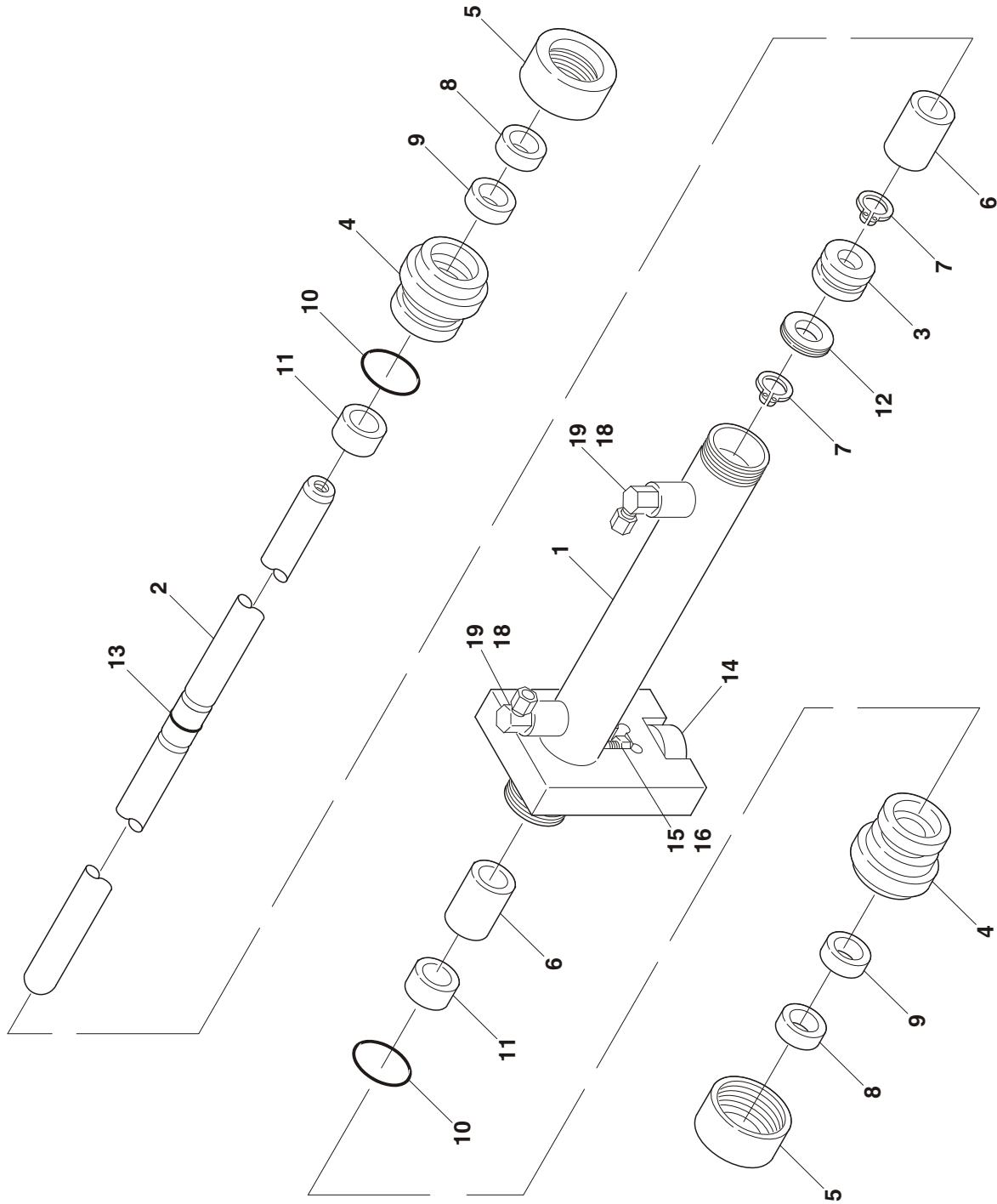
FIGURE 5-2. LIFT CYLINDER COMPONENTS ASSEMBLY (S/N 26916 TO PRESENT) (CONTINUED)

FIG & ITEM #	PART NUMBER	DESCRIPTION	QTY.	REV.

**S  
E  
C  
T  
I  
O  
N  
  
5  
  
C  
Y  
L  
I  
N  
D  
E  
R**

# SECTION 5 CYLINDERS

FIGURE 5-3. STEER CYLINDER ASSEMBLY



SECTION 5  
CYLINDERS



# SECTION 5      CYLINDERS

**FIGURE 5-3. STEER CYLINDER ASSEMBLY**

FIG & ITEM #	PART NUMBER	DESCRIPTION	QTY.	REV.
		<b>STEER CYLINDER ASSEMBLY OPTIONS:</b>	Ref.	
	1683239	<b>Prior to S/N 46538</b>	Ref.	C
	1683697	<b>S/N 46538 to Present</b>	Ref.	2
1		Barrel Weldment Options:	1	
	1682528	Prior to S/N 46538		
	1683694	S/N 46538 to Present		
2	1683240	Rod	1	
3	3480153	Piston	1	
4	1682364	Head	2	
5	1120387	Retainer	2	
6	4566618	Spacer	2	
7	3760141	Ring, Retaining	2	
8	Kit	Seal, Wiper	2	
9	Kit	Seal, Rod	2	
10	Kit	O-Ring	2	
11	Kit	Ring, Wear	2	
12	Kit	T-Seal	1	
13	Kit	O-Ring	1	
14		Follower, Cam	1	
	3860054	Prior to S/N 46538		
	3860080	S/N 46538 to Present		
15		Nut 1/2"-20NF	1	
	3321801	Prior to S/N 37530		
	3321802	S/N 37530 to Present		
16	0100035	Loctite #222	A/R	
17	Not Used			
18	2220472	Fitting, 90°	2	
19	2220515	Fitting, Cap	2	
		-----		
	2901178	Seal Kit (Includes Items 8 to 13)	1	

**SECTION 5 CYLINDER**

# SECTION 5 CYLINDERS

FIGURE 5-3. STEER CYLINDER ASSEMBLY (CONTINUED)

FIG & ITEM #	PART NUMBER	DESCRIPTION	QTY.	REV.

**S  
E  
C  
T  
I  
O  
N  
  
5  
  
C  
Y  
L  
I  
N  
D  
E  
R**

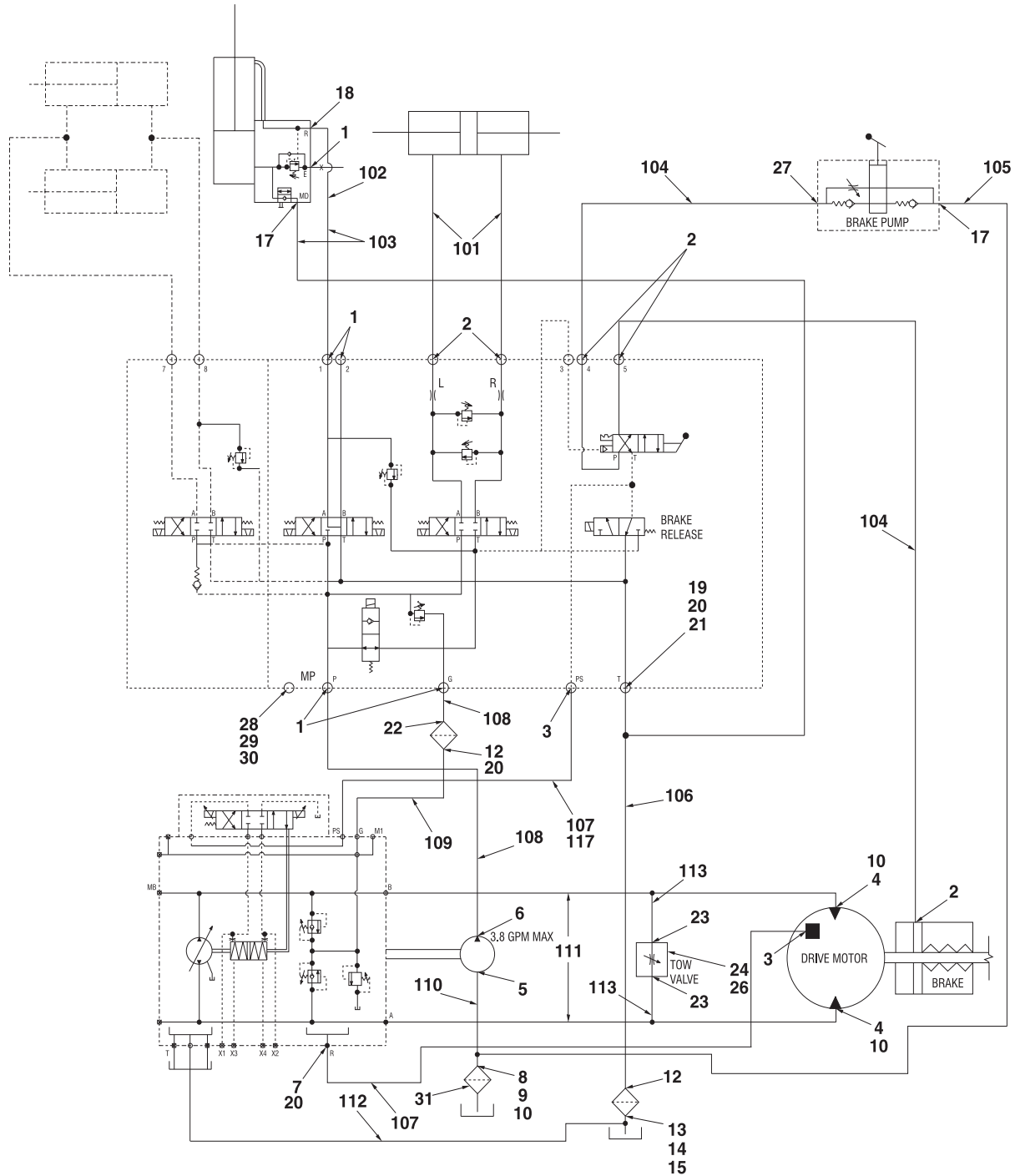
# SECTION 6 HYDRAULIC

TABLE OF CONTENTS		
FIGURE	DESCRIPTION	PAGE
6-1	Hydraulic Diagram - Standard.....	6-2
6-2	Hydraulic Diagram List .....	6-6

**S  
E  
C  
T  
I  
O  
N  
  
6  
  
H  
Y  
D  
R  
A  
U  
L  
I  
C**

# SECTION 6 HYDRAULIC

## FIGURE 6-1. HYDRAULIC DIAGRAM - STANDARD



1282590 - REV. L

# SECTION 6      HYDRAULIC

**FIGURE 6-1. HYDRAULIC DIAGRAM - STANDARD**

FIG & ITEM #	PART NUMBER	DESCRIPTION	QTY.	REV.
	2792275	<b>HYDRAULIC DIAGRAM</b>	Ref.	6
1	2220371	Fitting, Straight	5	
2	2220415	Fitting, Straight	5	
3	2220603	Fitting, Straight	2	
4	2220695	Fitting, Tee	2	
5	2220408	Fitting, Straight	1	
6	2220497	Fitting, Straight	1	
7	2220620	Fitting, Reducer (Prior to S/N 62148)	1	
8	2220435	Fitting, Straight	1	
9	2220700	Fitting, Tee	1	
10	2220621	Fitting, Reducer	3	
11	Not Used			
12	2220366	Fitting, 90°	2	
13	2220738	Fitting, Tee	1	
14	2220622	Fitting, Reducer	1	
15	2220594	Fitting, Straight	1	
16	Not Used			
17	2220775	Fitting, 90°	2	
18	2220473	Fitting, 90°	1	
19	2220385	Fitting, Tee	1	
20	2220619	Fitting, Reducer	3	
21	2220600	Fitting, Straight	1	
22	2220577	Fitting, Straight	1	
23	2220773	Fitting, 90°	2	
24	4640005	Valve, Needle	1	
25	Not Used			
26	2900062	Mounting Kit	1	
27	2220466	Fitting, 90°	1	
28	2220873	Fitting, 90°	1	
29	2220428	Fitting, Quick Disconnect	1	
30	2220429	Fitting, Cap	1	
31	2180749	Fitting, 45° (S/N 32539 to Present)	1	
32	0100020	Sealant, Loctite (Not Shown)	A/R	
	2901440	<b>HOSE KIT</b>	Ref.	4
101	2751398	Hose	2	
102	2752616	Hose	1	
103	2752622	Hose	2	
104	2752433	Hose	2	
105	2752461	Hose	1	
106	2752493	Hose	1	
107		Hose Options:		
	2751006	Prior to S/N 66750	2	
	2751006	S/N 66750 to Present	1	
108	2752462	Hose	2	

**SECTION 6 HYDRAULIC**

# SECTION 6      HYDRAULIC

**FIGURE 6-1. HYDRAULIC DIAGRAM - STANDARD (CONTINUED)**

FIG & ITEM #	PART NUMBER	DESCRIPTION	QTY.	REV.
109	2751004	Hose	1	
110	2752657	Hose	1	
111	2752259	Hose	2	
112	2752504	Hose	1	
113		Hose Options:	2	
	2752461	Prior to S/N 38569		
	2750910	S/N 38569 to Present		
114 to 116	Not Required			
117	2750999	Hose (S/N 66750 to Present)	1	

**SECTION 6 HYDRAULIC**

# SECTION 6 HYDRAULIC

FIGURE 6-1. HYDRAULIC DIAGRAM - STANDARD (CONTINUED)

FIG & ITEM #	PART NUMBER	DESCRIPTION	QTY.	REV.

**S  
E  
C  
T  
I  
O  
N  
  
6  
  
H  
Y  
D  
R  
A  
U  
L  
I  
C**

# SECTION 6      HYDRAULIC

**FIGURE 6-2.HYDRAULIC DIAGRAM LIST**

FIG & ITEM #	PART NUMBER	DESCRIPTION	QTY.	REV.
	2792275/1282590*	<p><b>Note: Diagrams with asterisk (*) are shown in the preceding pages. Information on diagrams not shown is available from JLG Service /Parts Department.</b></p> <p>Hydraulic Diagram - Standard</p>	Ref.	

**S  
E  
C  
T  
I  
O  
N  
  
6  
  
H  
Y  
D  
R  
A  
U  
L  
I  
C**



# SECTION 7 ELECTRICAL

## TABLE OF CONTENTS

FIGURE	DESCRIPTION	PAGE
7-1	ELECTRICAL DIAGRAM LIST . . . . .	7-2
7-2	ELECTRICAL SCHEMATIC - VANGUARD . . . . .	7-4
7-3	ELECTRICAL SCHEMATIC - YANMAR . . . . .	7-6
7-4	HARNESS AND CABLE ASSEMBLIES . . . . .	7-8

**S  
E  
C  
T  
I  
O  
N  
  
7  
  
E  
L  
E  
C  
T  
R  
I  
C  
A  
L**

# SECTION 7 ELECTRICAL

**FIGURE 7-1.ELECTRICAL DIAGRAM LIST**

FIG & ITEM #	PART NUMBER	DESCRIPTION	QTY.	REV.
		<b>Note: Diagrams with asterisks (*) are shown in the following pages. Diagrams not shown are available from the JLG Service Department.</b>	Ref.	
	1282594	<b>ALARM ELECTRICAL DIAGRAM - DESCENT/ MOTION/TRAVEL</b>	Ref.	D
	1282589	<b>ALARM ELECTRICAL DIAGRAM - TILT OPTIONS: Prior to S/N 38569</b>	Ref.	B
	1282740	<b>S/N 38569 to Present</b>	Ref.	B
	0256535	<b>LIGHTS ELECTRICAL DIAGRAMS Work Lights</b>	Ref.	C
	0258925	<b>Work Lights W/Folddown Rails</b>	Ref.	B
	4933074	<b>GENERATOR ELECTRICAL DIAGRAM</b>	Ref.	2
	1282529	<b>GROUND CONTROL BOX ELECTRICAL DIAGRAM OPTIONS: Prior to S/N 35428</b>	Ref.	G
	1282546	<b>S/N 35428 to Present</b>	Ref.	B
	0256692	<b>OVERLOAD PROTECTION ELECTRICAL DIAGRAM - JAPANESE SPEC</b>	Ref.	
	1282550	<b>PLATFORM CONTROL BOX ELECTRICAL DIA- GRAM OPTIONS: Standard (Prior to S/N 35428)</b>	Ref.	H
	1282660	<b>Standard (S/N 35428 to Present)</b>	Ref.	D
	1283023	<b>With 110 Volt Generator (S/N 58034 to Present)</b>	Ref.	B
	4921843	<b>PLATFORM TO GROUND ELECTRICAL DIAGRAM</b>	Ref.	C
	1870042	<b>ELECTRICAL SCHEMATICS Standard Electrical Schematic - Vanguard Options: Prior to S/N 35428</b>	Ref.	J
	1870048	<b>S/N 35428 to S/N 48113</b>	Ref.	B
	1870086	<b>S/N 48113 to S/N 59742</b>	Ref.	D
	1870103*	<b>S/N 59742 to Present</b>	Ref.	C
	1870091	<b>Electrical Schematic - Vanguard With 110 Volt Gen- erator Options: S/N 58034 to S/N 59742</b>	Ref.	A
	1870104	<b>S/N 59742 to Present</b>	Ref.	D
	1870043	<b>Standard Electrical Schematic - Yanmar Options: Prior to S/N 35428</b>	Ref.	J
	1870049	<b>S/N 35428 to S/N 59742</b>	Ref.	C
	1870102*	<b>S/N 59742 to Present</b>	Ref.	C

**SECTION 7 ELECTRICAL**

# SECTION 7 ELECTRICAL

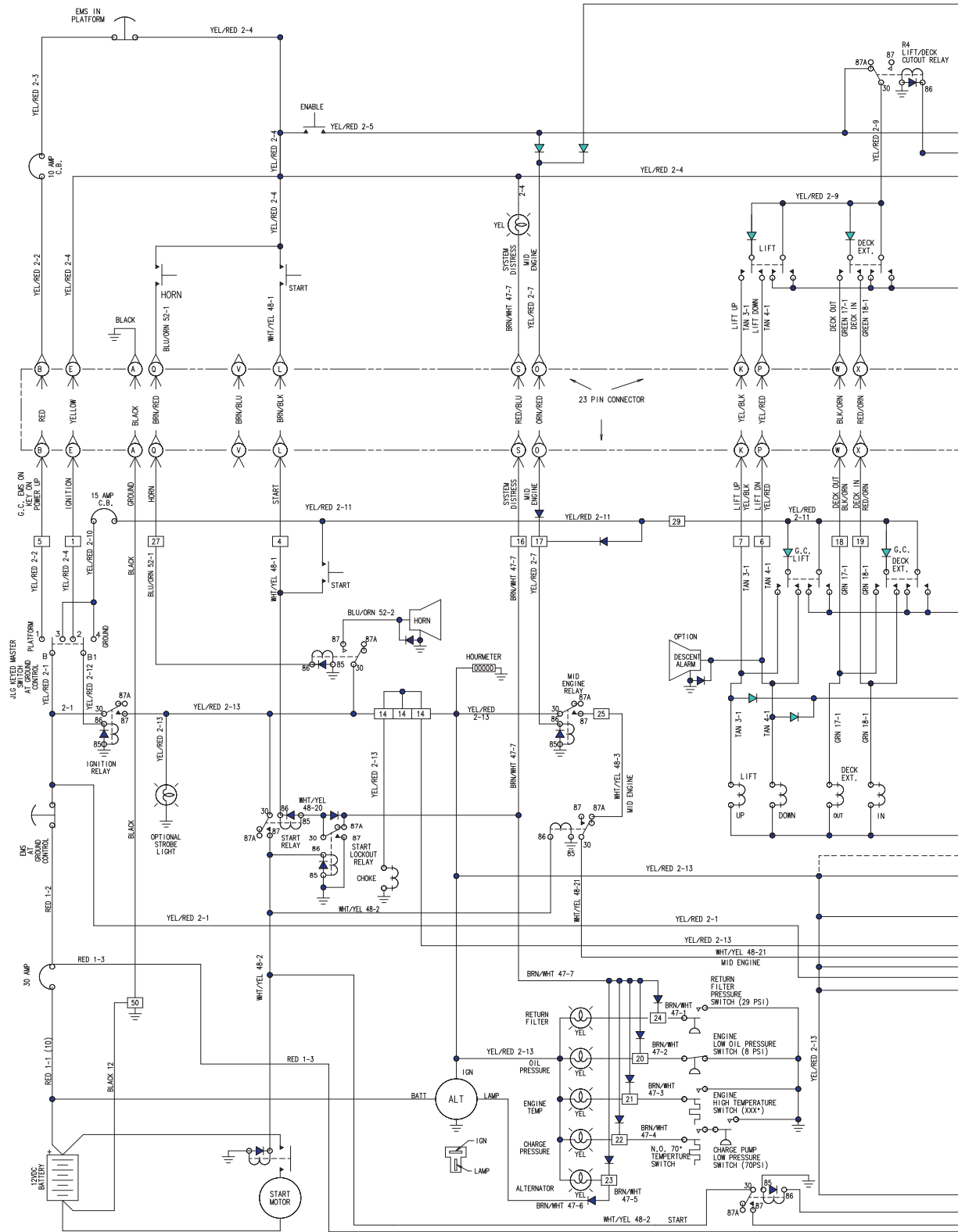
FIGURE 7-1.ELECTRICAL DIAGRAM LIST

FIG & ITEM #	PART NUMBER	DESCRIPTION	QTY.	REV.

**S  
E  
C  
T  
I  
O  
N  
  
7  
  
E  
L  
E  
C  
T  
R  
I  
C  
A  
L**

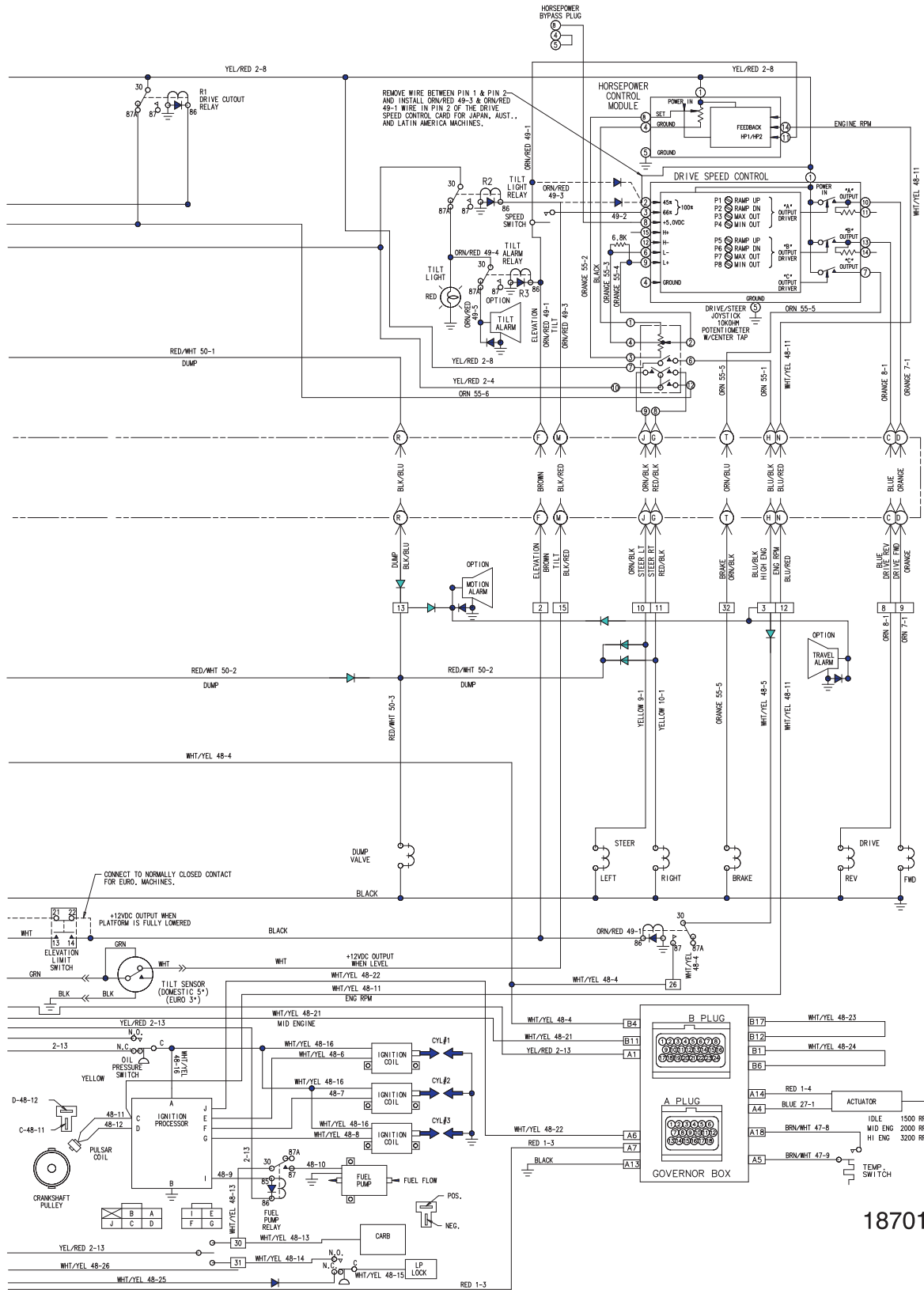
# SECTION 7 ELECTRICAL

## FIGURE 7-2.ELECTRICAL SCHEMATIC - VANGUARD



SECTION 7 ELECTRICAL

# SECTION 7 ELECTRICAL

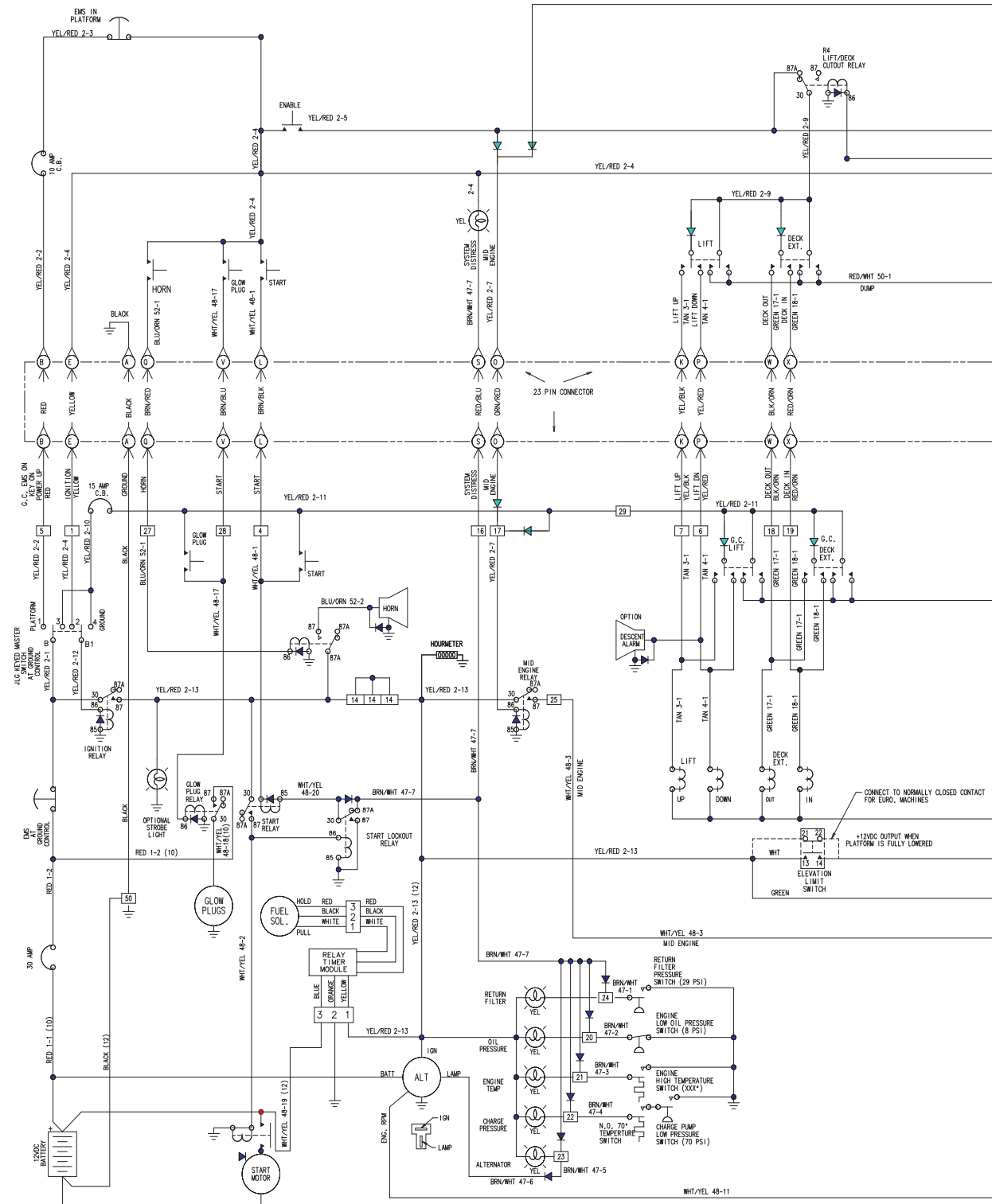


SECTION 7 ELECTRICAL

1870103\_C

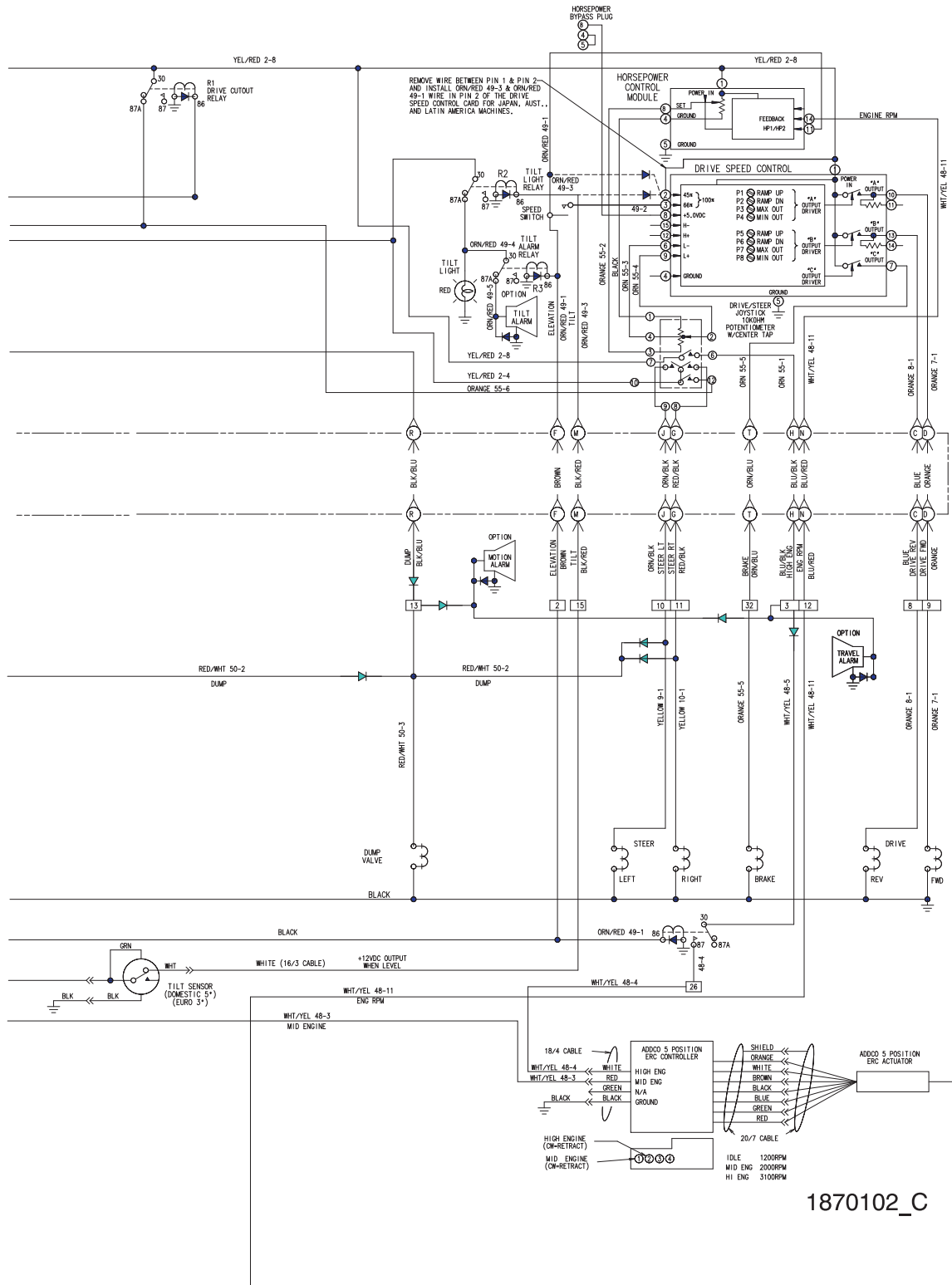
# SECTION 7 ELECTRICAL

FIGURE 7-3. ELECTRICAL SCHEMATIC - YANMAR



SECTION 7 ELECTRICAL

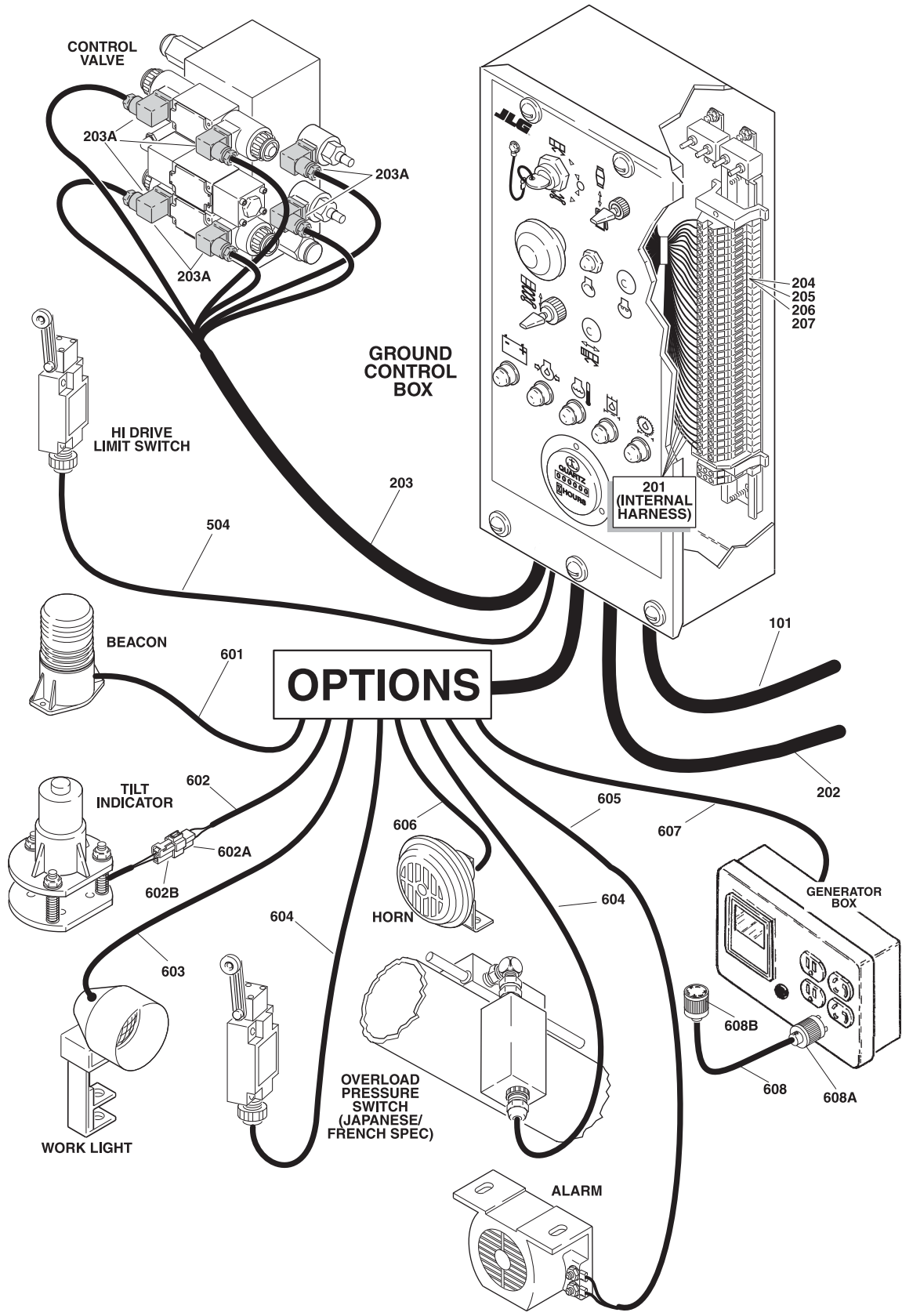
# SECTION 7 ELECTRICAL



SECTION 7 ELECTRICAL

# SECTION 7 ELECTRICAL

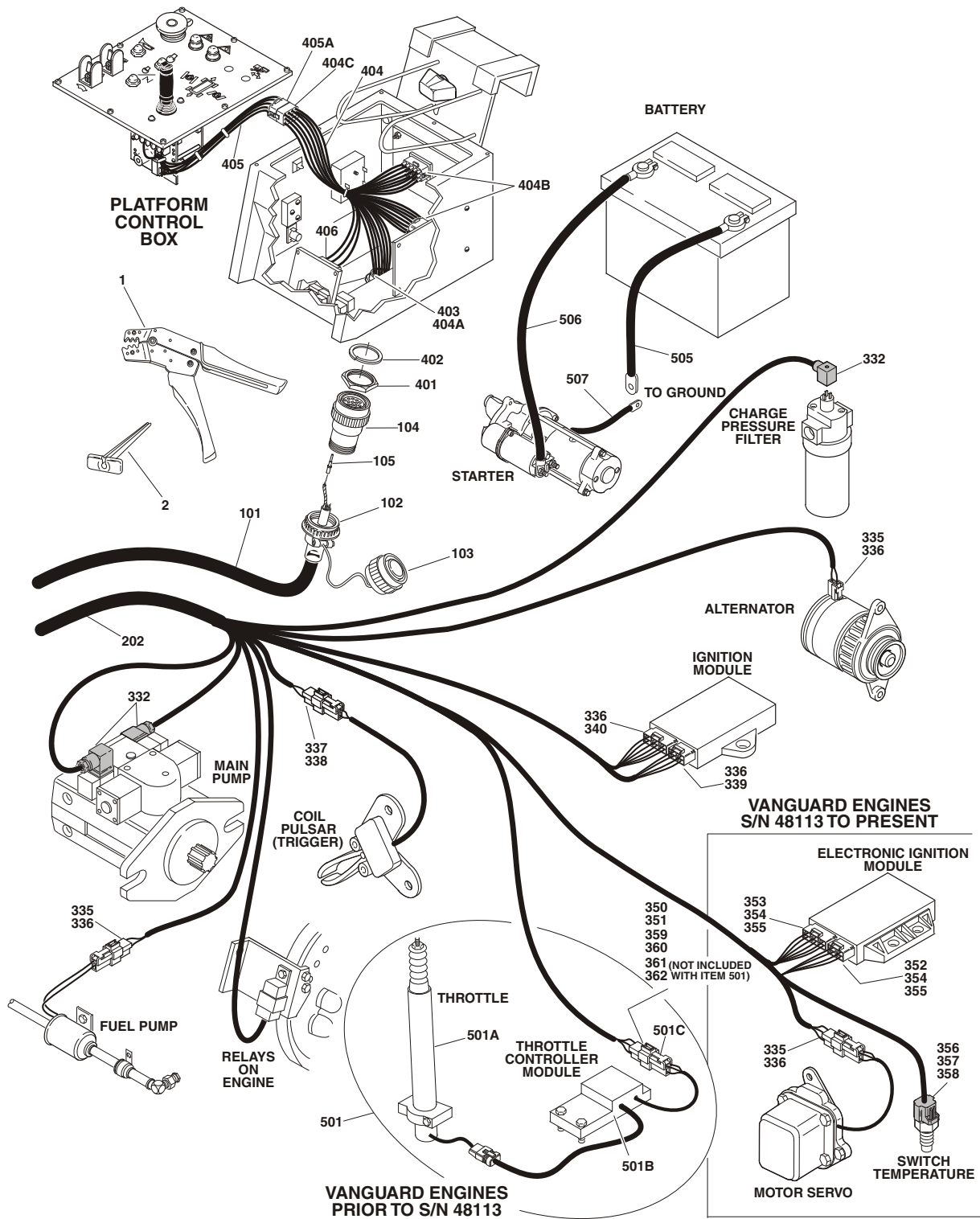
FIGURE 7-4. HARNESS AND CABLE ASSEMBLIES



SECTION 7 ELECTRICAL



# SECTION 7 ELECTRICAL



SECTION 7 ELECTRICAL

# SECTION 7 ELECTRICAL

**FIGURE 7-4. HARNESS AND CABLE ASSEMBLIES**

FIG & ITEM #	PART NUMBER	DESCRIPTION	QTY.	REV.
		<b>TOOLS</b>	Ref.	
1	7002821	Crimper (For Wire to Pin/Socket Connections)	1	
2	4460467	Extractor - 16-18 Gauge (For Removal of Pins/Sockets form Deutsch Connectors)	1	
	4921843	<b>CABLE ASSEMBLIES - GROUND TO PLATFORM</b>	Ref.	2
101	1060458	Cable, Electrical - 16/24 Options:	60ft/18.3m	
102	4460473	Clamp, Cable	1	
103	4460468	Cap, Dust	1	
104	4460462	Connector - 23 Pin	1	
105	4460465	Socket, Female	23	
106	4460121	Wire, Cap (Not Shown)	1	
		<b>GROUND CONTROL BOX WIRING DIAGRAM OPTIONS:</b>	Ref.	
	0256294	<b>Vanguard (Prior to S/N 35428)</b>	Ref.	D
	0256738	<b>Vanguard (S/N 35428 to Present)</b>	Ref.	5
	0259222	<b>Vanguard With 110 Volt Generator (S/N 58034 to Present)</b>	Ref.	3
	0256304	<b>Yanmar (Prior to S/N 35428)</b>	Ref.	D
	0256739	<b>Yanmar (S/N 35428 to Present)</b>	Ref.	3
201		Harness - Ground Control Options:	1	
	4921836	Prior to S/N 35428		E
	4921897	S/N 35428 to Present		4
	3990010	Diode - 6 Amp	A/R	
202		Harness - Engine Options: (See Items 301 to 346 for Breakdown)	1	
	4921837	Vanguard (Prior to S/N 35428)		G
	4921898	Vanguard (S/N 35428 to S/N 48113)		2
	4922182	Vanguard (S/N 48113 to Present)		4
	4921839	Yanmar (Prior to S/N 35428)		D
	4921900	Yanmar (S/N 35428 to Present)		6
203		Harness - Valve Options:	1	
	4921838	Prior to S/N 35428		C
	4921899	S/N 35428 to Present		2
203A	4460449	Connector - DIN	8	
204		Harness - Light Bank Diode Options: (Located in Ground Control Box at Terminals 16 & 20-24)	1	
	4921907	Prior to S/N 35428		
	4921910	S/N 35428 to Present		1
	3990010	Diode - 6 Amp	2	
205		Harness - Steer Dump Options: (Located in Ground Control Box at Terminals 10, 11 & 13)	1	
	4921906	Prior to S/N 35428		
	4921909	S/N 35428 to Present		2
	3990010	Diode - 6 Amp	A/R	

**SECTION 7 ELECTRICAL**

# SECTION 7 ELECTRICAL

**FIGURE 7-4. HARNESS AND CABLE ASSEMBLIES**

FIG & ITEM #	PART NUMBER	DESCRIPTION	QTY.	REV.
206		Harness - High Engine Lift Options: (Located in Ground Control Box at Terminals 6, 7 & 26)	1	
	4921905	Vanguard (Prior to S/N 35428)		
	4921908	Vanguard (S/N 35428 to Present)		1
	Not Required	Yanmar		
	3990010	Diode - 6 Amp	2	
207	4921961	Harness - Mid Engine Lockout Options: (Located in Ground Control Box at Terminals 17 & 29) (S/N 35428 to Present)	1	
		<b>ENGINE HARNESS ASSEMBLY - VANGUARD OPTIONS:</b>	Ref.	
	4921837	<b>Vanguard (Prior to S/N 35428)</b>	Ref.	G
	4921898	<b>Vanguard (S/N 35428 to S/N 48113)</b>	Ref.	2
	4922182	<b>Vanguard (S/N 48113 to Present)</b>	Ref.	4
301 to 331	Not Used			
332	4460449	Connector, DIN	3	
333 to 334	Not Used			
335	4460656	Housing, Terminal	A/R	
336	4460657	Terminal	A/R	
337	4460654	Housing, Terminal	1	
338	4460655	Terminal	2	
339	4460658	Housing, Terminal	1	
340	4460659	Housing, Terminal	1	
341 to 345	Not Used			
346	3990010	Diode - 6 Amp (Not Shown)	A/R	
347 to 349	Not Used			
350	4460445	Receptacle (S/N 73846 to Present Only)	1	
351	4460267	Pin (S/N 73846 to Present Only)	3	
352	4460762	Connector - 18 Pin (S/N 48113 to Present)	1	
353	4460763	Connector - 24 Pin (S/N 48113 to Present)	1	
354	4460764	Pin (S/N 48113 to Present)	14	
355	4460767	Plug, Pin Hole (S/N 48113 to Present)	28	
356	4460765	Connector (S/N 48113 to Present)	1	
357	4460766	Pin (S/N 48113 to Present)	2	
358	4460768	Seal (S/N 48113 to Present)	2	
359 to 362	Not Required			
		<b>ENGINE HARNESS ASSEMBLY - YANMAR OPTIONS:</b>	Ref.	
	4921839	<b>Prior to S/N 48113</b>	Ref.	D
	4921900	<b>S/N 48113 to Present</b>	Ref.	6
301 to 331	Not Used			
332	4460449	Connector, DIN	3	
333 to 334	Not Used			
335	4460445	Receptacle (S/N 73846 to Present Only)	1	
336	4460267	Pin (S/N 73846 to Present Only)	3	
337 to 340	Not Required			

**SECTION 7 ELECTRICAL**

# SECTION 7 ELECTRICAL

**FIGURE 7-4. HARNESS AND CABLE ASSEMBLIES**

FIG & ITEM #	PART NUMBER	DESCRIPTION	QTY.	REV.
341 to 345	Not Used			
346	3990010	Diode - 6 Amp (Not Shown)	A/R	
347 to 349	Not Used			
350	4460445	Receptacle (Prior to S/N 62149)	1	
351	4460267	Pin (Prior to S/N 62149)	3	
352 to 358	Not Required			
359	4460777	Housing, Terminal (S/N 62149 to Present)	1	
360	4460591	Lock, Terminal (S/N 62149 to Present)	1	
361	4460589	Socket, Female (S/N 62149 to Present)	3	
362	4460608	Seal (S/N 62149 to Present)	3	
		<b>PLATFORM CONSOLE BOX ELECTRICAL DIAGRAM</b>	Ref.	
	0256313	<b>Vanguard (Prior to S/N 35428)</b>	Ref.	F
	0256742	<b>Vanguard (S/N 35428 to Present)</b>	Ref.	6
	0256314	<b>Yanmar (Prior to S/N 35428)</b>	Ref.	F
	0256743	<b>Yanmar (S/N 35428 to Present)</b>	Ref.	6
401	4460470	Nut	1	
402	4460471	Lockwasher	1	
403	4460463	Connector - 23 Position	1	
404		Platform Box Harness Options:	1	
	4921842	Standard (Prior to S/N 35428)		G
	4921901	Standard (S/N 35428 to S/N 58990)		3
	4922288	Standard (S/N 58990 to Present)		2
	4922226	With 110 Volt Generator (Prior to S/N 62149)		1
	4922289	With 110 Volt Generator (S/N 62149 to Present)		2
	3990010	Diode - 6 Amp (Not Shown)	7	
	3990013	Diode - 1 Amp (Not Shown)	2	
	1540015	Capacitor 100mf/25V (Prior to S/N 58990)	1	
	3730112	Resistor 2.4k Ohms 1/4 Watt (Prior to S/N 58990)	1	
	3730035	Resistor 1k Ohms 1/4 Watt (Prior to S/N 58990)	1	
	3730114	Resistor 6.8k Ohms 1/4 Watt	1	
404A	4460464	Pin, Male	23	
404B		Connector - 15 Pin Options:	2	
	4460620	Prior to S/N 47483		
	4460720	S/N 47483 to Present		
	4460621	Terminal Options:	15	
	4460621	Prior to S/N 47483		
	4460721	S/N 47483 to Present		
404C	4460343	Connector - 12 Pin	1	
	4460227	Pin	9	
405	Not Serviced	Controller Harness	1	
405A	4460367	Connector - 12 Pin	1	
	4460226	Socket, Female	10	
406	4460652	Connector - 15 Pin (S/N 35428 to Present)	1	
	4460653	Pin	3	

SECTION 7 ELECTRICAL

# SECTION 7 ELECTRICAL

**FIGURE 7-4. HARNESS AND CABLE ASSEMBLIES**

FIG & ITEM #	PART NUMBER	DESCRIPTION	QTY.	REV.
		<b>MISCELLANEOUS HARNESSES &amp; CABLES</b>	Ref.	
501	Not Available	Throttle Actuator/Controller Harness (Vanguard & Yanmar) (Vanguard Engine - Prior to S/N 48113 Only)	1	
	Use 2910000	Throttle Actuator & Controller Assembly (Was p/n Gas - 0060037 & Diesel - 0060038)	1	
	7008833	Mounting Clamp Kit (Not Shown)	1	
	7008836	Spring, Retract (Not Shown)	1	
501A	Not Available	Throttle Actuator & Harness (Purchase p/n 2910000)	1	
	7016336	Boot Kit	1	
	Not Serviced	Pin, Male	8	
	Not Serviced	Connector - 8 Position	1	
501B	2910001	Controller & Harnesses (Purchase p/n 2910000)	1	
	Not Serviced	Socket, Female	8	
	Not Serviced	Connector - 8 Position	1	
501C	Not Available	Connector - 4 Position	1	
	4460693	Pin, Male	4	
	4460592	Clip	1	
	4460608	Seal, Terminal	4	
502 to 503	Not Used			
504	Not Available	High Drive Cut-Out	1	
	1060341	Cable, Electrical 16/2	9ft/2.7m	
	4460320	Connector - 2 Position	1	
	4460268	Socket, Female	2	
505	1060360	Cable, Battery (Battery to Ground)	1	
506	1060632	Cable, Battery (Battery to Start Relay)	1	
507	1060221	Cable, Solenoid (Starter to Engine Tray)	1	
		<b>ACCESSORIES HARNESS ASSEMBLIES</b>	Ref.	
601	Not Available	Harness Beacon	1	
	1060341	Cable, Electrical - 18/2	10ft./3.0m	
602	Not Available	Harness - Tilt Alarm	1	
	1060330	Cable, Electrical - 16/3	6ft./1.8m	
602A	4460445	Connector - 3 Pin	1	
	4460227	Pin Male	3	
602B	4460326	Plug, Connector	1	
	4460226	Socket, Female	3	
603	Not Available	Harness - Worklight	1	
	1060341	Cable, Electrical - 16/2	65ft/20m	
604	Not Available	Harness - Overload (Japanese/French Spec.)	1	
	1060341	Cable, Electrical - 16/2	40ft/12.2m	
605	Not Available	Harness - Alarm (Descent/Motion/Travel)	1	
	1060341	Cable, Electrical - 16/2	4ft/1.2m	
606	4922258	Harness - Horn	1	
	1060341	Cable, Electrical - 16/2	A/R	
607		Generator Electrical Components	Ref.	
	4933074	110 Volt	Ref.	2

SECTION 7 ELECTRICAL

# SECTION 7 ELECTRICAL

FIGURE 7-4. HARNESS AND CABLE ASSEMBLIES

FIG & ITEM #	PART NUMBER	DESCRIPTION	QTY.	REV.
608	4922232	Harness - AC	1	
	1060308	Cable 12/3	7ft/2.1m	
608A	4460138	Plug, Male	1	
608B	4460779	Plug, Female	1	

SECTION 7 ELECTRICAL

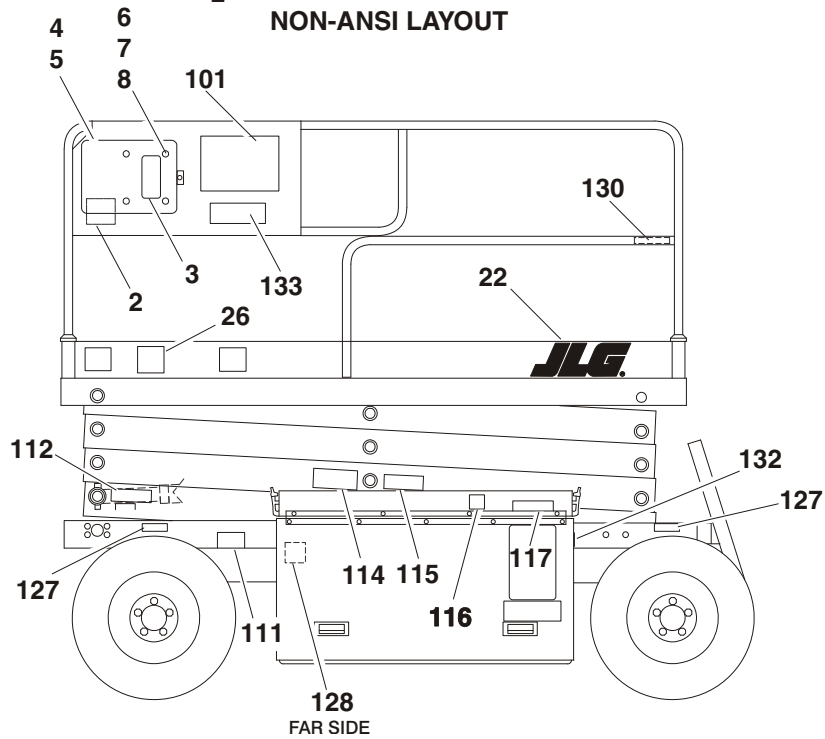
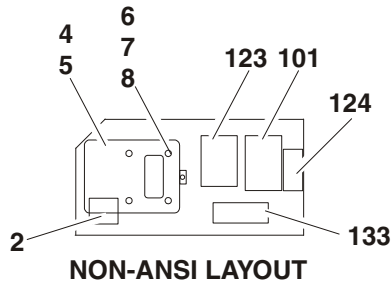
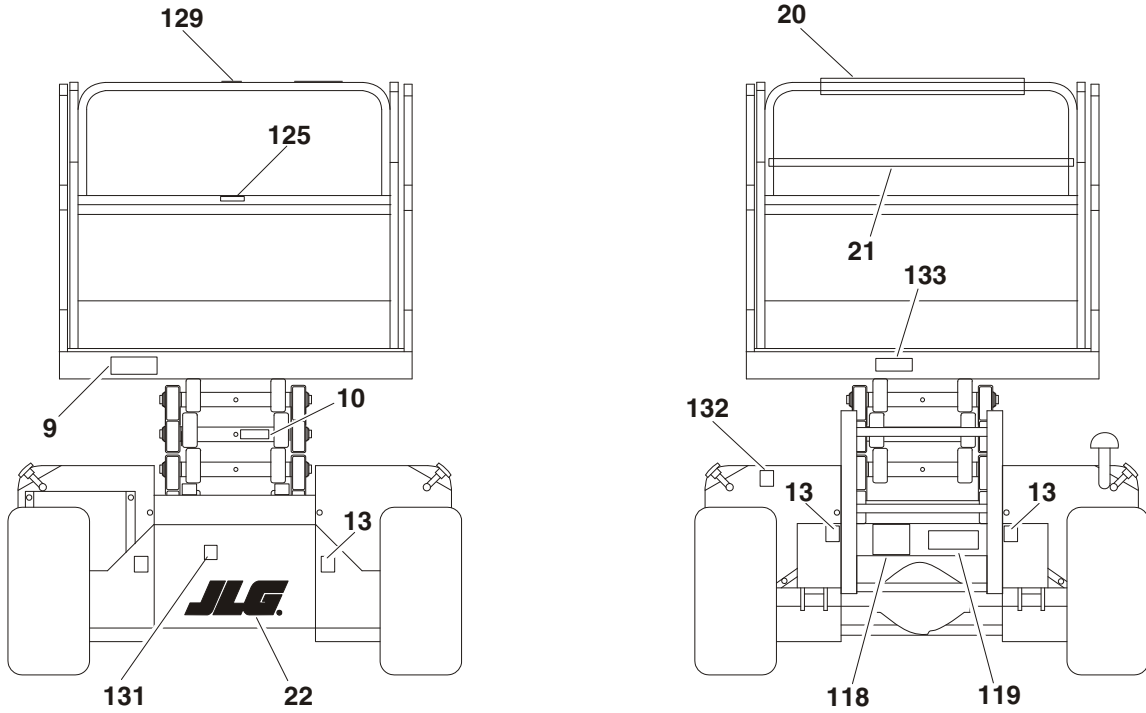
# SECTION 8 DECALS

TABLE OF CONTENTS		
FIGURE	DESCRIPTION	PAGE
8-1	Decals Installations . . . . .	8-2

**S  
E  
C  
T  
I  
O  
N  
  
8  
  
D  
E  
C  
A  
L  
S**

# SECTION 8 DECALS

FIGURE 8-1.DECALS INSTALLATIONS



SECTION 8 DECALS



# SECTION 8      DECALS

**FIGURE 8-1. DECALS INSTALLATIONS**

FIG & ITEM #	PART NUMBER	DESCRIPTION	QTY.	REV.
	0257048	<b>DECAL INSTALLATION (COMMON)</b>	Ref.	2
1	Not Used			
2	3251813	Decal - USA	1	
3	1701509	Decal - Manual	1	
4	0860520	Box, Manual Storage	1	
5	1060279	Cable, Lanyard	1	
6	0641405	Bolt 1/4"-20NC x 5/8"	4	
7	4751400	Flatwasher 1/4"	8	
8	3311405	Locknut 1/4"-20NC	4	
9	3252492	Decal - 26MRT	1	
10	1702939	Decal - Safety Prop Location	1	
11 to 12	Not Used			
13	1702300	Decal - Tie Down	4	
14 to 19	Not Used			
20	3340612	Pad, Bumper	2ft/.61m	
21		Tubing Options:	2ft/.61m	
	2820024	Tubing, Vinyl (Prior to S/N 49766)		
	2820097	Mesh (S/N 49766 to Present)		
22	1702773	Decal - JLG	3	
23 to 25	Not Used			
26	Not Available	Decal - Bar Code	1	
27 to 31	Not Used			
		<b>DECAL INSTALLATION (COUNTRY SPEC.) OPTIONS:</b>	Ref.	
	0256494	<b>ANSI</b>	Ref.	7
	0257762	<b>Brazil</b>	Ref.	3
	0257151	<b>ANSI French</b>	Ref.	3
	0256495	<b>Japanese</b>	Ref.	D
	0256496	<b>ANSI Spanish</b>	Ref.	7
101		Decal - Danger Options:	1	
	1702954	ANSI		
	1703552	Brazil		
	1703392	ANSI French		
	3252149	Japanese		
	3252459	ANSI Spanish (Prior to S/N 29401)		
	3253393	ANSI Spanish (S/N 29401 to Present)		
102 to 110	Not Used			
111		Decal - Manual Descent Options:	1	
	1701510	ANSI		
	1701510	Brazil		
	1701510	ANSI French		
	1701628	Japanese		
	1701510	ANSI Spanish		

**SECTION 8 DECALS**

# SECTION 8      DECALS

**FIGURE 8-1. DECALS INSTALLATIONS (CONTINUED)**

FIG & ITEM #	PART NUMBER	DESCRIPTION	QTY.	REV.
112		Decal - Safety Prop Options:	1	
	1701839	ANSI		
	1703550	Brazil		
	1701512	ANSI French		
	1701622	Japanese		
	1701856	ANSI Spanish		
113	Not Used			
114		Decal - Electrocution Options:	2	
	1702250	ANSI		
	1703612	Brazil		
	1703499	ANSI French		
	1701620	Japanese		
	1702554	ANSI Spanish		
115		Decal - Crushing Options:	2	
	1702246	ANSI		
	1703583	Brazil		
	Not Required	ANSI French		
	1701626	Japanese		
	1702559	ANSI Spanish		
116	1701504	Decal - Hydraulic Fluid (Prior to S/N 31728)	1	
117		Decal - Ground Controls Options:	1	
	1702248	ANSI		
	1703554	Brazil		
	1701515	ANSI French		
	1701624	Japanese		
	1701858	ANSI Spanish		
118		Decal - Inspection Options:	1	
	1702153	ANSI		
	Not Required	Brazil		
	1703074	ANSI French		
	1701621	Japanese		
	1702552	ANSI Spanish		
119	Not Available	Nameplate - Serial Number	1	
120 to 122	Not Used			
123		Decal - Danger Options:		
	Not Required	ANSI		
	Not Required	Brazil		
	Not Required	ANSI French		
	3252149	Japanese		
	Not Required	ANSI Spanish		
124		Nameplate - Caution Options:		
	Not Required	ANSI		
	Not Required	Brazil		
	Not Required	ANSI French		
	3252158	Japanese		
	Not Required	ANSI Spanish		

# SECTION 8      DECALS

**FIGURE 8-1. DECALS INSTALLATIONS (CONTINUED)**

FIG & ITEM #	PART NUMBER	DESCRIPTION	QTY.	REV.
125		Decal - Capacity Extension Options:	1	
	3251852	ANSI		
	Not Required	Brazil		
	Not Required	ANSI French		
	Not Required	Japanese		
	3252452	ANSI Spanish (Prior to S/N 41017)		
	3252454	ANSI Spanish (S/N 41017 to Present)		
126	Not Used			
127		Decal - Legend Options:	1	
	1703078	ANSI		
	Not Required	Brazil		
	Not Required	ANSI French		
	Not Required	Japanese		
	Not Required	ANSI Spanish		
128		Decal - Warning Fan	1	
	3250914	ANSI		
	1703162	Brazil		
	Not Required	ANSI French		
	Not Required	Japanese		
	Not Required	ANSI Spanish		
129		Decal - Platform Control Box Location Options:	1	
	3252136	ANSI		
	Not Required	Brazil		
	Not Required	ANSI French		
	Not Required	Japanese		
	Not Required	ANSI Spanish		
130		Decal - Attach Lanyard Here Options: (S/N 52320 to Present)	2	
	1702612	ANSI		
	1703900	Brazil		
	1703860	ANSI French		
	Not Required	Japanese		
	1702690	ANSI Spanish		
131		Decal - Tow Valve Options: (S/N 35428 to Present)	1	
	1703030	ANSI		
	1703634	Brazil		
	1703172	ANSI French		
	1703167	Japanese		
	1703168	ANSI Spanish		
132		Decal - Fuel Options:	1	
	1701505	Diesel		
	1700430	Gas		
133		Nameplate - Capacity Options:	2	
	3252463	ANSI		
	3252566	Brazil		
	3252527	ANSI French		
	3252178	Japanese		
	1703777	ANSI Spanish		

**SECTION 8 DECALS**

# SECTION 8      DECALS

**FIGURE 8-1. DECALS INSTALLATIONS (CONTINUED)**

FIG & ITEM #	PART NUMBER	DESCRIPTION	QTY.	REV.
		-----		
	2910031	Decal Kit Options: ANSI/ANSI French (Includes Items 2, 3, 9, 10, 13, 22, 101, 111, 112, 114, 115, 117,118, 125, 127, 128, 129 & 131)	1	
	2900944	ANSI/ANSI French (Includes Items 2, 3, 9, 10, 13, 14, 20, 22, 101, 111, 112, 115, 117, 128, 130 & 131)		
	2910019	ANSI Spanish (Includes Items 2, 3, 9, 10, 22, 101, 111, 112, 114, 115, 117,118, 125, 130 & 131)		

**SECTION 8 DECALS**

# SECTION 9 RECOMMENDED SERVICE PARTS STOCK

## MODEL 26MRT

The following list will service fleets of machines (built to current production per date on the front cover) with emergency repair parts which can be installed in the field. Parts from the list should be replaced when inventory is depleted to keep service parts stock supplied. For further information, contact your JLG dealer or the JLG Industries Parts Department.

JLG PART NUMBER	DESCRIPTION	QTY PER FLEET		
		1-4	5-9	10 OR MORE
<b>STANDARD PARTS</b>				
4360342	Switch, Tilt Indicator (Figure 1-6)	1	1	1
7014803	Breather (Figure 2-1)	1	2	3
2120158	Element, Return Filter (Figure 2-1)	4	8	12
2120150	Element, Pressure Filter (Figure 2-1)	4	8	12
7012944	Coil (Figure 2-2)	1	1	1
7012772	Coil (Figure 2-2)	1	1	1
7012773	Coil (Figure 2-2)	1	1	1
2910000	Actuator, Throttle (Figures 2-3 & 2-6)	1	1	1
7015004	Element, Air Filter (Figure 2-3, 2-4 & 2-6)	12	12	12
3740049	Relay (Figures 2-3, 2-4, 2-9 & 4-5)	1	1	1
7018933	Coil (Figure 2-7)	1	1	1
4360216	Breaker, Circuit (Figure 2-9)	1	1	1
4360232	Breaker, Circuit (Figure 2-9)	1	1	1
4360387	Switch, Push Button (Figure 2-9 & 4-5)	1	1	1
4360430	Switch, Key (Figure 2-9)	1	1	1
7016339	Key, Replacement (Figure 2-9)	1	1	1
4360395	Switch, Mushroom (Figures 2-9 & 4-5) (Prior to S/N 58371)	1	1	1
4360289	Switch, Mushroom (Figures 2-9 & 4-5) (S/N 58371 to Present)	1	1	1
4360314	Switch, Toggle (Figure 2-9 & 4-5)	1	1	1
1001101076	Snap-Hook (Figure 4-2 & 4-4)	1	1	1
1600218	Card, Circuit (Figure 4-5)	1	1	1
4360118	Relay, Delay (Figure 4-5) (Prior to S/N 58990)	1	1	1
4360339	Switch, Push Button (Figure 4-5)	1	1	1
4360267	Contact, Switch (Figure 4-5)	1	1	1
1600241	Controller, Directional (Figure 4-5) (Prior to S/N 58990)	1	1	1
1600296	Controller, Directional (Figure 4-5) (S/N 58990 to Present)	1	1	1
4360336	Switch, Toggle (Figure 4-5)	1	1	1
4360069	Breaker, Circuit (Figure 4-5)	1	1	1
4360282	Block, Switch Contact (Figure 4-5)	1	1	1
7003789	Switch, Steer - 1600241 (Figure 4-6)	1	1	1
7011974	Electrical Assembly - 1600241 (Figure 4-6)	1	1	1
7011975	Potentiometer - 1600241 (Figure 4-6)	1	1	1
7011992	Switch, Steer - 1600296 (Figure 4-7)	1	1	1
7020525	Electrical Assembly - 1600296 (Figure 4-7)	1	1	1
7011975	Potentiometer - 1600296 (Figure 4-7)	1	1	1
3990013	Diode - 1 Amp (Figure 7-4)	2	2	2
3990010	Diode - 6 Amp (Figure 7-4)	2	2	2

# SECTION 9 RECOMMENDED SERVICE PARTS

## MODEL 26MRT

The following list will service fleets of machines (built to current production per date on the front cover) with emergency repair parts which can be installed in the field. Parts from the list should be replaced when inventory is depleted to keep service parts stock supplied. For further information, contact your JLG dealer or the JLG Industries Parts Department.

JLG PART NUMBER	DESCRIPTION	QTY PER FLEET		
		1-4	5-9	10 OR MORE
<b>VARIABLE PARTS</b>				
4360397	Switch, Limit (Figure 1-6)	1	1	1
1660229	Coupling Pump (Vanguard) (Figure 2-3 & 2-4)	1	1	1
7017600	Filter, Engine Oil (Vanguard) (Figure 2-3 & 2-4)	12	12	12
7017606	Coil, Ignition (Vanguard) (Figure 2-3 & 2-4)	1	1	1
7017621	Module, Ignition (Vanguard) (Figure 2-3 & 2-4)	1	1	1
7017659	Module, Electronic Ignition (Vanguard) (Figure 2-4)	1	1	1
7017655	Motor, Servo (Vanguard) (Figure 2-4)	1	1	1
7017500	Switch, Fuel Shut-Off (Dual Fuel Machines) (Figure 2-5)	1	1	1
1660228	Coupling Pump (Yanmar) (Figure 2-6)	1	1	1
7018103	Filter, Engine Oil (Yanmar) (Figure 2-6)	12	12	12
7018111	Filter, Engine Fuel (Yanmar) (Figure 2-6)	12	12	12
7018116	Solenoid, ETR Stop (Yanmar) (Figure 2-6)	1	1	1
4360448	Breaker, Circuit (With Optional Worklights) (Figure 2-9)	1	1	1
4360277	Switch, Limit (Platform Extension Interlock) (Figure 4-1)	1	1	1
1600249	Card, Circuit (Vanguard) (Figure 4-5)	1	1	1
1600250	Card, Circuit (Yanmar) (Figure 4-5)	1	1	1
1600291	Card, Circuit (With Hydraulic Drive Generator) (Figure 4-5)	1	1	1

# SECTION 10 SPECIAL OPTIONS

**Note: This list is to accomodate machines ordered with special equipment. Options may not be applicable to all models. For more specific parts information contact JLG Parts Department.**

FIG & ITEM #	PART NUMBER	DESCRIPTION	QTY.	REV.
		<b>MISCELLANEOUS SPECIAL OPTIONS</b>	Ref.	
	0270095	<b>AIR LINE INSTALLATION</b>	Ref.	
	0252972	<b>DECAL INSTALLATION - CSA</b>	Ref.	
	3252191	Decal - CSA	1	
		<b>DECAL INSTALLATION - PROP 65 WARNING</b>	Ref.	
	0256487	<b>Diesel Machines</b>	Ref.	
	1702962	Decal	1	
	0256488	<b>Gas Machines</b>	Ref.	
	1702961	Decal	1	
	1702788	<b>DECAL - BIODEGRADABLE OIL</b>	1	
		<b>ELECTRICAL CONNECTOR KITS</b>	Ref.	
	1001148902	Amp/Tyco Electrical Connector Kit	Ref.	
	1001148903	Deutsch DT Electrical Connector Kit	Ref.	
	1001148904	Deutsch HD Electrical Connector Kit	Ref.	
	1001148905	Packard Electrical Connector Kit	Ref.	
	1001148906	Various Electrical Connectors Kit	Ref.	
		<b>Filter Kits:</b>	Ref.	
		Combined Filter Kit Options (Hydraulic/Air & Fuel/Engine Oil):	1	
		Vanguard Engine		
	Use 2910932	Prior to S/N 0200048113 (was p/n 2910453)		
	1001150359	S/N 0200048113 to Present		
	Use 1001111696	Yanmar Engine (was p/n 2910469 & 2910935)		
		Hydraulic/Air Filter Options:	1	
	Use 1001150359	Vanguard Engine		
	1001111669	Yanmar Engine		
		Fuel/Engine Oil Filter Options:	1	
	Use 1001150359	Vanguard Engine		
	1001111682	Yanmar Engine		
	2901814	<b>KIT - TIE-STRAPS</b>	1	
	0257049	<b>PIPE RACKS INSTALLATION</b>	Ref.	
	0100040	<b>SEALANT</b>	2	

# SECTION 10 SPECIAL OPTIONS

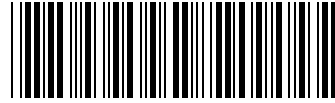
Note: This list is to accommodate machines ordered with special equipment. Options may not be applicable to all models. For more specific parts information contact JLG Parts Department.

**SECTION 10 SPECIAL OPTIONS**

FIG & ITEM #	PART NUMBER	DESCRIPTION	QTY.	REV.
		<b>TOOLS FOR SERVICE</b>	Ref.	
	7002818	Crimper (For Wire to Pin/Socket Connections)	1	
	7002823	Extractor (For Removal of Pin/Socket from Connectors)	1	
	4460467	Extractor, Pin (Blue 16-18 Gauge) (For Removal of Pin/Socket from Connectors)	1	
	4460510	Extractor, Pin (Yellow 12-14 Gauge) (For Removal of Pin/Socket from Connectors)	1	
	7004275	Seal Tool (For 1" Diameter Seals)	1	
	7004276	Seal Tool (For 1 1/2" Diameter Seals)	1	
	7002826	Seal Tool (For 2" Diameter Seals)	1	
	7002820	Arbor Set	1	
	7002840	Anti-Rotation Pin Removal Tool	1	







3120792



An Oshkosh Corporation Company

*Corporate Office*  
*JLG Industries, Inc.*  
*1 JLG Drive*  
*McConnellsburg PA. 17233-9533*  
*USA*

(717) 485-5161

(717) 485-6417

## **JLG Worldwide Locations**

JLG Industries (Australia)  
P.O. Box 5119  
11 Bolwarra Road  
Port Macquarie  
N.S.W. 2444  
Australia

+61 2 65 811111

+61 2 65 813058

JLG Latino Americana Ltda.  
Rua Eng. Carlos Stevenson,  
80-Suite 71  
13092-310 Campinas-SP  
Brazil

+55 19 3295 0407

+55 19 3295 1025

JLG Industries (UK) Ltd  
Bentley House  
Bentley Avenue  
Middleton  
Greater Manchester  
M24 2GP - England

+44 (0)161 654 1000

+44 (0)161 654 1001

JLG France SAS  
Z.I. de Baulieu  
47400 Fauillet  
France

+33 (0)5 53 88 31 70

+33 (0)5 53 88 31 79

JLG Deutschland GmbH  
Max-Planck-Str. 21  
D - 27721 Ritterhude - Ihlpohl  
Germany

+49 (0)421 69 350 20

+49 (0)421 69 350 45

JLG Equipment Services Ltd.  
Rm 1107 Landmark North  
39 Lung Sum Avenue  
Sheung Shui N. T.  
Hong Kong

(852) 2639 5783

(852) 2639 5797

JLG Industries (Italia) s.r.l.  
Via Po. 22  
20010 Pregnana Milanese - MI  
Italy

+39 029 359 5210

+39 029 359 5845

Oshkosh-JLG Singapore  
Technology Equipment Pte  
Ltd  
29 Tuas Ave 4,  
Jurong Industrial Estate  
Singapore, 639379

+65-6591 9030

+65-6591 9031

Plataformas Elevadoras  
JLG Iberica, S.L.  
Trapadella, 2  
P.I. Castellbisbal Sur  
08755 Castellbisbal, Barcelona  
Spain

+34 93 772 4700

+34 93 771 1762

JLG Sverige AB  
Enkopingsvagen 150  
Box 704  
SE - 176 27 Jarfalla  
Sweden

+46 (0)850 659 500

+46 (0)850 659 534