



Illustrated Parts Manual

Models
E600/E600J
E600JP
M600/M600J
M600JP

Prior to SN 0300219271
Excluding SN 0300218866
through 0300218868

3121118

June 21, 2018 - Rev AH

ANSI



An Oshkosh Corporation Company

REVISION LOG

July 1, 2000 - A - Original Issue Of Manual
October 30, 2000 - B - Manual Revised (Revised to B/M 0010564 Revision 3)
April 1, 2001 - C - Manual Revised (Revised to B/M 0010564 Revision 10)
June 15, 2001 - D - Manual Revised
October 1, 2002 - E - Manual Revised (Revised to B/M 0010564 Revision 16)
March 17, 2003 - F - Manual Revised (Revised to B/M 0010564 Revision 22)
July 15, 2003 - G - Manual Revised (Revised to B/M 0010564 Revision 26)
November 15, 2003 - H - Manual Revised (Revised to B/M 0010564 Revision 26)
April 30, 2004 - I - Manual Revised (Revised to B/M 0010564 Revision 28)
September 29, 2004 - J - Manual Revised (Revised to B/M 0010564 Revision 29)
February 1, 2005 - K - Manual Revised (Revised to B/M 0010564 Revision 31)
June 26, 2006 - L - Manual Revised (Revised to B/M 0010564 Revision 37)
August 31, 2006 - M - Manual Revised (Revised to B/M 0010564 Revision 38)
March 29, 2007 - N - Manual Revised (Revised to B/M 0010564 Revision 45)
September 11, 2007 - O - Manual Revised (Revised to B/M 0010564 Revision 50)
April 30, 2008 - P - Manual Revised (Revised to B/M 0010564 Revision 51)
April 15, 2009 - Q - Manual Revised (Revised to B/M 0010564 Revision 55)
October 11, 2010 - R - Manual Revised (Revised to B/M 0010564 Revision 60)
March 17, 2011 - S - Manual Revised (Revised to B/M 0010564 Revision 65)
June 13, 2011 - T - Manual Revised (Revised to B/M 0010564 Revision 65)
September 23, 2011 - U - Manual Revised (Revised to B/M 0010564 Revision 66)
December 14, 2011 - V - Manual Revised (Revised to B/M 0010564 Revision 66)
April 5, 2012 - W - Manual Revised (Revised to B/M 0010564 Revision F)
July 18, 2012 - X - Manual Revised (Revised to B/M 0010564 Revision G)
October 23, 2012 - Y - Manual Revised (Revised to B/M 0010564 Revision H)
March 1, 2013 - Z - Manual Revised (Revised to B/M 0010564 Revision H)
June 1, 2013 - AA - Manual Revised (Revised to B/M 0010564 Revision L)
September 1, 2013 - AB - Manual Revised (Revised to B/M 0010564 Revision L)

REVISION LOG

January 3, 2014 - AC - Manual Revised (Revised to B/M 0010564 Revision N)

November 1, 2014 - AD - Manual Revised (Revised to B/M 0010564 Revision V)

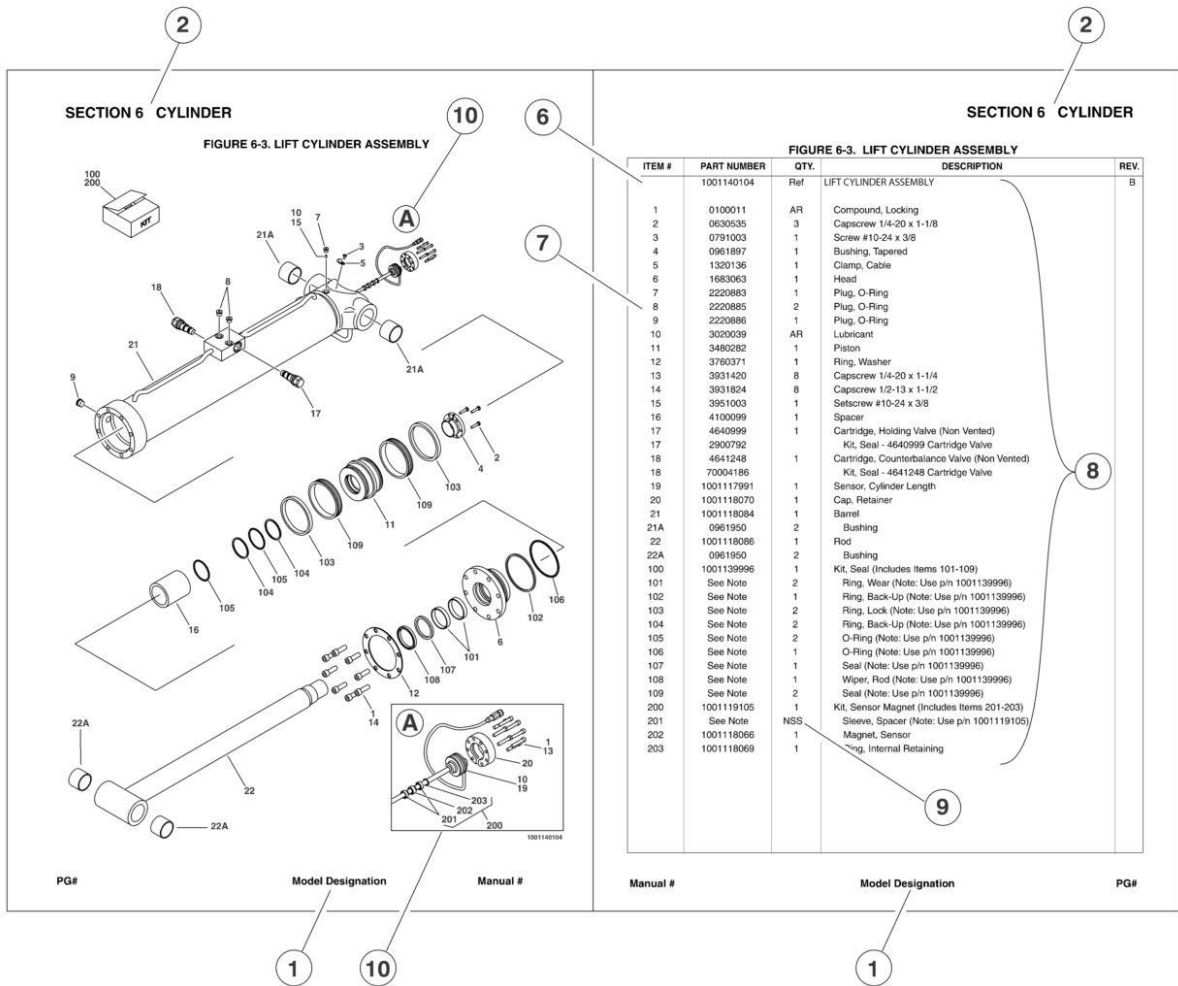
October 30, 2015 - AE - Manual Revised (Revised to B/M 0010564 Revision AI)

January 12, 2016 - AF - Manual Revised (Revised to B/M 0010564 Revision AI)

May 12, 2016 - AG - Manual Revised (Revised to B/M 0010564 Revision AI)

June 21, 2018 - AH - Manual Revised (Revised to B/M 0010564 Revision AI)

GENERAL INFORMATION



1) MACHINE IDENTIFICATION

Machines are identified by model and in some cases a combination of models, serial number (SN) or regional standard (i.e ANSI, CE, CSA). Components may also be identified by SN or manufacturer. Common components that may be identified by these characteristics are engines and hydraulic components.

2) PARTS MANUAL ORGANIZATION

Product information in this manual is organized under section titles. Frame, Cylinder, Hydraulic and Electrical are a few examples. Each section is organized by figure and page number. The information within the Figure is then organized by item number, part number, description and corresponding illustration (s).

3) TABLE OF CONTENTS

A table of contents is found toward the beginning of the manual. Figure number, description and page number are provided for quick reference to the page containing the related information.

4) RECOMMENDED SPARE PARTS

The Recommended Spare Parts, located near the end of the manual, reference most frequently used maintenance parts.

5) PART NUMBER INDEX

A numerical index listing all part numbers and the corresponding page number(s) appears at the back of the manual.

GENERAL INFORMATION

6) NON-SERVICED PARTS

In some instances, it is necessary to display non-serviced parts, assemblies or installations. In the case of assemblies and installations there will be a Ref in the Qty column. In case of parts that are not available for service within assemblies or components, there will be a NSS (Not Sold Separately) or NLA (No Longer Available) listed in the Qty. column of the manual.

7) PARTS LIST ITEM NUMBERS

Numbers shown in the item# column correspond to numbers used in the associated illustration (s). Item numbers which are missing from the sequence in the parts list are not used on that page

8) INDENTED PARTS DESCRIPTION

An indented part description is included in the item under which it is indented.

9) ABB REVIATION AND SYMBOLS

AC.....	.. Alternating Current	LCD	Liquid Crystal Display
ADE.....	..Advanced Design Electronics	LED	Light Emitting Diodes
ANSIAmerican National Standards Institute	LH.....	.. Left Hand
AR.....	..As Required	LSSLoad Sensing System
ASSY	Assembly	M(m).....	.. Metric/Meter
AUX.....	..Auxiliary	MM (mm)Milimeter
AWG.....	..American WireGauge	mA.....	.. Milliamps
B/M.....	.. Bill of Material	NLA.....	..No Longer Available
CE.....	..European Conformity	NPT National Pipe T threads
CCWCounter Clockwise	NSSNot Sold Separately
cm.....	..Centimeter	OD.....	..Outside Diameter
CW.....	..Clockwise	OR B.....	.. O-Ring Bos s
CSA.....	..Canadian Standards Association	OR F S.....	.. O-Ring Face Seal
CYL.....	..Cylinder	OZ (oz).....	..Ounces
DIA.....	..Diameter	PGPage
DC.....	..Direct Current	P/N.....	..Part Number
EMS	Emergency Stop	qt.....	..Quarts
ENGEngine	QTY.....	..Quantity
FT (ft).....	..Feet	REFReference
GA(Ga).....	..Gauge	REVRevision Level
HYDHydraulic	RH.....	.. Right Hand
Hz.....	..Hertz	SAE.....	.. Society of Automotive Engineers
ID.....	..Inside Diameter	SN.....	..Serial Number
in.....	..inches	SPEC(S).....	..Specifications
ISOInternational Organization for Standards	T/T.....	..Turntable
JIC.....	..Joint Industry Council	UGMUniversal Ground Module
KGKilogram	V.....	.. Volts
L.....	..Liter	W.....	.. Watts
LBPounds	#.....	.. Number

10) ILLUSTRATION REFERENCE LETTERS

When necessary, illustrations may contain reference letters that are intended to track information (i. e. hoses, harnesses) from one point to another or to track visual enlargement of components to show details that may be located in another area on the illustration.

Note: Due to continuous product improvements, JLG Industries, Inc. reserves the right to make specification changes without prior notification. Contact JLG Industries, Inc. for updated information.

TABLE OF CONTENTS

SECTION 1 - FRAME.....	9
FIGURE 1-1. AXLE AND STEER INSTALLATION - 2WD.....	10
FIGURE 1-2. AXLE STEERING INSTALLATION - 4WD.....	14
FIGURE 1-3. TIRE AND WHEEL DRIVE INSTALLATIONS.....	18
FIGURE 1-4. DRIVE BRAKE ASSEMBLY (REAR).....	22
FIGURE 1-5. DRIVE HUB ASSEMBLY (REAR) (Prior to SN 0300112387).....	24
FIGURE 1-6. DRIVE HUB ASSEMBLY (REAR) (SN 0300112387 through 0300219271).....	28
FIGURE 1-7. DRIVE MOTOR ASSEMBLY (4WD FRONT).....	32
FIGURE 1-8. VALVES, ELECTRICAL COMPONENTS AND SHIELDS INSTALLATIONS.....	34
FIGURE 1-9. DRIVE VALVE ASSEMBLY (4WD ONLY).....	38
FIGURE 1-10. TOW PACKAGE INSTALLATION.....	40
SECTION 2 - TURNTABLE.....	43
FIGURE 2-1. VALVE AND HORN INSTALLATIONS.....	44
FIGURE 2-2. MAIN CONTROL VALVE ASSEMBLY.....	46
FIGURE 2-3. TURNTABLE AND SWING DRIVE INSTALLATION.....	50
FIGURE 2-4. SWING MOTOR ASSEMBLY (Prior to SN 0300058845).....	54
FIGURE 2-5. SWING MOTOR ASSEMBLY (SN 0300058845 through 0300219271).....	56
FIGURE 2-6. YANMAR GENERATOR COMPONENTS INSTALLATION (M600/M600J/M600JP ONLY) (Prior to SN 0300088375).....	60
FIGURE 2-7. KUBOTA GENERATOR COMPONENTS INSTALLATION (M600/M600J/M600JP ONLY) (SN 0300088375 through 0300219271).....	64
FIGURE 2-8. PUMP/MOTOR, TANKS AND MODULE INSTALLATION.....	68
FIGURE 2-9. PUMP ASSEMBLY.....	72
FIGURE 2-10. ELECTRIC MOTOR ASSEMBLY.....	74
FIGURE 2-11. BATTERY CHARGER INSTALLATIONS.....	76
FIGURE 2-12. BATTERY CHARGER ASSEMBLY.....	80
FIGURE 2-13. BATTERY BOX INSTALLATIONS (Prior to SN 0300196439).....	84
FIGURE 2-14. BATTERY BOX INSTALLATIONS (SN 0300196439 through 0300219271).....	88
FIGURE 2-15. GROUND CONTROL PANEL ASSEMBLY AND INSTALLATION.....	92
FIGURE 2-16. MAIN TERMINAL BOX ASSEMBLY AND INSTALLATION (Prior to SN 0300196439).....	96
FIGURE 2-17. MAIN TERMINAL BOX ASSEMBLY AND INSTALLATION (SN 0300196439 through 0300219271).....	98
FIGURE 2-18. ELECTRICAL COMPONENT INSTALLATIONS.....	100
FIGURE 2-19. HOODS INSTALLATION.....	104
SECTION 3 - BOOM.....	107
FIGURE 3-1. BOOM INSTALLATION - E600 AND M600.....	108
FIGURE 3-2. BOOM INSTALLATION - E600J AND M600J.....	112
FIGURE 3-3. BOOM INSTALLATION - E600JP AND M600JP.....	116
FIGURE 3-4. MAIN BOOM ASSEMBLY.....	120
FIGURE 3-5. ROTATOR ASSEMBLIES.....	124
FIGURE 3-6. PLATFORM SUPPORT AND ROTATOR VALVE INSTALLATION.....	128
FIGURE 3-7. CABLES, CLAMPS AND LIMIT SWITCHES INSTALLATION.....	132
SECTION 4 - PLATFORM.....	135
FIGURE 4-1. PLATFORM INSTALLATIONS (FRONT ENTRY).....	136
FIGURE 4-2. PLATFORM INSTALLATIONS (SIDE ENTRY).....	140
FIGURE 4-3. PLATFORM COMPONENTS INSTALLATION (FALL ARREST PLATFORM).....	144
FIGURE 4-4. PLATFORM CONSOLE ASSEMBLY (WITHOUT SKYGUARD).....	146
FIGURE 4-5. PLATFORM CONSOLE ASSEMBLY (WITH SKYGUARD).....	152
FIGURE 4-6. CONTROLLER ASSEMBLY (SWING AND LIFT) (Prior to SN 0300146804).....	156
FIGURE 4-7. CONTROLLER ASSEMBLY (SWING AND LIFT) (SN 0300146804 through 0300194270).....	158
FIGURE 4-8. CONTROLLER ASSEMBLY (SWING AND LIFT) (SN 0300194271 through 0300219271).....	160
FIGURE 4-9. CONTROLLER ASSEMBLY (DRIVE AND STEER) (Prior to SN 0300146804).....	164
FIGURE 4-10. CONTROLLER ASSEMBLY (DRIVE AND STEER) (SN 0300146804 through 0300194270).....	166
FIGURE 4-11. CONTROLLER ASSEMBLY (DRIVE AND STEER) (SN 0300194271 through 0300219271).....	168
FIGURE 4-12. SOFT TOUCH INSTALLATION (FRONT ENTRY PLATFORM).....	170
FIGURE 4-13. SOFT TOUCH INSTALLATION (SIDE ENTRY PLATFORM).....	172
FIGURE 4-14. PLATFORM PADDING INSTALLATION (SIDE ENTRY PLATFORM).....	174
FIGURE 4-15. SKYGUARD SYSTEM INSTALLATION.....	176
FIGURE 4-16. CROSS RAIL INSTALLATION.....	178
FIGURE 4-17. SKYGLAZIER INSTALLATION (ANSI AND CSA SPECS).....	180

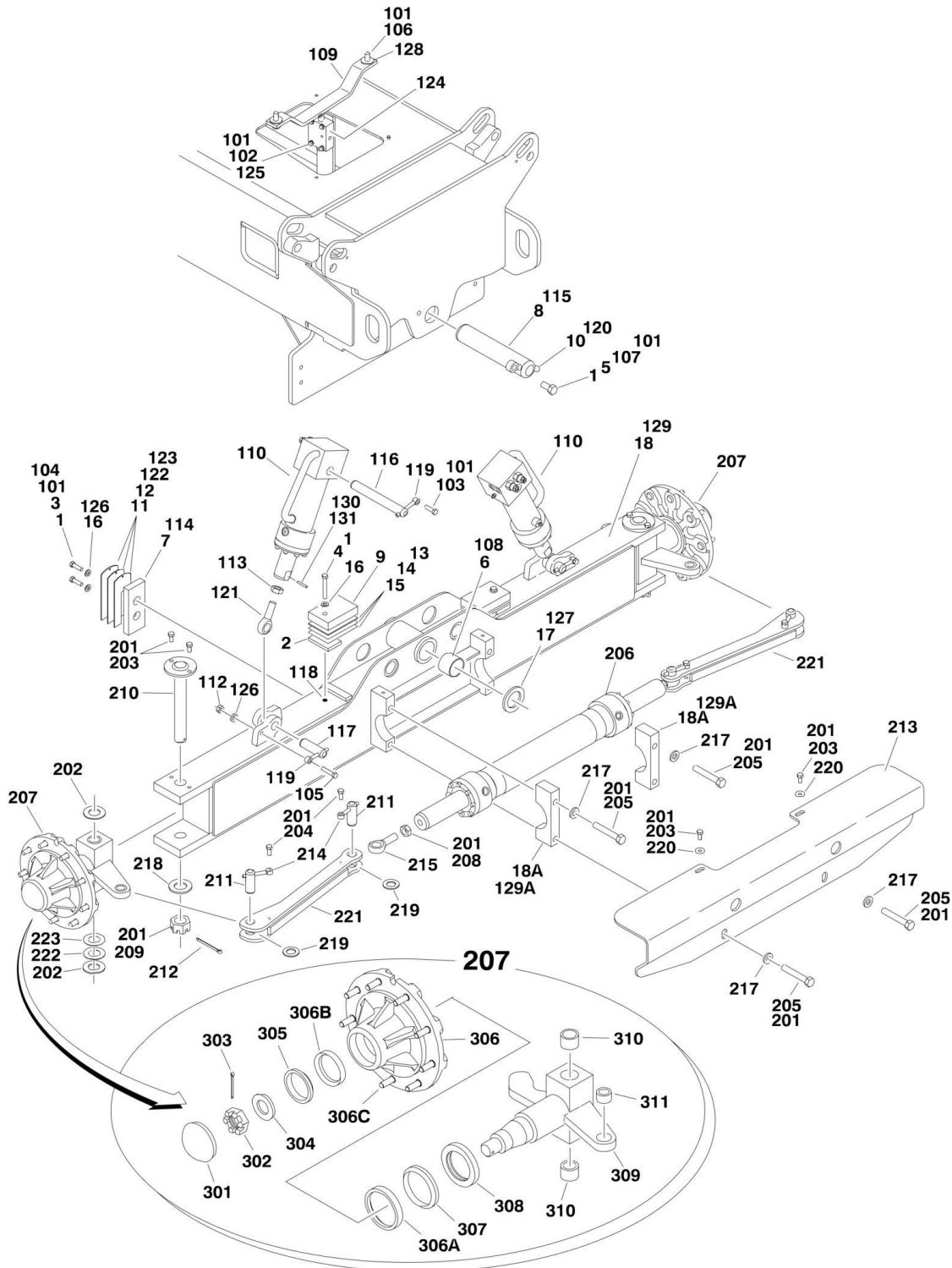
TABLE OF CONTENTS

FIGURE 4-18. SKYGLAZIER INSTALLATION (ANSI EXPORT SPECS) (SPANISH/PORTUGUESE)	182
FIGURE 4-19. SKYGLAZIER INSTALLATION (ANSI EXPORT SPECS) (ENGLISH/SPANISH)	184
SECTION 5 - CYLINDER.....	187
FIGURE 5-1. AXLE LOCKOUT CYLINDER ASSEMBLY.....	188
FIGURE 5-2. LEVEL CYLINDER ASSEMBLY - PLATFORM SLAVE (Prior to SN 0300163480)	192
FIGURE 5-3. LEVEL CYLINDER ASSEMBLY - PLATFORM SLAVE (SN 0300163480 through 0300219271).....	196
FIGURE 5-4. LIFT CYLINDER ASSEMBLY - JIB (E600J, M600J, E600JP & M600JP ONLY) (Prior to SN 0300163480).....	198
FIGURE 5-5. LIFT CYLINDER ASSEMBLY - JIB (E600J, M600J, E600JP & M600JP ONLY) (SN 0300163480 through 0300219271)	200
FIGURE 5-6. LIFT CYLINDER ASSEMBLY - MAIN (ORIGINAL EQUIPMENT)	202
FIGURE 5-7. LIFT CYLINDER ASSEMBLY - MAIN (SERVICE REPLACEMENT)	204
FIGURE 5-8. MASTER CYLINDER ASSEMBLY	206
FIGURE 5-9. STEER CYLINDER ASSEMBLY (Prior to SN 0300165153).....	208
FIGURE 5-10. STEER CYLINDER ASSEMBLY (SN 0300165153 through 0300219271)	210
FIGURE 5-11. TELESCOPE CYLINDER ASSEMBLY	212
FIGURE 5-12. TELESCOPE CYLINDER ASSEMBLY (SERVICE REPLACEMENT)	214
SECTION 6 - HYDRAULIC	217
FIGURE 6-1. 4WD HYDRAULIC DIAGRAM	218
FIGURE 6-2. OSCILLATING AXLE HYDRAULIC DIAGRAM	220
FIGURE 6-3. STANDARD HYDRAULIC DIAGRAM.....	222
FIGURE 6-4. HYDRAULIC DIAGRAM LIST.....	226
SECTION 7 - ELECTRICAL.....	227
FIGURE 7-1. ELECTRICAL DIAGRAM LIST	228
FIGURE 7-2. HARNESS COMPONENTS INSTALLATION (WITH MAC CHARGER).....	230
FIGURE 7-3. HARNESS COMPONENTS INSTALLATION (WITH DELTA-Q CHARGER)	242
SECTION 8 - DECALS	255
FIGURE 8-1. DECALS INSTALLATION - ANSI SPEC.....	256
FIGURE 8-2. DECALS INSTALLATION - COUNTRY SPEC	260
SECTION 9 - RECOMMENDED SERVICE PARTS STOCK.....	269
FIGURE 9-1. MODELS E600/J/JP & M600/J/JP STANDARD PARTS	270
FIGURE 9-2. MODELS E600/J/JP & M600/J/JP VARIABLE PARTS.....	272
SECTION 10 - SPECIAL OPTIONS	273
FIGURE 10-1. SPECIAL OPTIONS LIST.....	274
PART NUMBER INDEX.....	279

SECTION 1 - FRAME

SECTION 1 - FRAME

FIGURE 1-1. AXLE AND STEER INSTALLATION - 2WD



SECTION 1 - FRAME

FIGURE 1-1. AXLE AND STEER INSTALLATION - 2WD

ITEM	PART NUMBER	QTY	DESCRIPTION	REV
	0259827	Ref	FIXED AXLE INSTALLATION	D
1	0100011	AR	Locking, Compound	
2	0362763	2	Bar, Stop	
3	0641610	4	Bolt 3/8in-16NC x 1-1/4in	
4	0641622	2	Bolt 3/8in-16NC x 2-3/4in	
5	0642010	1	Bolt 5/8in-11NC x 1-1/4in	
6	0961950	2	Bushing	
7	3340837	2	Pad, Wear	
8	3422592	1	Pin, Axle Pivot	
9		Ref	Plate, Stop Options:	
9	3570901	2	Plate, Stop (Prior to SN 0300079940)	
9	0362954	2	Plate, Stop (SN 0300079940 through 0300219271)	
10	3841258	1	Keeper, Pin	
11	4070897	4	Shim #18Ga	
12	4070898	2	Shim #11Ga	
13	4070972	1	Shim 3/16in	
14	4070973	2	Shim #11Ga	
15	4070974	2	Shim #16Ga	
16	4711600	6	Flatwasher 3/8in Thin	
17	4740158	1	Thrustwasher	
18	4846077	1	Axle Weldment	
18A	0561371	2	Steer Cylinder Mounting Block Assembly	
		Ref	OSCILLATING AXLE INSTALLATION	
	0259756	Ref	Without Tow Package	K
	0270525	Ref	With Tow Package	F
101	0100019	AR	Locking, Compound	
102	0641414	4	Bolt 1/4in-20NC x 1-3/4in	
103	0641608	2	Bolt 3/8in-16NC x 1in	
104	0641610	4	Bolt 3/8in-16NC x 1-1/4in	
105	0641614	2	Bolt 3/8in-16NC x 1-3/4in	
106	0641812	2	Bolt 1/2in-13NC x 1-1/2in	
107	0642010	1	Bolt 5/8in-11NC x 1-1/4in	
108	0961950	2	Bushing	
109	1100120	1	Cam, Lockout	
110		Ref	Lockout Cylinder Assembly Options (See CYLINDER SECTION for Breakdown):	
110		Ref	Without Tow Package	
110	1683575	NLA	Lockout Cylinder Assembly (Use p/n 1684139) (Prior to SN 0300051263)	
110	1683931	2	Lockout Cylinder Assembly (SN 0300051263 through 0300062043)	
110	1684071	2	Lockout Cylinder Assembly (SN 0300062044 through 0300064015)	
110	1684129	NLA	Lockout Cylinder Assembly (Use p/n 1684419) (SN 0300064016 through 0300077548)	
110	1684419	2	Lockout Cylinder Assembly (SN 0300077549 through 0300219271)	
110		Ref	With Tow Package	
110	1683931	2	Lockout Cylinder Assembly (Prior to SN 0300062044)	
110	1683575	NLA	Lockout Cylinder Assembly (Use p/n 1684139) (SN 0300062044 through 0300219271)	

SECTION 1 - FRAME

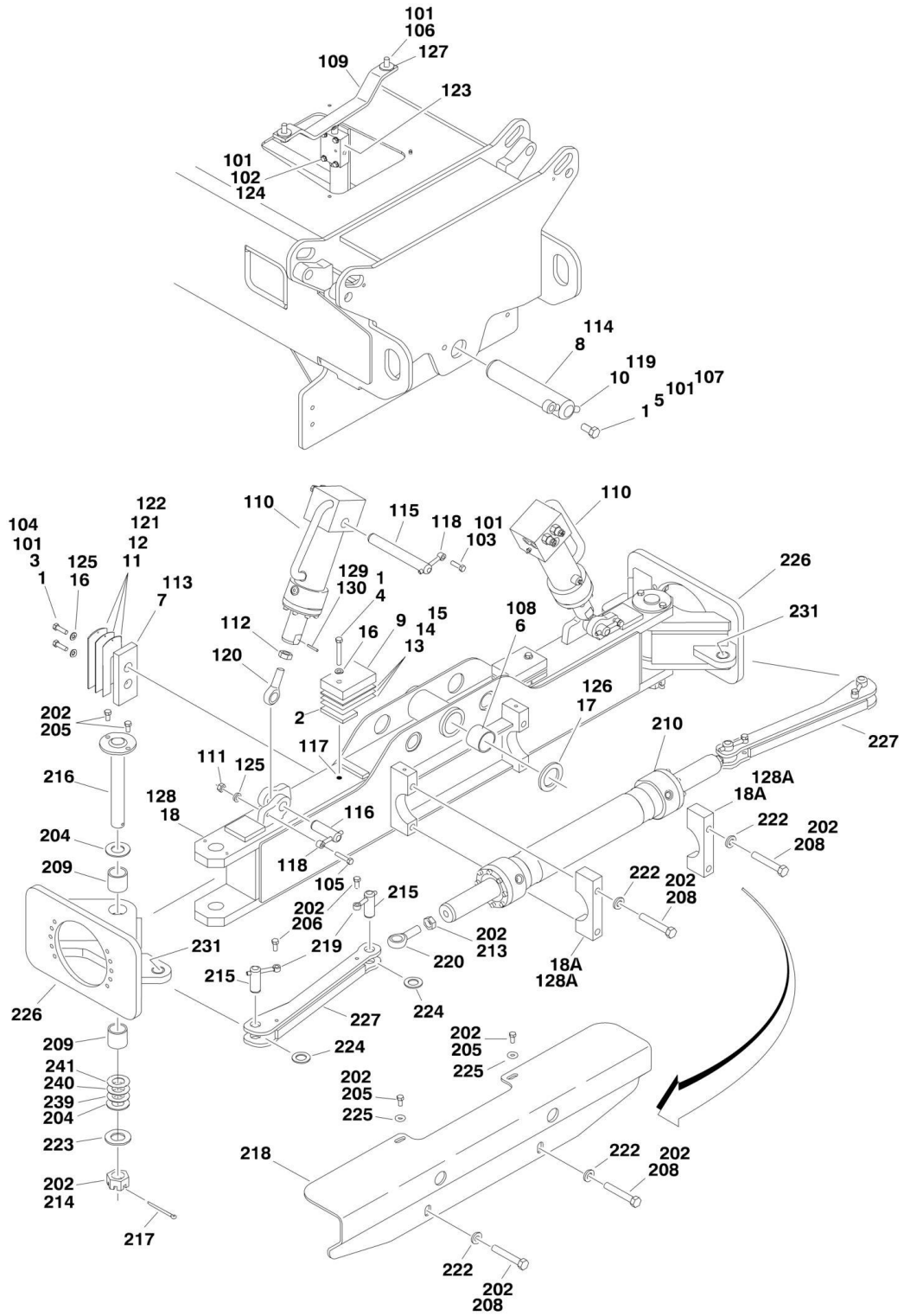
ITEM	PART NUMBER	QTY	DESCRIPTION	REV
112	3311605	2	Locknut 3/8in-16NC	
113	3322202	2	Nut, Jam 3/4in-16NF (Prior to SN 0300064016)	
114	3340837	2	Pad, Wear	
115	3422592	1	Pin, Axle Pivot	
116	3422578	2	Pin (Top)	
117	3422813	2	Pin (Bottom)	
118	3520034	2	Plug, Hole	
119	3841143	4	Keeper, Pin	
120	3841258	1	Keeper, Pin	
121	3841443	2	Rod-End (Prior to SN 0300064016)	
122	4070897	4	Shim #18Ga	
123	4070898	2	Shim #11Ga	
124	4640871	1	Lockout Valve Assembly	
124	7012693	1	Seal Kit - 4640871 Valve	
124	7002840	1	Anti Pin Removal Tool	
125	4711400	4	Flatwasher 1/4in Thin	
126	4711600	6	Flatwasher 3/8in Thin	
127	4740158	1	Thrustwasher	
128	4751800	4	Flatwasher 1/2in Regular	
129		Ref	Axle Weldment Options:	
129	4846077	1	Without Tow Package	
129	4846293	1	With Tow Package	
129A	0561371	2	Steer Cylinder Mounting Block Assembly	
130	0100019	AR	Locking, Compound (SN 0300062044 through 0300064015)	
131	3440824	2	Pin, Roll (SN 0300062044 through 0300064015)	
		Ref	STEERING INSTALLATION	
	0259755	Ref	Without Tow Package	H
	See Note	Ref	With Tow Package (Note: See TOW PACKAGE INSTALLATION for Breakdown)	
201	0100011	AR	Locking, Compound	
202	0440162	AR	Thrustwasher	
203	0641606	6	Bolt 3/8in-16NC x 3/4in	
204	0641607	4	Bolt 3/8in-16NC x 7/8in	
205	0642030	4	Bolt 5/8in-11NC x 3-3/4in	
206		Ref	Steer Cylinder Assembly (See CYLINDER SECTION for Breakdown)	
206	1683851	NLA	Steer Cylinder Assembly (Use p/n 1001140281) (Prior to SN 0300165153)	
206	1001140281	1	Steer Cylinder Assembly (SN 0300165153 through 0300219271)	
207	2780245	2	Hub/Spindle Assembly (See Items 301-311 for Breakdown)	
208	3322202	2	Nut, Jam 3/4in-16NF	
209	3323003	2	Nut 1-1/4in-12NF	
210	3422692	2	Kingpin	
211	3422817	4	Pin	
212	3450812	2	Pin, Cotter 1/4in x 3in	
213	3571709	1	Plate, Steer Cylinder Cover (Prior to SN 0300187512)	
214	3841143	4	Keeper, Pin	
215	3841443	2	Rod-End	
217	4892000	4	Flatwasher, 5/8in Hardened	
218	4713000	2	Flatwasher 1-1/4in Thin	
219	4740111	4	Thrustwasher	

SECTION 1 - FRAME

ITEM	PART NUMBER	QTY	DESCRIPTION	REV
220	4751600	2	Flatwasher 3/8in Regular (Prior to SN 0300187512)	C
221	4846076	2	Tie-Rod	
222	1001151395	AR	Shim .048 (SN 0300176747 through 0300219271)	
223	1001151428	AR	Shim .036 (SN 0300176747 through 0300219271)	
	2780245	Ref	HUB ASSEMBLY	
301	7020137	2	Cap, Dust (1 Per Assembly)	
302	7020054	2	Nut, Castle (1 per Assembly)	
303	7020140	2	Pin, Cotter (1 per Assembly)	
304	7020055	2	Washer, Spindle (1 Per Assembly)	
305	7020039	2	Cone, Bearing - Outer (1 per Assembly)	
306	7020035	2	Hub (1 Per Assembly)	
306A	7020036	2	Cup, Bearing - Inner (1 per Assembly)	
306B	7020038	2	Cup, Bearing - Outer (1 per Assembly)	
306C	7020041	18	Stud, Wheel (9 Per Assembly)	
307	7020037	2	Cone, Bearing - Inner (1 per Assembly)	
308	7020040	2	Seal (1 Per Assembly)	
309	7020251	2	Spindle Assembly (1 Per Assembly)	
310	0961951	4	Bushing (2 Per Assembly)	
311	0962292	2	Bearing (1 Per Assembly)	

SECTION 1 - FRAME

FIGURE 1-2. AXLE STEERING INSTALLATION - 4WD



SECTION 1 - FRAME

FIGURE 1-2. AXLE STEERING INSTALLATION - 4WD

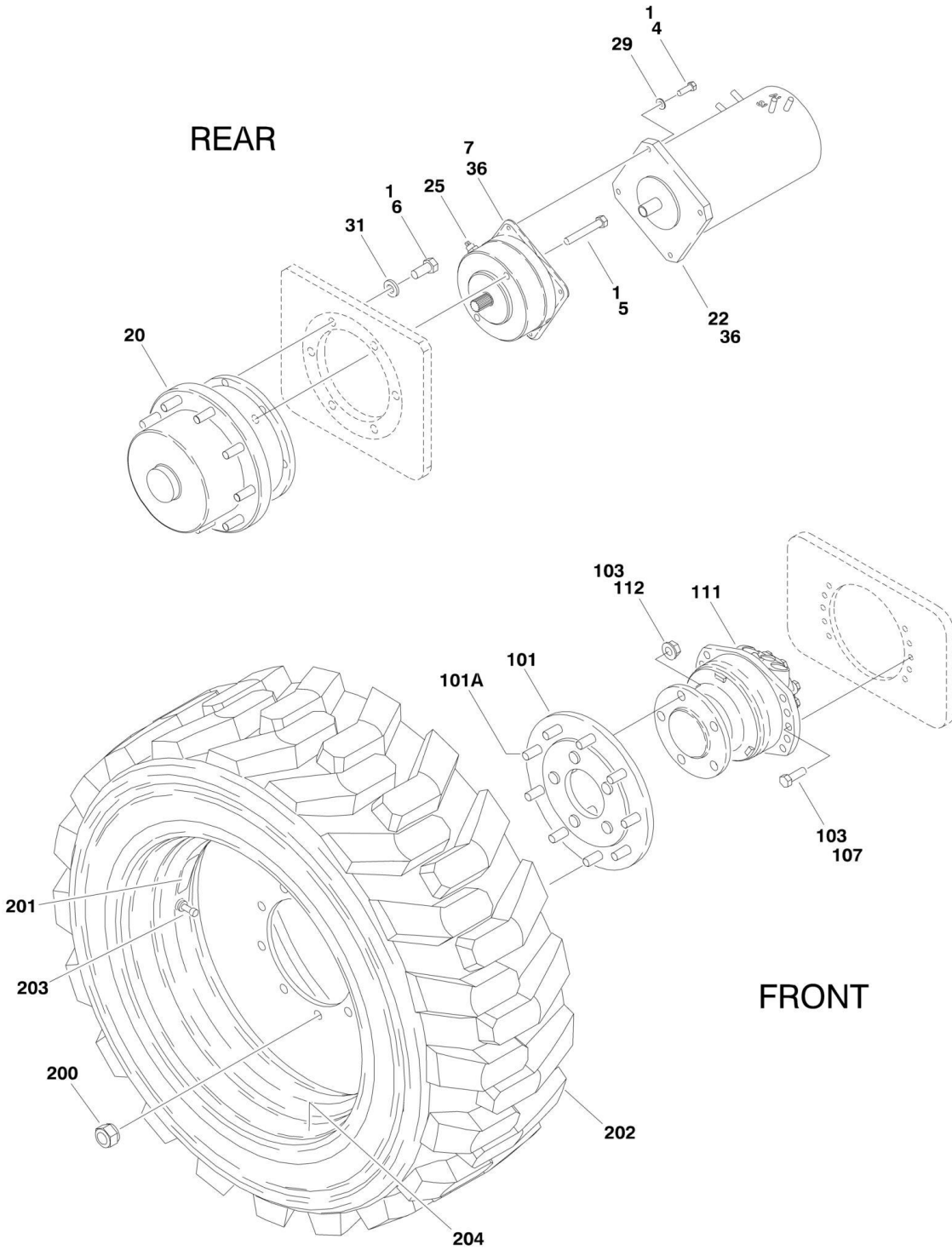
ITEM	PART NUMBER	QTY	DESCRIPTION	REV
	0270004	Ref	FIXED AXLE INSTALLATION	C
1	0100011	AR	Locking, Compound	
2	0362763	2	Bar, Stop	
3	0641610	4	Bolt 3/8in-16NC x 1-1/4in	
4	0641622	2	Bolt 3/8in-16NC x 2-3/4in	
5	0642010	1	Bolt 5/8in-11NC x 1-1/4in	
6	0961950	2	Bushing	
7	3340837	2	Pad, Wear	
8	3422592	1	Pin, Axle Pivot	
9		Ref	Plate, Stop Options:	
9	3570901	2	Plate, Stop (Prior to SN 0300079940)	
9	0362954	2	Plate, Stop (SN 0300079940 through 0300219271)	
10	3841258	1	Keeper, Pin	
11	4070897	4	Shim #18Ga	
12	4070898	2	Shim #11Ga	
13	4070972	1	Shim 3/16in	
14	4070973	2	Shim #11Ga	
15	4070974	2	Shim #16Ga	
16	4711600	6	Flatwasher 3/8in Thin	
17	4740158	1	Thrustwasher	
18	4846139	1	Axle Weldment	
18A	0561371	2	Steer Cylinder Mounting Block Assembly	
	0259941	Ref	OSCILLATING AXLE INSTALLATION	J
101	0100011	AR	Locking, Compound	
102	0641414	4	Bolt 1/4in-20NC x 1-3/4in	
103	0641608	2	Bolt 3/8in-16NC x 1in	
104	0641610	4	Bolt 3/8in-16NC x 1-1/4in	
105	0641614	2	Bolt 3/8in-16NC x 1-3/4in	
106	0641812	2	Bolt 1/2in-13NC x 1-1/2in	
107	0642010	1	Bolt 5/8in-11NC x 1-1/4in	
108	0961950	2	Bushing	
109	1100120	1	Cam, Lockout	
110		Ref	Lockout Cylinder Assembly Options: (See CYLINDER SECTION for Breakdown)	
110	1683931	2	Lockout Cylinder Assembly (Prior to SN 0300062044)	
110	1684071	2	Lockout Cylinder Assembly (SN 0300062044 through 0300064015)	
110	1684129	NLA	Lockout Cylinder Assembly (Use p/n 1684419) (SN 0300064016 through 0300077548)	
110	1684419	2	Lockout Cylinder Assembly (SN 0300077549 through 0300219271)	
111	3311605	2	Locknut 3/8in-16NC	
112	3322202	2	Nut, Jam 3/4in-16NF (Prior to SN 0300064016)	
113	3340837	2	Pad, Wear	
114	3422592	1	Pin, Axle Pivot	
115	3422578	2	Pin (Top)	
116	3422813	2	Pin (Bottom)	
117	3520034	2	Plug, Hole	
118	3841143	4	Keeper, Pin	
119	3841258	1	Keeper, Pin	

SECTION 1 - FRAME

ITEM	PART NUMBER	QTY	DESCRIPTION	REV
120	3841443	2	Rod-End (Prior to SN 0300064016)	
121	4070897	4	Shim #18Ga	
122	4070898	2	Shim #11Ga	
123	4640871	1	Lockout Valve Assembly	
123	7012693	1	Seal Kit - 4640871 Valve	
123	7002840	1	Anti Pin Removal Tool	
124	4711400	4	Flatwasher 1/4in Thin	
125	4711600	6	Flatwasher 3/8in Thin	
126	4740158	1	Thrustwasher	
127	4751800	4	Flatwasher 1/2in Regular	
128	4846139	1	Axle Weldment	
128A	0561371	2	Steer Cylinder Mounting Block Assembly	
129	0100019	AR	Locking, Compound (SN 0300062044 through 0300064015)	
130	3440824	4	Pin, Roll (SN 0300062044 through 0300064015)	
	0259942	Ref	STEERING AND VALVES INSTALLATION	H
202	0100011	AR	Locking, Compound	
204	0440161	AR	Thrustwasher	
205	0641606	3	Bolt 3/8in-16NC x 3/4in	
206	0641607	4	Bolt 3/8in-16NC x 7/8in	
208	0642030	4	Bolt 5/8in-11NC x 3-3/4in	
209	0961948	4	Bushing	
210		Ref	Steer Cylinder Assembly (See CYLINDER SECTION for Breakdown)	
210	1683851	NLA	Steer Cylinder Assembly (Use p/n 1001140281) (Prior to SN 0300165153)	
210	1001140281	1	Steer Cylinder Assembly (SN 0300165153 through 0300219271)	
213	3322202	2	Nut, Jam 3/4in-16NF	
214	3323403	2	Nut, Slotted Castle 1-1/2in-12NF	
215	3422817	4	Pin	
216	3422819	2	Kingpin	
217	3450812	2	Pin, Cotter 1/4in x 3in	
218	3571709	1	Plate, Steer Cylinder Cover (Prior to SN 0300187512)	
219	3841143	4	Keeper, Pin	
220	3841443	2	Rod-End	
222	4892000	4	Flatwasher 5/8in Hardened	
223	4713400	2	Flatwasher 1-1/2in Thin	
224	4740111	4	Thrustwasher	
225	4751600	2	Flatwasher 3/8in (Prior to SN 0300187512)	
226	4846135	2	Spindle	
227	4846141	2	Tie-Rod	
231	0962292	2	Bushing	
239	1001156428	AR	Shim .120 (SN 0300176747 through 0300219271)	
240	1001156429	AR	Shim .060 (SN 0300176747 through 0300219271)	
241	1001156430	AR	Shim .030 (SN 0300176747 through 0300219271)	

SECTION 1 - FRAME

FIGURE 1-3. TIRE AND WHEEL DRIVE INSTALLATIONS



SECTION 1 - FRAME

FIGURE 1-3. TIRE AND WHEEL DRIVE INSTALLATIONS

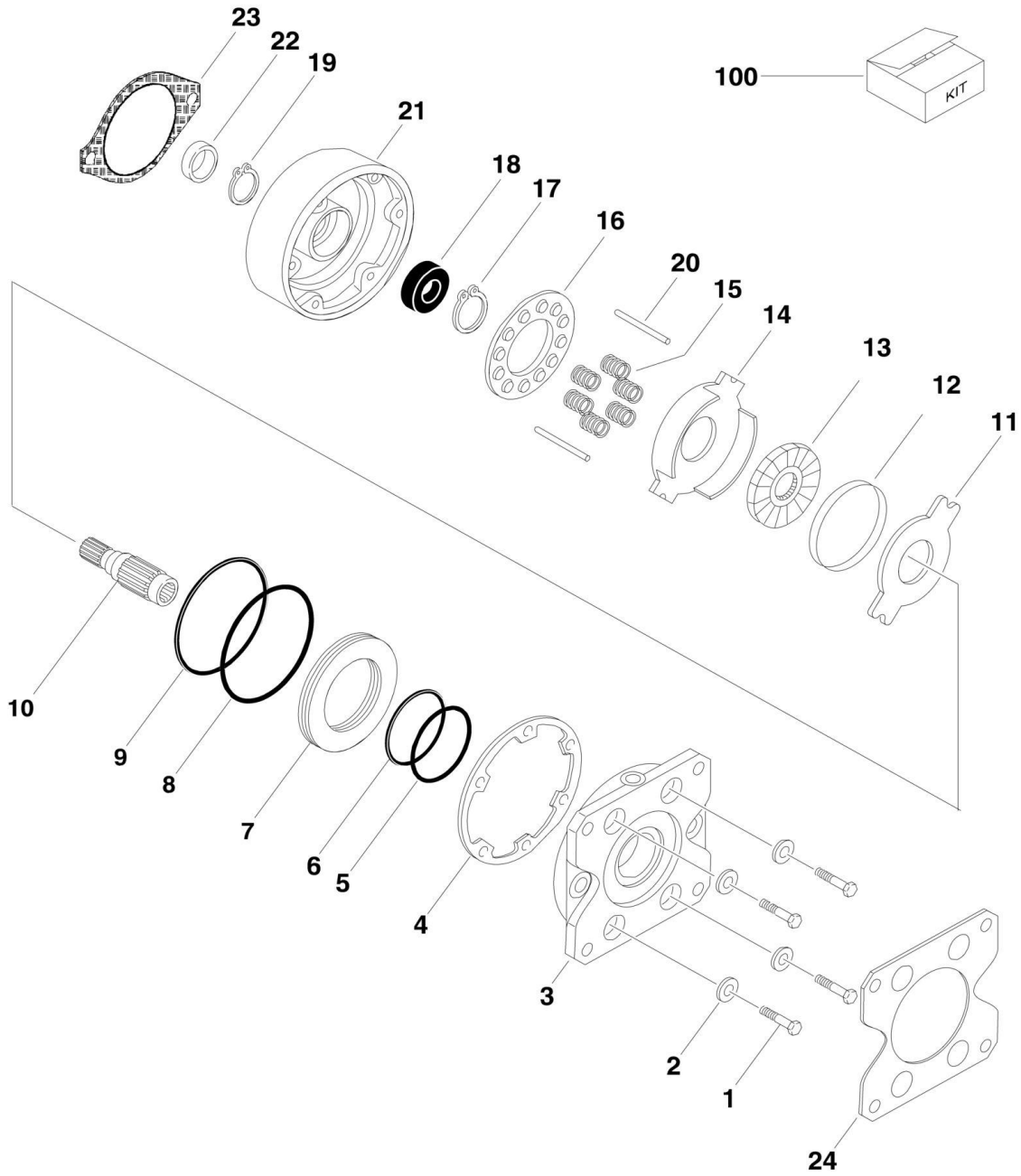
ITEM	PART NUMBER	QTY	DESCRIPTION	REV
		Ref	WHEEL DRIVE INSTALLATION - REAR AXLE (2WD & 4WD)	
	0259741	Ref	ANSI Spec (Prior to SN 0300112387)	E
	0274284	Ref	ANSI Spec (SN 0300112387 through 0300219271)	D
	0270382	Ref	UL Spec (Prior to SN 0300112387)	C
	0274285	Ref	UL Spec (SN 0300112387 through 0300219271)	C
1	0100019	AR	Locking, Compound	
4	0641609	8	Bolt 3/8in-16NC x 1-1/8in	
5	0641826	4	Bolt 1/2in-13NC x 3-1/4in	
6		Ref	Bolt Options:	
6	0682011	12	Bolt 5/8in-11NC x 1-3/8in (Grade 8) (Prior to SN 0300112387)	
6	0682012	12	Bolt 5/8in-11NC x 1-1/2in (Grade 8) (SN 0300112387 through 0300219271)	
7	0920115	2	Drive Brake Assembly (See DRIVE BRAKE ASSEMBLY (REAR) for Breakdown)	
20		Ref	Drive Hub Assembly Options:	
20	2780236	2	Drive Hub Assembly (See DRIVE HUB ASSEMBLY (REAR) for Breakdown) (Prior to SN 0300112387)	
20	2780282	2	Drive Hub Assembly (See DRIVE HUB ASSEMBLY (REAR) for Breakdown) (SN 0300112387 through 0300219271)	
21	3020008	AR	Lubricant, Mobilube HD 80W-90 (Not Shown)	
22	3160240	2	Drive Motor Assembly	
22	7012545	2	Bearing	
22	7012548	AR	Spring, Brush	
22	7012547	AR	Brush	
25	3990107	2	Sensor, Speed	
29	4711600	8	Flatwasher 3/8in Thin	
31	4892000	12	Flatwasher 5/8in Hardened	
35	2901883	1	Drive Cable Kit (See ELECTRICAL SECTION for Breakdown) (Not Shown)	
36	3020037	AR	Lube, Coupling Grease	
	0259942	Ref	WHEEL DRIVE INSTALLATION - FRONT AXLE (4WD ONLY)	G
101	0080233	2	Drive Adapter Assembly	
101A	4300145	28	Stud, Wheel (14 Per Assembly)	
103	0100019	AR	Locking, Compound	
107	0681812	20	Bolt 1/2in-13NC x 3-1/4in (Grade 8)	
111	3160251	2	Drive Motor Assembly (See DRIVE MOTOR ASSEMBLY (4WD FRONT) for Breakdown)	
112	3300426	10	Nut, Flanged 5/8in-18NF	
		Ref	TIRE AND WHEEL INSTALLATIONS	
	0270061	Ref	36/14LL x 22.5 Foam-Filled Non-Marking (Prior to SN 0300069399)	A
	0272694	Ref	36/14LL x 22.5 Foam-Filled Non-Marking (SN 0300069399 through 0300219271)	B
	0270060	Ref	36/14LL x 22.5 Pneumatic Non-Marking (Prior to SN 0300069399)	A
	0272695	Ref	36/14LL x 22.5 Pneumatic Non-Marking (SN 0300069399 through 0300219271)	B
200	3300426	36	Nut, Flanged 5/8in-18NF	
	0270057	2	36/14LL x 22.5 Foam-Filled Non-Marking (Left Side) (Prior to SN 0300069399)	C
	0272693	2	36/14LL x 22.5 Foam-Filled Non-Marking (Left Side) (SN 0300069399 through 0300219271)	D

SECTION 1 - FRAME

ITEM	PART NUMBER	QTY	DESCRIPTION	REV
	0270056	2	36/14LL x 22.5 Foam-Filled Non-Marking (Right Side) (Sold As Assembly Only) (Prior to SN 0300069399)	C
	0272692	2	36/14LL x 22.5 Foam-Filled Non-Marking (Right Side) (Sold As Assembly Only) (SN 0300069399 through 0300219271)	D
		Ref	Note: Assemblies may require ballast/foam filling to manufacturer's specifications prior to installing on a machine. Refer to Operation and Safety or Service and Maintenance Manuals. Purchase individual tire and/or rim only if able to foam fill tire and wheel assembly, otherwise, purchase complete assembly.	
	0270055	2	36/14LL x 22.5 Pneumatic Non-Marking (Left Side) (Prior to SN 0300069399)	C
	0272691	2	36/14LL x 22.5 Pneumatic Non-Marking (Left Side) (SN 0300069399 through 0300219271)	C
	0270054	2	36/14LL x 22.5 Pneumatic Non-Marking (Right Side) (Prior to SN 0300069399)	C
	0272690	2	36/14LL x 22.5 Pneumatic Non-Marking (Right Side) (SN 0300069399 through 0300219271)	C
201	1702698	1	Decal - 55PSI/4BAR (Pneumatic Only)	
202		Ref	Tire, Replacement Options: (36/14LL x 22.5)	
202	4520236	1	Non-Marking Tire (Prior to SN 0300069399)	
202	4520264	1	Non-Marking Tire (SN 0300069399 through 0300219271)	
203	4640113	1	Valve, Air (Pneumatic Only)	
204	4860212	1	Rim, Wheel (11.75 x 22.5)	

SECTION 1 - FRAME

FIGURE 1-4. DRIVE BRAKE ASSEMBLY (REAR)



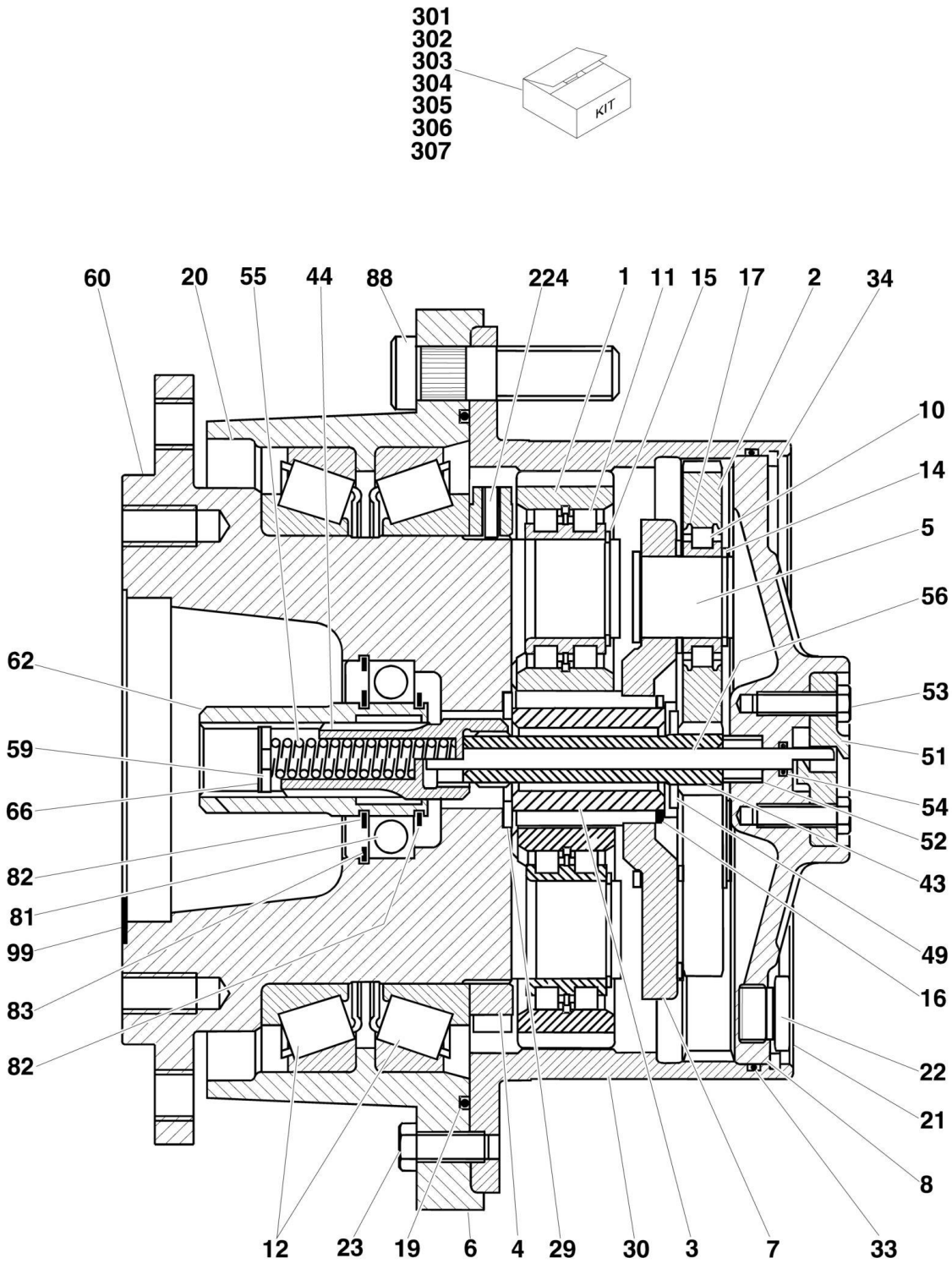
SECTION 1 - FRAME

FIGURE 1-4. DRIVE BRAKE ASSEMBLY (REAR)

ITEM	PART NUMBER	QTY	DESCRIPTION	REV
	0920115	Ref	DRIVE BRAKE ASSEMBLY	C
1	See Note	NSS	Bolt (Note: Not Available - Purchase Locally)	
2	See Note	NSS	Flatwasher (Note: Not Available - Purchase Locally)	
3	See Note	NSS	Plate, Pressure (Note: Use p/n 0920115)	
4	See Note	NSS	Seal, Case (Note: Use Item 100)	
5	See Note	NSS	O-Ring (Note: Use Item 100)	
6	See Note	NSS	Ring, Back-up (Note: Use Item 100)	
7	See Note	NSS	Piston (Note: Use p/n 0920115)	
8	See Note	NSS	O-Ring (Note: Use Item 100)	
9	See Note	NSS	Ring, Back-up (Note: Use Item 100)	
10	See Note	NSS	Shaft (Note: Use p/n 0920115)	
11	See Note	NSS	Stator (Note: Use Item 100)	
12	See Note	NSS	Ring, Sensor (Note: Not all models use sensor ring) (was p/n 7027275 which is No Longer Available. Use p/n 0920115)	
13	See Note	NSS	Rotor (Note: Use Item 100)	
14	See Note	NSS	Plate, Return (Note: Use Item 100)	
15	See Note	NSS	Spring (Note: Use Item 100)	
16	See Note	NSS	Guide, Spring (Note: Use p/n 0920115)	
17	See Note	NSS	Ring, Retaining (Note: Use p/n 0920115)	
18	See Note	NSS	Bearing (Note: Use Item 100)	
19	See Note	NSS	Ring, Retainer (Note: Not Available - Purchase Locally)	
20	See Note	NSS	Pin, Dowel (Note: Not Available for Purchase)	
21	See Note	NSS	Cover (Note: Use p/n 0920115)	
22	7007900	1	Seal, Oil	
23	7007933	1	Gasket	
24	70002408	1	Gasket	
100	7011757	1	Seal Kit (Includes Items 4, 5, 6, 8, 9, 11, 13, 14, 15, 18, 22 & 23)	

SECTION 1 - FRAME

FIGURE 1-5. DRIVE HUB ASSEMBLY (REAR) (Prior to SN 0300112387)



SECTION 1 - FRAME

FIGURE 1-5. DRIVE HUB ASSEMBLY (REAR) (Prior to SN 0300112387)

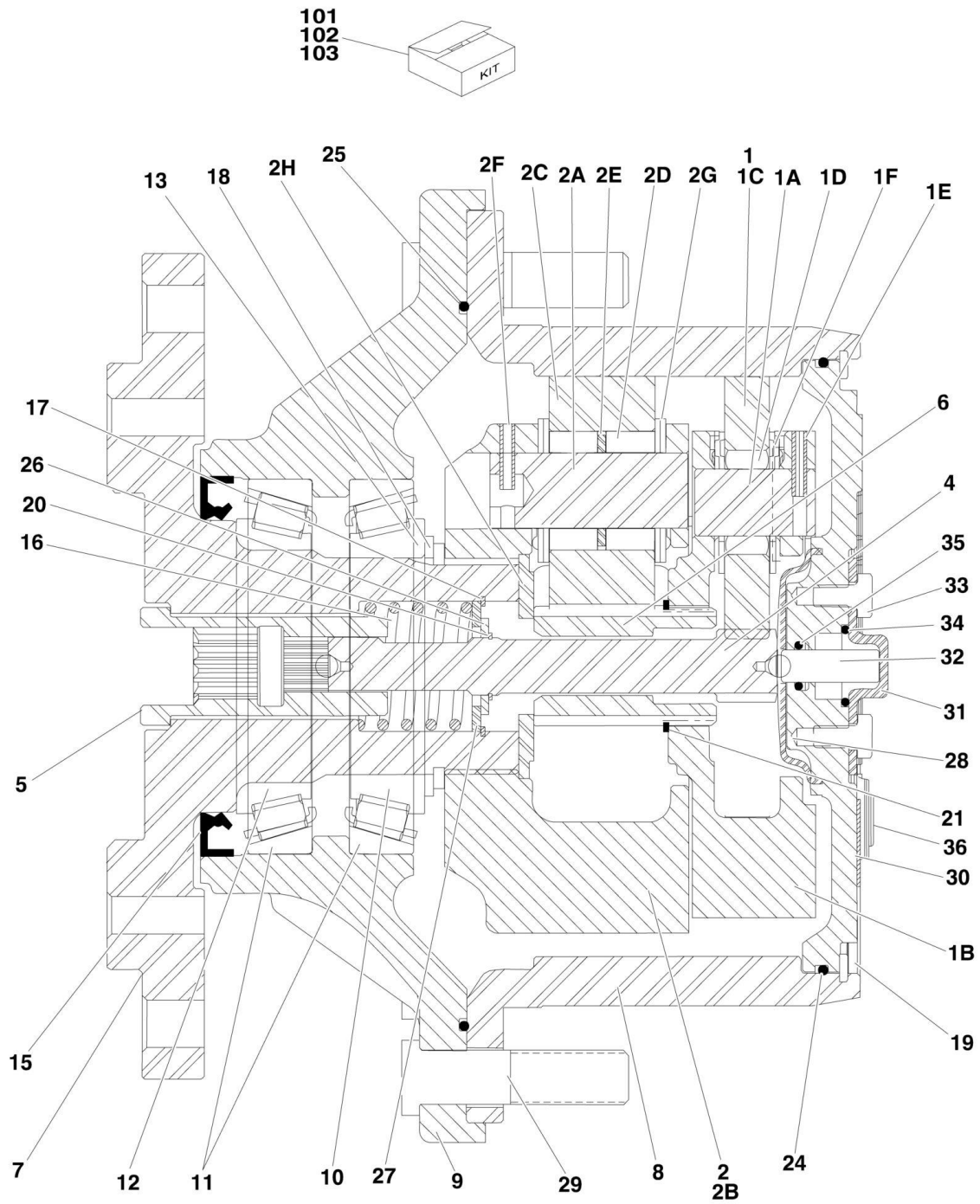
ITEM	PART NUMBER	QTY	DESCRIPTION	REV
	2780236	Ref	DRIVE HUB ASSEMBLY	E
1	7021323	4	Gear, Planet	
2	7021324	3	Gear, Planet	
3	7021325	1	Gear, Sun	
4	7023803	1	Nut, Shaft	
		Ref	Note: Unless there is capability to torque shaft nut (Item 4) to 625 ft/lbs. (850Nm) Repair beyond this level is NOT advised.	
5	7021326	3	Bolt, Planet	
6	7021327	1	Ring, Support	
7	7021328	1	Carrier, Planet	
8	70003711	1	Cover	
10	70003712	3	Bearing, Roller	
11	70003713	4	Bearing, Roller	
12	70003714	2	Bearing, Roller	
14	70003715	3	Ring, Retaining	
15	70003716	4	Ring, Retaining	
16	7021341	1	Ring, Retaining	
17	70003717	3	Disk, Support	
19	See Note	NSS	O-Ring (Note: Use Item 303 or 307)	
20	See Note	NSS	Seal, Ring (Note: Use Item 303 or 307)	
21	See Note	NSS	Plug (Note: Use Item 304 or 307)	
22	See Note	NSS	Seal, Ring (Note: Use Item 304 or 307)	
23	7021342	3	Bolt	
29	7024049	1	Thrustwasher	
30	7021335	1	Gear, Ring	
33	See Note	NSS	O-Ring (Note: Use Item 303, 304 or 307)	
34	70003718	1	Ring, Retaining	
43	7021336	1	Shaft, Sun Gear	
44	7021337	1	Shaft, Input	
49	7024051	1	Thrustwasher	
51	70003719	1	Cover	
52	70003720	1	Disk	
53	70003721	2	Bolt (Note: Use Item 304, 305 or 306)	
54	See Note	NSS	O-Ring (Note: Use Item 304, 305, 306 or 307)	
55	7024053	1	Spring, Pressure	
56	70003722	1	Rod, Shaft (Note: Use Item 305 or 306)	
59	70003723	1	Disk, Rotor	
60	7021339	1	Spindle	
62	7021340	1	Coupler	
66	70003724	1	Ring, Retaining	
81	7024983	1	Bearing, Ball	
82	7021341	2	Ring, Retaining	
83	7024931	1	Ring, Retaining	
88	7021344	9	Stud, Wheel (was p/n 7024984)	
99	7024985	1	Plug	
224		Ref	Component Options:	
224	See Note	NLA	Ball (Note: No Longer Available - Use Item 303 or p/n 70003725) (Prior to SN 0300089408)	
224	See Note	NLA	Expander (Note: No Longer Available - Use Item 303 or p/n 70003725) (Prior to SN 0300089408)	

SECTION 1 - FRAME

ITEM	PART NUMBER	QTY	DESCRIPTION	REV
224	See Note	NLA	Plug (Note: No Longer Available - Use Item 303 or p/n 70003725) (Prior to SN 0300089408)	
224	70003725	2	Pin, Slotted (SN 0300089408 through 0300219271)	
		Ref	Kit Options:	
301	7024981	1	Planet Gear Kit 1 (Includes Items 1, 11 & 15)	
302	7024986	1	Planet Gear Kit 2 (Includes Items 2, 10,14 & 17)	
303	7024047	1	Bearing Kit (Includes Items 4, 12, 19, 20, 23, 33 & 224)	
		Ref	Note: Unless there is capability to torque shaft nut (Item 4) to 625 ft/lbs. (850Nm) Repair beyond this level is NOT advised.	
304	7021329	1	Cover Kit (Includes Items 8, 21, 22, 33, 34 & 51-54)	
305	7021338	1	Mechanical Disconnect Kit 1 (Includes Items 54-56, 59 & 66)	
306	7024054	1	Mechanical Disconnect Kit 2 (Includes Items 51, 53, 54 & 56)	
307	7021333	1	Seal Kit (Includes Items 19-22, 33 & 54)	

SECTION 1 - FRAME

FIGURE 1-6. DRIVE HUB ASSEMBLY (REAR) (SN 0300112387 through 0300219271)



SECTION 1 - FRAME

FIGURE 1-6. DRIVE HUB ASSEMBLY (REAR) (SN 0300112387 through 0300219271)

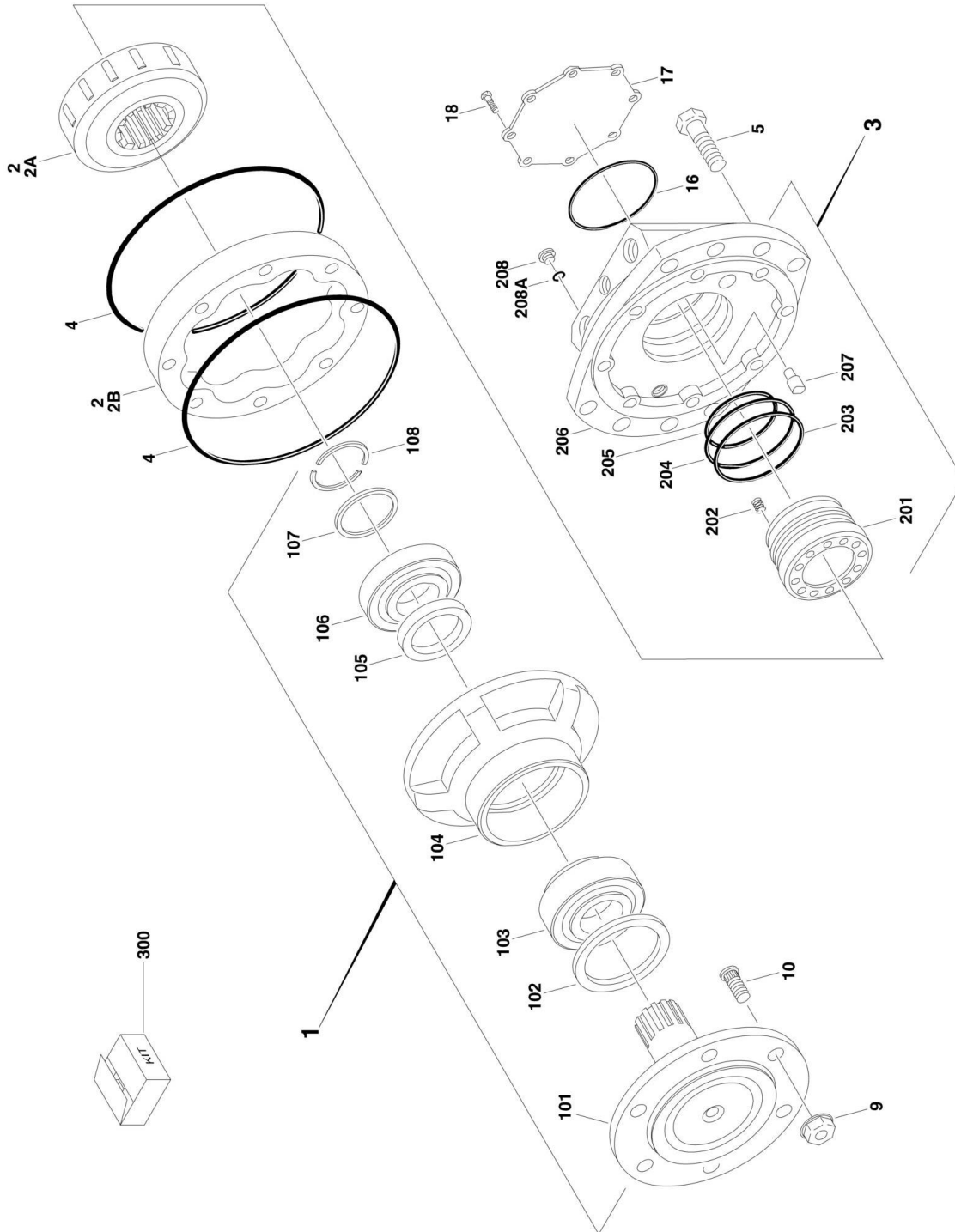
ITEM	PART NUMBER	QTY	DESCRIPTION	REV
	2780282	Ref	DRIVE HUB ASSEMBLY	B
1	70001366	1	Carrier, Sub Assembly	
1A	See Note	NSS	Shaft, Planet (Note: Use Item 1)	
1B	See Note	NSS	Carrier (Note: Use Item 1)	
1C	See Note	NSS	Gear, Planet (Note: Use Item 1)	
1D	See Note	NSS	Bearing, Needle (Note: Use Item 1)	
1E	See Note	NSS	Pin, Roll (Note: Use Item 1)	
1F	See Note	NSS	Thrustwasher (Note: Use Item 1)	
2	70001367	1	Carrier, Input	
2A	See Note	NSS	Shaft, Planet (Note: Use Item 2)	
2B	See Note	NSS	Carrier (Note: Use Item 2)	
2C	See Note	NSS	Gear, Planet (Note: Use Item 2)	
2D	See Note	NSS	Bearing, Needle (Note: Use Item 2)	
2E	See Note	NSS	Spacer, Thrust (Note: Use Item 2)	
2F	See Note	NSS	Pin, Roll (Note: Use Item 2)	
2G	See Note	NSS	Thrustwasher (Note: Use Item 2)	
2H	See Note	NSS	Thrustwasher (Note: Use Item 2)	
4	70001369	1	Shaft, Input	
5	70001370	1	Coupling	
6	70001371	1	Shaft, Sun Gear	
7	70001372	1	Spindle	
8	70001373	1	Gear, Ring	
9	2780282	1	Housing (Note: Not Available for Purchase)	
10	See Note	NSS	Bearing, Tapered-Cone (Note: Use Item 101)	
11	See Note	NSS	Bearing, Tapered-Cup (Note: Use Item 101)	
12	See Note	NSS	Bearing, Tapered-Cone (Note: Use Item 101)	
13	7017009	1	Thrustwasher	
15	See Note	NSS	Seal, Lip (Note: Use Item 102)	
16	70001374	1	Spring	
17	70001375	1	Ring, Retaining (Internal)	
18	See Note	NSS	Ring, Retaining (External) (Note: Use Item 102)	
19	7024738	1	Ring, Retaining (Internal)	
20	70001376	1	Ring, Retaining (External)	
21	70001377	1	Ring, Retaining (External)	
22	7000281	4	Screw (Not Shown - ID plate screws)	
23	7017022	3	Bolt, Flathead (Not Shown - Located on front of hub)	
24	See Note	NSS	O-Ring (Note: Use Item 102)	
25	See Note	NSS	O-Ring (Note: Use Item 102)	
26	70001378	1	Spacer, Thrust	
27	70001379	1	Thrustwasher	
28	7024741	1	Spacer, Thrust	
29	7007640	9	Stud, Wheel	
30	See Note	NSS	Flange, Plate/Cover (Note: Use Item 103)	
31	See Note	NSS	Cap, Disengage (Note: Use Item 103)	
32	See Note	NSS	Pin, Dowel (Note: Use Item 103)	
33	See Note	NSS	Bolt (Note: Use Item 103)	
34	See Note	NSS	O-Ring (Note: Use Item 103)	
35	See Note	NSS	O-Ring (Note: Use Item 103)	
36	See Note	NSS	Plug (Note: Use Item 103)	
		Ref	Kit Options:	

SECTION 1 - FRAME

ITEM	PART NUMBER	QTY	DESCRIPTION	REV
101	7017007	1	Planet Gear Kit 1 (Includes Items 10-12)	
102	70001380	1	Planet Gear Kit 2 (Includes Items 15, 18, 24 & 25)	
103	70001368	1	Bearing Kit (Includes Items 30-36)	

SECTION 1 - FRAME

FIGURE 1-7. DRIVE MOTOR ASSEMBLY (4WD FRONT)



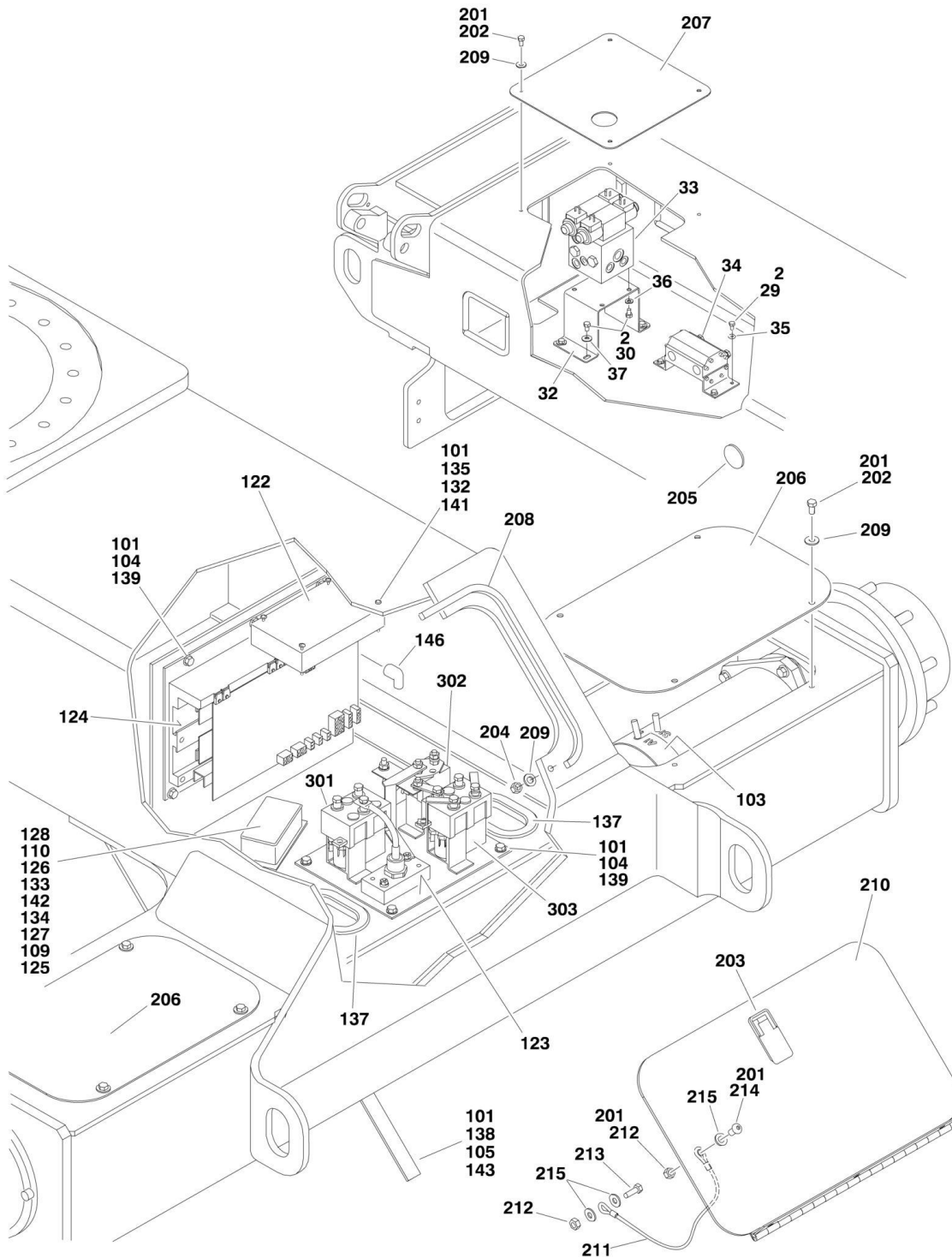
SECTION 1 - FRAME

FIGURE 1-7. DRIVE MOTOR ASSEMBLY (4WD FRONT)

ITEM	PART NUMBER	QTY	DESCRIPTION	REV
	3160251	Ref	DRIVE MOTOR ASSEMBLY	B
1	See Note	NSS	Housing Assembly (Front) (Note: Not Available - Use p/n 3160251 for complete replacement. See 101-108 for available components)	
2	7023866	1	Rotary Group Assembly	
2A	7023869	1	Rotary Group HD without Cam	
2B	7023870	1	Cam	
3	See Note	NSS	Housing Assembly (Rear) (Note: Not Available - Use p/n 3160251 for complete replacement. See 201-208A for available components)	
4	See Note	NSS	Seal, Square (Note: Use Item 300)	
5	7023867	6	Screw, Cap	
9	7023806	5	Lugnut	
10	7023807	5	Stud	
16	See Note	NSS	Seal, Square (Note: Use Item 300)	
17	7024007	1	Plate, Rear Cover	
18	7023868	8	Screw, Cap	
		Ref	HOUSING ASSEMBLY (FRONT)	
101	7022586	1	Shaft	
102	See Note	NSS	Seal, Face (Note: Use Item 300)	
103	7022587	1	Bearing, Front	
104	See Note	NSS	Casting, Front (Note: Use p/n 3160251)	
105	See Note	NSS	Seal, Shaft (Note: Use Item 300)	
106	7022588	1	Bearing, Rear	
107		Ref	Washer Options:	
107	See Note	NSS	Washer (1.50mm) (Note: Not Available for Purchase)	
107	See Note	NSS	Washer (1.65mm) (Note: Not Available for Purchase)	
107	See Note	NSS	Washer (1.85mm) (Note: Not Available for Purchase)	
107	See Note	NSS	Washer (2.00mm) (Note: Not Available for Purchase)	
107	See Note	NSS	Washer (2.15mm) (Note: Not Available for Purchase)	
107	See Note	NSS	Washer (2.35mm) (Note: Not Available for Purchase)	
108	7022589	1	Ring, Split	
		Ref	HOUSING ASSEMBLY (REAR)	
201	7023871	1	Ring, Distributor	
202	7023872	9	Spring	
203	See Note	NSS	Seal (Note: Use Item 300)	
204	See Note	NSS	Seal (Note: Use Item 300)	
205	See Note	NSS	Seal (Note: Use Item 300)	
206	See Note	NSS	Housing, Rear (Note: Use p/n 3160251)	
207	See Note	NSS	Pin, Stop (Note: Not Available for Purchase)	
208	7022591	1	Plug	
208A	See Note	NSS	O-Ring (Note: Not Available - Purchase Locally)	
		Ref	KIT OPTIONS:	
300	7023801	1	Seal Kit (Includes Items 4, 16, 102, 105 & 203-205)	

SECTION 1 - FRAME

FIGURE 1-8. VALVES, ELECTRICAL COMPONENTS AND SHIELDS INSTALLATIONS



SECTION 1 - FRAME

FIGURE 1-8. VALVES, ELECTRICAL COMPONENTS AND SHIELDS INSTALLATIONS

ITEM	PART NUMBER	QTY	DESCRIPTION	REV
	0259942	Ref	4WD VALVES INSTALLATIONS	G
		Ref	Note: See AXLE AND STEER INSTALLATION - 2WD AND AXLE AND STEER INSTALLATION - 4WD for Oscillating Axle Lockout Valve.	
2	0100011	AR	Locking, Compound	
29	0641404	4	Bolt 1/4in-20NC x 1/2in	
30	0641504	8	Bolt 5/16in-18NC x 1/2in	
32	3572328	1	Plate, Mounting	
33		Ref	Valve Assembly - Drive (See DRIVE VALVE ASSEMBLY (4WD ONLY) for Breakdown)	
33	4641127	NLA	Valve Assembly (Use p/n 1001092586) (Prior to SN 0300102660)	
33	1001092586	1	Valve Assembly (SN 0300102660 through 0300219271)	
34	4641148	1	Flow Divider Assembly	
34	See Note	NSS	Seal Kit - 4641148 Valve (Note: Not Available for Purchase)	
35	4711400	4	Flatwasher 1/4in Thin	
36	4711500	4	Flatwasher 5/16in Thin	
37	4751500	4	Flatwasher 5/16in Regular	
38	4922323	1	Harness, 4WD (Not Shown - See ELECTRICAL SECTION for Breakdown)	
		Ref	ELECTRICAL COMPONENTS INSTALLATION	
	0259741	Ref	ANSI Spec (Prior to SN 0300112387)	E
	0274284	Ref	ANSI Spec (SN 0300112387 through 0300219271)	D
	0270382	Ref	UL Spec (Prior to SN 0300112387)	C
	0274285	Ref	UL Spec (SN 0300112387 through 0300219271)	C
101	0100011	AR	Locking, Compound	
103	0340047	2	Band, Motor (UL Spec Only)	
104	0641506	10	Bolt 5/16in-18NC x 3/4in	
105	0641604	1	Bolt 3/8in-16NC x 1/2in	
109	0721005	4	Screw (UL Spec Only)	
110	0861375	1	Cover, Box (UL Spec Only)	
122	1600293	1	Module, Positrac/Tilt (Note: Re-calibration Required when Replaced)	
123		Ref	Contactor Panel Assembly Options: (See Items 301-303 for Breakdown)	
123	1600294	1	ANSI Spec	
123	1600300	1	UL Spec	
124	1600302	1	Controller, Power Module	
125	1704712	1	Decal - 300Amp Fuse (UL Spec Only)	
126	2400044	1	Block, Fuse Mounting (UL Spec Only)	
127	2400062	1	Fuse, 300Amp (UL Spec Only)	
128	2540037	2	Grommet, Fuse Box (UL Spec Only)	
132	3310601	4	Nut 5/16in-18NC	
133	3311001	2	Nut #10-24NC (UL Spec Only)	
134	3311501	2	Nut 5/16in-18NC (UL Spec Only)	
135	3910636	4	Bolt #6-32NCx 2-1/4in	
137	4060808	15 in /37cm	Flex-Trim (ANSI Spec)	
137	4060807	15 in /37cm	Flex-Trim (UL Spec)	
138	4240084	1	Strap, Static	
139	4711500	10	Flatwasher 5/16in Thin	

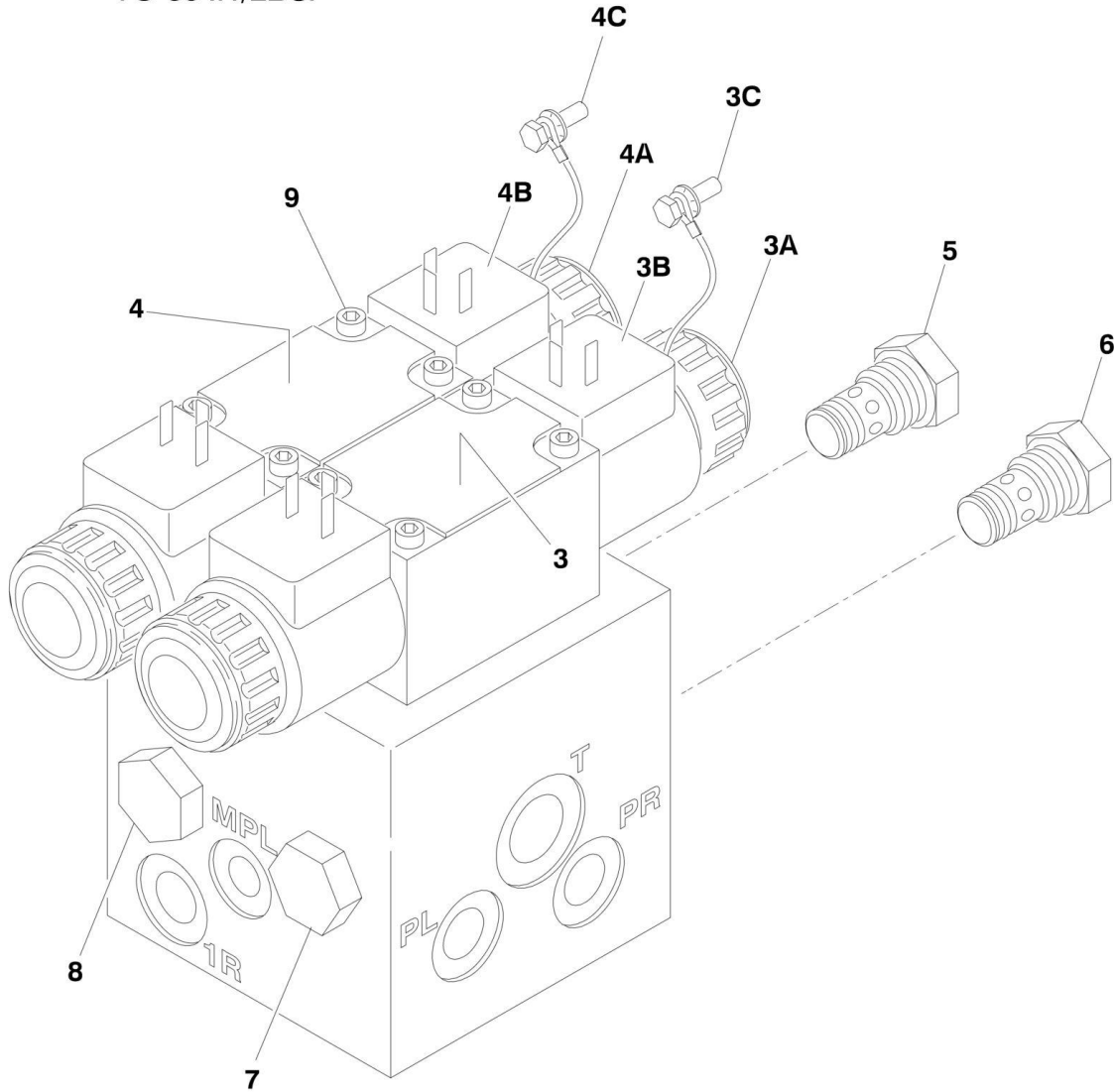
SECTION 1 - FRAME

ITEM	PART NUMBER	QTY	DESCRIPTION	REV
141	4750600	4	Flatwasher #6 Regular	
142	4751000	6	Flatwasher #10 Regular (UL Spec Only)	
143	4751600	1	Flatwasher 3/8in Regular	
146	0840041	1	Boot, Battery Cable (UL Spec Only)	
	0259836	Ref	FRAME SHIELDS INSTALLATION	F
201	0100011	AR	Locking, Compound	
202	0641505	12	Bolt 5/16in-18NC x 5/8in	
203	2940042	1	Latch	
204	3311501	3	Nut 5/16in-18NC	
205	3520064	2	Plug	
206	3571797	2	Cover, Axle	
207	3572055	1	Cover, Front Frame	
208	3960447	4 ft/1.2m	Seal, Self-Gripping	
209	4751500	15	Flatwasher 5/16in Regular	
210	4846161	1	Door Weldment	
211	1060799	1	Cable, Lanyard	
212	3311601	2	Nut 3/8in-16NC	
213	0641608	1	Bolt 3/8in-16NC x 1in	
214	3900283	1	Screw, Button Head 1/4in x 3/4in	
215	4711400	3	Flatwasher 1/4in Thin	
		Ref	CONTACTOR PLATE ASSEMBLY	
	1600294	Ref	ANSI Spec	E
	1600300	Ref	UL Spec	B
		Ref	Note: Torque Bolts to 80in lbs replacing components.	
		Ref	Contactator Harness Options: (See ELECTRICAL SECTION for Breakdown)	
	7022003	1	ANSI Spec	
	7022008	1	UL Spec	
		Ref	Posi -Track Contactator Harness Options: (See ELECTRICAL SECTION for Breakdown)	
	7022004	1	ANSI Spec	
	Not Required	0	UL Spec	
	7022005	1	Harness, Shunt (See ELECTRICAL SECTION for Breakdown)	
301		Ref	Contactator Options: (Fwd/Rev)	
301	7022002	1	ANSI Spec	
301	7022007	1	UL Spec	
302		Ref	Contactator Options: (Main)	
302	7022001	1	ANSI Spec	
302	7022009	1	UL Spec	
303		Ref	Contactator Options: (Posi-Track)	
303	7022000	1	ANSI Spec	
303	7022010	1	UL Spec	

SECTION 1 - FRAME

FIGURE 1-9. DRIVE VALVE ASSEMBLY (4WD ONLY)

NOTE: TORQUE ITEM #9
TO 60 IN/LBS.



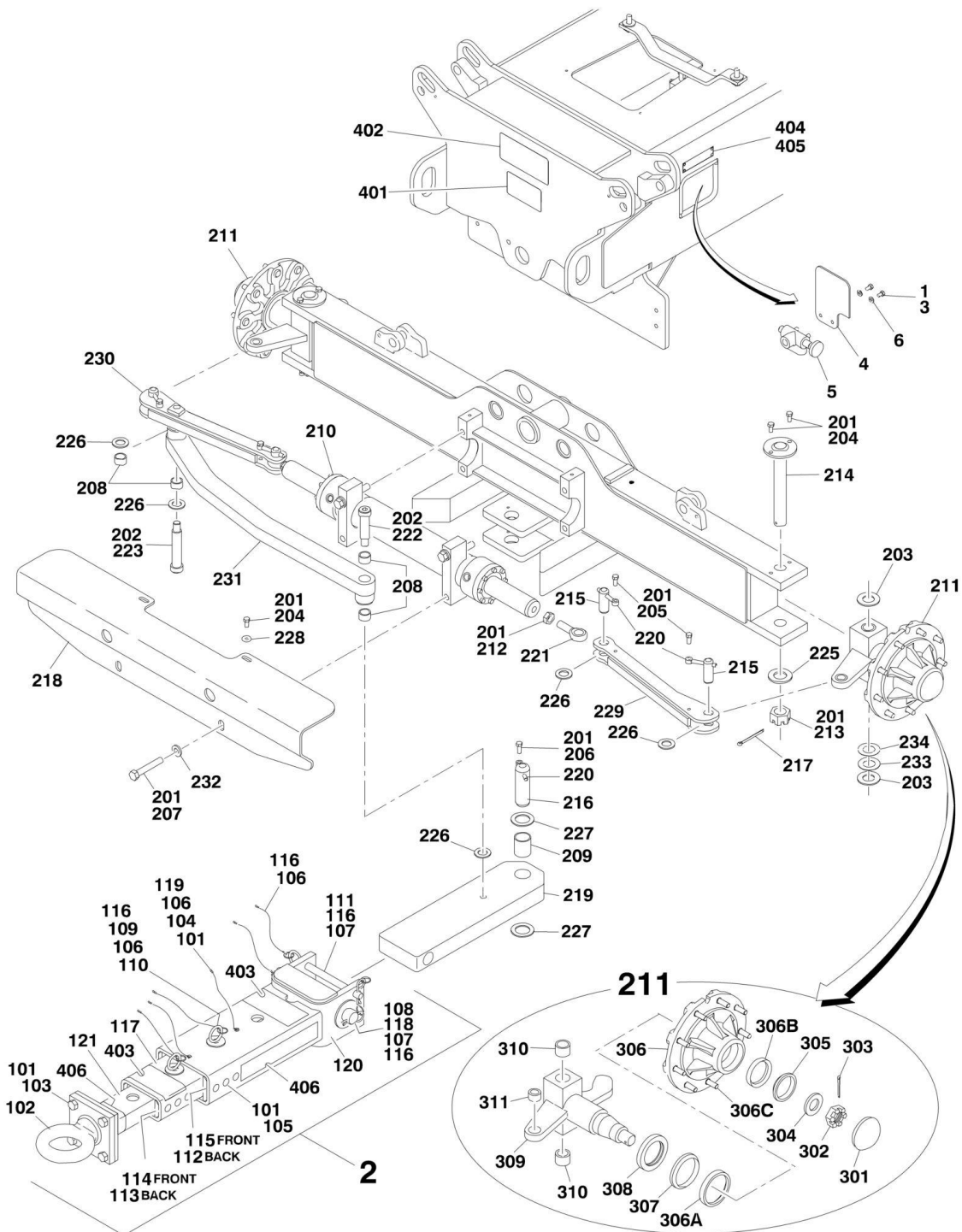
SECTION 1 - FRAME

FIGURE 1-9. DRIVE VALVE ASSEMBLY (4WD ONLY)

ITEM	PART NUMBER	QTY	DESCRIPTION	REV
		Ref	DRIVE VALVE ASSEMBLY	
	4641127	Ref	Drive Valve Assembly (Prior to SN 0300102660)	D
	1001092586	Ref	Drive Valve Assembly (SN 0300102660 through 0300219271)	A
3		Ref	Control Valve Assembly Options:	
3	7024011	1	4641127 Valve	
3	70001422	1	1001092586 Valve	
3	7012773	1	Seal Kit - 4641127 & 1001092586 Valve	
3A	7021375	2	Nut	
3B		Ref	Coil Options:	
3B	7024013	2	4641127 Valve	
3B	70002947	2	1001092586 Valve	
3C	7012799	1	Lanyard (4641127 Valve) (Prior to SN 0300058444)	
4		Ref	Control Valve Assembly Options:	
4	7024011	1	4641127 Valve	
4	70001422	1	1001092586 Valve	
4	7012773	1	Seal Kit - 4641127 & 1001092586 Valve	
4A	7021375	2	Nut	
4B		Ref	Coil Options:	
4B	7024013	2	4641127 Valve	
4B	70002947	2	1001092586 Valve	
4C	7012799	1	Lanyard (4641127 Valve) (Prior to SN 0300058444)	
5	7012969	1	Cartridge, Check	
5	7012540	1	Seal Kit - 7012969 Valve	
6	7012969	1	Cartridge, Check	
6	7012540	1	Seal Kit - 7012969 Valve	
7	7012969	1	Cartridge, Check	
7	7012540	1	Seal Kit - 7012969 Valve	
8	7012969	1	Cartridge, Check	
8	7012540	1	Seal Kit - 7012969 Valve	
9	7018942	8	Capscrew #10-24NC x 2in	

SECTION 1 - FRAME

FIGURE 1-10. TOW PACKAGE INSTALLATION



SECTION 1 - FRAME

FIGURE 1-10. TOW PACKAGE INSTALLATION

ITEM	PART NUMBER	QTY	DESCRIPTION	REV
	0270527	Ref	TOW PACKAGE INSTALLATION	A
1	0100011	AR	Locking, Compound	
2	0270528	1	Tow Bar Assembly (See Items 101-121 for Breakdown)	
3	0641504	2	Bolt 5/16in-18NC x 1/2in	
4	3572506	1	Plate, Valve Mounting	
5	4640261	1	Valve, Tow	
6	4711500	2	Flatwasher 5/16in Thin	
	0270528	Ref	TOW BAR ASSEMBLY	A
101	0100011	AR	Locking, Compound	
102	0362910	1	Pintle, Draw Eye	
103	0642010	4	Bolt 5/8in-11NC x 1-1/4in	
104	0721004	2	Screw, Hex Machine	
105	0741607	24	Screw, Countersunk 3/8in-16NC x 7/8in	
106	1060584	6	Cable, Lanyard	
107	3420372	2	Pin, Cotter	
108	3420447	1	Pin, Towing	
109	3421565	2	Pin, Snap	
110	3422841	2	Pin	
111	3422847	1	Pin	
112	3572009	2	Plate, Slide Stop	
113	3572010	2	Plate, Slide Stop	
114	3572011	2	Plate, Slide Stop	
115	3572012	2	Plate, Slide Stop	
116	3760170	8	Ring, Split	
117	4568133	1	Tube, Tow Bar	
118	4740036	1	Flatwasher, Special	
119	4751000	2	Flatwasher #10 Regular	
120	4846295	1	Tow Bar Attach Weldment	
121	4846296	1	Pintle Attach Weldment	
	0270526	Ref	STEERING WITH TOW PACKAGE INSTALLATION (2WD)	E
201	0100011	AR	Locking, Compound	
202	0100019	AR	Locking, Compound	
203	0440162	AR	Thrustwasher	
204	0641606	3	Bolt 3/8in-16NC x 3/4in	
205	0641607	4	Bolt 3/8in-16NC x 7/8in	
206	0641608	1	Bolt 3/8in-16NC x 1in	
207	0642030	4	Bolt 5/8in-11NC x 3-3/4in	
208	0962292	4	Bushing	
209	0962348	1	Bushing	
210		Ref	Steer Cylinder Assembly (See CYLINDER SECTION for Breakdown)	
210	1683851	NLA	Steer Cylinder Assembly (Use p/n 1001140281) (Prior to SN 0300165153)	
210	1001140281	1	Steer Cylinder Assembly (SN 0300165153 through 0300219271)	
211	2780245	2	Hub/Spindle Assembly (See 301 to 311 for Breakdown)	
212	3322202	2	Nut, Jam 3/4in-16NF	
213	3323003	2	Nut 1-1/4in-12NF	
214	3422692	2	Kingpin	
215	3422817	4	Pin	

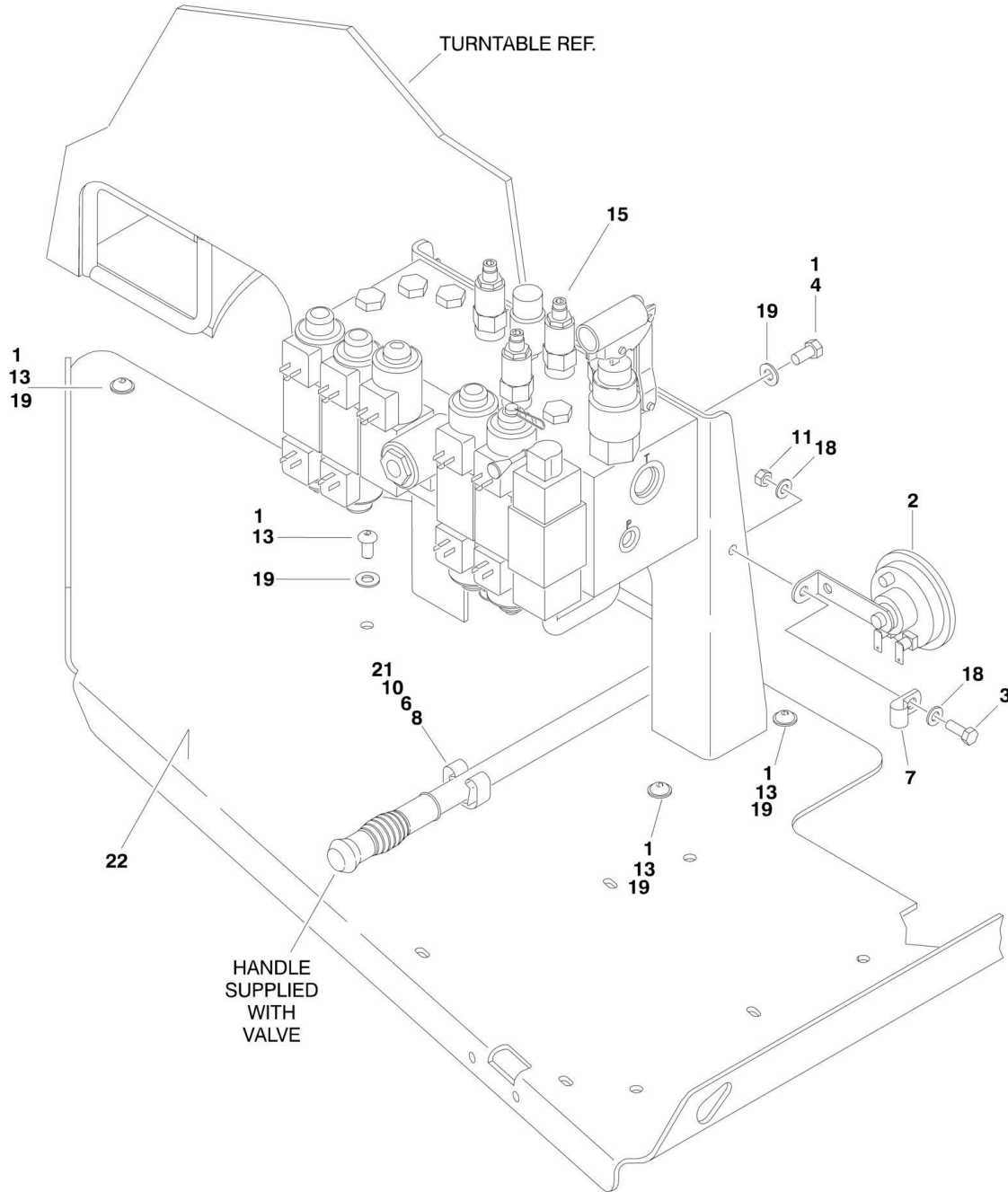
SECTION 1 - FRAME

ITEM	PART NUMBER	QTY	DESCRIPTION	REV
216	3422848	1	Pin, Hitch	
217	3450812	2	Pin, Cotter 1/4in x 3in	
218	3571709	1	Plate, Steer Cylinder Cover (Prior to SN 0300187512)	
219	3572490	1	Plate, Tow Bar Pivot	
220	3841143	5	Keeper, Pin	
221	3841443	2	Rod-End	
222	3900295	1	Bolt, Shoulder 1in x 3in	
223	3900296	1	Bolt, Shoulder 1in x 4-1/2in	
225	4713000	2	Flatwasher 1-1/4in Thin	
226	4740111	9	Thrustwasher	
227	4740155	2	Thrustwasher	
228	4751600	2	Flatwasher 3/8in Regular (Prior to SN 0300187512)	
229	4846076	1	Tie-Rod (Left Side)	
230	4846294	1	Tie-Rod (Right Side)	
231	4846294	1	Link, Tow Bar	
232	4892000	4	Flatwasher 5/8in Hardened	
233	1001151395	AR	Shim .048 (SN 0300176747 through 0300219271)	
234	1001151428	AR	Shim .036 (SN 0300176747 through 0300219271)	
	2780245	Ref	HUB ASSEMBLY	C
301	7020137	2	Cap, Dust (1 Per Assembly)	
302	7020054	2	Nut, Castle (1 per Assembly)	
303	7020140	2	Pin, Cotter (1 per Assembly)	
304	7020055	2	Washer, Spindle (1 Per Assembly)	
305	7020039	2	Cone, Bearing - Outer (1 per Assembly)	
306	7020035	2	Hub (1 Per Assembly)	
306A	7020036	2	Cup, Bearing - Inner(1 per Assembly)	
306B	7020038	2	Cup, Bearing - Outer (1 per Assembly)	
306C	7020041	18	Stud, Wheel (9 Per Assembly)	
307	7020037	2	Cone, Bearing - Inner (1 per Assembly)	
308	7020040	2	Seal (1 Per Assembly)	
309	7020251	2	Spindle Assembly (1 Per Assembly)	
310	0961951	4	Bushing (2 Per Assembly)	
311	0962292	2	Bearing (1 Per Assembly)	
		Ref	TOW DECALS INSTALLATION	
	0270629	Ref	English Language	A
	0270631	Ref	English/Spanish Combination	A
401		Ref	Decal - Warning Options:	
401	1703450	1	English Language	
401	1704576	1	English/Spanish Combination	
402		Ref	Decal - Tow Instructions Options:	
402	1704482	1	English Language	
402	1704457	1	English/Spanish Combination	
403		Ref	Decal - Crushing Options:	
403	1704578	3	English Language	
403	1704577	3	English/Spanish Combination	
404		Ref	Nameplate - Steer/Tow Select Options:	
404	3250872	1	English Language	
404	3252693	1	English/Spanish Combination	
405	3820001	4	Rivet	
406	4420051	35 in /89cm	Tape, Safety	

SECTION 2 - TURNTABLE

SECTION 2 - TURNTABLE

FIGURE 2-1. VALVE AND HORN INSTALLATIONS



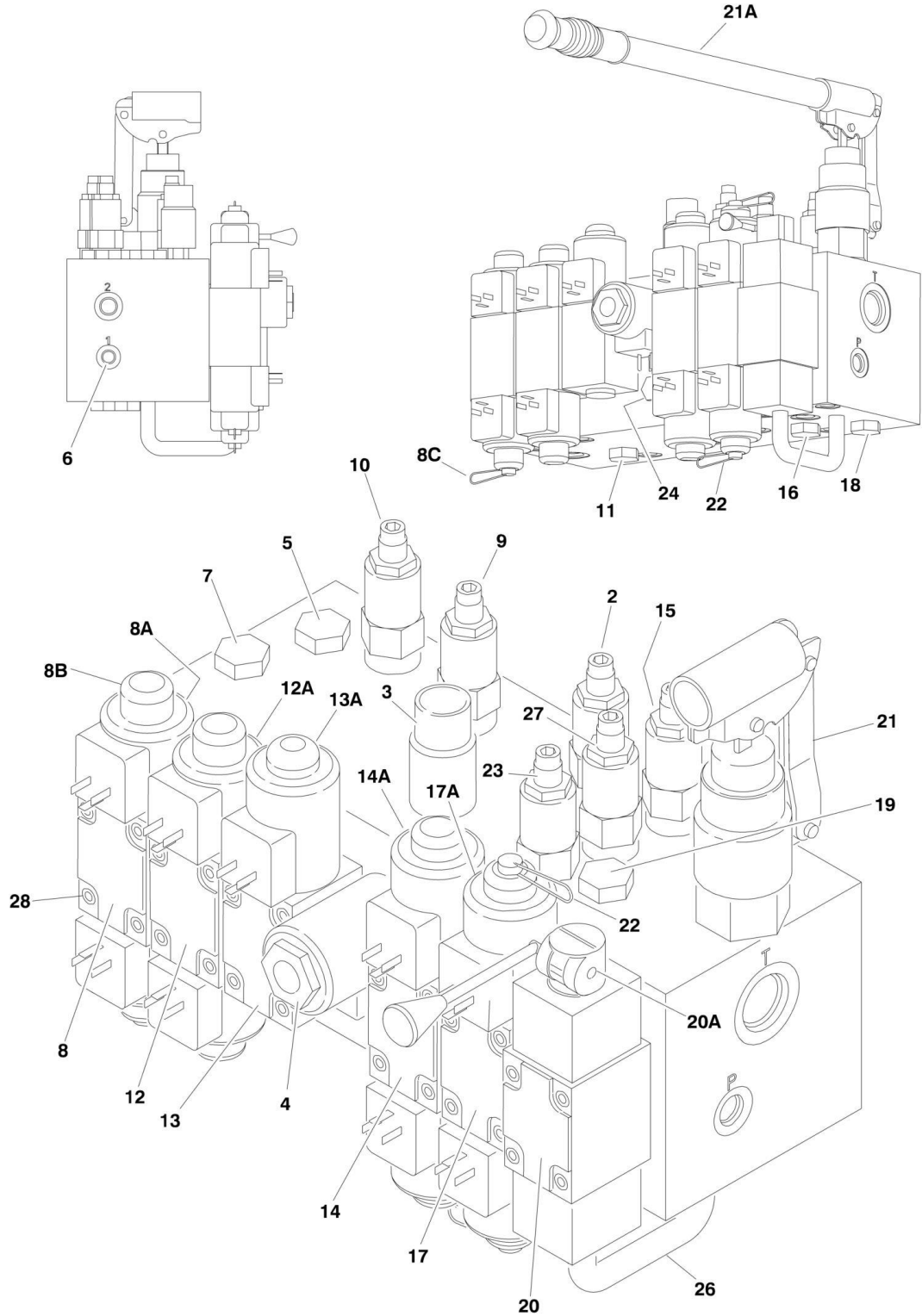
SECTION 2 - TURNTABLE

FIGURE 2-1. VALVE AND HORN INSTALLATIONS

ITEM	PART NUMBER	QTY	DESCRIPTION	REV
		Ref	VALVE AND HORN INSTALLATIONS	
	0270096	Ref	Valve and Horn Installations E600 & M600	H
	0270097	Ref	Valve and Horn Installations E600J & M600J	H
	0270098	Ref	Valve and Horn Installations E600JP & M600JP	H
1	0100011	AR	Locking, Compound	
2	0140028	1	Horn	
3	0641507	1	Bolt 5/16in-18NC x 7/8in	
4	0641606	6	Bolt 3/8in-16NC x 3/4in	
6	0741005	2	Bolt #10-24NC x 5/8in	
7	1320070	1	Clamp (Prior to SN 0300196439)	
8	1380136	2	Clip	
10	3311005	2	Locknut #10-24NC	
11	3311505	1	Locknut 5/16in-18NC	
13	3900283	7	Screw, Button Head	
15	4641123	NLA	Main Control Valve Assembly (Use p/n 1001092566) (See MAIN CONTROL VALVE ASSEMBLY for Breakdown) (Prior to SN 0300065648)	
15	4641235	NLA	Main Control Valve Assembly (Use p/n 1001092566) (See MAIN CONTROL VALVE ASSEMBLY for Breakdown) (SN 0300065648 through 0300102659)	
15	1001092566	1	Main Control Valve Assembly (See MAIN CONTROL VALVE ASSEMBLY for Breakdown) (SN 0300102660 through 0300219271)	
18	4711500	8	Flatwasher 5/16in Thin	
19	4711600	13	Flatwasher 3/8in Thin	
21	4751000	4	Flatwasher #10 Regular	
22	4846183	1	Tray Weldment	

SECTION 2 - TURNTABLE

FIGURE 2-2. MAIN CONTROL VALVE ASSEMBLY



SECTION 2 - TURNTABLE

FIGURE 2-2. MAIN CONTROL VALVE ASSEMBLY

ITEM	PART NUMBER	QTY	DESCRIPTION	REV
		Ref	MAIN CONTROL VALVE ASSEMBLY	
	4641123	Ref	Main Control Valve Assembly (Prior to SN 0300065648)	C
	4641235	Ref	Main Control Valve Assembly (SN 0300065648 through 0300102659)	B
	1001092566	Ref	Main Control Valve Assembly (SN 0300102660 through 0300219271)	G
2	7012912	1	Cartridge, Relief (Main)	
2	7012998	1	Seal Kit - 7012912 Cartridge	
3	7021619	1	Cartridge, Pressure Switch (Brake)	
4		Ref	Cartridge without Coil Options: (Brake)	
4	7017455	1	Cartridge without Coil (Prior to SN 0300058444)	
4	7012941	1	Cartridge without Coil (SN 0300058444 through 0300102659)	
4	70005337	1	Cartridge without Coil (SN 0300102660 through 0300219271)	
4		Ref	Seal Kit Options:	
4	7017463	1	Seal Kit (7017455 Cartridge) (Prior to SN 0300058444)	
4	7010543	1	Seal Kit (7012941 & 70005337 Cartridge) (SN 0300058444 through 0300219271)	
4		Ref	Coil Options:	
4	7012943	1	Coil (7017455 Cartridge) (Prior to SN 0300058444)	
4	7012944	1	Coil (7012941 & 70005337 Cartridge) (SN 0300058444 through 0300219271)	
5	7012975	1	Cartridge, Check (Telescope Out)	
5	7012967	1	Seal Kit - 7012975 Cartridge	
6	7018900	1	Orifice	
7		Ref	Cartridge, Check Options: (Telescope In)	
7	7012969	1	Cartridge, Check (Prior to SN 0300058444)	
7	7017412	1	Cartridge, Check (SN 0300058444 through 0300065647)	
7	7022391	1	Cartridge, Check (SN 0300065648 through 0300219271)	
7	7012967	1	Seal Kit - 7012969, 7017412 & 7022391 Cartridge	
8		Ref	Control Valve Assembly (Telescope)	
8	7024018	1	Control Valve Assembly (Prior to SN 0300102660)	
8	70001440	1	Control Valve Assembly (SN 0300102660 through 0300219271)	
8	7012773	1	Seal Kit	
8A		Ref	Coil Options:	
8A	7024013	2	Coil (Prior to SN 0300102660)	
8A	70002947	2	Coil (SN 0300102660 through 0300219271)	
8B		Ref	Nut Options:	
8B	7021375	2	Nut (Prior to SN 0300102660)	
8B	7021375	1	Nut (SN 0300102660 through 0300219271)	
8B	70003525	1	Nut (SN 0300102660 through 0300219271)	
8C		Ref	Lanyard Options:	
8C	7012799	1	Lanyard (Prior to SN 0300102660)	
8C	70003526	1	Lanyard (SN 0300102660 through 0300219271)	
9	7012912	1	Cartridge, Relief (Flow Control)	
9	7012998	1	Seal Kit - 7012912 Cartridge	
10	7012912	1	Cartridge, Relief (Steer)	
10	7012998	1	Seal Kit - 7012912 Cartridge	
11		Ref	Cartridge, Load Shuttle (Steer) Options:	
11	7010542	1	Cartridge, Load Shuttle (Prior to SN 0300102660)	
11	10837580	1	Cartridge, Load Shuttle (SN 0300102660 through	

SECTION 2 - TURNTABLE

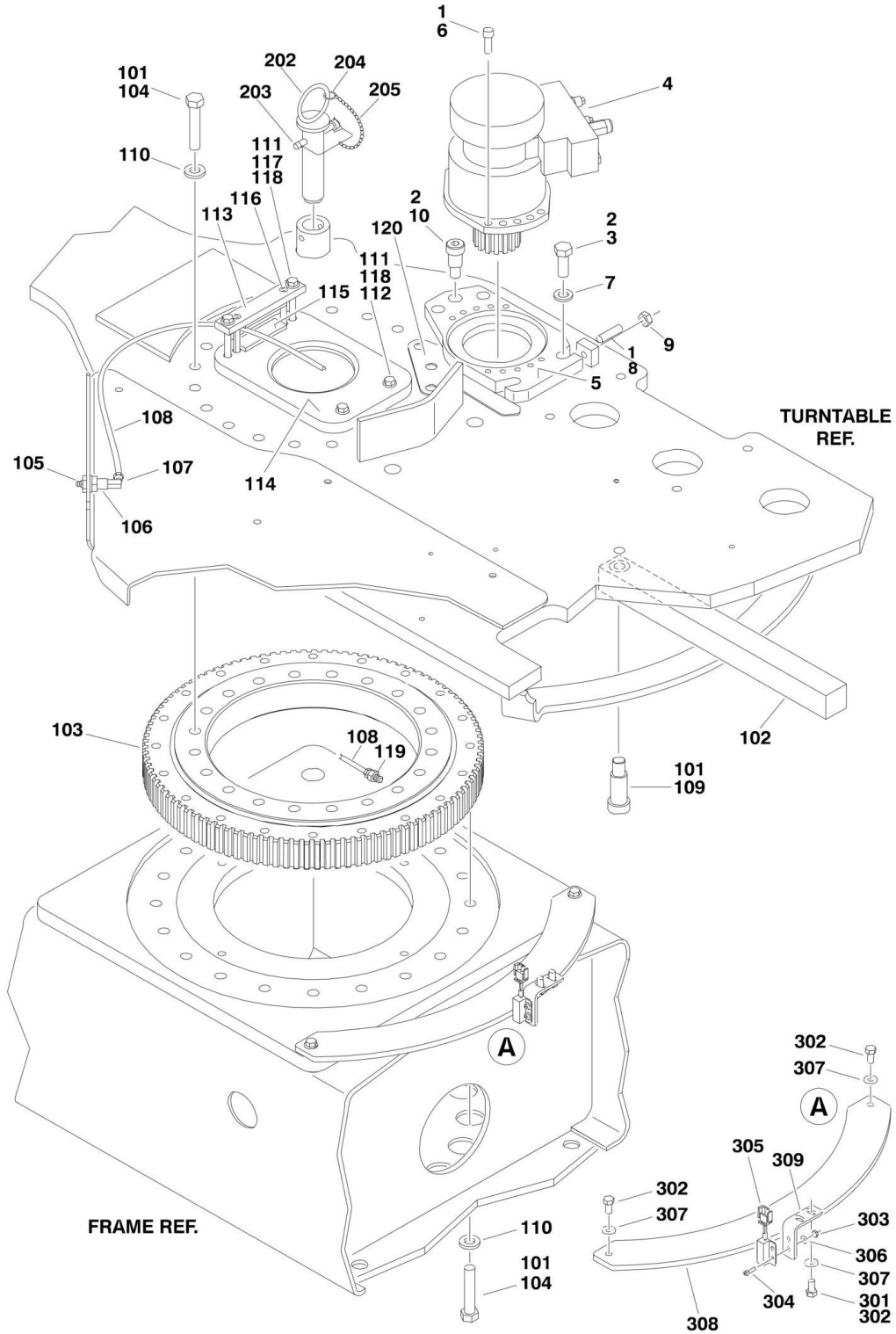
ITEM	PART NUMBER	QTY	DESCRIPTION	REV
			0300219271)	
11	7010543	1	Seal Kit - 7010542 & 10837580 Cartridge	
12		Ref	Control Valve Assembly (Steer) Options:	
12	7021365	1	Control Valve Assembly (Prior to SN 0300058444)	
12	7024019	NLA	Control Valve Assembly (Note: Use p/n 70001342) (SN 0300058444 through 0300102659)	
12	70001342	1	Control Valve Assembly (SN 0300102660 through 0300219271)	
12	7012773	1	Seal Kit	
12A		Ref	Coil Options:	
12A	7021376	2	Coil (Prior to SN 0300058444)	
12A	7024013	2	Coil (SN 0300058444 through 0300102659)	
12A	70002947	2	Coil (SN 0300102660 through 0300219271)	
12A	7021375	2	Nut	
13	7022521	1	Control Valve Assembly (Flow Control)	
13	7012773	1	Seal Kit	
13A	7018991	1	Coil	
13A	7021375	1	Nut	
14		Ref	Control Valve Assembly Options: (Lift)	
14	7012775	1	Control Valve Assembly (Prior to SN 0300065648)	
14	7024991	1	Control Valve Assembly (SN 0300065648 through 0300219271)	
14	7012773	1	Seal Kit	
14A	7018991	2	Coil	
14A	7018912	2	Nut (Prior to SN 0300065648)	
14A	7021375	2	Nut (SN 0300065648 through 0300219271)	
15	7012912	1	Cartridge, Relief (Swing)	
15	7012998	1	Seal Kit - 7012912 Cartridge	
16		Ref	Cartridge, Load Shuttle (Swing) Options:	
16	7010542	1	Cartridge, Load Shuttle (Prior to SN 0300102660)	
16	10837580	1	Cartridge, Load Shuttle (SN 0300102660 through 0300219271)	
16	7010543	1	Seal Kit - 7010542 & 10837580 Cartridge	
17		Ref	Control Valve Assembly (Swing)	
17	See Note	NSS	Control Valve Assembly (Note: Not Available for Purchase) (Prior to SN 0300058444)	
17	7024020	1	Control Valve Assembly (SN 0300058444 through 0300159839)	
17	70005374	1	Control Valve Assembly (SN 0300159840 through 0300219271)	
17		Ref	Seal Kit Options:	
17	See Note	NSS	Seal Kit (Note: Not Available for Purchase) (Prior to SN 0300058444)	
17	7024021	1	Seal Kit (SN 0300058444 through 0300159839)	
17	See Note	1	Seal Kit (Note: Use p/ns 70004461 - Qty 2 & 7018945 Qty 4) (SN 0300159840 through 0300219271)	
17A		Ref	Coil Options:	
17A	See Note	NSS	Coil (Note: Not Available for Purchase) (Prior to SN 0300058444)	
17A	7018991	2	Coil (SN 0300058444 through 0300219271)	
17A	7021375	2	Nut (Prior to SN 0300159840)	
17A	70003525	2	Nut (SN 0300159840 through 0300219271)	
17A	7012799	2	Lanyard (Prior to SN 0300159840)	
17A	70003526	2	Lanyard (SN 0300159840 through 0300219271)	

SECTION 2 - TURNTABLE

ITEM	PART NUMBER	QTY	DESCRIPTION	REV
18	4641129	1	Cartridge, Check (Swing)	
18	7012967	1	Seal Kit - 4641129 Cartridge	
19	4641129	1	Cartridge, Check (Swing)	
19	7012967	1	Seal Kit - 4641129 Cartridge	
20		Ref	Control Valve Assembly (Manual Descent) Options:	
20	7018901	1	Control Valve Assembly (Manual Descent) (Prior to SN 0300058444)	
20	7024022	1	Control Valve Assembly (Manual Descent) (SN 0300058444 through 0300219271)	
20		Ref	Seal Kit Options:	
20	7022531	1	Seal Kit (Prior to SN 0300058444)	
20	7024024	1	Seal Kit (SN 0300058444 through 0300219271)	
20A		Ref	Handle Options:	
20A	See Note	NSS	Handle (Note: Use p/n 7018901) (Prior to SN 0300058444)	
20A	7024023	1	Handle (SN 0300058444 through 0300219271)	
21	7023208	1	Pump Assembly	
21	7023209	1	Seal Kit	
21A	7023210	1	Handle, Pump with Grip	
22	7012799	3	Lanyard	
23	7012912	1	Cartridge, Relief (Lift Down)	
23	7012998	1	Seal Kit - 7012912 Cartridge	
24	4641129	1	Cartridge, Check (Brake)	
24	7012967	1	Seal Kit - 4641129 Cartridge	
26		Ref	Hose Options:	
26	See Note	NSS	Hose (Note: Not Available for Purchase) (Prior to SN 0300102660)	
26	70000435	1	Hose (SN 0300102660 through 0300219271)	
26	7018904	1	Fitting, Elbow	
27	7012912	1	Cartridge, Relief (Lift Up) (SN 0300058444 through 0300219271)	
27	7012998	1	Seal Kit - 7012912 Cartridge	
28	7018942	24	Capscrew #10 x 2	

SECTION 2 - TURNTABLE

FIGURE 2-3. TURNTABLE AND SWING DRIVE INSTALLATION



SECTION 2 - TURNTABLE

FIGURE 2-3. TURNTABLE AND SWING DRIVE INSTALLATION

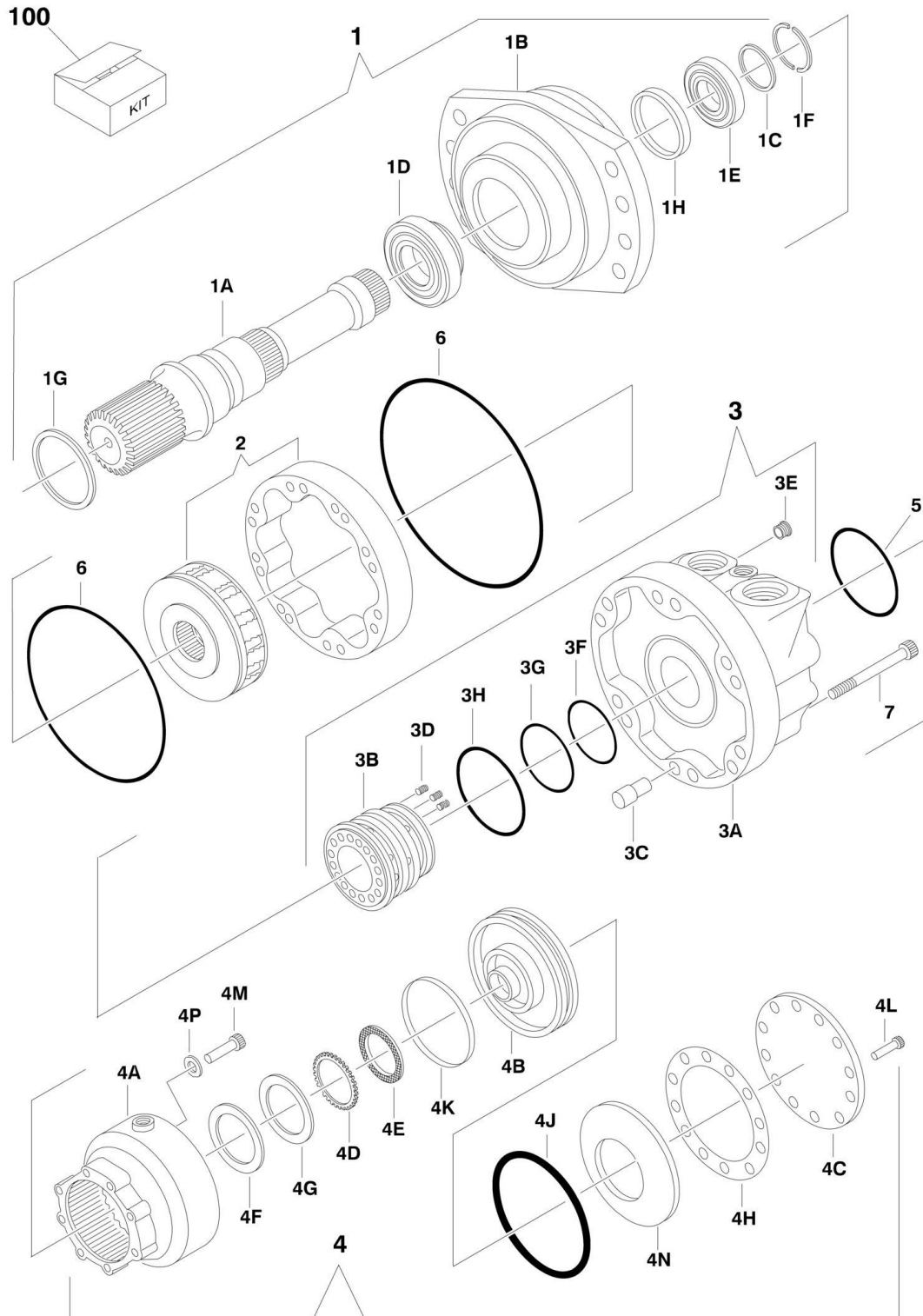
ITEM	PART NUMBER	QTY	DESCRIPTION	REV
		Ref	SWING DRIVE INSTALLATION OPTIONS:	
	0259862	Ref	Swing Drive Installation (Prior to SN 0300058845)	C
	0270752	Ref	Swing Drive Installation (SN 0300058845 through 0300219271)	C
1	0100011	AR	Locking, Compound	
2	0100019	AR	Locking, Compound	
3		Ref	Bolt Options:	
3	0682216	2	Bolt 3/4in-10NC x 2in (Grade 8) (Prior to SN 0300058845)	
3	3932232	2	Bolt 3/4in-10NC x 2in (Grade 8) (SN 0300058845 through 0300219271)	
4		Ref	Swing Motor Assembly Options:	
4	3160246	1	Swing Motor Assembly (See SWING MOTOR ASSEMBLY for Breakdown) (Prior to SN 0300058845)	
4	3160257	1	Swing Motor Assembly (See SWING MOTOR ASSEMBLY for Breakdown) (SN 0300058845 through 0300219271)	
5		Ref	Plate, Mounting Options:	
5	3572064	1	Plate, Mounting (Prior to SN 0300058845)	
5	3572628	1	Plate, Mounting (SN 0300058845 through 0300219271)	
6	3931824	10	Capscrew 1/2in-13NC x 1-1/2in (Grade 8)	
7	4892200	4	Flatwasher 3/4in Hardened	
8	3952020	1	Setscrew 5/8in-11NC x 2-1/2in	
9	3312002	1	Nut, Jam 5/8in-11NC	
10	3900293	1	Screw, Shoulder	
11	4071009	1	Shim (Not Shown - Used on setting gear backlash) (SN 0300058845 through 0300219271)	
	0259854	Ref	TURNTABLE BEARING, STOP AND LUBE INSTALLATION (Prior to SN 0300196439)	F
	1001175087	Ref	TURNTABLE BEARING, STOP AND LUBE INSTALLATION (SN 0300196439 through 0300219271)	B
101	0100019	AR	Locking, Compound	
102	0259849	1	Stop, Turntable	
103	0440240	1	Bearing, Turntable	
104	0682026	40	Bolt 5/8in-11NC x 3-1/4in (Grade 8)	
105	2160002	1	Fitting, Grease	
106	2180344	1	Fitting, Bulkhead	
107	2220063	1	Fitting, Adapter	
108	2751095	1	Hose	
109	3900284	1	Screw, Shoulder	
110	4892000	40	Flatwasher, 5/8in Hardened	
111	0100011	AR	Locking, Compound	
112	0641612	2	Bolt 3/8in-16NC x 1-1/2in	
113	1320271	1	Bar, Clamp	
114	1320272	1	Clamp, Hose Protector (Prior to SN 0300196439)	
114	1001175088	1	Clamp, Hose Protector (SN 0300196439 through 0300219271)	
115	3340860	2	Pad, Rubber	
116	3441260	2	Rollpin	
117	3900262	2	Capscrew 3/8in-16NC x 4-3/4in	
118	4711600	4	Flatwasher 3/8in Thin	
119	2220273	1	Fitting, Reducer	
120	4071010	1	Shim (SN 0300058845 through 0300219271)	
	0239585	Ref	TURNTABLE LOCK INSTALLATION	C
202	3421627	1	Pin Weldment	

SECTION 2 - TURNTABLE

ITEM	PART NUMBER	QTY	DESCRIPTION	REV
203	3421565	1	Pin, Snap	B
204	3760170	1	Ring, Quick Release	
205	1260017	9 in/23cm	Chain	
	1001116136	Ref	DRIVE ORIENTATION INSTALLATION	
301	0100011	AR	Compound, Locking	
302	0641606	4	Bolt 3/8in-161NC x 3/4in	
303	3311005	2	Locknut #10-24NC	
304	3931010	2	Capscrew #10-24NC x 5/8in	
305	4360517	1	Switch, Proximity	
306	4711000	2	Flatwasher #10 Thin	
307	4711600	4	Flatwasher 3/8in Thin	
308	1001116031	1	Cam	
309	1001116106	1	Bracket, Switch Mounting	

SECTION 2 - TURNTABLE

FIGURE 2-4. SWING MOTOR ASSEMBLY (Prior to SN 0300058845)



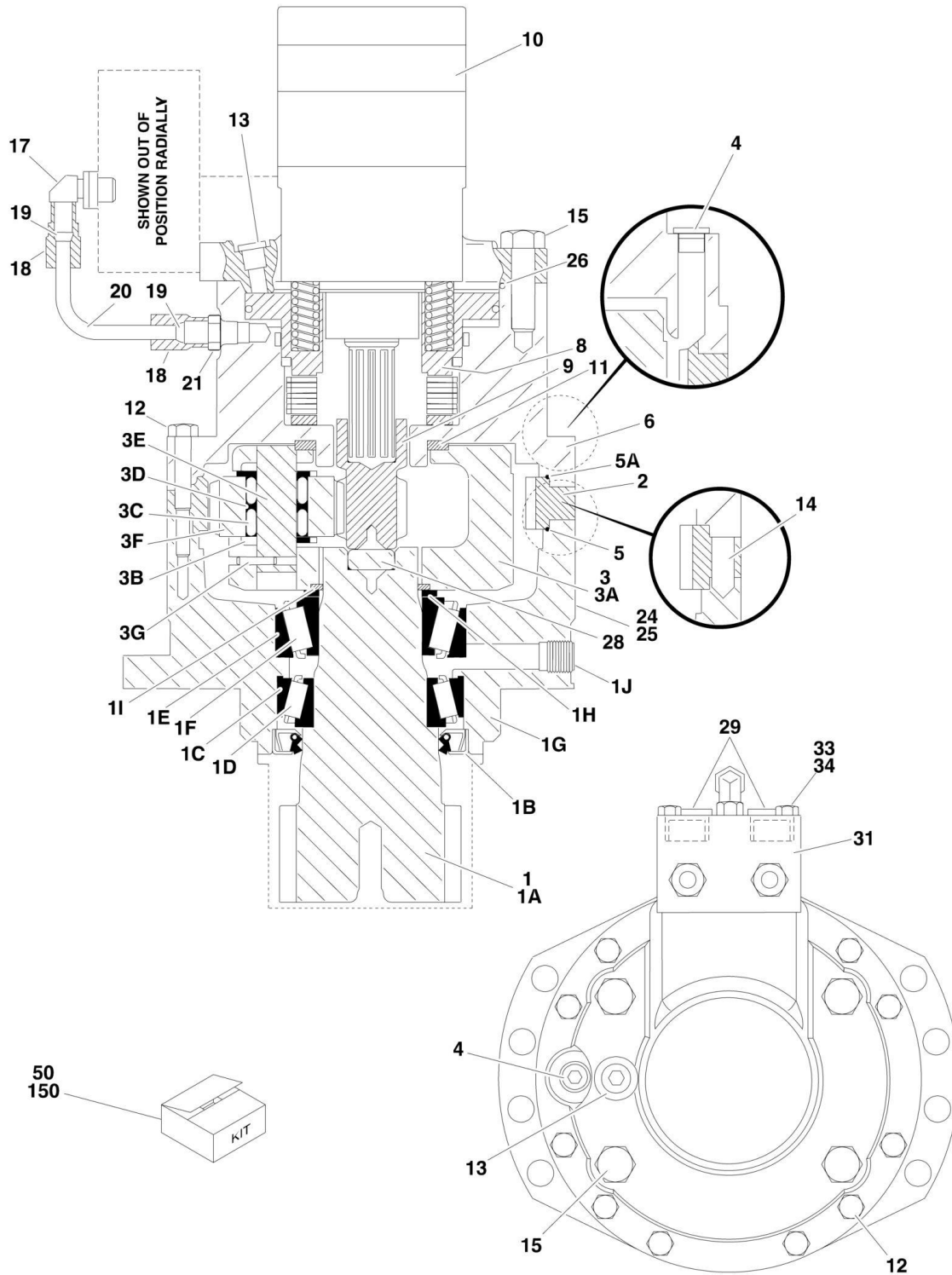
SECTION 2 - TURNTABLE

FIGURE 2-4. SWING MOTOR ASSEMBLY (Prior to SN 0300058845)

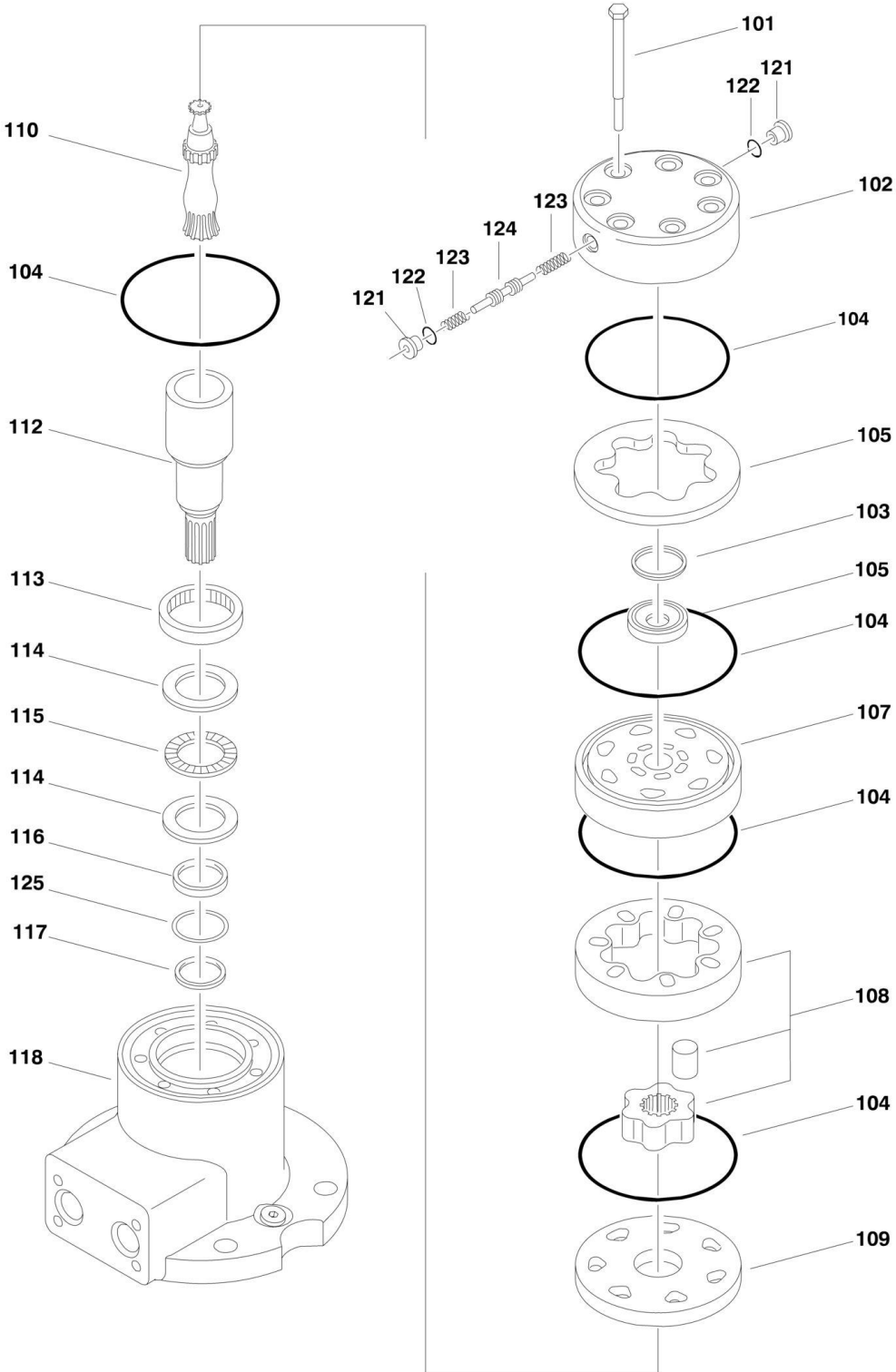
ITEM	PART NUMBER	QTY	DESCRIPTION	REV
	3160246	Ref	SWING MOTOR ASSEMBLY	D
1	See Note	NSS	Front Case Assembly (Note: Use p/n 3160246)	
1A	70001093	1	Shaft, Output	
1B	See Note	NSS	Case, Front (Note: Use p/n 3160246)	
1C	See Note	NSS	Washer (Note: Not Available for Purchase)	
1D	70001094	1	Bearing, Front	
1E	7022588	1	Bearing, Rear	
1F	See Note	NSS	Ring, Split (Note: Not Available for Purchase)	
1G	See Note	NSS	Seal, Face (Note: Use Item 100)	
1H	See Note	NSS	Seal, Shaft (Note: Use Item 100)	
2	70001088	1	Rotary Group	
3	70001089	1	Rear Case Assembly	
3A	See Note	NSS	Case, Rear (Note: Use Item 3)	
3B	See Note	NSS	Distributor (Note: Use Item 3)	
3C	See Note	NSS	Pin, Stop (Note: Use Item 3)	
3D	See Note	NSS	Spring (Note: Use Item 3)	
3E	See Note	NSS	Plug (Note: Use Item 3)	
3F	See Note	NSS	Seal, Rod (Two Piece) 70mm (Note: Use Item 100)	
3G	See Note	NSS	Seal, Rod (Two Piece) 77mm (Note: Use Item 100)	
3H	See Note	NSS	Seal, Rod (Two Piece) 84mm (Note: Use Item 100)	
4	70001090	1	Brake Assembly	
4A	See Note	NSS	Housing (Note: Use Item 4)	
4B	70001095	1	Piston	
4C	See Note	NSS	Cover, End (Note: Use Item 4)	
4D	7022595	15	Plate, Outer	
4E	7022596	13	Plate, Inner	
4F	7022593	1	Shim	
4G	7022594	2	Shim	
4H	See Note	NSS	Gasket (Note: Use Item 100)	
4J	See Note	NSS	O-Ring (Square) (Note: Use Item 100)	
4K	70001096	1	Seal, Outer	
4L	4031707	12	Bolt M6 x 16	
4M	4032011	8	Bolt M10 x 35	
4N	70001097	1	Spring, Disk	
4P	See Note	NSS	Washer (Note: Not Available for Purchase)	
5	See Note	NSS	O-Ring (Square) (Note: Use Item 100)	
6	See Note	NSS	O-Ring (Square) (Note: Use Item 100)	
7	70001091	6	Bolt M12 x 55-12.9	
100	70001092	1	Seal Kit (Includes Items 1G, 1H, 3F, 3G, 3H, 4H, 4J, 5 & 6)	

SECTION 2 - TURNTABLE

FIGURE 2-5. SWING MOTOR ASSEMBLY (SN 0300058845 through 0300219271)



SECTION 2 - TURNTABLE



SECTION 2 - TURNTABLE

FIGURE 2-5. SWING MOTOR ASSEMBLY (SN 0300058845 through 0300219271)

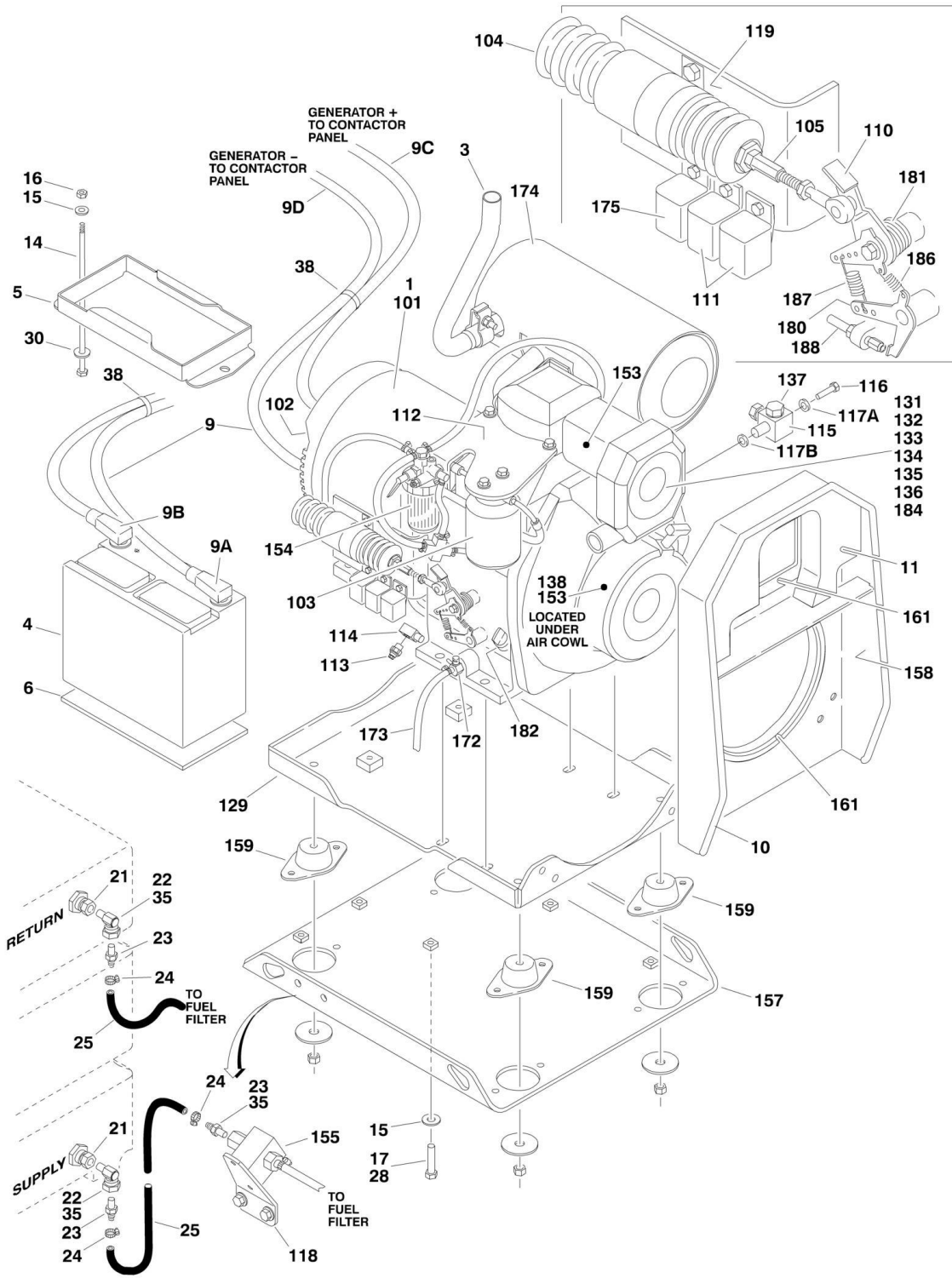
ITEM	PART NUMBER	QTY	DESCRIPTION	REV
	3160257	Ref	SWING MOTOR ASSEMBLY	C
1	See Note	NSS	Housing Assembly (Note: Use p/n 3160257)	
1A	7017069	1	Shaft, Output	
1B	See Note	NSS	Seal, Lip (Note: Use Item 50)	
1C	7000255	1	Bearing, Tapered-Cup	
1D	7000256	1	Bearing, Tapered-Cone	
1E	7000257	1	Bearing, Tapered-Cup	
1F	7000258	1	Bearing, Tapered-Cone	
1G	7017071	1	Housing	
1H	7007633	1	Thrustwasher	
1I	See Note	NSS	Ring, Retaining (Note: Use Item 50)	
1J	7017072	1	Plug, Pipe (With O-Ring)	
2	7000203	1	Gear, Ring	
3	See Note	NSS	Carrier Assembly (Note: Not Available - Purchase Individual Components)	
3A	7017074	1	Carrier	
3B	7001908	6	Thrustwasher, Tanged	
3C	7007637	96	Bearing, Needle	
3D	7000263	3	Spacer, Thrust	
3E	7017073	3	Shaft, Planet	
3F	7017075	3	Gear, Planet	
3G	7001913	3	Pin, Roll	
4	7017023	1	Plug, Pipe (With O-Ring)	
5	See Note	NSS	O-Ring (Special) (Note: Use Item 50)	
5A	See Note	NSS	O-Ring (White) (Note: Use Item 50)	
6	7017077	1	Hub, Brake	
8	7017079	1	Brake, Input	
8	7024199	1	Friction Disc Kit	
8	7024700	1	Spring Kit	
8	7024701	1	Brake Seal Kit	
9	7017076	1	Gear, Sun	
10	7017088	1	Motor, Hydraulic	
11	See Note	NSS	Thrustwasher (Note: Use Item 50)	
12	See Note	NSS	Bolt (Note: Use Item 50)	
13	7017082	1	Plug, Pipe (With O-Ring)	
14	7017080	4	Pin, Dowel	
15	7024136	4	Bolt	
17	7017085	1	Elbow	
18	7017083	2	Nut, Tube	
19	7017084	2	Tube, Female	
20	7017087	1	Tubing	
21	7017086	1	Connector, Straight	
24	See Note	NSS	Plate, ID (Note: Not Available for Purchase)	
25	7000281	2	Screw, Drive	
26	See Note	NSS	O-Ring (Note: Use Item 50)	
28	7017078	1	Spacer, Input	
29	7001926	2	Plug, Pipe (With O-Ring)	
31	4640741	1	Valve, Motor Control	
33	See Note	NSS	Washer, Flat (Note: Use Item 50)	
34	7024135	4	Bolt	

SECTION 2 - TURNTABLE

ITEM	PART NUMBER	QTY	DESCRIPTION	REV
50	7024136	1	Seal Kit (Includes Items 1B, 11, 5, 5A, 11, 12, 15, 26 & 33)	B
	7017088	Ref	HYDRAULIC MOTOR ASSEMBLY	
101	7024382	7	Bolt	
102	7004035	1	Cover, End	
103	See Note	NSS	Seal, Commutator (Note: Use Item 150)	
104	See Note	NSS	Seal, Ring (Note: Use Item 150)	
105	7024378	1	Commutator and Ring Assembly	
107	7024379	1	Manifold	
108	7024383	1	Rotor Set	
108	See Note	NSS	Rotor (Note: Use p/n 7024383)	
108	See Note	NSS	Stator (Note: Use p/n 7024383)	
108	See Note	NSS	Vane (Note: Use p/n 7024383)	
109	7024380	1	Plate, Wear	
110	7024384	1	Link, Drive	
112	7024386	1	Shaft, Coupling	
113	7024381	1	Bushing, Bronze	
114	7004043	2	Thrustwasher	
115	7004044	1	Bearing, Thrust	
116	See Note	NSS	Seal, Inner (Note: Use Item 150)	
117	See Note	NSS	Washer, Back-up (Note: Use Item 150)	
118	7024385	1	Housing	
118A	See Note	NSS	O-Ring (Note: Use Item 150)	
121	7010795	2	Plug	
122	7024387	2	O-Ring	
123	7024388	2	Spring	
124	7017088	1	Valve (Note: Not Available for Purchase)	
125	See Note	NSS	Washer, Back-up (Note: Use Item 150)	
150	7024389	1	Seal Kit (Includes Items 103, 104, 116, 117, 118A & 125)	

SECTION 2 - TURNTABLE

**FIGURE 2-6. YANMAR GENERATOR COMPONENTS INSTALLATION (M600/M600J/M600JP ONLY)
(Prior to SN 0300088375)**



SECTION 2 - TURNTABLE

**FIGURE 2-6. YANMAR GENERATOR COMPONENTS INSTALLATION (M600/M600J/M600JP ONLY)
(Prior to SN 0300088375)**

ITEM	PART NUMBER	QTY	DESCRIPTION	REV
		Ref	MOTOR/GENERATOR INSTALLATION OPTIONS:	
	0259958	Ref	Yanmar (Diesel/Non-Catalytic)	6-D
	0270867	Ref	Yanmar (Diesel/Catalytic)	2-A
1		Ref	Motor/Generator Assembly Options: (See Items 101-187 for Breakdown)	
1	0270118	1	Non-Catalytic Machines (Prior to SN 0300061331)	
1	0271642	1	Non-Catalytic Machines (SN 0300061331 through 0300088375)	
1	0270866	1	Catalytic Machines (Prior to SN 0300061331)	
1	0271643	1	Catalytic Machines (SN 0300061331 through 0300088375)	
3	4568100	1	Tube, Exhaust	
3	7023497	1	Clamp	
4	0400201	1	Battery	
5	0902659	1	Bracket, Battery Hold-Down	
6	3980035	1	Seat, Battery	
9	2901913	1	Battery Cable Kit	2
9A	1060819	1	Cable, Battery (Battery - to Ground)	
9B	1060820	1	Cable, Battery (Battery + to Starter)	
9C	1060821	1	Cable, Battery (Generator + to Contactor Panel)	
9D	1060822	1	Cable, Battery (Generator - to Contactor Panel)	
10	3960389	5 ft/1.5m	Seal, Rubber	
11	2820124	1	Insulation, Noise Reduction	
14	0641660	2	Bolt 3/8in-16NC x 7-1/2in	
15	4751600	16	Flatwasher 3/8in Regular	
16	3311605	5	Locknut 3/8in-16NC	
17	0641614	6	Bolt 3/8in-16NC x 1-3/4in	
21	2220273	2	Fitting, Reducer	
22	2220063	2	Fitting, Elbow	
23	2220315	3	Fitting, Straight Barbed	
24	1320022	4	Clamp, Hose	
25	2720058	9 ft/2.75m	Hose, Fuel Line	
27	2200222	2	Plug, Pipe	
28	0100011	AR	Locking, Compound	
30	4711600	8	Flatwasher 3/8in Thin	
35	0100020	AR	Sealant, Pipe	
38	4240018	8	Tie-Strap	
39	1701505	1	Decal - Diesel Fuel (Not Shown - Located on Hood)	
	2902423	1	Service Kit - Mechron (Adds Separate Fuse for Engine Control)	
	2400080	1	Fuse 1Amp	
		Ref	MOTOR/GENERATOR COMPONENT OPTIONS:	
	0270118	Ref	Non-Catalytic Machines (Prior to SN 0300061331)	1-B
	0271642	Ref	Non-Catalytic Machines (SN 0300061331 through 0300088375)	D
	0270866	Ref	Catalytic Machines (Prior to SN 0300061331)	1-A
	0271643	Ref	Catalytic Machines (SN 0300061331 through 0300088375)	B
101		Ref	Motor, Yanmar Options:	
101	7018126	1	All except Non-Catalytic (SN 0300074824 through 0300088375)	
101	7026198	1	Non-Catalytic (SN 0300074824 through 0300088375)	
102		Ref	Alternator	

SECTION 2 - TURNTABLE

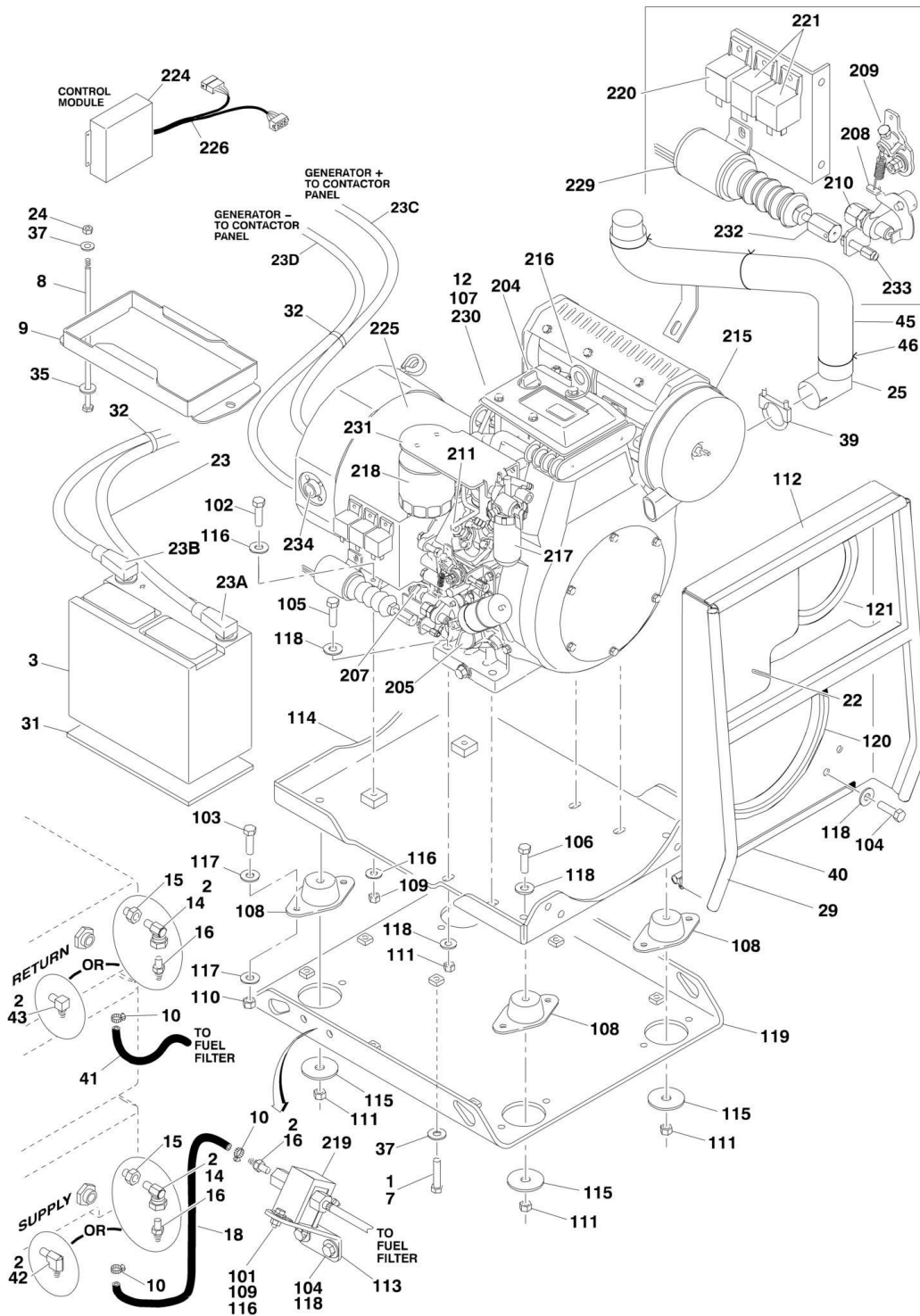
ITEM	PART NUMBER	QTY	DESCRIPTION	REV
102	7020203	1	Alternator (Prior to SN 0300061331)	
102	7026662	1	Voltage/Amp Sensor (Prior to SN 0300061331)	
102	7023485	1	Alternator (SN 0300061331 through 0300088375)	
103	7020215	1	Filter, Oil	
104	7020167	1	Solenoid, Throttle	
105	7020166	1	Swivel, In-line	
110	7018125	1	Handle, Regulator	
111	70000323	2	Relay, Bosch (was p/n 7020207)	
112	0902640	1	Plate, Oil Filter Mounting	
113	7018127	1	Switch, Pressure	
114	7020164	1	Fitting, Adapter	
115	7020163	1	Adapter, Oil Drain	
116		Ref	Bolt, Banjo Options:	
116	7020162	1	All except Non-Catalytic (SN 0300074824 through 0300088375)	
116	Not Available		Non-Catalytic (SN 0300074824 through 0300088375)	
117		Ref	Washer, Sealing Options:	
117A	7023494	1	Fits Between Banjo Bolt and Fitting	
117B	7024303	1	Fits Between Fitting and Engine Block	
118	3572403	1	Plate, Fuel Pump Mounting	
119	7020161	1	Bracket	
129	4846190	1	Baseplate	
131		Ref	Flange, Air Intake Options:	
131	7020160	1	All except Non-Catalytic (SN 0300074824 through 0300088375)	
131	Not Available		Non-Catalytic (SN 0300074824 through 0300088375)	
132	7020159	1	Flange, Air Intake	
133	7020165	1	Heater, Air	
134	7018123	2	Gasket, Air Cleaner	
135	7018122	2	Gasket, Air Adapter	
136	7018124	1	Cover, Air Filter	
137	7020158	1	Probe, Temperature	
138	7020157	1	Bracket, Magnetic Pick-Up	
153	7020206	1	Sensor, Hall Effect Zero Speed	
154	7018141	1	Filter, Fuel	
154	7018143	1	Element, Fuel Filter	
155	7023218	1	Pump, Fuel	
157	4846188	1	Tray Weldment	
158	4846273	1	Tray Weldment	
159	70003042	4	Mount, Engine	
161		Ref	Seal Options:	
161	3960389	4 ft/1.2m	All except Non-Catalytic (SN 0300074824 through 0300088375)	
161	Not Available	1	Non-Catalytic (SN 0300074824 through 0300088375)	
172	7023211	1	Valve, Oil Drain Line	
173	Not Available	6 in/15cm	Hose	
174		Ref	Muffler Options:	
174	3220120	1	Non-Catalytic	
174	3220123	1	Catalytic	
175		Ref	Relay Options:	
175	7020207	1	All except Non-Catalytic (SN 0300074824 through 0300088375)	

SECTION 2 - TURNTABLE

ITEM	PART NUMBER	QTY	DESCRIPTION	REV
175	7023274	1	Non-Catalytic (SN 0300074824 through 0300088375)	
180	7020197	1	Lever	
181	7020198	1	Spring	
182	7020199	1	Dipstick	
183	7020202	1	Starter (Not Shown - Located Below Muffler)	
184	7020217	1	Element, Air Filter	
185	7020200	1	Regulator, Voltage (Not Shown)	
186	7026670	1	Spring, Return	
187	7026669	1	Spring, Governor	
188	70003925	1	Screw	

SECTION 2 - TURNTABLE

FIGURE 2-7. KUBOTA GENERATOR COMPONENTS INSTALLATION (M600/M600J/M600JP ONLY) (SN 0300088375 through 0300219271)



SECTION 2 - TURNTABLE

**FIGURE 2-7. KUBOTA GENERATOR COMPONENTS INSTALLATION (M600/M600J/M600JP ONLY)
(SN 0300088375 through 0300219271)**

ITEM	PART NUMBER	QTY	DESCRIPTION	REV
		Ref	MOTOR/GENERATOR INSTALLATION	
	0274707	Ref	Motor/Generator Installation with Standard Battery (SN 0300088375 through 0300182862)	F
	1001159359	Ref	Motor/Generator Installation with Standard Battery (SN 0300182863 through 0300219271)	F
	1001196512	Ref	Motor/Generator Installation with AGM Battery	B
1	0100011	AR	Locking, Compound	
2	0100020	AR	Sealant, Pipe	
3	0400201	1	Battery, Standard	
3	1001196117	1	Battery, AGM	
7	0641614	6	Bolt 3/8in-16NC x 1-3/4in	
8	0641660	2	Bolt 3/8in-16NC x 7-1/2in	
9	0902659	1	Bracket, Battery Hold-Down	
10	1320022	4	Clamp, Hose	
11	1701505	1	Decal - Diesel Fuel (Not Shown - Located on Hood)	
12		Ref	Engine, Kubota Options:	
12	2000330	NLA	Engine, Kubota (Use p/n 1001159357) (Prior to SN 0300182863)	
12	1001159357	1	Engine, Kubota (SN 0300182863 through 0300219271)	
13	2200222	2	Plug, Pipe (Not Shown - Fuel Tank)	
14	2220063	2	Fitting, Elbow (Prior to SN 0300098980)	
15	2220273	2	Fitting, Reducer (Prior to SN 0300098980)	
16		Ref	Fitting, Straight Barbed Options:	
16	2220315	AR	Fitting, Straight Barbed (Prior to SN 0300196754)	
16	2220794	AR	Fitting, Straight Barbed (SN 0300196754 through 0300219271)	
18	2720058	3.5 ft /1.07m	Hose, Fuel Line	
22	2820232	1	Insulation, Noise Reduction	
23	2901913	1	Battery Cable Kit	2
23A	1060819	1	Cable, Battery (Battery - to Ground)	
23B	1060820	1	Cable, Battery (Battery + to Starter)	
23C	1060821	1	Cable, Battery (Generator + to Contactor Panel)	
23D	1060822	1	Cable, Battery (Generator - to Contactor Panel)	
24	3311605	2	Locknut 3/8in-16NC	
25	3460492	1	Tube, Exhaust	
29	3960389	5.6 ft /1.8m	Seal, Rubber (Prior to SN 0300213968)	
31	3980035	1	Seat, Battery	
32	4240018	AR	Tie-Strap	
35	4711600	2	Flatwasher 3/8in Thin	
37	4751600	16	Flatwasher 3/8in Regular	
39	1320135	1	Clamp, Muffler	
40	3960418	1.1 ft /0.34m	Seal, Rubber	
41	2720271	5.5 ft /1.8m	Hose, Fuel Line	
42	2221046	1	Fitting, Elbow Barbed (SN 0300098980 through 0300219271)	
43	2221047	1	Fitting, Elbow Barbed (SN 0300098980 through 0300219271)	
44	4240178	AR	Strap, Cable Tie	
45	1001208628	1	Sleeve (SN 0300213968 through 0300219271)	

SECTION 2 - TURNTABLE

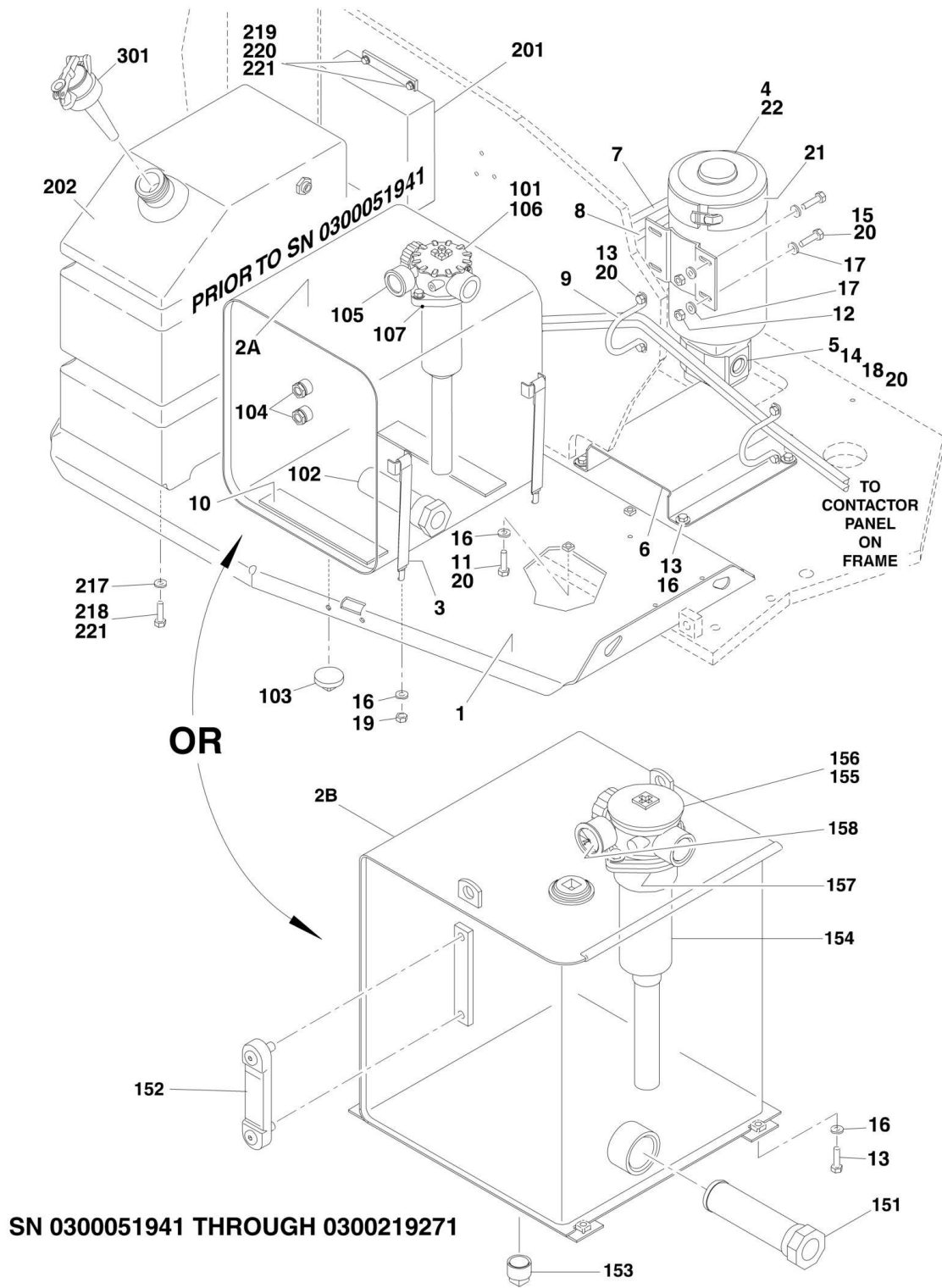
ITEM	PART NUMBER	QTY	DESCRIPTION	REV
46	4920385	8 in /20.42cm	Wire, Safety (SN 0300213968 through 0300219271)	
		Ref	GENERATOR ASSEMBLY	
	2000330	Ref	Generator Assembly (Use p/n 1001159357) (Prior to SN 0300182863)	G
	1001159357	Ref	Generator Assembly (SN 0300182863 through 0300219271)	C
101	0641406	2	Bolt 1/4in-20NC x 3/4in	
102	0641408	2	Bolt 1/4in-20NC x 1in	
103	0641508	8	Bolt 5/16in-18NC x 1in	
104	0641606	6	Bolt 3/8in-16NC x 3/4in	
105	0641614	4	Bolt 3/8in-16NC x 1-3/4in	
106	0641618	4	Bolt 3/8in-16NC x 2-1/4in	
107		Ref	Engine, Kubota Options:	
107	2000333	NLA	Engine, Kubota (Use p/n 1001159355) (Prior to SN 0300182863)	
107	1001159355	1	Engine, Kubota (SN 0300182863 through 0300219271)	
108	3200425	4	Mount, Motor	
109	3311405	4	Locknut 1/4in-20NC	
110	3311505	8	Locknut 5/16in-18NC	
111	3311605	8	Locknut 3/8in-16NC	
112	3380620	1	Engine, Baffle	
113	4341107	1	Plate, Fuel Pump Mounting	
114	4341109	1	Plate, Engine Mounting	
115	4740274	4	Washer, Snubbing	
116	4751400	8	Flatwasher 1/4in Regular	
117	4751500	16	Flatwasher 5/16in Regular	
118	4751600	18	Flatwasher 3/8in Regular	
119	4846188	1	Tray	
120	3960389	18 in /46cm	Seal	
121	3960418	28 in /71cm	Seal	
		Ref	KUBOTA ENGINE COMPONENTS	
	2000333	Ref	Kubota Engine Components (Use p/n 1001159355) (Prior to SN 0300182863)	C
	1001159355	Ref	Kubota Engine Components (SN 0300182863 through 0300219271)	A
201	70000289	1	Regulator, Voltage (Not Shown - Located on Opposite Side of Engine)	
202	70000290	1	Glow Plug (Not Shown)	
202	70000291	1	Harness, Glow Plug (Not Shown)	
203	70000292	1	Screen, Oil Sump (Not Shown) (Includes O-Ring)	
204	70002244	1	Cap, Oil Filler (Shown - Top of Engine)	
204	70000293	1	Cap, Oil Filler (Not Shown - Located on Opposite Side of Engine)	
205	70000294	1	Gauge, Oil	
206	70000295	1	Pump, Oil Rotor (Not Shown - Located Beside Item 207)	
206	70000296	1	O-Ring, Oil Rotor Pump (Not Shown)	
207	70000297	1	Switch, Oil	
208	70000298	1	Lever, Governor	
208	70000299	1	Pin, Governor Lever	
208	70000300	1	Spring, Governor Lever	
209	70000301	1	Spring, Idling (Not Shown)	
209	70000304	1	Lever, Spring Control	

SECTION 2 - TURNTABLE

ITEM	PART NUMBER	QTY	DESCRIPTION	REV
209	70000305	1	Spring, Stop (Speed Control Lever)	
210	70000302	1	Valve, Fuel Limit	
210	70000303	1	Gasket, Fuel Limit Valve	
211	70000306	1	Pump, Injection	
211	70000307	1	Kit, Pump Adjustment Shim	
212	70000308	1	Flywheel/Ring Gear Assembly (Not Shown - Located Behind Front Cover)	
212	70000309	1	Ring Gear (Not Shown)	
212	70001121	1	Stator, Starter (Not Shown - Located Behind Flywheel)	
213	70000310	1	Starter (Not Shown - Located on Opposite Side of Engine)	
214	70000311	1	Solenoid, Starter (Not Shown - Located on Opposite Side of Engine)	
215	70000312	1	Air Cleaner Assembly	
215	70000313	1	Element, Air Cleaner	
215	70000314	1	Gasket, Air Cleaner	
216	70000315	1	Muffler Assembly	
216	70000316	1	Gasket, Muffler	
217	70000317	1	Inline Fuel Check Valve Assembly (Not Shown)	
217	70000967	1	Fuel Filter Assembly	
217	70000318	1	Element, Fuel Filter	
218	70000319	1	Element, Oil Filter	
218	70001144	1	Head, Oil Filter Element (Note: Does no Include Lube Element)	
219	70000320	1	Pump, Fuel	
220	70000322	1	Relay	
221	70000323	2	Relay	
222	70000324	1	Sensor, Speed (Not Shown - Located Behind Front Cover)	
222	70004265	1	Bracket, Speed Sensor (Not Shown - Located Behind Front Cover)	
223	70000325	1	Sensor, Oil Temperature (Not Shown - Located on Opposite Side of Engine at Base)	
224	70000326	1	Module, Engine Control	
224	70005169	1	Harness, Analyzer	
225	70000327	1	Alternator	
225	70000382	1	Stator, Alternator	
225	70004954	4	Screw, Countersunk (Attaches Alternator to Engine)	
226	70000328	1	Harness, Engine	
227	70000329	1	Fuse 15Amp (Not Shown)	
228	70000330	1	Fuse 20Amp (Not Shown)	
229	70000321	1	Solenoid, Fuel	
230	70002543	1	Engine (Without Generator)	
231	70002544	1	Bracket, Oil Filter	
232	70003618	1	Adapter, Solenoid Cable	
233	70003619	1	Screw	
234	70005192	1	Receptacle, Female - 7 Position	
234	70005193	7	Socket, Female	

SECTION 2 - TURNTABLE

FIGURE 2-8. PUMP/MOTOR, TANKS AND MODULE INSTALLATION



SECTION 2 - TURNTABLE

FIGURE 2-8. PUMP/MOTOR, TANKS AND MODULE INSTALLATION

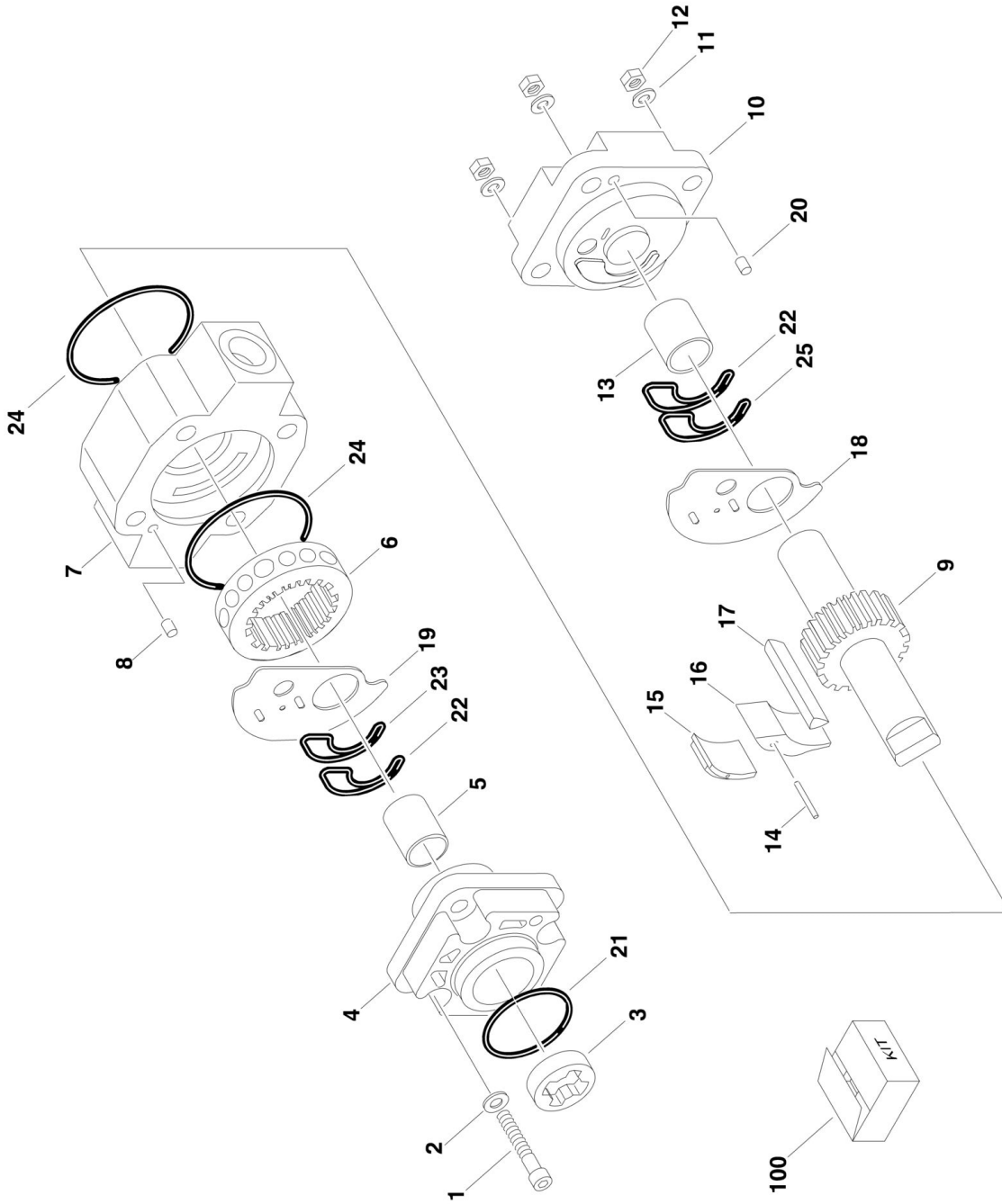
ITEM	PART NUMBER	QTY	DESCRIPTION	REV
		Ref	HYDRAULIC TANK AND PUMP/MOTOR INSTALLATION	
	0259944	Ref	ANSI Spec (Prior to SN 0300196439)	G
	1001174891	Ref	ANSI Spec (SN 0300196439 through 0300219271)	D
	0270383	Ref	UL Spec (Prior to SN 0300196439)	F
	1001175539	Ref	UL Spec (SN 0300196439 through 0300219271)	D
1	4846178	1	Tray Weldment	
2		Ref	Tank Assembly - Hydraulic Options:	
		Ref	Note: Tank p/n 4400455 may be used as replacement when replacing complete Tank Assembly.	
2A	4400424	1	Tank Assembly - Hydraulic (See Items 101-107 for Breakdown) (Prior to SN 0300051941)	
2B	4400455	1	Tank Assembly - Hydraulic (See Items 151-158 for Breakdown) (SN 0300051941 through 0300219271)	
3	4240112	4	Strap, Tank (Prior to SN 0300051941)	
4	3160252	1	Electricity Motor Assembly (See ELECTRICITY MOTOR ASSEMBLY for Breakdown)	A
5	3600310	1	Pump Assembly (See PUMP ASSEMBLY for Breakdown)	
6	4846185	AR	Channel (Prior to SN 0300196439)	
7	1060794	1	Cable, Electrical	
8	1060795	1	Cable, Electrical	
9	3841340	4	Loop, Rod (Prior to SN 0300167052)	
10	4420038	30 in /76cm	Tape, Rubber	
11	0641614	7	Bolt 3/8in-16NC x 1-3/4in	
12	3311505	4	Locknut 5/16in-18NC	
13	0641606	AR	Bolt 3/8in-16NC x 3/4in	
14	0700812	2	Bolt M8 x 25mm	
15	0641507	4	Bolt 5/16in-18NC x 7/8in	
15	0641511	4	Bolt 5/16in-18NC x 1-3/8in	
16	4751600	AR	Flatwasher 3/8in Regular	
17	4751500	AR	Flatwasher 5/16in Regular	
18	4891500	2	Flatwasher, 5/16in Hardened	
19	3311601	AR	Nut 3/8in-16NC	
20	0100011	AR	Locking, Compound	
21	0340049	1	Pump Motor Band Kit (UL Spec Only)	
22	3020037	AR	Grease, Coupling	
	4400424	Ref	HYDRAULIC TANK ASSEMBLY (Prior to SN 0300051941)	E
101	7023268	1	Filter with Pressure Switch (Also Includes Items 105-107)	
101	7023224	1	Element, Filter	
101	7023268	1	Breather with Pressure Switch (was p/n 7020254)	
101	7023269	1	Element, Breather	
102	7020253	1	Strainer, Suction	
103	7014813	1	Plug, Magnetic	
104	7020255	2	Bulb, Sight	
105	7023270	1	Gauge, Indicator	
106	7023306	1	Seal, Cover Plate	
107	7023347	1	Gasket	
	4400455	Ref	HYDRAULIC TANK ASSEMBLY (SN 0300051941 through 0300219271)	E
151	7026121	1	Strainer, Suction	
152	7024441	1	Gauge, Level Indicator	

SECTION 2 - TURNTABLE

ITEM	PART NUMBER	QTY	DESCRIPTION	REV
153	7024446	1	Plug, Magnetic	
154	7023268	1	Filter with Pressure Switch	
154	7023224	1	Element, Filter	
155	7023268	1	Breather with Pressure Switch (was p/n 7020254)	
155	7023269	1	Element, Breather	
156	7023306	1	Seal, Cover Plate	
157	7023347	1	Gasket	
158	7023270	1	Gauge, Indicator	
		Ref	FUEL TANK AND CONTROL MODULE INSTALLATION (M600/M600J/M600JP ONLY) OPTIONS:	
	0259958	Ref	Yanmar Engine (Diesel/Non-Catalytic) (Prior to SN 0300088375)	6-D
	0270867	Ref	Yanmar Engine (Diesel/Catalytic) (Prior to SN 0300088375)	2-A
	0274707	Ref	Kubota Engine with Standard Battery (SN 0300088375 through 0300182862)	F
	1001159359	Ref	Kubota Engine with Standard Battery (SN 0300182863 through 0300219271)	F
	1001196512	Ref	Kubota Engine with AGM Battery	B
201		Ref	Module, Contactor Options:	
201	7020156	1	Yanmar Engine	
201	7020155	1	Harness, Module (Not Shown)	
201	70000326	1	Kubota Engine	
201	70000328	1	Harness, Module (Not Shown)	
202	4400430	1	Tank, Molded (Includes Non-Locking Cap - See Item 301)	
217	4751600	4	Flatwasher 3/8in Regular	
218	0641606	4	Bolt 3/8in-16NC x 3/4in	
219	0641406	4	Bolt 1/4in-20NC x 3/4in	
220	4711400	4	Flatwasher 1/4in Thin	
221	0100011	AR	Locking, Compound	
		Ref	FUEL TANK CAP OPTIONS: (M600/M600J/M600JP ONLY)	
301		Ref	Cap Options:	
301	7020257	1	Non-Locking Cap (Supplied with Tank)	
301	7016649	1	Seal, Cap	
301	1120487	1	Locking Cap - Diesel Machines (Supplied with Tank)	

SECTION 2 - TURNTABLE

FIGURE 2-9. PUMP ASSEMBLY



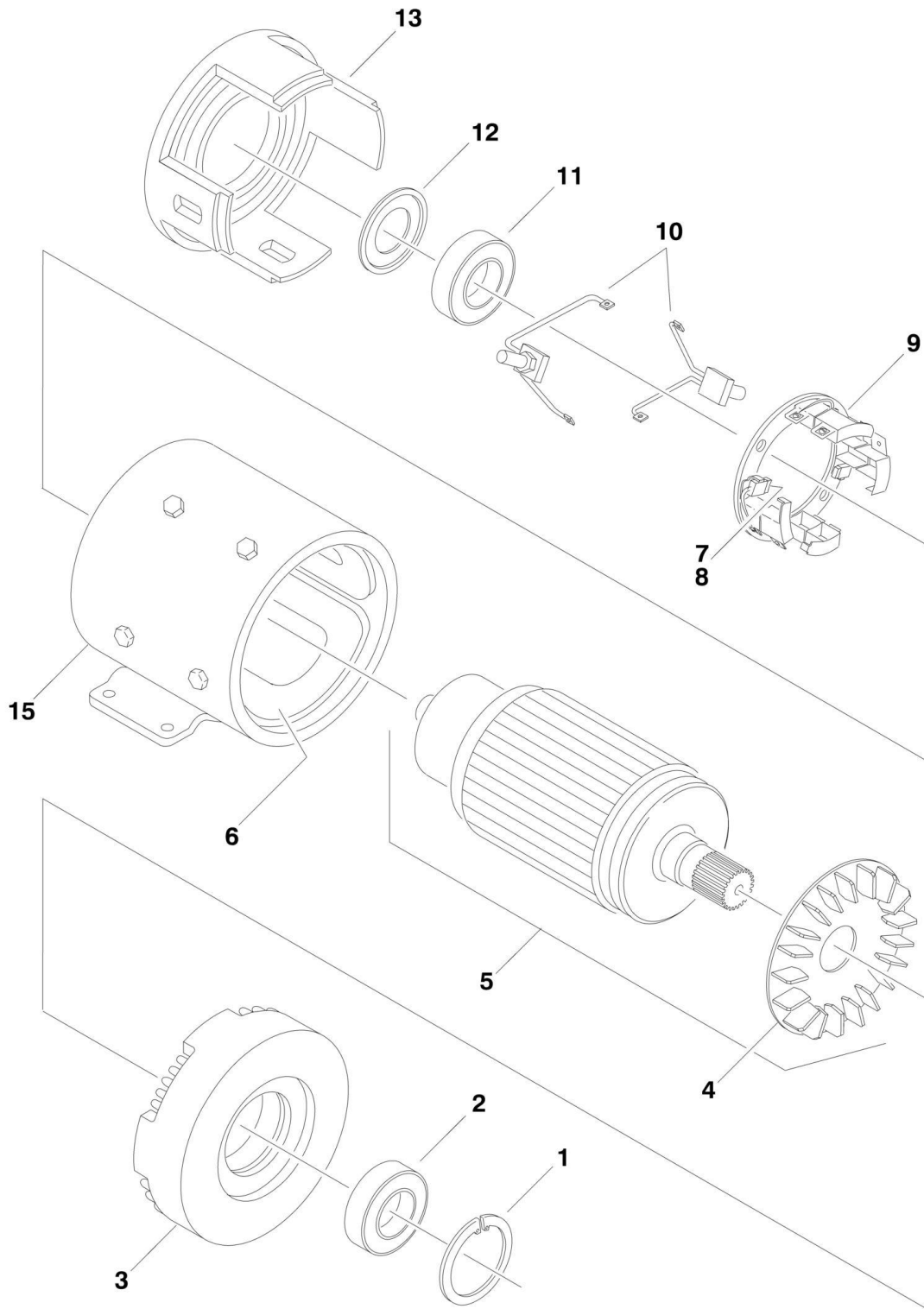
SECTION 2 - TURNTABLE

FIGURE 2-9. PUMP ASSEMBLY

ITEM	PART NUMBER	QTY	DESCRIPTION	REV
	3600310	Ref	PUMP ASSEMBLY	
1	See Note	NSS	Bolt (Note: Use p/n 3600310)	
2	See Note	NSS	Flatwasher (Note: Use p/n 3600310)	
3	See Note	NSS	Coupling (Note: Use p/n 3600310)	
4	See Note	NSS	Cap, End (Note: Use p/n 3600310)	
5	See Note	NSS	Spacer (Note: Use p/n 3600310)	
6	See Note	NSS	Gear (Note: Use p/n 3600310)	
7	See Note	NSS	Housing (Note: Use p/n 3600310)	
8	See Note	NSS	Pin, Dowel (Note: Use p/n 3600310)	
9	See Note	NSS	Shaft (Note: Use p/n 3600310)	
10	See Note	NSS	Head (Note: Use p/n 3600310)	
11	See Note	NSS	Flatwasher (Note: Use p/n 3600310)	
12	See Note	NSS	Nut (Note: Use p/n 3600310)	
13	See Note	NSS	Spacer (Note: Use p/n 3600310)	
14	See Note	NSS	Pin (Note: Use p/n 3600310)	
15	See Note	NSS	Pad, Wear (Note: Use p/n 3600310)	
16	See Note	NSS	Cam (Note: Use p/n 3600310)	
17	See Note	NSS	Bar (Note: Use p/n 3600310)	
18	See Note	NSS	Plate (Note: Use p/n 3600310)	
19	See Note	NSS	Plate (Note: Use p/n 3600310)	
20	See Note	NSS	Pin, Dowel (Note: Use p/n 3600310)	
21	See Note	NSS	O-Ring (Note: Use Item 100)	
22	See Note	NSS	Ring, Thrust (Note: Use Item 100)	
23	See Note	NSS	Seal (Note: Use Item 100)	
24	See Note	NSS	O-Ring (Note: Use Item 100)	
25	See Note	NSS	Seal (Note: Use Item 100)	
100	7024056	1	Seal Kit (Includes Items 21-25)	

SECTION 2 - TURNTABLE

FIGURE 2-10. ELECTRIC MOTOR ASSEMBLY



SECTION 2 - TURNTABLE

FIGURE 2-10. ELECTRIC MOTOR ASSEMBLY

ITEM	PART NUMBER	QTY	DESCRIPTION	REV
	3160252	Ref	ELECTRIC MOTOR ASSEMBLY	A
1	7020291	1	Ring, Retaining	
2	7020292	1	Bearing (Front Endhead)	
3	7020293	1	Endhead, Front	
4	7020294	1	Fan (Part of Item 5)	
5	7020295	1	Armature and Fan Assembly (Includes Item 4)	
6	7020296	1	Field Coil Kit	
7	7012548	4	Spring, Brush	
8	7020297	4	Brush	
9	7020298	1	Holder, Brush	
10	7020299	1	Brush Lead Kit	
11	7012545	1	Bearing (Rear Endhead)	
12	7012549	1	Washer, Wavy	
13	7023200	1	Endhead, Rear	
15	See Note	NSS	Housing (Note: Use p/n 3160252)	

SECTION 2 - TURNTABLE

FIGURE 2-11. BATTERY CHARGER INSTALLATIONS

ITEM	PART NUMBER	QTY	DESCRIPTION	REV
		Ref	MAC BATTERY CHARGER INSTALLATIONS	
	0270040	Ref	110V/60Hz (ANSI Spec)	C
	0270043	Ref	120-240V/50-60Hz (ANSI Export Spec Option)	D
	0270042	Ref	250V/50Hz (ANSI Export Spec Option)	D
	0270041	Ref	100V/50-60Hz (Japanese Spec)	C
1	0100011	AR	Locking, Compound	
2		Ref	Battery Charger Assembly Options (See Battery Charger Assembly for Breakdown):	
2	0400188	1	110V/60Hz (ANSI Spec)	
2	0400190	1	120-240V/50-60Hz (ANSI Export Spec Option)	
2	0400191	1	250V/50Hz (ANSI Export Spec Option)	
2	0400189	1	100V/50-60Hz (Japanese Spec)	
3	0610131	1	LED Light Assembly	
4	0641405	4	Bolt 1/4in-20NC x 5/8in	
5	1060813	1	Cable, Remote LED Light (See ELECTRICAL SECTION for Breakdown)	
6		Ref	Cable, Battery Options: (See ELECTRICAL SECTION for Breakdown)	
6	1060812	1	110V/60Hz (ANSI Spec)	
6	1060814	1	120-240V/50-60Hz (ANSI Export Spec Option)	
6	1060814	1	250V/50Hz (ANSI Export Spec Option)	
6	1060812	1	100V/50-60Hz (Japanese Spec)	
7	3311001	4	Nut #10-24NC	
8		Ref	Plate, Mounting Options:	
8	Not Required	0	110V/60Hz (ANSI Spec)	
8	3571584	1	110-230V/50-60Hz (ANSI Export Spec Option)	
8	3571584	1	250V/50Hz (ANSI Export Spec Option)	
8	Not Required	0	100V/50-60Hz (Japanese Spec)	
9	3911016	4	Screw #10-24NC x 1in	
10	4240032	2	Tie, Wire (Not Shown)	
11	4240033	3	Tie, Wire (Not Shown)	
12	4460234	2	Tie, Wire (Not Shown)	
13		Ref	Connector, Strain Relief Options:	
13	Not Required	0	110V/60Hz (ANSI Spec)	
13	4460428	1	110-230V/50-60Hz (ANSI Export Spec Option)	
13	4460428	1	250V/50Hz (ANSI Export Spec Option)	
13	Not Required	0	100V/50-60Hz (Japanese Spec)	
14	4460802	1	Cover, Terminal	
15		Ref	Plug Options:	
15	4460803	1	110V/60Hz (ANSI Spec)	
15	Not Available		110-230V/50-60Hz (ANSI Export Spec Option)	
15	4460805	1	250V/50Hz (ANSI Export Spec Option)	
15	4460803	1	100V/50-60Hz (Japanese Spec)	
16	4761000	4	Lockwasher #10	
17	4751400	4	Flatwasher 1/4in Regular	
		Ref	DELTA-Q BATTERY CHARGER INSTALLATIONS	
	1001125780	Ref	110V/60Hz (ANSI Spec)	E
	1001125779	Ref	120-240V/50-60Hz (ANSI and ANSI Export Spec)	E
	1001125781	Ref	250V/50Hz (ANSI Export Spec)	E
	1001125780	Ref	100V/50-60Hz (Japanese Spec)	E

SECTION 2 - TURNTABLE

ITEM	PART NUMBER	QTY	DESCRIPTION	REV
	1001162843	Ref	120-230V/45-65Hz (48 Volt) (All Specs)	E
101	0100011	AR	Locking, Compound	
102	0610131	1	Charger LED Assembly	
103	0641405	4	Bolt 1/4in-20NC x 5/8in	
103	0641406	4	Bolt 1/4in-20NC x 3/4in	
105	1060813	1	Cable, LED (Not Shown - See ELECTRICAL SECTION for Breakdown)	
106	3311001	4	Nut #10-24NC	
107	3311408	AR	Nut 1/4in-20NC	
108	3571584	1	Plate (All Installations except 1001125780)	
109	3911016	4	Screw #10-24NC x 1in	
110	4240032	2	Tie-Strap (Not Shown)	
111	4240033	AR	Tie-Strap (Not Shown)	
112	4460234	2	Mount, Tie-Strap (Not Shown)	
113	4460428	1	Connector, Strain Relief (All Installations except 1001125780)	
114	4460802	1	Cover, Terminal	
115		Ref	Terminal, Plug Options:	
115	4460803	1	Plug (1001125780 Installation)	
115	See Note	NSS	Plug (1001125779 & 1001162843 Installations) (Note: Purchase Locally)	
115	4460805	1	Plug (1001125781 & 1001162843 Installations)	
116	4711400	AR	Flatwasher 1/4in Thin	
117	4761000	4	Lockwasher #10	
118	1001103105	1	Battery Charger Assembly (See ELECTRICAL SECTION for Breakdown)	
119	1001113045	1	Battery Charger Harness (Not Shown - See ELECTRICAL SECTION for Breakdown)	
121	1001126185	1	AC Cord Cable (Not Shown - See ELECTRICAL SECTION for Breakdown)	
122	1001125430	1	Plate, Battery Charger Mounting (Prior to SN 0300196439)	

SECTION 2 - TURNTABLE

FIGURE 2-12. BATTERY CHARGER ASSEMBLY

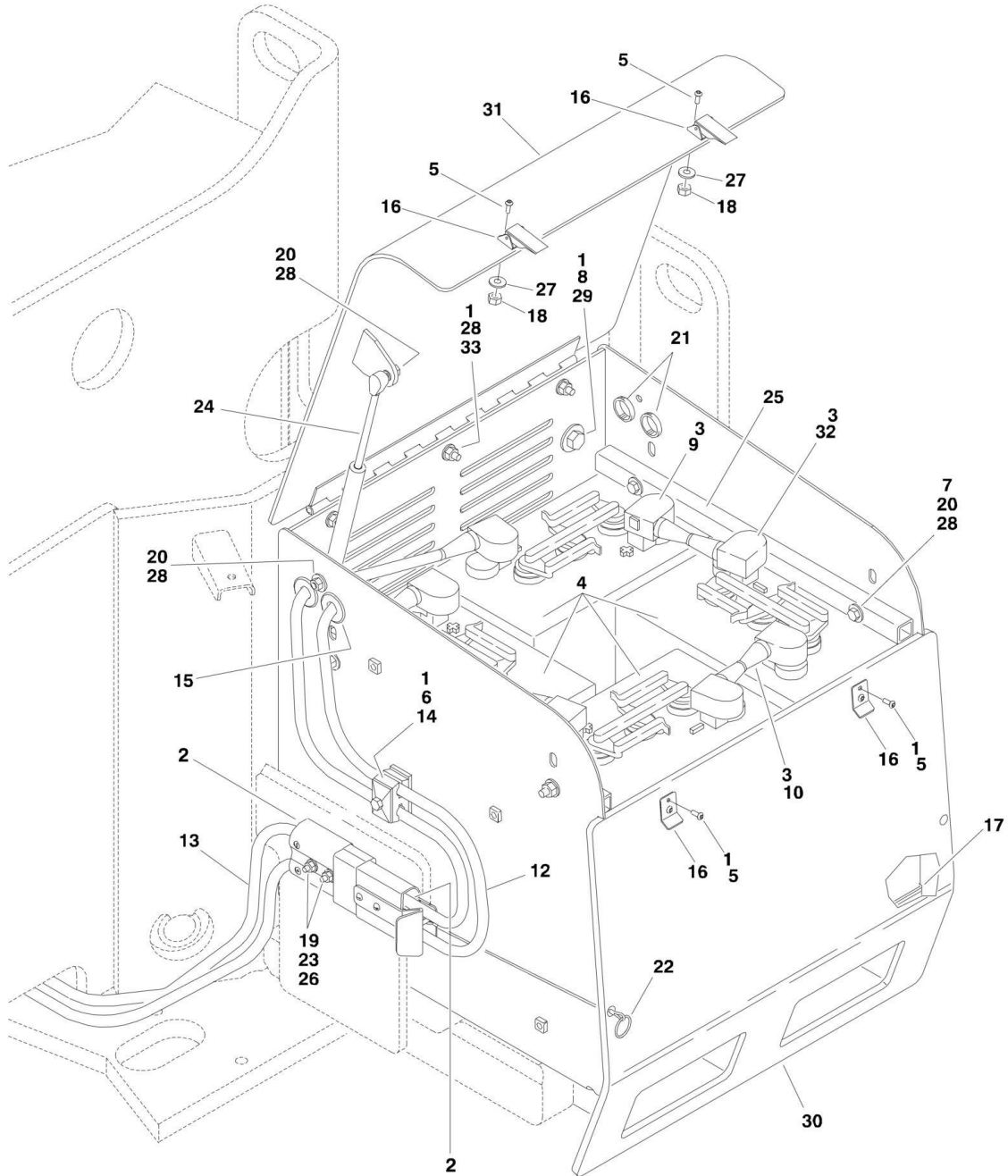
ITEM	PART NUMBER	QTY	DESCRIPTION	REV
		Ref	BATTERY CHARGER ASSEMBLIES	
	0400188	Ref	110V/60Hz (ANSI Spec)	C
1	7020642	1	Breaker, Circuit - 20Amp	
2	7011621	1	Connector - 2 Position	
3	7020643	1	PC Board	
4	7022910	1	Cord, DC	
5	7018571	1	Holder, Fuse (Not Shown)	
6	7018570	1	Fuse - 80 DC Amp	
7	7020645	1	Harness - 17 Position	
8	7020646	1	Harness - 4 Position	
9	7018571	1	Holder, Fuse	
10	7020648	1	Plug, AC Inlet	
11	7011590	1	Plug, DC	
12	7020649	2	Rectifier, Replacement	
13	7020650	2	SCR, Replacement	
14	7018506	1	Relay	
15	7020651	1	Shunt Assembly	
16	7011529	2	Connector, Strain Relief (Not Shown)	
17	7020652	1	Transformer	
18	7020603	1	Varistor	
	0400190	Ref	110-230V/50-60Hz (ANSI Export Spec Option)	B
101	7020653	2	Breaker, Circuit - 10Amp	
102	7011621	1	Connector - 2 Position	
103	7022924	1	PC Board (Was p/n 7020643)	
104	7020644	1	Cord, DC	
105	7018571	1	Holder, Fuse (Not Shown)	
106	7018570	1	Fuse - 80 DC Amp	
107	7020645	1	Harness - 17 Position	
108	7020646	1	Harness - 4 Position	
109	7018571	1	Holder, Fuse	
110	7020648	1	Plug, AC Inlet	
111	7011590	1	Plug, DC	
112	7020649	2	Rectifier, Replacement	
113	7020650	2	SCR, Replacement	
114	7020654	1	Relay	
115	7020651	1	Shunt Assembly	
116	7011529	2	Connector, Strain Relief (Not Shown)	
117	7020662	1	Transformer	
118	7018537	1	Varistor	
119	7020640	1	Controller - AC	
120	7018564	1	Relay	
	0400191	Ref	250V/50Hz (ANSI Export Spec Option)	C
201	7020653	2	Breaker, Circuit - 10Amp	
202	7011621	1	Connector - 2 Position	
203	7020643	1	PC Board	
204	7022910	1	Cord, DC	
205	7018571	1	Holder, Fuse (Not Shown)	
206	7018570	1	Fuse - 80 DC Amp	
207	7020645	1	Harness - 17 Position	
208	7020646	1	Harness - 4 Position	

SECTION 2 - TURNTABLE

ITEM	PART NUMBER	QTY	DESCRIPTION	REV
209	7018571	1	Holder, DC Fuse	B
210	7020648	1	Plug, AC Inlet	
211	7011590	1	Plug, DC	
212	7020649	2	Rectifier, Replacement	
213	7020650	2	SCR, Replacement	
214	7018535	1	Relay	
215	7020651	1	Shunt Assembly	
216	7011529	2	Connector, Strain Relief (Not Shown)	
217	7020683	1	Transformer	
218	7018537	1	Varistor	
	0400189	Ref	100V/50-60Hz (Japanese Spec)	
301	7020642	1	Breaker, Circuit - 20Amp	
302	7011621	1	Connector - 2 Position	
303	7020689	1	PC Board	
304	7020644	1	Cord, DC	
305	7020690	1	Holder, Fuse (Not Shown)	
306	7020691	1	Fuse - 80 DC Amp	
307	7020692	1	Harness - 17 Position	
308	7020693	1	Harness - 4 Position	
309	7018571	1	Holder, Fuse	
310	7020648	1	Plug, AC Inlet	
311	7011590	1	Plug, DC	
312	7020649	2	Rectifier, Replacement	
313	7020650	2	SCR, Replacement	
314	7018506	1	Relay	
315	7020651	1	Shunt Assembly	
316	7011529	2	Connector, Strain Relief (Not Shown)	
317	7020694	1	Transformer	
318	7020603	1	Varistor	

SECTION 2 - TURNTABLE

FIGURE 2-13. BATTERY BOX INSTALLATIONS (Prior to SN 0300196439)



SECTION 2 - TURNTABLE

FIGURE 2-13. BATTERY BOX INSTALLATIONS (Prior to SN 0300196439)

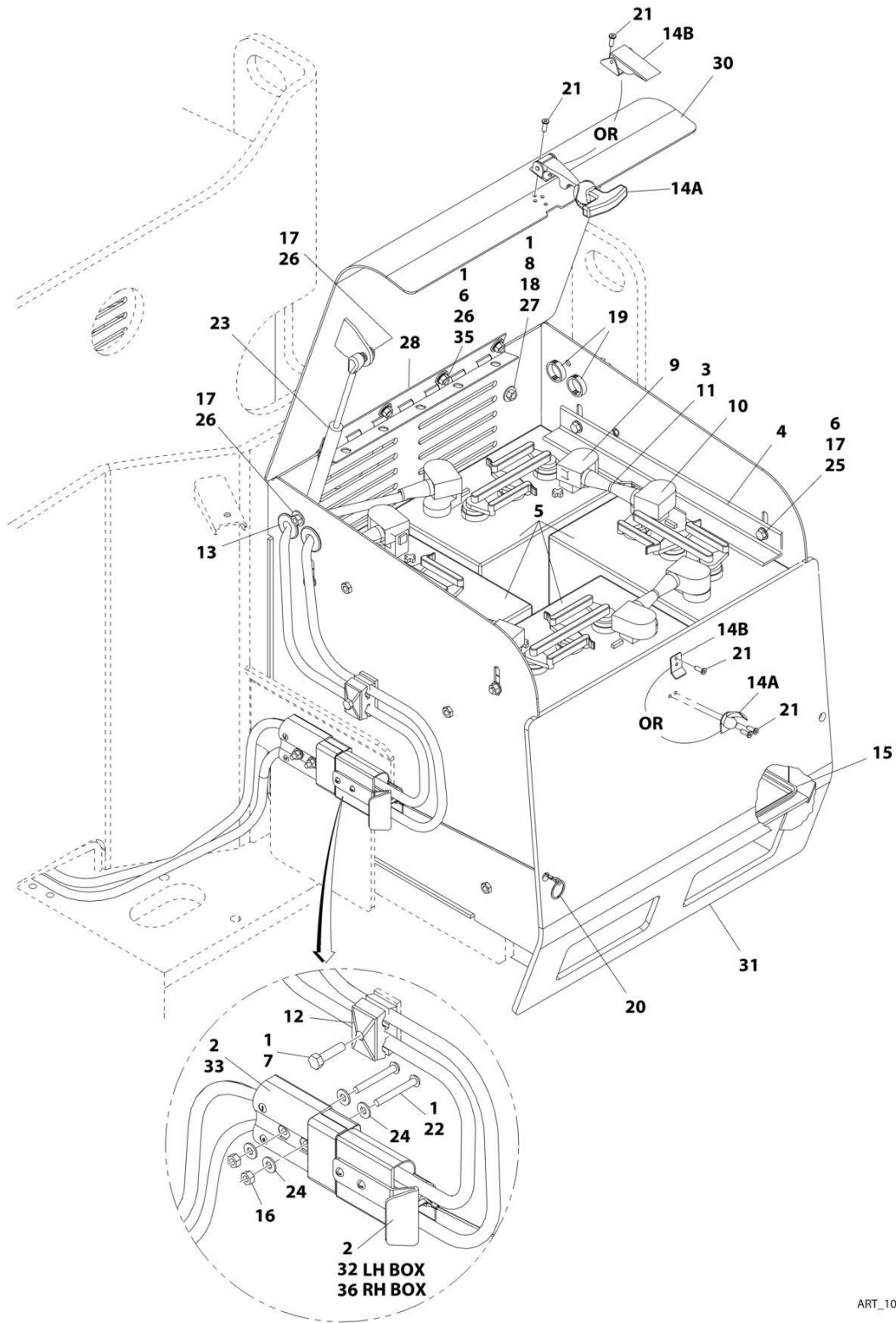
ITEM	PART NUMBER	QTY	DESCRIPTION	REV
		Ref	BATTERY BOX INSTALLATIONS (Prior to SN 0300196439)	
	0259742	Ref	All Specs except UL Spec (Standard Batteries)	K
	1001162846	Ref	All Specs except UL Spec (AGM Batteries)	E
	0270626	Ref	UL Spec	D
1	0100011	AR	Locking, Compound	
2	0100048	AR	Grease, Dielectric	
3	0100051	AR	Grease, Battery Terminal	
4		Ref	Battery Options:	
4	0400202	8	Standard Batteries	
4	1001102534	8	AGM Batteries	
5	0630473	16	Screw, Button Head	
6	0641510	2	Bolt 5/16in-18NC x 1-1/4in	
7	0641522	8	Bolt 5/16in-18NC x 2-3/4in	
8	0641808	4	Bolt 1/2in-13NC x 1in	
9		Ref	Boot, Terminal (d Shaped) Options:	
9	0840031	8	Standard Batteries	
9	0840048	8	AGM Batteries	
10		Ref	Cable, Battery (Terminal to Terminal) Options:	
10	1060848	6	Standard Batteries	
10	1060884	6	AGM Batteries	
12		Ref	Cable Assembly - Battery Box Internal (See ELECTRICAL SECTION for Breakdown)	
12	1060803	2	Standard Batteries	
12	1001172285	2	AGM Batteries	
13	1060804	1	Cable Assembly - Battery Box to Contactor (See ELECTRICAL SECTION for Breakdown)	
14	1320159	2	Clamp	
15	2540020	4	Grommet	
16		Ref	Latch Options:	
16	2940129	4	ANSI Spec	
16	2940130	4	UL Spec (Lockable)	
17	3000014	2	Liner, Battery Box	
18	3310805	8	Locknut #8-32NC	
19	3311405	4	Locknut 1/4in-20NC	
19	3311401	4	Nut 1/4in-20NC	
20	3311505	12	Locknut 5/16in-18NC	
21	3520031	4	Plug, Hole	
22	3760170	2	Ring, Split	
23	3911436	4	Screw 1/4in-20NC x 2-1/4in	
24	4160185	2	Spring, Gas	
25		Ref	Tube, Hold-Down Options:	
25	4567996	4	Tube, Hold-Down (Prior to SN 0300061778)	
25	4568220	4	Tube, Hold-Down (SN 0300061778 through 0300196438)	
26	4711400	8	Flatwasher 1/4in Thin	
27	4750800	8	Flatwasher #8 Regular	
28	4751500	26	Flatwasher 5/16in Regular	
29	4751800	4	Flatwasher 1/2in Regular	
30	4846134	2	Box, Battery	
31	4846140	2	Lid, Battery Box	
32		Ref	Boot, Terminal Insulator Options:	

SECTION 2 - TURNTABLE

ITEM	PART NUMBER	QTY	DESCRIPTION	REV
32	0840032	8	Standard Batteries	
32	0840049	8	AGM Batteries	
33	3311501	6	Nut 5/16in-18NC	
34	1001176711	1	Sensor, Temperature (Not Shown - Located in LH Side Battery Box)	

SECTION 2 - TURNTABLE

FIGURE 2-14. BATTERY BOX INSTALLATIONS (SN 0300196439 through 0300219271)



ART_1001173337

SECTION 2 - TURNTABLE

FIGURE 2-14. BATTERY BOX INSTALLATIONS (SN 0300196439 through 0300219271)

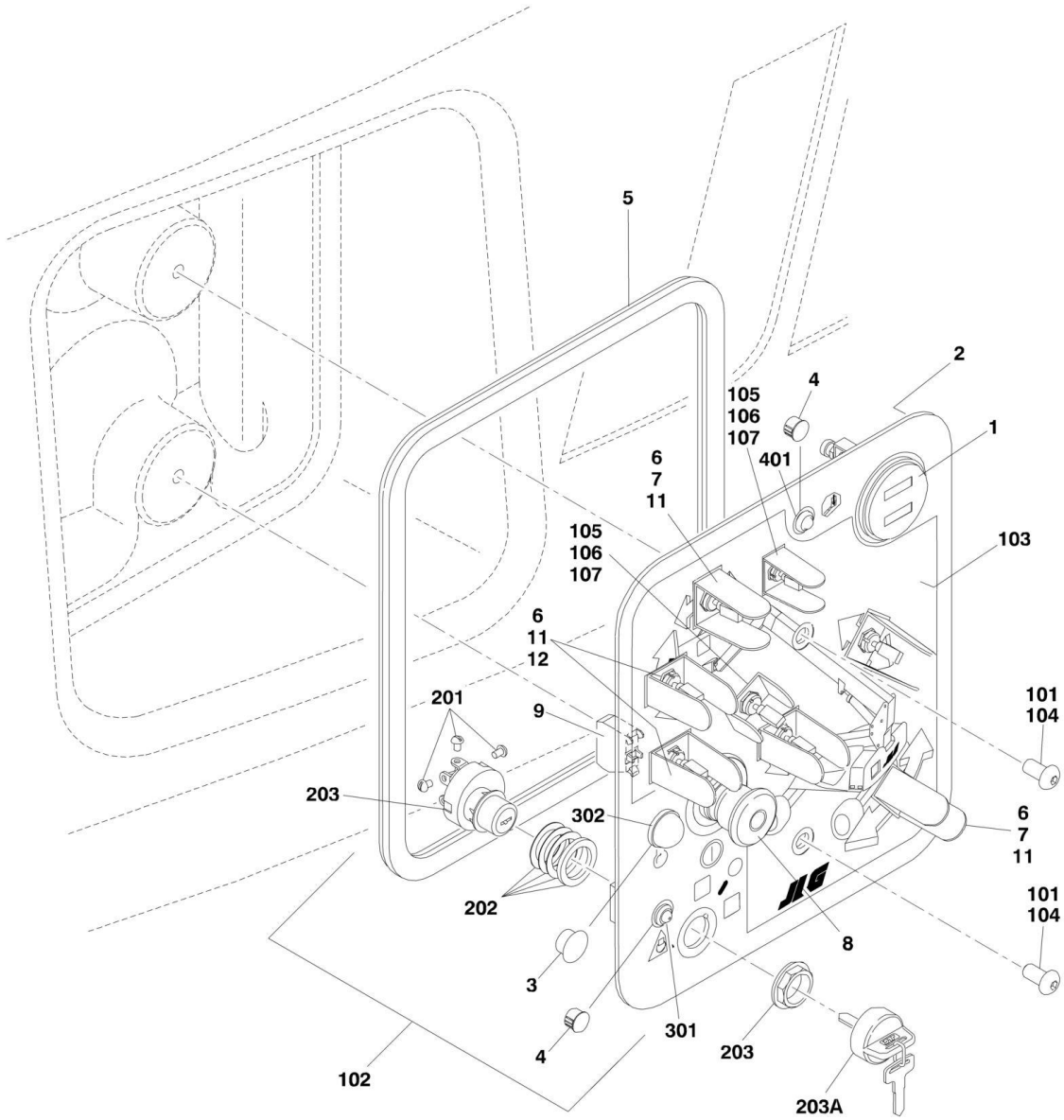
ITEM	PART NUMBER	QTY	DESCRIPTION	REV
		Ref	BATTERY BOX INSTALLATIONS (SN 0300196439 through 0300219271)	
	1001173337	Ref	All Specs except UL Spec (Standard Batteries)	F
	1001174392	Ref	All Specs except UL Spec (AGM Batteries)	G
	1001175544	Ref	UL Spec	E
1	0100011	AR	Locking, Compound	
2	0100048	AR	Grease, Dielectric	
3	0100051	AR	Grease, Battery Terminal	
4	1001179842	4	Angle, Hold-Down	
5		Ref	Battery Options:	
5	0400202	8	Standard Batteries	
5	1001102534	8	AGM Batteries	
6	0641506	26	Bolt 5/16 x 3/4	
7	0641510	2	Bolt 5/16 x 1-1/4	
8	0641820	4	Bolt 1/2 x 2-1/2	
9		Ref	Boot, Terminal (d Shaped) Options:	
9	0840031	8	Standard Batteries	
9	0840048	8	AGM Batteries	
10		Ref	Boot, Terminal (b Shaped) Options:	
10	0840032	8	Standard Batteries	
10	0840049	8	AGM Batteries	
11		Ref	Cable, Battery (Terminal to Terminal) Options:	
11	1060848	6	Standard Batteries	
11	1060884	6	AGM Batteries	
12	1320159	2	Clamp	
13	2540020	4	Grommet	
14		Ref	Latch Options:	
14A	2940129	4	ANSI Spec	
14B	2940130	4	UL Spec (Lockable)	
15	3000014	2	Liner, Battery Box	
16	3311401	4	Nut 1/4	
17	3311505	12	Nut 5/16	
18	3310801	4	Nut #8	
19	3520031	4	Plug, Hole	
20	3760170	2	Ring, Split	
21	3820017	8	Rivet	
22	3911432	4	Screw 1/4 x 2	
23	4160185	2	Spring, Gas	
24	4711400	8	Washer 1/4	
25	4711500	16	Washer 5/16	
26	4751500	40	Washer 5/16	
27	4751800	2	Washer 1/2	
28	1001096148	2	Hinge	
29	1001176711	1	Sensor, Temperature (Not Shown - Located in LH Side Battery Box)	
30	1001172260	2	Lid, Battery Box	
31	1001172876	2	Box, Battery	
32		Ref	Cable Assembly - Battery Box Internal (LH Side) (See ELECTRICAL SECTION for Breakdown)	
32	1060803	1	Standard Batteries	

SECTION 2 - TURNTABLE

ITEM	PART NUMBER	QTY	DESCRIPTION	REV
32	1001172285	1	AGM Batteries (SN 0300196439 through 0300203800)	
32	1001194212	1	AGM Batteries (SN 0300203801 through 0300219271)	
33	1060804	1	Cable Assembly - Battery Box to Contactor (See ELECTRICAL SECTION for Breakdown)	
35	3311508	18	Nut 5/16	
36		Ref	Cable Assembly - Battery Box Internal (RH Side) (See ELECTRICAL SECTION for Breakdown)	
36	1060803	1	Cable (All Specs except UL Spec with Standard Batteries) (SN 0300196439 through 0300200809)	
36	1001194037	1	Cable (All Specs except UL Spec with Standard Batteries) (SN 0300200810 through 0300219271)	
36	1001172285	1	Cable (All Specs except UL Spec with AGM Batteries) (SN 0300196439 through 0300203800)	
36	1001194238	1	Cable (All Specs except UL Spec with AGM Batteries) (SN 0300203801 through 0300219271)	
36	1060803	1	Cable (UL Specs)	

SECTION 2 - TURNTABLE

FIGURE 2-15. GROUND CONTROL PANEL ASSEMBLY AND INSTALLATION



SECTION 2 - TURNTABLE

FIGURE 2-15. GROUND CONTROL PANEL ASSEMBLY AND INSTALLATION

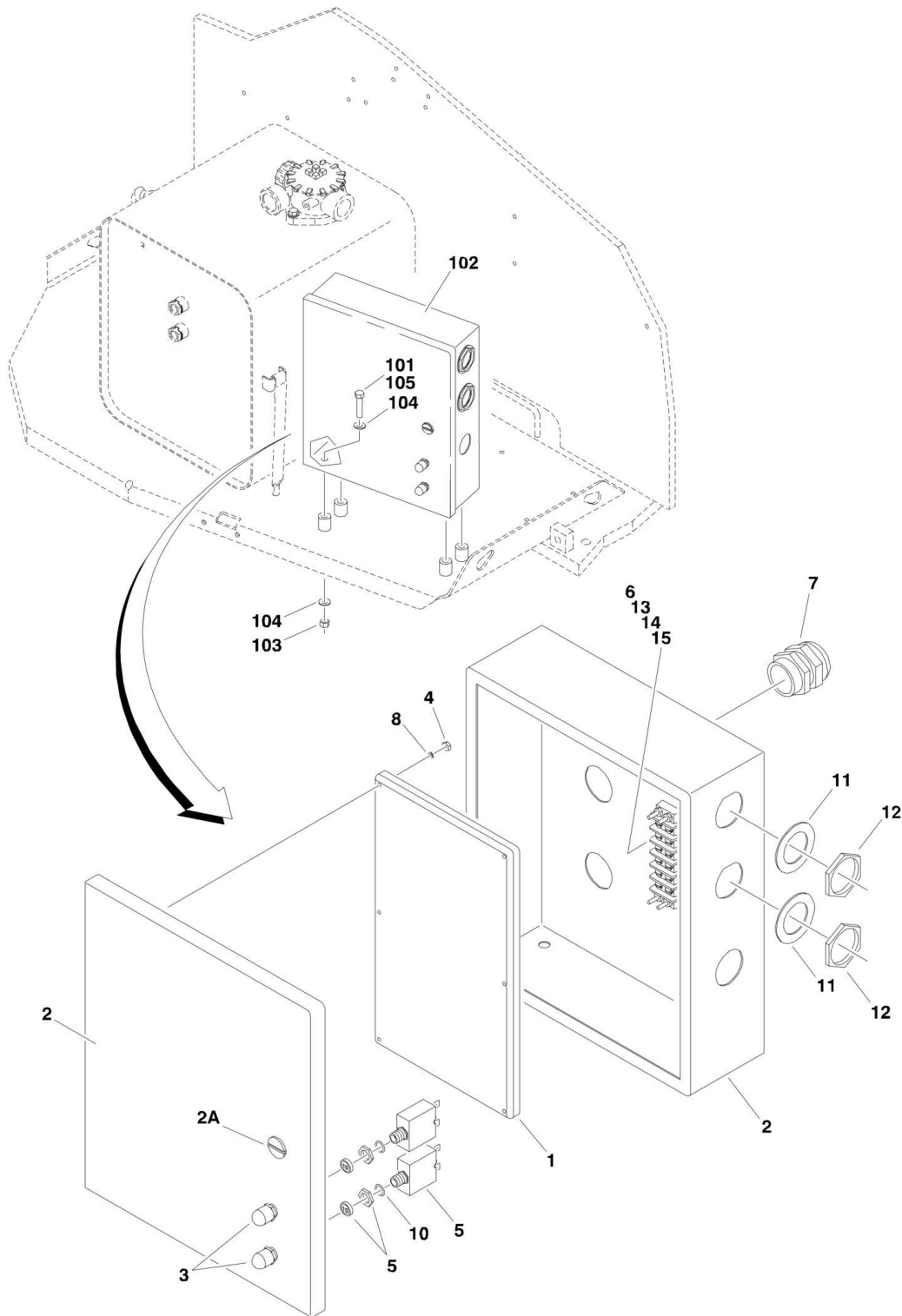
ITEM	PART NUMBER	QTY	DESCRIPTION	REV
		Ref	GROUND CONTROL PANEL ASSEMBLY	
	0861316	Ref	Ground Control Panel Assembly (Prior to SN 0300099756)	C
	1810133	Ref	Ground Control Panel Assembly (SN 0300099756 through 0300219271)	A
1	2420106	1	Gauge, Hourmeter/Battery Capacity	
2	3252663	1	Plate, Ground Controls	
3	3520026	1	Plug, Hole	
4	3520028	2	Plug, Hole	
5	3960447	51 in/1.3m	Seal	
6	4060906	AR	Guard, Switch	
7	4360328	5	Switch, Toggle	
8	4360475	1	Switch, Emergency Stop	
8	7020175	1	Mushroom Head	
8	7020176	1	Block, Contact	
9	4360476	1	Block, Contact	
11	3790012	AR	O-Ring	
12	4360330	1	Switch, Toggle Only (SN 0300099756 through 0300219271)	
		Ref	GROUND CONTROL PANEL INSTALLATION	
	0259672	Ref	Ground Control Panel Installation E600 & M600 (ANSI Spec) (Prior to SN 0300076781)	B
	0273099	Ref	Ground Control Panel Installation E600 & M600 (ANSI Spec) (SN 0300076781 through 0300219271)	C
	0259672	Ref	Ground Control Panel Installation E600 & M600 (ANSI Export and Japanese Specs) (Prior to SN 0300073737)	B
	0273099	Ref	Ground Control Panel Installation E600 & M600 (ANSI Export and Japanese Specs) (SN 0300073737 through 0300219271)	C
	0259668	Ref	Ground Control Panel Installation E600J & M600J (ANSI Spec) (Prior to SN 0300076781)	B
	0273098	Ref	Ground Control Panel Installation E600J & M600J (ANSI Spec) (SN 0300076781 through 0300219271)	C
	0259668	Ref	Ground Control Panel Installation E600J & M600J (ANSI Export and Japanese Specs) (Prior to SN 0300073737)	B
	0273098	Ref	Ground Control Panel Installation E600J & M600J (ANSI Export and Japanese Specs) (SN 0300073737 through 0300219271)	C
	0259669	Ref	Ground Control Panel Installation E600JP & M600JP (ANSI Spec) (Prior to SN 0300076781)	B
	0273097	Ref	Ground Control Panel Installation E600JP & M600JP (ANSI Spec) (SN 0300076781 through 0300219271)	C
	0259669	Ref	Ground Control Panel Installation E600JP & M600JP (ANSI Export and Japanese Specs) (Prior to SN 0300073737)	B
	0273097	Ref	Ground Control Panel Installation E600JP & M600JP (ANSI Export and Japanese Specs) (SN 0300073737 through 0300219271)	C
101	0100011	AR	Locking, Compound	
102		Ref	Ground Control Panel Assembly (See Items 1-12 for Breakdown)	
102	0861316	1	Ground Control Panel Assembly (Prior to SN 0300099756)	
102	1810133	1	Ground Control Panel Assembly (SN 0300099756 through 0300219271)	
103		Ref	Decal - Control Panel Options:	
103	1704442	1	Decal - Control Panel E600 & M600 (ANSI Spec)	
103	1704442	1	Decal - Control Panel E600 & M600 (ANSI Export and Japanese Specs) (Prior to SN 0300073737)	

SECTION 2 - TURNTABLE

ITEM	PART NUMBER	QTY	DESCRIPTION	REV
103	1705735	1	Decal - Control Panel E600 & M600 (ANSI Export and Japanese Specs) (SN 0300073737 through 0300099755)	
103	1706935	1	Decal - Control Panel E600 & M600 (ANSI Export and Japanese Specs) (SN 0300099756 through 0300219271)	
103	1704443	1	Decal - Control Panel E600J & M600J (ANSI Spec)	
103	1704443	1	Decal - Control Panel E600J & M600J (ANSI Export and Japanese Specs) (Prior to SN 0300073737)	
103	1705734	1	Decal - Control Panel E600J & M600J (ANSI Export and Japanese Specs) (SN 0300073737 through 0300099755)	
103	1706936	1	Decal - Control Panel E600J & M600J (ANSI Export and Japanese Specs) (SN 0300099756 through 0300219271)	
103	1704428	1	Decal - Control Panel E600JP & M600JP (ANSI Spec)	
103	1704428	1	Decal - Control Panel E600JP & M600JP (ANSI Export and Japanese Specs) (Prior to SN 0300073737)	
103	1705733	1	Decal - Control Panel E600JP & M600JP (ANSI Export and Japanese Specs) (SN 0300073737 through 0300099755)	
103	1706937	1	Decal - Control Panel E600JP & M600JP (ANSI Export and Japanese Specs) (SN 0300099756 through 0300219271)	
104	3900283	2	Screw, Button Head	
105	4060906	Ref	Guard, Switch Options:	
105	4060906	1	Decal - Control Panel E600 & M600	
105	4060906	1	Decal - Control Panel E600J & M600J	
105	4060906	2	Decal - Control Panel E600JP & M600JP	
106	4360328	Ref	Switch, Toggle Options:	
106	4360328	1	Switch, Toggle E600 & M600	
106	4360328	1	Switch, Toggle E600J & M600J	
106	4360328	2	Switch, Toggle E600JP & M600JP	
107	3790012	AR	O-Ring Options:	
107	3790012	1	O-Ring E600 & M600	
107	3790012	1	O-Ring E600J & M600J	
107	3790012	2	O-Ring E600JP & M600JP	
	0259666	Ref	KEYSWITCH INSTALLATION	B
201	3910804	6	Screw #8-20NC x 1/2in	
202		Ref	Shim Options:	
202	4070987	2	Shim, .015 (Prior to SN 0300175752)	
202	1001151393	1	Shim, Nylon .063 (SN 0300175752 through 0300219271)	
203	4360469	1	Keypad	
203A	2860030	1	Key, Replacement	
	0259670	Ref	MOTOR CONTROL SWITCH INSTALLATION (M600/M600J/M600JP ONLY)	A
301	2920151	1	Light, LED	
301	4460226	2	Socket, Female	
301	4460424	1	Connector - 2 Position	
302	4360274	1	Switch, Push Button	
	0273096	Ref	INDICATOR LIGHT INSTALLATION	A
401	2920151	1	Light, LED	

SECTION 2 - TURNTABLE

FIGURE 2-16. MAIN TERMINAL BOX ASSEMBLY AND INSTALLATION (Prior to SN 0300196439)



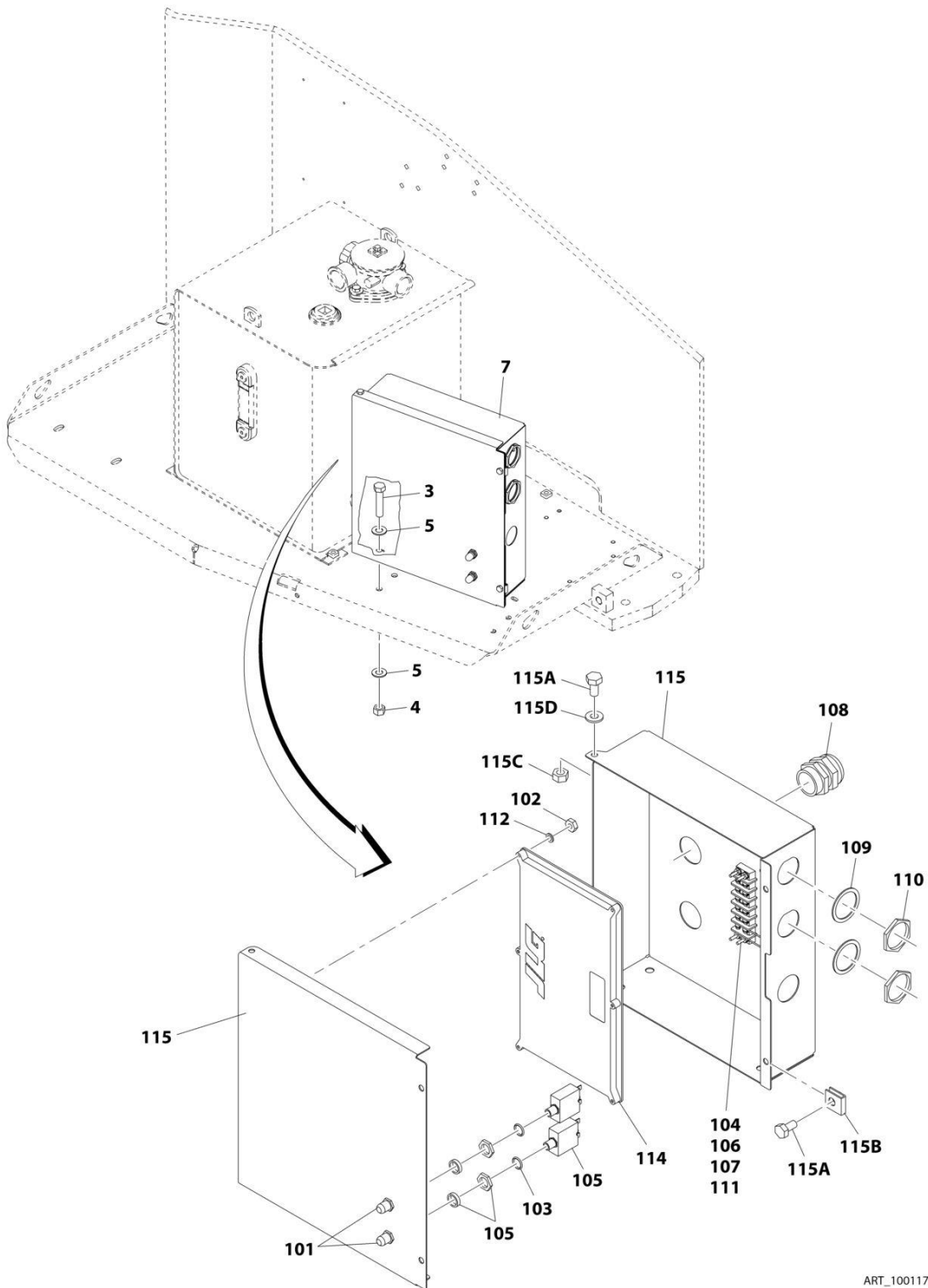
SECTION 2 - TURNTABLE

FIGURE 2-16. MAIN TERMINAL BOX ASSEMBLY AND INSTALLATION (Prior to SN 0300196439)

ITEM	PART NUMBER	QTY	DESCRIPTION	REV
	0861336	Ref	MAIN TERMINAL BOX ASSEMBLY (Prior to SN 0300196439)	G
1		Ref	Module Options:	
		Ref	Note: Re-calibration Required when Replaced.	
1	0610139	NLA	Module (Use p/n 1001109497) (Prior to SN 0300072457)	
1	0610166	NLA	Module (Use p/n 1001109497) (SN 0300072457 through 0300141893)	
1	1001109497	1	Module (SN 0300141894 through 0300219271)	
2	0861317	1	Box Assembly	
2A	See Note	NSS	Latch (Note: Not Available for Purchase)	
3	3300396	2	Cover, Fuse	
4	3310601	10	Nut #6-32NC	
5	4360070	2	Breaker, Circuit - 15Amp	
6	4460007	1	Bar, Buss	
7	4460426	1	Connector, Strain Relief	
8	4760600	10	Lockwasher #6	
10	3790012	2	O-Ring	
11	4460496	2	Lockwasher, Terminal	
12	4460497	2	Nut, Terminal	
13	3990106	1	Limiter, Inrush Current	
14	4460264	2	Jumper, Ground Bus Bar	
15	4750600	4	Flatwasher #6 Regular	
	0259961	Ref	MAIN TERMINAL BOX INSTALLATION (Prior to SN 0300196439)	C
101	0641614	4	Bolt 3/8in-16NC x 1-3/4in	
102	0861336	1	Main Terminal Box Assembly (See Items 1-15 for Breakdown)	
103	3311605	4	Locknut 3/8in-16NC	
104	4711600	8	Flatwasher 3/8in Thin	
105	0100011	AR	Locking, Compound	

SECTION 2 - TURNTABLE

FIGURE 2-17. MAIN TERMINAL BOX ASSEMBLY AND INSTALLATION (SN 0300196439 through 0300219271)



ART_1001175431

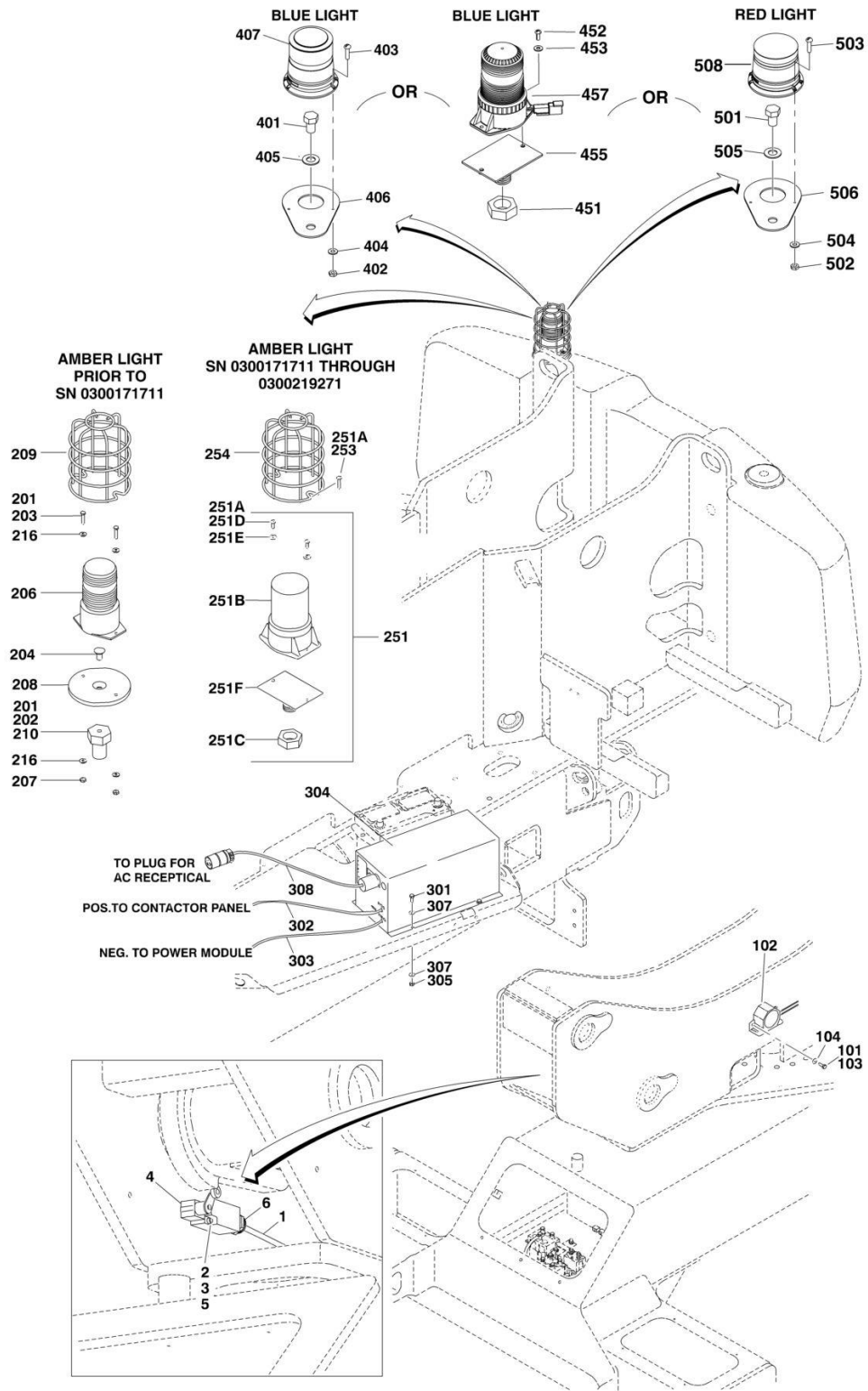
SECTION 2 - TURNTABLE

FIGURE 2-17. MAIN TERMINAL BOX ASSEMBLY AND INSTALLATION (SN 0300196439 through 0300219271)

ITEM	PART NUMBER	QTY	DESCRIPTION	REV
	1001174888	Ref	MAIN TERMINAL BOX INSTALLATION (SN 0300196439 through 0300219271)	C
3	0641614	4	Bolt 3/8 x 1-3/4	
4	3311605	4	Nut 3/8	
5	4711600	8	Washer 3/8	
7	1001175431	1	Main Terminal Box Assembly (See Items 101-115 for Breakdown)	
	1001175431	Ref	MAIN TERMINAL BOX ASSEMBLY (SN 0300196439 through 0300219271)	B
101	3300396	2	Cover, Fuse	
102	3310601	10	Nut #6-32NC	
103	3790012	2	O-Ring	
104	3990106	1	Limiter, Inrush Current	
105	4360070	2	Breaker, Circuit - 15Amp	
106	4460007	1	Bar, Buss	
107	4460264	2	Jumper, Ground Bus Bar	
108	4460426	1	Connector, Strain Relief	
109	4460496	2	Lockwasher, Terminal	
110	4460497	2	Nut, Terminal	
111	4750600	4	Flatwasher #6 Regular	
112	4760600	10	Lockwasher #6	
114	1001109497	1	Module, Ground (Note: Re-calibration Required when Replaced)	
115	1001175273	1	Box Assembly	
115A	0641404	4	Bolt 1/4 x 1/2	
115B	3300353	2	Nut, Tinnerman	
115C	3311405	2	Nut 1/4	
115D	4740518	2	Washer	

SECTION 2 - TURNTABLE

FIGURE 2-18. ELECTRICAL COMPONENT INSTALLATIONS



SECTION 2 - TURNTABLE

FIGURE 2-18. ELECTRICAL COMPONENT INSTALLATIONS

ITEM	PART NUMBER	QTY	DESCRIPTION	REV
	0270114	Ref	LIMIT SWITCH INSTALLATION	E
1	1060341	NLA	Harness, Limit Switch (Use p/n 4923033)	
1	1060341	9 ft/2.7m	Cable, Electrical - 16/2	
2	3310805	2	Nut #8-32NC	
3	3930828	2	Capscrew, Socket Head #8-32 x 1-3/4in	
4		Ref	Switch, Limit Options:	
4	4360322	NLA	Switch, Limit (Use p/n 4360578) (Prior to SN 0300074606)	
4	4360549	NLA	Switch, Limit (Use p/n 4360578) (SN 0300074606 through 0300080973)	
4	4360578	1	Switch, Limit (SN 0300080974 through 0300219271)	
5	4750800	2	Flatwasher #8 Regular	
6	4460968	1	Connector, Strain Relief (SN 0300074606 through 0300219271)	
		Ref	ALARM INSTALLATIONS (OPTIONAL)	
	0270081	Ref	ANSI Spec	A
	0270082	Ref	Japanese Spec	A
101	0100011	AR	Locking, Compound	
102		Ref	Alarm, Motion (Remove ground strap before installation)	
102	0140031	1	ANSI Spec	
102	0140033	1	Japanese Spec	
103	0641406	2	Bolt 1/4in-20NC x 3/4in	
104	4711400	2	Flatwasher 1/4in Thin	
	0270072	Ref	STROBE LIGHT INSTALLATION (AMBER) (OPTIONAL) (Prior to SN 0300171711)	C
201	0100011	AR	Locking, Compound	
202	0630491	1	Bolt, Special	
203		Ref	Hardware Options:	
203	0721008	2	Bolt #10-24NC x 1in (Prior to SN 0300069724)	
203	3911014	2	Screw (SN 0300069724 through 0300219271)	
204	0741606	1	Screw, Flathead Countersunk 3/8in-16NC x 3/4in	
205	2820035	5 in/13cm	Loom (Not Shown)	
206	2920146	NLA	Light, Strobe (Amber) (Note: Use Item 219)	
206	7016319	1	Bulb, Light	
206	7016372	1	Amber Lens	
207		Ref	Nut Options:	
207	3311005	2	Locknut #10-24NC (Prior to SN 0300069724)	
207	3311001	2	Nut #10-24NC (SN 0300069724 through 0300219271)	
208		Ref	Plate, Mounting Options:	
208	3537903	1	Plate, Mounting (Prior to SN 0300069724)	
208	4846698	1	Plate, Mounting (SN 0300069724 through 0300219271)	
209	4060865	1	Guard, Light	
210	4220162	1	Spacer	
216	4751000	4	Flatwasher #10 Regular	
217	4460465	2	Pin, Male (Not Shown) (SN 0300069724 through 0300219271)	
218	4460891	1	Plug, Male, 2 Position (Not Shown) (SN 0300069724 through 0300219271)	
219	0272529	1	Kit Light, Strobe Assembly (Includes Items 201, 203, 205, 206, 207, 208, 209, 210, 216, 217 & 218) (SN 0300069724 through 0300219271)	B
		Ref	STROBE LIGHT INSTALLATION (AMBER) (OPTIONAL)	
	1001149955	Ref	Standard Spec (SN 0300171711 through 0300219271)	A
	1001158612	Ref	UL Spec (SN 0300176432 through 0300219271)	A

SECTION 2 - TURNTABLE

ITEM	PART NUMBER	QTY	DESCRIPTION	REV
		Ref	Note: If machine is equipped with BLUE Strobe Light, see SPECIAL OPTIONS SECTION SkyGuard Kit.	
251	1001150406	1	Strobe Light Assembly	
251A	0100035	AR	Compound, Locking	
251B	2920161	1	Light, Strobe (Amber)	
251B	7016319	1	Bulb, Light	
251B	7016372	1	Amber Lens	
251C	3312602	1	Nut, Jam 1in-8NC	
251D	3900085	2	Screw #10-32NC X 1/2in	
251E	4751000	2	Flatwasher #10 (Wide)	
251F	1001149994	1	Plate, Mounting	
252	1001149818	1	Harness, Strobe Light (Not Shown - See ELECTRICAL SECTION for Breakdown)	
253	3900128	2	Screw #10-24NC x 7/8in (UL Spec Machines Only)	
254	4060865	1	Guard, Light (UL Spec Machines Only)	
	0270203	Ref	INVERTER INSTALLATION - 110V (OPTIONAL)	D
301	0641406	4	Bolt 1/4in-20NC x 3/4in	
302	1060827	1	Cable, Electrical (+)	
303	1060828	1	Cable, Electrical (-)	
304		Ref	Inverter Assembly Options:	
304	2460023	1	Inverter Assembly (Prior to SN 0300064040)	
304	2460037	1	Inverter Assembly (SN 0300064040 through 0300219271)	
305	3311405	4	Locknut 1/4in-20NC	
306	4460248	1	Terminal (Not Shown)	
307	4711400	8	Flatwasher 1/4in Thin	
308	4922390	1	Harness, Wiring (See ELECTRICAL SECTION or Breakdown)	
	1001189196	Ref	BEACON LIGHT INSTALLATION - BLUE (SN 0300200810 through 0300217798)	B
		Ref	Note: For machine Prior to SN 0300200810 equipped with BLUE Strobe Light, see SPECIAL OPTIONS SECTION SkyGuard Kit.	
401	0642612	1	Bolt 1 x 1-1/2	
402	3311005	3	Nut #10	
403	3911012	3	Screw #10 x 3/4	
404	4711000	3	Washer #10	
405	4712600	1	Washer 1	
406	1001142694	1	Bracket, Mounting	
407	1001143431	1	Light, Beacon	
407	4460897	1	Receptacle, Female - 2 Position	
407	4460943	2	Pin, Male	
408	1001149570	1	Beacon Harness (Not Shown - See ELECTRICAL SECTION for Breakdown)	
	1001206700	Ref	BEACON LIGHT INSTALLATION - BLUE (SN 0300217799 through 0300219271)	B
451	3312602	1	Nut, Jam 1in	
452	3900085	2	Screw #10 X 1/2	
453	4751000	2	Washer #10	
454	1001149570	1	Beacon Harness (Not Shown - See ELECTRICAL SECTION for Breakdown)	
455	1001149994	1	Plate, Mounting	
457	1001200910	1	Light, Beacon	
457	4460897	1	Receptacle, Female - 2 Position	
457	4460464	2	Pin, Male	

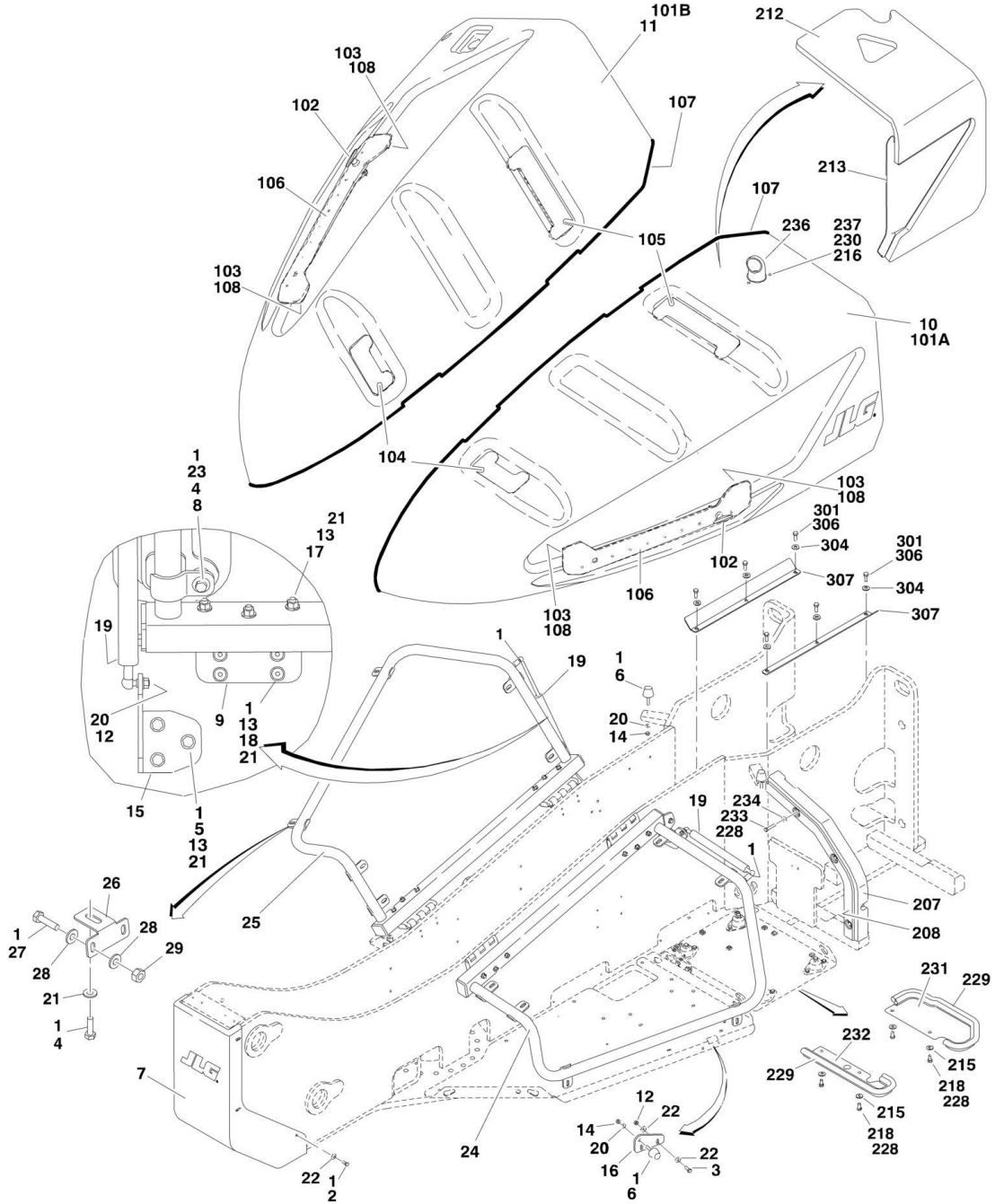
SECTION 2 - TURNTABLE

ITEM	PART NUMBER	QTY	DESCRIPTION	REV
	1001207317	Ref	BEACON LIGHT INSTALLATION - RED	A
501	0642612	1	Bolt 1 x 1-1/2	
502	3311005	3	Nut #10	
503	3911012	3	Screw #10 x 3/4	
504	4711000	3	Washer #10	
505	4712600	1	Washer 1	
506	1001142694	1	Plate, Mounting	
507	1001149570	1	Beacon Harness (Not Shown - See ELECTRICAL SECTION for Breakdown)	
508	1001197067	1	Light, Beacon	
508	4460897	1	Receptacle, Female - 2 Position	
508	4460464	2	Pin, Male	

SECTION 2 - TURNTABLE

FIGURE 2-19. HOODS INSTALLATION

NOTE: REPLACEMENT DECALS
MUST BE ORDERED SEPARATELY
- SEE DECALS SECTION FOR BREAKDOWN.



SECTION 2 - TURNTABLE

FIGURE 2-19. HOODS INSTALLATION

ITEM	PART NUMBER	QTY	DESCRIPTION	REV
	0259830	Ref	HOODS INSTALLATION (Prior to SN 0300196439)	D
	1001175521	Ref	HOODS INSTALLATION (SN 0300196436 through 0300206692)	G
	1001192373	Ref	HOODS INSTALLATION (SN 0300206693 through 0300219271)	A
1	0100011	AR	Locking, Compound	
2	0641506	6	Bolt 5/16in-18NC x 3/4in	
3	0641508	4	Bolt 5/16in-18NC x 1in	
4	0641606	AR	Bolt 3/8in-16NC x 3/4in	
5		Ref	Bolt 3/8in-16NC Options:	
5	0641607	AR	Bolt 3/8in-16NC x 7/8in	
5	0641612	AR	Bolt 3/8in-16NC x 1-1/2in	
6	0940088	4	Bumper	
7	1670930	1	Cover, End	
8	2080051	12	Clamp (Prior to SN 0300196439)	
8	1001175596	8	Clamp (SN 0300196439 through 0300219271)	
9	2600262	4	Hinge, Offset	
10	2680468	1	Hood Assembly - Right Side (See Items 101-108 for Breakdown)	
11	2680477	1	Hood Assembly - Left Side (See Items 101-108 for Breakdown)	
12	3311505	6	Locknut 5/16in-18NC	
13	3311605	AR	Locknut 3/8in-16NC (Prior to SN 0300196439)	
13	3311601	AR	Nut 3/8in-16NC (SN 0300196439 through 0300219271)	
14	3321501	4	Locknut 5/16in-24NF	
15	3571974	2	Plate, Gas Spring (Prior to SN 0300206693)	
15	1001175575	2	Plate, Gas Spring (SN 0300206693 through 0300219271)	
16	3572063	2	Plate, Latch	
17	3900282	12	Screw, Button 3/8in-16NC x 2-3/4in	
17	3900232	12	Screw, Button 3/8in-16NC x 1-1/4in	
18		Ref	Hardware Options:	
18	3900283	16	Screw, Button 3/8in-16NC x 3/4in	
18	0641610	16	Bolt 3/8in-16NC x 1-1/4in	
19	4160184	2	Spring, Gas (Prior to SN 0300206693)	
19	4160194	2	Spring, Gas (SN 0300206693 through 0300219271)	
20	4711500	6	Flatwasher 5/16in Thin	
21	4711600	AR	Flatwasher 3/8in Thin	
22	4751500	14	Flatwasher 5/16in	
23	4751600	12	Flatwasher 3/8in	
24	4846132	1	Support, Hood - Right Side (Prior to SN 0300196439)	
24	1001173547	1	Support, Hood - Right Side (SN 0300196439 through 0300206692)	
24	1001191596	1	Support, Hood - Right Side (SN 0300206693 through 0300219271)	
25	4846142	1	Support, Hood - Left Side (Prior to SN 0300196439)	
25	1001173548	1	Support, Hood - Left Side (SN 0300196439 through 0300206692)	
25	1001191597	1	Support, Hood - Left Side (SN 0300206693 through 0300219271)	
26	1001174542	4	Bracket, Clamp (SN 0300196439 through 0300219271)	
27	0641407	8	Bolt 1/4in-20NC x 7/8in (SN 0300196439 through 0300219271)	
28	4751400	16	Flatwasher 1/4 (SN 0300196439 through 0300219271)	
29	3311401	8	Nut 1/4in-20NC (SN 0300196439 through 0300219271)	
		Ref	HOOD ASSEMBLIES	
	2680468	Ref	Right Side	E
	2680477	Ref	Left Side	E

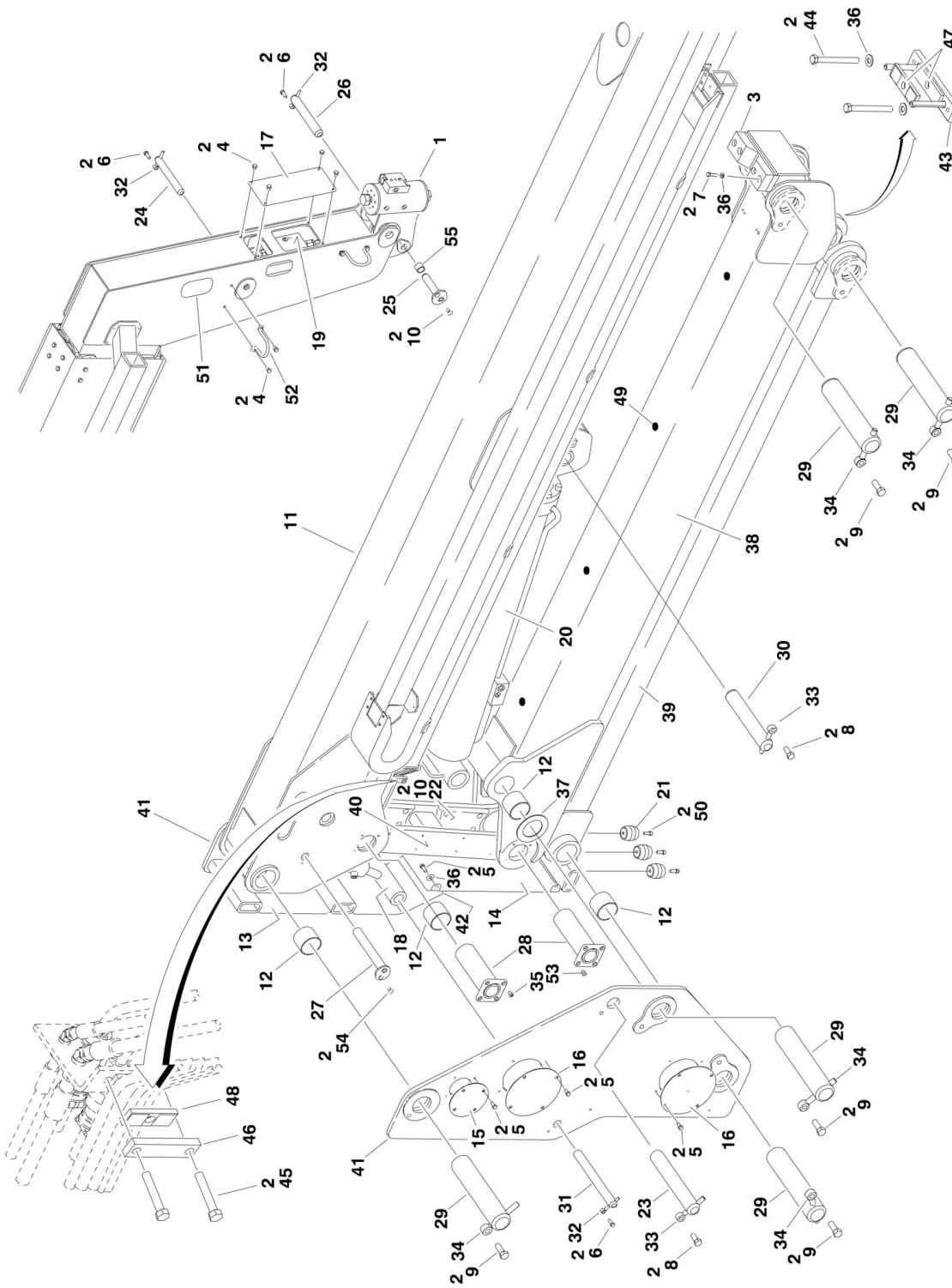
SECTION 2 - TURNTABLE

ITEM	PART NUMBER	QTY	DESCRIPTION	REV
		Ref	Note: Replacement Decals Must Be Ordered Separately - See DECALS SECTION.	
101	See Note	NSS	Hood, Molded (Note: Purchase Item #10 or #11 as Complete Assembly)	
102		Ref	Latch (1 Per Assembly) Options:	
102	2940124	2	Non-Lockable	
102	7027859	2	Lockable	
103	3340877	12	Pad, Rubber (6 Per Assembly)	
104	3571856	2	Plate, Front Support (1 Per Assembly)	
105	3571857	2	Plate, Rear Support (1 Per Assembly)	
106	3571858	2	Plate, Handle (1 Per Assembly)	
107	3960464	146 ft /44.5m	Seal (73ft/22.5m Per Assembly)	
108	0100081	AR	Loctite #454	
		Ref	NOISE REDUCTION INSTALLATION(M600/M600J/M600JP ONLY)	
	0259958	Ref	Yanmar Engine (Prior to SN 0300088375)	6-D
	0274707	Ref	Kubota Engine with Standard Battery (SN 0300088375 through 0300182862)	F
	1001159359	Ref	Kubota Engine with Standard Battery (SN 0300182863 through 0300219271)	F
	1001196512	Ref	Kubota Engine with AGM Battery	B
207	2680482	1	Trim, Hood	
208	2820126	1	Insulator	
212	2820122	1	Insulation	
213	2820123	1	Insulation	
215	4751500	4	Flatwasher 5/16in Regular	
216	3311605	3	Locknut 3/8in-16NC	
218	0641606	4	Bolt 3/8in-16NC x 3/4in	
228	0100011	AR	Locking, Compound	
229	3960464	4 ft/1.2m	Seal	
230	4711600	6	Flatwasher 3/8in Thin	
231	3572348	1	Plate, Cover	
232	3572349	1	Plate, Cover	
233	0641514	3	Bolt 5/16in-18NC x 1-3/4in	
234	4751500	3	Flatwasher 5/16in Regular	
236	4846210	1	Exhaust Tube Weldment	
237	3900283	3	Screw, Button Head	
	0259961	Ref	WIRING COVER PLATE INSTALLATION - RIGHT SIDE (Prior to SN 0300196439)	C
	0270072	Ref	WIRING COVER PLATE INSTALLATION - LEFT SIDE (OPTIONAL - USED WITH STROBE LIGHT OPTION ONLY)	C
301	0100011	AR	Compound, Locking	
304	4711600	6	Flatwasher 3/8in Thin (3 per Side)	
306	0641606	6	Bolt 3/8in-16NC x 3/4in (3 per Side)	
307	3572179	2	Plate, Cover(1 per Side)	

SECTION 3 - BOOM

SECTION 3 - BOOM

FIGURE 3-1. BOOM INSTALLATION - E600 AND M600



SECTION 3 - BOOM

FIGURE 3-1. BOOM INSTALLATION - E600 AND M600

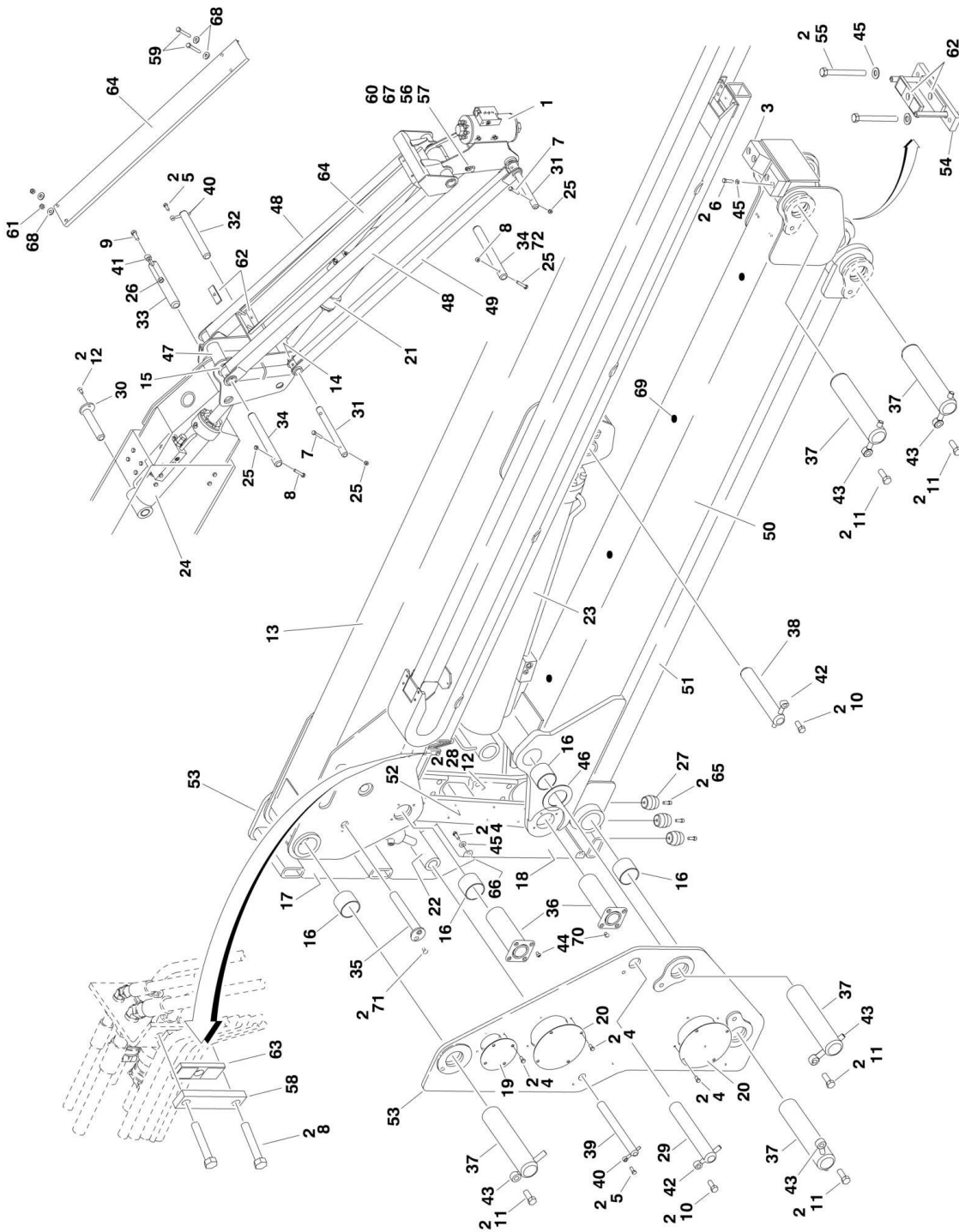
ITEM	PART NUMBER	QTY	DESCRIPTION	REV
	0259548	Ref	BOOM INSTALLATION - E600 AND M600	G
1	0060049	1	Platform Rotator Assembly (See ROTATOR ASSEMBLIES for Breakdown)	
2	0100011	AR	Locking, Compound	
3	0561380	2	Block, Boom Rest	
4	0641604	8	Bolt 3/8in-16NC x 1/2in	
5	0641606	32	Bolt 3/8in-16NC x 3/4in	
6	0641608	3	Bolt 3/8in-16NC x 1in	
7	0641612	4	Bolt 3/8in-16NC x 1-1/2in	
8	0642012	2	Bolt 5/8in-11NC x 1-1/2in	
9	0642216	5	Bolt 3/4in-10NC x 2in	
10	0741607	17	Screw, Countersunk 3/8in-16NC x 7/8in	
11	0801200	1	Main Boom Assembly (See MAIN BOOM ASSEMBLY for Breakdown)	
12	0962297	12	Bushing	
13	1670911	1	Cover, Upright Upper	
14	1670912	1	Cover, Upright Lower	
15	1670913	2	Cover, Pin	
16	1670928	4	Cover, Pin	
17	1670960	1	Cover, Fly Nose	
18	1683865	1	Master Cylinder Assembly (See CYLINDER SECTION for Breakdown)	
19	1683867	1	Platform Level Cylinder Assembly (See CYLINDER SECTION for Breakdown)	
20	1683876	NLA	Lift Cylinder Assembly (Use p/n 1001228014) (Original Equipment) (See CYLINDER SECTION for Breakdown)	
20	1001228014	1	Lift Cylinder Assembly (Service Replacement) (See CYLINDER SECTION for Breakdown)	
21	4160187	3	Spring, Rubber	
22	3340873	4	Pad, Hose Guide	
23	3422568	1	Pin	
24	3422578	1	Pin	
25	3422885	1	Pin	
26	3422582	1	Pin	
27	3422808	1	Pin	
28	3422811	2	Pin	
29	3422830	5	Pin	
30	3422833	1	Pin	
31	3422834	1	Pin	
32	3841143	3	Keeper, Pin 3/8in	
33	3841258	2	Keeper, Pin 5/8in	
34	3841287	5	Keeper, Pin 3/4in	
35	3900280	8	Screw, Torx 3/8in-16NC x 5/8in	
36	4711600	14	Flatwasher, 3/8in Thin	
37	4740492	2	Thrustwasher	
38	4846066	1	Tower Boom Weldment	
39	4846067	1	Tower Link Weldment	
40	4846074	1	Upright Link Weldment	
41	4846075	1	Upright Weldment	
42	3960418	10 in /25cm	Seal	

SECTION 3 - BOOM

ITEM	PART NUMBER	QTY	DESCRIPTION	REV
43	0362929	1	Clamp, Bar	
44	0630539	2	Capscrew 3/8in-16NC x 2-1/4in	
45	0641618	2	Bolt 3/8in-16NC x 2-1/4in	
46	1320277	1	Clamp, Hose	
47	3340860	2	Pad, Rubber	
48	3340861	2	Pad, Rubber	
49	3520034	4	Plug	
50	3931616	3	Bolt, Socket Head 3/8in-16NC x 2in	
51	4060805	14 in /36cm	Flex-Trim	
52	3841340	2	Rod, Hose Loop	
53	0100019	AR	Locking, Compound	
54	0741606	1	Bolt 3/8in-16NC x 3/4in	
55	0961951	2	Bushing	

SECTION 3 - BOOM

FIGURE 3-2. BOOM INSTALLATION - E600J AND M600J



SECTION 3 - BOOM

FIGURE 3-2. BOOM INSTALLATION - E600J AND M600J

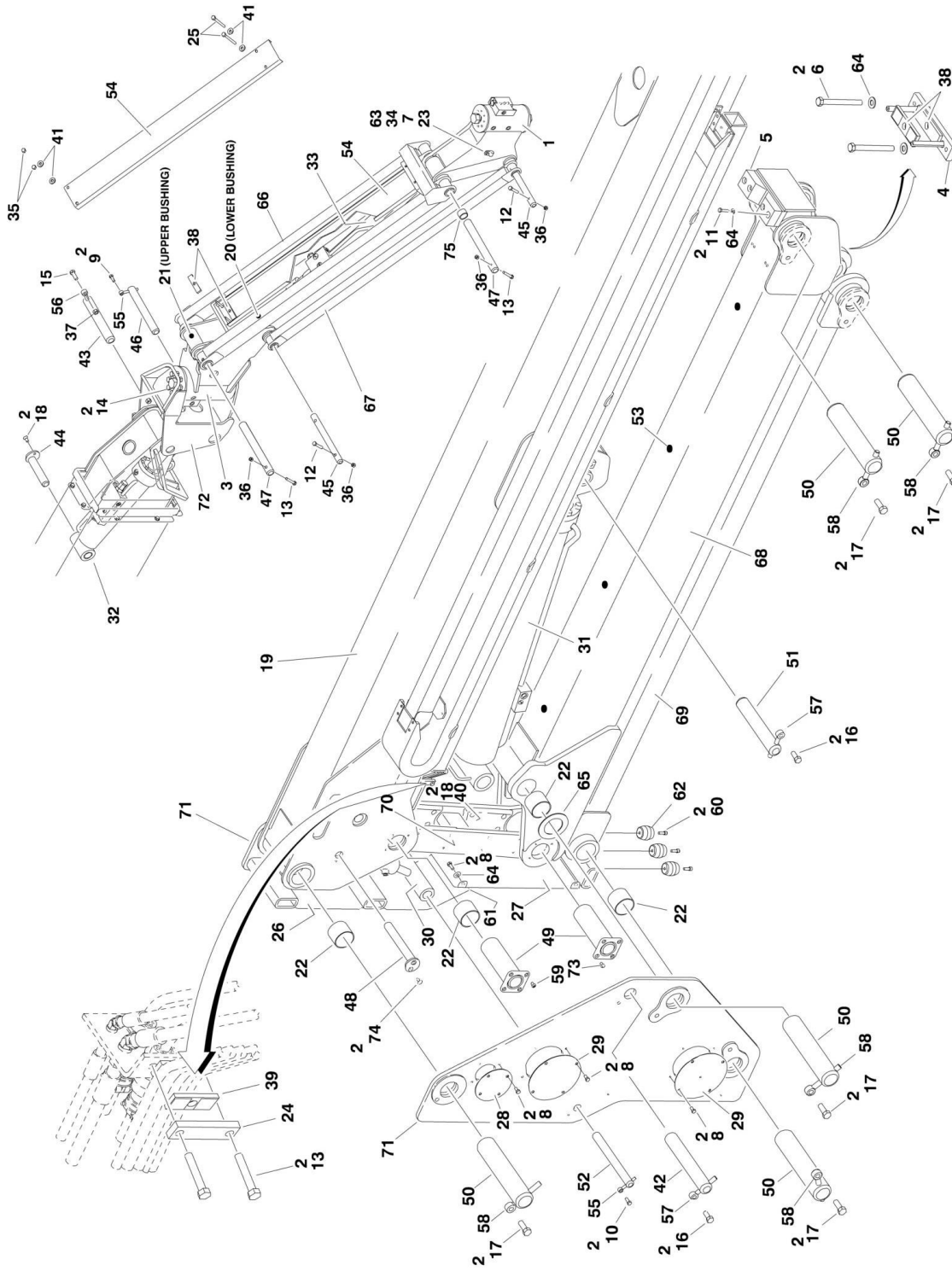
ITEM	PART NUMBER	QTY	DESCRIPTION	REV
	0259549	Ref	BOOM INSTALLATION - E600J AND M600J	K
1	0060050	1	Platform Rotator Assembly (See ROTATOR ASSEMBLIES for Breakdown) (Prior to SN 0300201804)	
1	0060096	1	Platform Rotator Assembly (See ROTATOR ASSEMBLIES for Breakdown) (SN 0300201804 through 0300219271)	
2	0100011	AR	Locking, Compound	
3	0561380	2	Block, Boom Rest	
4	0641606	32	Bolt 3/8in-16NC x 3/4in	
5	0641608	2	Bolt 3/8in-16NC x 1in	
6	0641612	4	Bolt 3/8in-16NC x 1-1/2in	
7	0641616	4	Bolt 3/8in-16NC x 2in	
8	0641618	4	Bolt 3/8in-16NC x 2-1/4in	
9	0641811	1	Bolt 1/2in-13NC x 1-3/8in	
10	0642012	2	Bolt 5/8in-11NC x 1-1/2in	
11	0642216	5	Bolt 3/4in-10NC x 2in	
12	0741607	18	Screw, Countersunk 3/8in-16NC x 7/8in	
13	0801207	1	Main Boom Assembly (See MAIN BOOM ASSEMBLY for Breakdown)	
14		Ref	Bushing Options:	
14	0961947	AR	Bushing (Prior to SN 0300144013)	
14	0962292	AR	Bushing (SN 0300144013 through 0300219271)	
15	0961951	2	Bushing	
16	0962297	12	Bushing	
17	1670911	1	Cover, Upright Upper	
18	1670912	1	Cover, Upright Lower	
19	1670913	2	Cover, Pin	
20	1670928	4	Cover, Pin	
21		Ref	Jib Cylinder Assembly Options (See CYLINDER SECTION for Breakdown):	
21	1683959	NLA	Jib Cylinder Assembly (Use p/n 1001140282) (Prior to SN 0300163480)	
21	1001140282	1	Jib Cylinder Assembly (SN 0300163480 through 0300219271)	
22	1683866	1	Master Cylinder Assembly (See CYLINDER SECTION for Breakdown)	
23	1683876	NLA	Lift Cylinder Assembly (Use p/n 1001228014) (Original Equipment) (See CYLINDER SECTION for Breakdown)	
23	1001228014	1	Lift Cylinder Assembly (Service Replacement) (See CYLINDER SECTION for Breakdown)	
24		Ref	Level Cylinder Assembly Options (See CYLINDER SECTION for Breakdown):	
24	1683926	NLA	Level Cylinder Assembly (Use p/n 1001140596) (Prior to SN 0300163480)	
24	1001140596	1	Level Cylinder Assembly (SN 0300163480 through 0300219271)	
25	3311605	6	Locknut 3/8in-16NC	
26	3311805	1	Locknut 1/2in-13NC	
27	4160187	3	Spring, Rubber	
28	3340873	4	Pad, Hose Guide	
29	3422568	1	Pin	
30	3422583	1	Pin	
31	3422791	2	Pin	
32	3422792	1	Pin	

SECTION 3 - BOOM

ITEM	PART NUMBER	QTY	DESCRIPTION	REV
33	3422793	1	Pin	
34	3422794	2	Pin	
35	3422808	1	Pin	
36	3422811	2	Pin	
37	3422830	5	Pin	
38	3422833	1	Pin	
39	3422834	1	Pin	
40	3841143	2	Keeper, Pin 3/8in	
41	3841203	1	Keeper, Pin 1/2in	
42	3841258	2	Keeper, Pin 5/8in	
43	3841287	5	Keeper, Pin 3/4in	
44	3900280	8	Screw, Torx 3/8in-16NC x 5/8in	
45	4711600	14	Flatwasher, 3/8in Thin	
46	4740492	2	Thrustwasher	
47	4845925	1	Pivot Weldment	
48	4846278	1	Link, Jib (Top)	
49		Ref	Link, Jib (Bottom) Options:	
49	4845927	NLA	Link, Jib (Use p/n 1001094670) (Prior to SN 0300132103)	
49	1001094670	2	Link, Jib (SN 0300132103 through 0300219271)	
50	4846066	1	Tower Boom Weldment	
51	4846067	1	Tower Link Weldment	
52	4846074	1	Upright Link Weldment	
53	4846075	1	Upright Weldment	
54	0362929	1	Clamp, Bar	
55	0630539	2	Capscrew 3/8in-16NC x 2-1/4in	
56	0641406	2	Bolt 1/4in-20NC x 3/4in	
57	1320070	2	Clamp, Cable	
58	1320277	1	Clamp, Hose	
59	0641518	2	Bolt 5/16in-18NC x 2-1/4in	
60	3311405	2	Locknut 1/4in-20NC	
61	3311501	8	Nut, 5/16in-18NC	
62	3340860	6	Pad, Rubber	
63	3340861	2	Pad, Rubber	
64	3572551	2	Channel, Hose Carrier	
65	3931616	3	Bolt, Socket Head 3/8in-16NC x 2in	
66	3960418	10 in /25cm	Seal	
67	4711400	2	Flatwasher 1/4in Thin	
68	4751500	6	Flatwasher 5/16in Regular	
69	3520034	4	Plug, Hole	
70	0100019	AR	Locking, Compound	
71	0741606	1	Bolt 3/8in-16NC x 3/4in	
72	0962257	2	Bushing	

SECTION 3 - BOOM

FIGURE 3-3. BOOM INSTALLATION - E600JP AND M600JP



SECTION 3 - BOOM

FIGURE 3-3. BOOM INSTALLATION - E600JP AND M600JP

ITEM	PART NUMBER	QTY	DESCRIPTION	REV
	0270279	Ref	BOOM INSTALLATION - E600JP AND M600JP	K
1	0060056	1	Platform Rotator Assembly (See ROTATOR ASSEMBLIES for Breakdown)	
2	0100011	AR	Locking, Compound	
3	0060057	1	Jib Sideswing Rotator Assembly (See ROTATOR ASSEMBLIES for Breakdown) (Note: Includes Items 20 & 21)	
4	0362929	1	Clamp, Bar	
5	0561380	2	Block, Boom Rest	
6	0630539	2	Capscrew 3/8in-16NC x 2-1/4in	
7	0641406	2	Bolt 1/4in-20NC x 3/4in	
8	0641606	32	Bolt 3/8in-16NC x 3/4in	
9	0641607	1	Bolt 3/8in-16NC x 7/8in	
10	0641608	1	Bolt 3/8in-16NC x 1in	
11	0641612	4	Bolt 3/8in-16NC x 1-1/2in	
12	0641616	4	Bolt 3/8in-16NC x 2in	
13	0641618	4	Bolt 3/8in-16NC x 2-1/4in	
14	0641810	8	Bolt 1/2in-13NC x 1-1/4in	
15	0641812	1	Bolt 1/2in-13NC x 1-1/2in	
16	0642012	2	Bolt 5/8in-11NC x 1-1/2in	
17	0642216	5	Bolt 3/4in-10NC x 2in	
18	0741607	17	Screw, Countersunk 3/8in-16NC x 7/8in	
19	0801239	1	Main Boom Assembly (See MAIN BOOM ASSEMBLY for Breakdown)	
20		Ref	Bushing Options: (Note: Part of Item 3)	
20	0961947	AR	Bushing (Prior to SN 0300144013)	
20	0962292	AR	Bushing (SN 0300144013 through 0300219271)	
21	0961951	2	Bushing (Note: Part of Item 3)	
22	0962297	12	Bushing	
23	1320070	2	Clamp, Cable	
24	1320277	1	Clamp, Hose	
25	0641518	2	Bolt 5/16in-18NC x 2-1/4in	
26	1670911	1	Cover, Upright Upper	
27	1670912	1	Cover, Upright Lower	
28	1670913	2	Cover, Pin	
29	1670928	4	Cover, Pin	
30	1683866	1	Master Cylinder Assembly (See CYLINDER SECTION for Breakdown)	
31	1683876	1	Lift Cylinder Assembly (Use p/n 1001228014) (Original Equipment) (See CYLINDER SECTION for Breakdown)	
31	1001228014	1	Lift Cylinder Assembly (Service Replacement) (See CYLINDER SECTION for Breakdown)	
32		Ref	Level Cylinder Assembly Options (See CYLINDER SECTION for Breakdown):	
32	1683926	NLA	Level Cylinder Assembly (Use p/n 1001140596) (Prior to SN 0300163480)	
32	1001140596	1	Level Cylinder Assembly (SN 0300163480 through 0300219271)	
33		Ref	Jib Cylinder Assembly Options (See CYLINDER SECTION for Breakdown):	
33	1683959	NLA	Jib Cylinder Assembly (Use p/n 1001140282) (Prior to SN 0300163480)	
33	1001140282	1	Jib Cylinder Assembly (SN 0300163480 through 0300219271)	

SECTION 3 - BOOM

ITEM	PART NUMBER	QTY	DESCRIPTION	REV
34	3311405	2	Locknut 1/4in-20NC	
35	3311501	4	Nut, 5/16in-18NC	
36	3311605	6	Locknut 3/8in-16NC	
37	3311805	1	Locknut 1/2in-13NC	
38	3340860	6	Pad, Rubber	
39	3340861	2	Pad, Rubber	
40	3340873	4	Pad, Hose Guide	
41	4751500	6	Flatwasher 5/16in Regular	
42	3422568	1	Pin	
43	3422576	1	Pin	
44	3422583	1	Pin	
45	3422791	2	Pin	
46	3422792	1	Pin	
47	3422794	2	Pin	
48	3422808	1	Pin	
49	3422811	2	Pin	
50	3422830	5	Pin	
51	3422833	1	Pin	
52	3422834	1	Pin	
53	3520034	4	Plug, Hole	
54	3572551	2	Channel, Hose Carrier	
55	3841143	2	Keeper, Pin 3/8in	
56	3841203	1	Keeper, Pin 1/2in	
57	3841258	2	Keeper, Pin 5/8in	
58	3841287	5	Keeper, Pin 3/4in	
59	3900280	8	Screw, Torx 3/8in-16NC x 5/8in	
60	3931616	3	Bolt, Socket Head 3/8in-16NC x 2in	
61	3960418	10 in /25cm	Seal	
62	4160187	3	Spring, Rubber	
63	4711400	2	Flatwasher 1/4in Thin	
64	4711600	14	Flatwasher, 3/8in Thin	
65	4740492	2	Thrustwasher	
66	4846278	1	Link, Jib (Top)	
67		Ref	Link, Jib (Bottom) Options:	
67	4845927	NLA	Link, Jib (Use p/n 1001094670) (Prior to SN 0300132103)	
67	1001094670	2	Link, Jib (SN 0300132103 through 0300219271)	
68	4846066	1	Tower Boom Weldment	
69	4846067	1	Tower Link Weldment	
70	4846074	1	Upright Link Weldment	
71	4846075	1	Upright Weldment	
72	4846258	1	Pivot Weldment	
73	0100019	AR	Locking, Compound	
74	0741606	1	Bolt 3/8in-16NC x 3/4in	
75	0962257	2	Bushing	

SECTION 3 - BOOM

FIGURE 3-4. MAIN BOOM ASSEMBLY

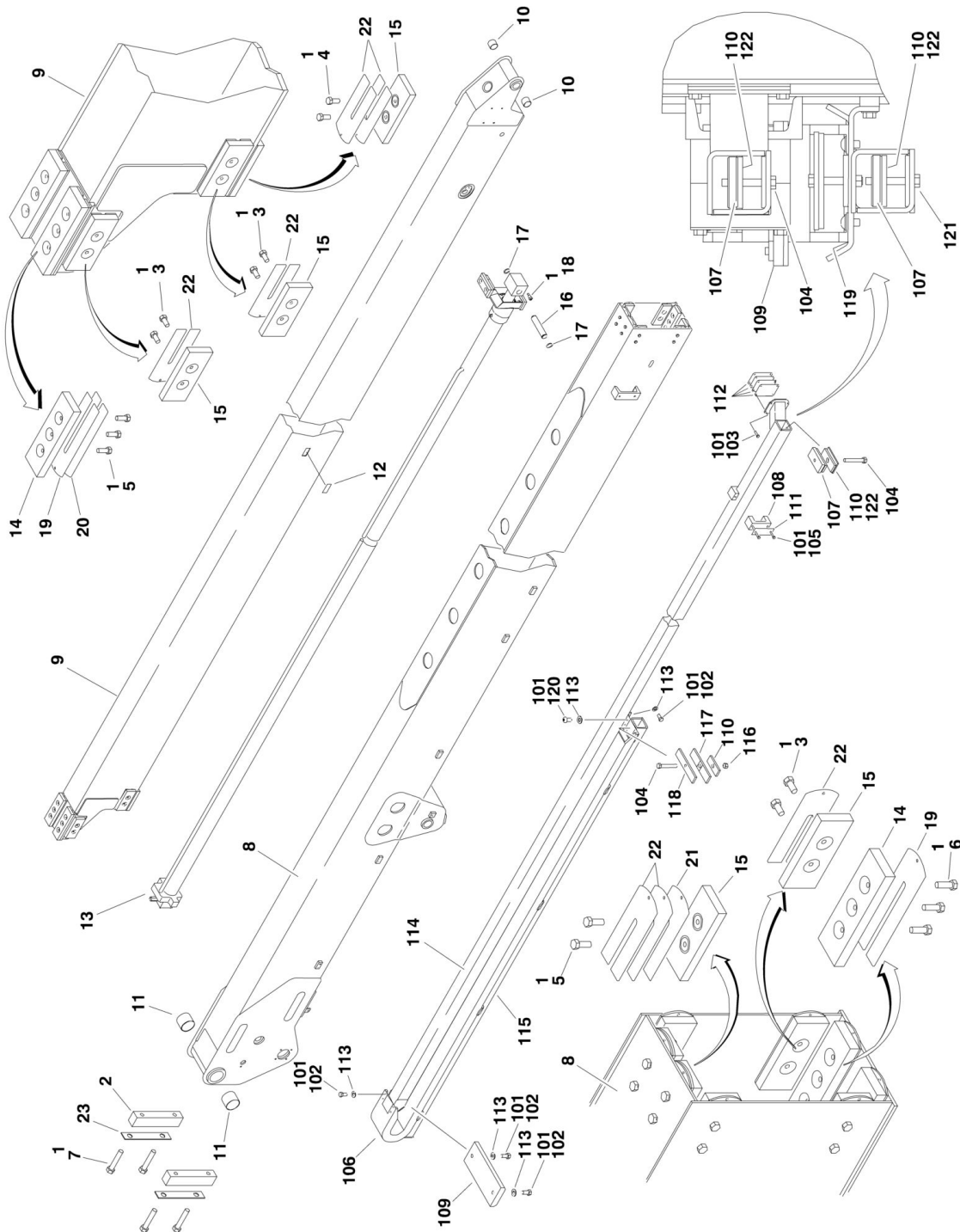


FIGURE 3-4. MAIN BOOM ASSEMBLY

ITEM	PART NUMBER	QTY	DESCRIPTION	REV
		Ref	MAIN BOOM ASSEMBLY	
	0801200	Ref	Main Boom Assembly E600/M600	C
	0801207	Ref	Main Boom Assembly E600J/M600J	E
	0801239	Ref	Main Boom Assembly E600JP/M600JP	E
1	0100011	AR	Locking, Compound	
2	0561185	2	Block, Telescope Attach	
3	0641606	16	Bolt 3/8in-16NC x 3/4in	
4	0641607	4	Bolt 3/8in-16NC x 7/8in	
5	0641608	10	Bolt 3/8in-16NC x 1in	
6	0641609	6	Bolt 3/8in-16NC x 1-1/8in	
7	0641616	4	Bolt 3/8in-16NC x 2in	
8		Ref	Base Boom Weldment Options:	
8		Ref	Base Boom Weldment E600 & M600	
8	0801201	NLA	Base Boom Weldment (Use p/n 0801599) (Prior to SN 0300137278)	
8	0801599	1	Base Boom Weldment (SN 0300137278 through 0300219271)	
8	0801208	1	Base Boom Weldment E600J & M600J	
8	0801208	NLA	Base Boom Weldment (Use p/n 0801606) (Prior to SN 0300137278)	
8	0801606	1	Base Boom Weldment (SN 0300137278 through 0300219271)	
8	0801237	1	Base Boom Weldment E600JP & M600JP	
8	0801237	NLA	Base Boom Weldment (Use p/n 0801611) (Prior to SN 0300137278)	
8	0801611	1	Base Boom Weldment (SN 0300137278 through 0300219271)	
9		Ref	Fly Boom Weldment Options:	
9	0801202	1	Fly Boom Weldment E600 & M600	
9		Ref	Fly Boom Weldment E600J & M600J	
9	0801209	NLA	Fly Boom Weldment (Use p/n 0801582) (Prior to SN 0300099584)	
9	0801582	1	Fly Boom Weldment (SN 0300099584 through 0300219271)	
9		Ref	Fly Boom Weldment E600JP & M600JP	
9	0801238	NLA	Fly Boom Weldment (Use p/n 0801583) (Prior to SN 0300099584)	
9	0801583	1	Fly Boom Weldment (SN 0300099584 through 0300219271)	
10		Ref	Bearing Options:	
10	Not Required	0	Bearing E600 & M600	
10	0961948	2	Bearing E600J & M600J	
10	0961948	2	Bearing E600JP & M600JP	
11	0962297	2	Bearing	
12	1670836	1	Cover, Boom	
13		Ref	Telescope Cylinder Assembly Options (See CYLINDER SECTION for Breakdown):	
13	1684009	1	Telescope Cylinder Assembly E600 & M600	
13	1684010	1	Telescope Cylinder Assembly E600J & M600J (Use p/n 1001228017) (Original Equipment)	
13	1001228017	1	Telescope Cylinder Assembly E600J & M600J (Service Replacement)	
13	1684010	1	Telescope Cylinder Assembly E600JP & M600JP (Use p/n 1001228017) (Original Equipment)	

SECTION 3 - BOOM

ITEM	PART NUMBER	QTY	DESCRIPTION	REV
13	1001228017	1	Telescope Cylinder Assembly E600JP & M600JP (Service Replacement)	
14	3340871	4	Pad	
15	3340881	12	Pad	
16	3422457	1	Pin	
17	3760133	2	Ring, Retaining	
18	3900259	4	Screw, Shoulder	
19	4070863	AR	Shim #11Ga	
20	4070864	AR	Shim #18Ga	
21	4070897	AR	Shim #18Ga	
22	4070898	AR	Shim #11Ga	
23	4070929	AR	Shim #16Ga	
		Ref	POWER TRACK ASSEMBLY	
	0259838	Ref	Power Track Assembly E600/M600	E
	0259837	Ref	Power Track Assembly E600J/E600JP/M600J/M600JP	G
101	0100011	AR	Locking, Compound	
102	0641606	14	Bolt 3/8in-16NC x 3/4in	
103		Ref	Bolt Options:	
103	0641608	4	Bolt 3/8in-16NC x 1in E600/M600	
103	0641611	4	Bolt 3/8in-16NC x 1-3/8in E600J/E600JP/M600J/M600JP	
104	0641620	AR	Bolt 3/8in-16NC x 2-1/2in	
105	0641640	2	Bolt 3/8in-16NC x 5in	
106		Ref	Powertrack Options:	
106	1180357	1	Powertrack E600/M600	
106	1180356	1	Powertrack E600J/E600JP/M600J/M600JP	
106	7020266	4	Bar (Top Plastic)	
106	7020265	4	Link (Inner)	
106	7020264	12	Link (Outer)	
106	7020262	6	Ring, Retaining	
106	7020260	4	Foot, Mounting	
106	7020261	6	Pin (Center)	
106	7026182	2	Roller, Poly	
106	7026170	2	Bar, Aluminum	
107		Ref	Clamp, Hose Options:	
107	1320249	2	Clamp, Hose (Prior to SN 0300068185)	
107	1320288	2	Clamp, Hose (SN 0300068185 through 0300219271)	
108	3340764	2	Pad, Push Tube	
109	3340787	1	Pad, Wear	
110		Ref	Pad, Rubber Options:	
110	3340861	5	Pad, Rubber (Prior to SN 0300068185)	
110	3340941	5	Pad, Rubber (SN 0300068185 through 0300219271)	
111	3538758	1	Plate, Backing	
112	4070969	AR	Shim	
113	4711600	20	Flatwasher 3/8in Thin	
114		Ref	Tube, Push Options:	
114	4846164	1	Tube, Push E600/M600	
114	4846163	1	Tube, Push E600J/E600JP/M600J/M600JP	
115		Ref	Support Options:	
115	4846166	1	Support E600/M600	
115	4846165	1	Support E600J/E600JP/M600J/M600JP	
116	3311605	1	Locknut 3/8in-16NC	
117		Ref	Pad, Rubber Options:	

SECTION 3 - BOOM

ITEM	PART NUMBER	QTY	DESCRIPTION	REV
117	3340901	1	Pad, Rubber (Prior to SN 0300068185)	
117	3340939	1	Pad, Rubber (SN 0300068185 through 0300219271)	
118	3572448	1	Plate, Clamp	
119	3340896	1	Pad, Rubber	
120	3900283	4	Screw, Button Head	
121	0641622	2	Bolt 3/8in-16NC x 2-3/4in	
122	0100081	AR	Loctite #454	

SECTION 3 - BOOM

FIGURE 3-5. ROTATOR ASSEMBLIES

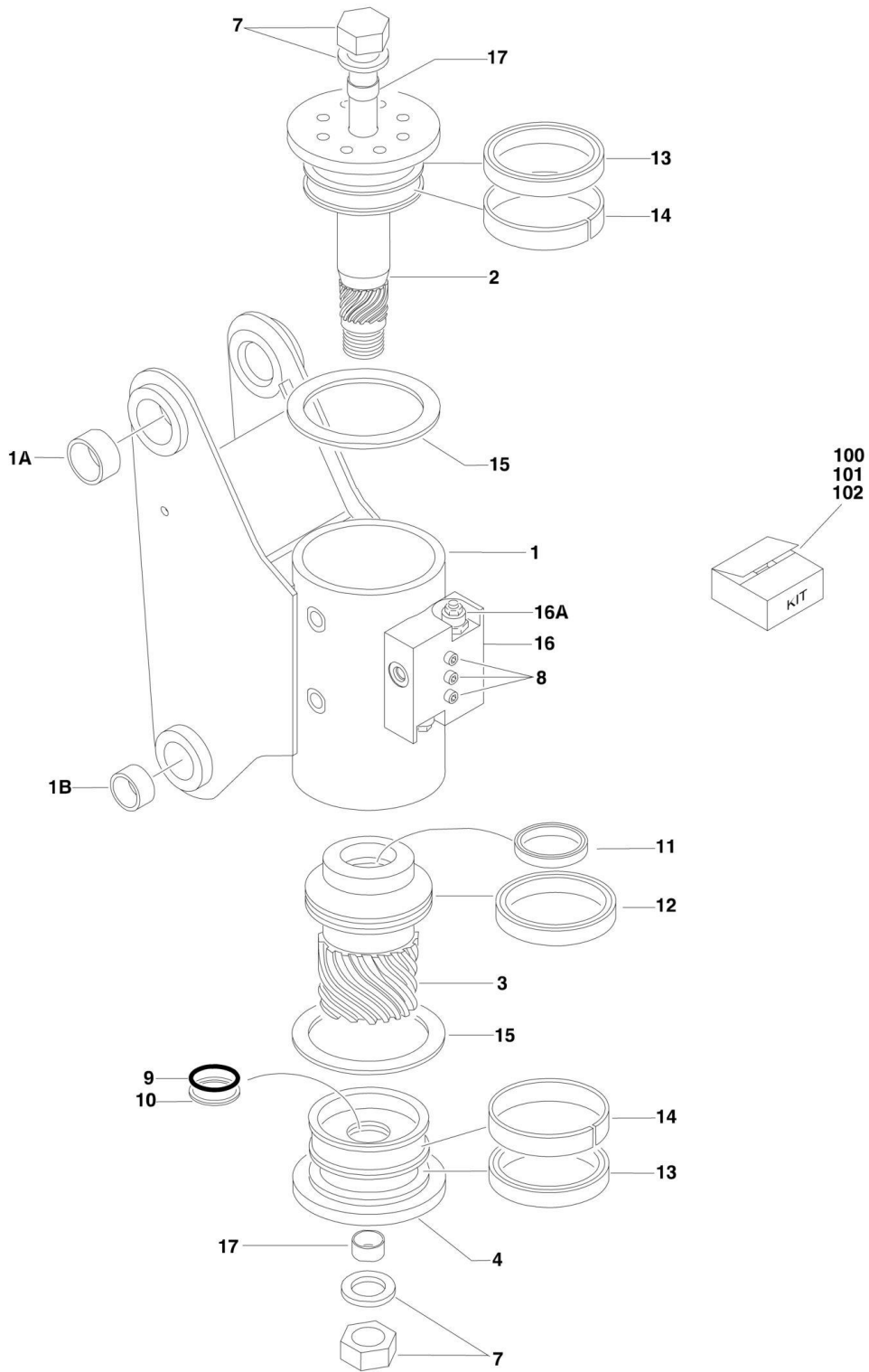


FIGURE 3-5. ROTATOR ASSEMBLIES

ITEM	PART NUMBER	QTY	DESCRIPTION	REV
		Ref	ROTATOR ASSEMBLIES	
	0060049	Ref	Rotator Assemblies E600/M600 Platform Rotate	E
	0060050	Ref	Rotator Assemblies E600J/M600J Platform Rotate (Prior to SN 0300201804)	G
	0060096	Ref	Rotator Assemblies E600J/M600J Platform Rotate (SN 0300201804 through 0300219271)	B
	0060056	Ref	Rotator Assemblies E600JP/M600JP Platform Rotate	C
	0060057	Ref	Rotator Assemblies E600JP/M600JP Side Swing Rotate	C
1	See Note	NSS	Case/Bracket Weldment (Note: Not Available - Purchase Complete Assembly)	
1A		Ref	Bushing Options: (Top)	
1A	0961951	2	0060049 Rotator	
1A	7017150	2	0060050 Rotator	
1A	0962257	2	0060096 Rotator	
1A	7017170	2	0060056 Rotator	
1A	See Note	NSS	0060057 Rotator (Note: Use Item 102)	
1B		Ref	Bushing Options: (Bottom)	
1B	Not Required	0	0060049 Rotator	
1B	7017151	2	0060050 Rotator	
1B	0961947	2	0060096 Rotator	
1B	7017170	2	0060056 Rotator	
1B	See Note	NSS	0060057 Rotator (Note: Use Item 102)	
2		Ref	Shaft Options:	
2	7017162	1	0060049/0060050/0060056/0060096 Rotators	
2	7017167	1	0060057 Rotator	
3		Ref	Sleeve, Piston Options:	
3	7017163	1	0060049/0060050/0060056/0060096 Rotators	
3	7017168	1	0060057 Rotator	
4		Ref	Cap, End Options:	
4	7017164	1	0060049/0060050/0060056/0060096 Rotators	
4	7017169	1	0060057 Rotator	
7		Ref	Tie Rod Assembly Options:	
7		Ref	0060049/0060050/0060056/0060096 Rotators (was p/n 7017143)	
7	0642684	1	Bolt 1in-8NC x 10-1/2in	
7	4892600	2	Flatwasher 1in Hardened	
7	3272605	3	Locknut 1in-8NC	
7	7017173	1	0060057 Rotator	
8	See Note	NSS	Capscrew 1/4in-20NC x 1-1/2in (Grade 8) (Note: Not Available - Purchase Locally)	
9	See Note	NSS	O-Ring (Note: Use Item 100)	
10	See Note	NSS	Ring, Back-up Cap (Note: Use Item 100)	
11	See Note	NSS	Seal, Rod (Note: Use Item 100)	
12	See Note	NSS	Seal, Piston (Note: Use Item 100)	
13	See Note	NSS	Seal, Cap (Note: Use Item 100)	
14	See Note	NSS	Guide, Wear (Note: Use Item 101)	
15	See Note	NSS	Thrustwasher (Note: Use Item 101)	
16		Ref	Counterbalance Valve Assembly Options:	
16	7017172	1	Helac p/n 24327 Stamped beside Mounting Screws (was p/n 7017125)	
16	7017172	1	Helac p/n 26553 or 26554 Stamped beside Mounting Screws	

SECTION 3 - BOOM

ITEM	PART NUMBER	QTY	DESCRIPTION	REV
16A		Ref	Valve, Cartridge Options:	
16A	7011323	2	Valve, Cartridge for Helac p/n 24327 Valve	
16A	2900770	2	Seal Kit - 7011323 Cartridge (1 Per Assembly)	
16A	7017192	2	Valve, Cartridge Helac p/n 26553 (No Seal Kit Available)	
17	7017195	2	Bushing	
		Ref	KIT OPTIONS:	
100		Ref	Seal Kit Options: (Includes Items 9-13)	
100	7017158	1	Standard (0060049/00600500060056 Rotators)	
100	70000342	1	Cold Climate (0060049/0060050/0060096 Rotators)	
100	7017165	1	Standard (0060057 Rotator)	
100	70000340	1	Cold Climate (0060057 Rotator)	
101		Ref	Bearing Kit Options: (Includes Items 14-15)	
101	7017159	1	0060049/0060050/0060056/0060096 Rotators	
101	7017178	1	0060057 Rotator	
102	7017160	1	Bushing Kit Options: (Includes Items 1A, 1B, & 17)	

SECTION 3 - BOOM

FIGURE 3-6. PLATFORM SUPPORT AND ROTATOR VALVE INSTALLATION

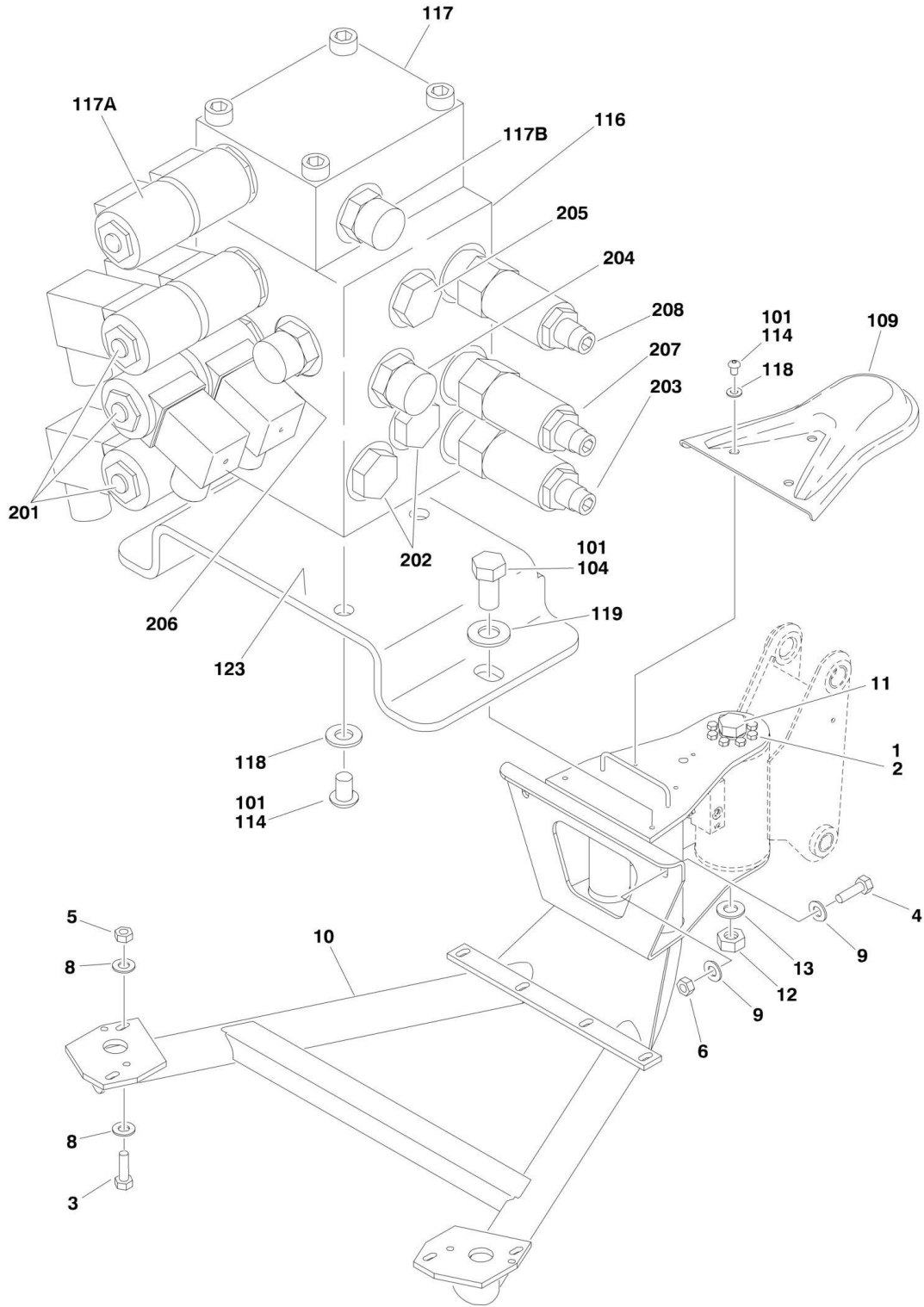


FIGURE 3-6. PLATFORM SUPPORT AND ROTATOR VALVE INSTALLATION

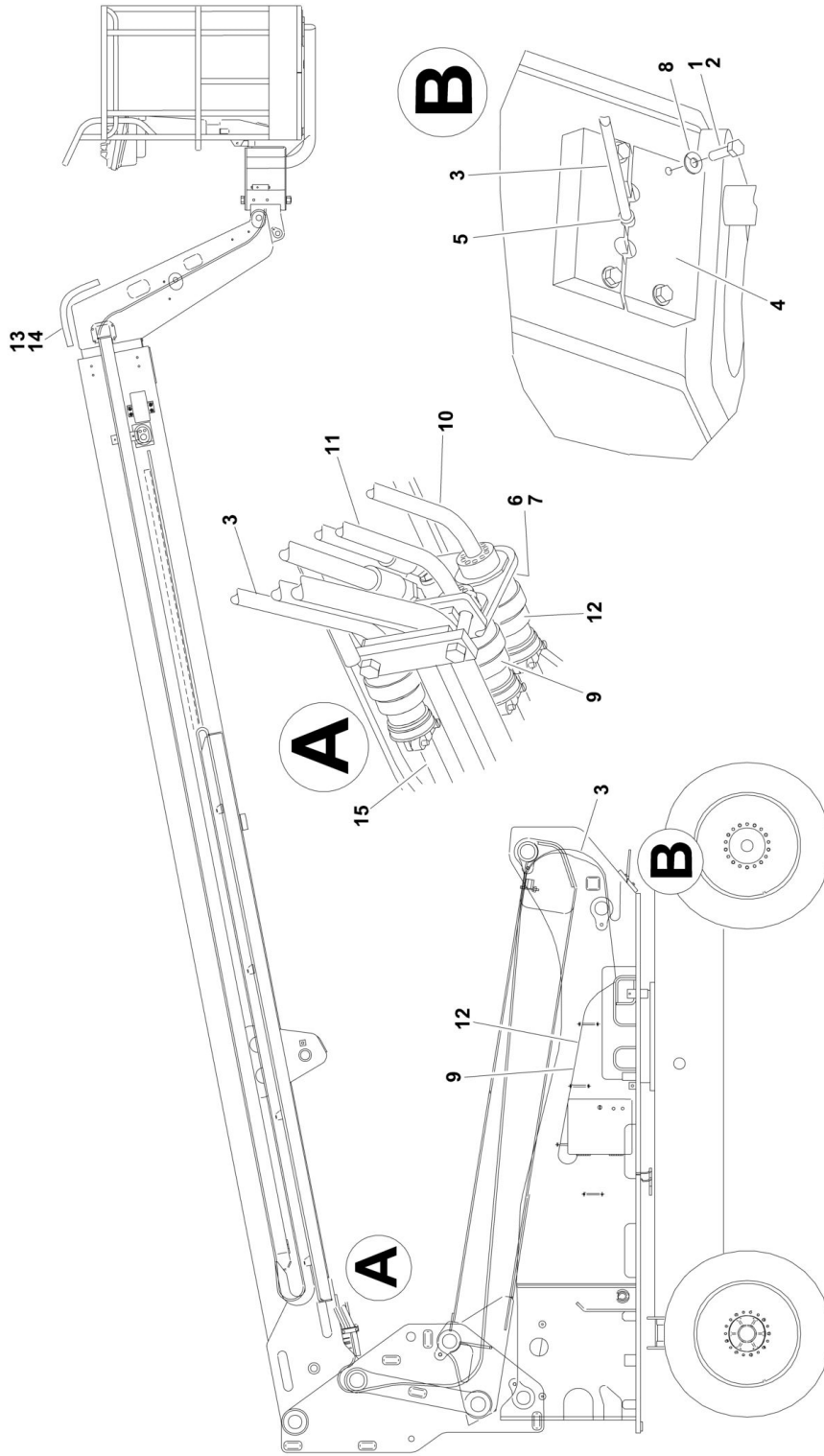
ITEM	PART NUMBER	QTY	DESCRIPTION	REV
		Ref	PLATFORM SUPPORT INSTALLATION	
	0270015	Ref	Machines without Load Sensing and without SkyGlazier (Front Entry Platform)	C
	0272070	Ref	Machines without Load Sensing and without SkyGlazier (Side Entry Platform)	D
	See Note	Ref	Machines without Load Sensing and with SkyGlazier (Side Entry Platform) (Note: For Replacement Parts, Contact JLG Customer Service and Request Manual p/n 3124242)	
	See Note	Ref	Machines with Load Sensing and without SkyGlazier (Side Entry Platform) (Note: For Replacement Parts, Contact JLG Customer Service and Request Manual p/n 3124287)	
	See Note	Ref	Machines with Load Sensing and with SkyGlazier (Side Entry Platform) (Note: For Replacement Parts, Contact JLG Customer Service and Request Manual p/n 3124287)	
1	0100011	AR	Locking, Compound	
2		Ref	Hardware Options:	
2	0641606	8	Bolt 3/8in-16NC x 3/4in (Front Entry Platform)	
2	0681608	8	Bolt 3/8in-16NC x 1in (Side Entry Platform)	
3		Ref	Hardware Options:	
3	0681610	AR	Bolt 3/8in-16NC x 1-1/4in (Front Entry Platform)	
3	0641812	AR	Bolt 1/2in-13NC x 1-1/2in (Side Entry Platform)	
4	0641820	2	Bolt 1/2in-13NC x 2-1/2in	
5		Ref	Hardware Options:	
5	3311605	6	Locknut 3/8in-16NC (Front Entry Platform)	
5	3311805	6	Locknut 1/2in-13NC (Side Entry Platform)	
6	3311805	2	Locknut 1/2in-13NC	
8	4891600	12	Flatwasher 3/8in Hardened	
9	4891800	4	Flatwasher 1/2in Hardened	
10		Ref	Support Weldment Options:	
10	4846158	1	Front Entry Platform	
10	4846573	1	Side Entry Platform	
11		Ref	Bolt Options (Side Entry Platform Only):	
11	0642682	1	Bolt 1in-8NC x 10-1/4in (Prior to SN 0300070882)	
11	0642684	1	Bolt 1in-8NC x 10-1/2in (SN 0300070882 through 0300219271)	
12	3272605	1	Locknut 1in-8NC (Side Entry Platform Only)	
13	4892600	1	Flatwasher 1in Hardened (Side Entry Platform Only)	
		Ref	ROTATOR VALVE INSTALLATIONS	
	0270096	Ref	Rotator Valve Installations E600 & M600	H
	0270097	Ref	Rotator Valve Installations E600J & M600J	H
	0270098	Ref	Rotator Valve Installations E600JP & M600JP	H
101	0100011	AR	Locking, Compound	
104	0641606	2	Bolt 3/8in-16NC x 3/4in	
109	1670964	1	Cover, Support	
114	0630467	6	Screw, Button Head	
116		Ref	Rotator Valve Assembly Options (See Items 201-208 for Breakdown):	
116	4641140	1	Rotator Valve Assembly E600 & M600	
116	4641141	1	Rotator Valve Assembly E600J & M600J & E600JP & M600JP	
117		Ref	Side Swing Rotator Valve Assembly Options:	
117	Not Required	0	Side Swing Rotator Valve Assembly E600 & M600 & E600J & M600J	

SECTION 3 - BOOM

ITEM	PART NUMBER	QTY	DESCRIPTION	REV
117	4641142	1	Side Swing Rotator Valve Assembly E600JP & M600JP	D
117A	7017452	1	Cartridge without Coil	
117A	7017402	1	Seal Kit - 7017452 Cartridge	
117A		Ref	Coil Options:	
117A	7021609	2	Coil (Prior to SN 0300058444)	
117A	7012944	2	Coil (SN 0300058444 through 0300219271)	
117B	7012989	1	Cartridge	
117B	7012953	1	Seal Kit - 7012989 Cartridges	
118	4711500	6	Flatwasher 5/16in Thin	
119	4711600	2	Flatwasher 3/8in Thin	
123	4846218	1	Valve Mounting Weldment	
		Ref	ROTATOR VALVE ASSEMBLY	
	4641140	Ref	Rotator Valve Assembly E600 & M600	E
201	7017452	2	Cartridge without Coils (Platform Level and Rotate)	
201	7017402	2	Seal Kit - 7017452 Cartridge	
201	7012944	4	Coil	
202	7012914	2	Cartridge, Check (Platform Level)	
202	7012918	2	Seal Kit - 7012914 Cartridge	
203	7023906	2	Cartridge, Relief (Platform Level)	
203	7021651	2	Seal Kit	
204	7012989	1	Cartridge, Regulator (Rotate)	
204	7012953	1	Seal Kit - 7012989 Cartridge	
205 to 208	Not Required	0	Not Required	
	4641141	Ref	Rotator Valve Assembly E600J & M600J & E600JP & M600JP	F
201	7017452	3	Cartridge without Coils (Platform Level and Rotate and Jib)	
201	7017402	3	Seal Kit - 7017452 Cartridge	
201	7012944	6	Coil	
202	7012914	2	Cartridge, Check (Platform Level)	
202	7012918	2	Seal Kit - 7012914 Cartridge	
203		Ref	Cartridge, Relief (Platform Level and Jib)	
203	7023905	1	Cartridge, Relief (Prior to SN 0300064130)	
203	7023968	1	Cartridge, Relief (SN 0300064130 through 0300219271)	
203	7021651	3	Seal Kit - 7023905/7023968 Cartridges	
204	7012989	1	Cartridge, Regulator (Rotate)	
204	7012953	1	Seal Kit - 7012989 Cartridge	
205	7010542	1	Cartridge, Load Shuttle (Jib)	
205	7010543	1	Seal Kit - 7010542 Cartridge	
206	7012965	1	Cartridge, Regulator (Jib)	
206	7012953	1	Seal Kit - 7012965 Cartridge	
207		Ref	Cartridge, Relief (Platform Level and Jib)	
207	7023905	1	Cartridge, Relief (Prior to SN 0300064130)	
207	7023968	1	Cartridge, Relief (SN 0300064130 through 0300219271)	
207	7021651	1	Seal Kit - 7023905/7023968 Cartridges	
208		Ref	Cartridge, Relief (Platform Level and Jib)	
208	7023905	1	Cartridge, Relief (Prior to SN 0300064130)	
208	7023968	1	Cartridge, Relief (SN 0300064130 through 0300219271)	
208	7021651	1	Seal Kit - 7023905/7023968 Cartridges	

SECTION 3 - BOOM

FIGURE 3-7. CABLES, CLAMPS AND LIMIT SWITCHES INSTALLATION



SECTION 3 - BOOM

FIGURE 3-7. CABLES, CLAMPS AND LIMIT SWITCHES INSTALLATION

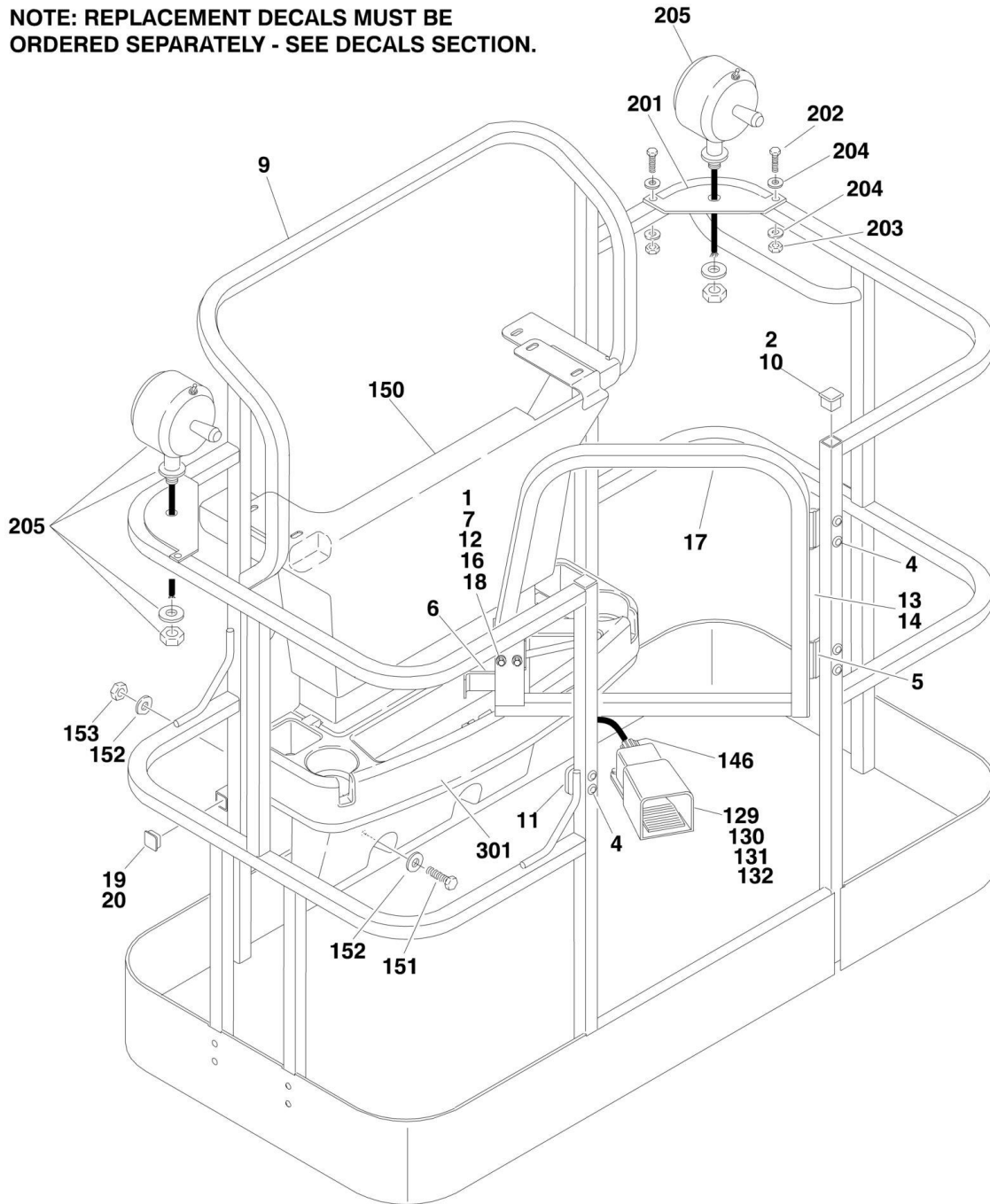
ITEM	PART NUMBER	QTY	DESCRIPTION	REV
		Ref	CABLE AND CLAMP INSTALLATIONS	
	0259952	Ref	Cable and Clamp Installations E600 & M600	F
	0259953	Ref	Cable and Clamp Installations E600J & M600J	F
	0259954	Ref	Cable and Clamp Installations E600JP & M600JP	I
1	0100011	AR	Locking, Compound	
2	0641612	4	Bolt 3/8in-16NC x 1-1/2in	
3	1060494	NLA	Cable, Electrical -12/3 (Use p/n 4922937)	
4	1320256	1	Clamp, Block	
5	2820029	3 in/7.6cm	Insulator, Heat Shrink	
6	4460496	1	Lockwasher, Terminal	
7	4460497	1	Nut, Terminal	
8	4711600	4	Lockwasher 3/8in Thin	
9	4922355	1	Harness, Boom - Lower #18-11/1STP (See ELECTRICAL SECTION for Breakdown)	
10		Ref	Harness, Boom - Upper #18-11/1STP Options (See ELECTRICAL SECTION for Breakdown):	
10	4922356	1	Harness, Boom E600 & M600	
10	4922358	1	Harness, Boom E600J & M600J	
10	4922360	NLA	Harness, Boom E600JP & M600JP (Use p/n 4922356) (Prior to SN 0300100004)	
10	4922356	1	Harness, Boom E600JP & M600JP (SN 0300100004 through 0300219271)	
11		Ref	Harness, Rotator Valve - Upper Options (See ELECTRICAL SECTION for Breakdown):	
11	4922359	1	Harness, Rotator Valve E600 & M600	
11	4922362	1	Harness, Rotator Valve E600J & M600J	
11	4922357	1	Harness, Rotator Valve E600JP & M600JP	
12	4922361	1	Harness, Rotator Valve - Lower (See ELECTRICAL SECTION for Breakdown)	
13	4100026	3 ft/1m	Sleeve, Hose Protector (E600JP & M600JP Only)	
14	4240033	2	Tie, Wire (E600JP & M600JP Only)	
15	1060494	NLA	Cable, Electrical - 12/3 (Use p/n 4922938)	

SECTION 4 - PLATFORM

SECTION 4 - PLATFORM

FIGURE 4-1. PLATFORM INSTALLATIONS (FRONT ENTRY)

NOTE: REPLACEMENT DECALS MUST BE ORDERED SEPARATELY - SEE DECALS SECTION.



SECTION 4 - PLATFORM

FIGURE 4-1. PLATFORM INSTALLATIONS (FRONT ENTRY)

ITEM	PART NUMBER	QTY	DESCRIPTION	REV
		Ref	PLATFORM ASSEMBLIES:	
	3510738	Ref	6ft (1.83m) with Standard Gate/No Mesh	C
	3510744	Ref	6ft (1.83m) with Standard Gate/Mesh to Top Rail	D
	3510742	Ref	6ft (1.83m) with Self-Closing Gate/No Mesh	D
	3510754	Ref	6ft (1.83m) with Self-Closing Gate/Mesh to Top Rail	E
	3510675	Ref	8ft (2.44m) with Standard Gate/No Mesh	B
	3510747	Ref	8ft (2.44m) with Standard Gate/Mesh to Top Rail	D
	3510749	Ref	8ft (2.44m) with Self-Closing Gate/No Mesh	D
	3510753	Ref	8ft (2.44m) with Self-Closing Gate/Mesh to Top Rail	E
	3510788	Ref	4ft (1.22m) with Standard Gate/No Mesh	A
		Ref	Note: Replacement Decals Must Be Ordered Separately - See DECALS SECTION.	
1	0100011	AR	Locking, Compound	
2	0100040	AR	Sealant, RTV Silicone	
4	2080040	13	Fastener, Huck	
5		Ref	Hinge Options:	
5	2600216	2	Standard Gate	
5	2600219	2	Self-Closing Gate	
6	2940074	1	Latch	
7	3311001	4	Nut #10-24NC	
9	See Note	NSS	Platform Weldment (Note: Purchase Platform Assembly)	
10	3520072	3	Cap-Plug	
11	3539685	1	Plate, Latch	
12	3911008	4	Screw #10-24NC x 1in	
13	4060803	6 in/15cm	Trim	
14	4220165	1	Stop, Gate	
16	4751000	8	Flatwasher #10 Regular	
17		Ref	Gate Weldment Options:	
17	4845327	1	No Mesh/Standard Gate	
17	4845951	1	Mesh to Top Rail/Standard Gate	
17	4845426	1	No Mesh/Self-Closing Gate	
17	4845951	1	Mesh to Top Rail/Self-Closing Gate	
18	4761000	4	Lockwasher #10	
19	3520172	2	Plug	
20	0100010	AR	Adhesive	
		Ref	FOOTSWITCH AND COVERS INSTALLATION	
129		Ref	Footswitch Kit Options: (Includes Footswitch, 16/3 Cable, Terminals and Connector Item 146)	
129	0272971	1	Footswitch Kit (Prior to SN 0300193234)	
129	1001136889	1	Footswitch Kit (SN 0300193234 through 0300219271)	
129		Ref	Footswitch Options:	
129	4360031	1	Footswitch (Prior to SN 0300193234)	
129	1001117172	1	Footswitch (SN 0300193234 through 0300219271)	
129	7000625	2	Block, Contact (4360031 Footswitch)	
130	0641408	3	Bolt 1/4in-20NC x 1in	
131	3311401	3	Nut 1/4in-20NC	
132	4751400	7	Flatwasher 1/4in Regular	
146	4460071	1	Terminal, Strain Relief	
150	3380434	1	Panel, Poly	
151	0641406	4	Bolt 1/4in-20NC x 3/4in	

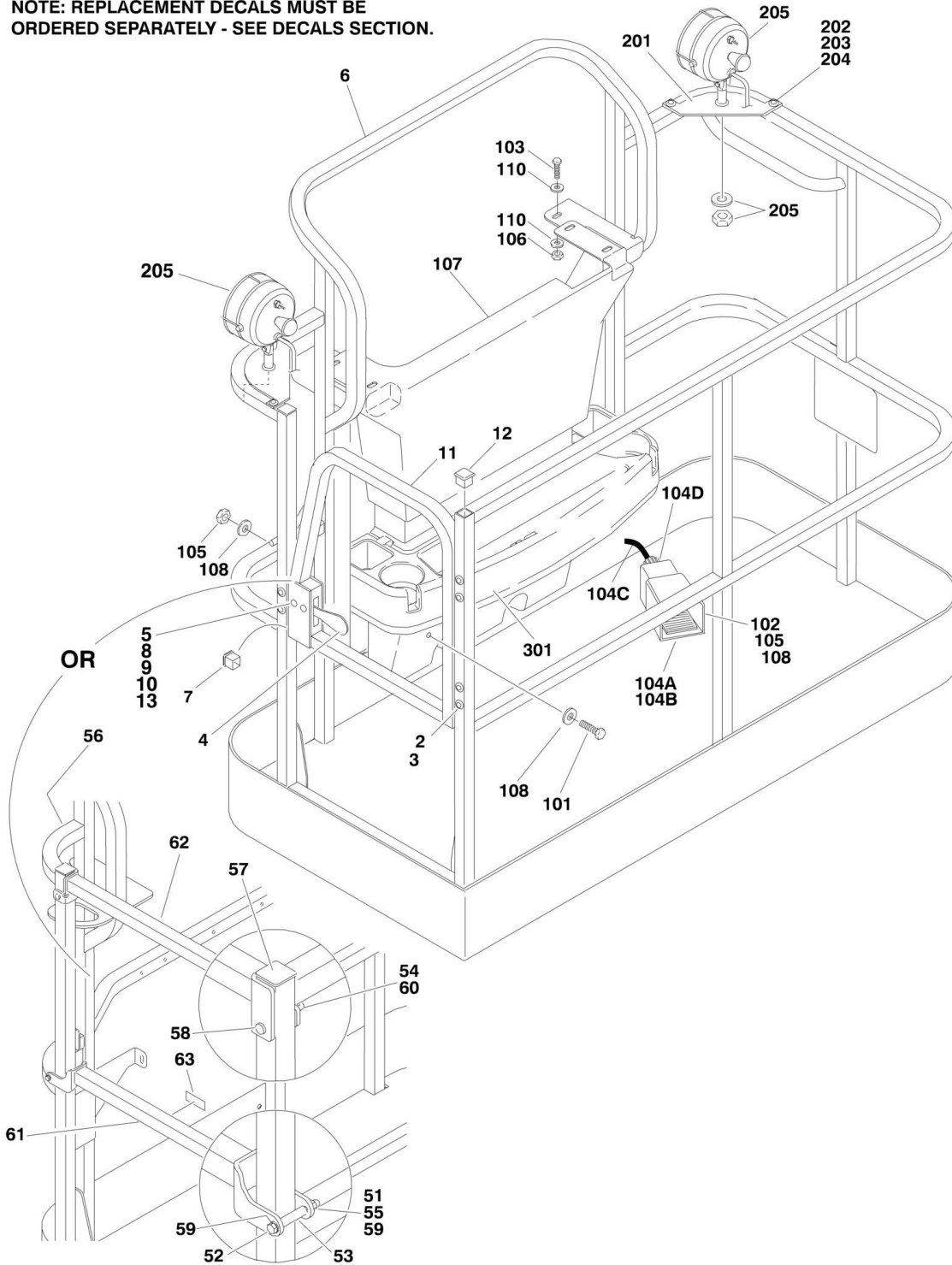
SECTION 4 - PLATFORM

ITEM	PART NUMBER	QTY	DESCRIPTION	REV
152	4740362	4	Washer, Fender	
153	3311405	3	Locknut 1/4in-20NC	
		Ref	WORKLIGHTS INSTALLATION (OPTIONAL)	
	0259338	Ref	ANSI Spec	C
	0271301	Ref	UL Spec	C
201	3536089	2	Plate, Mounting	
202	0641414	4	Bolt 1/4in-20NC x 1-3/4in	
203	3311405	4	Locknut 1/4in-20NC	
204	4711400	8	Flatwasher 1/4in Thin	
205	2920095	2	Worklight Assembly	
205	7016356	2	Bulb, Replacement (1 Per Assembly)	
206	4240099	10	Tie-Strap (Not Shown)	
207	2820035	9 ft/2.75m	Loom, Vinyl (Not Shown)	
209	4460428	1	Connector, Strain Relief (Not Shown - Located at Console Box)	
210	4460068	1	Ring, Terminal (Not Shown - UL Spec Only) (Prior to SN 0300077549)	
211	4460297	1	Terminal (Not Shown - UL Spec Only)	
212	4460260	1	Housing, Terminal (Not Shown - UL Spec Only)	
213	4923061	1	Harness, Platform Worklights (Not Shown) (SN 0300077549 through 0300219271)	
		Ref	TRAY INSTALLATIONS (OPTIONAL)	
301	1580012	1	Tray, Storage (Center)	
302	1580013	1	Tray, Storage (Rail Mounted - Not Shown)	

SECTION 4 - PLATFORM

FIGURE 4-2. PLATFORM INSTALLATIONS (SIDE ENTRY)

NOTE: REPLACEMENT DECALS MUST BE ORDERED SEPARATELY - SEE DECALS SECTION.



SECTION 4 - PLATFORM

FIGURE 4-2. PLATFORM INSTALLATIONS (SIDE ENTRY)

ITEM	PART NUMBER	QTY	DESCRIPTION	REV
		Ref	PLATFORM INSTALLATION WITH GATE	
	3510832	Ref	6ft (1.83m) with No Mesh (Use p/n 1001186385 as Replacement) (Prior to SN 0300164588)	L
	1001144025	Ref	6ft (1.83m) with No Mesh (Use p/n 1001186385 as Replacement) (SN 0300164588 through 0300200809)	D
	1001186385	Ref	6ft (1.83m) with No Mesh (SN 0300200810 through 0300219271)	C
	3510830	Ref	4ft (1.44m) with No Mesh (Use p/n 1001186387 as Replacement) (Prior to SN 0300164588)	M
	1001144027	Ref	4ft (1.44m) with No Mesh (Use p/n 1001186387 as Replacement) (SN 0300164588 through 0300200809)	D
	1001186387	Ref	4ft (1.44m) with No Mesh (SN 0300200810 through 0300219271)	C
		Ref	Note: Platform and Mesh must be ordered separately for Platforms with Mesh. See SPECIAL OPTIONS SECTION for Mesh Installations.	
		Ref	Note: Replacement Decals Must Be Ordered Separately - See DECALS SECTION.	
2	2080040	16	Fastener, Huck	
3	2600281	2	Hinge, Self Closing	
4	2940074	1	Latch	
5	3311001	4	Nut #10-24NC (Prior to SN 0300077423)	
6	See Note	NSS	Platform Weldment (Note: Purchase Platform Assembly)	
7	3520072	1	Plug	
8		Ref	Hardware Options:	
8	3900205	4	Screw (Prior to SN 0300077423)	
8	3820020	4	Rivet, Pop (SN 0300077423 through 0300219271)	
9	4751000	4	Flatwasher #10 Regular (Prior to SN 0300077423)	
10	4761000	4	Lockwasher #10 (Prior to SN 0300077423)	
11		Ref	Gate Weldment Options:	
11	4846452	1	Gate for Platform p/ns 3510830 & 3510832	
11	1001144629	1	Gate for Platform p/ns 1001144025, 1001144027, 1001186385 & 1001186387	
12	3520198	2	Plug	
13	0100011	AR	Locking, Compound (Prior to SN 0300077423)	
		Ref	PLATFORM ASSEMBLY WITH DROP-BAR	
	1001138431	Ref	6ft (1.83m) with No Mesh (Use p/n 1001186375 as Replacement) (Prior to SN 0300164588)	B
	1001144018	Ref	6ft (1.83m) with No Mesh (Use p/n 1001186375 as Replacement) (SN 0300164588 through 0300200809)	D
	1001186375	Ref	6ft (1.83m) with No Mesh (SN 0300200810 through 0300219271)	B
	1001138433	Ref	4ft (1.44m) with No Mesh (Use p/n 1001186387 as Replacement) (Prior to SN 0300164588)	M
	1001144020	Ref	4ft (1.44m) with No Mesh (Use p/n 1001186387 as Replacement) (SN 0300164588 through 0300200809)	D
	1001186378	Ref	4ft (1.44m) with No Mesh (SN 0300200810 through 0300219271)	B
		Ref	Note: Replacement Decals Must Be Ordered Separately - See DECALS SECTION.	
51	0100011	AR	Compound, Locking	
52	0641418	2	Bolt 1/4in-20NC x 2-1/4in	
53	0961845	2	Bushing	

SECTION 4 - PLATFORM

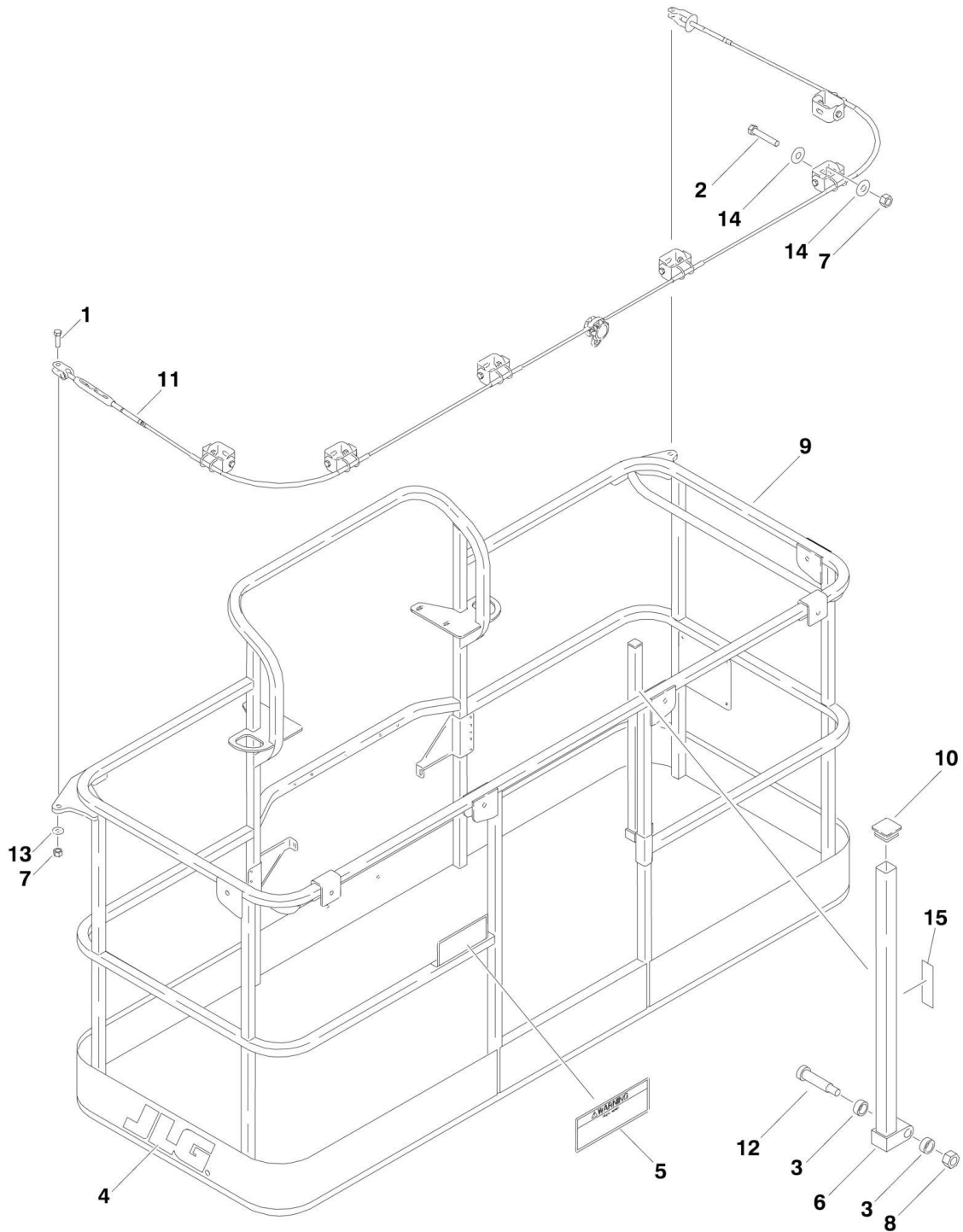
ITEM	PART NUMBER	QTY	DESCRIPTION	REV
54	3290606	2	Nut M6	
55	3300151	2	Nut, Acorn	
56	See Note	NSS	Platform Weldment (Note: Purchase Platform Assembly)	
57	3520198	2	Plug	
58	4010618	2	Screw M6 x 50mm	
59	4711400	4	Flatwasher 1/4in	
60	4811700	2	Flatwasher M6	
61	1001138494	1	Bar, Drop	
62	1001138514	1	Rail (Top)	
63	1001140429	1	Decal - Drop-Bar	
		Ref	FOOTSWITCH AND COVERS INSTALLATION	
		Ref	ANSI Spec - E600J/M600J/E600JP/M600JP	
	0272154	Ref	Footswitch and Covers Installation (Without SkyGuard) (Prior to SN 0300157026)	A
	1001141057	Ref	Footswitch and Covers Installation (Without SkyGuard) (SN 0300157026 through 0300219271)	B
	1001189725	Ref	Footswitch and Covers Installation (With SkyGuard)	A
		Ref	ANSI Spec - E600/M600	
	0272154	Ref	Footswitch and Covers Installation (Without SkyGuard) (Prior to SN 0300157026)	A
	1001141057	Ref	Footswitch and Covers Installation (Without SkyGuard) (SN 0300157026 through 0300172557)	A
	1001154131	Ref	Footswitch and Covers Installation (Without SkyGuard) (SN 0300172558 through 0300219271)	A
	1001189726	Ref	Footswitch and Covers Installation (With SkyGuard)	A
		Ref	UL Spec - E600J/E600JP	
	0272155	Ref	Footswitch and Covers Installation (Prior to SN 0300157026)	A
	1001141056	Ref	Footswitch and Covers Installation (SN 0300157026 through 0300219271)	A
		Ref	UL Spec - E600	
	0272155	Ref	Footswitch and Covers Installation (Prior to SN 0300157026)	A
	1001141056	Ref	Footswitch and Covers Installation (SN 0300157026 through 0300172557)	A
	1001154130	Ref	Footswitch and Covers Installation (SN 0300172558 through 0300219271)	A
101	0641406	4	Bolt 1/4in-20NC x 3/4in	
102	0641410	3	Bolt 1/4in-20NC x 1-1/4in	
102	0641408	3	Bolt 1/4in-20NC x 1in	
103	0641610	4	Bolt 3/8in-16NC x 1-1/4in	
104		Ref	Console Box Assembly (Not Shown - See PLATFORM CONSOLE ASSEMBLY for Breakdown)	
104A	0272971	1	Footswitch Kit (Includes Items 104C-104F) (Prior to SN 0300157026)	
104A		Ref	Footswitch Options:	
104A	4360031	1	Footswitch (Prior to SN 0300143953)	
104A	7000625	2	Block, Contact (4360031 Footswitch)	
104A	1001117320	1	Footswitch (SN 0300143953 through 0300157026)	
104A	70003483	1	Block, Contact (1001117320 Footswitch)	
104B	1001136889	1	Footswitch Kit (Includes Items 104C-104F) (SN 0300157026 through 0300219271)	
104B	1001117172	1	Footswitch	
104B	70002902	1	Switch	
104B	70002903	1	Gasket, Neoprene	
104B	70002904	1	Cover Bolt Kit	

SECTION 4 - PLATFORM

ITEM	PART NUMBER	QTY	DESCRIPTION	REV
104B	70002905	1	Cover	
104C	1060330	7 ft /5.2.3m	Cable, Electrical - 16/3	
104D	4460071	1	Connector, Strain Relief	
104E	4460464	1	Pin, Male (Not Shown)	
104F	4460226	1	Socket, Female (Not Shown)	
105	3311405	7	Locknut 1/4in-20NC	
106	3311605	4	Locknut 3/8in-16NC	
107	3380434	1	Panel, Poly	
108	4740362	7	Washer, Fender 1/4in	
109	4751400	4	Flatwasher 1/4in Regular	
110	4751600	8	Flatwasher 3/8in Regular	
		Ref	WORKLIGHTS INSTALLATION (optional)	
	0259338	Ref	ANSI Spec	C
	0271301	Ref	UL Spec	C
201	3536089	2	Plate, Mounting	
202	0641414	4	Bolt 1/4in-20NC x 1-3/4in	
203	3311405	4	Locknut 1/4in-20NC	
204	4711400	8	Flatwasher 1/4in Thin	
205	2920095	2	Worklight Assembly	
205	7016356	2	Bulb, Replacement (1 Per Assembly)	
206	4240099	10	Tie-Strap (Not Shown)	
207	2820035	9 ft/2.75m	Loom, Vinyl (Not Shown)	
209	4460428	1	Connector, Strain Relief (Not Shown - Located at Console Box)	
210	4460068	1	Ring, Terminal (Not Shown - UL Spec Only) (Prior to SN 0300077549)	
211	4460297	1	Terminal (Not Shown - UL Spec Only)	
212	4460260	1	Housing, Terminal (Not Shown - UL Spec Only)	
213	4923061	1	Harness, Platform Work Lights (Not Shown) (SN 0300077549 through 0300219271)	
		Ref	TRAY INSTALLATIONS (OPTIONAL)	
301	1580012	1	Tray, Storage (Center)	
302	1580013	1	Tray, Storage (Rail Mounted - Not Shown)	

SECTION 4 - PLATFORM

FIGURE 4-3. PLATFORM COMPONENTS INSTALLATION (FALL ARREST PLATFORM)



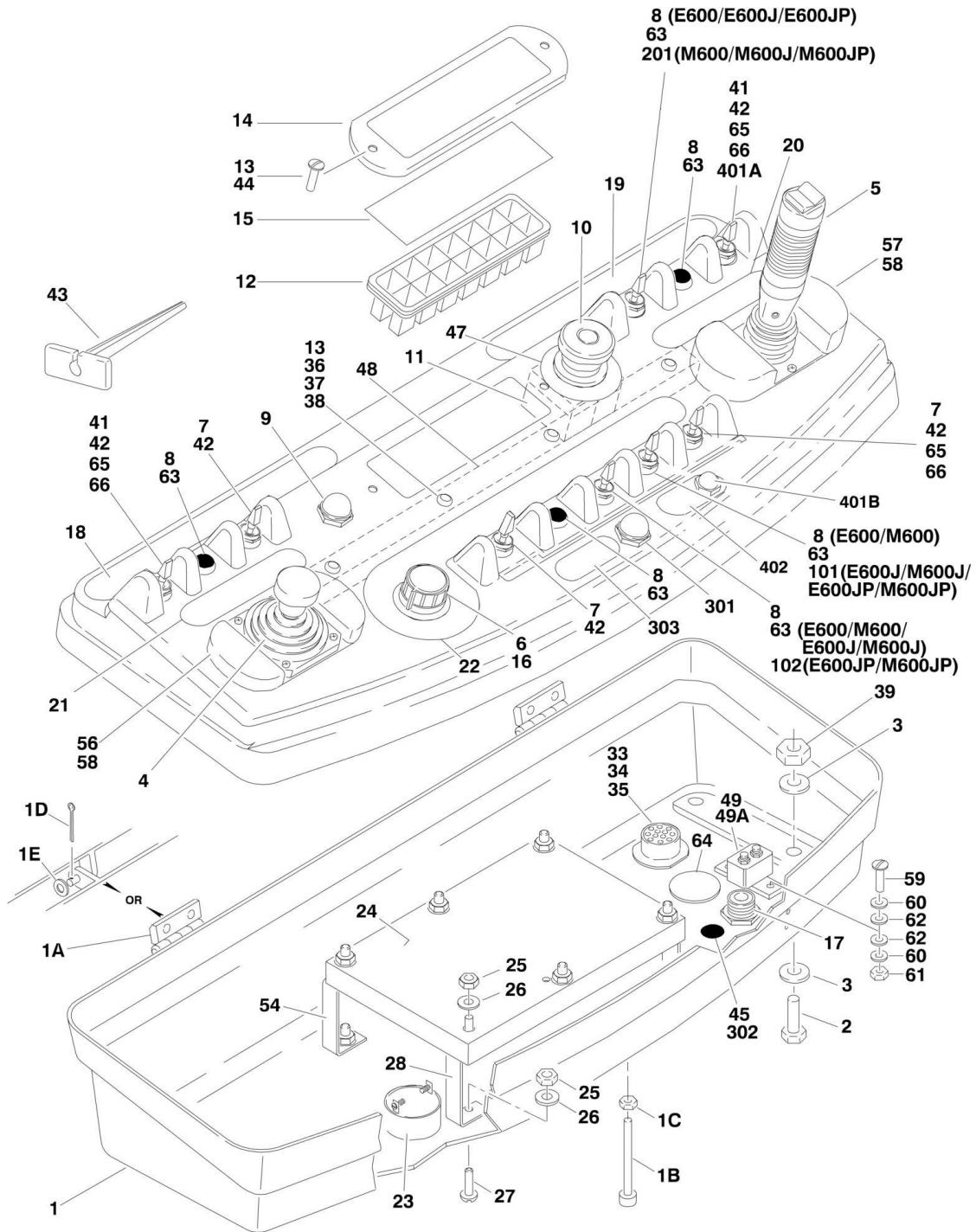
SECTION 4 - PLATFORM

FIGURE 4-3. PLATFORM COMPONENTS INSTALLATION (FALL ARREST PLATFORM)

ITEM	PART NUMBER	QTY	DESCRIPTION	REV
		Ref	PLATFORM ASSEMBLY (FALL ARREST)	
		Ref	Note: Not Available on CE Specs.	
	3510868	Ref	3ft x 8ft (0.9m x 2.44m) (Prior to SN 0300188650)	F
	1001144596	Ref	3ft x 8ft (0.9m x 2.44m) (SN 0300188650 through 0300200809)	D
	1001186334	Ref	3ft x 8ft (0.9m x 2.44m) (SN 0300200810 through 0300219271)	C
	3510884	Ref	3ft x 6ft (0.9m x 1.83m) (Prior to SN 0300188650)	F
	1001144597	Ref	3ft x 6ft (0.9m x 1.83m) (SN 0300188650 through 0300200809)	D
	1001186333	Ref	3ft x 6ft (0.9m x 1.83m) (SN 0300200810 through 0300219271)	C
		Ref	Note: Replacement Decals Must Be Purchased Separately - See DECALS SECTION.	
1	0681814	2	Bolt 1/2in-13NC x 1-3/4in (Grade 8)	
2	0681822	AR	Bolt 1/2in-13NC x 2-3/4in (Grade 8)	
3	0962270	2	Bearing	
4	1702773	1	Decal - JLG (3ft x 8ft (0.9m x 2.44m) Platform Only)	
5	1705014	1	Decal - Safety	
6	2410014	1	Gate Weldment	
7	3271805	AR	Locknut 1/2in-13NC (Grade 8)	
8	3311605	1	Locknut 3/8in-16NC	
9	See Note	NSS	Platform Weldment (Note: Purchase Platform Assembly)	
10	3520072	1	Cap-Plug	
11		Ref	Cable, Fall Arrest Options:	
11	1060919	1	3ft x 6ft (0.9m x 1.83m) (Prior to SN 0300213968)	
11	1001203655	1	3ft x 6ft (0.9m x 1.83m) (SN 0300213968 through 0300219271)	
11	3890040	1	3ft x 8ft (0.9m x 2.44m)	
12	3900054	1	Bolt 1/2in-13NC x 1 3/4in	
13	4711800	AR	Flatwasher 1/2in Thin	
14	4751800	AR	Flatwasher 1/2in Regular	
15	1706385	1	Decal - Drop Bar	

SECTION 4 - PLATFORM

FIGURE 4-4. PLATFORM CONSOLE ASSEMBLY (WITHOUT SKYGUARD)



SECTION 4 - PLATFORM

FIGURE 4-4. PLATFORM CONSOLE ASSEMBLY (WITHOUT SKYGUARD)

ITEM	PART NUMBER	QTY	DESCRIPTION	REV
		Ref	CONSOLE BOX ASSEMBLY (WITHOUT SKYGUARD)	
		Ref	ANSI Spec - E600J/M600J/E600JP/M600JP	
	0861318	Ref	PVC Box (Prior to SN 0300067706)	2-A
	0861319	Ref	Aluminum Box (Prior to SN 0300067706)	4-C
	0861533	Ref	Aluminum Box (SN 0300067706 through 0300157025)	K
	1001141053	Ref	Aluminum Box (SN 0300157026 through 0300194270)	C
	1001175625	Ref	Aluminum Box (SN 0300194271 through 0300219271)	B
		Ref	ANSI Spec - E600/M600	
	0861318	Ref	PVC Box (Prior to SN 0300067706)	2-A
	0861319	Ref	Aluminum Box (Prior to SN 0300067706)	4-C
	0861533	Ref	Aluminum Box (SN 0300067706 through 0300157025)	K
	1001141053	Ref	Aluminum Box (SN 0300157026 through 0300172557)	C
	1001154133	Ref	Aluminum Box (ANSI Spec) (SN 0300172558 through 0300194270)	B
	1001175627	Ref	Aluminum Box (SN 0300194271 through 0300219271)	B
		Ref	UL Spec - E600J/E600JP	
	0861451	Ref	PVC Box (Prior to SN 0300067706)	1-A
	0861450	Ref	Aluminum Box (Prior to SN 0300067706)	1-A
	0861534	Ref	Aluminum Box (SN 0300067706 through 0300157025)	J
	1001141052	Ref	Aluminum Box (SN 0300157026 through 0300194270)	A
	1001175626	Ref	Aluminum Box (SN 0300194271 through 0300219271)	B
		Ref	UL Spec - E600	
	0861451	Ref	PVC Box (Prior to SN 0300067706)	1-A
	0861450	Ref	Aluminum Box (Prior to SN 0300067706)	1-A
	0861534	Ref	Aluminum Box (SN 0300067706 through 0300157025)	J
	1001141052	Ref	Aluminum Box (SN 0300157026 through 0300172557)	A
	1001154132	Ref	Aluminum Box (SN 0300172558 through 0300194270)	B
	1001175628	Ref	Aluminum Box (SN 0300194271 through 0300219271)	B
	0273089	Ref	Light Panel Installation	B
1		Ref	Box, Console Options:	
1	0861215	1	PVC Box (Not Shown)	
1	0861326	1	Aluminum Box (Prior to SN 0300067706)	
1	0861537	1	Aluminum Box (SN 0300067706 through 0300219271)	
1A	2600211	2	Hinge (Aluminum Box Only) (Prior to SN 0300067706)	
1A	3900224	8	Screw, Countersunk (Aluminum Box Only) (Prior to SN 0300067706)	
1B	3931672	1	Capscrew 3/8in-16NC x 4-1/2in	
1C	3311601	1	Nut 3/8in-16NC	
1D		Ref	Pin, Cotter Options:	
1D	3450304	2	Pin, Cotter (Prior to SN 0300073775)	
1D	3420156	2	Pin, Cotter (SN 0300073775 through 0300087666)	
1D	3470003	2	Pin, Cotter (SN 0300087667 through 0300219271)	
1E	4711500	2	Flatwasher 5/16in Thin	
2	0641610	4	Bolt 3/8in-16NC x 1-1/4in	
3	4751600	8	Flatwasher 3/8in Regular	
4		Ref	Controller Assembly (Swing and Lift) Options (See CONTROLLER ASSEMBLY (SWING AND LIFT) for Breakdown):	
4	1600274	NLA	Controller Assembly (Use p/n 1001178139) (Prior to SN 0300146804)	
4	1001118419	NLA	Controller Assembly (Use p/n 1001178139) (SN 0300146804 through 0300194270)	

SECTION 4 - PLATFORM

ITEM	PART NUMBER	QTY	DESCRIPTION	REV
4	1001178139	1	Controller Assembly (SN 0300194271 through 0300219271)	
5		Ref	Controller Assembly (Drive and Steer) Options (See CONTROLLER ASSEMBLY (DRIVE AND STEER) for Breakdown):	
5	1600273	NLA	Controller Assembly (Use p/n 1001178132) (Prior to SN 0300146804)	
5	1001118418	NLA	Controller Assembly (Use p/n 1001178132) (SN 0300146804 through 0300194270)	
5	1001178132	1	Controller Assembly (SN 0300194271 through 0300219271)	
6	4360462	1	Switch, Potentiometer	
7		Ref	Switch, Toggle Options:	
7	4360328	3	Switch, Toggle (Prior to SN 0300194271)	
7	1001155045	3	Switch, Toggle (SN 0300194271 through 0300219271)	
8		Ref	Plug, Hole Options:	
8	3520028	6	Plug, Hole (Prior to SN 0300079711)	
8	3520054	6	Plug, Hole (SN 0300079711 through 0300219271)	
9	4360387	1	Switch, Push Button	
10	4360475	1	Switch, Emergency Stop	
10	7020175	1	Cap, Mushroom with Sealing Ring	
10	7020176	1	Block, Contact	
11	4360476	1	Block, Contact	
12	2760105	1	Housing, Display Light	
13	0630464	AR	Screw, Button Head #10-24NC x 1/2in	
14	1670829	1	Bezel	
15		Ref	Display - Light Panel Options:	
15	1704239	1	Display - Light Panel (Prior to SN 0300141894)	
15	1001110226	1	Display - Light Panel (SN 0300141894 through 0300219271)	
16	2560136	1	Knob, Speed Control	
17	4460428	1	Connector, Strain Relief	
18	1704240	1	Decal - Horn	
19		Ref	Decal - Stop Options:	
19	1704192	1	Decal - Stop (Prior to SN 0300139903)	
19	1001107677	NLA	Decal - Stop (Use p/n 1001132175) (SN 0300139903 through 0300150102)	
19	1001132175	1	Decal - Stop (SN 0300150103 through 0300219271)	
20	1702565	1	Decal - Drive and Steer	
21	1702566	1	Decal - Lift and Swing	
22	1704422	1	Decal - Function Speed	
23	0140011	1	Alarm	
24		Ref	Module, Platform Options:	
24		Ref	Note: Re-calibration Required when Replaced.	
24	0610128	NLA	Module (Use p/n 1001109498) (Prior to SN 0300139903)	
24	1001109498	1	Module (SN 0300139903 through 0300219271)	
25	3310601	AR	Nut #6-32NC	
26	4750600	AR	Flatwasher #6 Regular	
26	4750800	AR	Flatwasher #8 Regular	
27		Ref	Hardware Options:	
27	3910612	AR	Screw #8-32NC x 3/4in	
27	0720804	AR	Screw #10-24NC x 1/2in	
28	0902575	1	Bracket - Front (Prior to SN 0300194271)	
33	4460752	1	Receptacle	
34	4460497	1	Nut, Receptacle	

SECTION 4 - PLATFORM

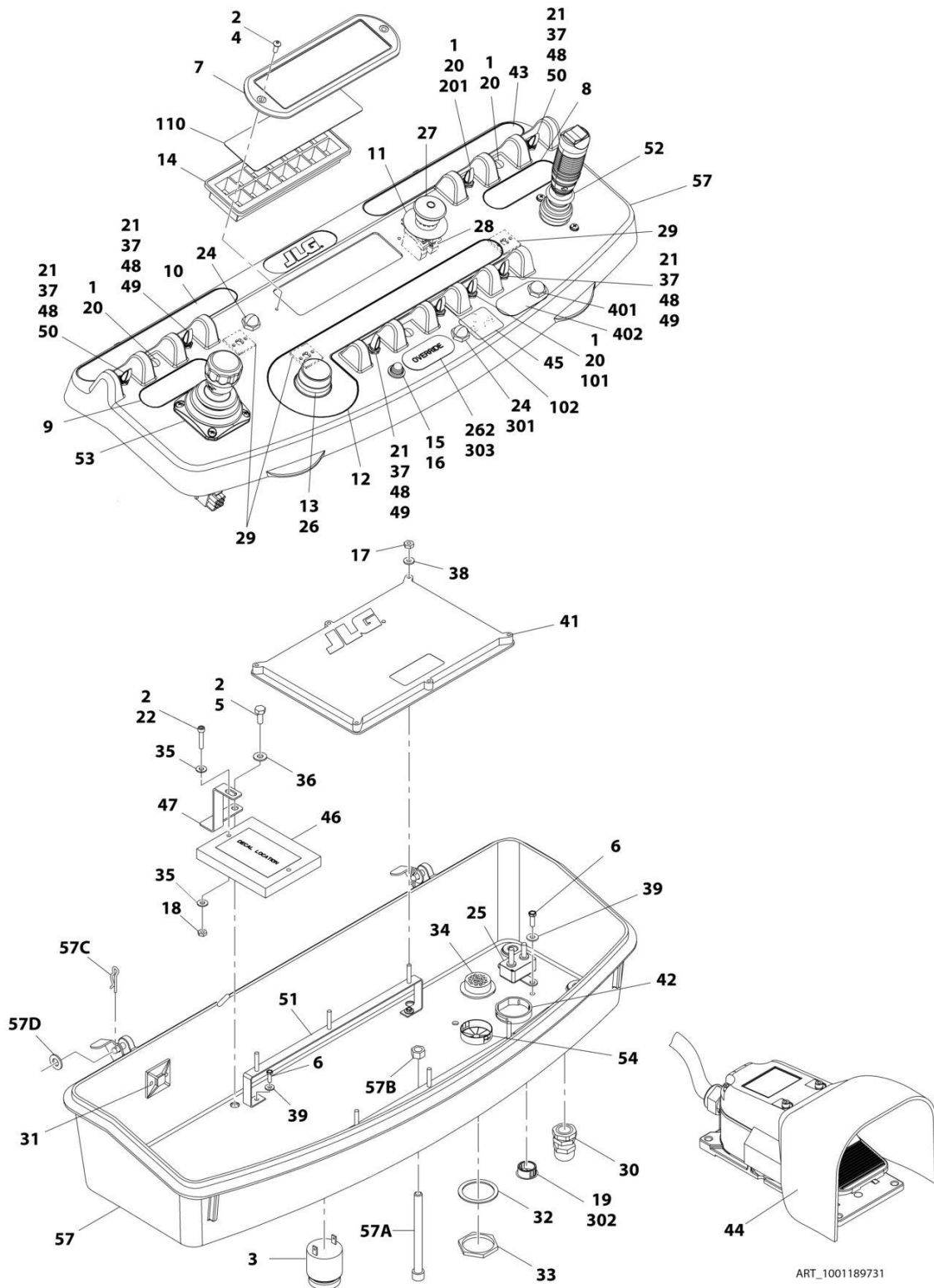
ITEM	PART NUMBER	QTY	DESCRIPTION	REV
35	4460496	1	Lockwasher, Receptacle	
36	4240032	AR	Tie-Strap (Not Shown)	
36	4460488	AR	Base, Tie-Strap Mounting (Not Shown)	
37	4740120	4	Washer, Nylon (PVC Box Only)	
38	3311005	4	Locknut, #10-24NC (PVC Box Only)	
39	3311605	4	Locknut 3/8in-16NC	
41		Ref	Switch, Toggle Options:	
41	4360330	3	Switch, Toggle (Prior to SN 0300194271)	
41	1001159256	3	Switch, Toggle (SN 0300194271 through 0300219271)	
42	3790012	5	O-Ring	
43	4460467	1	Tool, Extraction	
44	0100035	AR	Locking, Compound	
45	3520030	AR	Hole, Plug	
47	1704260	1	Decal - Emergency Stop Switch	
48	3571222	1	Plate, Relay Mounting (Machines with PVC Box Only)	
49		Ref	Options:	
49	4360448	1	All ANSI Specs (Breaker, Circuit - 10Amp)	
49	2400068	1	UL Spec (Fuse, 10Amp)	
49A	2400067	1	Holder, Fuse (UL Spec Only)	
54		Ref	Bracket, Support Platform Module Options:	
54	0902588	1	Bracket, Support Platform (Prior to SN 0300194271)	
54	1001175997	2	Bracket, Support Platform (SN 0300194271 through 0300219271)	
56		Ref	Support, Hand (Left Side) Options:	
56	Not Required	0	PVC Box	
56	4340678	1	Aluminum Box Only (Prior to SN 0300067706)	
57		Ref	Support, Hand (Right Side) Options:	
57	Not Required	0	PVC Box	
57	4340684	1	Aluminum Box Only (Prior to SN 0300067706)	
58	0641404	8	Bolt 1/4in-20NC x 1/2in (Alum Box Only Only) (Prior to SN 0300067706)	
59	0721006	2	Screw, Machine #10-24NC x 3/4in	
60	4751000	4	Flatwasher #10 Regular	
61	3311005	2	Locknut #10-24NC	
62	4740455	4	Washer, Nylon	
63	0100009	AR	Adhesive, Silicone	
64	1671037	NLA	Cover (Use p/n 1001110435) (SN 0300067706 through 0300219271)	
65	4740397	5	Spacer, Washer (SN 0300194271 through 0300219271)	
66	1001155044	5	Nut 15/32-32 UNS-2B (SN 0300194271 through 0300219271)	
		Ref	JIB CONSOLE SWITCH (J & JP ONLY)	
	0270018	Ref	Jib Console Switch E600J & M600J	1-B
	0270019	Ref	Jib Console Switch E600JP & M600JP	1-B
101	4360328	1	Switch, Toggle	
101	3790012	1	O-Ring	
101	4922307	1	Harness, Jib Function (See ELECTRICAL SECTION for Breakdown)	
102		Ref	Switch, Toggle Options:	
102	Not Required	0	Switch, Toggle E600J & M600J	
102	4360328	1	Switch, Toggle E600JP & M600JP	
102	3790012	1	O-Ring	
	0259671	Ref	MOTOR CONTROLS INSTALLATION (M600, M600J & M600JP)	1-A

SECTION 4 - PLATFORM

ITEM	PART NUMBER	QTY	DESCRIPTION	REV
			ONLY)	
201	4360336	1	Switch, Toggle	
201	3790012	1	O-Ring	
201	4922222	1	Harness (See ELECTRICAL SECTION for Breakdown)	
201	4922223	1	Harness (See ELECTRICAL SECTION for Breakdown)	
		Ref	SOFT TOUCH COMPONENTS	
	0270516	Ref	6ft (1.83m) Platform	
	0270405	Ref	8ft (2.44m) Platform	
	4933145	Ref	Electrical Components	2-B
301	4360387	1	Switch, Push Button	
302	4460428	1	Connector, Strain Relief	
303	1702938	1	Decal - Soft Touch Override	
		Ref	WORKLIGHTS INSTALLATION (optional)	
	0259338	Ref	Standard Spec	C
	0271301	Ref	U/L Rated Spec	C
401		Ref	Switch Options:	
401A	4360336	1	Switch, Toggle (Prior to SN 0300161820)	
401B	4360522	1	Switch, Push Button (SN 0300161820 through 0300219271)	
402	1705170	1	Decal, Lights (SN 0300161820 through 0300219271)	

SECTION 4 - PLATFORM

FIGURE 4-5. PLATFORM CONSOLE ASSEMBLY (WITH SKYGUARD)



SECTION 4 - PLATFORM

FIGURE 4-5. PLATFORM CONSOLE ASSEMBLY (WITH SKYGUARD)

ITEM	PART NUMBER	QTY	DESCRIPTION	REV
	1001189732	Ref	PLATFORM CONSOLE ASSEMBLY (WITH SKYGUARD) (M/E600)	A
	1001189731	Ref	PLATFORM CONSOLE ASSEMBLY (WITH SKYGUARD) (M/E600J/M/E600JP)	A
1	0100009	AR	Sealant	
2	0100035	AR	Compound, Locking	
3	0140011	1	Alarm	
4	0630464	2	Screw #10 x 1/2	
5	0641405	2	Bolt 1/4 x 5/8	
6	0720804	6	Screw #8 x 1/2	
7	1670829	1	Bezel	
8	1702565	1	Decal - Drive and Steer	
9	1702566	1	Decal - Lift and Swing	
10	1704240	1	Decal - Horn	
11	1704260	1	Decal - Emergency Stop	
12	1704422	1	Decal - Function Speed	
13	2560136	1	Knob	
14	2760105	1	Fixture, Light	
15	2920028	1	Light, Indicator	
16	2920029	1	Lamp, Bulb	
17	3310601	6	Nut #6	
18	3311005	2	Nut #10	
19	3520030	1	Plug, Hole	
20	3520054	6	Plug, Hole	
21	3790012	5	O-Ring	
22	3931016	2	Capscrew #10 x 1	
23	4240032	AR	Tie-Strap (Not Shown)	
24	4360387	2	Switch, Push Button	
25	4360448	1	Breaker, Circuit 10Amp	
26	4360462	1	Switch, Flow Control	
27	4360475	1	Switch, Emergency Stop	
27	7020175	1	Cap	
27	7020176	1	Block, Contact	
28	4360476	1	Switch, Contact	
29	4460234	3	Mount, Tie-Strap	
30	4460428	1	Connector, Strain Relief	
31	4460488	1	Mount, Tie-Strap	
32	4460496	1	Terminal, Washer	
33	4460497	1	Terminal, Nut	
34	4460752	1	Connector - 14 Position	
35	4711000	4	Washer #10	
36	4711400	2	Washer 1/4	
37	4740397	5	Spacer, Washer	
38	4750600	6	Washer #6	
39	4750800	6	Washer #8	
41	1001109498	1	Module, Control (Note: Re-calibration Required when Replaced)	
42	1001110435	1	Plug, Hole	
43	1001132175	1	Decal - Stop	
44	1001136889	1	Footswitch Assembly (See PLATFORM INSTALLATION for Breakdown)	

SECTION 4 - PLATFORM

ITEM	PART NUMBER	QTY	DESCRIPTION	REV
45	1001144433	1	Decal - No Weight SkyGuard	
46	1001149571	1	Module, Control - SkyGuard	
47	1001151817	2	Bracket	
48	1001155044	5	Nut 15/32	
49	1001155045	6	Switch, Toggle	
50	1001159256	1	Switch, Toggle	
51	1001175597	2	Bracket	
52	1001178132	1	Controller Drive/Steer (See CONTROLLER ASSEMBLY (DRIVE AND STEER) for Breakdown)	
53	1001178139	1	Controller Lift/Swing (See CONTROLLER ASSEMBLY (SWING AND LIFT) for Breakdown)	
54	1001185281	1	Plug	
55	1001189074	1	SkyGuard Harness (Not Shown - See ELECTRICAL SECTION for Breakdown)	
56	1001189075	1	SkyGuard Can Harness (Not Shown - See ELECTRICAL SECTION for Breakdown)	
57	1001189116	1	Console Box Assembly	
57A	0630568	1	Capscrew 3/8 x 4-1/2	
57B	3311601	1	Nut 3/8	
57C	3470003	1	Hairpin	
57D	4711500	1	Washer 5/16	
		Ref	JIB CONSOLE SWITCH (J & JP ONLY)	
	0270018	Ref	Jib Console Switch E600J & M600J	1-B
	0270019	Ref	Jib Console Switch E600JP & M600JP	1-B
101	4360328	1	Switch, Toggle	
101	3790012	1	O-Ring	
101	4922307	1	Harness, Jib Function (See ELECTRICAL SECTION for Breakdown)	
102		Ref	Switch, Toggle Options:	
102	Not Required	0	Switch, Toggle E600J & M600J	
102	4360328	1	Switch, Toggle E600JP & M600JP	
102	3790012	1	O-Ring	
		Ref	LIGHT PANEL INSTALLATION	B
110	1001110226	1	Display - Light Panel	
	0259671	Ref	MOTOR CONTROLS INSTALLATION (M600, M600J & M600JP ONLY)	1-A
201	4360336	1	Switch, Toggle	
201	3790012	1	O-Ring	
201	4922222	1	Harness (See ELECTRICAL SECTION for Breakdown)	
201	4922223	1	Harness (See ELECTRICAL SECTION for Breakdown)	
		Ref	SKYGUARD DECAL INSTALLATION	
262	1001141300	1	Decal - SkyGuard Override	
262	1001141302	1	Decal - SkyGuard/Soft Touch Override	
		Ref	SOFT TOUCH COMPONENTS	
	0270516	Ref	6ft (1.83m) Platform	
	0270405	Ref	8ft (2.44m) Platform	
	4933145	Ref	Electrical Components	2-B
301	4360387	1	Switch, Push Button	
302	4460428	1	Connector, Strain Relief	
303	1702938	1	Decal - Soft Touch Override	
		Ref	WORKLIGHTS INSTALLATION (OPTIONAL)	
	0259338	Ref	Standard Spec	C
	0271301	Ref	UL Rated Spec	C

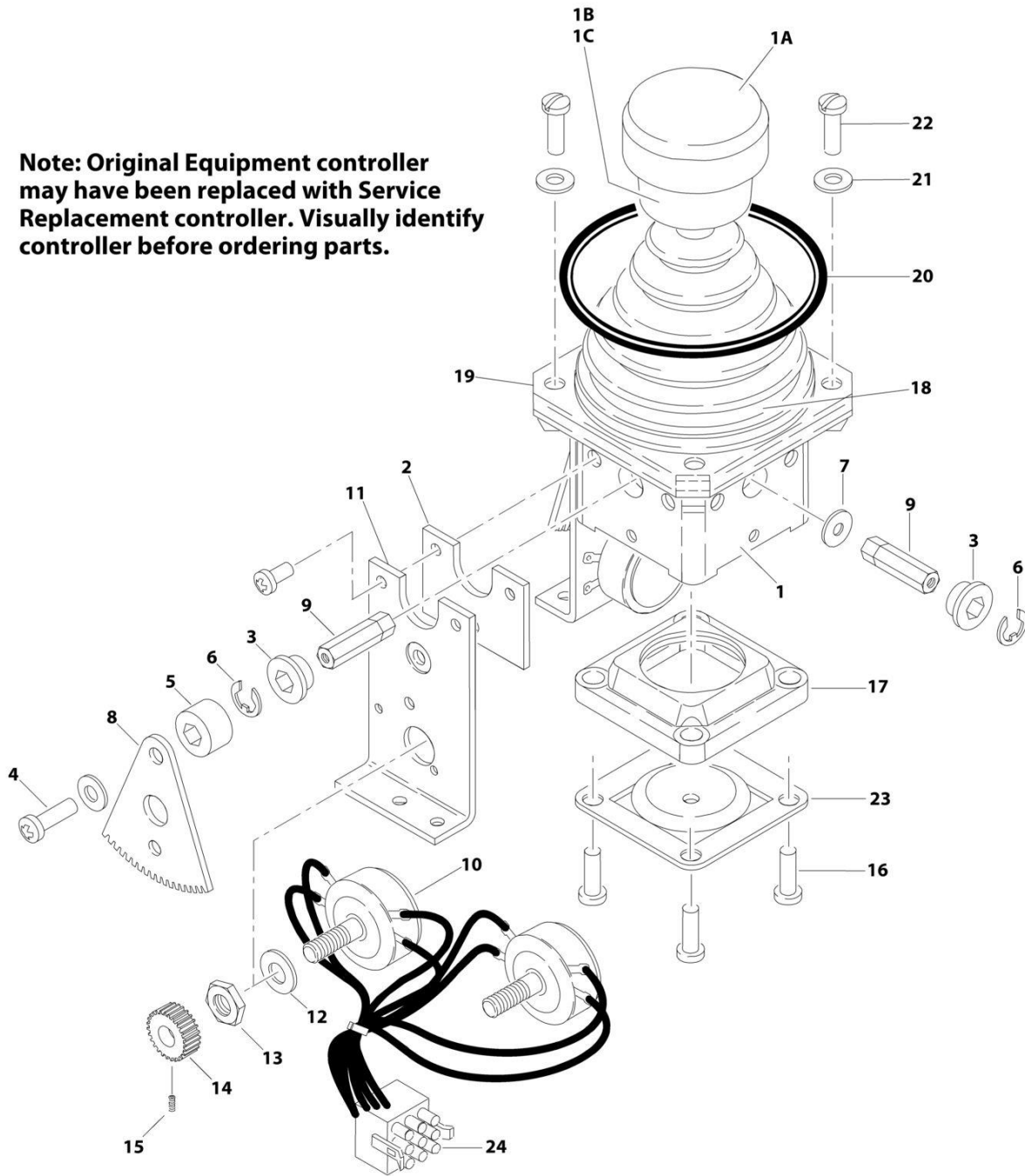
SECTION 4 - PLATFORM

ITEM	PART NUMBER	QTY	DESCRIPTION	REV
401	4360522	1	Switch, Push Button	
402	1705170	1	Decal - Lights	

SECTION 4 - PLATFORM

FIGURE 4-6. CONTROLLER ASSEMBLY (SWING AND LIFT) (Prior to SN 0300146804)

Note: Original Equipment controller may have been replaced with Service Replacement controller. Visually identify controller before ordering parts.



ART_1600274

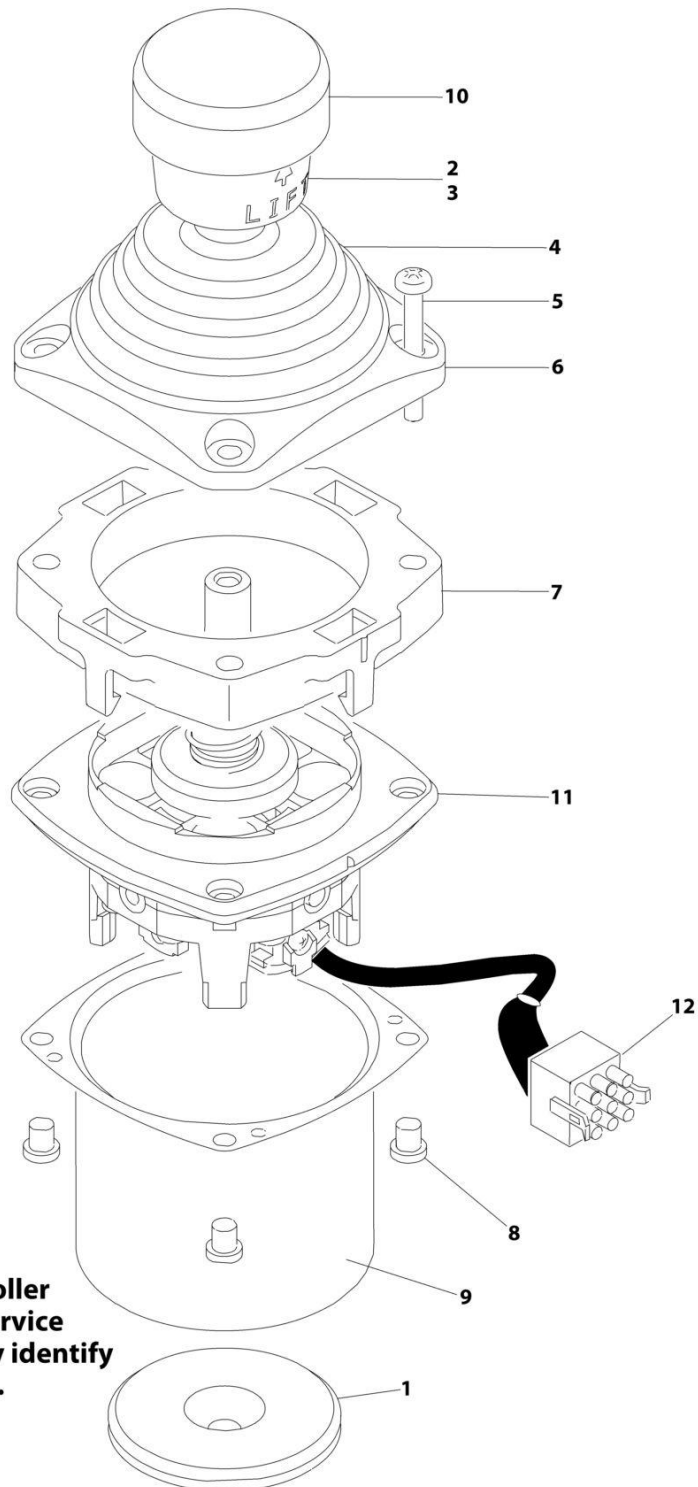
SECTION 4 - PLATFORM

FIGURE 4-6. CONTROLLER ASSEMBLY (SWING AND LIFT) (Prior to SN 0300146804)

ITEM	PART NUMBER	QTY	DESCRIPTION	REV
		Ref	Note: Original Equipment controller may have been replaced with Service Replacement controller. Visually identify controller before ordering parts.	
	1600274	Ref	CONTROLLER ASSEMBLY (Prior to SN 0300146804)	F
		Ref	Note: Use p/n 1001178139 as Service Replacement.	
1	7019141	1	Mechanical Assembly (Includes Base, Handle Stem and Items 1A, 1B, 1C & 18)	
1A	7019197	1	Handle Cap and Rod	
1B	7003928	1	Spring	
1C	7022808	1	Cap, Lift	
2	7019142	2	Plate	
3	7019111	4	Bearing, Gear	
4	7019143	2	Screw	
5	7019144	2	Spacer	
6	7019145	4	E-Clip	
7	7019174	2	Spacer, Cam	
8	7003977	2	Gear, Drive	
9	7019147	4	Shaft	
10	7019195	2	Potentiometer Assembly	
10	7003974	1	Potentiometer	
11	7019142	2	Plate	
12	7003992	2	Washer	
13	7003993	2	Nut	
14	7003976	2	Gear, Slave	
15	7019149	2	Setscrew	
16	7003952	4	Screw	
17	7019150	1	Gate	
18	7022813	1	Boot (was p/n 7003955)	
19	7022813	1	Plate, Plastic (was p/n 7003954)	
20	7003956	1	O-Ring	
21	7003953	4	Washer	
22	7019137	4	Screw	
23	7019170	1	Center, Detent	
24	4460265	1	Plug, Male - 9 Position	
24	4460226	8	Socket, Female	

SECTION 4 - PLATFORM

FIGURE 4-7. CONTROLLER ASSEMBLY (SWING AND LIFT) (SN 0300146804 through 0300194270)



Note: Original Equipment controller may have been replaced with Service Replacement controller. Visually identify controller before ordering parts.

ART_1001118419

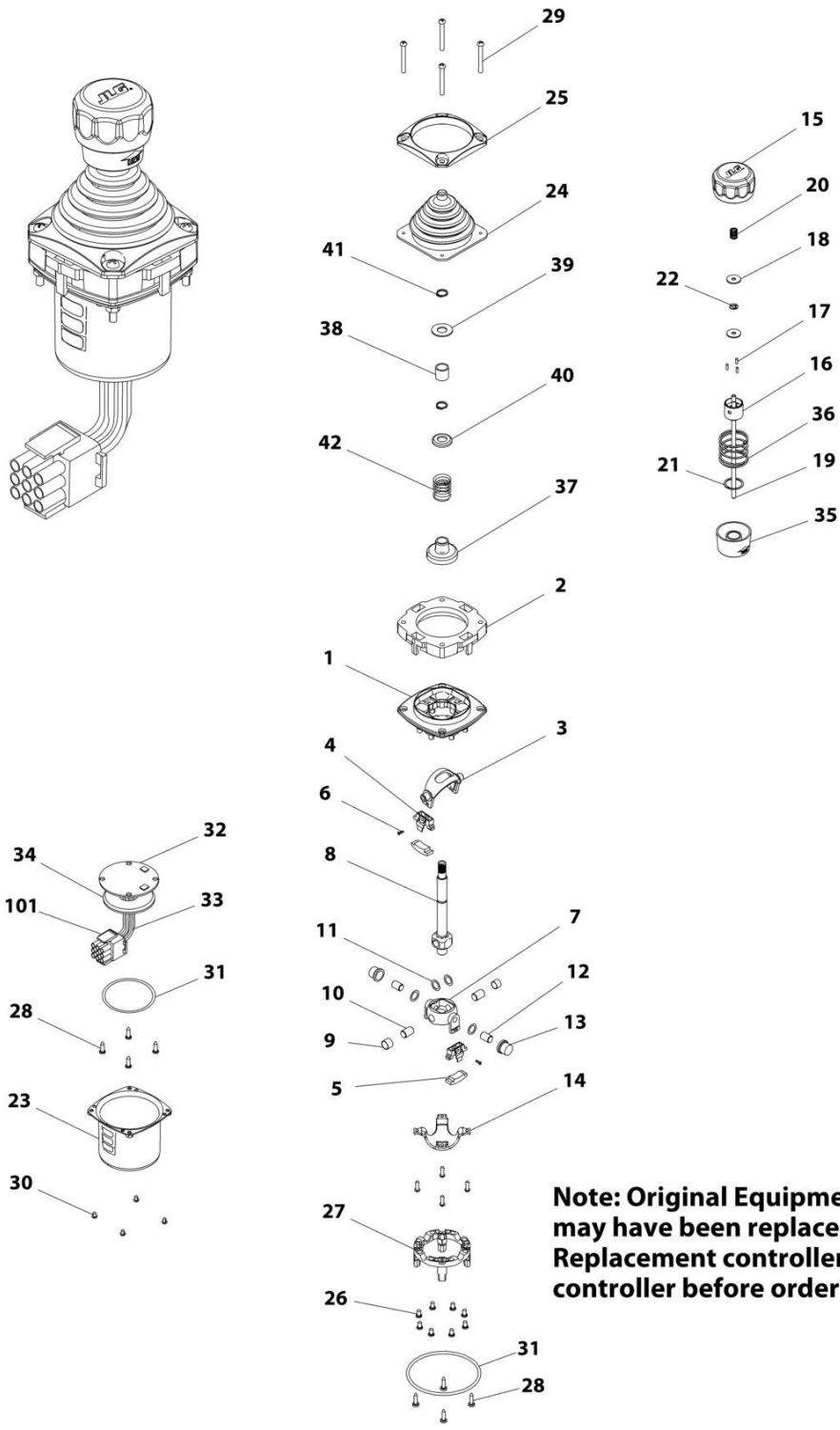
SECTION 4 - PLATFORM

FIGURE 4-7. CONTROLLER ASSEMBLY (SWING AND LIFT) (SN 0300146804 through 0300194270)

ITEM	PART NUMBER	QTY	DESCRIPTION	REV
		Ref	Note: Original Equipment controller may have been replaced with Service Replacement controller. Visually identify controller before ordering parts.	
	1001118419	Ref	CONTROLLER ASSEMBLY (SN 0300146804 through 0300194270)	D
		Ref	Note: Use p/n 1001178139 as Service Replacement.	
1	70002730	1	Gasket	
2	7003928	1	Spring	
3	7022808	1	Cap, Lift	
4	70002731	1	Boot	
5	70002732	4	Screw	
6	7022815	1	Bezel	
7	70002733	1	Adapter	
8	70002734	4	Screw	
9	70002735	1	Can, Enclosure	
10	1001118419	NSS	Cap (Note: Use p/n 1001178139)	
11	1001118419	NSS	Mechanical Assembly (Note: Use p/n 1001178139)	
12	4460265	1	Plug, Male - 9 Position	
12	4460266	8	Socket, Female	

SECTION 4 - PLATFORM

FIGURE 4-8. CONTROLLER ASSEMBLY (SWING AND LIFT) (SN 0300194271 through 0300219271)



ART_1001178139

SECTION 4 - PLATFORM

FIGURE 4-8. CONTROLLER ASSEMBLY (SWING AND LIFT) (SN 0300194271 through 0300219271)

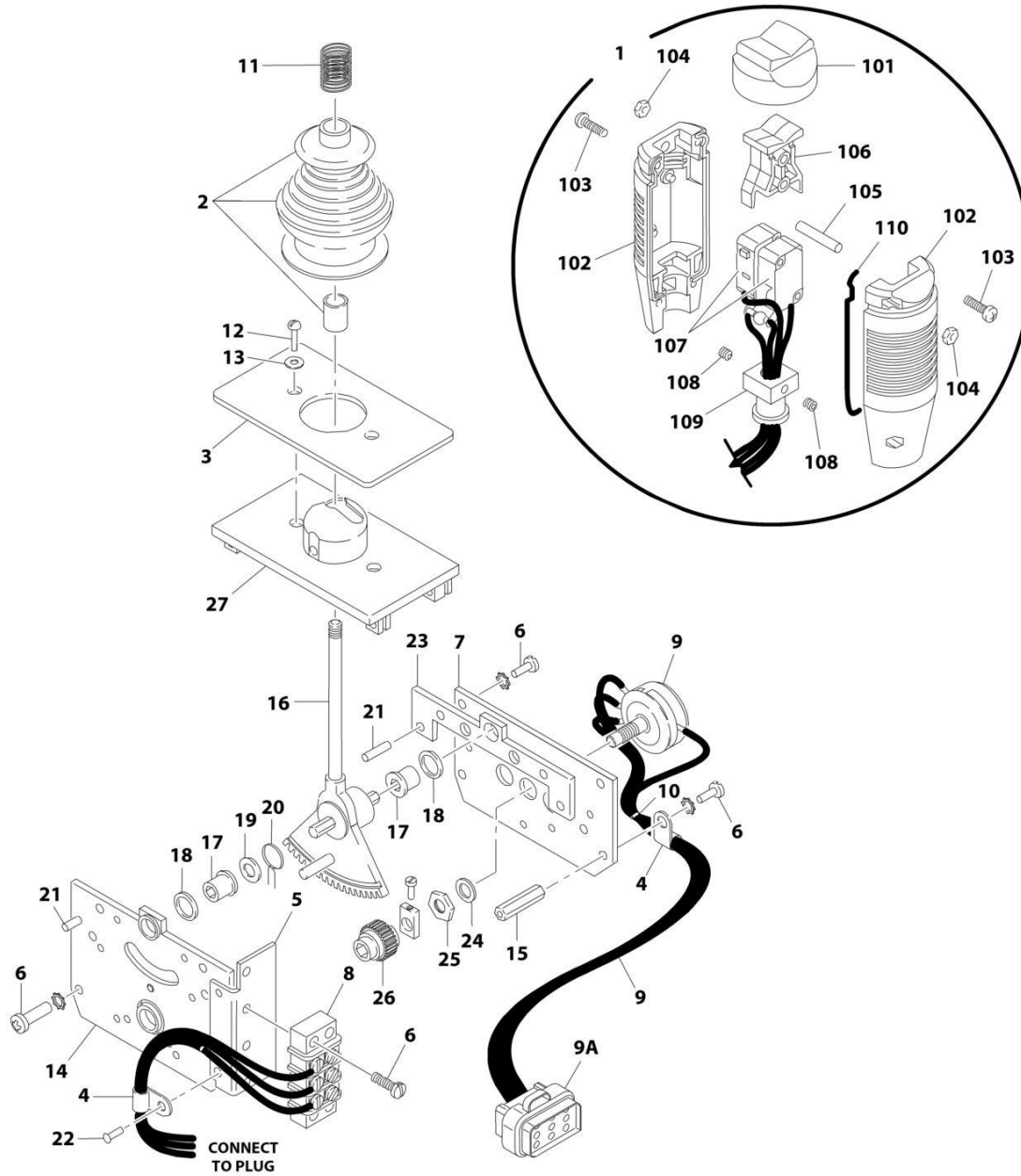
ITEM	PART NUMBER	QTY	DESCRIPTION	REV
		Ref	Note: Original Equipment controller may have been replaced with Service Replacement controller. Visually identify controller before ordering parts.	
	1001178139	Ref	CONTROLLER ASSEMBLY (SN 0300194271 through 0300219271)	D
1	See Note	NSS	Main Cast Body (Note: Not Available - Purchase Complete Assembly)	
2	70004752	1	Adapter	
3	See Note	NSS	Pivot Arm, Plastic (Note: Not Available - Purchase Complete Assembly)	
4	See Note	NSS	Holder, Magnet (Note: Not Available - Purchase Complete Assembly)	
5	See Note	NSS	Arc, Magnet (Note: Not Available - Purchase Complete Assembly)	
6	See Note	NSS	Screw (Note: Not Available for Purchase)	
7	See Note	NSS	Pivot Arm, Cast (Note: Not Available - Purchase Complete Assembly)	
8	See Note	NSS	Shaft, Main (Note: Not Available - Purchase Complete Assembly)	
9	See Note	NSS	Bearing (Note: Not Available - Purchase Complete Assembly)	
10	See Note	NSS	Pin (Note: Not Available - Purchase Complete Assembly)	
11	See Note	NSS	Shim (Note: Not Available - Purchase Complete Assembly)	
12	See Note	NSS	Pin (Note: Not Available - Purchase Complete Assembly)	
13	See Note	NSS	Bearing (Note: Not Available - Purchase Complete Assembly)	
14	See Note	NSS	Dome, Centering (Note: Not Available - Purchase Complete Assembly)	
15	70004753	1	Cap	
16	70004754	1	Insert, Cap	
17	70004755	3	Pin	
18	70004756	2	Washer	
19	70004757	1	Pin, Centering	
20	70004758	1	Spring	
21	70004759	1	Ring, Retaining	
22	70004760	1	E-Ring	
23	70004761	1	Can, Enclosure	
24	70004762	1	Boot	
25	70004763	1	Bezel	
26	See Note	NSS	Screw (Note: Not Available for Purchase)	
27	See Note	NSS	Base Mounting (Note: Not Available - Purchase Complete Assembly)	
28	See Note	NSS	Screw (Note: Not Available for Purchase)	
29	70004764	4	Screw	
30	70004765	4	Screw	
31	70004766	1	O-Ring	
32	See Note	NSS	Plate (Note: Not Available - Purchase Complete Assembly)	
33	See Note	NSS	Harness (Note: Not Available - Purchase Complete Assembly)	
34	70004767	1	Grommet, Rubber	
35	70004768	1	Housing	
36	70004769	1	Spring	
37	70004770	1	Stopper	
38	70004771	1	Spacer	
39	70004772	1	Washer	
40	70004773	1	Disc	
41	70004774	2	Ring, Retaining	

SECTION 4 - PLATFORM

ITEM	PART NUMBER	QTY	DESCRIPTION	REV
42	70004775	1	Spring	
101	4460265	1	Connector - 9 Position	
101	4460226	6	Socket, Female	

SECTION 4 - PLATFORM

FIGURE 4-9. CONTROLLER ASSEMBLY (DRIVE AND STEER) (Prior to SN 0300146804)



Note: Original Equipment controller may have been replaced with Service Replacement controller. Visually identify controller before ordering parts.

ART_1600273

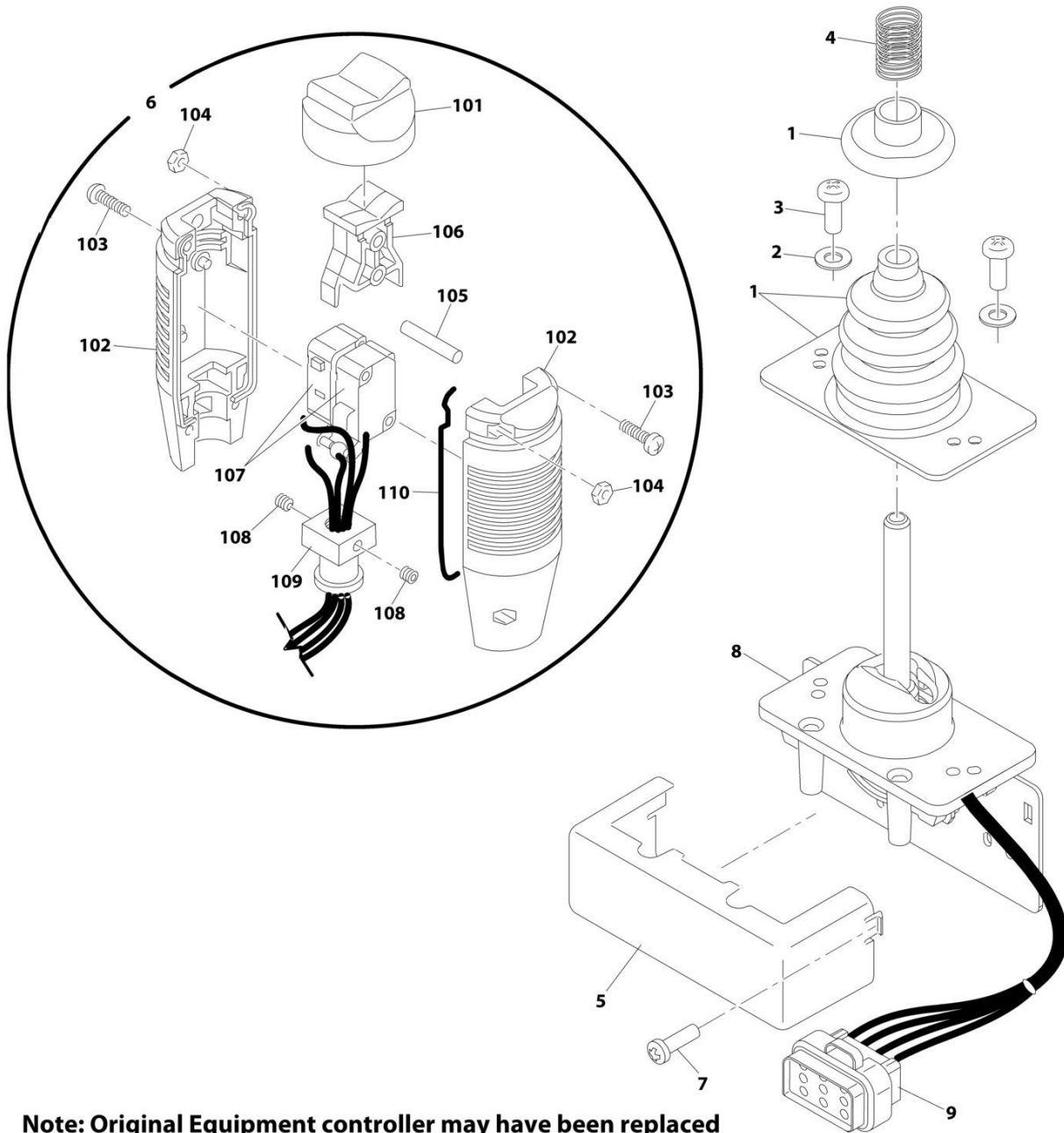
SECTION 4 - PLATFORM

FIGURE 4-9. CONTROLLER ASSEMBLY (DRIVE AND STEER) (Prior to SN 0300146804)

ITEM	PART NUMBER	QTY	DESCRIPTION	REV
		Ref	Note: Original Equipment controller may have been replaced with Service Replacement controller. Visually identify controller before ordering parts.	
	1600273	Ref	CONTROLLER ASSEMBLY (Prior to SN 0300146804)	G
		Ref	Note: Use p/n 1001178132 as Service Replacement.	
1	7022812	1	Handle Assembly (See Items 101-110 for Breakdown)	
2	7019161	1	Boot and Sleeve	
3	7003933	1	Gasket	
4	7019154	2	Clamp, Wire	
5	7019159	1	Bracket, Mounting	
6	7003994	10	Screw	
7	7019157	1	Plate, Pot Mounting	
8	7003986	1	Strip, Terminal - 3 Position	
9	7019191	1	Electric Assembly	
9	7003974	1	Potentiometer	
9A	4460265	1	Plug, Male - 9 Position	
9A	4460226	7	Socket, Female	
10	7019151	AR	Tie-Strap	
11	7019162	1	Spring	
12	7003940	2	Screw (was p/n 7003969)	
13	7003941	2	Washer	
14	7019158	1	Plate, Mounting (Left Side)	
15	7019115	2	Stand-Off	
16	100118418	NLA	Shaft 8mm (Note: Use p/n 1001178132)	
17	7019111	2	Bearing	
18	7019110	2	Spacer, Head Gear	
19	7019112	1	Washer	
20	7003946	1	Spring, Return	
21	7019103	4	Pin	
22	See Note	NSS	Rivet (Note: Not Available - Purchase Locally)	
23	7019168	1	Plate, Mounting (Right Side)	
24	7003992	1	Washer	
25	7003993	1	Nut	
26	7003935	1	Gear, Slave	
27	7019160	1	Base	
	7022812	Ref	HANDLE ASSEMBLY	
101	7003972	1	Boot, Switch	
102	7003973	2	Half, Handle	
103	7003980	4	Screw	
104	7019167	4	Nut	
105	7019164	1	Axle	
106	7019165	1	Rocker	
107	7019196	1	Wiring Assembly	
107	7003982	2	Switch, Micro	
108	7003983	2	Setscrew	
109	7019194	1	Coupling	
110	7003989	2	Gasket	

SECTION 4 - PLATFORM

FIGURE 4-10. CONTROLLER ASSEMBLY (DRIVE AND STEER) (SN 0300146804 through 0300194270)



Note: Original Equipment controller may have been replaced with Service Replacement controller. Visually identify controller before ordering parts.

ART_1001118418

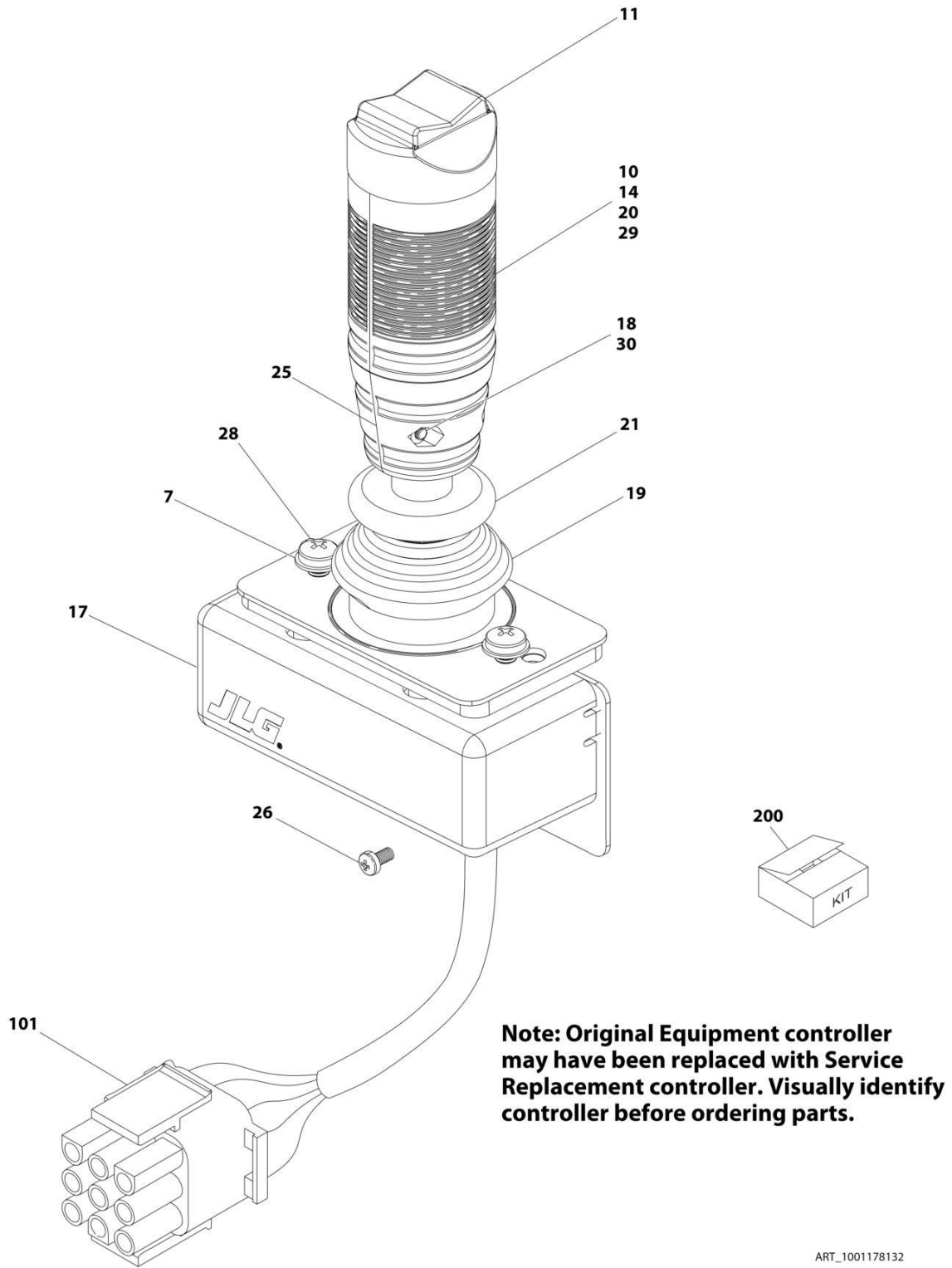
SECTION 4 - PLATFORM

FIGURE 4-10. CONTROLLER ASSEMBLY (DRIVE AND STEER) (SN 0300146804 through 0300194270)

ITEM	PART NUMBER	QTY	DESCRIPTION	REV
		Ref	Note: Original Equipment controller may have been replaced with Service Replacement controller. Visually identify controller before ordering parts.	
	1001118418	Ref	CONTROLLER ASSEMBLY (SN 0300146804 through 0300194270)	D
		Ref	Note: Use p/n 1001178132 as Service Replacement.	
1	70002724	1	Boot and Control Lock Assembly	
2	7003941	2	Washer	
3	70002725	2	Screw	
4	7019162	1	Spring	
5	70002726	1	Enclosure	
6	70002736	1	Handle Assembly (See Items 101-110 for Breakdown)	
7	70002728	1	Screw	
8	1001118418	NLA	Mechanical Assembly (Note: Use p/n 1001178132)	
9	4460265	1	Plug, Male - 9 Position	
9	4460226	7	Socket, Female	
	70002736	Ref	HANDLE ASSEMBLY	
101	7003972	1	Boot, Switch	
102	7003973	2	Half, Handle	
103	7003980	4	Screw	
104	7019167	4	Nut	
105	7019164	1	Axle	
106	7019165	1	Rocker	
107	70002737	1	Wiring Assembly	
107	7003982	2	Switch, Micro	
108	7003983	2	Setscrew	
109	7019194	1	Coupling	
110	7003989	2	Gasket	

SECTION 4 - PLATFORM

FIGURE 4-11. CONTROLLER ASSEMBLY (DRIVE AND STEER) (SN 0300194271 through 0300219271)



ART_1001178132

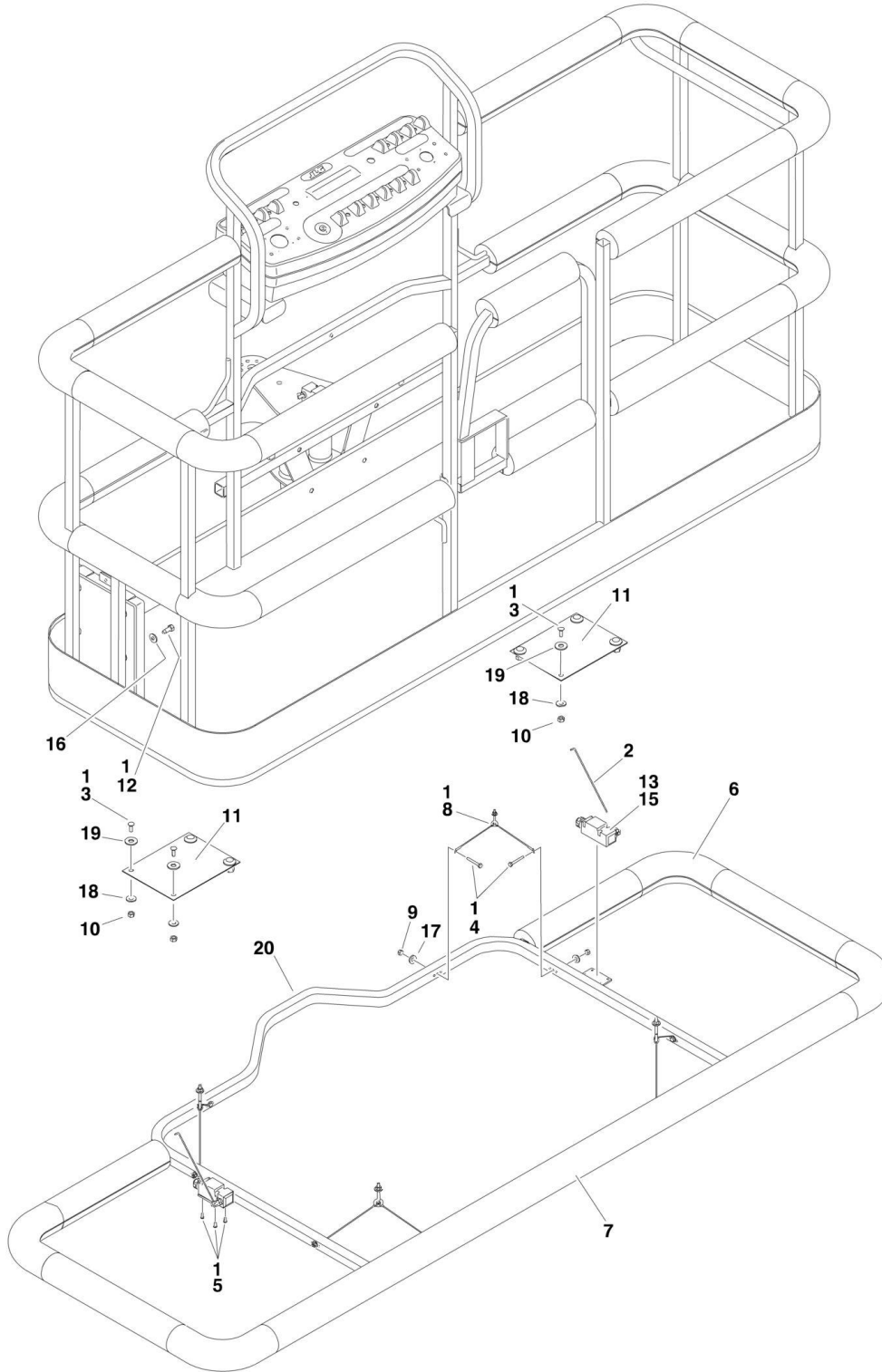
SECTION 4 - PLATFORM

FIGURE 4-11. CONTROLLER ASSEMBLY (DRIVE AND STEER) (SN 0300194271 through 0300219271)

ITEM	PART NUMBER	QTY	DESCRIPTION	REV
		Ref	Note: Original Equipment controller may have been replaced with Service Replacement controller. Visually identify controller before ordering parts.	
	1001178132	Ref	CONTROLLER ASSEMBLY (SN 0300194271 through 0300219271)	E
7	70004738	2	Washer	
10	70004739	1	Roller	
11	70004740	1	Boot, Switch	
14	70004741	2	Half, Handle	
17	70004742	1	Enclosure	
18	70004743	4	Nut	
19	70004744	NLA	Boot, Controller (Use Item 200)	
20	70004745	NLA	Tube, Locking (Use Item 200)	
21	70004746	NLA	Disc, Locking (Use Item 200)	
25	70004747	2	Seal, Rope	
26	70004748	1	Screw, M3 x 6mm	
28	70004749	2	Screw, M5 x 20mm	
29	70004750	1	Pin, Dowel	
30	70004751	4	Screw, M3 x 16mm	
101	4460265	1	Connector - 9 Position	
101	4460226	7	Socket, Female	
200	70005230	1	Boot Kit (Includes Items 19-21)	

SECTION 4 - PLATFORM

FIGURE 4-12. SOFT TOUCH INSTALLATION (FRONT ENTRY PLATFORM)



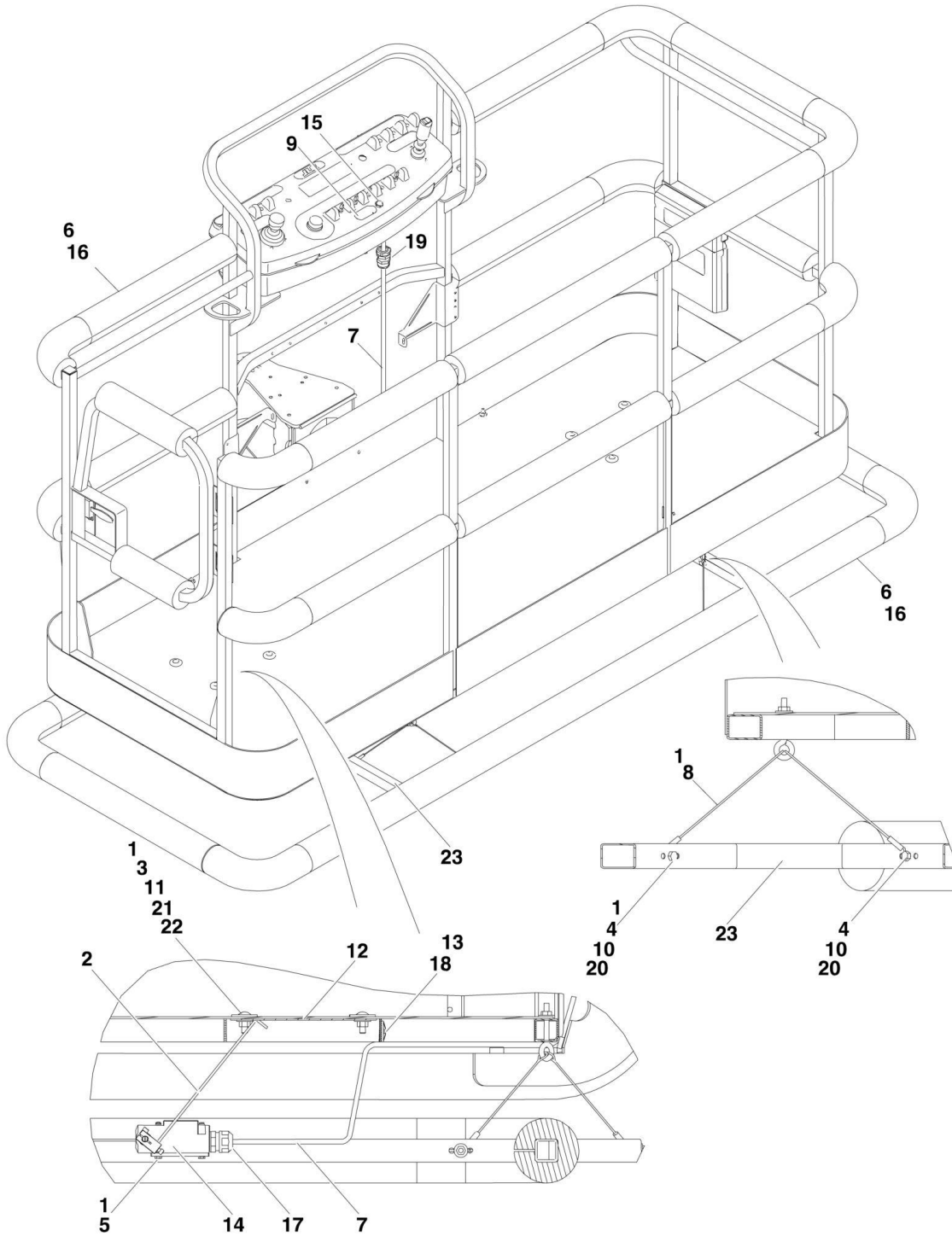
SECTION 4 - PLATFORM

FIGURE 4-12. SOFT TOUCH INSTALLATION (FRONT ENTRY PLATFORM)

ITEM	PART NUMBER	QTY	DESCRIPTION	REV
		Ref	SOFT TOUCH INSTALLATION	
	0270516	Ref	6ft (1.83m) Platform	A
	0270405	Ref	8ft (2.44m) Platform	A
1	0100011	AR	Locking, Compound	
2	0200048	2	Arm, Switch Activator	
3	0630462	8	Bolt, Carriage	
4	0641414	8	Bolt 1/4in-20NC x 1 3/4in	
5	0731005	4	Screw #10-32NF x 5/8in	
6	0940092	12	Bumper, Corner	
7	0940094	2	Bumper, Center	
8	1060903	4	Wire Rope and Eyebolt Assembly	
9	3311401	10	Nut 1/4in-20NC	
10	3311501	8	Nut 5/16in-18NC	
11	3539719	2	Plate, Switch Strike	
12	3941405	2	Screw 1/4in-20NC x 5/8in	
13	4360057	2	Switch, Limit	
14	4420068	AR	Tape, Yellow Adhesive (Not Shown)	
15	4460049	2	Connector, Strain Relief	
16	4711400	AR	Flatwasher 1/4in Thin	
17	4751400	AR	Flatwasher 1/4in Regular	
18	4751500	12	Flatwasher 5/16in Regular	
19	4751800	8	Flatwasher 1/2in Regular	
20		Ref	Soft Touch Rail Options:	
20	4846370	1	6ft (1.83m) Platform	
20	4846277	1	8ft (2.44m) Platform	

SECTION 4 - PLATFORM

FIGURE 4-13. SOFT TOUCH INSTALLATION (SIDE ENTRY PLATFORM)



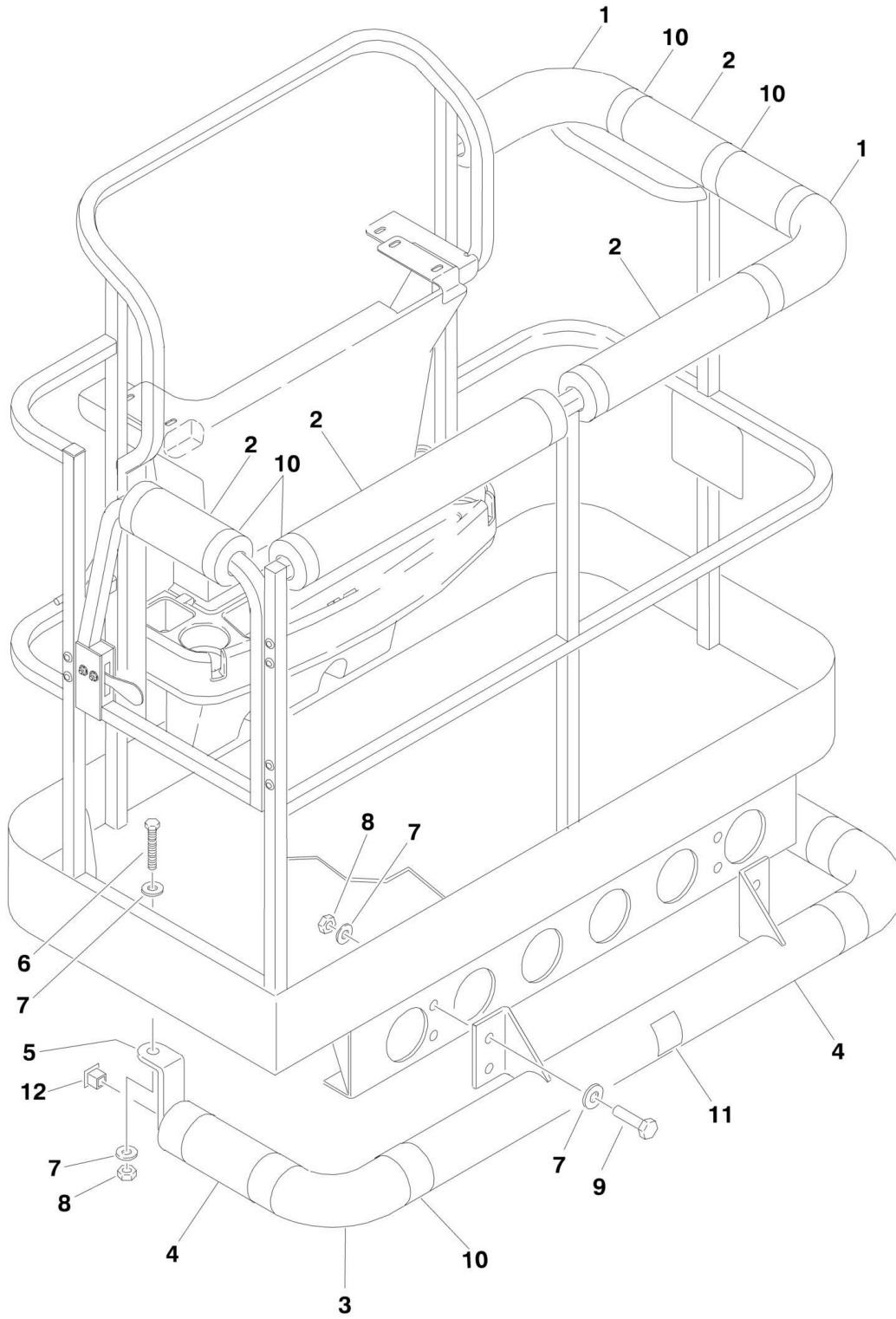
SECTION 4 - PLATFORM

FIGURE 4-13. SOFT TOUCH INSTALLATION (SIDE ENTRY PLATFORM)

ITEM	PART NUMBER	QTY	DESCRIPTION	REV
		Ref	SOFT TOUCH INSTALLATION	
	0274323	Ref	30in x 72in (76cm x 183cm) Platform	B
	0274927	Ref	36in x 72in (91cm x 183cm) Platform (With Fall Arrest)	B
1	0100011	AR	Locking, Compound	
2	0200048	2	Arm, Switch Activator	
3	0630462	8	Bolt, Carriage	
4	0641414	8	Bolt 1/4in-20NC x 1 3/4in	
5	0731005	4	Screw #10-32NF x 5/8in	
6		Ref	Bumper, Kit Options:	
6		Ref	30in x 72in (76cm x 183cm) Platform:	
6	0940167	1	Bumper, Kit	
6	0940092	10	Bumper (Corner)	
6	0940094	AR	Bumper (28ft Length)	
6		Ref	36in x 72in (76cm x 183cm) Platform:	
6	0940177	1	Bumper, Kit	
6	0940092	8	Bumper (Corner)	
6	0940094	AR	Bumper (28ft Length)	
7		Ref	Cable, Electrical Options:	
7	1060494	15 ft/4.6m	Cable, Electrical 12/3 (30in x 72in (76cm x 183cm) Platform)	
7	1060341	23 ft/7m	Cable, Electrical 12/2 (36in x 72in (76cm x 183cm) Platform)	
8	1060903	4	Wire Rope and Eyebolt Assembly	
9	1702938	1	Decal - Soft Touch Override	
10	3311401	8	Nut 1/4in-20NC	
11	3311501	8	Nut 5/16in-18NC	
12		Ref	Plate, Switch Strike Options:	
12	3575705	2	30in x 72in (76cm x 183cm) Platform	
12	3575359	2	36in x 72in (76cm x 183cm) Platform	
13	4240099	1	Tie, Wire (Not Shown)	
14	4360057	2	Switch, Limit	
15	4360387	1	Switch, Push Button	
16	4420068	AR	Tape, Yellow Adhesive	
16	1001197017	AR	Tie-Strap (Yellow)	
17	4460049	2	Connector, Strain Relief	
18	4460234	AR	Terminal, Mount	
19	4460425	1	Connector, Strain Relief	
20	4751400	AR	Flatwasher 1/4in Regular	
21	4751500	8	Flatwasher 5/16in Regular	
22	4751800	8	Flatwasher 1/2in Regular	
23	4846370	1	Soft Touch Rail	

SECTION 4 - PLATFORM

FIGURE 4-14. PLATFORM PADDING INSTALLATION (SIDE ENTRY PLATFORM)



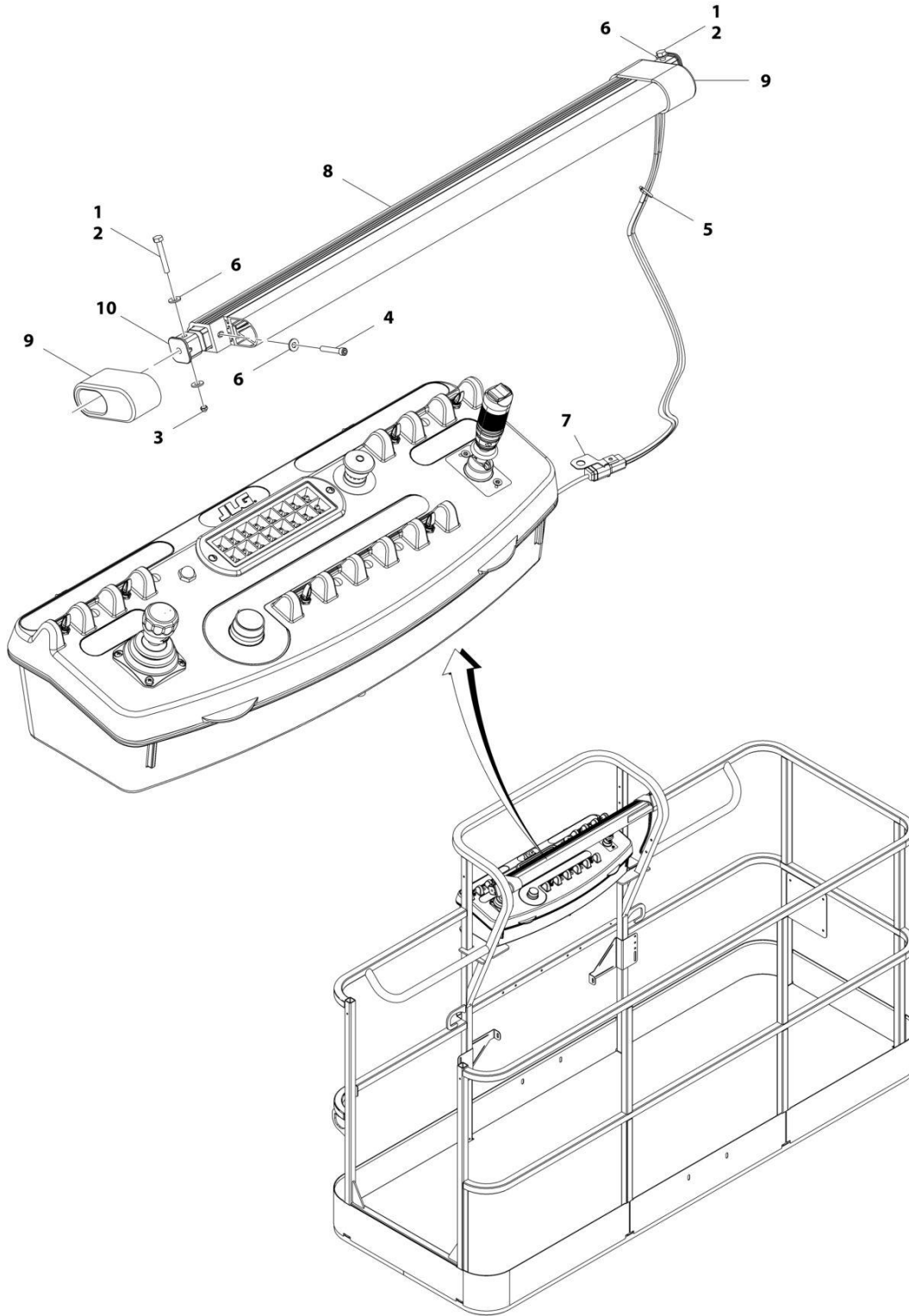
SECTION 4 - PLATFORM

FIGURE 4-14. PLATFORM PADDING INSTALLATION (SIDE ENTRY PLATFORM)

ITEM	PART NUMBER	QTY	DESCRIPTION	REV
		Ref	PLATFORM PADDING INSTALLATION	
	0273381	Ref	30in x 48in Platform	2-A
	0274382	Ref	30in x 72in Platform	A
1	0940092	2	Pad, Corner Bumper Options:	
2	0940094	AR	Pad, Bumper Options:	
2	0940094	63 in /1.6m	30in x 48in Platform	
2	0940094	76.25 in /1.94m	30in x 72in Platform (Not Used on Gate)	
3		Ref	Pad, Corner Bumper Options:	
3	0940091	2	30in x 48in Platform	
3	0940092	2	30in x 72in Platform	
4		Ref	Pad, Bumper Options:	
4	0940093	51 in /1.3m	30in x 48in Platform	
4	0940094	64 in /1.6m	30in x 72in Platform	
5		Ref	Rail, Bumper Options:	
5	4846936	1	30in x 48in Platform	
5	3641586	1	30in x 72in Platform (Not Shown)	
6		Ref	Bolt Options:	
6	0641516	2	30in x 48in Platform (5/16in-18NC x 2in)	
6	0641616	2	30in x 72in Platform (3/8in-16NC x 2in)	
7		Ref	Flatwasher Options:	
7	4751500	6	30in x 48in Platform (5/16in Regular)	
7	4751600	2	30in x 72in Platform (3/8in Regular)	
8		Ref	Locknut Options:	
8	3311505	6	30in x 48in Platform (5/16in-18NC)	
8	3311605	2	30in x 72in Platform (3/8in-16NC)	
8	3311805	4	30in x 72in Platform (1/2in-13NC)	
9		Ref	Bolt 5/16in-18NC x 3/4in	
9	0641506	4	30in x 48in Platform (5/16in-18NC x 3/4in)	
9	0641812	4	30in x 72in Platform (1/2in-13NC x 1-1/2in)	
10	4420068	Ref	Tape, Yellow Safety Options:	
10	4420068	30 ft /9.1m	30in x 48in Platform	
10	4420068	AR	30in x 72in Platform	
11		Ref	Decal - No Step	
11	Not Required	0	30in x 48in Platform	
11	1701691	1	30in x 72in Platform	
12		Ref	Plug, Cap	
12	Not Required	0	30in x 48in Platform	
12	3520072	2	30in x 72in Platform	
		Ref	Bumper Padding Kit Options:	
	See Note	0	30in x 48in Platform (Note: Not Available - Purchase Individual Pieces)	
	0940169	1	30in x 72in Platform (Includes Items 1-4)	

SECTION 4 - PLATFORM

FIGURE 4-15. SKYGUARD SYSTEM INSTALLATION



ART_1001187508

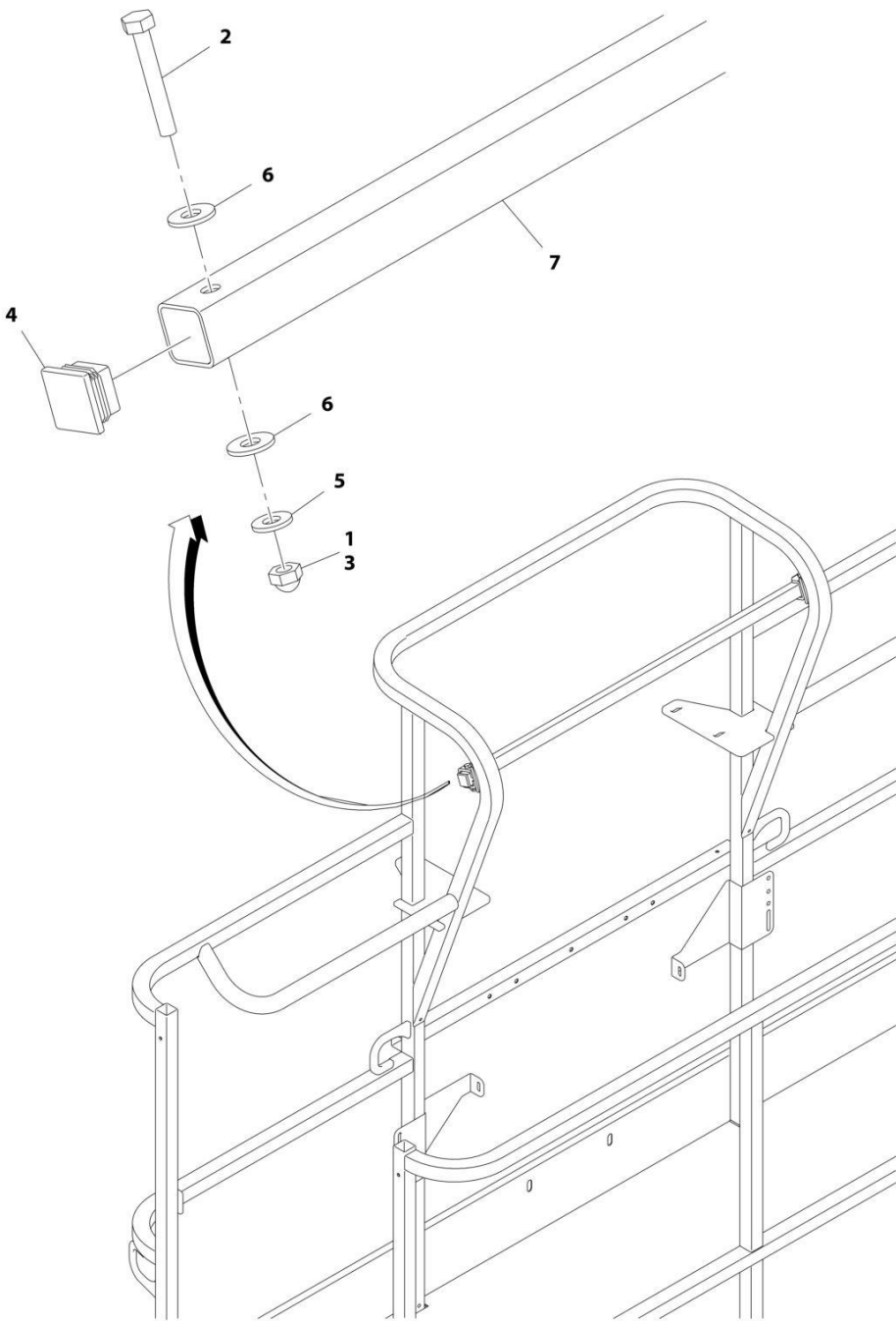
SECTION 4 - PLATFORM

FIGURE 4-15. SKYGUARD SYSTEM INSTALLATION

ITEM	PART NUMBER	QTY	DESCRIPTION	REV
	1001187508	Ref	SKYGUARD SYSTEM INSTALLATION (SN 0300200810 through 0300219271) Note: For Machines Prior to SN 0300200810 refer to SPECIAL OPTIONS Section.	A
		Ref		
1	0100011	AR	Compound, Locking	
2	0641414	2	Bolt, 1/4-20 x 1-3/4	
3	3300430	2	Nut, Acorn 1/4-20	
4	3931424	2	Capscrew, 1/4-20 x 1-1/2	
5	4240033	1	Tie-Strap	
6	4711400	6	Washer 1/4	
7	1001120328	1	Mount	
8	1001137673	1	Switch, SkyGuard Assembly	
9	1001186517	2	Cover, Platform Sensor	
10	1001188889	2	Support, Block	

SECTION 4 - PLATFORM

FIGURE 4-16. CROSS RAIL INSTALLATION



ART_1001182138

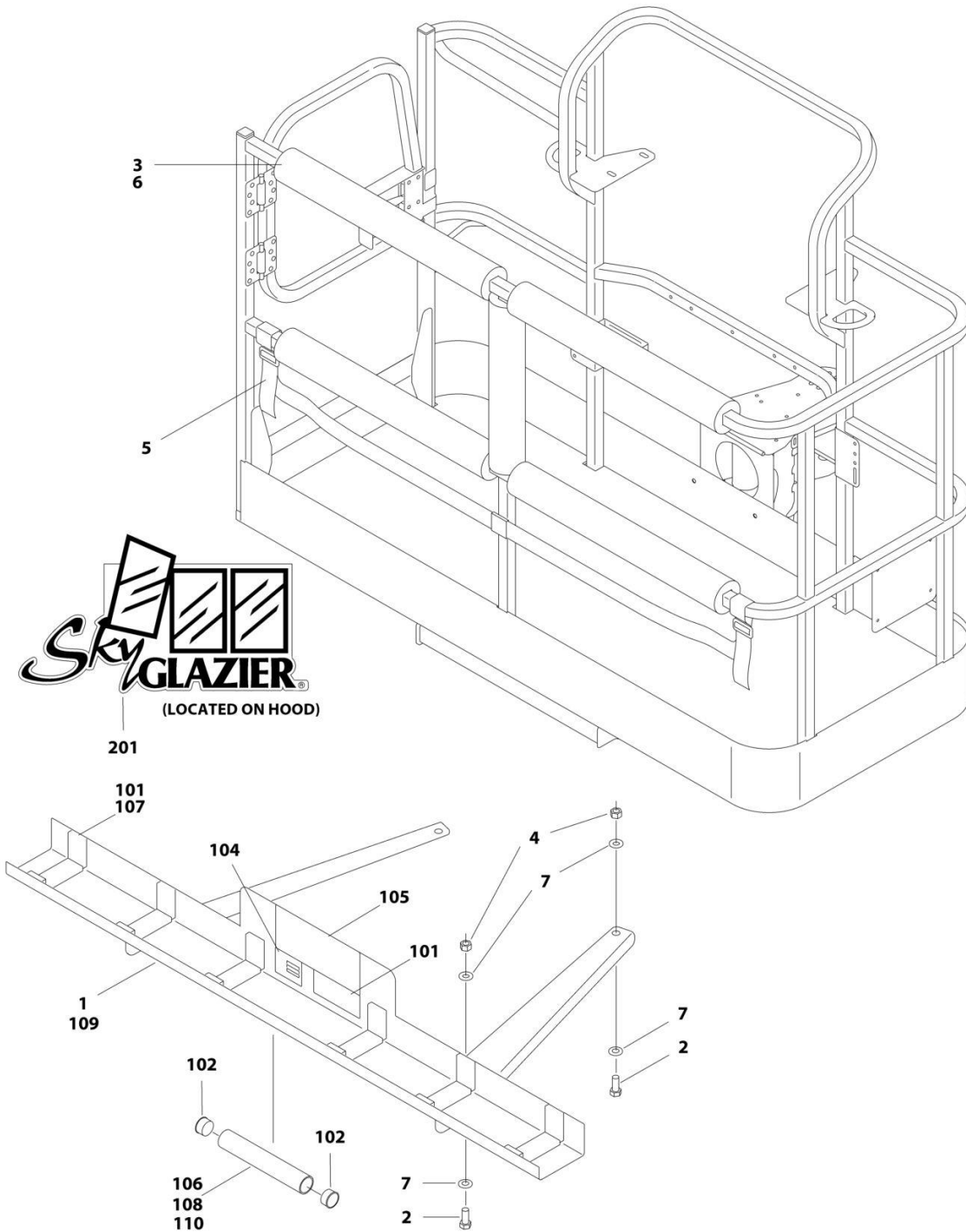
SECTION 4 - PLATFORM

FIGURE 4-16. CROSS RAIL INSTALLATION

ITEM	PART NUMBER	QTY	DESCRIPTION	REV
	1001182138	Ref	CROSS RAIL INSTALLATION	A
1	0100071	AR	Compound, Locking	
2	0641414	2	Bolt 1/4 x 1-3/4	
3	3300430	2	Nut 1/4	
4	3520182	2	Plug	
5	4711400	2	Washer 1/4	
6	4751400	4	Washer 1/4	
7	1001191708	1	Bar	

SECTION 4 - PLATFORM

FIGURE 4-17. SKYGLAZIER INSTALLATION (ANSI AND CSA SPECS)



ART_0275945

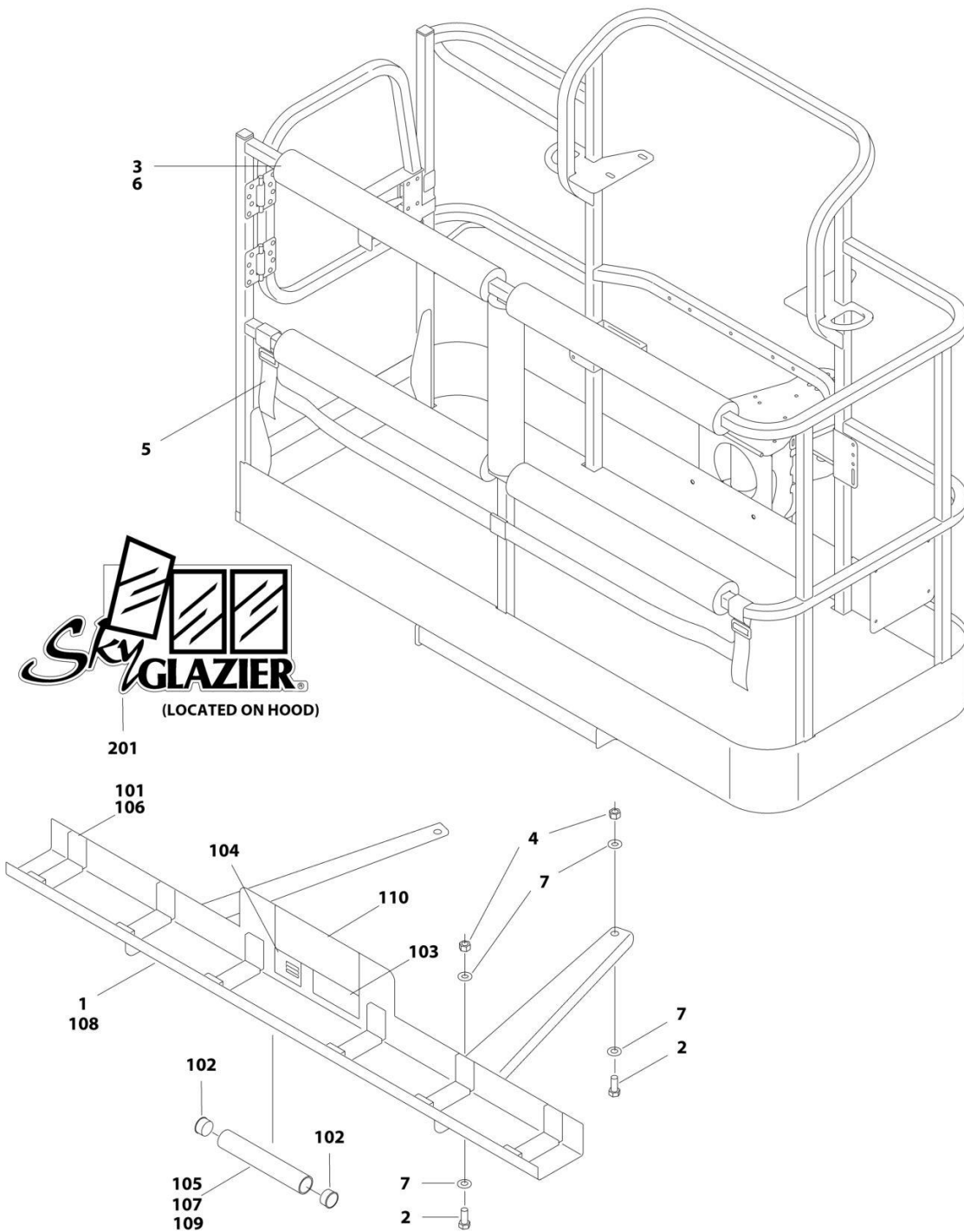
SECTION 4 - PLATFORM

FIGURE 4-17. SKYGLAZIER INSTALLATION (ANSI AND CSA SPECS)

ITEM	PART NUMBER	QTY	DESCRIPTION	REV
	0275945	Ref	SKYGLAZIER INSTALLATION (ANSI AND CSA SPECS)	A
1	0275928	1	SkyGlazier Assembly (See Items 101-110 for Breakdown)	
2	0642012	4	Bolt 5/8 x 1-1/2	
3	0940199	1	Bumper Kit	
4	3312005	4	Nut 5/8	
5	4240149	1	Strap Kit	
6	4420014	AR	Tape, Plastic	
7	4712000	8	Washer 5/8	
	0275928	Ref	SKYGLAZIER ASSEMBLY	A
101	0100081	AR	Loctite #454	
102	1120555	2	Cap, Manual Storage Tube	
103	1701509	1	Decal - Manual	
104	See Note	NSS	Nameplate (Note: Not Available for Purchase)	
105	1707192	1	Decal - Capacity	
107	3340956	1	Pad, Glazier Tray	
108	3460334	1	Tube, Manual Storage	
109	4341415	1	Tray	
110	4420066	AR	Tape, Double Sided	
	0272418	Ref	Decal - SkyGlazier	4
201	1705358	2	Decal - SkyGlazier	

SECTION 4 - PLATFORM

FIGURE 4-18. SKYGLAZIER INSTALLATION (ANSI EXPORT SPECS) (SPANISH/PORTUGUESE)



ART_1001091433

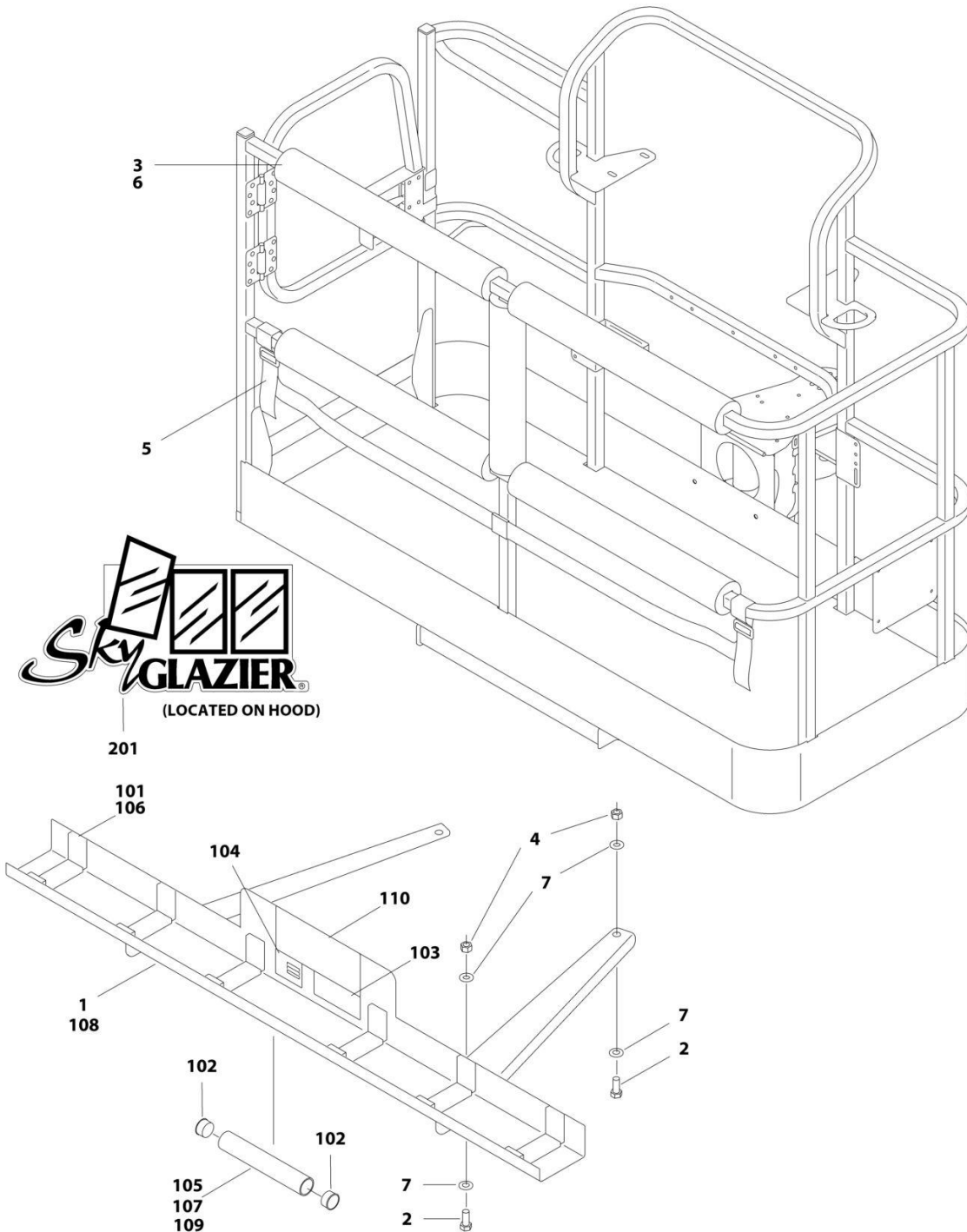
SECTION 4 - PLATFORM

FIGURE 4-18. SKYGLAZIER INSTALLATION (ANSI EXPORT SPECS) (SPANISH/PORTUGUESE)

ITEM	PART NUMBER	QTY	DESCRIPTION	REV
	1001091433	Ref	SKYGLAZIER INSTALLATION (ANSI EXPORT SPECS) (SPANISH/PORTUGUESE)	A
1	1001091431	1	SkyGlazier Assembly (See Items 101-110 for Breakdown)	
2	0642012	4	Bolt 5/8 x 1-1/2	
3	0940199	1	Bumper Kit	
4	3312005	4	Nut 5/8	
5	4240149	1	Strap Kit	
6	4420014	AR	Tape, Plastic	
7	4712000	8	Washer 5/8	
	1001091431	Ref	SKYGLAZIER ASSEMBLY	A
101	0100081	AR	Loctite #454	
102	1120555	2	Cap, Manual Storage Tube	
103	1701509	1	Decal - Manual	
104	See Note	NSS	Nameplate (Note: Not Available for Purchase)	
106	3340956	1	Pad, Glazier Tray	
107	3460334	1	Tube, Manual Storage	
108	4341415	1	Tray	
109	4420066	AR	Tape, Double Sided	
110	1001091429	1	Decal - Capacity	
	0272418	Ref	Decal - SkyGlazier	4
201	1705358	2	Decal - SkyGlazier	

SECTION 4 - PLATFORM

FIGURE 4-19. SKYGLAZIER INSTALLATION (ANSI EXPORT SPECS) (ENGLISH/SPANISH)



ART_1001091434

SECTION 4 - PLATFORM

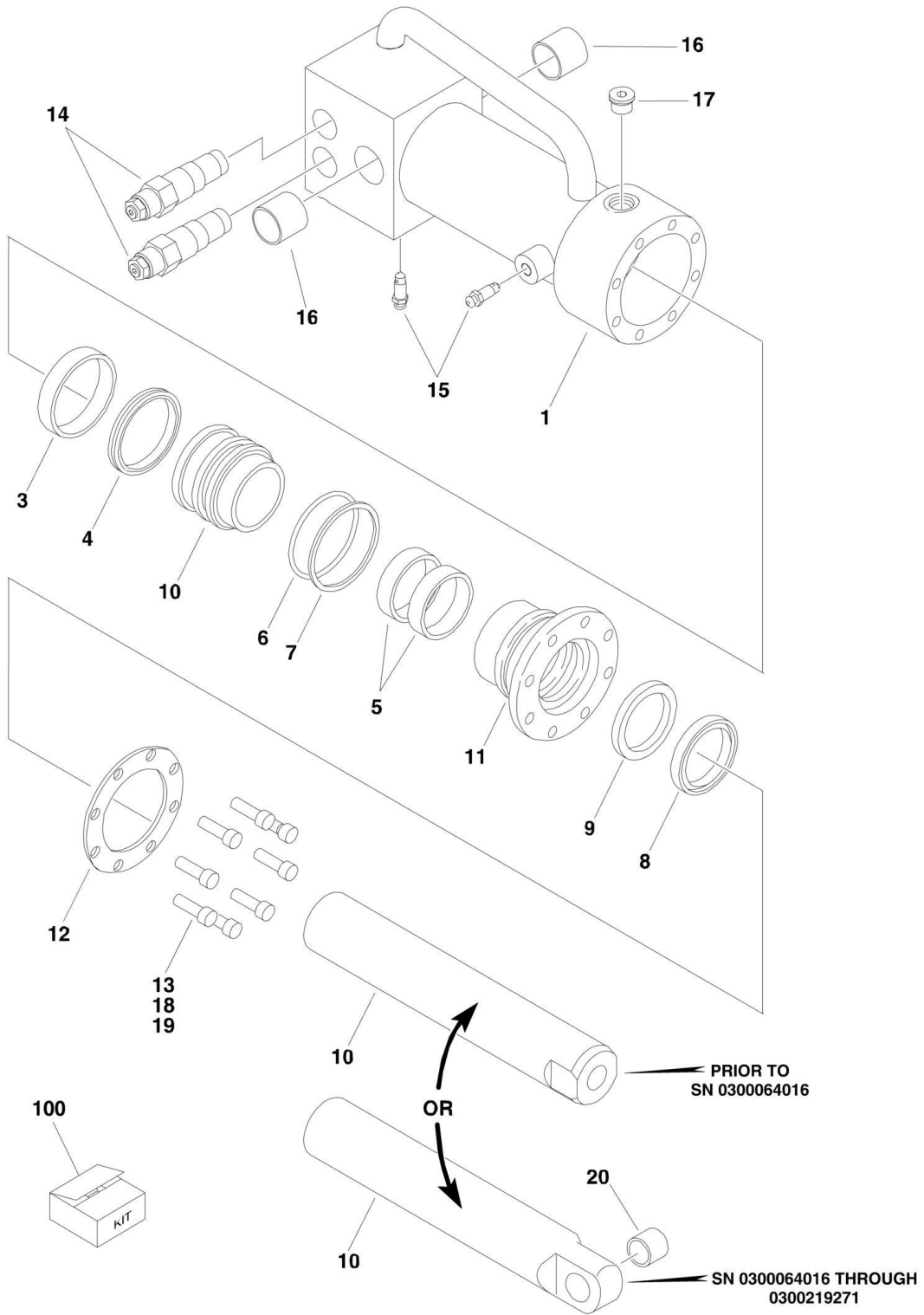
FIGURE 4-19. SKYGLAZIER INSTALLATION (ANSI EXPORT SPECS) (ENGLISH/SPANISH)

ITEM	PART NUMBER	QTY	DESCRIPTION	REV
	1001091434	Ref	SKYGLAZIER INSTALLATION (ANSI EXPORT SPECS) (ENGLISH/SPANISH)	A
1	1001091432	1	SkyGlazier Assembly (See Items 101-110 for Breakdown)	
2	0642012	4	Bolt 5/8 x 1-1/2	
3	0940199	1	Bumper Kit	
4	3312005	4	Nut 5/8	
5	4240149	1	Strap Kit	
6	4420014	AR	Tape, Plastic	
7	4712000	8	Washer 5/8	
	1001091432	Ref	SKYGLAZIER ASSEMBLY	A
101	0100081	AR	Loctite #454	
102	1120555	2	Cap, Manual Storage Tube	
103	1701509	1	Decal - Manual	
104	See Note	NSS	Nameplate (Note: Not Available for Purchase)	
106	3340956	1	Pad, Glazier Tray	
107	3460334	1	Tube, Manual Storage	
108	4341415	1	Tray	
109	4420066	AR	Tape, Double Sided	
110	1001091430	1	Decal - Capacity	
	0272418	Ref	Decal - SkyGlazier	4
201	1705358	2	Decal - SkyGlazier	

SECTION 5 - CYLINDER

SECTION 5 - CYLINDER

FIGURE 5-1. AXLE LOCKOUT CYLINDER ASSEMBLY



SECTION 5 - CYLINDER

FIGURE 5-1. AXLE LOCKOUT CYLINDER ASSEMBLY

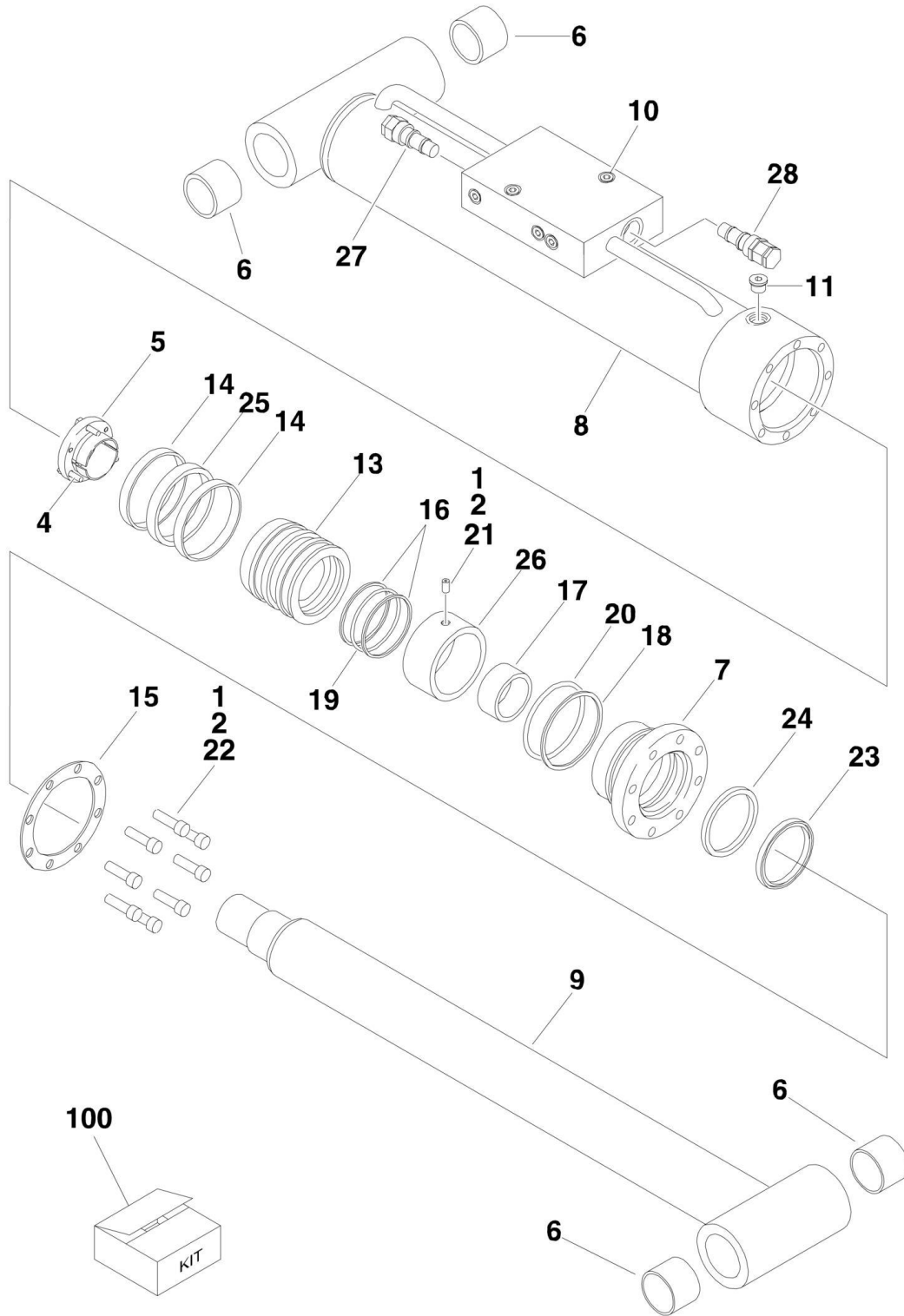
ITEM	PART NUMBER	QTY	DESCRIPTION	REV
		Ref	AXLE LOCKOUT CYLINDER ASSEMBLY OPTIONS:	
		Ref	2WD Machines without Tow Package	
	1683575	Ref	Axle Lockout Cylinder Assembly (Original Equipment) (Prior to SN 0300051263)	C
	1684139	Ref	Axle Lockout Cylinder Assembly (Service Replacement)	D
	1683931	Ref	Axle Lockout Cylinder Assembly (SN 0300051263 through 0300062043)	C
	1684071	Ref	Axle Lockout Cylinder Assembly (SN 0300062044 through 0300064015)	B
	1684129	Ref	Axle Lockout Cylinder Assembly (SN 0300064016 through 0300077548)	C
	1684419	Ref	2WD Machines without Tow Package (SN 0300077549 through 0300219271)	E
		Ref	2WD Machines with Tow Package	
	1683931	Ref	2WD Machines with Tow Package (Prior to SN 0300062044)	C
	1683575	Ref	2WD Machines with Tow Package (Original Equipment) (SN 0300062044 through 0300219271)	D
	1684139	Ref	Axle Lockout Cylinder Assembly (Service Replacement)	D
		Ref	4WD Machines	
	1683931	Ref	4WD Machines (Prior to SN 0300062044)	C
	1684071	Ref	4WD Machines (SN 0300062044 through 0300064015)	B
	1684129	Ref	4WD Machines (SN 0300064016 through 0300077548)	C
	1684419	Ref	4WD Machines (SN 0300077549 through 0300219271)	E
1	1683572	1	Barrel Weldment	
3	See Note	NSS	Ring, Wear (Note: Use Item 100)	
4	See Note	NSS	T-Seal (Note: Use Item 100)	
5	See Note	NSS	Ring, Wear (Note: Use Item 100)	
6	See Note	NSS	O-Ring (Note: Use Item 100)	
7	See Note	NSS	Ring, Back-up (Note: Use Item 100)	
8	See Note	NSS	Wiper (Note: Use Item 100)	
9	See Note	NSS	Seal (Note: Use Item 100)	
10		Ref	Rod Weldment Options:	
10		Ref	2WD Machines without Tow Package	
10	1683574	1	2WD Machines without Tow Package Only (Prior to SN 0300062044)	
10	1684138	1	2WD Machines without Tow Package Only (Service Replacement Cylinder 1684139)	
10	1684072	1	2WD Machines without Tow Package Only (SN 0300062044 through 0300064015)	
10	1684130	1	2WD Machines without Tow Package Only (SN 0300064016 through 0300219271)	
10	1683574	1	All 2WD Machines with Tow Package	
10	1684138	1	All 2WD Machines with Tow Package (Service Replacement Cylinder 1684139)	
10		Ref	4WD Machines	
10	1683574	1	4WD Machines Only (Prior to SN 0300062044)	
10	1684072	1	4WD Machines Only (SN 0300062044 through 0300064015)	
10	1684130	1	4WD Machines Only (SN 0300064016 through 0300219271)	
11	1683076	1	Cap	
12	3760367	1	Ring, Washer	

SECTION 5 - CYLINDER

ITEM	PART NUMBER	QTY	DESCRIPTION	REV
13	3931516	8	Bolt, Socket Head 5/16in-18NC x 2in	
14		Ref	Cartridge, Valve (Counterbalance) Options:	
14	4641162	2	Cartridge, Valve (Counterbalance) (Prior to SN 0300077549)	
14	4641162	1	Cartridge, Valve (Counterbalance) (Service Replacement Cylinder 1684139)	
14	4640936	2	Cartridge, Valve (Counterbalance) (SN 0300077549 through 0300219271)	
14	2900770	2	Seal Kit - 4641162 Valve (1 Per Assembly)	
15	4640858	2	Valve, Bleeder	
16		Ref	Bushing Options:	
16	0961890	2	Bushing (Prior to SN 0300069092)	
16	0962474	2	Bushing (SN 0300069092 through 0300219271)	
17	2220885	1	Plug, O-Ring	
18	0100011	AR	Locking, Compound	
19	0100038	AR	Primer, Locking	
20		Ref	Bushing Options:	
20	Not Required	0	Bushing (Prior to SN 0300064016)	
20	0962140	1	Bushing (Service Replacement Cylinder 1684139)	
20	0962395	1	Bushing (SN 0300064016 through 0300069091)	
20	0962466	1	Bushing (SN 0300069092 through 0300219271)	
100	2901548	1	Seal Kit (Includes Items 3-9)	

SECTION 5 - CYLINDER

FIGURE 5-2. LEVEL CYLINDER ASSEMBLY - PLATFORM SLAVE (Prior to SN 0300163480)



SECTION 5 - CYLINDER

FIGURE 5-2. LEVEL CYLINDER ASSEMBLY - PLATFORM SLAVE (Prior to SN 0300163480)

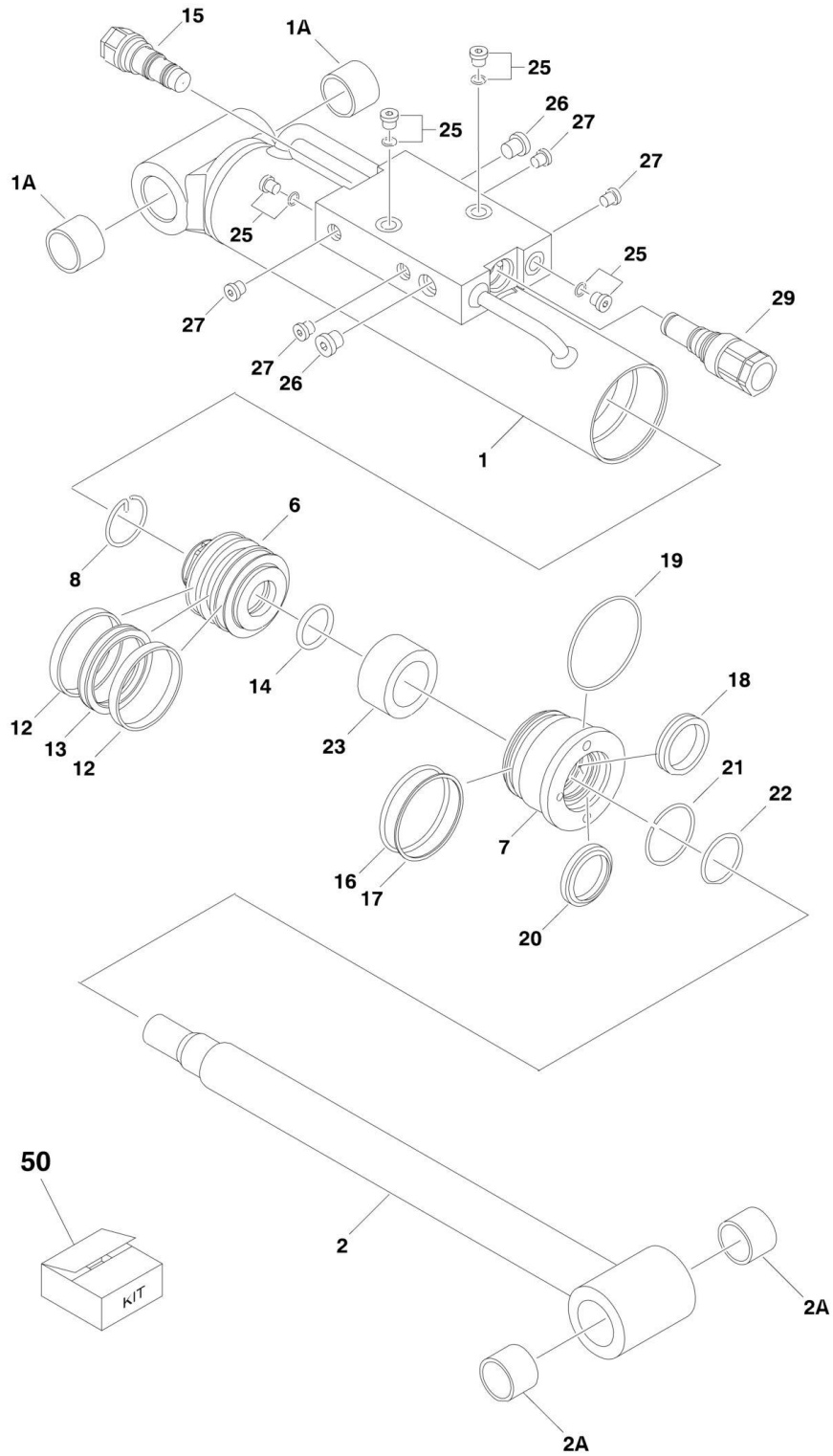
ITEM	PART NUMBER	QTY	DESCRIPTION	REV
		Ref	LEVEL CYLINDER ASSEMBLY - PLATFORM SLAVE (Prior to SN 0300163480)	
	1683867	Ref	Platform Level Cylinder Assembly E600 & M600	D
	1683926	Ref	Platform Level Cylinder Assembly E600J, M600J, E600JP & M600JP	F
		Ref	Note: Original Equipment components may have been replaced with Service Replacement components part. Identify p/n stamped on cylinder before ordering parts.	
1	0100011	AR	Locking, Compound	
2	0100038	AR	Primer, Locking	
4	0630534	3	Bolt #10-24NC x 1in	
5		Ref	Bushing, Tapered Options:	
5	0962185	1	Bushing, Tapered E600 & M600	
5	0961893	1	Bushing, Tapered E600J, M600J, E600JP & M600JP	
6		Ref	Bushing Options:	
6	0961947	4	Bushing E600 & M600	
6	0961951	4	Bushing E600J, M600J, E600JP & M600JP	
7		Ref	Head Options:	
7	1683050	1	Head E600 & M600	
7	1683053	1	Head E600J, M600J, E600JP & M600JP	
8		Ref	Barrel Options:	
8	1683868	1	Barrel E600 & M600	
8	1683927	1	Barrel E600J, M600J, E600JP & M600JP	
9		Ref	Rod Options:	
9	1683870	1	Rod E600 & M600	
9	1683929	1	Rod E600J, M600J, E600JP & M600JP	
10	2220883	8	Plug, O-Ring	
11	2220885	1	Plug, O-Ring	
13		Ref	Piston Options:	
13	3480232	1	Piston E600 & M600	
13	3480260	1	Piston E600J, M600J, E600JP & M600JP	
14	See Note	NSS	Ring, Wear (Note: Use Item 100)	
15		Ref	Washer, Ring	
15	3760367	1	Washer, Ring E600 & M600	
15	3760368	1	Washer, Ring E600J, M600J, E600JP & M600JP	
16	See Note	NSS	Ring, Back-up (Note: Use Item 100)	
17	See Note	NSS	Ring, Wear (Note: Use Item 100)	
18	See Note	NSS	Ring, Back-up (Note: Use Item 100)	
19	See Note	NSS	O-Ring (Note: Use Item 100)	
20	See Note	NSS	O-Ring (Note: Use Item 100)	
21		Ref	Setscrew 1/4in-20NC x 1/2in Options:	
21	3900139	1	Setscrew 1/4in-20NC x 1/2in E600 & M600	
21	Not Required	0	Setscrew 1/4in-20NC x 1/2in E600J, M600J, E600JP & M600JP	
22	3931516	8	Bolt, Socket Head 5/16in-18NC x 2in	
23	See Note	NSS	Wiper (Note: Use Item 100)	
24	See Note	NSS	Seal (Note: Use Item 100)	
25	See Note	NSS	T-Seal (Note: Use Item 100)	
26		Ref	Spacer, Tube Options:	
26	4568068	1	Spacer, Tube E600 & M600	
26	4566468	1	Spacer, Tube E600J, M600J, E600JP & M600JP	

SECTION 5 - CYLINDER

ITEM	PART NUMBER	QTY	DESCRIPTION	REV
27	4640509	1	Cartridge, Valve (Counterbalance Non-Vented)	
27	2900792	1	Seal Kit - 4640509 Valve	
28	4640932	1	Cartridge, Valve (Counterbalance Vented)	
28	7011112	1	Seal Kit - 4640932 Valve	
100		Ref	Seal Kit Options (Includes Items 14, 16-20 & 23-25)	
100	2901549	1	Seal Kit E600 & M600	
100	2901901	1	Spacer, Tube E600J, M600J, E600JP & M600JP	

SECTION 5 - CYLINDER

FIGURE 5-3. LEVEL CYLINDER ASSEMBLY - PLATFORM SLAVE (SN 0300163480 through 0300219271)



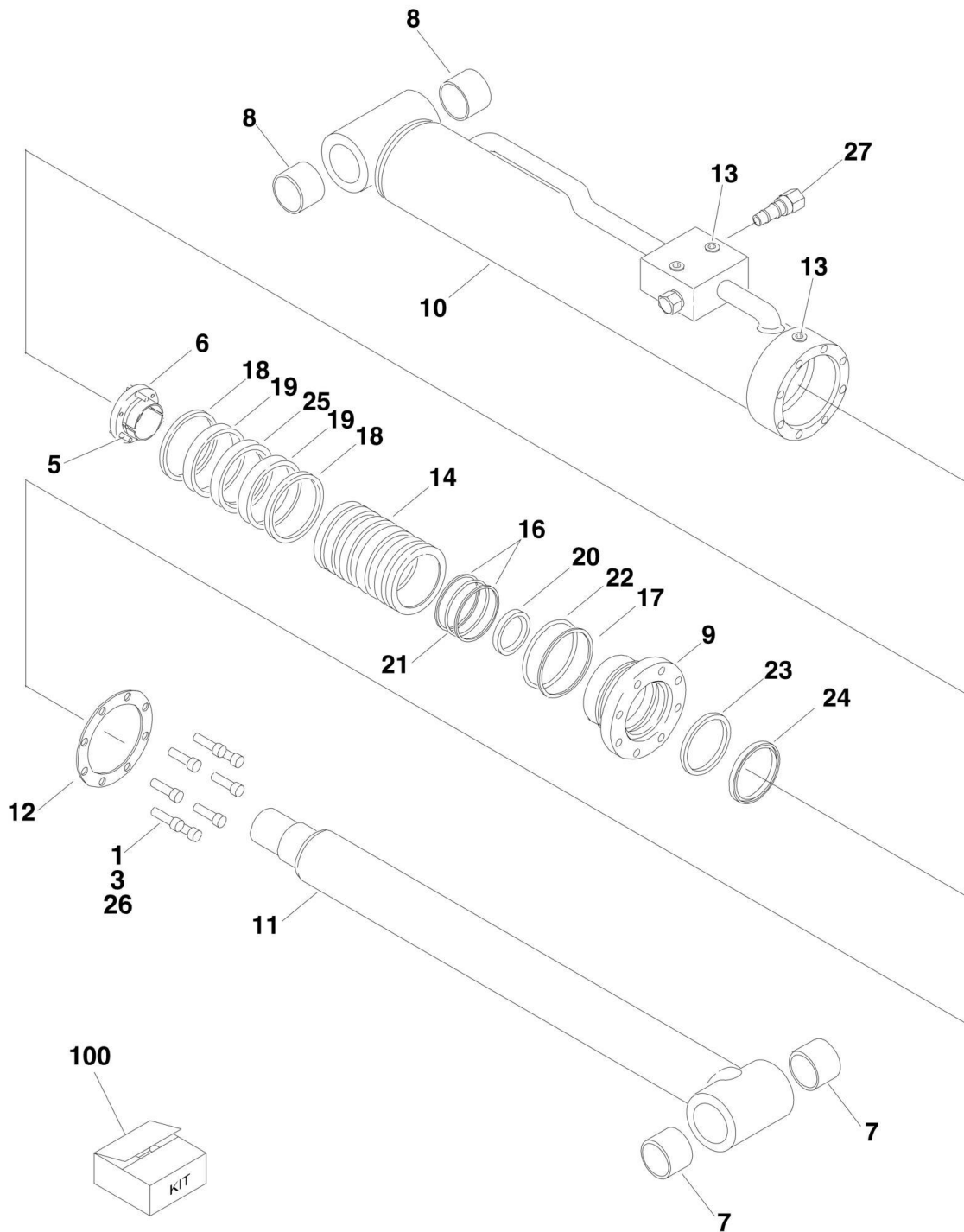
SECTION 5 - CYLINDER

FIGURE 5-3. LEVEL CYLINDER ASSEMBLY - PLATFORM SLAVE (SN 0300163480 through 0300219271)

ITEM	PART NUMBER	QTY	DESCRIPTION	REV
	1001140596	Ref	LEVEL CYLINDER ASSEMBLY - PLATFORM SLAVE (SN 0300163480 through 0300219271) Note: Original Equipment components may have been replaced with Service Replacement components part. Identify p/n stamped on cylinder before ordering parts.	A
		Ref		
1	70003840	1	Barrel	
1A	0961951	2	Bushing	
2	70003841	1	Rod	
2A	0961951	2	Bushing	
6	70003819	1	Head	
7	70003837	1	Piston	
8	70002216	1	Retainer	
12	See Note	NSS	Ring, Wear (Note: Use Item 50)	
13	See Note	NSS	Seal (Note: Use Item 50)	
14	See Note	NSS	O-Ring (Note: Use Item 50)	
15	4640509	1	Cartridge, Counterbalance Valve	
15	2900792	1	Seal Kit - 4640509 Valve	
16	See Note	NSS	O-Ring (Note: Use Item 50)	
17	See Note	NSS	Ring, Back-up (Note: Use Item 50)	
18	See Note	NSS	Seal (Note: Use Item 50)	
19	See Note	NSS	O-Ring (Note: Use Item 50)	
20	See Note	NSS	Wiper (Note: Use Item 50)	
21	70003838	1	Ring, Retaining	
22	7026084	1	O-Ring	
23	70003839	1	Spacer	
25	7017406	4	Plug	
26	See Note	2	Plug (Note: Not Available for Purchase)	
27	See Note	4	Plug (Note: Not Available for Purchase)	
29	4640932	1	Cartridge, Counterbalance Valve	
29	7011112	1	Seal Kit - 4640932 Valve	
50	70003842	1	Seal Kit - 1001140596 Cylinder (Includes Items 12-14 & 16-20)	

SECTION 5 - CYLINDER

FIGURE 5-4. LIFT CYLINDER ASSEMBLY - JIB (E600J, M600J, E600JP & M600JP ONLY) (Prior to SN 0300163480)



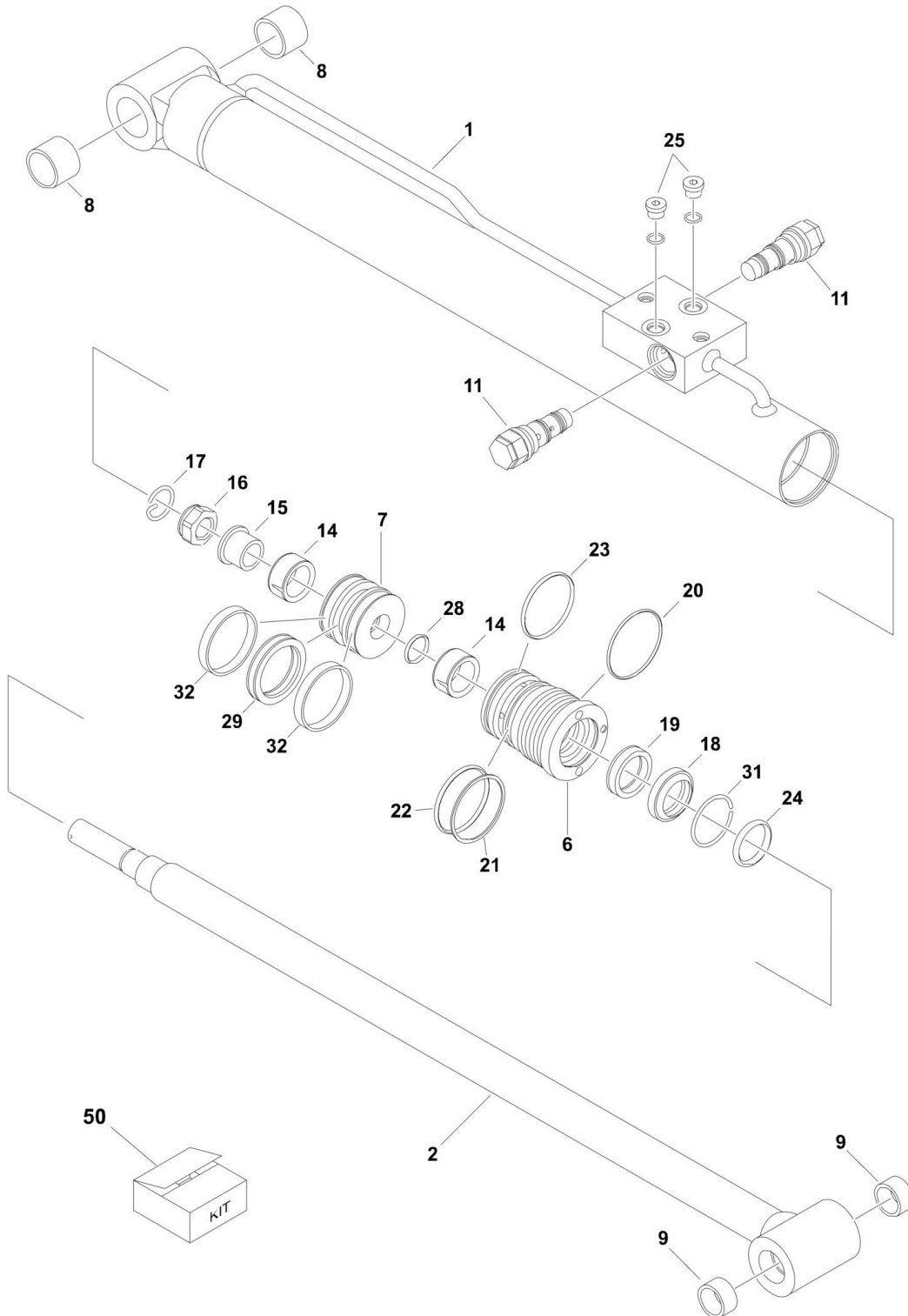
SECTION 5 - CYLINDER

FIGURE 5-4. LIFT CYLINDER ASSEMBLY - JIB (E600J, M600J, E600JP & M600JP ONLY) (Prior to SN 0300163480)

ITEM	PART NUMBER	QTY	DESCRIPTION	REV
	1683959	Ref	JIB LIFT CYLINDER ASSEMBLY (E600J, M600J, E600JP & M600JP ONLY) Note: Original Equipment components may have been replaced with Service Replacement components part. Identify p/n stamped on cylinder before ordering parts.	E
		Ref		
1	0100011	AR	Locking, Compound	
3	0100038	AR	Primer, Locking	
5	0630534	3	Bolt #10-24NC x 1in	
6	0961893	1	Bushing, Tapered	
7	0961947	2	Bushing	
8	0961951	2	Bushing	
9	1683051	1	Head	
10	1683960	1	Barrel Weldment	
11	1683961	1	Rod Weldment	
12	3760367	1	Washer, Ring	
13	2220885	3	Plug, O-Ring	
14	3480249	1	Piston	
16	See Note	NSS	Ring, Back-up (Note: Use Item 100)	
17	See Note	NSS	Ring, Back-up (Note: Use Item 100)	
18	See Note	NSS	Seal (Note: Use Item 100)	
19	See Note	NSS	Ring, Wear (Note: Use Item 100)	
20	See Note	NSS	Ring, Wear (Note: Use Item 100)	
21	See Note	NSS	O-Ring (Note: Use Item 100)	
22	See Note	NSS	O-Ring (Note: Use Item 100)	
23	See Note	NSS	Seal (Note: Use Item 100)	
24	See Note	NSS	Wiper (Note: Use Item 100)	
25	See Note	NSS	T-Seal (Note: Use Item 100)	
26	3931516	8	Bolt, Socket Head 5/16in-18NC x 1in	
27	4640509	2	Cartridge, Valve (Counterbalance Non-Vented)	
27	2900792	2	Seal Kit - 4640509 Valve	
100	2901810	1	Seal Kit (Includes Items 16-25)	

SECTION 5 - CYLINDER

FIGURE 5-5. LIFT CYLINDER ASSEMBLY - JIB (E600J, M600J, E600JP & M600JP ONLY) (SN 0300163480 through 0300219271)



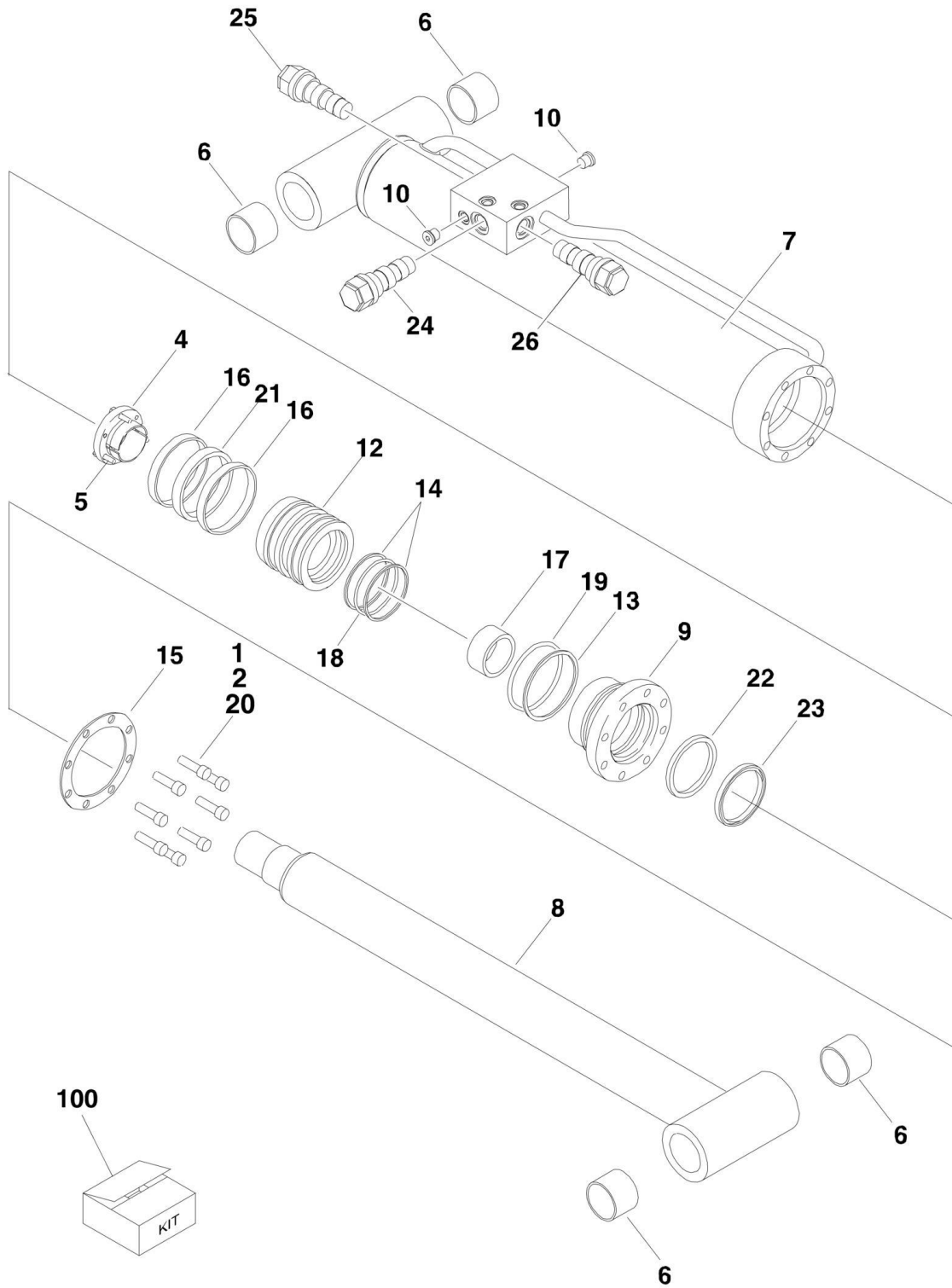
SECTION 5 - CYLINDER

FIGURE 5-5. LIFT CYLINDER ASSEMBLY - JIB (E600J, M600J, E600JP & M600JP ONLY) (SN 0300163480 through 0300219271)

ITEM	PART NUMBER	QTY	DESCRIPTION	REV
	1001140282	Ref	JIB LIFT CYLINDER ASSEMBLY (E600J, M600J, E600JP & M600JP ONLY) Note: Original Equipment components may have been replaced with Service Replacement components part. Identify p/n stamped on cylinder before ordering parts.	A
		Ref		
1	70003834	1	Barrel	
2	70003835	1	Rod	
6	7026088	1	Head	
7	70003833	1	Piston	
8	0961951	2	Bushing	
9	0961947	2	Bushing	
11	4640509	2	Cartridge, Counterbalance Valve	
11	2900792	2	Seal Kit - 4640509 Valve	
14	7026090	2	Bushing	
15	7026091	1	Sleeve	
16	7026092	1	Nut	
17	70002223	1	Retainer	
18	See Note	NSS	Wiper (Note: Use Item 50)	
19	See Note	NSS	Seal (Note: Use Item 50)	
20	See Note	NSS	O-Ring (Note: Use Item 50)	
21	See Note	NSS	Ring, Back-up (Note: Use Item 50)	
22	See Note	NSS	O-Ring (Note: Use Item 50)	
23	See Note	NSS	O-Ring (Note: Use Item 50)	
24	7026068	1	O-Ring	
25	7024844	2	Plug	
28	See Note	NSS	O-Ring (Note: Use Item 50)	
29	See Note	NSS	Seal (Note: Use Item 50)	
31	70002220	1	Ring, Retaining	
32	See Note	NSS	Ring, Wear (Note: Use Item 50)	
50	70003836	1	Seal Kit - 1001140282 Cylinder (Includes Items 18-23, 28, 29 & 32)	

SECTION 5 - CYLINDER

FIGURE 5-6. LIFT CYLINDER ASSEMBLY - MAIN (ORIGINAL EQUIPMENT)



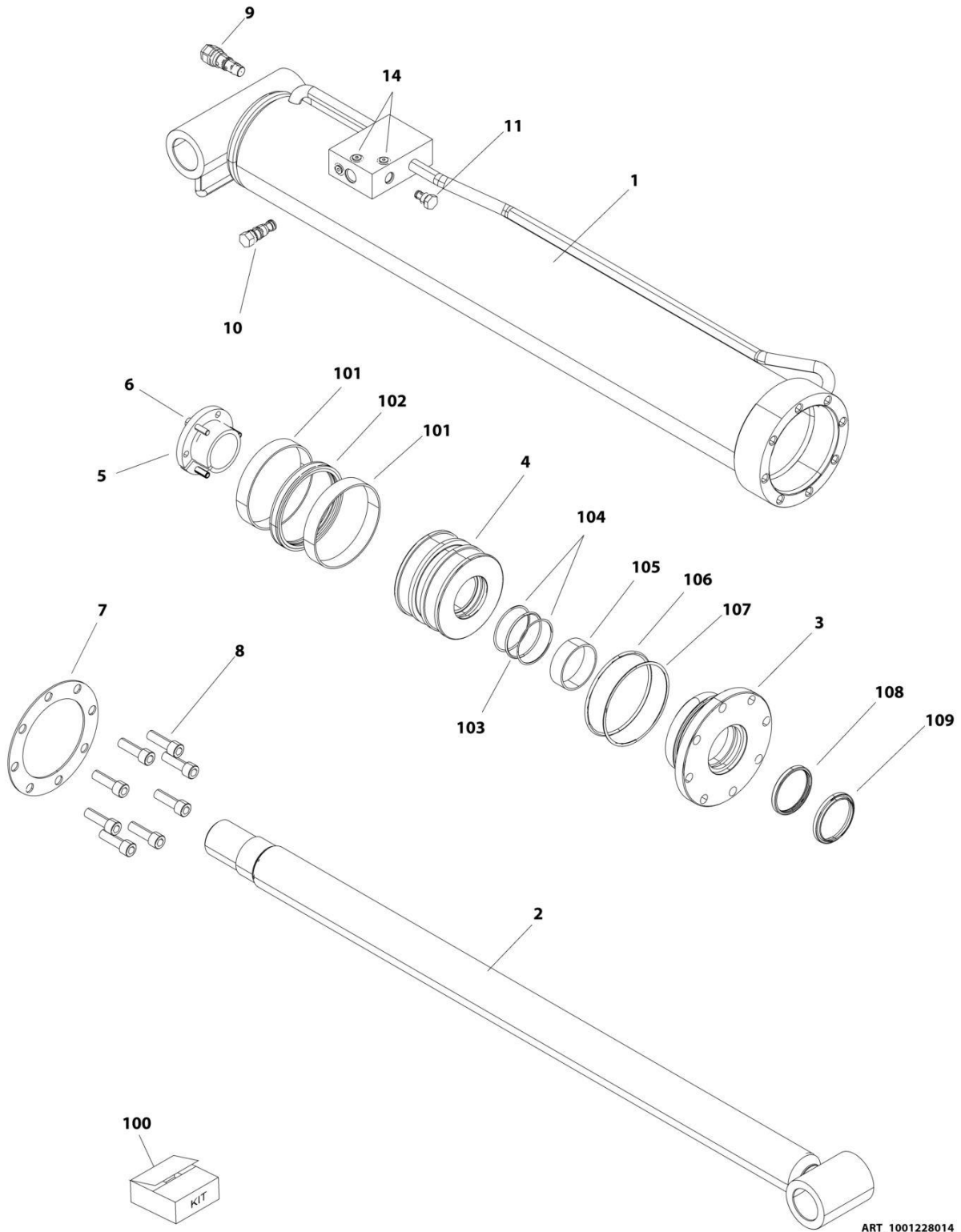
SECTION 5 - CYLINDER

FIGURE 5-6. LIFT CYLINDER ASSEMBLY - MAIN (ORIGINAL EQUIPMENT)

ITEM	PART NUMBER	QTY	DESCRIPTION	REV
	1683876	Ref	LIFT CYLINDER ASSEMBLY (ORIGINAL EQUIPMENT)	G
1	0100011	AR	Locking, Compound	
2	0100038	AR	Primer, Locking	
4	0630536	3	Bolt, Socket Head #10-24NC x 1-1/4in	
5	0961898	1	Bushing, Tapered	
6		Ref	Bushing Options:	
6	0962224	4	Bushing (Prior to SN 0300065314)	
6	0961950	4	Bushing (SN 0300065314 through 0300219271)	
7	1683877	1	Barrel Weldment	
8	1683879	1	Rod Weldment	
9	1683910	1	Head	
10	2220883	2	Plug, O-Ring #4	
12	3480258	1	Piston	
13	See Note	NSS	Ring, Back-up (Note: Use Item 100)	
14	See Note	NSS	Ring, Back-up (Note: Use Item 100)	
15	3760372	1	Ring, Washer	
16	See Note	NSS	Ring, Wear (Note: Use Item 100)	
17	See Note	NSS	Ring, Wear (Note: Use Item 100)	
18	See Note	NSS	O-Ring (Note: Use Item 100)	
19	See Note	NSS	O-Ring (Note: Use Item 100)	
20	3932032	8	Capscrew 5/8in-11NC x 2in	
21	See Note	NSS	Seal (Note: Use Item 100)	
22	See Note	NSS	Seal, Rod (Note: Use Item 100)	
23	See Note	NSS	Wiper (Note: Use Item 100)	
24	4640438	1	Valve, Check	
24	2900770	1	Seal Kit - 4640438	
25	4640509	1	Valve, Counterbalance	
25	2900792	1	Seal Kit - 4640509	
26	4641129	1	Valve, Check	
26	7012967	1	Seal Kit - 4641129 Valve	
100	2901886	1	Seal Kit (Includes Items 13-14, 16-19 & 21-23)	

SECTION 5 - CYLINDER

FIGURE 5-7. LIFT CYLINDER ASSEMBLY - MAIN (SERVICE REPLACEMENT)



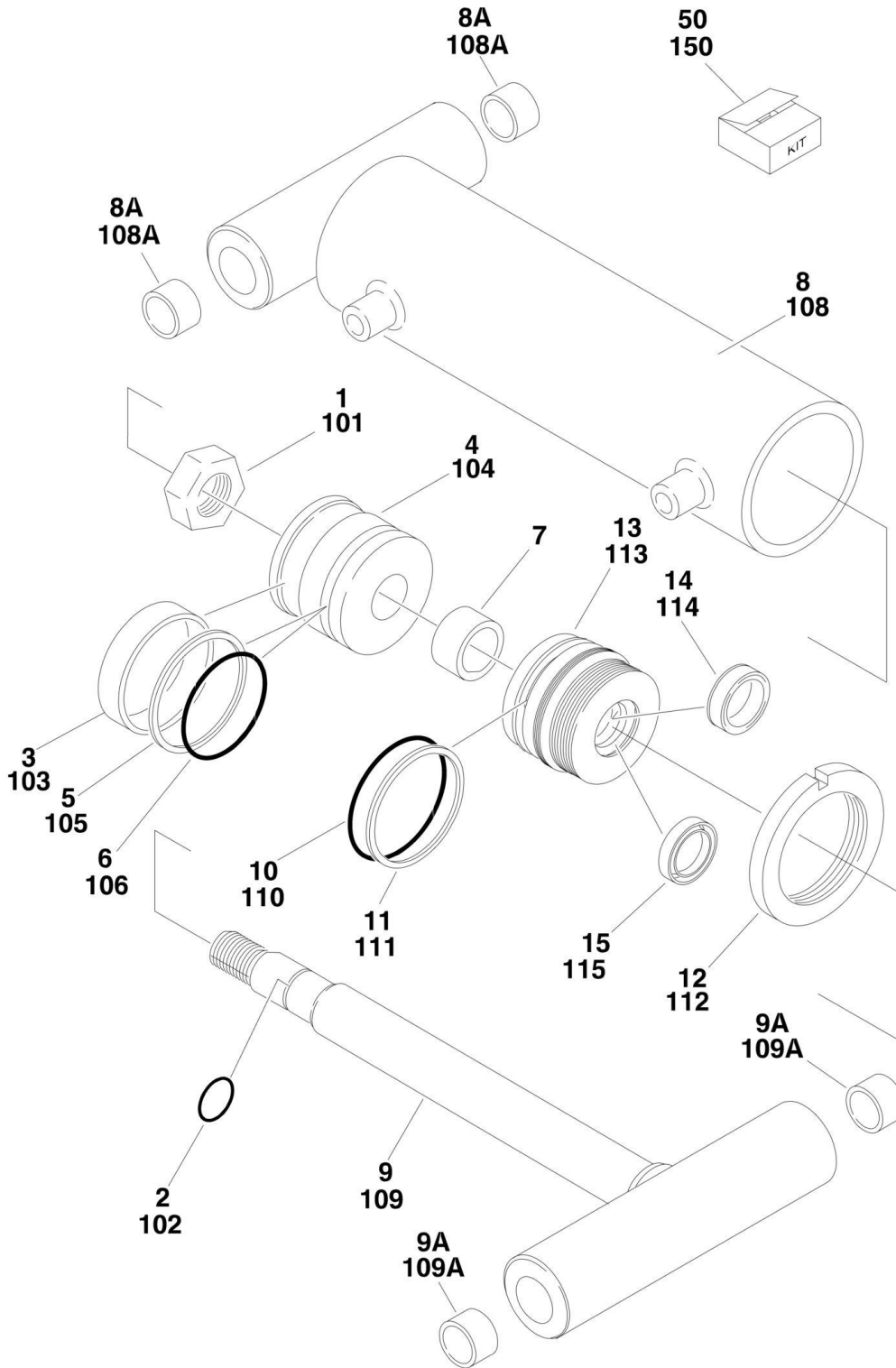
SECTION 5 - CYLINDER

FIGURE 5-7. LIFT CYLINDER ASSEMBLY - MAIN (SERVICE REPLACEMENT)

ITEM	PART NUMBER	QTY	DESCRIPTION	REV
	1001228014	Ref	LIFT CYLINDER ASSEMBLY - MAIN (SERVICE REPLACEMENT)	A
1	See Note	NSS	Barrel Weldment (Note: Not Available for Purchase)	
2	70006368	1	Rod Weldment	
3	70006367	1	Head	
4	70006366	1	Piston	
5	70006365	1	Bushing, Tapered	
6	0630536	1	Screw	
7	70006364	1	Washer	
8	3932032	8	Capscrew	
9	4640509	1	Valve, Counterbalance	
10	4640438	1	Cartridge, Check Valve	
11	4641129	1	Cartridge, Check Valve	
12	See Note	NSS	Plug (Not Shown)	
13	See Note	NSS	Plug	
14	2220883	4	Plug	
100	2901886	1	Seal Kit (Includes Items 101-109)	
101	See Note	NSS	Ring, Wear (Note: Use Item 100)	
102	See Note	NSS	Seal, Piston (Note: Use Item 100)	
103	See Note	NSS	O-Ring (Note: Use Item 100)	
104	See Note	NSS	Ring, Back-up (Note: Use Item 100)	
105	See Note	NSS	Ring, Wear(Note: Use Item 100)	
106	See Note	NSS	O-Ring (Note: Use Item 100)	
107	See Note	NSS	Ring, Back-up (Note: Use Item 100)	
108	See Note	NSS	Seal, Rod (Note: Use Item 100)	
109	See Note	NSS	Wiper, Rod (Note: Use Item 100)	

SECTION 5 - CYLINDER

FIGURE 5-8. MASTER CYLINDER ASSEMBLY



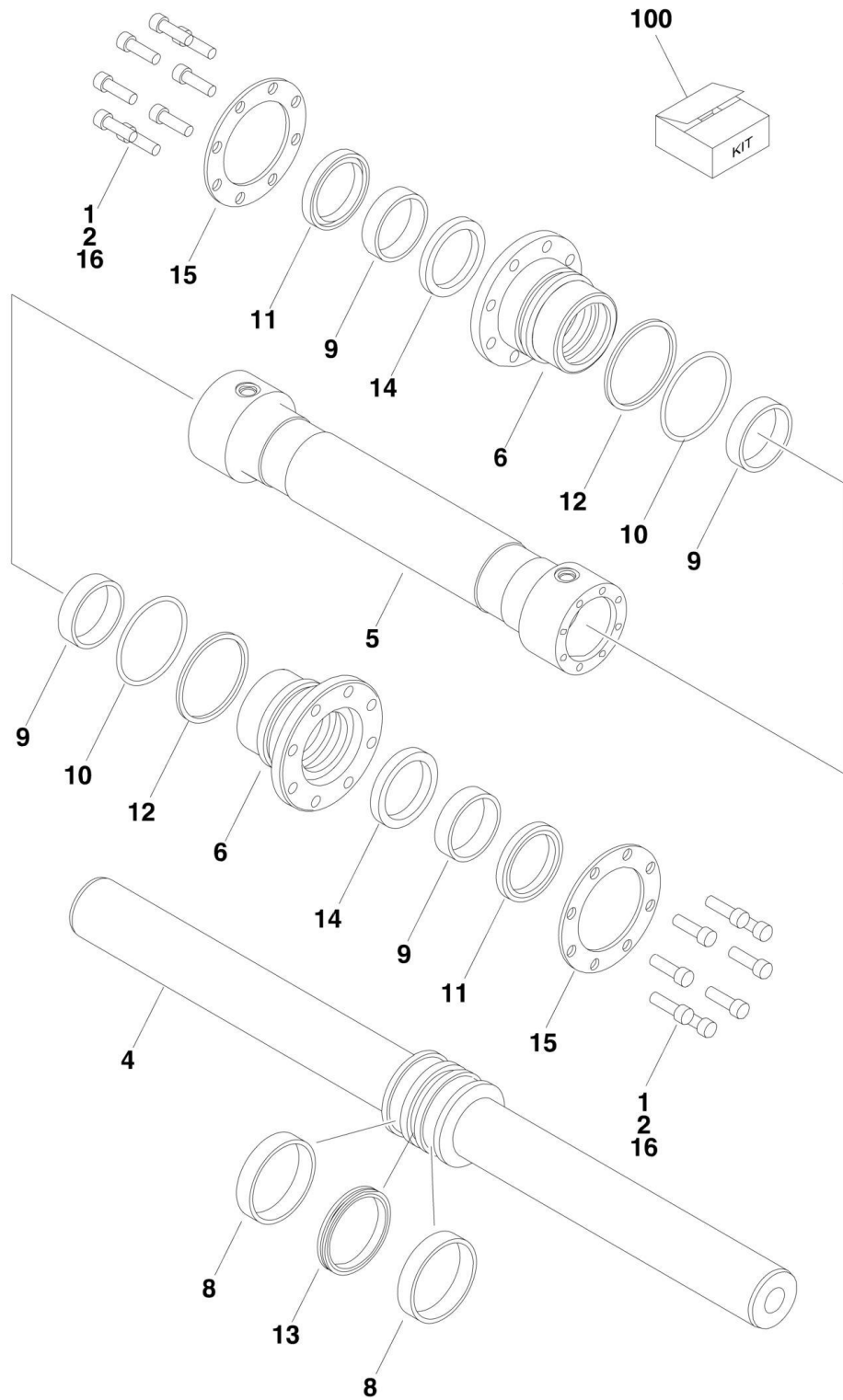
SECTION 5 - CYLINDER

FIGURE 5-8. MASTER CYLINDER ASSEMBLY

ITEM	PART NUMBER	QTY	DESCRIPTION	REV
		Ref	MASTER CYLINDER ASSEMBLY	
	1683865	Ref	Master Cylinder Assembly M600	C
1	7001084	1	Locknut	
2	See Note	NSS	O-Ring (Note: Use Item 50)	
3	See Note	NSS	Ring, Wear (Note: Use Item 50)	
4	7017285	1	Piston	
5	See Note	NSS	Seal, Piston (Note: Use Item 50)	
6	See Note	NSS	O-Ring (Note: Use Item 50)	
7	7017286	1	Spacer	
8	7017287	1	Barrel Assembly	
8A	0961951	2	Bushing	
9	7017288	1	Rod Assembly	
9A	0961951	2	Bushing	
10	See Note	NSS	O-Ring (Note: Use Item 50)	
11	See Note	NSS	Ring, Back-up (Note: Use Item 50)	
12	7017283	1	Setscrew 1/4in-20NC x 3/8in	
13	7017289	1	Guide	
14	See Note	NSS	Seal (Note: Use Item 50)	
15	See Note	NSS	Wiper (Note: Use Item 50)	
50	7017284	1	Seal Kit (Includes Items 2, 3, 5, 6, 10, 11, 14 & 15)	
	1683866	Ref	Master Cylinder Assembly M600J & M600JP	D
101	7017278	1	Locknut	
102	See Note	NSS	O-Ring (Note: Use Item 150)	
103	See Note	NSS	Ring, Wear (Note: Use Item 150)	
104	7017279	1	Piston	
105	See Note	NSS	Seal, Piston (Note: Use Item 150)	
106	See Note	NSS	O-Ring (Note: Use Item 150)	
108	7017280	1	Barrel Assembly	
108A	0961951	2	Bushing	
109	7017281	1	Rod Assembly	
109A	0961951	2	Bushing	
110	See Note	NSS	O-Ring (Note: Use Item 150)	
111	See Note	NSS	Ring, Back-up (Note: Use Item 150)	
112	7017283	1	Setscrew 1/4in-20NC x 3/8in	
113	7017282	1	Guide	
114	See Note	NSS	Seal (Note: Use Item 150)	
115	See Note	NSS	Wiper (Note: Use Item 150)	
150	7017277	1	Seal Kit (Includes Items 102, 103, 105, 106, 110, 111, 114 & 115)	

SECTION 5 - CYLINDER

FIGURE 5-9. STEER CYLINDER ASSEMBLY (Prior to SN 0300165153)



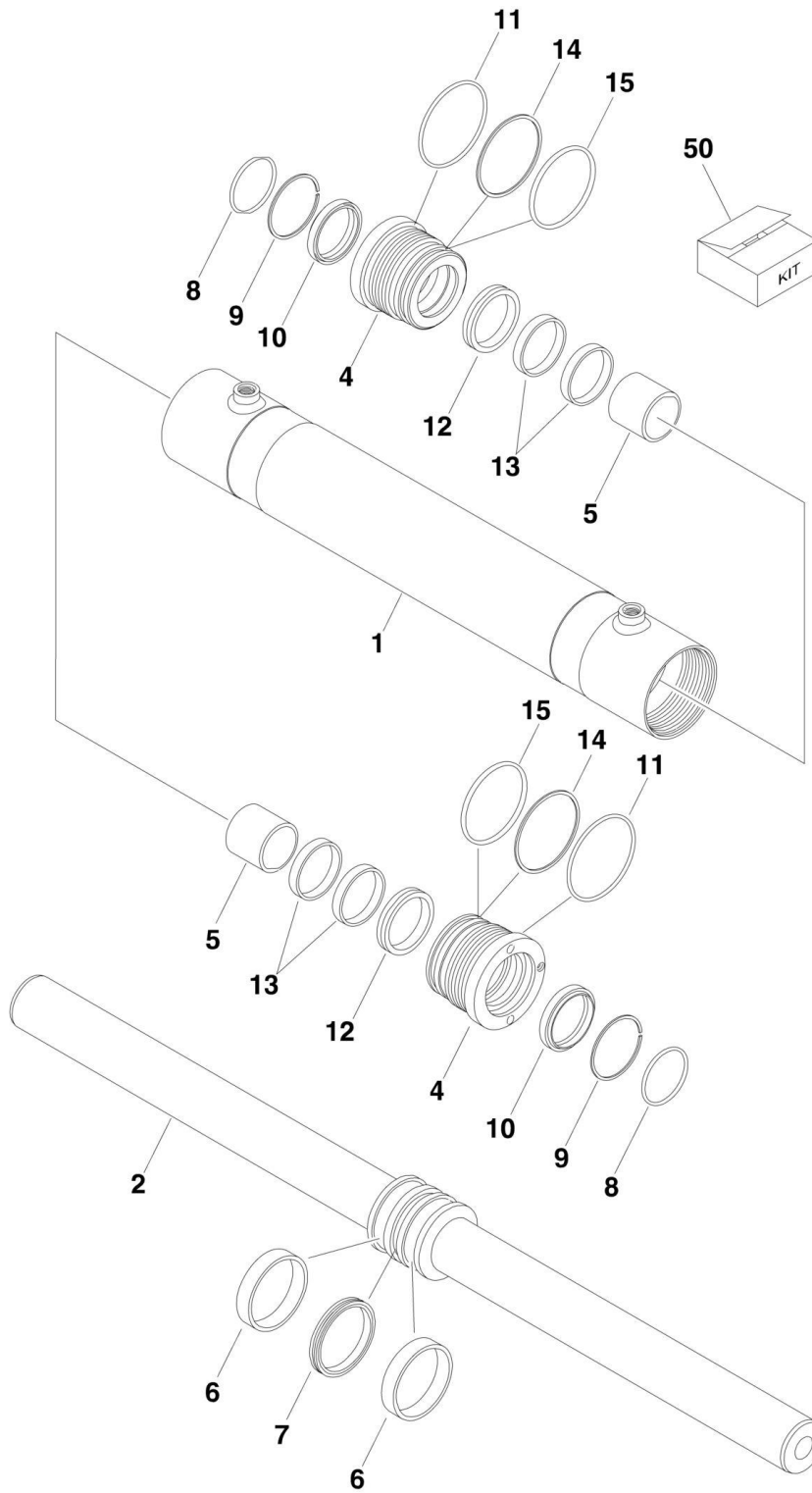
SECTION 5 - CYLINDER

FIGURE 5-9. STEER CYLINDER ASSEMBLY (Prior to SN 0300165153)

ITEM	PART NUMBER	QTY	DESCRIPTION	REV
	1683851	Ref	STEER CYLINDER ASSEMBLY	D
		Ref		
1	0100011	AR	Locking, Compound	
2	0100038	AR	Primer, Locking	
4	1683848	1	Rod Weldment	
5	1683850	1	Barrel Weldment	
6	1683898	2	Head	
8	See Note	NSS	Ring, Wear (Note: Use Item 100)	
9	See Note	NSS	Ring, Wear (Note: Use Item 100)	
10	See Note	NSS	O-Ring (Note: Use Item 100)	
11	See Note	NSS	Wiper (Note: Use Item 100)	
12	See Note	NSS	Ring, Back-up (Note: Use Item 100)	
13	See Note	NSS	T-Seal (Note: Use Item 100)	
14	See Note	NSS	Seal (Note: Use Item 100)	
15	3760368	2	Washer, Ring	
16	3931516	16	Bolt, Socket Head 5/16in-18NC x 2in	
100	2901875	1	Seal Kit (Includes Items 8-14)	

SECTION 5 - CYLINDER

FIGURE 5-10. STEER CYLINDER ASSEMBLY (SN 0300165153 through 0300219271)



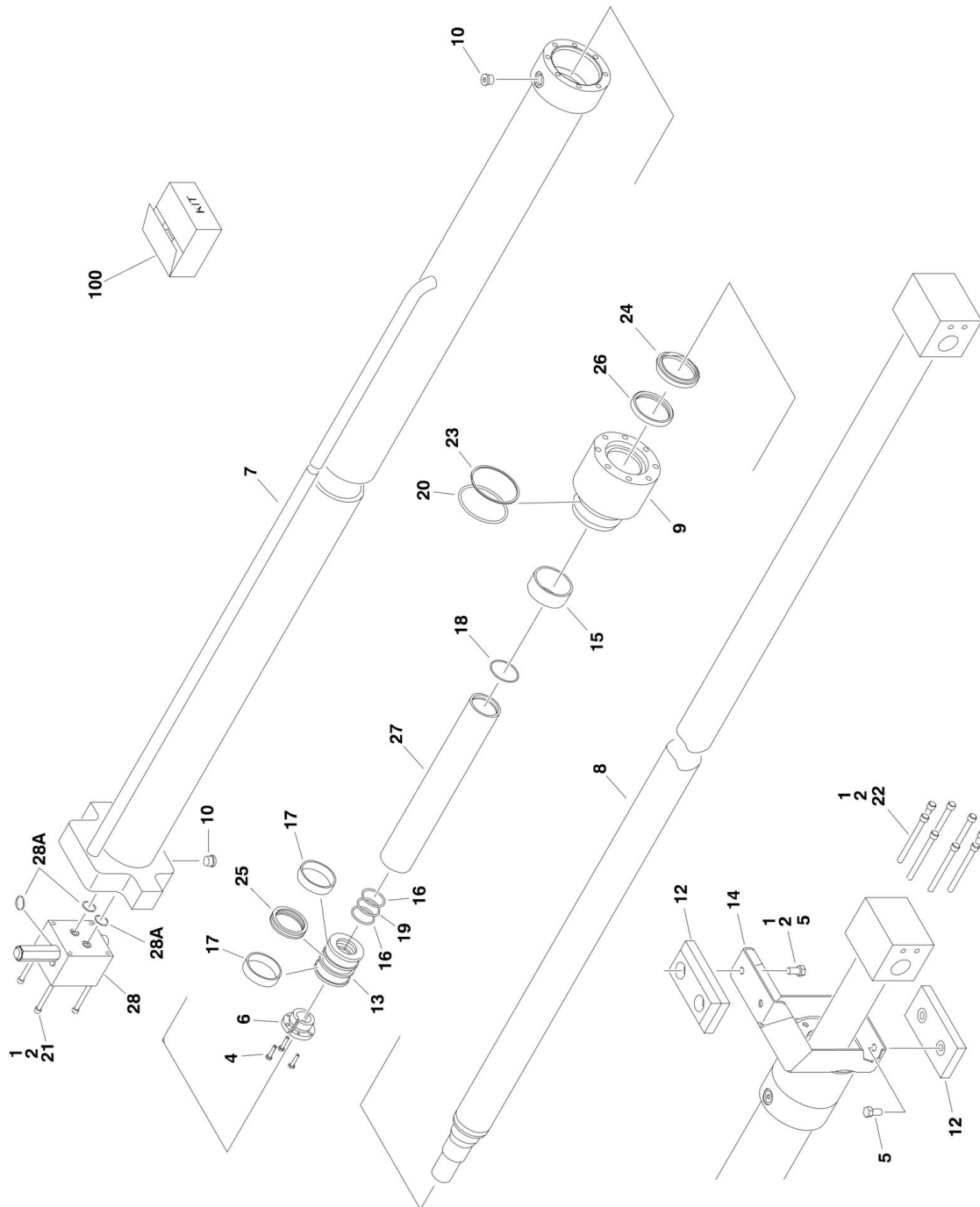
SECTION 5 - CYLINDER

FIGURE 5-10. STEER CYLINDER ASSEMBLY (SN 0300165153 through 0300219271)

ITEM	PART NUMBER	QTY	DESCRIPTION	REV
	1001140281	Ref	STEER CYLINDER ASSEMBLY	A
		Ref		
1	70004134	1	Barrel	
2	70004135	1	Rod	
4	70004132	2	Head	
5	70004133	2	Spacer	
6	See Note	NSS	Ring, Wear (Note: Use Item 50)	
7	See Note	NSS	T-Seal (Note: Use Item 50)	
8	70003820	2	O-Ring	
9	70002219	2	Retainer	
10	See Note	NSS	Wiper (Note: Use Item 50)	
11	See Note	NSS	O-Ring (Note: Use Item 50)	
12	See Note	NSS	Seal (Note: Use Item 50)	
13	See Note	NSS	Ring, Wear (Note: Use Item 50)	
14	See Note	NSS	Ring, Back-up (Note: Use Item 50)	
15	See Note	NSS	O-Ring (Note: Use Item 50)	
50	70004127	1	Seal Kit - 1001140281 Cylinder (Includes Items 6-7 & 10-15)	

SECTION 5 - CYLINDER

FIGURE 5-11. TELESCOPE CYLINDER ASSEMBLY



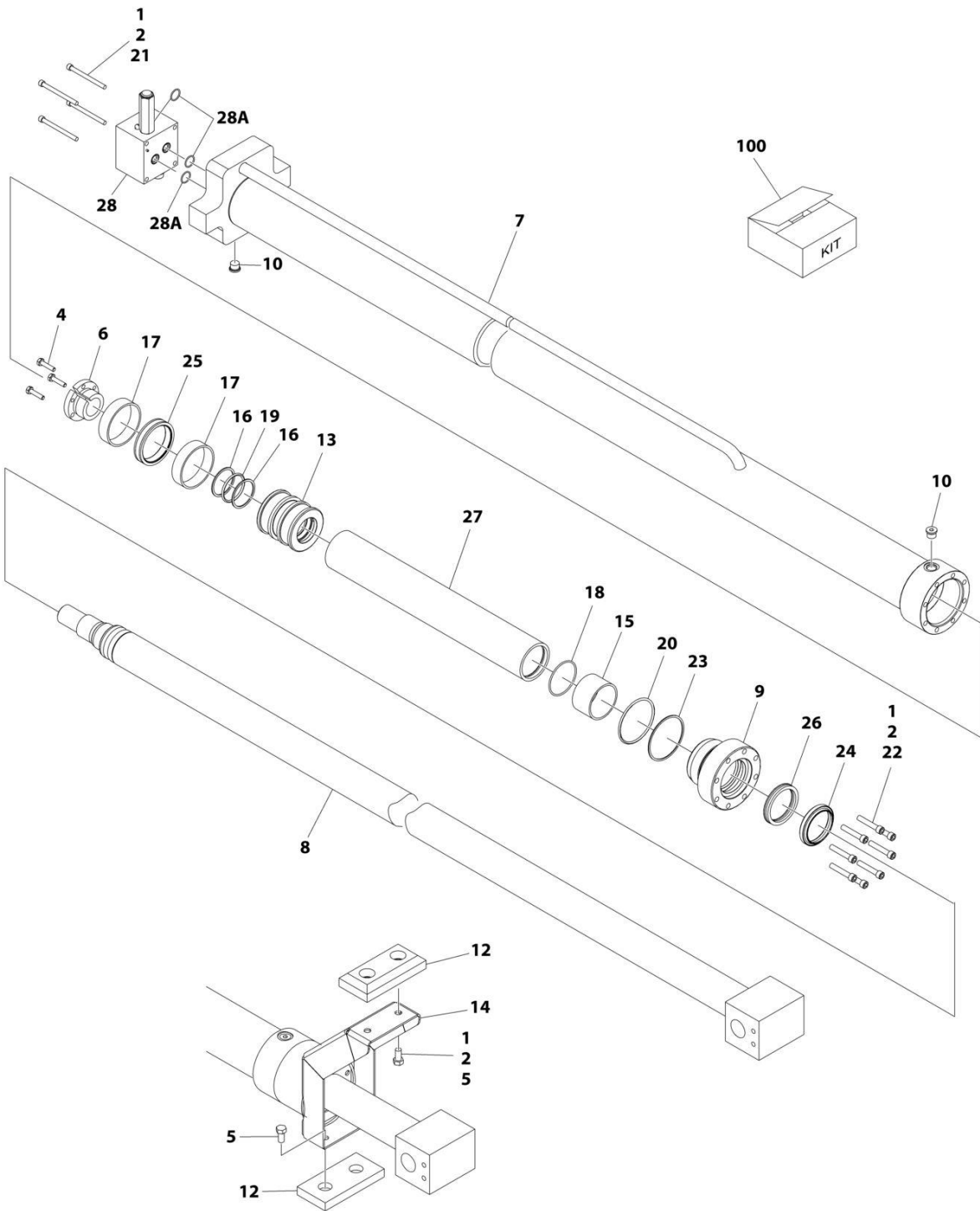
SECTION 5 - CYLINDER

FIGURE 5-11. TELESCOPE CYLINDER ASSEMBLY

ITEM	PART NUMBER	QTY	DESCRIPTION	REV
		Ref	TELESCOPE CYLINDER ASSEMBLY	
	1684009	Ref	Telescope Cylinder Assembly E600/M600	D
	1684010	Ref	Telescope Cylinder Assembly E600J/M600J/E600JP/M600JP (Original Equipment)	D
1	0100011	AR	Locking, Compound	
2	0100038	AR	Primer, Locking	
4	0630535	3	Bolt 1/4in-20NC x 1-1/8in	
5	0641606	4	Bolt 3/8in-16NC x 3/4in	
6	0961902	1	Bushing, Tapered	
7		Ref	Barrel Options:	
7	1683905	1	Barrel E600/M600	
7	1683900	1	Barrel E600J/M600J/E600JP/M600JP	
8		Ref	Rod Options:	
8	1683907	1	Rod E600/M600	
8	1683902	1	Rod E600J/M600J/E600JP/M600JP	
9	1684008	1	Head	
10	2220885	2	Plug, O-Ring	
12	3340880	2	Pad, Support	
13	3480257	1	Piston	
14	3572040	1	Plate, Support	
15	See Note	NSS	Ring, Wear (Note: Use Item 100)	
16	See Note	NSS	Ring, Back-up (Note: Use Item 100)	
17	See Note	NSS	Ring, Wear (Note: Use Item 100)	
18	See Note	NSS	O-Ring (Note: Use Item 100)	
19	See Note	NSS	O-Ring (Note: Use Item 100)	
20	See Note	NSS	O-Ring (Note: Use Item 100)	
21	3931448	4	Capscrew, Socket Head 1/4in-20NC x 3in	
22	3931528	8	Bolt, Socket Head 5/16in-18NC x 1-3/4in	
23	See Note	NSS	Ring, Back-up (Note: Use Item 100)	
24	See Note	NSS	Wiper (Note: Use Item 100)	
25	See Note	NSS	Seal (Note: Use Item 100)	
26	See Note	NSS	Seal, Rod (Note: Use Item 100)	
27	4568030	1	Spacer	
28	4641179	1	Valve Assembly (Note: No Serviceable Parts - Purchase Complete Valve)	
28A	7026616	1	Seal Kit - 4641179 Valve	
100	2902019	1	Seal Kit (Includes Items 15-20 & 23-26)	

SECTION 5 - CYLINDER

FIGURE 5-12. TELESCOPE CYLINDER ASSEMBLY (SERVICE REPLACEMENT)



ART_1001228017

SECTION 5 - CYLINDER

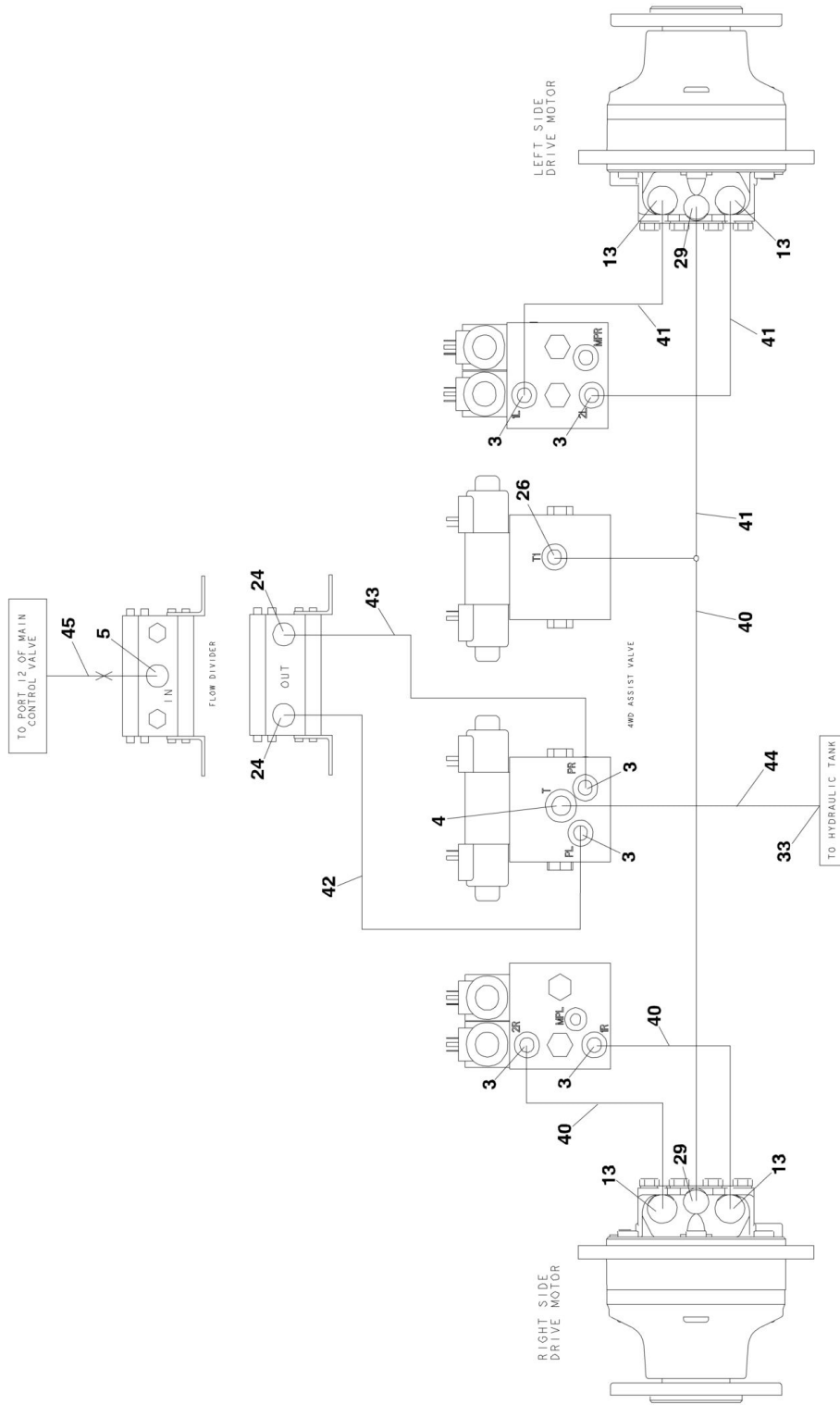
FIGURE 5-12. TELESCOPE CYLINDER ASSEMBLY (SERVICE REPLACEMENT)

ITEM	PART NUMBER	QTY	DESCRIPTION	REV
	1001228017	Ref	TELESCOPE CYLINDER ASSEMBLY (E600J/E600JP/M600J/M600JP) (SERVICE REPLACEMENT)	A
1	0100011	AR	Locking, Compound	
2	0100038	AR	Primer, Locking	
4	0630535	3	Bolt 1/4 x 1-1/8	
5	0641606	4	Bolt 3/8 x 3/4	
6	0961902	1	Bushing, Tapered	
7	See Note	NSS	Barrel (Note: Use Item 100)	
8	70006709	1	Rod	
9	70006710	1	Head	
10	2220885	2	Plug, O-Ring	
12	3340880	2	Pad, Support	
13	70006711	1	Piston	
14	3572040	1	Plate, Support	
15	See Note	NSS	Ring, Wear (Note: Use Item 100)	
16	See Note	NSS	Ring, Back-up (Note: Use Item 100)	
17	See Note	NSS	Ring, Wear (Note: Use Item 100)	
18	See Note	NSS	O-Ring (Note: Use Item 100)	
19	See Note	NSS	O-Ring (Note: Use Item 100)	
20	See Note	NSS	O-Ring (Note: Use Item 100)	
21	3931448	4	Capscrew 1/4 x 3	
22	3931528	8	Bolt 5/16 x 1-3/4	
23	See Note	NSS	Ring, Back-up (Note: Use Item 100)	
24	See Note	NSS	Wiper (Note: Use Item 100)	
25	See Note	NSS	Seal (Note: Use Item 100)	
26	See Note	NSS	Seal, Rod (Note: Use Item 100)	
27	70006712	1	Spacer	
28	4641179	1	Valve Assembly (Note: No Serviceable Parts - Purchase Complete Valve)	
28A	7026616	1	Seal Kit - 4641179 Valve	
100	2902019	1	Seal Kit (Includes Items 7, 15-20 & 23-26)	

SECTION 6 - HYDRAULIC

SECTION 6 - HYDRAULIC

FIGURE 6-1. 4WD HYDRAULIC DIAGRAM



1283240_B

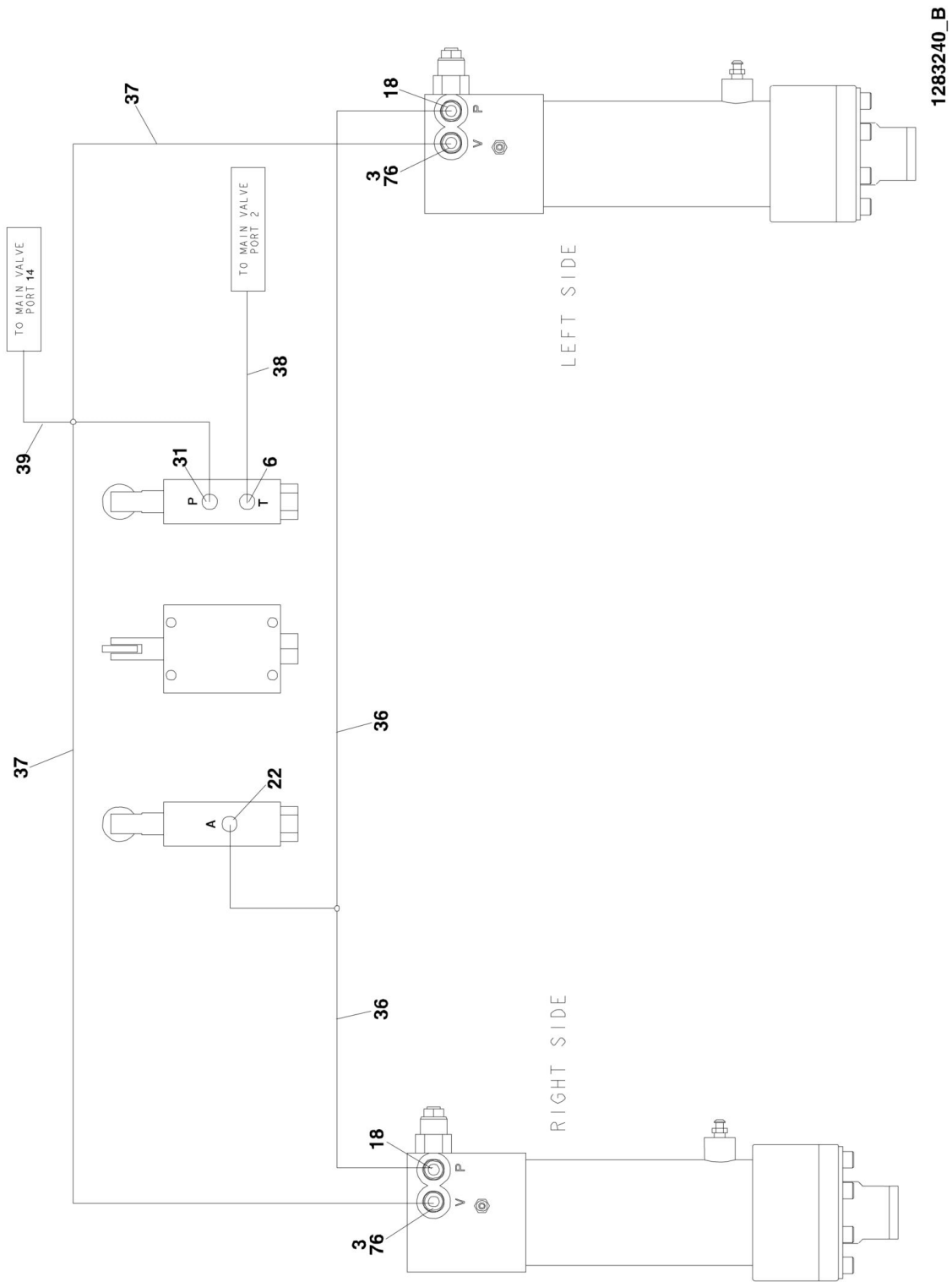
SECTION 6 - HYDRAULIC

FIGURE 6-1. 4WD HYDRAULIC DIAGRAM

ITEM	PART NUMBER	QTY	DESCRIPTION	REV
	2792423	Ref	DRIVE HYDRAULIC DIAGRAM - 4WD	1
3	2220371	6	Fitting, Straight	
4	2220373	1	Fitting, Straight	
5	2220374	1	Fitting, Straight	
13	2220497	4	Fitting, Straight	
14	2220828	2	Fitting, Elbow	
16	2220899	1	Fitting, Tee	
19	2220998	2	Fitting, Straight	
40	2753459	3	Hose	
41	2753460	3	Hose	
42	2753118	1	Hose	
43	2752648	1	Hose	
44	2753452	1	Hose	
45	2753461	1	Hose	

SECTION 6 - HYDRAULIC

FIGURE 6-2. OSCILLATING AXLE HYDRAULIC DIAGRAM



1283240_B

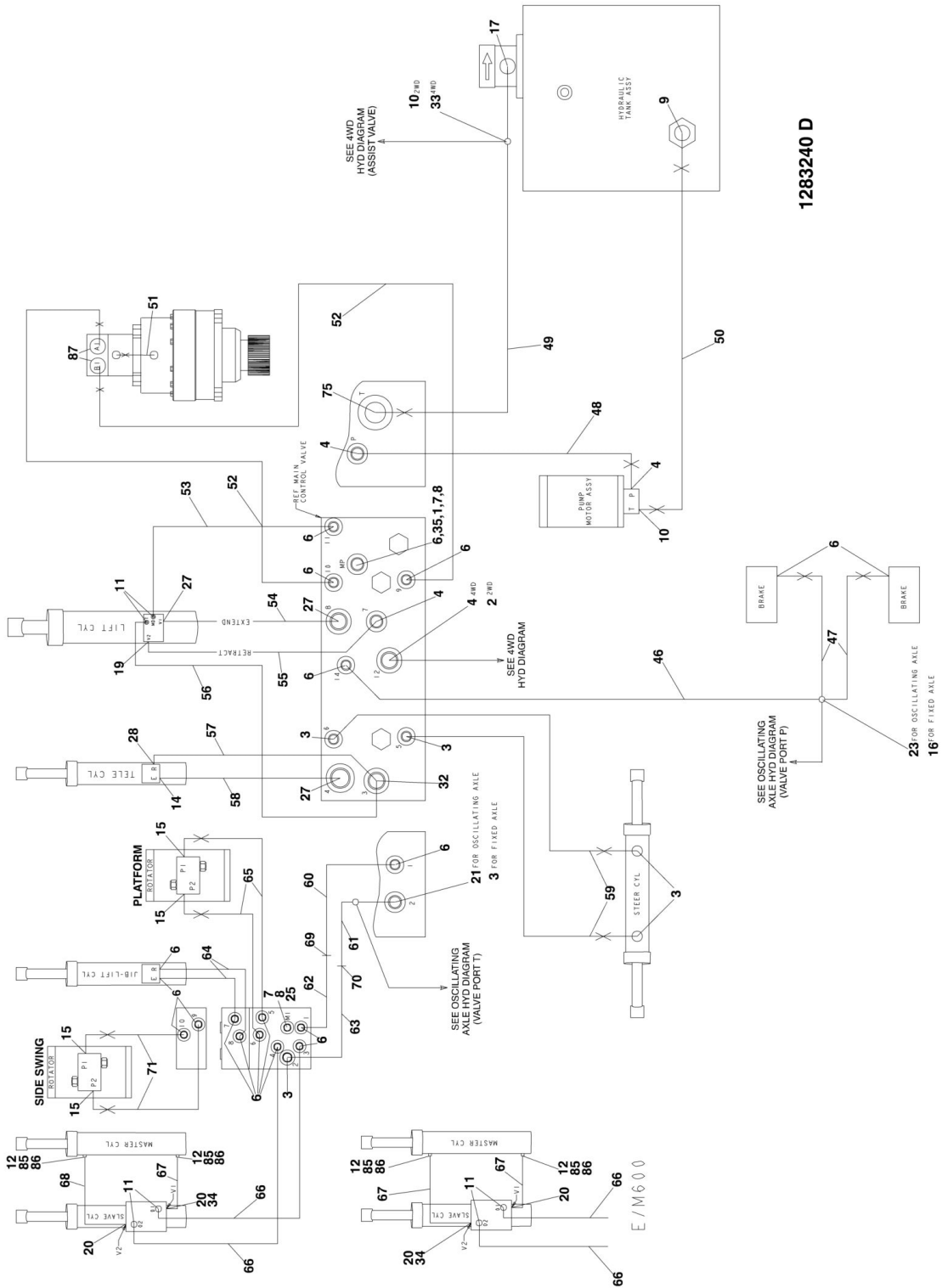
SECTION 6 - HYDRAULIC

FIGURE 6-2. OSCILLATING AXLE HYDRAULIC DIAGRAM

ITEM	PART NUMBER	QTY	DESCRIPTION	REV
	2792404	Ref	OSCILLATING AXLE HYDRAULIC DIAGRAM	3
3	2220371	2	Fitting, Straight	
6	2220415	1	Fitting, Straight	
18	2220582	2	Fitting, Straight	
22	2220711	1	Fitting, Tee	
31	2221043	1	Fitting, Tee	
36	2753002	1	Hose	
37	2752471	1	Hose	
38	2752631	1	Hose	
39	2752977	1	Hose	
76	2221074	2	Fitting, Straight Orifice	

SECTION 6 - HYDRAULIC

FIGURE 6-3. STANDARD HYDRAULIC DIAGRAM



SECTION 6 - HYDRAULIC

FIGURE 6-3. STANDARD HYDRAULIC DIAGRAM

ITEM	PART NUMBER	QTY	DESCRIPTION	REV
		Ref	STANDARD HYDRAULIC DIAGRAM	
	2792460	Ref	Standard Hydraulic Diagram E600 & M600	B
	2792461	Ref	Standard Hydraulic Diagram E600J & M600J	B
	2792462	Ref	Standard Hydraulic Diagram E600JP & M600JP	C
	2792427	Ref	Standard Hydraulic Diagram 2WD	1
	2792428	Ref	Fixed Axle	1
1	2220414	1	Fitting, Straight	
2	2220238	1	Fitting, Plug (2WD Only)	
3	2220371	AR	Fitting, Straight	
4	2220373	4	Fitting, Straight	
6	2220415	AR	Fitting, Straight	
7	2220428	AR	Fitting, Quick Disconnect	
8	2220429	AR	Cap, Dust	
9	2220435	1	Fitting, Straight	
10	2220451	1	Fitting, Straight	
11	2220466	4	Fitting, Elbow	
12	2220934	2	Fitting, Elbow	
14	2220500	1	Fitting, Elbow	
15	2220502	5	Fitting, Elbow	
16	2220504	1	Fitting, Tee (Fixed Axle Only)	
17	2220550	1	Fitting, Reducer	
19	2220596	1	Fitting, Elbow	
20		Ref	Fitting Options:	
20	2220603	2	Fitting E/M600 & E/M600J	
20	2220602	2	Fitting E/M600JP	
21	2220606	1	Fitting, Tee	
23	2220739	1	Fitting, Tee	
25		Ref	Fitting Options	
25	2220873	1	Fitting, Straight (Prior to SN 0300175053)	
25	2221086	1	Fitting, Diagnostic Test Port (SN 0300175053 through 0300219271)	
27	2220947	3	Fitting, Straight	
28	2220950	1	Fitting, Elbow	
32	2221061	1	Fitting, Tee	
33	2221063	1	Fitting, Tee	
34	4567139	1	Tube	
35	2752444	1	Hose	
46	2753462	1	Hose	
47	2753010	2	Hose	
48	2752498	1	Hose	
49	2753441	1	Hose	
50	2753440	1	Hose	
52	2753458	2	Hose	
53	2753444	1	Hose	
54	2753456	1	Hose	
55	2753454	1	Hose	
56	2753443	1	Hose	
57	2753453	AR	Hose (1/2 x 228)	
57	2753455	AR	Hose ((5/8 x 228)	
58	2753453	AR	Hose (1/2 x 228)	

SECTION 6 - HYDRAULIC

ITEM	PART NUMBER	QTY	DESCRIPTION	REV
58	2753455	AR	Hose ((5/8 x 228)	
59	2753451	2	Hose	
60	2753445	1	Hose	
61	2753447	1	Hose	
62		Ref	Hose Options:	
62	2753463	1	Hose E600 & M600	
62	2753446	1	Hose E600J & M600J	
62	2753493	1	Hose E600JP & M600JP	
63		Ref	Hose Options:	
63	2753464	1	Hose E600 & M600	
63	2753450	1	Hose E600J & M600J	
63	2753494	AR	Hose E600JP & M600JP	
64		Ref	Hose Options:	
64	Not Required	0	Hose E600 & M600	
64	2753457	2	Hose E600J & M600J	
64	2753390	AR	Hose E600JP & M600JP	
65		Ref	Hose Options:	
65	2753469	2	Hose E600 & M600	
65	2753458	2	Hose E600J & M600J	
65	2753458	2	Hose E600JP & M600JP	
66		Ref	Hose Options:	
66	2753470	2	Hose E600 & M600	
66	2753442	2	Hose E600J & M600J	
66	2753492	2	Hose E600JP & M600JP	
67		Ref	Hose Options:	
67	2753450	2	Hose E600 & M600	
67	2753448	1	Hose E600J & M600J	
67	2753448	1	Hose E600JP & M600JP	
68		Ref	Hose Options:	
68	Not Required	0	Hose E600 & M600	
68	2753449	1	Hose E600J & M600J	
68	2753449	AR	Hose E600JP & M600JP	
69	2230031	1	Fitting, Elbow	
70	2230033	NLA	Fitting, Elbow (Use p/n 8770189)	
71		Ref	Hose Options:	
71	Not Required	0	Hose E600 & M600	
71	Not Required	0	Hose E600J & M600J	
71	2753491	2	Hose E600JP & M600JP	
75	2220578	1	Fitting, Elbow	
85	4640861	2	Fitting, Bleeder	
86	0100020	AR	Loctite, #567 Pipe Sealant (Not Shown)	
87	2221033	2	Fitting, Straight	

SECTION 6 - HYDRAULIC

FIGURE 6-4. HYDRAULIC DIAGRAM LIST

ITEM	PART NUMBER	QTY	DESCRIPTION	REV
		Ref	Note: Diagrams not shown are available from JLG Service/Parts Departments.	Ref
		Ref	Drive Hydraulic Diagram Options:	
	1283102	Ref	Standard Diagram (Prior to SN 0300058845)	
	1283240	Ref	Standard Diagram (SN 0300058845 through 0300219271)	
	2792427	Ref	Drive Hydraulic Diagram 2WD	
	2792423	Ref	Drive Hydraulic Diagram 4WD	
		Ref	Axle Hydraulic Diagram Options:	
	1283102	Ref	Standard Diagram (Prior to SN 0300058845)	
	1283240	Ref	Standard Diagram (SN 0300058845 through 0300219271)	
	2792428	Ref	Fixed Axle	
	2792404	Ref	Oscillating Axle	
		Ref	Standard Hydraulic Diagram Options:	
	1283102	Ref	Standard Diagram (Prior to SN 0300058845)	
	2792424	Ref	Standard Diagram E600 & M600	
	2792425	Ref	Standard Diagram E600J & M600J	
	2792426	Ref	Standard Diagram E600JP & M600JP	
	1283240	Ref	Standard Diagram (SN 0300058845 through 0300219271)	
	2792460	Ref	Standard Diagram E600 & M600	
	2792461	Ref	Standard Diagram E600J & M600J	
	2792462	Ref	Standard Diagram E600JP & M600JP	
		Ref	Standard Hydraulic Schematic Options:	
	2792422	Ref	Standard Hydraulic Schematic (Prior to SN 0300058845)	
	2792459	Ref	Standard Hydraulic Schematic (SN 0300058845 through 0300219271)	
		Ref	Tow Hydraulic Diagram Options:	
	1283102	Ref	Standard Diagram (Prior to SN 0300058845)	
	2792451	Ref	Standard Diagram E600 & M600	
	2792452	Ref	Standard Diagram E600J & M600J	
	2792453	Ref	Standard Diagram E600JP & M600JP	
	1283240	Ref	Standard Diagram (SN 0300058845 through 0300219271)	
	2792476	Ref	Standard Diagram E600 & M600	
	2792477	Ref	Standard Diagram E600J & M600J	
	2792478	Ref	Standard Diagram E600JP & M600JP	

SECTION 7 - ELECTRICAL

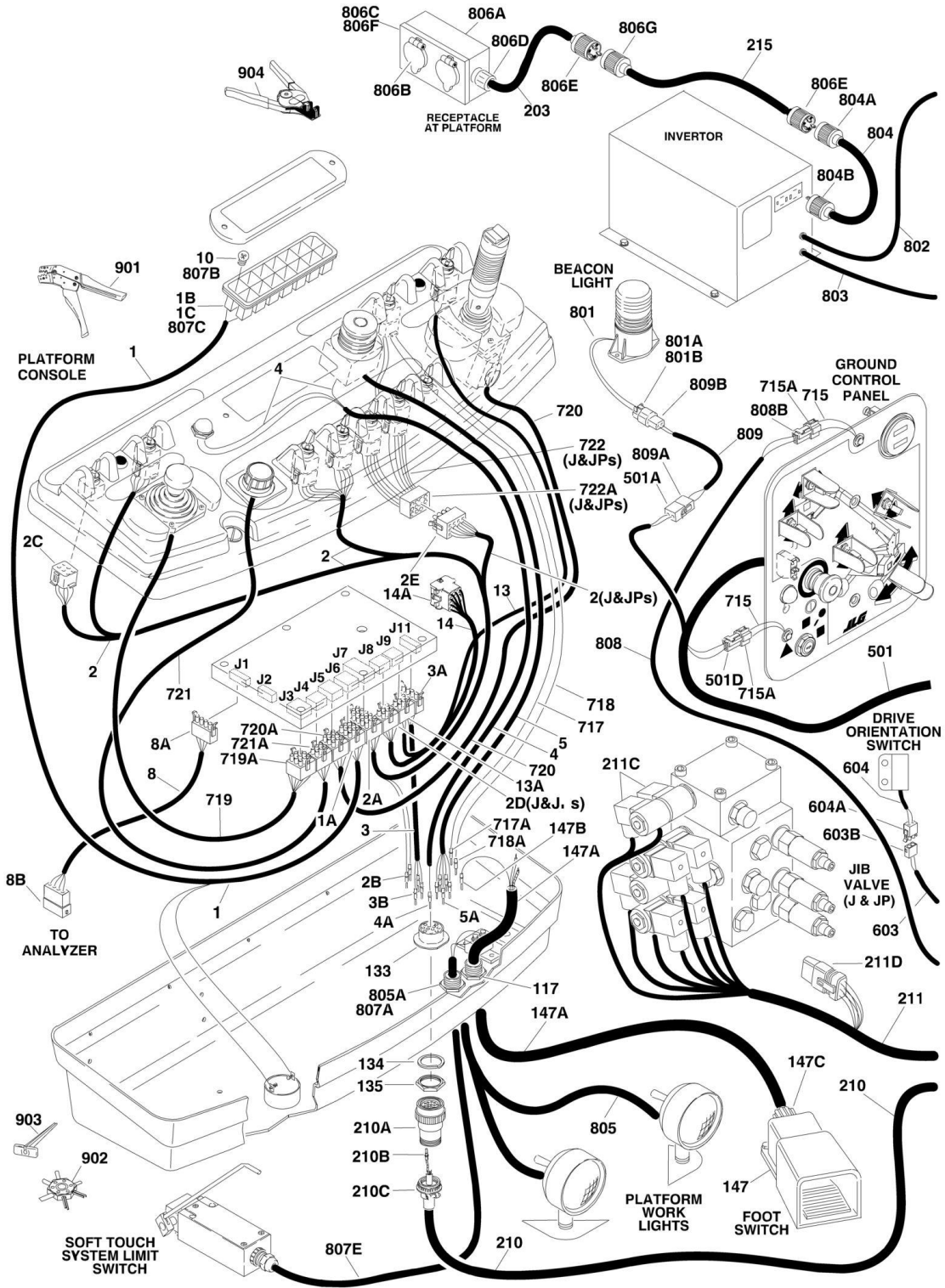
SECTION 7 - ELECTRICAL

FIGURE 7-1. ELECTRICAL DIAGRAM LIST

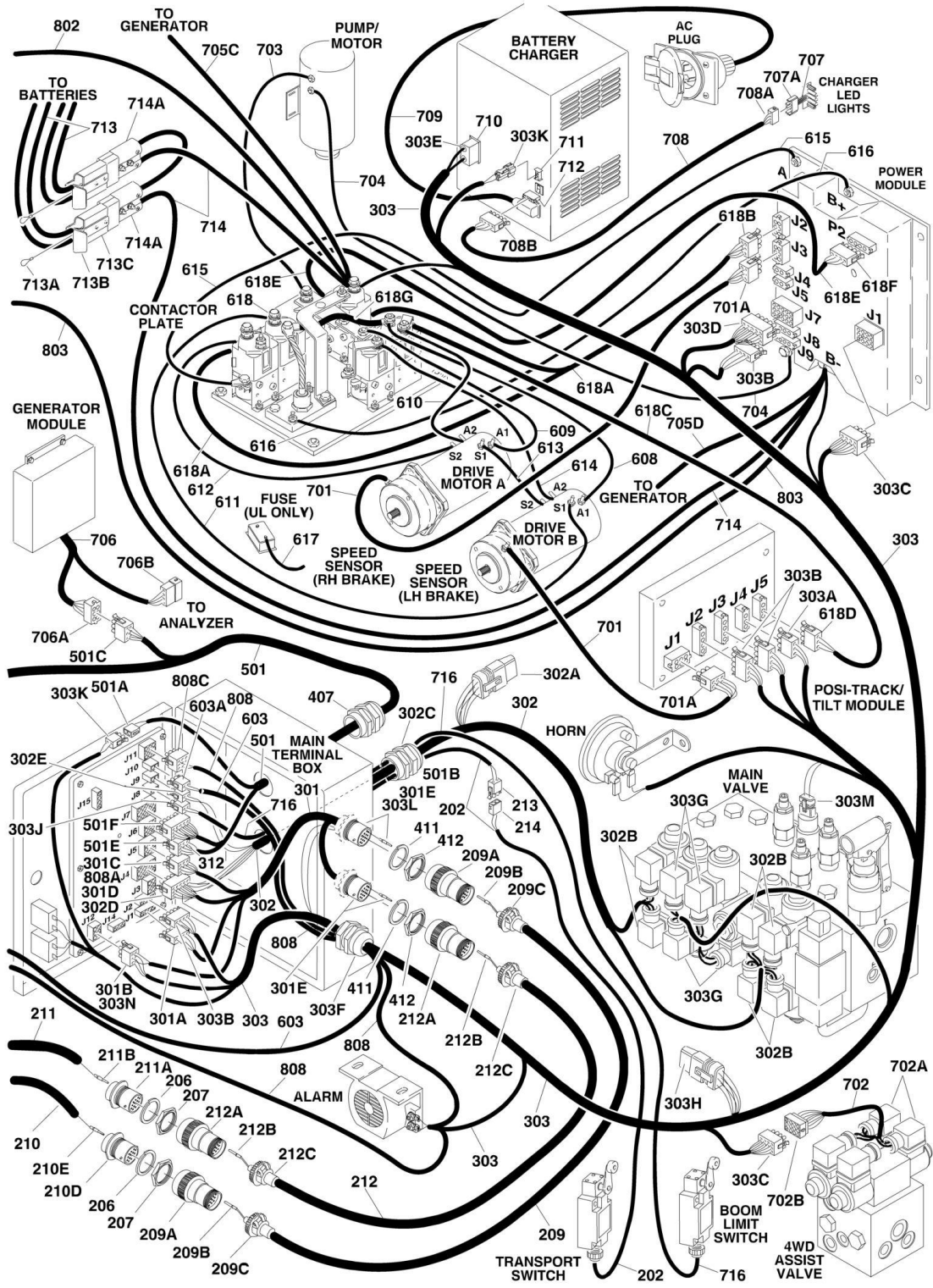
ITEM	PART NUMBER	QTY	DESCRIPTION	REV
		Ref	Note: Diagrams not shown are available from the JLG Service Department. Schematics shown in the Service and Maintenance Manual.	
	4933111	Ref	DRIVE ELECTRICAL DIAGRAM	
		Ref	GROUND CONTROL PANEL ELECTRICAL DIAGRAM	
	4933110	Ref	Ground Control Panel Electrical Diagram (Without SkyGuard) (Prior to SN 0300099756)	
	4933387	Ref	Ground Control Panel Electrical Diagram (Without SkyGuard) (SN 0300099756 through 0300219271)	
	1001191536	Ref	Ground Control Panel Electrical Diagram (With SkyGuard)	
	0270203	Ref	INVERTER ELECTRICAL DIAGRAM	
		Ref	PLATFORM ELECTRICAL DIAGRAM OPTIONS:	
	4933112	Ref	ANSI Spec	
	4933183	Ref	UL Spec	
	4933272	Ref	PLATFORM CAPACITY SYSTEM DIAGRAM (Optional)	
	4933132	Ref	MAIN TERMINAL BOX ELECTRICAL DIAGRAM	
	4933145	Ref	SOFT TOUCH ELECTRICAL DIAGRAM (Front Entry Platform)	
	4933317	Ref	SOFT TOUCH ELECTRICAL DIAGRAM (Side Entry Platform)	
		Ref	STANDARD ELECTRICAL SCHEMATIC	
	1870109	Ref	Standard Electrical Schematic (Prior to SN 0300099756)	
	1870226	Ref	Standard Electrical Schematic (SN 0300099756 through 0300219271)	

SECTION 7 - ELECTRICAL

FIGURE 7-2. HARNESS COMPONENTS INSTALLATION (WITH MAC CHARGER)



SECTION 7 - ELECTRICAL



SECTION 7 - ELECTRICAL

FIGURE 7-2. HARNESS COMPONENTS INSTALLATION (WITH MAC CHARGER)

ITEM	PART NUMBER	QTY	DESCRIPTION	REV
		Ref	HARNESS COMPONENTS INSTALLATION	
		Ref	PLATFORM BOX ELECTRICAL DIAGRAM OPTIONS:	
	4933112	Ref	ANSI Spec - E600J/M600J/E600JP/M600JP	G-G
		Ref	ANSI Spec - E600/M600	
	4933112	Ref	Platform Box Electrical Diagram (Prior to SN 0300172558)	4-F
	1001154137	Ref	Platform Box Electrical Diagram (SN 0300172558 through 0300219271)	A
	4933183	Ref	UL Spec - E600J/E600JP	5-E
		Ref	UL Spec - E600	
	4933183	Ref	Platform Box Electrical Diagram (Prior to SN 0300172558)	5-E
	1001154136	Ref	Platform Box Electrical Diagram (SN 0300172558 through 0300219271)	A
1		Ref	Harness, Indicator Lamp Options:	
1	4922074	1	Harness, Indicator Lamp (Prior to SN 0300141894)	5-H
1	1001109860	1	Harness, Indicator Lamp (SN 0300141894 through 0300219271)	B
1A	4460265	1	Connector - 9 Position	
1A	4460227	8	Pin, Male	
1B	4120035	AR	Socket, Lamp	
1C	4460634	AR	Socket (Single Wire)	
1C	4460635	AR	Socket (Two Wire)	
2		Ref	Harness, Function Switch Options:	
2	4922303	1	Harness, Function Switch E600J/M600J/E600JP/M600JP	5-D
2	4922303	1	Harness, Function Switch E600/M600 (Prior to SN 0300172558)	5-D
2	4922060	1	Harness, Function Switch E600/M600 (SN 0300172558 through 0300219271)	2-C
2A	4460434	1	Connector - 15 Position	
2A	4460226	12	Pin, Male	
2B	4460464	2	Pin, Male	
2C	4460418	4	Connector, Female	
2C	4460419	12	Terminal	
2D	4460225	1	Connector - 6 Position (Used with Harness p/n 4922303 Only)	
2D	4460227	5	Socket, Female	
2E	4460343	1	Connector - 12 Position (Used with Harness p/n 4922303 Only)	
2E	4460227	5	Socket, Female	
3	4922071	1	Harness, Can Bus	2-B
3A	4460321	1	Connector - 4 Position	
3A	4460227	2	Pin, Male	
3A	4460267	1	Pin, Male	
3B	4460464	3	Pin, Male	
4		Ref	Harness, Box Horn Options:	
4	4922118	1	ANSI Spec	2-B
4	4922555	1	UL Spec	1-A
4A	4460464	1	Pin, Male	
5		Ref	Harness, Miscellaneous Options:	
5	4922157	1	ANSI Spec	4-D
5	4922556	1	UL Spec	B
5A	4460464	AR	Pin, Male	

SECTION 7 - ELECTRICAL

ITEM	PART NUMBER	QTY	DESCRIPTION	REV
8	4922160	1	Harness, Analyzer	3-C
8A	4460321	1	Connector - 4 Position	
8A	4460226	4	Socket, Female	
8B	4460761	1	Connector, Female - 4 Position	
8B	4460227	4	Pin, Male	
10	2920129	AR	Bulb, Light	
13	1001116368	1	Harness, Drive Orientation Enable	
13A	4460225	1	Connector - 6 Position	
13A	4460227	2	Socket, Female	
14	4922307	1	Harness, Jumper (SN 0300181752 through 0300219271)	
14A	4460367	1	Connector, Female - 12 Position	
14A	4460226	5	Socket, Female	
		Ref	PLATFORM BOX ASSEMBLY COMPONENTS	
117	4460428	1	Connector, Strain Relief	
133	4460752	1	Connector, 14 Position	
134	4460497	1	Nut, Conduit	
135	4460496	1	Lockwasher, Conduit	
147		Ref	Footswitch Assembly Options:	
147	0272971	1	Footswitch Assembly (Prior to SN 0300193234)	C
147	1001136889	1	Footswitch Assembly (SN 0300193234 through 0300219271)	A
147A	1060330	7 ft/2.2m	Cable, Electrical - 16/3	
147B	4460464	AR	Pin, Male	
147C	4460071	2	Connector, Strain Relief	
		Ref	BOOM CABLES INSTALLATION	
	0259952	Ref	Boom Cables Installation E600 & M600	F
	0259953	Ref	Boom Cables Installation E600J & M600J	F
	0259954	Ref	Boom Cables Installation E600JP & M600JP	I
202	Not Required	0	Not Required	
203	1060494	NLA	Cable, Electrical - 12/3 (Use p/n 4922937)	
206	4460496	2	Lockwasher, Terminal	
207	4460497	2	Nut, Terminal	
209	4922355	1	Harness, Boom - Lower #18-11/1STP	1
209	1060677	22 ft/6.7m	Cable, Electrical - 18/11	
209A	4460754	2	Connector, Female - 14 Position	
209B	4460465	28	Socket, Female	
209C	4460492	2	Clamp, Cable	
210		Ref	Harness, Boom - Upper #18-11/1STP Options:	
210	4922356	1	Harness, Boom E600 & M600	3
210	4922358	1	Harness, Boom E600J & M600J	1
210		Ref	Harness, Boom E600JP & M600JP	
210	4922360	NLA	Harness, Boom (Use p/n 4922356) (Prior to SN 0300100004)	3
210	4922356	1	Harness, Boom (SN 0300100004 through 0300219271)	3
210		Ref	Cable, Electrical Options:	
210	1060677	55 ft /16.8m	Cable, Electrical E600 & M600 (18/11)	
210	1060677	52 ft /15.9m	Cable, Electrical E600J & M600J (18/11)	
210		Ref	Cable, Electrical E600JP & M600JP (18/6)	
210	1060780	55 ft /16.8m	Cable, Electrical (18/6) (Prior to SN 0300100004)	
210	1060781	55 ft	Cable, Electrical (18/5) (Prior to SN 0300100004)	

SECTION 7 - ELECTRICAL

ITEM	PART NUMBER	QTY	DESCRIPTION	REV
210	1060677	/16.8m 55 ft /16.8m	Cable, Electrical (18/11) (SN 0300100004 through 0300219271)	
210A	4460754	1	Connector, Female - 14 Position	
210B	4460465	14	Socket, Female	
210C	4460492	1	Clamp, Cable (Not Used on 4922356 Harness)	
210D	4460752	1	Connector - 14 Position	
210E	4460464	14	Pin, Male	
211		Ref	Harness, Rotator Valve - Upper Options:	
211	4922359	1	Harness, Rotator Valve - Upper E600 & M600	3
211	4922362	1	Harness, Rotator Valve - Upper E600J & M600J	2
211	4922357	1	Harness, Rotator Valve - Upper E600JP & M600JP	2
211	1060800	Ref	Cable, Electrical (18/9)Options:	
211	1060800	54 ft /16.5m	Cable, Electrical E600 & M600	
211	1060800	52 ft /15.9m	Cable, Electrical E600J & M600J	
211	1060800	53 ft /16.2m	Cable, Electrical E600JP & M600JP	
211A	4460752	1	Connector - 14 Position	
211B	4460464	9	Pin, Male	
211C	4460449	4	DIN Connector without Diode	
211D	4460836	1	Connector - 12 Position	
211D	4460837	1	Housing, Connector - 12 Position	
211D	4460465	5	Socket, Female	
212	4922361	1	Harness, Rotator Valve - Lower	1
212	1060800	22 ft/6.7m	Cable, Electrical - 18/9	
212A	4460754	2	Connector, Female - 14 Position	
212B	4460465	18	Socket, Female	
212C	4460492	2	Clamp, Cable	
213 to 214	Not Required	0	Not Required	
215	1060494	NLA	Cable, Electrical - 12/3 (Use p/n 4922938)	
	4933132	Ref	MAIN TERMINAL BOX DIAGRAM	3-F
301	4922325	1	Harness Assembly - Main Terminal Box	2-B
301A	4460321	1	Connector - 4 Position	
301A	4460227	3	Pin, Male	
301B	4460225	1	Connector - 6 Position	
301B	4460226	2	Socket, Female	
301C	4460265	1	Connector - 9 Position	
301C	4460226	5	Socket, Female	
301D	4460434	1	Connector - 15 Position	
301D	4460227	4	Pin, Male	
301E	4460752	2	Connector - 14 Position	
301E	4460464	16	Pin, Male	
302	4922322	1	Harness Assembly - Main Valve	3-C
302A	4460836	1	Connector - 12 Position	
302A	4460837	1	Housing, Connector - 12 Position	
302A	4460465	8	Socket, Female	
302B	4460449	6	DIN Connector without Diode	
302C	4460426	1	Connector, Strain Relief	
302D	4460227	6	Pin, Male	
302E	4460226	2	Socket, Female	

SECTION 7 - ELECTRICAL

ITEM	PART NUMBER	QTY	DESCRIPTION	REV
303	4922326	1	Harness Assembly - Frame and Turntable	4-D
303A	4460326	1	Connector - 3 Position	
303A	4460227	3	Pin, Male	
303B	4460321	4	Connector - 4 Position	
303B	4460227	12	Pin, Male	
303C	4460343	2	Connector - 12 Position	
303C	4460227	18	Pin, Male	
303D	4460434	1	Connector - 15 Position	
303D	4460226	12	Socket, Female	
303E	4460444	1	Connector, Anderson	
303F	4460426	1	Connector, Strain Relief	
303G	4460449	4	DIN Connector without Diode	
303H	4460836	1	Connector - 12 Position	
303H	4460837	1	Housing, Connector - 12 Position	
303H	4460465	9	Socket, Female	
303J	4460320	1	Connector - 2 Position	
303J	4460227	2	Pin, Male	
303K	4460320	2	Connector - 2 Position	
303K	4460226	4	Socket, Female	
303L	4460464	2	Pin, Deutsch	
303M	4460742	1	Connector - 2 Position	
303M	4460743	2	Terminal, Female	
303M	4460458	2	Seal, Cable	
303N	4460226	12	Socket, Female	
312	1001116528	1	Harness, Drive Orientation Enable	
312	4460227	2	Pin, Male	
	0861336	Ref	MAIN TERMINAL BOX COMPONENTS	F
407	4460426	1	Connector, Strain Relief	
411	4460496	2	Lockwasher, Terminal	
412	4460497	2	Nut, Terminal	
		Ref	GROUND CONTROL BOX DIAGRAM	
	4933110	Ref	Ground Control Box Diagram (Prior to SN 0300099756)	2-F
	4933387	Ref	Ground Control Box Diagram (SN 0300099756 through 0300219271)	1-A
501		Ref	Ground Control Harness Assembly	
501	4922350	Ref	Ground Control Harness Assembly (Prior to SN 0300099756)	6-G
501	4923627	Ref	Ground Control Harness Assembly (SN 0300099756 through 0300219271)	2-E
501A	4460424	1	Connector, 2 Position	
501A	4460268	2	Socket, Female	
501B	4460464	4	Pin, Deutsch	
501C	4460225	1	Connector - 6 Position	
501C	4460227	5	Pin, Male	
501D	4460320	AR	Connector, Female - 2 Position	
501D	4460227	AR	Pin, Male	
501E	4460265	1	Connector - 9 Position	
501E	4460227	3	Pin, Male	
501F	4460434	1	Connector - 15 Position	
501F	4460226	13	Socket, Female	
		Ref	DRIVE CABLES INSTALLATIONS	
	0259741	Ref	ANSI Spec (Prior to SN 0300112387)	E
	0274284	Ref	ANSI Spec (SN 0300112387 through 0300219271)	D

SECTION 7 - ELECTRICAL

ITEM	PART NUMBER	QTY	DESCRIPTION	REV
	0270382	Ref	UL Spec (Prior to SN 0300112387)	C
	0274285	Ref	UL Spec (SN 0300112387 through 0300219271)	C
603	1001116521	1	Drive Orientation Harness	
603A	4460320	1	Plug, Male - 2 Position	
603A	4460227	2	Pin, Male	
603B	4460424	1	Connector, Female - 2 Position	
603B	4460226	2	Socket, Female	
604	4360517		Proximity Switch Harness (Includes Switch)	
604A	4460320	1	Plug, Male - 2 Position	
604A	4460227	2	Pin, Male	
608		Ref	Electrical Cable Options: (B Motor A1 to Contactor MB2)	
608	1060782	1	ANSI Spec	
608	1060851	1	UL Spec	
609		Ref	Electrical Cable Options: (A Motor A1 to Contactor MA1)	
609	1060783	1	ANSI Spec	
609	1060852	1	UL Spec	
610		Ref	Electrical Cable Options: (A Motor A2 to Contactor MA2)	
610	1060784	1	ANSI Spec	
610	1060853	1	UL Spec	
611		Ref	Electrical Cable Options: (B Motor S1 to Contactor SB1)	
611	1060785	1	ANSI Spec	
611	1060854	1	UL Spec	
612		Ref	Electrical Cable Options: (A Motor S2 to Contactor SA1)	
612	1060786	1	ANSI Spec	
612	1060855	1	UL Spec	
613		Ref	Electrical Cable Options: (B Motor S2 to A Motor S1)	
613	1060787	1	ANSI Spec	
613	1060856	1	UL Spec	
614		Ref	Electrical Cable Options: (A Motor S2 to Contactor SA1)	
614	1060791	1	ANSI Spec	
614	1060857	1	UL Spec	
615		Ref	Electrical Cable Options: (Contactor A to Power Module A)	
615	1060792	1	ANSI Spec	
615	1060858	1	UL Spec	
616		Ref	Electrical Cable Options: (Contactor B+ to Power Module B+)	
616	1060793	1	ANSI Spec	
616	1060859	1	UL Spec	
617		Ref	Electrical Cable Options: (Fuse to Line Contactor B+)	
617	Not Required	0	ANSI Spec	
617	1060847	1	UL Spec	
618		Ref	Contactor Plate Assembly Options:	
618	1600294	1	ANSI Spec	
618	1600300	1	UL Spec	
618A		Ref	Contactor Harness Options:	
618A	7022003	1	ANSI Spec	
618A	7022008	1	UL Spec	
618B	4460225	1	Connector - 6 Position	
618B	4460226	6	Socket, Female	
618C	7022004	1	Posi-Track Harness (ANSI Spec Only)	
618D	4460326	1	Connector - 3 Position	
618D	4460227	3	Pin, Male	

SECTION 7 - ELECTRICAL

ITEM	PART NUMBER	QTY	DESCRIPTION	REV
618E	7022005	1	Shunt Harness	
618F	4460321	1	Connector - 4 Position	
618F	4460227	4	Pin, Male	
618G	7022012	1	Cable, Electrical	
		Ref	Kit, Drive System Cable	
	2901883	1	ANSI Spec (Includes Items 608-616)	
	2901942	1	UL Spec (Includes Items 608-617)	
		Ref	STANDARD HARNESS COMPONENTS	
701	See Note	NSS	Speed Sensor Harness (Note: Not Available - Purchase Complete Sensor p/n 3990107)	A
701A	4460225	2	Connector - 6 Position	
701A	4460226	8	Socket, Female	
702	4922323	1	4WD Assist Valve Harness Assembly (4WD Only)	
702A	4460449	4	Connector, DIN without Diode	
702B	4460367	1	Connector, Female - 12 Position	
702B	4460226	8	Socket, Female	
703	1060794	1	Cable, Electrical - Pump	
704	1060795	1	Cable, Electrical - Pump	
705	2901913	1	Battery Cable Kit	
705A	1060819	1	Cable, Battery (Generator Start Battery - to Ground) (Not Shown - M600 Only)	
705B	1060820	1	Cable, Battery (Battery + to Generator Starter) (Not Shown - M600 Only)	
705C	1060821	1	Cable, Battery (Generator + to Contactor Panel) (M600 Only)	
705D	1060822	1	Cable, Battery (Generator - to Power Module) (M600 Only)	
706		Ref	Generator Harness Options: (M600 Only)	
706	7020155	1	Generator Harness (Yanmar Generator) (Prior to SN 0300061331)	
706	7023486	1	Generator Harness (Yanmar Generator) (SN 0300061331 through 0300088374)	
706	70000328	1	Generator Harness (Kubota Generator) (SN 0300088375 through 0300219271)	
706A	4460224	1	Connector, Female - 6 Position (Prior to SN 0300061331)	
706A	4460226	5	Socket, Female (Prior to SN 0300061331)	
706B	4460761	1	Connector, Female - 4 Position (SN 0300061331 through 0300219271)	
706B	4460227	4	Pin, Male (SN 0300061331 through 0300219271)	
706C	70005169	1	Analyzer Harness (Kubota Generator) (Not Shown)	
707	See Note	NSS	LED Light Harness Assembly - Battery Condition (Note: Not Available - Purchase Complete p/n 0610131)	
707A	4460321	1	Connector - 4 Position	
707A	4460227	4	Pin, Male	
708	1060813		Cable, Remote LED Light	
708A	4460761	1	Connector, Female - 4 Position	
708A	4460226	4	Socket, Female	
708B	4460321	1	Connector - 4 Position	
708B	4460226	4	Socket, Female	
709		Ref	Cable, AC Cord Options:	
709	1060812		110V/60Hz (ANSI Spec)	
709	1060814		120-240V/50-60Hz (ANSI Export Spec Option)	
709	1060814		250V/50Hz (ANSI Export Spec Option)	
709	1060812		100V/50-60Hz (Japanese Spec)	
710	7022910	1	Harness, Internal Charger DC	

SECTION 7 - ELECTRICAL

ITEM	PART NUMBER	QTY	DESCRIPTION	REV
710	7011590	1	Plug, DC	
711		Ref	Harness, Internal Charger PC Board - 17 Position Options:	
711	7020645	1	All except Japanese Spec	
711	7020692	1	Japanese Spec	
711	7011621	1	Connector - 2 Position	
712		Ref	Harness, Internal Charger LED - 4 Position Options:	
712	7020646	1	All except Japanese Spec	
712	7020693	1	Japanese Spec	
713	1060803	2	Battery Box Cable Assembly	
713A	1060799	2	Lanyard (1 Per Assembly)	
713B	1320172	2	Handle, Pull (1 Per Assembly)	
713C	4460025	2	Connector (1 Per Assembly)	
714	1060804	1	Battery Box Cable Assembly	
714A	4460025	2	Connector	
715	See Note	NSS	Harness, LED Light (Note: Not Available for Purchase)	
715A	4460424	2	Connector - 2 Position	
715A	4460226	4	Socket, Female	
716	1060341	8 ft/2.43m	Cable, Electrical - 16/2 (To Boom Limit Switch)	
717	4922222	1	Generator Enable Harness (Yellow/Red) (M600/J/JP Only)	B
717A	4460464	1	Pin, Male	
718	4922223	1	Generator Enable Harness (White/Yellow) (M600/J/JP Only)	A
718A	4460464	1	Pin, Male	
719	See Note	NSS	Controller Harness Assembly (Lift and Swing) (Note: Not Available - Purchase Complete Controller)	
719A	4460265	1	Connector - 9 Position	
719A	4460226	8	Socket, Female	
720	See Note	NSS	Controller Harness/Circuit Board Assembly (Drive and Steer) (Note: Not Available - Purchase Complete Controller)	
720A	4460265	1	Connector - 9 Position	
720A	4460226	7	Socket, Female	
721	See Note	NSS	Controller Harness Assembly (Speed) (Note: Not Available - Purchase Complete Controller)	
721A	4460225	1	Connector - 6 Position	
721A	4460226	4	Socket, Female	
722	4922307	1	Harness, Jib Harness Function (J/JP Models Only)	
722A	4460367	1	Connector, Female - 12 Position	
722A	4460226	5	Socket, Female	
		Ref	OPTIONAL HARNESS COMPONENTS	
801	See Note	NSS	Strobe Light Harness (Note: Not Available - Purchase Complete Strobe Light)	
801A	4460320	1	Plug, Male - 2 Position (Prior to SN 0300169430)	
801A	4460268	2	Socket, Female	
801B	4460891	1	Plug, Male - 2 Position (SN 0300169430 through 0300219271)	
801B	4460465	2	Socket, Female	
802	1060827	1	Cable, Inverter +	
803	1060828	1	Cable, Inverter -	
804	4922390	1	Harness, Inverter	
804	1060494	75 in/1.9m	Cable, Electrical - 12/3	
804A	4460134	1	Connector, Female	
804B	4460138	1	Plug, Male	
805	2920095	2	Platform Worklights Harness (Includes Light and Wire Only)	
805A	4460428	1	Connector, Strain Relief	

SECTION 7 - ELECTRICAL

ITEM	PART NUMBER	QTY	DESCRIPTION	REV
806		Ref	AC to Platform Receptacle Components Options:	
806	0258303	Ref	110V Receptacle (ANSI and ANSI Export)	6
806	0258305	Ref	220V Receptacle (ANSI)	3
806	0258304	Ref	220V Receptacle (ANSI Export)	3
806A	0860038	1	Box, Switch	
806B		Ref	Receptacle Options:	
806B	4460346	1	110V GFI (ANSI)	
806B	4460125	1	220V GFI (ANSI)	
806B	See Note	NLA	220V GFI (ANSI Export) (Note: Not Available Purchase Locally)	
806C		Ref	Shield, Cover Options:	
806C		Ref	110V GFI (ANSI)	
806C	4060700	1	Gang Side Hinged Cover (Prior to SN 0300138117)	
806C	1001110873	1	Gang Top Hinged Cover (SN 0300138117 through 0300219271)	
806C	1001110872	1	110V GFI (ANSI) (Single Top Hinged Cover)	
806C	4060092	1	220V GFI (ANSI)	
806C	See Note	NLA	220V GFI (ANSI Export) (Note: Not Available - Purchase Locally)	
806D		Ref	Connector, Strain Relief Options:	
806D	4460071	1	110V GFI (ANSI)	
806D	4460071	1	220V GFI (ANSI)	
806D	See Note	NLA	220V GFI (ANSI Export) (Note: Not Available - Purchase Locally)	
806E		Ref	Plug, Male Options:	
806E	4460205	2	110V GFI (ANSI)	
806E	4460233	2	220V GFI (ANSI)	
806E	4460709	2	220V GFI (ANSI Export)	
806F	3960422	1	Gasket	
806G		Ref	Connector, Female Options:	
806G	4460134	1	110V GFI (ANSI)	
806G	4460701	1	220V GFI (ANSI)	
806G	4460710	1	220V GFI (ANSI Export)	
807	4933145	Ref	Soft Touch Electrical Components (Front Entry Platform)	2-B
807	4933317	Ref	Soft Touch Electrical Components (Side Entry Platform)	1-A
807A		Ref	Connector, Strain Relief Options:	
807A	4460428	1	Front Entry Platform	
807A	4460425	1	Side Entry Platform	
807B	2920129	1	Bulb, Light	
807C	4120035	1	Holder, Lamp	
807D	4922324	1	Harness, Soft Touch Enable Switch to PC Board (Not Shown)	
807E	1060494	Ref	Cable, Electrical - 16/3 Options:	
807E	1060494	28 ft/8.5m	Front Entry Platform	
807E	1060494	15 ft/4.6m	Side Entry Platform	
808 to 808	Not Required	0	Not Required	
809	1001149818	1	Strobe Light Harness (SN 0300169430 through 0300219271)	B
809A	4460320	1	Connector, Female - 2 Position	
809A	4460267	2	Pin, Male	
809B	4460897	1	Connector, Female - 2 Position	
809B	4460464	2	Pin, Male	
		Ref	TOOLS	
901	7002821	1	Crimper (For Wire to Pin/Socket Connections)	

SECTION 7 - ELECTRICAL

ITEM	PART NUMBER	QTY	DESCRIPTION	REV
902	7002823	1	Extractor (For Removal of Pin/Socket from Connectors)	
903	4460467	1	Extractor, Pin (Blue 16-18 Gauge) (For Removal of Pin/Socket from Connectors)	
903	4460510	1	Extractor, Pin (Yellow 12-14 Gauge) (For Removal of Pin/Socket from Connectors)	
904	7002828	1	Stripper, Wire	
905	2901443	1	Analyzer, Machine (Not Shown)	
906	1001137005	1	Software Cable Kit (Not Shown)	

SECTION 7 - ELECTRICAL

FIGURE 7-3. HARNESS COMPONENTS INSTALLATION (WITH DELTA-Q CHARGER)

ITEM	PART NUMBER	QTY	DESCRIPTION	REV
		Ref	HARNESS COMPONENTS INSTALLATION	
		Ref	PLATFORM BOX ELECTRICAL DIAGRAM OPTIONS:	
	4933112	Ref	ANSI Spec - E600J/M600J/E600JP/M600JP	G-G
		Ref	ANSI Spec - E600/M600	
	4933112	Ref	Platform Box Electrical Diagram (Prior to SN 0300172558)	4-J
	1001154137	Ref	Platform Box Electrical Diagram (SN 0300172558 through 0300219271)	B
	4933183	Ref	UL Spec - E600J/E600JP	5-E
		Ref	UL Spec - E600	
	4933183	Ref	Platform Box Electrical Diagram (Prior to SN 0300172558)	5-E
	1001154136	Ref	Platform Box Electrical Diagram (SN 0300172558 through 0300219271)	B
1		Ref	Harness, Indicator Lamp Options:	
1	4922074	1	Harness, Indicator Lamp (Prior to SN 0300141894)	5-H
1	1001109860	1	Harness, Indicator Lamp (SN 0300141894 through 0300219271)	B
1A	4460265	1	Connector - 9 Position	
1A	4460227	8	Pin, Male	
1B	4120035	AR	Socket, Lamp	
1C	4460634	AR	Socket (Single Wire)	
1C	4460635	AR	Socket (Two Wire)	
2		Ref	Harness, Function Switch Options:	
2	4922303	1	Harness, Function Switch E600J/M600J/E600JP/M600JP	E
2	4922303	1	Harness, Function Switch E600/M600 (Prior to SN 0300172558)	E
2	4922060	1	Harness, Function Switch E600/M600 (SN 0300172558 through 0300219271)	D
2A	4460434	1	Connector - 15 Position	
2A	4460226	12	Pin, Male	
2B	4460464	2	Pin, Male	
2C	4460418	4	Connector, Female	
2C	4460419	12	Terminal	
2D	4460225	1	Connector - 6 Position (Used with Harness p/n 4922303 Only)	
2D	4460227	5	Socket, Female	
2E	4460343	1	Connector - 12 Position (Used with Harness p/n 4922303 Only)	
2E	4460227	5	Socket, Female	
3	4922071	1	Harness, Can Bus	2-B
3A	4460321	1	Connector - 4 Position	
3A	4460227	2	Pin, Male	
3A	4460267	1	Pin, Male	
3B	4460464	3	Pin, Male	
4		Ref	Harness, Box Horn Options:	
4	4922118	1	ANSI Spec	2-B
4	4922555	1	UL Spec	1-A
4A	4460464	1	Pin, Male	
5		Ref	Harness, Miscellaneous Options:	
5	4922157	1	ANSI Spec	4-D
5	4922556	1	UL Spec	B
5A	4460464	AR	Pin, Male	

SECTION 7 - ELECTRICAL

ITEM	PART NUMBER	QTY	DESCRIPTION	REV
8	4922160	1	Harness, Analyzer	3-C
8A	4460321	1	Connector - 4 Position	
8A	4460226	4	Socket, Female	
8B	4460761	1	Connector, Female - 4 Position	
8B	4460227	4	Pin, Male	
10	2920129	AR	Bulb, Light	
13	1001116368	1	Harness, Drive Orientation Enable	
13A	4460225	1	Connector - 6 Position	
13A	4460227	2	Socket, Female	
14	4922307	1	Harness, Jumper (SN 0300181752 through 0300219271)	
14A	4460367	1	Connector, Female - 12 Position	
14A	4460226	5	Socket, Female	
		Ref	PLATFORM BOX ASSEMBLY COMPONENTS	
117	4460428	1	Connector, Strain Relief	
133	4460752	1	Connector, 14 Position	
134	4460497	1	Nut, Conduit	
135	4460496	1	Lockwasher, Conduit	
147		Ref	Footswitch Assembly Options:	
147	0272971	1	Footswitch Assembly (Prior to SN 0300193234)	C
147	1001136889	1	Footswitch Assembly (SN 0300193234 through 0300219271)	A
147A	1060330	7 ft/2.2m	Cable, Electrical - 16/3	
147B	4460464	AR	Pin, Male	
147C	4460071	2	Connector, Strain Relief	
155	1001189074	1	SkyGuard Harness (Not Shown)	
156	1001189075	1	SkyGuard Can Harness (Not Shown)	
		Ref	BOOM CABLES INSTALLATION	
	0259952	Ref	Boom Cables Installation E600 & M600	F
	0259953	Ref	Boom Cables Installation E600J & M600J	F
	0259954	Ref	Boom Cables Installation E600JP & M600JP	I
202	Not Required	0	Not Required	
203	1060494	NLA	Cable, Electrical - 12/3 (Use p/n 4922937)	
206	4460496	2	Lockwasher, Terminal	
207	4460497	2	Nut, Terminal	
209	4922355	1	Harness, Boom - Lower #18-11/1STP	1
209	1060677	22 ft/6.7m	Cable, Electrical - 18/11	
209A	4460754	2	Connector, Female - 14 Position	
209B	4460465	28	Socket, Female	
209C	4460492	2	Clamp, Cable	
210		Ref	Harness, Boom - Upper #18-11/1STP Options:	
210	4922356	1	Harness, Boom E600 & M600	
210	4922358	1	Harness, Boom E600J & M600J	
210		Ref	Harness, Boom E600JP & M600JP	
210	4922360	NLA	Harness, Boom (Use p/n 4922356) (Prior to SN 0300100004)	
210	4922356	1	Harness, Boom (SN 0300100004 through 0300219271)	
210		Ref	Cable, Electrical Options:	
210	1060677	55 ft /16.8m	Cable, Electrical E600 & M600 (18/11)	
210	1060677	52 ft /15.9m	Cable, Electrical E600J & M600J (18/11)	
210		Ref	Cable, Electrical E600JP & M600JP (18/6)	
210	1060780	55 ft	Cable, Electrical (18/6) (Prior to SN 0300100004)	

SECTION 7 - ELECTRICAL

ITEM	PART NUMBER	QTY	DESCRIPTION	REV
210	1060781	/16.8m 55 ft	Cable, Electrical (18/5) (Prior to SN 0300100004)	
210	1060677	/16.8m 55 ft	Cable, Electrical (18/11) (SN 0300100004 through 0300219271)	
210A	4460754	1	Connector, Female - 14 Position	
210B	4460465	14	Socket, Female	
210C	4460492	1	Clamp, Cable (Not Used on 4922356 Harness)	
210D	4460752	1	Connector - 14 Position	
210E	4460464	14	Pin, Male	
211		Ref	Harness, Rotator Valve - Upper Options:	
211	4922359	1	Harness, Rotator Valve E600 & M600	3
211	4922362	1	Harness, Rotator Valve E600J & M600J	2
211	4922357	1	Harness, Rotator Valve E600JP & M600JP	2
211	1060800	Ref	Cable, Electrical (18/9)Options:	
211	1060800	54 ft /16.5m	Cable, Electrical E600 & M600	
211	1060800	52 ft /15.9m	Cable, Electrical E600J & M600J	
211	1060800	53 ft /16.2m	Cable, Electrical E600JP & M600JP	
211A	4460752	1	Connector - 14 Position	
211B	4460464	9	Pin, Male	
211C	4460449	4	DIN Connector without Diode	
211D	4460836	1	Connector - 12 Position	
211D	4460837	1	Housing, Connector - 12 Position	
211D	4460465	5	Socket, Female	
212	4922361	1	Harness, Rotator Valve - Lower	1
212	1060800	22 ft/6.7m	Cable, Electrical - 18/9	
212A	4460754	2	Connector, Female - 14 Position	
212B	4460465	18	Socket, Female	
212C	4460492	2	Clamp, Cable	
213 to 214	Not Required	0	Not Required	
215	1060494	NLA	Cable, Electrical -12/3 (Use p/n 4922938)	
	4933132	Ref	MAIN TERMINAL BOX DIAGRAM	3-F
301	4922325	1	Harness Assembly - Main Terminal Box	2-B
301A	4460321	1	Connector - 4 Position	
301A	4460227	3	Pin, Male	
301B	4460225	1	Connector - 6 Position	
301B	4460226	2	Socket, Female	
301C	4460265	1	Connector - 9 Position	
301C	4460226	5	Socket, Female	
301D	4460434	1	Connector - 15 Position	
301D	4460227	4	Pin, Male	
301E	4460752	2	Connector - 14 Position	
301E	4460464	16	Pin, Male	
302	4922322	1	Harness Assembly - Main Valve	3-C
302A	4460836	1	Connector - 12 Position	
302A	4460837	1	Housing, Connector - 12 Position	
302A	4460465	8	Socket, Female	
302B	4460449	6	DIN Connector without Diode	
302C	4460426	1	Connector, Strain Relief	

SECTION 7 - ELECTRICAL

ITEM	PART NUMBER	QTY	DESCRIPTION	REV
302D	4460227	6	Pin, Male	
302E	4460226	2	Socket, Female	
303	4922326	1	Harness Assembly - Frame and Turntable	4-D
303A	4460326	1	Connector - 3 Position	
303A	4460227	3	Pin, Male	
303B	4460321	4	Connector - 4 Position	
303B	4460227	12	Pin, Male	
303C	4460343	2	Connector - 12 Position	
303C	4460227	18	Pin, Male	
303D	4460434	1	Connector - 15 Position	
303D	4460226	12	Socket, Female	
303F	4460426	1	Connector, Strain Relief	
303G	4460449	4	DIN Connector without Diode	
303H	4460836	1	Connector - 12 Position	
303H	4460837	1	Housing, Connector - 12 Position	
303H	4460465	9	Socket, Female	
303J	4460320	1	Connector, 2 Position	
303J	4460227	2	Pin, Male	
303K	4460320	2	Connector, 2 Position	
303K	4460226	4	Socket, Female	
303L	4460464	2	Pin, Deutsch	
303M	4460742	1	Connector - 2 Position	
303M	4460743	2	Terminal, Female	
303M	4460458	2	Seal, Cable	
303N	4460226	12	Socket, Female	
312	1001116528	1	Harness, Drive Orientation Enable	
312	4460227	2	Pin, Male	
	0861336	Ref	MAIN TERMINAL BOX COMPONENTS	F
407	4460426	1	Connector, Strain Relief	
411	4460496	2	Lockwasher, Terminal	
412	4460497	2	Nut, Terminal	
		Ref	GROUND CONTROL BOX DIAGRAM	
	4933110	Ref	Ground Control Box Diagram (Without SkyGuard) (Prior to SN 0300099756)	2-F
	4933387	Ref	Ground Control Box Diagram (Without SkyGuard) (SN 0300099756 through 0300219271)	1-A
	1001191536	Ref	Ground Control Box Diagram (With SkyGuard)	D
501		Ref	Ground Control Harness Assembly	
501	4922350	Ref	Ground Control Harness Assembly (Prior to SN 0300099756)	6-G
501	4923627	Ref	Ground Control Harness Assembly (Without SkyGuard) (SN 0300099756 through 0300219271)	F
501	1001187420	Ref	Ground Control Harness Assembly (With SkyGuard)	D
501A	4460424	1	Connector, 2 Position	
501A	4460268	2	Socket, Female	
501B	4460464	4	Pin, Deutsch	
501C	4460225	1	Connector - 6 Position	
501C	4460227	5	Pin, Male	
501D	4460320	AR	Connector, Female - 2 Position	
501D	4460227	AR	Pin, Male	
501E	4460265	1	Connector - 9 Position	
501E	4460227	3	Pin, Male	
501F	4460434	1	Connector - 15 Position	

SECTION 7 - ELECTRICAL

ITEM	PART NUMBER	QTY	DESCRIPTION	REV
501F	4460226	13	Socket, Female	
501G	4460418	8	Connector, Toggle Switch (Not Shown)	
501G	4460419	23	Terminal (Not Shown)	
501H	4460945	1	Connector, 3 Way (With SkyGuard) (Not Shown - Can Tee)	
501H	4460939	1	Plug, Male - 3 Position (With SkyGuard) (Not Shown - AG at Can Tee)	
501H	4460944	2	Socket, Female (With SkyGuard) (Not Shown - AG at Can Tee)	
501H	1001116812	2	Plug, Male - 3 Position (With SkyGuard) (Not Shown - AE & AF at Can Tee)	
501H	4460944	4	Socket, Female (With SkyGuard) (Not Shown - AE & AF at Can Tee)	
501J	4460868	1	Plug, Male - 6 Position (With SkyGuard) (Not Shown - MDI)	
501J	4460877	6	Socket, Female (With SkyGuard) (Not Shown - MDI)	
501K	4460884	AR	Connector - 4 Position	
501K	4460465	AR	Socket, Female	
501L	1001192401	1	Connector, Dust Cap (SN 0300214501 through 0300219271)	
501M	2400060	1	Fuse, Holder (SN 0300214501 through 0300219271)	
501N	8229242	1	Fuse, 5Amp (Not Shown) (SN 0300214501 through 0300219271)	
		Ref	DRIVE CABLES INSTALLATIONS	
	0259741	Ref	ANSI Spec (Prior to SN 0300112387)	E
	0274284	Ref	ANSI Spec (SN 0300112387 through 0300219271)	D
	0270382	Ref	UL Spec (Prior to SN 0300112387)	C
	0274285	Ref	UL Spec (SN 0300112387 through 0300219271)	C
603	1001116521	1	Drive Orientation Harness	
603A	4460320	1	Plug, Male - 2 Position	
603A	4460227	2	Pin, Male	
603B	4460424	1	Connector, Female - 2 Position	
603B	4460226	2	Socket, Female	
604	4360517		Proximity Switch Harness (Includes Switch)	
604A	4460320	1	Plug, Male - 2 Position	
604A	4460227	2	Pin, Male	
608		Ref	Electrical Cable Options: (B Motor A1 to Contactor MB2)	
608	1060782	1	ANSI Spec	
608	1060851	1	UL Spec	
609		Ref	Electrical Cable Options: (A Motor A1 to Contactor MA1)	
609	1060783	1	ANSI Spec	
609	1060852	1	UL Spec	
610		Ref	Electrical Cable Options: (A Motor A2 to Contactor MA2)	
610	1060784	1	ANSI Spec	
610	1060853	1	UL Spec	
611		Ref	Electrical Cable Options: (B Motor S1 to Contactor SB1)	
611	1060785	1	ANSI Spec	
611	1060854	1	UL Spec	
612		Ref	Electrical Cable Options: (A Motor S2 to Contactor SA1)	
612	1060786	1	ANSI Spec	
612	1060855	1	UL Spec	
613		Ref	Electrical Cable Options: (B Motor S2 to A Motor S1)	
613	1060787	1	ANSI Spec	
613	1060856	1	UL Spec	
614		Ref	Electrical Cable Options: (A Motor S2 to Contactor SA1)	

SECTION 7 - ELECTRICAL

ITEM	PART NUMBER	QTY	DESCRIPTION	REV
614	1060791	1	ANSI Spec	
614	1060857	1	UL Spec	
615		Ref	Electrical Cable Options: (Contactor A to Power Module A)	
615	1060792	1	ANSI Spec	
615	1060858	1	UL Spec	
616		Ref	Electrical Cable Options: (Contactor B+ to Power Module B+)	
616	1060793	1	ANSI Spec	
616	1060859	1	UL Spec	
617		Ref	Electrical Cable Options: (Fuse to Line Contactor B+)	
617	Not Required	0	ANSI Spec	
617	1060847	1	UL Spec	
618		Ref	Contactor Plate Assembly Options:	
618	1600294	1	ANSI Spec	
618	1600300	1	UL Spec	
618A		Ref	Contactor Harness Options:	
618A	7022003	1	ANSI Spec	
618A	7022008	1	UL Spec	
618B	4460225	1	Connector - 6 Position	
618B	4460226	6	Socket, Female	
618C	7022004	1	Posi-Track Harness (ANSI Spec Only)	
618D	4460326	1	Connector - 3 Position	
618D	4460227	3	Pin, Male	
618E	7022005	1	Shunt Harness	
618F	4460321	1	Connector - 4 Position	
618F	4460227	4	Pin, Male	
618G	7022012	1	Cable, Electrical	
		Ref	Kit, Drive System Cable	
	2901883	1	ANSI Spec (Includes Items 608-616)	
	2901942	1	UL Spec (Includes Items 608-617)	
		Ref	STANDARD HARNESS COMPONENTS	
701	See Note	NSS	Speed Sensor Harness (Note: Not Available - Purchase Complete Sensor p/n 3990107)	A
701A	4460225	2	Connector - 6 Position	
701A	4460226	8	Socket, Female	
702	4922323	1	4WD Assist Valve Harness Assembly (4WD Only)	
702A	4460449	4	Connector, DIN without Diode	
702B	4460367	1	Connector, Female - 12 Position	
702B	4460226	8	Socket, Female	
703	1060794	1	Cable, Electrical - Pump	
704	1060795	1	Cable, Electrical - Pump	
705	2901913	1	Battery Cable Kit	
705A	1060819	1	Cable, Battery (Generator Start Battery - to Ground) (Not Shown - M600 Only)	
705B	1060820	1	Cable, Battery (Battery + to Generator Starter) (Not Shown - M600 Only)	
705C	1060821	1	Cable, Battery (Generator + to Contactor Panel) (M600 Only)	
705D	1060822	1	Cable, Battery (Generator - to Power Module) (M600 Only)	
706		Ref	Generator Harness Options: (M600 Only)	
706	7020155	1	Generator Harness (Yanmar Generator) (Prior to SN 0300061331)	
706	7023486	1	Generator Harness (Yanmar Generator) (SN 0300061331 through 0300088374)	

SECTION 7 - ELECTRICAL

ITEM	PART NUMBER	QTY	DESCRIPTION	REV
706	7000328	1	Generator Harness (Kubota Generator) (SN 0300088375 through 0300219271)	
706A	4460224	1	Connector, Female - 6 Position (Prior to SN 0300061331)	
706A	4460226	5	Socket, Female (Prior to SN 0300061331)	
706B	4460761	1	Connector, Female - 4 Position (SN 0300061331 through 0300219271)	
706B	4460227	4	Pin, Male (SN 0300061331 through 0300219271)	
706C	70005169	1	Analyzer Harness (Kubota Generator) (Not Shown)	
707	1001162843	1	Battery Charger Installation Components	A
707A	0610131	1	LED Assembly (Not Supplied with Charger)	
707B	4460321	1	Connector - 4 Position	
707B	4460227	4	Pin, Male	
707C	1001126185	1	Cable, AC Cord	
707D	1001126185	1	End, Plug (Note: Not Available for Purchase)	
707E	1060813	1	LED Remote Harness	
707F	4460321	1	Connector - 4 Position	
707F	4460226	4	Socket, Female	
707G	4460761	1	Connector, Female - 4 Position	
707G	4460226	4	Socket, Female	
707H	1001113045	1	Harness, Connecting (Mac to Delta-Q)	
707J	4460444	1	Connector, Anderson	
707K	4460761	1	Connector - 4 Position	
707K	4460226	4	Socket, Female	
707L	4460931	1	Connector - 8 Position	
707L	4460464	4	Socket, Female	
707M	1001096188	1	Connector - 4 Position	
707M	4460509	2	Socket, Female	
707M	4460466	2	Plug, Seal	
707N	4460424	1	Connector - 2 Position	
707N	4460227	2	Pin, Male	
708		Ref	Battery Charger Components	
708A	See Note	NSS	Harness, Battery Charger Power (Note: Not Available - Purchase Complete Charger)	
708B	1001116811	1	Connector - 4 Position	
708C	See Note	NSS	Connector, Strain Relief (Note: Not Available for Purchase)	
708D	See Note	NSS	Harness, Battery Charger Signal (Note: Not Available for Purchase)	
708E	4460930	1	Connector - 8 Position	
708E	4460464	4	Socket, Female	
708F	See Note	NSS	Connector, Strain Relief (Note: Not Available for Purchase)	
708G	See Note	NSS	Harness, Battery Charger AC Plug (Note: Not Available for Purchase)	
708H	See Note	NSS	Connector, Plug (Note: Not Available for Purchase)	
708J	See Note	NSS	Connector, Strain Relief (Note: Not Available for Purchase)	
713		Ref	Cable Assembly - Battery Box Internal Options:	
713	1060803	1	Cable Assembly (LH Side Box) (Standard Batteries)	
713	1060803	1	Cable Assembly (RH Side Box) (Standard Batteries - All Specs except UL Spec) (Prior to SN 0300200809)	
713	1001194037	1	Cable Assembly (RH Side Box) (Standard Batteries - All Specs except UL Spec) (SN 0300200809 through 0300219271)	
713	1060803	1	Cable Assembly (RH Side Box) (Standard Batteries - UL Spec)	
713	1001172285	1	Cable Assembly (LH Side Box) (AGM Batteries) (Prior to SN 0300203801)	

SECTION 7 - ELECTRICAL

ITEM	PART NUMBER	QTY	DESCRIPTION	REV
713	1001194212	1	Cable Assembly (LH Side Box) (AGM Batteries) (SN 0300203801 through 0300219271)	
713	1001194238	1	Cable Assembly (RH Side Box) (AGM Batteries) (Prior to SN 0300200809)	
713	1060803	1	Cable Assembly (RH Side Box) (AGM Batteries) (SN 0300200809 through 0300219271)	
713A	1060799	2	Lanyard (1 Per Assembly)	
713B	1320172	2	Handle, Pull (1 Per Assembly)	
713C	4460025	2	Connector (1 Per Assembly)	
714	1060804	1	Battery Box Cable Assembly	
714A	4460025	2	Connector	
715	See Note	NSS	Harness, LED Light (Note: Not Available for Purchase)	
715A	4460424	2	Connector - 2 Position	
715A	4460226	4	Socket, Female	
716	1060341	8 ft/2.43m	Cable, Electrical - 16/2 (To Boom Limit Switch)	
717	4922222	1	Generator Enable Harness (Yellow/Red) (M600/J/JP Only)	B
717A	4460464	1	Pin, Male	
718	4922223	1	Generator Enable Harness (White/Yellow) (M600/J/JP Only)	A
718A	4460464	1	Pin, Male	
719	See Note	NSS	Controller Harness Assembly (Lift and Swing) (Note: Not Available - Refer to PLATFORM SECTION for Parts Breakdown)	
719A	4460265	1	Connector - 9 Position	
719A	4460226	8	Socket, Female	
720	See Note	NSS	Controller Harness/Circuit Board Assembly (Drive and Steer) (Note: Not Available - Refer to PLATFORM SECTION for Parts Breakdown)	
720A	4460265	1	Connector - 9 Position	
720A	4460226	7	Socket, Female	
721	See Note	NSS	Controller Harness Assembly (Speed) (Note: Not Available - Refer to PLATFORM SECTION for Parts Breakdown)	
721A	4460225	1	Connector - 6 Position	
721A	4460226	4	Socket, Female	
722	4922307	1	Harness, Jib Harness Function (J/JP Models Only)	
722A	4460367	1	Connector, Female - 12 Position	
722A	4460226	5	Socket, Female	
		Ref	OPTIONAL HARNESS COMPONENTS	
801	See Note	NSS	Strobe Light Harness (Note: Not Available - Purchase Complete Strobe Light)	
801A	4460320	1	Plug, Male - 2 Position (Amber Light) (Prior to SN 0300169430)	
801A	4460268	2	Socket, Female	
801B	4460891	1	Plug, Male - 2 Position (Amber Light) (SN 0300169430 through 0300219271)	
801B	4460465	2	Socket, Female	
801C	4460897	1	Receptacle, Female - 2 Position (Blue/Red Light)	
801C	4460464	2	Pin, Male	
802	1060827	1	Cable, Inverter +	
803	1060828	1	Cable, Inverter -	
804	4922390	1	Harness, Inverter	
804	1060494	75 in/1.9m	Cable, Electrical - 12/3	
804A	4460134	1	Connector, Female	
804B	4460138	1	Plug, Male	
805	2920095	2	Platform Worklights Harness (Includes Light and Wire Only)	
805A	4460428	1	Connector, Strain Relief	

SECTION 7 - ELECTRICAL

ITEM	PART NUMBER	QTY	DESCRIPTION	REV
806		Ref	AC to Platform Receptacle Components Options:	
806	0258303	Ref	110V Receptacle (ANSI and ANSI Export)	6
806	0258305	Ref	220V Receptacle (ANSI)	3
806	0258304	Ref	220V Receptacle (ANSI Export)	3
806A	0860038	1	Box, Switch	
806B		Ref	Receptacle Options:	
806B	4460346	1	110V GFI (ANSI)	
806B	4460125	1	220V GFI (ANSI)	
806B	See Note	NLA	220V GFI (ANSI Export) (Note: Not Available - Purchase Locally)	
806C		Ref	Shield, Cover Options:	
806C		Ref	110V GFI (ANSI)	
806C	4060700	1	Gang Side Hinged Cover (Prior to SN 0300138117)	
806C	1001110873	1	Gang Top Hinged Cover (SN 0300138117 through 0300219271)	
806C	1001110872	1	110V GFI (ANSI) (Single Top Hinged Cover)	
806C	4060092	1	220V GFI (ANSI)	
806C	See Note	NLA	220V GFI (ANSI Export) (Note: Not Available - Purchase Locally)	
806D		Ref	Connector, Strain Relief Options:	
806D	4460071	1	110V GFI (ANSI)	
806D	4460071	1	220V GFI (ANSI)	
806D	See Note	NLA	220V GFI (ANSI Export) (Note: Not Available - Purchase Locally)	
806E		Ref	Plug, Male Options:	
806E	4460205	2	110V GFI (ANSI)	
806E	4460233	2	220V GFI (ANSI)	
806E	4460709	2	220V GFI (ANSI Export)	
806F	3960422	1	Gasket	
806G		Ref	Connector, Female Options:	
806G	4460134	1	110V GFI (ANSI)	
806G	4460701	1	220V GFI (ANSI)	
806G	4460710	1	220V GFI (ANSI Export)	
807	4933145	Ref	Soft Touch Electrical Components (Front Entry Platform)	2-B
807	4933317	Ref	Soft Touch Electrical Components (Side Entry Platform)	1-A
807A		Ref	Connector, Strain Relief Options:	
807A	4460428	1	Front Entry Platform	
807A	4460425	1	Side Entry Platform	
807B	2920129	1	Bulb, Light	
807C	4120035	1	Holder, Lamp	
807D	4922324	1	Harness, Soft Touch Enable Switch to PC Board (Not Shown)	
807E	1060494	Ref	Cable, Electrical - 16/3 Options:	
807E	1060494	28 ft/8.5m	Front Entry Platform	
807E	1060494	15 ft/4.6m	Side Entry Platform	
808 to 808	Not Required	0	Not Required	
809	1001149818	1	Strobe Light Harness - Amber Light (SN 0300169430 through 0300219271)	B
809	1001149570	1	Strobe Light Harness (Blue Light)	B
809A	4460320	1	Receptacle, Female - 2 Position (Amber Light)	
809A	4460267	2	Pin, Male (Amber Light)	
809A	4460265	1	Plug, Male - 6 Position (Blue Light)	
809A	4460268	1	Terminal (Blue Light)	

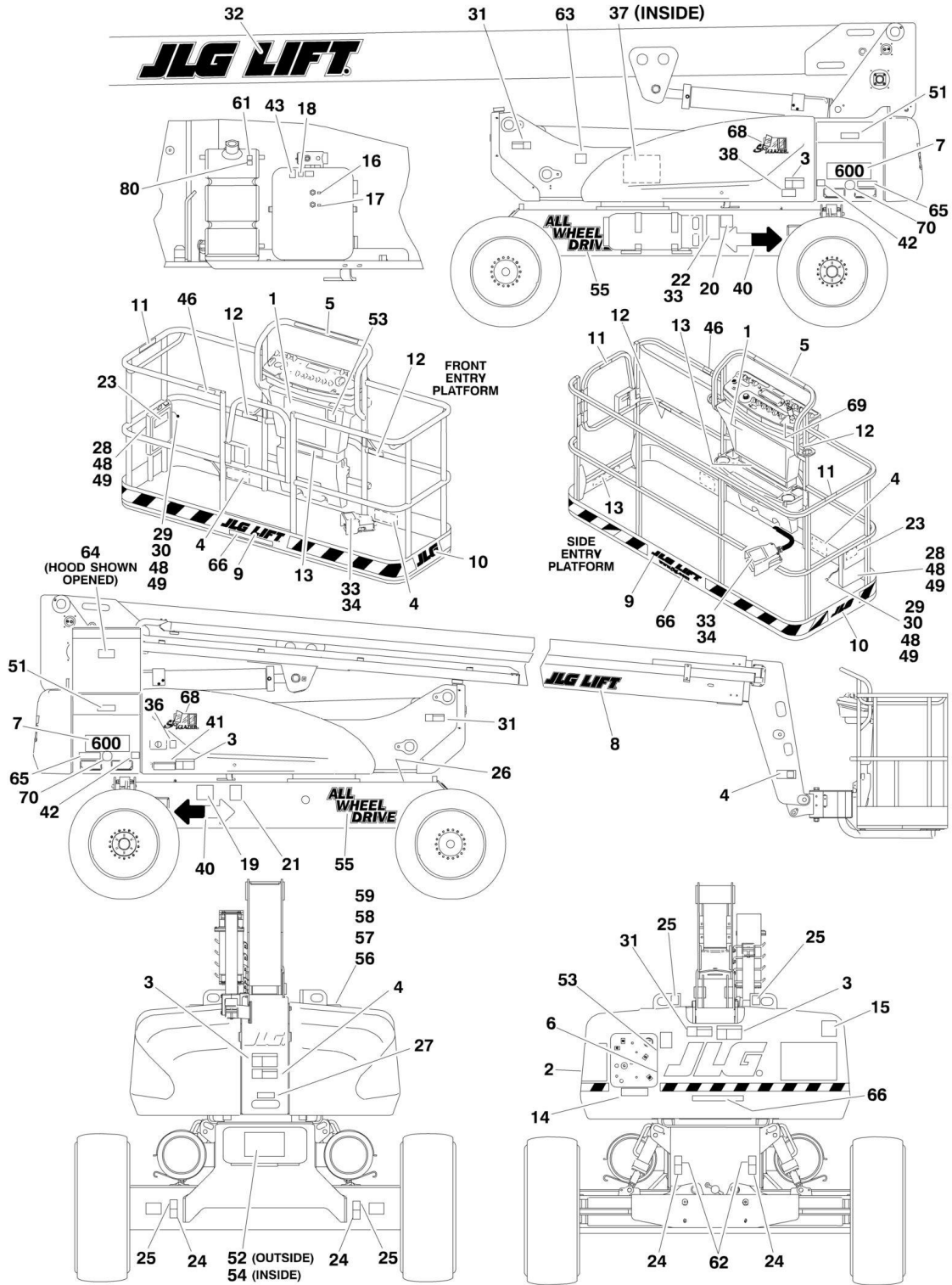
SECTION 7 - ELECTRICAL

ITEM	PART NUMBER	QTY	DESCRIPTION	REV
809B	4460897	1	Receptacle, Female - 2 Position (Amber Light)	
809B	4460464	2	Pin, Male (Amber Light)	
809B	4460891	1	Plug, Male - 2 Position (Blue Light)	
809B	4460465	2	Socket, Female (Blue Light)	
809C	4460225	1	Plug, Male - 6 Position (Blue Light) (Not Shown - To Module)	
809C	4460267	1	Socket, Female (Blue Light) (Not Shown - To Module)	
		Ref	TOOLS	
901	7002821	1	Crimper (For Wire to Pin/Socket Connections)	
902	7002823	1	Extractor (For Removal of Pin/Socket from Connectors)	
903	4460467	1	Extractor, Pin (Blue 16-18 Gauge) (For Removal of Pin/Socket from Connectors)	
903	4460510	1	Extractor, Pin (Yellow 12-14 Gauge) (For Removal of Pin/Socket from Connectors)	
904	7002828	1	Stripper, Wire	
905	2901443	1	Analyzer, Machine (Not Shown)	
906	1001137005	1	Software Cable Kit (Not Shown)	

SECTION 8 - DECALS

SECTION 8 - DECALS

FIGURE 8-1. DECALS INSTALLATION - ANSI SPEC



SECTION 8 - DECALS

FIGURE 8-1. DECALS INSTALLATION - ANSI SPEC

ITEM	PART NUMBER	QTY	DESCRIPTION	REV
		Ref	STANDARD DECAL INSTALLATION	
	0270031	Ref	Standard Decal Installations E600	2
	0270033	Ref	Standard Decal Installations E600J	2
	0270036	Ref	Standard Decal Installations E600JP	2
	0270032	Ref	Standard Decal Installations M600	4
	0270034	Ref	Standard Decal Installations M600J	4
	0270035	Ref	Standard Decal Installations M600JP	4
	0270129	Ref	ANSI Decals	D
	0259937	Ref	JLG Decals (E/M600 & E/M600J)	C
	0270869	Ref	JLG Decals (E/M600JP)	I
1	1703797	1	Decal - Danger/Warning (Platform)	
2	1704575	1	Decal - Danger/Warning (MTB)	
3	1703805	4	Decal - Electrocution	
4	1703804	3	Decal - Crushing	
5	1704661	1	Decal - Legend (Platform)	
6		Ref	Decal - Legend (Ground Control) Options:	
6	1704579	1	Decal - Legend (Ground Control) (Prior to SN 0300100373)	
6	1707035	1	Decal - Legend (Ground Control) (SN 0300100373 through 0300219271)	
7		Ref	Decal - Model Designation Options:	
7	1704490	2	Decal - Model Designation E600	
7	1704492	2	Decal - Model Designation E600J	
7	1704495	2	Decal - Model Designation E600JP	
7	1704491	2	Decal - Model Designation M600	
7	1704493	2	Decal - Model Designation M600J	
7	1704494	2	Decal - Model Designation M600JP	
8	1702860	1	Decal - JLG Lift (5in)	
9	1702774	1	Decal - JLG Lift (3-1/2in)	
10		Ref	Decal - JLG Options:	
10	1702773	2	Decal - JLG E/M600 & E/M600J (JLG)	
10	1704200	2	Decal - JLG E/M600JP (Jib Plus)	
11	1702868	2	Decal - No Hands	
12	1704277	3	Decal - Attach Lanyard	
13		Ref	Decal - 500 LBS Max Capacity (Platform) Options:	
13	1701645	2	Decal - 500 LBS Max Capacity (Platform) (Prior to SN 0300142694)	
13	1001121801	2	Decal - 500 LBS Max Capacity (Platform) (SN 0300142694 through 0300219271)	
14		Ref	Decal - 500 LBS Max Capacity (Ground) Options:	
14	1702688	1	Decal - 500 LBS Max Capacity (Ground) (Prior to SN 0300100373)	
14	1707013	1	Decal - 500 LBS Max Capacity (Ground) (SN 0300100373 through 0300142693)	
14	1001121814	1	Decal - 500 LBS Max Capacity (Ground) (SN 0300142694 through 0300219271)	
15	3251813	1	Decal - USA	
16	1701502	1	Decal - Hydraulic Oil Level High	
17	1701503	1	Decal - Hydraulic Oil Level Low	
18	1701504	1	Decal - Hydraulic Oil	
19	1702153	1	Decal - Inspection Only (Prior to SN 0300138701)	
20	See Note	NSS	Decal - Bar Code (Note: Not Available for Purchase)	

SECTION 8 - DECALS

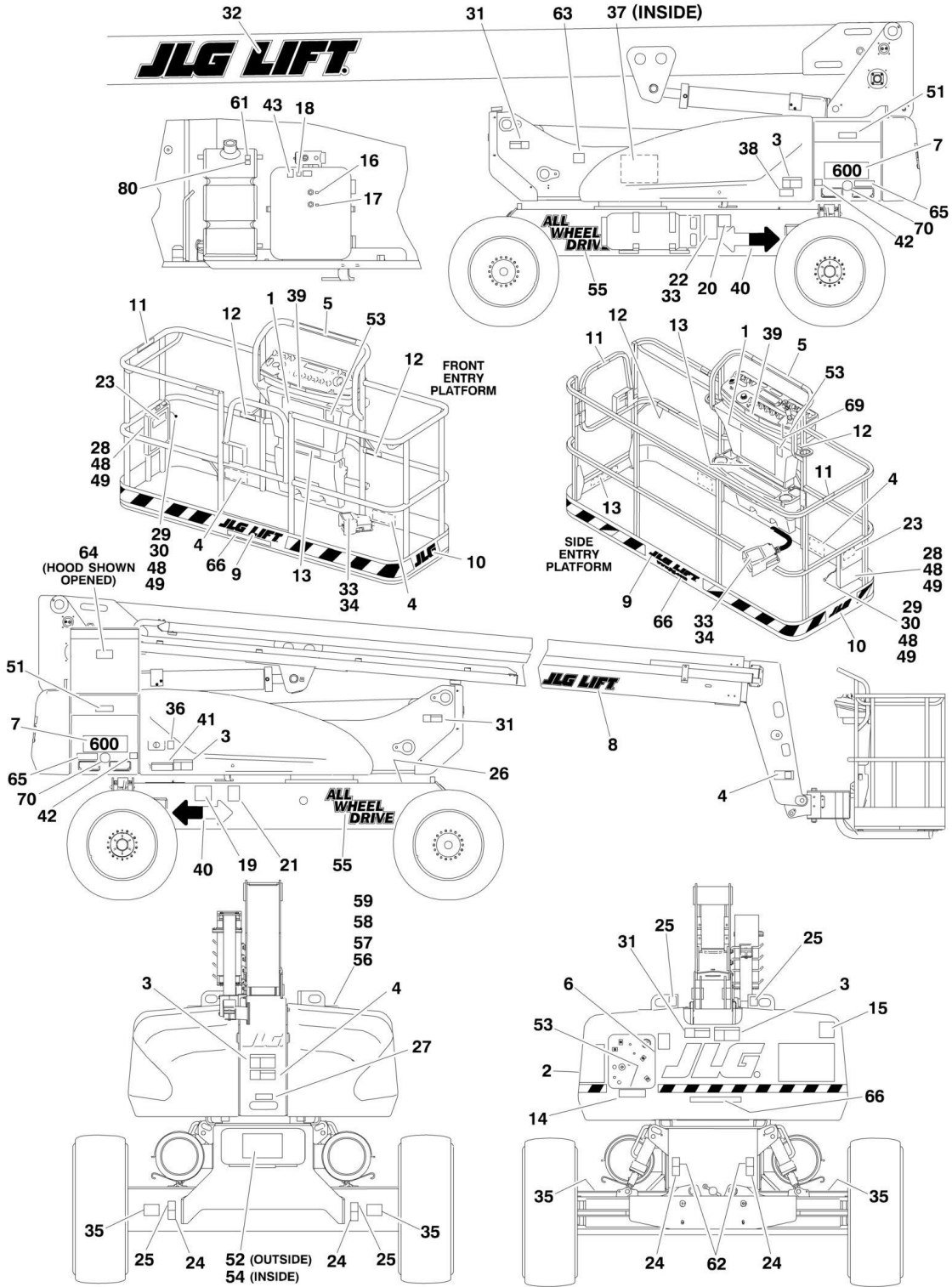
ITEM	PART NUMBER	QTY	DESCRIPTION	REV
21		Ref	Decal - Patent Options:	
21	1700584	1	Decal - Patent (Prior to SN 0300161219)	
21	1001131269	1	Decal - Patent (SN 0300161219 through 0300219271)	
22	See Note	NSS	Nameplate - Serial Number (Note: Not Available for Purchase)	
23	1701509	1	Decal - Manual	
24	1702300	4	Decal - Tie Down	
25	1701500	4	Decal - Lift	
26	1701529	2	Decal - Arrow	
27		Ref	Nameplate Options:	
27	3251243	1	120V/60Hz	
27	3252507	1	220V/50-60Hz	
28	0860520	1	Box, Manual Storage	
29	1060279	1	Lanyard Only (Prior to SN 0300143953)	
30	0641408	AR	Bolt 1/4in-20NC x 1in	
31	1703953	3	Decal - Warning/Crushing	
32	1702862	1	Decal - JLG Lift (12in)	
33	3820001	AR	Rivet	
34	3252347	1	Nameplate - Footswitch	
35	1704708	4	Decal - Max Tire Load	
36	1701644	1	Decal - Charger	
37	1704705	1	Decal - Manual Descent	
38	1702901	1	Decal - Instructions Inside	
40	1701501	2	Decal - Arrow	
41	1704248	1	Decal - Battery Charger Instructions	
42	1702155	2	Decal - Battery Disconnect	
43	1704412	1	Decal - Oil Chart	
46		Ref	Decal - Prop 65 Options:	
46	Not Required	0	Decal - Prop 65 E600, E600J & E600JP	
46	1702962	1	Decal - Prop 65 M600, M600J & M600JP	
48	3311405	AR	Locknut 1/4in-20NC	
49	4711400	AR	Flatwasher	
51	1703813	2	Decal - Warning Battery Ventilation	
52	3252673	1	Decal - Lift Diagram	
53		Ref	Decal - Generator Danger Options:	
53	Not Required	0	Decal - Generator Danger E600, E600J & E600JP	
53	1704286	1	Decal - Generator Danger M600, M600J & M600JP	
54	1704254	1	Decal - Cable Routing	
55		Ref	Decal - All Wheel Drive Options:	
55	Not Required	0	Decal - All Wheel Drive 2WD	
55	1704724	2	Decal - All Wheel Drive 4WD	
56		Ref	Cover, Exhaust Hole Options:	
56	1670954	1	Cover, Exhaust Hole E600, E600J & E600JP	
56	Not Required	0	Cover, Exhaust Hole M600, M600J & M600JP	
57	3900283	AR	Screw, Button Head	
58	4711600	AR	Flatwasher 3/8in Thin	
59	3311605	AR	Locknut 3/8in-16NC	
61		Ref	Decal - Fuel Options	
61	Not Required	0	Decal - Fuel E600, E600J & E600JP	
61	1701505	1	Decal - Fuel M600, M600J & M600JP	
62	1701499	2	Decal - No Lift	
63	1702391	2	Decal - Warning Hand Crushing	

SECTION 8 - DECALS

ITEM	PART NUMBER	QTY	DESCRIPTION	REV
64	1704725	2	Decal - Tip Over (Battery Weight)	
65	1704723	2	Decal - Patents Pending Only (Prior to SN 0300143328)	
66	1704885	AR	Decal - Website Options:	
66		Ref	Decal - Website (Prior to SN 0300176058)	
66		Ref	Decal - Website (SN 0300176058 through 0300219271)	
67	0641406	4	Bolt, 1/4in-20 x 3/4in (Not Shown)	
68	See Note	2	Sky Accessory Decal (Note: See SPECIAL OPTIONS SECTION for Breakdown)	
69	1705351	1	Decal - Drive/Steer Instructions (Machines with Drive Orientation Only)	
70	1001121510	2	Decal - Hybrid (M600/M600J/M600JP) (SN 0300143328 through 0300219271)	
80	1001108923	1	Decal - EPA/Carb Fuel Spec Only (SN 0300134976 through 0300219271)	

SECTION 8 - DECALS

FIGURE 8-2. DECALS INSTALLATION - COUNTRY SPEC



SECTION 8 - DECALS

FIGURE 8-2. DECALS INSTALLATION - COUNTRY SPEC

ITEM	PART NUMBER	QTY	DESCRIPTION	REV
		Ref	COUNTRY SPEC DECAL INSTALLATION	
	0270031	Ref	Standard Decal Installations E600	2
	0270033	Ref	Standard Decal Installations E600J	2
	0270036	Ref	Standard Decal Installations E600JP	2
	0270032	Ref	Standard Decal Installations M600	4
	0270034	Ref	Standard Decal Installations M600J	4
	0270035	Ref	Standard Decal Installations M600JP	4
	0259937	Ref	JLG Decals (E/M600 & E/M600J)	D
	0270869	Ref	JLG Decals (E/M600JP)	1
	0270152	Ref	Canadian French/English Dual Language	D
	0270154	Ref	Chinese/English Dual Language	C
	0270146	Ref	Japanese Language	C
	0270148	Ref	Korean Language	C
	0270150	Ref	Spanish/English Dual Language	C
	0270156	Ref	Spanish/Portuguese Dual Language	C
1		Ref	Decal - Danger/Warning (Platform)	
1	1703924	1	Canadian French/English Dual Language	
1	1703925	1	Chinese/English Dual Language	
1	1703926	1	Japanese Language	
1	1703927	1	Korean Language	
1	1703923	1	Spanish/English Dual Language	
1	1703928	1	Spanish/Portuguese Dual Language	
2		Ref	Decal - Danger/Warning (MTB)	
2	Not Required	0	Canadian French/English Dual Language	
2	Not Required	0	Chinese/English Dual Language	
2	1704667	1	Japanese Language	
2	1704668	1	Korean Language	
2	Not Required	0	Spanish/English Dual Language	
2	Not Required	0	Spanish/Portuguese Dual Language	
3		Ref	Decal - Electrocuttion	
3	1703936	4	Canadian French/English Dual Language	
3	1703937	4	Chinese/English Dual Language	
3	1703938	4	Japanese Language	
3	1703939	4	Korean Language	
3	1703935	4	Spanish/English Dual Language	
3	1703940	4	Spanish/Portuguese Dual Language	
4		Ref	Decal - Crushing	
4	1703948	3	Canadian French/English Dual Language	
4	1703949	3	Chinese/English Dual Language	
4	1703950	3	Japanese Language	
4	1703951	3	Korean Language	
4	1703947	3	Spanish/English Dual Language	
4	1703952	3	Spanish/Portuguese Dual Language	
5		Ref	Decal - Legend (Platform)	
5	1704661	1	Canadian French/English Dual Language	
5	Not Required	0	Chinese/English Dual Language	
5	Not Required	0	Japanese Language	
5	Not Required	0	Korean Language	
5	1704661	1	Spanish/English Dual Language	
5	Not Required	0	Spanish/Portuguese Dual Language	

SECTION 8 - DECALS

ITEM	PART NUMBER	QTY	DESCRIPTION	REV
6		Ref	Decal - Legend (Ground Control)	
6		Ref	Canadian French/English Dual Language	
6	1704579	1	Canadian French/English Dual Language (Prior to SN 0300100373)	
6	1707035	1	Canadian French/English Dual Language (SN 0300100373 through 0300219271)	
6	Not Required	0	Chinese/English Dual Language	
6	Not Required	0	Japanese Language	
6	Not Required	0	Korean Language	
6		Ref	Spanish/English Dual Language	
6	1704579	1	Spanish/English Dual Language (Prior to SN 0300100373)	
6	1707035	1	Spanish/English Dual Language (SN 0300100373 through 0300219271)	
6	Not Required	0	Spanish/Portuguese Dual Language	
7		Ref	Decal - Model Designation Options:	
7	1704490	2	Decal - Model Designation E600	
7	1704492	2	Decal - Model Designation E600J	
7	1704495	2	Decal - Model Designation E600JP	
7	1704491	2	Decal - Model Designation M600	
7	1704493	2	Decal - Model Designation M600J	
7	1704494	2	Decal - Model Designation M600JP	
8	1702860	1	Decal - JLG Lift (5in)	
9	1702774	1	Decal - JLG Lift (3-1/2in)	
10		Ref	Decal - JLG Options:	
10	1702773	2	Decal - JLG E/M600 & E/M600J (JLG)	
10	1704200	2	Decal- JLG E/M600JP (Jib Plus)	
11		Ref	Decal - No Hands	
11	1704000	2	Canadian French/English Dual Language	
11	1001116846	2	Chinese/English Dual Language	
11	Not Required	0	Japanese Language	
11	Not Required	0	Korean Language	
11	1704001	2	Spanish/English Dual Language	
11	1704002	2	Spanish/Portuguese Dual Language	
12		Ref	Decal - Attach Lanyard Options:	
12		Ref	Canadian French/English Dual Language	
12	1704003	3	Canadian French/English Dual Language (Prior to SN 0300061063)	
12	1704277	3	Canadian French/English Dual Language (SN 0300061063 through 0300219271)	
12	1704277	1	Chinese/English Dual Language	
12	1704277	1	Japanese Language	
12	1704277	1	Korean Language	
12	1704004	3	Spanish/English Dual Language	
12	1704005	3	Spanish/Portuguese Dual Language	
13		Ref	Decal - 500 LBS. Max Capacity Options: (Platform)	
13		Ref	Canadian French:	
13	1701645	2	Canadian French (Prior to SN 0300064722)	
13	1703996	2	Canadian French (SN 0300064722 through 0300100372)	
13	1707055	2	Canadian French (SN 0300100373 through 0300142693)	
13	1001121803	2	Canadian French (SN 0300142694 through 0300219271)	
13		Ref	Chinese/English Dual Language:	
13	1701645	2	Chinese/English Dual Language (Prior to SN 0300094277)	

SECTION 8 - DECALS

ITEM	PART NUMBER	QTY	DESCRIPTION	REV
13	1703996	2	Chinese/English Dual Language (SN 0300094277 through 0300100372)	
13	1707060	2	Chinese/English Dual Language (SN 0300100373 through 0300142693)	
13	1001121810	2	Chinese/English Dual Language (SN 0300142694 through 0300219271)	
13		Ref	Japanese Language	
13	1701645	2	Japanese Language (Prior to SN 0300142694)	
13	1001121808	2	Japanese Language (SN 0300142694 through 0300219271)	
13		Ref	Korean Language:	
13	1701645	2	Korean Language (Prior to SN 0300094277)	
13	1703996	2	Korean Language (SN 0300094277 through 0300100372)	
13	1707058	2	Korean Language (SN 0300100373 through 0300142693)	
13	1001121918	2	Korean Language (SN 0300142694 through 0300219271)	
13		Ref	Spanish/English Dual Language:	
13	1701645	2	Spanish/English Dual Language (Prior to SN 0300094277)	
13	1703996	2	Spanish/English Dual Language (SN 0300094277 through 0300100372)	
13	1707056	2	Spanish/English Dual Language (SN 0300100373 through 0300142693)	
13	1001121805	2	Spanish/English Dual Language (SN 0300142694 through 0300219271)	
13		Ref	Spanish/Portuguese Dual Language:	
13	1701645	2	Spanish/Portuguese Dual Language (Prior to SN 0300094277)	
13	1703996	2	Spanish/Portuguese Dual Language (SN 0300094277 through 0300100372)	
13	1707134	2	Spanish/Portuguese Dual Language (SN 0300100373 through 0300142693)	
13	1001121920	2	Spanish/Portuguese Dual Language (SN 0300142694 through 0300219271)	
14		Ref	Decal - 500 LBS Max Capacity Options: (Ground)	
14		Ref	Canadian French:	
14	1702688	1	Canadian French (Prior to SN 0300064722)	
14	1704112	1	Canadian French (SN 0300064722 through 0300100372)	
14	1707047	1	Canadian French (SN 0300100373 through 0300143371)	
14	1001121816	1	Canadian French (SN 0300143371 through 0300219271)	
14		Ref	Chinese/English Dual Language:	
14	1702688	1	Chinese/English Dual Language (Prior to SN 0300094277)	
14	1704112	1	Chinese/English Dual Language (SN 0300094277 through 0300100372)	
14	1707044	1	Chinese/English Dual Language (SN 0300100373 through 0300142693)	
14	1001121823	1	Chinese/English Dual Language (SN 0300142694 through 0300219271)	
14		Ref	Japanese Language:	
14	1702688	1	Japanese Language (Prior to SN 0300100373)	
14	1707013	1	Japanese Language (SN 0300100373 through 0300142693)	
14	1001121821	1	Japanese Language (SN 0300142694 through 0300219271)	
14		Ref	Korean Language:	
14	1702688	1	Korean Language (Prior to SN 0300094277)	
14	1704112	1	Korean Language (SN 0300094277 through 0300100372)	
14	1707042	1	Korean Language (SN 0300100373 through 0300142693)	
14	1001121921	1	Korean Language (SN 0300142694 through 0300219271)	

SECTION 8 - DECALS

ITEM	PART NUMBER	QTY	DESCRIPTION	REV
14		Ref	Spanish/English Dual Language:	
14	1702688	1	Spanish/English Dual Language (Prior to SN 0300094277)	
14	1704112	1	Spanish/English Dual Language (SN 0300094277 through 0300100372)	
14	1707049	1	Spanish/English Dual Language (SN 0300100373 through 0300142693)	
14	1001121818	1	Spanish/English Dual Language (SN 0300142694 through 0300219271)	
14		Ref	Spanish/Portuguese Dual Language:	
14	1702688	1	Spanish/Portuguese Dual Language (Prior to SN 0300094277)	
14	1704112	1	Spanish/Portuguese Dual Language (SN 0300094277 through 0300100372)	
14	1707133	1	Spanish/Portuguese Dual Language (SN 0300100373 through 0300142693)	
14	1001121923	1	Spanish/Portuguese Dual Language (SN 0300142694 through 0300219271)	
15		Ref	Decal - USA Options:	
15	3251813	1	Canadian French/English Dual Language	
15	Not Required	0	Chinese/English Dual Language	
15	Not Required	0	Japanese Language	
15	Not Required	0	Korean Language	
15	3251813	1	Spanish/English Dual Language	
15	3251813	1	Spanish/Portuguese Dual Language	
16	1701502	1	Decal - Hydraulic Oil Level High	
17	1701503	1	Decal - Hydraulic Oil Level Low	
18	1701504	1	Decal - Hydraulic Oil	
19		Ref	Decal - Inspection Options:	
19	1704006	1	Canadian French/English Dual Language (Prior to SN 0300161249)	
19	Not Required	0	Chinese/English Dual Language	
19	Not Required	0	Japanese Language	
19	Not Required	0	Korean Language	
19	1704007	1	Spanish/English Dual Language (Prior to SN 0300161249)	
19	1704008	1	Spanish/Portuguese Dual Language	
20	See Note	NSS	Decal - Bar Code (Note: Not Available for Purchase)	
21		Ref	Decal - Patent Options:	
21	1700584	1	All Languages except Spanish/English Dual Language (Prior to SN 0300161219)	
21	1001131269	1	Canadian French/English Dual Language (SN 0300161219 through 0300219271)	
21	1700584	1	Spanish/English Dual Language	
22	See Note	NSS	Nameplate - Serial Number (Note: Not Available for Purchase)	
23	1701509	1	Decal - Manual	
24	1702300	4	Decal - Tie Down	
25	1701500	4	Decal - Lift	
26	1701529	2	Decal - Arrow	
27		Ref	Nameplate Options:	
27	3251243	1	120V/60Hz	
27	3252507	1	220V/50-60Hz	
28	0860520	1	Box, Manual Storage	
29	1060279	1	Lanyard (Prior to SN 0300208739)	
30	0641408	AR	Bolt 1/4in-20NC x 1in	
31		Ref	Decal - Warning/Crushing Options:	

SECTION 8 - DECALS

ITEM	PART NUMBER	QTY	DESCRIPTION	REV
31	1703942	3	Canadian French/English Dual Language	
31	1703943	3	Chinese/English Dual Language	
31	1703944	3	Japanese Language	
31	1703945	3	Korean Language	
31	1703941	3	Spanish/English Dual Language	
31	1703946	3	Spanish/Portuguese Dual Language	
32	1702862	1	Decal - JLG Lift (12in)	
33	3820001	AR	Rivet	
34		Ref	Nameplate - Footswitch Options:	
34	1703984	1	Canadian French/English Dual Language	
34	1703982	1	Chinese/English Dual Language	
34	1703980	1	Japanese Language	
34	1703981	1	Korean Language	
34	1703983	1	Spanish/English Dual Language	
34	1703946	1	Spanish/Portuguese Dual Language	
35		Ref	Decal - Maximum Tire Load Options:	
35	Not Required	0	Canadian French/English Dual Language	
35	1704708	4	Chinese/English Dual Language	
35	1704708	4	Japanese Language	
35	1704708	4	Korean Language	
35	1704708	4	Spanish/English Dual Language	
35	1704708	4	Spanish/Portuguese Dual Language	
36	1701644	1	Decal - Charger	
37	1704705	1	Decal - Manual Descent	
38		Ref	Decal - Instructions Inside Options:	
38	1704116	1	Canadian French/English Dual Language	
38	1704121	1	Chinese/English Dual Language	
38	1704119	1	Japanese Language	
38	1704120	1	Korean Language	
38	1704117	1	Spanish/English Dual Language	
38	1704118	1	Spanish/Portuguese Dual Language	
39		Ref	Decal - CSA	
39	3252221	1	Canadian French/English Dual Language	
39	Not Required	0	Chinese/English Dual Language	
39	Not Required	0	Japanese Language	
39	Not Required	0	Korean Language	
39	Not Required	0	Spanish/English Dual Language	
39	Not Required	0	Spanish/Portuguese Dual Language	
40	1701501	2	Decal - Arrow	
41		Ref	Decal - Battery Charger Instructions Options:	
41	1704329	1	Canadian French/English Dual Language	
41	1704333	1	Chinese/English Dual Language	
41	1704331	1	Japanese Language	
41	1704332	1	Korean Language	
41	1704328	1	Spanish/English Dual Language	
41	1704330	1	Spanish/Portuguese Dual Language	
42	1702155	2	Decal - Battery Disconnect	
43	1704412	1	Decal - Oil Chart	
48	3311405	AR	Locknut 1/4in-20NC	
49	4711400	AR	Flatwasher	
51		Ref	Decal - Warning Battery Ventilation Options:	

SECTION 8 - DECALS

ITEM	PART NUMBER	QTY	DESCRIPTION	REV
51	1704340	2	Canadian French/English Dual Language	
51	1704344	2	Chinese/English Dual Language	
51	1704342	2	Japanese Language	
51	1704343	2	Korean Language	
51	1704339	2	Spanish/English Dual Language	
51	1704341	2	Spanish/Portuguese Dual Language	
52		Ref	Decal - Lift Diagram Options:	
52	3252743	1	Canadian French/English Dual Language	
52	3252741	1	Chinese/English Dual Language	
52	3252738	1	Japanese Language	
52	3252739	1	Korean Language	
52	3252740	1	Spanish/English Dual Language	
52	3252742	1	Spanish/Portuguese Dual Language	
53		Ref	Decal - Generator Danger Options:	
53	Not Required	0	Decal - Generator Danger E600, E600J & E600JP	
53		Ref	Decal - Generator Danger M600, M600J & M600JP	
53	1704368	1	Canadian French/English Dual Language	
53	1704372	1	Chinese/English Dual Language	
53		Ref	Japanese Language	
53	1001093687	1	Japanese Language (Prior to SN 0300140028)	
53	1001116297	1	Japanese Language (SN 0300140028 through 0300141125)	
53	1704369	1	Japanese Language (SN 0300141126 through 0300219271)	
53	1704370	1	Korean Language	
53	1704371	1	Spanish/English Dual Language	
53	1704373	1	Spanish/Portuguese Dual Language	
54	1704254	1	Decal - Cable Routing	
55		Ref	Decal - All Wheel Drive Options:	
55	Not Required	0	Decal - All Wheel Drive 2WD	
55	1704724	2	Decal - All Wheel Drive 4WD	
56		Ref	Cover, Exhaust Hole Options:	
56	1670954	1	Cover, Exhaust Hole E600, E600J & E600JP	
56	Not Required	0	Cover, Exhaust Hole M600, M600J & M600JP	
57	3900283	AR	Screw, Button Head	
58	4711600	AR	Flatwasher 3/8in Thin	
59	3311605	AR	Locknut 3/8in-16NC	
61		Ref	Decal - Fuel Options	
61	Not Required	0	Decal - Fuel E600, E600J & E600JP	
61	1701505	1	Decal - Fuel M600, M600J & M600JP	
62	1701499	2	Decal - No Lift	
63	1701517	2	Decal - Warning Hand Crushing	
64		Ref	Decal - Tip Over (Battery Weight) Options:	
64	1704733	2	Canadian French/English Dual Language	
64	1704731	2	Chinese/English Dual Language	
64	1704671	2	Japanese Language	
64	1704670	2	Korean Language	
64	1704732	2	Spanish/English Dual Language	
64	1704618	2	Spanish/Portuguese Dual Language	
65	1704723	2	Decal - Patents Pending Only (Prior to SN 0300143328)	
66	1704885	Ref	Decal - Website Options:	
66	1704885	2	Decal - Website (Prior to SN 0300176058)	

SECTION 8 - DECALS

ITEM	PART NUMBER	QTY	DESCRIPTION	REV
66	1704885	1	Decal - Website (SN 0300176058 through 0300219271)	
67	0641406	4	Bolt, 1/4in-20 x 3/4in	
69		Ref	Decal - Drive/Steer Instructions Options (Machines with Drive Orientation Only):	
69	1705351	1	Canadian French/English Dual Language	
69	1705350	1	Chinese/English Dual Language	
69	1705426	1	Japanese Language	
69	1705427	1	Korean Language	
69	1705910	1	Spanish/English Dual Language	
69	1001113680	1	Spanish/Portuguese Dual Language	
70	1001121510	2	Decal - Hybrid (M600/M600J/M600JP Only) (SN 0300143328 through 0300219271)	
80	1001108923	1	Decal - EPA/Carb Fuel Spec Only (SN 0300134976 through 0300219271)	

SECTION 9 - RECOMMENDED SERVICE PARTS STOCK

SECTION 9 - RECOMMENDED SERVICE PARTS STOCK

SECTION 9 - RECOMMENDED SERVICE PARTS STOCK

FIGURE 9-1. MODELS E600/J/JP & M600/J/JP STANDARD PARTS

ITEM	PART NUMBER	QTY	DESCRIPTION	REV
	Note	Ref	Note: The following list will service one machine (built to current production per date on the front cover) with emergency repair parts which can be installed in the field. Parts from the list should be replaced when inventory is depleted to keep service parts stock supplied. For further information, contact your JLG dealer or the JLG Industries Parts Department.	
		Ref	STANDARD PARTS	
	7024013	1	Coil	
	7012944	1	Coil	
	7018991	1	Coil	
	7023224	12	Element, Hydraulic Filter	
	7023269	1	Element, Hydraulic Breather	
	7018570	2	Fuse, DC-80Amp (ANSI Spec)	
	7020691	2	Fuse, DC-80V 50Amp (Japanese Spec)	
	4360328	1	Switch, Toggle	
	4360475	1	Switch, Mushroom	
	4360469	1	Switch, Key	
	2860030	1	Key, Replacement (Set of 2)	
	4360330	1	Switch, Toggle	
	4360070	1	Breaker, Circuit	
	2940074	1	Latch	
	4360462	1	Switch, Potentiometer	
	4360387	1	Switch, Push Button	
	4360448	1	Breaker, Circuit	
	1001178139	1	Controller (Lift and Swing)	
	1001178132	1	Controller (Drive and Steer)	

SECTION 9 - RECOMMENDED SERVICE PARTS STOCK

FIGURE 9-2. MODELS E600/J/JP & M600/J/JP VARIABLE PARTS

ITEM	PART NUMBER	QTY	DESCRIPTION	REV
	Note	Ref	Note: The following list will service one machine (built to current production per date on the front cover) with emergency repair parts which can be installed in the field. Parts from the list should be replaced when inventory is depleted to keep service parts stock supplied. For further information, contact your JLG dealer or the JLG Industries Parts Department.	
		Ref	VARIABLE PARTS	
	70002947	1	Coil (4WD only)	
	70000319	1 doz	Filter, Oil (M600/J/JP Only)	
	70000321	1	Solenoid, Throttle (M600/J/JP Only)	
	70000322	1	Relay, Bosch (M600/J/JP Only)	
	70000323	1	Relay, Bosch (M600/J/JP Only)	
	70000317	1	Filter, Fuel (M600/J/JP Only)	
	70000318	12	Element, Fuel Filter (M600/J/JP Only)	
	70000289	1	Regulator, Voltage (M600/J/JP Only)	
	70000313	12	Element, Air Cleaner (M600/J/JP Only)	
	70000326	1	Module, Control (M600/J/JP Only)	
	70000329	1	Fuse, 10Amp (M600/J/JP Only)	
	70000330	1	Fuse, 20Amp (M600/J/JP Only)	
	7020642	1	Breaker, Circuit (ANSI and Japanese Spec)	
	7020653	1	Breaker, Circuit (ANSI Export Spec)	
	7018506	1	Relay (ANSI and Japanese Spec)	
	7020654	1	Relay (110-230V/50-60Hz ANSI Export Spec)	
	7018564	1	Relay (110-230V/50-60Hz ANSI Export Spec)	
	7018535	1	Relay (250V/50Hz ANSI Export Spec)	
	4360274	1	Switch, Push Button (M600/J/JP Only)	
	1001109497	1	Module, Ground Control	
	4360578	1	Switch, Limit	
	7012944	1	Coil (M600J/JP Only)	
	4360336	1	Switch, Toggle (M600J/JP Only)	
	1001109498	1	Module, Platform	
	4360387	1	Switch, Push Button (Soft Touch)	

SECTION 10 - SPECIAL OPTIONS

SECTION 10 - SPECIAL OPTIONS

FIGURE 10-1. SPECIAL OPTIONS LIST

ITEM	PART NUMBER	QTY	DESCRIPTION	REV
		Ref	MISCELLANEOUS SPECIAL OPTIONS:	
		Ref	Airline Installations - 1/2in	
	0270315	Ref	Airline Installations E600 & M600	
	0270437	Ref	Airline Installations E600J & M600J	
	0270447	Ref	Airline Installations E600JP & M600JP	
	1001125782	Ref	Battery Charger Replacement Kit (Replace MAC Charger with Delta-Q Charger)	
	1001148971	Ref	Bolt-on Lanyard Kit (Platform)	
		Ref	Boom Hose Kit Options:	
	1001198663	Ref	Boom Hose Kit - E/M600	
	1001198662	Ref	Boom Hose Kit - E/M600J	
	1001198661	Ref	Boom Hose Kit - E/M600JP	
		Ref	Boom Wipers Installations	
	0270364	Ref	Boom Wipers Installations E600 & M600	
	0270413	Ref	Boom Wipers Installations E600J/JP & M600J/JP	
	0256789	Ref	Camera Mounting Installation	
	0270374	Ref	Cold Weather Package Installation (M600/J/JP Only)	
	1060626	1	Cord, Electrical - 3 Way	
	2580050	1	Heater, Immersion (Hydraulic Oil) (Prior to SN 0300208323)	
	1001188972	1	Heater, Immersion (Hydraulic Oil) (SN 0300208323 through 0300219271)	
	2580024	1	Heater, Battery	
	2580030	1	Heater, Pad	
	1702944	1	Decal - Heater Cord	
	1702941	1	Decal - Battery Heater	
	1702943	1	Decal - Hydraulic Tank Heater	
	1702942	1	Decal - Engine Block Heater	
	0258703	Ref	Console Cover	
	0273172	Ref	Container Shipment Preparation (Wheel Installation)	
		Ref	Cylinder Bellows Installations	
	0270014	Ref	Fixed Axle (Prior to SN 0300201804)	
	1001188090	Ref	Fixed Axle (SN 0300201804 through 0300219271)	
	0259995	Ref	Oscillating Axle (Prior to SN 0300201804)	
	1001188320	Ref	Oscillating Axle (SN 0300201804 through 0300219271)	
	0270340	Ref	Cylinder Bellows Installations E600 & M600	
	0270314	Ref	Cylinder Bellows Installations E600J/JP & M600J/JP	
		Ref	Decal Installations Options:	
	1702788	Ref	Decal - Biodegradable Hydraulic Fluid (All except German Spec)	
	1703479	Ref	Decal - Biodegradable Hydraulic Fluid (German Spec Only)	
	1704174	Ref	Decal - Biodegradable (Synthetic) Hydraulic Fluid (All Specs except German Spec)	
	1704175	Ref	Decal - Biodegradable (Synthetic) Hydraulic Fluid (German Spec Only)	
	1001196701	Ref	Decal - Blueline Rentals	
	0274541	Ref	Decal - Head and Enquist Equipment L.L.C (H & E) Installation	
	1001143072	Ref	Decal - Hewitt Rentals Installation (English Spec)	
	1001143507	Ref	Decal - Hewitt Rentals Installation (French Spec)	
	1702868	Ref	Decal - No Hands (English) (Used with Platform Padding or Mesh to Top Rail on Side Entry Platforms)	

SECTION 10 - SPECIAL OPTIONS

ITEM	PART NUMBER	QTY	DESCRIPTION	REV
	1001116846	Ref	Decal - No Hands (English and Chinese) (Used with Platform Padding or Mesh to Top Rail on Side Entry Platforms)	
	1704000	Ref	Decal - No Hands (English and French) (CSA Spec) (Used with Platform Padding or Mesh to Top Rail on Side Entry Platforms)	
	1703175	Ref	Decal - Lanyard Attach (GM K-1 Spec)	
	0273371	Ref	Decal - Nations Rents Installation	
	1001103341	Ref	Decal - National Equipment Services (NES) Installation	
	0270687	Ref	Decal - Sunbelt (Prior to SN 0300205726)	
	1001197878	Ref	Decal - Sunbelt (SN 0300205726 through 0300219271)	
	1001151115	Ref	Decal - Titan Rentals	
	0271894	Ref	Decal - United Rentals	
	0270430	Ref	Decal - U/L Tags (E600/E600J/E600JP Only)	
	1001141475	Ref	Decal - Volvo Rents Installation	
	4420051	Ref	Decal - Warning Stripes	
		Ref	Decal Kit Options:	
	2910866	Ref	Decal - Kit - Platform (Prior to SN 0300139882)	
	1001119566	Ref	Decal - Kit - Platform (SN 0300139882 through 0300219271)	
		Ref	Electrical Connector Kits	
	1001148902	Ref	Amp Connector Kit	
	1001148903	Ref	Deutsch DT Connector Kit	
	1001148904	Ref	Deutsch HD Connector Kit	
	1001148905	Ref	Packard Connector Kit	
	1001148906	Ref	Various Connector Kit	
		Ref	Filter Kits:	
		Ref	Combined Filter Kit (Hydraulic/Air and Fuel/Engine Oil)	
	1001111002	1	Yanmar Engine (Prior to SN 0300088375)	
	1001111003	1	Kubota Engine (SN 0300088375 through 0300219271)	
		Ref	Hydraulic/Air Filter	
	1001109699	1	Yanmar Engine (Prior to SN 0300088375)	
	1001109701	1	Kubota Engine (SN 0300088375 through 0300219271)	
	1001110141	Ref	Yanmar/Kubota Engine - Fuel/Engine Oil Filter	
	0272111	Ref	"EE" Tight Fitting Enclosures (E600J/JP Models Only)	
	4060959	Ref	Footswitch Shield (Note: Move Decal to Shield)	
	0272076	Ref	Headlight and Taillight Installation (Prior to SN 0300196439)	
	1001175432	Ref	Headlight and Taillight Installation (SN 0300196439 through 0300219271)	
		Ref	Hydraulic Fluids Options:	
	2300016	Ref	Mobil DTE 10 Excel 32	
		Ref	Mobil DTE 10 Excel 15 Options:	
	2300028	Ref	Bulk	
	70010346	Ref	One Gallon Container	
	2300029	Ref	Mobil EAL ISO 46 Bio	
	1001189164	Ref	Low Temperature Cutout Installation	
		Ref	Platform Console Cover Options:	
	0258703	Ref	Platform Console Cover (Prior to SN 0300200810)	
	See Note	Ref	Platform Console Cover (Note: Not Available) (SN 0300200810 through 0300202589)	
	1001195304	Ref	Platform Console Cover (SN 0300202590 through 0300219271)	
	1001205175	Ref	Platform Console Cover Add-on Kit	
	1001193754	Ref	Platform Console/Ground Panel Illumination Light Installation	
	2915227	Ref	Platform Conversion Kit (Changes Front Entry to Side Entry)	
		Ref	Platform Decal Panel Options: (ANSI Export Spec M600/J/JP)	

SECTION 10 - SPECIAL OPTIONS

ITEM	PART NUMBER	QTY	DESCRIPTION	REV
			Only)	
	0270822	Ref	Machines with Aluminum Console Box	
	0270823	Ref	Machines with PVC Console Box	
		Ref	Platform Entry Kit	
	1001142504	Ref	Kit, Replace Swing Gate with Drop Bar	
	1001142505	Ref	Kit, Replace Drop Bar with Swing Gate	
	1001144020	Ref	Kit, Side Entry, Drop Bar - 30in x 6ft (76cm x 1.83m)	
	1001144018	Ref	Kit, Side Entry, Drop Bar - 30in x 4ft (76cm x 1.22m)	
		Ref	Platform Mesh Installations (Side Entry Platforms)	
	0273148	Ref	30in x 6ft (76cm x 1.83m) (To Top-Rail)	
	0273147	Ref	30in x 4ft (76cm x 1.22m) (To Top-Rail)	
	1001145985	Ref	30in x 6ft (76cm x 1.83m) (To Mid-Rail)	
	1001140318	Ref	30in x 4ft (76cm x 1.22m) (To Mid-Rail)	
		Ref	Platform Rail Extension Installations (Side Entry Platforms)	
	0274691	Ref	30in x 6ft (76cm x 1.83m)	
	1001103617	Ref	30in x 4ft (76cm x 1.22m)	
		Ref	SkyGuard Component Options:	
	1001143669	Ref	SkyGuard Complete Add-on Kit	
	1001201620	Ref	SkyGuard Complete Add-on Kit	
	1001137672	Ref	SkyGuard Platform Sensor Kit	
	1001143256	Ref	SkyGuard Blue Beacon Kit	
	1001176372	Ref	SkyGuard Kit, Plug, Removal	
	1001149561	Ref	SkyGuard Kit (With Beacon)	
	1001149563	Ref	SkyGuard Kit (Without Beacon)	
		Ref	Strobe Light Installations (Amber)	
	1001152965	Ref	Platform Mounted	
	1001154231	Ref	Platform/Ground Mounted	
	1001199878	Ref	Telematics Installation (Factory Installed)	
	1001200314	Ref	Telematics Installation (Customer Supplied)	
	1001209282	Ref	Telematics - Loxam	
	1001195610	Ref	Telematics - United Rentals (Prior to SN 0300218567)	
	1001213869	Ref	Telematics - United Rentals (SN 0300218567 through 0300219271)	
		Ref	Tools for Service	
	7002828	1	Wire Stripper	
	7002821	1	Wire Crimper (To Install Wire Ends to Wires)	
	7002823	1	Pin/Socket Extractor - Universal (To Remove Pins/Sockets from Connectors)	
	4460467	1	Extractor - 16-18 Gauge (For Removal of Pins/Sockets for Deutsch Connectors)	
	4460510	1	Extractor - 12-14 Gauge (For Removal of Pins/Sockets for Deutsch Connectors)	
	7002840	1	Anti Pin Removal Tool - (Required to Disassemble Valve 4641143 to Install Seal Kit)	
	7002822	1	Screwdriver, Potentiometer (To Adjust Drive Controllers)	
	7016654	1	Screwdriver, Magnetic	
	7004275	1	Seal Installation Tool - 1in	
	7004276	1	Seal Installation Tool - 1-1/2in	
	7002826	1	Seal Installation Tool - 2in	
	2901443	1	Analyzer, Machine	
	1001137005	1	Software Cable Kit	
	1001200913	Ref	Trickle Charger Installation	

SECTION 10 - SPECIAL OPTIONS

ITEM	PART NUMBER	QTY	DESCRIPTION	REV
	0257728	Ref	Tube Rack Installation	
		Ref	Weld Leads Installations	
	0270363	Ref	Weld Leads Installations E600 & M600	
	0270436	Ref	Weld Leads Installations E600J & M600J	
	0270448	Ref	Weld Leads Installations E600JP & M600JP	

PART NUMBER INDEX

SECTION 10 - SPECIAL OPTIONS

0060049.....	109, 125	0259944.....	69	0270629.....	42	0561380.....	109, 113, 117
0060050.....	113, 125	0259952....	133, 233, 245	0270631.....	42	0610128.....	148
0060056.....	117, 125	0259953....	133, 233, 245	0270687.....	275	0610131.....	77, 78, 250
0060057.....	117, 125	0259954....	133, 233, 245	0270752.....	51	0610139.....	97
0060096.....	113, 125	0259958.....	61, 70, 106	0270822.....	276	0610166.....	97
0080233.....	19	0259961.....	97, 106	0270823.....	276	0630462.....	171, 173
0100009.....	149, 153	0259995.....	274	0270866.....	61	0630464.....	148, 153
0100010.....	137	0270004.....	15	0270867.....	61, 70	0630467.....	129
0100011....	11, 12, 15, 16, 35, 36, 41, 45, 51, 52, 61, 65, 69, 70, 77, 78, 85, 89, 93, 97, 101, 105, 106, 109, 113, 117, 121, 122, 129, 133, 137, 141, 171, 173, 177, 190, 193, 199, 203, 209, 213, 215	0270014.....	274	0270869.....	257, 261	0630473.....	85
0100019....	11, 12, 16, 19, 41, 51, 110, 114, 118	0270015.....	129	0271301... ..	138, 143, 150, 154	0630491.....	101
0100020.....	61, 65, 224	0270018.....	149, 154	0271642.....	61	0630534.....	193, 199
0100035....	102, 149, 153	0270019.....	149, 154	0271643.....	61	0630535.....	213, 215
0100038....	190, 193, 199, 203, 209, 213, 215	0270031.....	257, 261	0271894.....	275	0630536.....	203, 205
0100040.....	137	0270032.....	257, 261	0272070.....	129	0630539....	110, 114, 117
0100048.....	85, 89	0270033.....	257, 261	0272076.....	275	0630568.....	154
0100051.....	85, 89	0270034.....	257, 261	0272111.....	275	0641404.....	35, 99, 149
0100071.....	179	0270035.....	257, 261	0272154.....	142	0641405.....	77, 78, 153
0100081....	106, 123, 181, 183, 185	0270036.....	257, 261	0272155.....	142	0641406..66, 70, 78, 101, 102, 114, 117, 137, 142, 259, 267	
0140011.....	148, 153	0270040.....	77	0272418	181, 183, 185	0641407.....	105
0140028.....	45	0270041.....	77	0272529.....	101	0641408.....	66, 137, 142, 258, 264
0140031.....	101	0270042.....	77	0272690.....	20	0641410.....	142
0140033.....	101	0270043.....	77	0272691.....	20	0641414 11, 15, 138, 143, 171, 173, 177, 179	
0200048.....	171, 173	0270054.....	20	0272692.....	20	0641418.....	141
0239585.....	51	0270055.....	20	0272693.....	19	0641504.....	35, 41
0256789.....	274	0270056.....	20	0272694.....	19	0641505.....	36
0257728.....	277	0270057.....	19	0272695.....	19	0641506.35, 89, 105, 175	
0258303.....	239, 252	0270060.....	19	0272971 ...	137, 142, 233, 245	0641507.....	45, 69
0258304.....	239, 252	0270061.....	19	0273089.....	147	0641508.....	66, 105
0258305.....	239, 252	0270072.....	101, 106	0273096.....	94	0641510.....	85, 89
0258703.....	274, 275	0270081.....	101	0273097.....	93	0641511.....	69
0259338....	138, 143, 150, 154	0270082.....	101	0273098.....	93	0641514.....	106
0259548.....	109	0270096.....	45, 129	0273099.....	93	0641516.....	175
0259549.....	113	0270097.....	45, 129	0273147.....	276	0641518.....	114, 117
0259666.....	94	0270098.....	45, 129	0273148.....	276	0641522.....	85
0259668.....	93	0270114.....	101	0273172.....	274	0641604.....	35, 109
0259669.....	93	0270118.....	61	0273371.....	275	0641606....	12, 16, 41, 45, 52, 66, 69, 70, 105, 106, 109, 113, 117, 121, 122, 129, 213, 215
0259670.....	94	0270129.....	257	0273381.....	175	0641607..	12, 16, 41, 105, 117, 121
0259671.....	149, 154	0270146.....	261	0274284 19, 35, 235, 248			
0259672.....	93	0270148.....	261	0274285 19, 35, 236, 248			
0259741.19, 35, 235, 248							
0259742.....	85	0270150.....	261	0274323.....	173	0641608....	11, 15, 36, 41, 109, 113, 117, 121, 122
0259755.....	12	0270152.....	261	0274382.....	175	0641609.....	19, 121
0259756.....	11	0270154.....	261	0274541.....	274	0641610 11, 15, 105, 142, 147	
0259827.....	11	0270156.....	261	0274691.....	276	0641611.....	122
0259830.....	105	0270203.....	102, 228	0274707.....	65, 70, 106	0641612.....	51, 105, 109, 113, 117, 133
0259836.....	36	0270279.....	117	0274927.....	173	0641614....	11, 15, 61, 65, 66, 69, 97, 99
0259837.....	122	0270314.....	274	0275928.....	181	0641616....	113, 117, 121, 175
0259838.....	122	0270315.....	274	0275945.....	181	0641618.....	66, 110, 113, 117
0259849.....	51	0270340.....	274	0340047.....	35	0641620.....	122
0259854.....	51	0270363.....	277	0340049.....	69	0641622.....	11, 15, 123
0259862.....	51	0270364.....	274	0362763.....	11, 15	0641640.....	122
0259937.....	257, 261	0270374.....	274	0362910.....	41	0641660.....	61, 65
0259941.....	15	0270382.19, 35, 236, 248					
0259942.....	16, 19, 35	0270383.....	69	0362929....	110, 114, 117	0641808.....	85
		0270405 ...	150, 154, 171	0362954.....	11, 15	0641810.....	117
		0270413.....	274	0400188.....	77, 81	0641811.....	113
		0270430.....	275	0400189.....	77, 82		
		0270436.....	277	0400190.....	77, 81		
		0270437.....	274	0400191.....	77, 81		
		0270447.....	274	0400201.....	61, 65		
		0270448.....	277	0400202.....	85, 89		
		0270516 ...	150, 154, 171	0440161.....	16		
		0270525.....	11	0440162.....	12, 41		
		0270526.....	41	0440240.....	51		
		0270527.....	41	0561185.....	121		
		0270528.....	41	0561371 ...	11, 12, 15, 16		
		0270626.....	85				

SECTION 10 - SPECIAL OPTIONS

0641812 11, 15, 117, 129, 175	0902575 148	1001110873.....239, 252	1001141300 154
0641820 89, 129	0902588 149	1001111002.....275	1001141302 154
0641826 19	0902640 62	1001111003.....275	1001141475 275
0642010 11, 15, 41	0902659 61, 65	1001113045.....78, 250	1001142504 276
0642012 ... 109, 113, 117, 181, 183, 185	0920115 19, 23	1001113680.....267	1001142505 276
0642030 12, 16, 41	0940088 105	1001116031.....52	1001142694 102, 103
0642216 109, 113, 117	0940091 175	1001116106.....52	1001143072 274
0642612 102, 103	0940092 ... 171, 173, 175	1001116136.....52	1001143256 276
0642682 129	0940093 175	1001116297.....266	1001143431 102
0642684 125, 129	0940094 ... 171, 173, 175	1001116368.....233, 245	1001143507 274
0681608 129	0940167 173	1001116521.....236, 248	1001143669 276
0681610 129	0940169 175	1001116528.....235, 247	1001144018 141, 276
0681812 19	0940177 173	1001116811 250	1001144020 141, 276
0681814 145	0940199 ... 181, 183, 185	1001116812.....248	1001144025 141
0681822 145	0961845 141	1001116846.....262, 275	1001144027 141
0682011 19	0961890 190	1001117172.....137, 142	1001144433 154
0682012 19	0961893 193, 199	1001117320.....142	1001144596 145
0682026 51	0961898 203	1001118418.....148, 165, 167	1001144597 145
0682216 51	0961902 213, 215	1001118419.....147, 159	1001144629 141
0700812 69	0961947 ... 113, 117, 125, 193, 199, 201	1001119566.....275	1001145985 276
0720804 148, 153	0961948 16, 121	1001120328.....177	1001148902 275
0721004 41	0961950 11, 15, 203	1001121510.....259, 267	1001148903 275
0721005 35	0961951 13, 42, 110, 113, 117, 125, 193, 197, 199, 201, 207	1001121801.....257	1001148904 275
0721006 149	0962140 190	1001121803.....262	1001148905 275
0721008 101	0962185 193	1001121805.....263	1001148906 275
0731005 171, 173	0962224 203	1001121808.....263	1001148971 274
0741005 45	0962257 ... 114, 118, 125	1001121810.....263	1001149561 276
0741606 ... 101, 110, 114, 118	0962270 145	1001121816.....263	1001149563 276
0741607 41, 109, 113, 117	0962292 ... 13, 16, 41, 42, 113, 117	1001121818.....264	1001149570 102, 103, 252
0801200 109, 121	0962297 ... 109, 113, 117, 121	1001121821.....263	1001149571 154
0801201 121	0962348 41	1001121822.....263	1001149818 102, 239, 252
0801202 121	0962395 190	1001121823.....263	1001149955 101
0801207 113, 121	0962466 190	1001121918.....263	1001149994 102
0801208 121	0962474 190	1001121921.....263	1001150406 102
0801209 121	1001091429.....183	1001121923.....264	1001151115 275
0801237 121	1001091430.....185	1001125430.....78	1001151393 94
0801238 121	1001091431.....183	1001125779.....77	1001151395 13, 42
0801239 117, 121	1001091432.....185	1001125780.....77	1001151428 13, 42
0801582 121	1001091433.....183	1001125781.....77	1001151817 154
0801583 121	1001091434.....185	1001125782.....274	1001152965 276
0801599 121	1001092566.....45, 47	1001126185.....78, 250	1001154130 142
0801606 121	1001092586.....35, 39	1001131269.....258, 264	1001154131 142
0801611 121	1001093687.....266	1001132175.....148, 153	1001154132 147
0840031 85, 89	1001094670.....114, 118	1001136889.....137, 142, 153, 233, 245	1001154133 147
0840032 86, 89	1001096148.....89	1001137005.....240, 253, 276	1001154136 232, 244
0840041 36	1001096188.....250	1001137672.....276	1001154137 232, 244
0840048 85, 89	1001102534.....85, 89	1001137673.....177	1001154231 276
0840049 86, 89	1001103105.....78	1001138431.....141	1001155044 149, 154
0860038 239, 252	1001103341.....275	1001138433.....141	1001155045 148, 154
0860520 258, 264	1001103617.....276	1001138494.....142	1001156428 16
0861215 147	1001107677.....148	1001138514.....142	1001156429 16
0861316 93	1001108923.....259, 267	1001140281 ... 12, 16, 41, 211	1001156430 16
0861317 97	1001109497... 97, 99, 272	1001140282.....113, 117, 201	1001158612 101
0861318 147	1001109498.....148, 153, 272	1001140318.....276	1001159256 149, 154
0861319 147	1001109699.....275	1001140429.....142	1001159355 66
0861326 147	1001109701.....275	1001140596.....113, 117, 197	1001159357 65, 66
0861336 97, 235, 247	1001109860.....232, 244	1001141052.....147	1001159359 .. 65, 70, 106
0861375 35	1001110141.....275	1001141053.....147	1001162843 78, 250
0861450 147	1001110226.....148, 154	1001141056.....142	1001162846 85
0861451 147	1001110435.....153	1001141057 142	1001172260 89
0861533 147	1001110872.....239, 252		1001172285 .. 85, 90, 250
0861534 147			1001172876 89
0861537 147			1001173337 89
			1001173547 105
			1001173548 105

SECTION 10 - SPECIAL OPTIONS

1001174392.....	89	1001197067.....	103	1060857.....	236, 249	1683902.....	213
1001174542.....	105	1001197878.....	275	1060858.....	236, 249	1683905.....	213
1001174888.....	99	1001198661.....	274	1060859.....	236, 249	1683907.....	213
1001174891.....	69	1001198662.....	274	1060884.....	85, 89	1683910.....	203
1001175087.....	51	1001198663.....	274	1060903.....	171, 173	1683926.....	113, 117, 193
1001175088.....	51	1001199878.....	276	1060919.....	145	1683927.....	193
1001175273.....	99	1001200314.....	276	10837580.....	47, 48	1683929.....	193
1001175431.....	99	1001200910.....	102	1100120.....	11, 15	1683931.....	11, 15, 189
1001175432.....	275	1001200913.....	276	1120487.....	70	1683959.....	113, 117, 199
1001175521.....	105	1001201620.....	276	1120555.....	181, 183, 185	1683960.....	199
1001175539.....	69	1001203655.....	145	1180356.....	122	1683961.....	199
1001175544.....	89	1001205175.....	275	1180357.....	122	1684008.....	213
1001175575.....	105	1001206700.....	102	1260017.....	52	1684009.....	121, 213
1001175596.....	105	1001207317.....	103	1283102.....	226	1684010.....	121, 213
1001175597.....	154	1001208628.....	65	1283240.....	226	1684071.....	11, 15, 189
1001175625.....	147	1001209282.....	276	1320022.....	61, 65	1684072.....	189
1001175626.....	147	1001213869.....	276	1320070.....	45, 114, 117	1684129.....	11, 15, 189
1001175627.....	147	1001228014.....	109, 113, 117, 205	1320135.....	65	1684130.....	189
1001175628.....	147	1001228017.....	121, 122, 215	1320159.....	85, 89	1684138.....	189
1001175997.....	149	1060279.....	258, 264	1320172.....	238, 251	1684139.....	189
1001176372.....	276	1060330.....	143, 233, 245	1320249.....	122	1684419.....	11, 15, 189
1001176711.....	86, 89	1060341.....	101, 173, 238, 251	1320256.....	133	1700584.....	258, 264
1001178132.....	148, 154, 169, 270	1060494.....	133, 173, 233, 234, 238, 239, 245, 246, 251, 252	1320271.....	51	1701499.....	258, 266
1001178139.....	148, 154, 161, 270	1060584.....	41	1320272.....	51	1701500.....	258, 264
1001179842.....	89	1060626.....	274	1320277.....	110, 114, 117	1701501.....	258, 265
1001182138.....	179	1060677.....	233, 234, 245, 246	1320288.....	122	1701502.....	257, 264
1001185281.....	154	1060780.....	233, 245	1380136.....	45	1701503.....	257, 264
1001186333.....	145	1060781.....	233, 246	1580012.....	138, 143	1701504.....	257, 264
1001186334.....	145	1060782.....	236, 248	1580013.....	138, 143	1701505.....	61, 65, 258, 266
1001186375.....	141	1060783.....	236, 248	1600273.....	148, 165	1701509.....	181, 183, 185, 258, 264
1001186378.....	141	1060784.....	236, 248	1600274.....	147, 157	1701517.....	266
1001186385.....	141	1060785.....	236, 248	1600293.....	35	1701529.....	258, 264
1001186387.....	141	1060786.....	236, 248	1600294.....	35, 36, 236, 249	1701644.....	258, 265
1001186517.....	177	1060787.....	236, 248	1600300.....	35, 36, 236, 249	1701645.....	257, 262, 263
1001187420.....	247	1060788.....	236, 248	1600302.....	35	1701691.....	175
1001187508.....	177	1060789.....	236, 249	1670829.....	148, 153	1702153.....	257
1001188090.....	274	1060790.....	236, 249	1670836.....	121	1702155.....	258, 265
1001188320.....	274	1060791.....	236, 249	1670911.....	109, 113, 117	1702300.....	258, 264
1001188889.....	177	1060792.....	236, 249	1670912.....	109, 113, 117	1702391.....	258
1001188972.....	274	1060793.....	236, 249	1670913.....	109, 113, 117	1702565.....	148, 153
1001189074.....	154, 245	1060794.....	69, 237, 249	1670928.....	109, 113, 117	1702566.....	148, 153
1001189075.....	154, 245	1060795.....	69, 237, 249	1670930.....	105	1702688.....	257, 263, 264
1001189116.....	154	1060799.....	36, 238, 251	1670954.....	258, 266	1702698.....	20
1001189164.....	275	1060800.....	234, 246	1670960.....	109	1702773.....	145, 257, 262
1001189196.....	102	1060803.....	85, 89, 90, 238, 250, 251	1670964.....	129	1702774.....	257, 262
1001189725.....	142	1060804.....	85, 90, 238, 251	1671037.....	149	1702788.....	274
1001189726.....	142	1060812.....	77, 237	1683050.....	193	1702860.....	257, 262
1001189731.....	153	1060813.....	77, 78, 237, 250	1683051.....	199	1702862.....	258, 265
1001189732.....	153	1060814.....	77, 237	1683053.....	193	1702868.....	257, 274
1001191536.....	228, 247	1060819.....	61, 65, 237, 249	1683076.....	189	1702901.....	258
1001191596.....	105	1060820.....	61, 65, 237, 249	1683572.....	189	1702938.....	150, 154, 173
1001191597.....	105	1060821.....	61, 65, 237, 249	1683574.....	189	1702941.....	274
1001191708.....	179	1060822.....	61, 65, 237, 249	1683575.....	11, 189	1702942.....	274
1001192373.....	105	1060827.....	102, 238, 251	1683848.....	209	1702943.....	274
1001192401.....	248	1060828.....	102, 238, 251	1683850.....	209	1702944.....	274
1001193754.....	275	1060847.....	236, 249	1683851.....	12, 16, 41, 209	1702962.....	258
1001194037.....	90, 250	1060848.....	85, 89	1683865.....	109, 207	1703175.....	275
1001194212.....	90, 251	1060851.....	236, 248	1683866.....	113, 117, 207	1703450.....	42
1001194238.....	90, 251	1060852.....	236, 248	1683867.....	109, 193	1703479.....	274
1001195304.....	275	1060853.....	236, 248	1683868.....	193	1703797.....	257
1001195610.....	276	1060854.....	236, 248	1683870.....	193	1703804.....	257
1001196117.....	65	1060855.....	236, 248	1683876.....	109, 113, 117, 203	1703805.....	257
1001196512.....	65, 70, 106	1060856.....	236, 248	1683877.....	203	1703813.....	258
1001196701.....	274			1683879.....	203	1703923.....	261
1001197017.....	173			1683898.....	209	1703924.....	261
				1683900.....	213	1703925.....	261

SECTION 10 - SPECIAL OPTIONS

1703926	261	1704368	266	1707192	181	2400080	61
1703927	261	1704369	266	1810133	93	2410014	145
1703928	261	1704370	266	1870109	228	2420106	93
1703935	261	1704371	266	1870226	228	2460023	102
1703936	261	1704372	266	2000330	65, 66	2460037	102
1703937	261	1704373	266	2000333	66	2540020	85, 89
1703938	261	1704412	258, 265	2080040	137, 141	2540037	35
1703939	261	1704422	148, 153	2080051	105	2560136	148, 153
1703940	261	1704428	94	2160002	51	2580024	274
1703941	265	1704442	93	2180344	51	2580030	274
1703942	265	1704443	94	2200222	61, 65	2580050	274
1703943	265	1704457	42	2220063	51, 61, 65	2600211	147
1703944	265	1704482	42	2220238	223	2600216	137
1703945	265	1704490	257, 262	2220273	51, 61, 65	2600219	137
1703946	265	1704491	257, 262	2220315	61, 65	2600262	105
1703947	261	1704492	257, 262	2220371	219, 221, 223	2600281	141
1703948	261	1704493	257, 262	2220373	219, 223	2680468	105
1703949	261	1704494	257, 262	2220374	219	2680477	105
1703950	261	1704495	257, 262	2220414	223	2680482	106
1703951	261	1704575	257	2220415	221, 223	2720058	61, 65
1703952	261	1704576	42	2220428	223	2720271	65
1703953	258	1704577	42	2220429	223	2751095	51
1703980	265	1704578	42	2220435	223	2752444	223
1703981	265	1704579	257, 262	2220451	223	2752471	221
1703982	265	1704618	266	2220466	223	2752498	223
1703983	265	1704661	257, 261	2220497	219	2752631	221
1703984	265	1704667	261	2220500	223	2752648	219
1703996	262, 263	1704668	261	2220502	223	2752977	221
1704000	262, 275	1704670	266	2220504	223	2753002	221
1704001	262	1704671	266	2220550	223	2753010	223
1704002	262	1704705	258, 265	2220578	224	2753118	219
1704003	262	1704708	258, 265	2220582	221	2753390	224
1704004	262	1704712	35	2220596	223	2753440	223
1704005	262	1704723	259, 266	2220602	223	2753441	223
1704006	264	1704724	258, 266	2220603	223	2753442	224
1704007	264	1704725	259	2220606	223	2753443	223
1704008	264	1704731	266	2220711	221	2753444	223
1704112	263, 264	1704732	266	2220739	223	2753445	224
1704116	265	1704733	266	2220794	65	2753446	224
1704117	265	1704885	259, 266, 267	2220828	219	2753447	224
1704118	265	1705014	145	2220873	223	2753448	224
1704119	265	1705170	150, 155	2220883	193, 203, 205	2753449	224
1704120	265	1705350	267	2220885	190, 193, 199, 213, 215	2753450	224
1704121	265	1705351	259, 267	2220899	219	2753451	224
1704174	274	1705358	181, 183, 185	2220934	223	2753452	219
1704175	274	1705426	267	2220947	223	2753453	223
1704192	148	1705427	267	2220950	223	2753454	223
1704200	257, 262	1705733	94	2220950	223	2753455	223, 224
1704239	148	1705734	94	2220998	219	2753456	223
1704240	148, 153	1705735	94	2221033	224	2753457	224
1704248	258	1705910	267	2221043	221	2753458	223, 224
1704254	258, 266	1706385	145	2221046	65	2753459	219
1704260	149, 153	1706935	94	2221047	65	2753460	219
1704277	257, 262	1706936	94	2221061	223	2753461	219
1704286	258	1706937	94	2221063	223	2753462	223
1704328	265	1707013	257, 263	2221074	221	2753463	224
1704329	265	1707035	257, 262	2221086	223	2753464	224
1704330	265	1707042	263	2230031	224	2753469	224
1704331	265	1707044	263	2230033	224	2753470	224
1704332	265	1707047	263	2300016	275	2753491	224
1704333	265	1707049	264	2300028	275	2753492	224
1704339	266	1707055	262	2300029	275	2753493	224
1704340	266	1707056	263	2400044	35	2753494	224
1704341	266	1707058	263	2400060	248	2760105	148, 153
1704342	266	1707060	263	2400062	35	2780236	19, 25
1704343	266	1707133	264	2400067	149	2780245	12, 13, 41, 42
1704344	266	1707134	263	2400068	149	2780282	19, 29

SECTION 10 - SPECIAL OPTIONS

2792404.....	221, 226	3220123.....	62	3340873	109, 113, 118	3520030.....	149, 153
2792422.....	226	3250872.....	42	3340877.....	106	3520031.....	85, 89
2792423.....	219, 226	3251243.....	258, 264	3340880.....	213, 215	3520034 12, 15, 110, 114,	118
2792424.....	226	3251813.....	257, 264	3340881.....	122	3520054.....	148, 153
2792425.....	226	3252221.....	265	3340896.....	123	3520064.....	36
2792426.....	226	3252347.....	258	3340901.....	123	3520072....	137, 141, 145,
2792427.....	223, 226	3252507.....	258, 264	3340939.....	123	175	
2792428.....	223, 226	3252663.....	93	3340941.....	122	3520172.....	137
2792451.....	226	3252673.....	258	3340956	181, 183, 185	3520182.....	179
2792452.....	226	3252693.....	42	3380434.....	137, 143	3520198.....	141, 142
2792453.....	226	3252738.....	266	3380620.....	66	3536089.....	138, 143
2792459.....	226	3252739.....	266	3420156.....	147	3537903.....	101
2792460.....	223, 226	3252740.....	266	3420372.....	41	3538758.....	122
2792461.....	223, 226	3252741.....	266	3420447.....	41	3539685.....	137
2792462.....	223, 226	3252742.....	266	3421565.....	41, 52	3539719.....	171
2792476.....	226	3252743.....	266	3421627.....	51	3570901.....	11, 15
2792477.....	226	3271805.....	145	3422457.....	122	3571222.....	149
2792478.....	226	3272605.....	125, 129	3422568	109, 113, 118	3571584.....	77, 78
2820029.....	133	3290606.....	142	3422576.....	118	3571709.....	12, 16, 42
2820035.....	101, 138, 143	3300151.....	142	3422578.....	12, 15, 109	3571797.....	36
2820122.....	106	3300353.....	99	3422582.....	109	3571856.....	106
2820123.....	106	3300396.....	97, 99	3422583.....	113, 118	3571857.....	106
2820124.....	61	3300426.....	19	3422592.....	11, 12, 15	3571858.....	106
2820126.....	106	3300430.....	177, 179	3422692.....	12, 41	3571974.....	105
2820232.....	65	3310601 .	35, 97, 99, 148,	3422791.....	113, 118	3572009.....	41
2860030.....	94, 270	153		3422792.....	113, 118	3572010.....	41
2900770.....	126, 190, 203	3310801.....	89	3422793.....	114	3572011.....	41
2900792....	194, 197, 199,	3310805.....	85, 101	3422794.....	114, 118	3572012.....	41
201, 203		3311001 .	35, 77, 78, 101,	3422808	109, 114, 118	3572040.....	213, 215
2901443....	240, 253, 276	137, 141		3422811	109, 114, 118	3572055.....	36
2901548.....	190	3311005 45, 52, 101, 102,		3422813.....	12, 15	3572063.....	105
2901549.....	194	103, 149, 153		3422817.....	12, 16, 41	3572064.....	51
2901810.....	199	3311401 85, 89, 105, 137,		3422819.....	16	3572179.....	106
2901875.....	209	171, 173		3422830	109, 114, 118	3572328.....	35
2901883.....	19, 237, 249	3311405 .	66, 85, 99, 102,	3422833	109, 114, 118	3572348.....	106
2901886.....	203, 205	114, 118, 138, 143,		3422834	109, 114, 118	3572349.....	106
2901901.....	194	258, 265		3422841.....	41	3572403.....	62
2901913 .	61, 65, 237, 249	3311408.....	78	3422847.....	41	3572448.....	123
2901942.....	237, 249	3311501 .	35, 36, 86, 114,	3422848.....	42	3572490.....	42
2902019.....	213, 215	118, 171, 173		3422885.....	109	3572506.....	41
2902423.....	61	3311505 ...	45, 66, 69, 85,	3440824.....	12, 16	3572551.....	114, 118
2910866.....	275	89, 105, 175		3441260.....	51	3572628.....	51
2915227.....	275	3311508.....	90	3450304.....	147	3575359.....	173
2920028.....	153	3311601 36, 69, 105, 147,		3450812.....	12, 16, 42	3575705.....	173
2920029.....	153	154		3460334	181, 183, 185	3600310.....	69, 73
2920095....	138, 143, 238,	3311605 ...	12, 15, 61, 65,	3460492.....	65	3641586.....	175
251		66, 97, 99, 105, 106,		3470003.....	147, 154	3760133.....	122
2920129....	233, 239, 245,	113, 118, 122, 129,		3480232.....	193	3760170....	41, 52, 85, 89
252		143, 145, 149, 175,		3480249.....	199	3760367....	189, 193, 199
2920146.....	101	258, 266		3480257.....	213	3760368.....	193, 209
2920151.....	94	3311805 ...	113, 118, 129,	3480258.....	203	3760372.....	203
2920161.....	102	175		3480260.....	193	3790012....	93, 94, 97, 99,
2940042.....	36	3312002.....	51	3510675.....	137	149, 150, 153, 154	
2940074....	137, 141, 270	3312005	181, 183, 185	3510738.....	137	3820001.....	42, 258, 265
2940124.....	106	3312602.....	102	3510742.....	137	3820017.....	89
2940129.....	85, 89	3321501.....	105	3510744.....	137	3820020.....	141
2940130.....	85, 89	3322202	12, 15, 16, 41	3510747.....	137	3841143....	12, 15, 16, 42,
3000014.....	85, 89	3323003.....	12, 41	3510749.....	137	109, 114, 118	
3020008.....	19	3323403.....	16	3510753.....	137	3841203.....	114, 118
3020037.....	19, 69	3340764.....	122	3510754.....	137	3841258..	11, 12, 15, 109,
3160240.....	19	3340787.....	122	3510788.....	137	114, 118	
3160246.....	51, 55	3340837.....	11, 12, 15	3510830.....	141	3841287....	109, 114, 118
3160251.....	19, 33	3340860	51, 110, 114,	3510832.....	141	3841340.....	69, 110
3160252.....	69, 75	118		3510868.....	145	3841443.....	12, 16, 42
3160257.....	51, 58	3340861 ...	110, 114, 118,	3510884.....	145	3890040.....	145
3200425.....	66	122		3520026.....	93	3900054.....	145
3220120.....	62	3340871.....	122	3520028.....	93, 148		

SECTION 10 - SPECIAL OPTIONS

3900085 102	4070929 122	4460134....238, 239, 251, 252	4460465 ... 101, 233, 234, 235, 238, 245, 246, 247, 248, 251, 253
3900128 102	4070969 122	4460138.....238, 251	4460466 250
3900139 193	4070972 11, 15	4460205.....239, 252	4460467 ... 149, 240, 253, 276
3900205 141	4070973 11, 15	4460224.....237, 250	4460488 149, 153
3900224 147	4070974 11, 15	4460225....232, 233, 234, 235, 236, 237, 238, 244, 245, 246, 247, 249, 251, 253	4460492 ... 233, 234, 245, 246
3900232 105	4070987 94	4460226.....94, 143, 157, 162, 165, 167, 169, 232, 233, 234, 235, 236, 237, 238, 244, 245, 246, 247, 248, 249, 250, 251	4460496 97, 99, 133, 149, 153, 233, 235, 245, 247
3900259 122	4071009 51	4460233.....239, 252	4460497 97, 99, 133, 148, 153, 233, 235, 245, 247
3900262 51	4071010 51	4460234 77, 78, 153, 173	4460509 250
3900280 109, 114, 118	4100026 133	4460248.....102	4460510 240, 253, 276
3900282 105	4120035 ... 232, 239, 244, 252	4460260.....138, 143	4460634 232, 244
3900283 . 36, 45, 94, 105, 106, 123, 258, 266	4160184 105	4460264.....97, 99	4460635 232, 244
3900284 51	4160185 85, 89	4460265.... 157, 159, 162, 165, 167, 169, 232, 234, 235, 238, 244, 246, 247, 251, 252	4460701 239, 252
3900293 51	4160187 109, 113, 118	4460266.....159	4460709 239, 252
3900295 42	4160194 105	4460267....232, 239, 244, 252, 253	4460710 239, 252
3900296 42	4220162 101	4460268....235, 238, 247, 251, 252	4460742 235, 247
3910612 148	4220165 137	4460297.....138, 143	4460743 235, 247
3910636 35	4240018 61, 65	4460300....232, 233, 234, 235, 236, 237, 244, 245, 246, 247, 248, 249, 250	4460752 ... 148, 153, 233, 234, 245, 246
3910804 94	4240032 77, 78, 149, 153	4460301....239, 252	4460754 ... 233, 234, 245, 246
3911008 137	4240033 77, 78, 133, 177	4460302....235, 236, 238, 239, 247, 248, 251, 252	4460761 ... 233, 237, 245, 250
3911012 102, 103	4240084 35	4460303....232, 239, 244, 252, 253	4460802 77, 78
3911014 101	4240099 138, 143, 173	4460304....235, 236, 238, 239, 247, 248, 251, 252	4460803 77, 78
3911016 77, 78	4240112 69	4460305....232, 233, 234, 235, 237, 244, 245, 246, 247, 249, 250	4460805 77, 78
3911432 89	4240149 181, 183, 185	4460306....235, 236, 247, 249	4460836 ... 234, 235, 246, 247
3911436 85	4240178 65	4460307....232, 235, 244, 247	4460837 ... 234, 235, 246, 247
3930828 101	4300145 19	4460308....239, 252	4460868 248
3931010 52	4340678 149	4460309....233, 237, 238, 245, 249, 251	4460877 248
3931016 153	4340684 149	4460310....232, 244, 248	4460884 248
3931424 177	4341107 66	4460311....232, 244, 248	4460891 ... 101, 238, 251, 253
3931448 213, 215	4341109 66	4460312....232, 244, 248	4460897 ... 102, 103, 239, 251, 253
3931516 ... 190, 193, 199, 209	4341415 181, 183, 185	4460313....232, 233, 234, 235, 236, 237, 244, 245, 246, 247, 248, 250, 251	4460930 250
3931528 213, 215	4360031 137, 142	4460314....232, 244, 248	4460931 250
3931616 110, 114, 118	4360057 171, 173	4460315....232, 244, 248	4460939 248
3931672 147	4360070 97, 99, 270	4460316....232, 244, 248	4460943 102
3931824 51	4360274 94, 272	4460317....232, 244, 248	4460944 248
3932032 203, 205	4360322 101	4460318....232, 244, 248	4460945 248
3932232 51	4360328 93, 94, 148, 149, 154, 270	4460319....232, 244, 248	4460968 101
3941405 171	4360330 93, 149, 270	4460320....232, 244, 248	4520236 20
3952020 51	4360336 150, 154, 272	4460321....232, 244, 248	4520264 20
3960389 61, 62, 65, 66	4360387 ... 148, 150, 153, 154, 173, 270, 272	4460322....232, 244, 248	4566468 193
3960418 65, 66, 109, 114, 118	4360448 149, 153, 270	4460323....232, 244, 248	4567139 223
3960422 239, 252	4360462 148, 153, 270	4460324....232, 244, 248	4567996 85
3960447 36, 93	4360469 94, 270	4460325....232, 244, 248	4568030 213
3960464 106	4360475 93, 148, 153, 270	4460326....232, 244, 248	4568068 193
3980035 61, 65	4360476 93, 148, 153	4460327....232, 244, 248	4568100 61
3990106 97, 99	4360517 52, 236, 248	4460328....232, 244, 248	4568133 41
3990107 19	4360522 150, 155	4460329....232, 244, 248	4568220 85
4010618 142	4360549 101	4460330....232, 244, 248	4640113 20
4031707 55	4360578 101, 272	4460331....232, 244, 248	4640261 41
4032011 55	4400424 69	4460332....232, 244, 248	4640438 203, 205
4060092 239, 252	4400430 70	4460333....232, 244, 248	4640509 ... 194, 197, 199, 201, 203, 205
4060700 239, 252	4400455 69	4460334....232, 244, 248	4640741 58
4060803 137	4420014 181, 183, 185	4460335....232, 244, 248	4640858 190
4060805 110	4420038 69	4460336....232, 244, 248	4640861 224
4060807 35	4420051 42, 275	4460337....232, 244, 248	
4060808 35	4420066 181, 183, 185	4460338....232, 244, 248	
4060865 101, 102	4420068 171, 173, 175	4460339....232, 244, 248	
4060906 93, 94	4460007 97, 99	4460340....232, 244, 248	
4060959 275	4460025 238, 251	4460341....232, 244, 248	
4070863 122	4460049 171, 173	4460342....232, 244, 248	
4070864 122	4460068 138, 143	4460343....232, 244, 248	
4070897 ... 11, 12, 15, 16, 122	4460071 ... 137, 143, 233, 239, 245, 252	4460344....232, 244, 248	
4070898 ... 11, 12, 15, 16, 122	4460125 239, 252	4460345....232, 244, 248	

SECTION 10 - SPECIAL OPTIONS

4640871.....	12, 16	4846066	109, 114, 118	4922355	133, 233, 245	70000342.....	126
4640932.....	194, 197	4846067	109, 114, 118	4922356	133, 233, 245	70000382.....	67
4640936.....	190	4846074	109, 114, 118	4922357	133, 234, 246	70000435.....	49
4641123.....	45, 47	4846075	109, 114, 118	4922358	133, 233, 245	70000967.....	67
4641127.....	35, 39	4846076	13, 42	4922359	133, 234, 246	70001088.....	55
4641129.....	49, 203, 205	4846077	11, 12	4922360	133, 233, 245	70001089.....	55
4641140.....	129, 130	4846132	105	4922361	133, 234, 246	70001090.....	55
4641141.....	129, 130	4846134	85	4922362	133, 234, 246	70001091.....	55
4641142.....	130	4846135	16	4922390	102, 238, 251	70001092.....	55
4641148.....	35	4846139	15, 16	4922555	232, 244	70001093.....	55
4641162.....	190	4846140	85	4922556	232, 244	70001094.....	55
4641179.....	213, 215	4846141	16	4923061	138, 143	70001095.....	55
4641235.....	45, 47	4846142	105	4923627	235, 247	70001096.....	55
4711000.....	52, 102, 103, 153	4846158	129	4933110	228, 235, 247	70001097.....	55
4711400.....	12, 16, 35, 36, 70, 78, 85, 89, 101, 102, 114, 118, 138, 142, 143, 153, 171, 177, 179, 258, 265	4846161	36	4933111	228	70001121.....	67
4711500.....	35, 41, 45, 89, 105, 130, 147, 154	4846163	122	4933112	228, 232, 244	70001144.....	67
4711600.....	11, 12, 15, 16, 19, 45, 51, 52, 61, 65, 97, 99, 105, 106, 109, 114, 118, 122, 130, 133, 258, 266	4846164	122	4933132	228, 234, 246	70001342.....	48
4711800.....	145	4846165	122	4933145 ...	150, 154, 228, 239, 252	70001366.....	29
4712000.....	181, 183, 185	4846166	122	4933183	228, 232, 244	70001367.....	29
4712600.....	102, 103	4846178	69	4933272	228	70001368.....	30
4713000.....	12, 42	4846183	45	4933317	228, 239, 252	70001369.....	29
4713400.....	16	4846185	69	4933317	228, 239, 252	70001370.....	29
4740036.....	41	4846188	62, 66	4933387	228, 235, 247	70001371.....	29
4740111.....	12, 16, 42	4846190	62	70000289	66, 272	70001372.....	29
4740120.....	149	4846210	106	70000290	66	70001373.....	29
4740155.....	42	4846218	130	70000291	66	70001374.....	29
4740158.....	11, 12, 15, 16	4846258	118	70000292	66	70001375.....	29
4740274.....	66	4846273	62	70000293	66	70001376.....	29
4740362.....	138, 143	4846277	171	70000294	66	70001377.....	29
4740397.....	149, 153	4846278	114, 118	70000295	66	70001378.....	29
4740455.....	149	4846293	12	70000296	66	70001379.....	29
4740492.....	109, 114, 118	4846294	42	70000297	66	70001380.....	30
4740518.....	99	4846295	41	70000298	66	70001422.....	39
4750600.....	36, 97, 99, 148, 153	4846296	41	70000299	66	70001440.....	47
4750800.....	85, 101, 148, 153	4846370	171, 173	70000300	66	7000203.....	58
4751000.....	36, 41, 45, 101, 102, 137, 141, 149	4846452	141	70000301	66	70002216.....	197
4751400.....	66, 77, 105, 137, 143, 171, 173, 179	4846573	129	70000302	67	70002219.....	211
4751500.....	35, 36, 66, 69, 85, 89, 105, 106, 114, 118, 171, 173, 175	4846698	101	70000303	67	70002220.....	201
4751600.....	13, 16, 36, 42, 61, 65, 66, 69, 70, 105, 143, 147, 175	4846936	175	70000304	66	70002223.....	201
4751800.....	12, 16, 85, 89, 145, 171, 173	4860212	20	70000305	67	70002244.....	66
4760600.....	97, 99	4891500	69	70000306	67	70002408.....	23
4761000.....	77, 78, 137, 141	4891600	129	70000307	67	70002543.....	67
4811700.....	142	4891800	129	70000308	67	70002544.....	67
4845327.....	137	4892000 ...	12, 16, 19, 42, 51	70000309	67	7000255.....	58
4845426.....	137	4892200	51	70000310	67	7000256.....	58
4845925.....	114	4892600	125, 129	70000311	67	7000257.....	58
4845927.....	114, 118	4920385	66	70000312	67	7000258.....	58
4845951.....	137	4922060	232, 244	70000313	67, 272	7000263.....	58
		4922071	232, 244	70000314	67	70002724.....	167
		4922074	232, 244	70000315	67	70002725.....	167
		4922118	232, 244	70000316	67	70002726.....	167
		4922157	232, 244	70000317	67, 272	70002728.....	167
		4922160	233, 245	70000318	67, 272	70002730.....	159
		4922222 ...	150, 154, 238, 251	70000319	67, 272	70002731.....	159
		4922223 ...	150, 154, 238, 251	70000320	67	70002732.....	159
		4922303	232, 244	70000321	67, 272	70002733.....	159
		4922307 ...	149, 154, 233, 238, 245, 251	70000322	67, 272	70002734.....	159
		4922322	234, 246	70000323	62, 67, 272	70002735.....	159
		4922323	35, 237, 249	70000324	67	70002736.....	167
		4922324	239, 252	70000325	67	70002737.....	167
		4922325	234, 246	70000326	67, 70, 272	7000281.....	29, 58
		4922326	235, 247	70000327	67	70002902.....	142
		4922350	235, 247	70000328	67, 70, 237, 250	70002903.....	142
				70000329	67, 272	70002904.....	142
				70000330	67, 272	70002905.....	143
				70000340	126	70002947.39, 47, 48, 272	
						70003042.....	62

SECTION 10 - SPECIAL OPTIONS

70003483	142	70004766	161	7007640	29	7017160	126
70003525	47, 48	70004767	161	7007900	23	7017162	125
70003526	47, 48	70004768	161	7007933	23	7017163	125
70003618	67	70004769	161	7010542	47, 48, 130	7017164	125
70003619	67	70004770	161	7010543	47, 48, 130	7017165	126
70003711	25	70004771	161	7010795	59	7017167	125
70003712	25	70004772	161	7011112	194, 197	7017168	125
70003713	25	70004773	161	7011323	126	7017169	125
70003714	25	70004774	161	7011529	81, 82	7017170	125
70003715	25	70004775	162	7011590	81, 82, 238	7017172	125
70003716	25	70004954	67	7011621	81, 82, 238	7017173	125
70003717	25	70005169	67, 237, 250	7011757	23	7017178	126
70003718	25	70005192	67	7012540	39	7017192	126
70003719	25	70005193	67	7012545	19, 75	7017195	126
70003720	25	70005230	169	7012547	19	7017277	207
70003721	25	70005337	47	7012548	19, 75	7017278	207
70003722	25	70005374	48	7012549	75	7017279	207
70003723	25	7000625	137, 142	7012693	12, 16	7017280	207
70003724	25	70006364	205	7012773	39, 47, 48	7017281	207
70003725	26	70006365	205	7012775	48	7017282	207
70003819	197	70006366	205	7012799	39, 47, 48, 49	7017283	207
70003820	211	70006367	205	7012912	47, 48, 49	7017284	207
70003833	201	70006368	205	7012914	130	7017285	207
70003834	201	70006709	215	7012918	130	7017286	207
70003835	201	70006710	215	7012941	47	7017287	207
70003836	201	70006711	215	7012943	47	7017288	207
70003837	197	70006712	215	7012944	47, 130, 270, 272	7017289	207
70003838	197	70010346	275	7012953	130	7017402	130
70003839	197	7001084	207	7012965	130	7017406	197
70003840	197	7001908	58	7012967	47, 49, 203	7017412	47
70003841	197	7001913	58	7012969	39, 47	7017452	130
70003842	197	7001926	58	7012975	47	7017455	47
70003925	63	7002821	239, 253, 276	7012979	130	7017463	47
70004127	211	7002822	276	7012989	47, 48, 49	7018122	62
70004132	211	7002823	240, 253, 276	7012998	69	7018123	62
70004133	211	7002826	276	7014813	101, 102	7018124	62
70004134	211	7002828	240, 253, 276	7016319	138, 143	7018125	62
70004135	211	7002840	12, 16, 276	7016356	101, 102	7018126	61
70004265	67	7003928	157, 159	7016372	70	7018127	62
70004738	169	7003933	165	7016649	276	7018141	62
70004739	169	7003935	165	7016654	30	7018143	62
70004740	169	7003940	165	7017007	29	7018506	81, 82, 272
70004741	169	7003941	165, 167	7017009	29	7018535	82, 272
70004742	169	7003946	165	7017022	58	7018537	81, 82
70004743	169	7003952	157	7017023	58	7018564	81, 272
70004744	169	7003953	157	7017069	58	7018570	81, 270
70004745	169	7003956	157	7017071	58	7018571	81, 82
70004746	169	7003972	165, 167	7017072	58	7018900	47
70004747	169	7003973	165, 167	7017073	58	7018901	49
70004748	169	7003974	157, 165	7017074	58	7018904	49
70004749	169	7003976	157	7017075	58	7018912	48
70004750	169	7003977	157	7017076	58	7018942	39, 49
70004751	169	7003980	165, 167	7017077	58	7018991	48, 270
70004752	161	7003982	165, 167	7017078	58	7019103	165
70004753	161	7003983	165, 167	7017079	58	7019110	165
70004754	161	7003986	165	7017080	58	7019111	157, 165
70004755	161	7003989	165, 167	7017082	58	7019112	165
70004756	161	7003992	157, 165	7017083	58	7019115	165
70004757	161	7003993	157, 165	7017084	58	7019137	157
70004758	161	7003994	165	7017085	58	7019141	157
70004759	161	7004035	59	7017086	58	7019142	157
70004760	161	7004043	59	7017087	58	7019143	157
70004761	161	7004044	59	7017088	58, 59	7019144	157
70004762	161	7004275	276	7017150	125	7019145	157
70004763	161	7004276	276	7017151	125	7019147	157
70004764	161	7007633	58	7017158	126	7019149	157
70004765	161	7007637	58	7017159	126	7019150	157

SECTION 10 - SPECIAL OPTIONS

7019151.....	165	7020261.....	122	7022001.....	36	7024011.....	39
7019154.....	165	7020262.....	122	7022002.....	36	7024013...39, 47, 48, 270	
7019157.....	165	7020264.....	122	7022003.....	36, 236, 249	7024018.....	47
7019158.....	165	7020265.....	122	7022004.....	36, 236, 249	7024019.....	48
7019159.....	165	7020266.....	122	7022005.....	36, 237, 249	7024020.....	48
7019160.....	165	7020291.....	75	7022007.....	36	7024021.....	48
7019161.....	165	7020292.....	75	7022008.....	36, 236, 249	7024022.....	49
7019162.....	165, 167	7020293.....	75	7022009.....	36	7024023.....	49
7019164.....	165, 167	7020294.....	75	7022010.....	36	7024024.....	49
7019165.....	165, 167	7020295.....	75	7022012.....	237, 249	7024047.....	26
7019167.....	165, 167	7020296.....	75	7022391.....	47	7024049.....	25
7019168.....	165	7020297.....	75	7022521.....	48	7024051.....	25
7019170.....	157	7020298.....	75	7022531.....	49	7024053.....	25
7019174.....	157	7020299.....	75	7022586.....	33	7024054.....	26
7019191.....	165	7020603.....	81, 82	7022587.....	33	7024056.....	73
7019194.....	165, 167	7020640.....	81	7022588.....	33, 55	7024135.....	58
7019195.....	157	7020642.....	81, 82, 272	7022589.....	33	7024136.....	58, 59
7019196.....	165	7020643.....	81	7022591.....	33	7024199.....	58
7019197.....	157	7020644.....	81, 82	7022593.....	55	7024303.....	62
7020035.....	13, 42	7020645.....	81, 238	7022594.....	55	7024378.....	59
7020036.....	13, 42	7020646.....	81, 238	7022595.....	55	7024379.....	59
7020037.....	13, 42	7020648.....	81, 82	7022596.....	55	7024380.....	59
7020038.....	13, 42	7020649.....	81, 82	7022808.....	157, 159	7024381.....	59
7020039.....	13, 42	7020650.....	81, 82	7022812.....	165	7024382.....	59
7020040.....	13, 42	7020651.....	81, 82	7022813.....	157	7024383.....	59
7020041.....	13, 42	7020652.....	81	7022815.....	159	7024384.....	59
7020054.....	13, 42	7020653.....	81, 272	7022910.....	81, 237	7024385.....	59
7020055.....	13, 42	7020654.....	81, 272	7022924.....	81	7024386.....	59
7020137.....	13, 42	7020662.....	81	7023200.....	75	7024387.....	59
7020140.....	13, 42	7020683.....	82	7023208.....	49	7024388.....	59
7020155.....	70, 237, 249	7020689.....	82	7023209.....	49	7024389.....	59
7020156.....	70	7020690.....	82	7023210.....	49	7024441.....	69
7020157.....	62	7020691.....	82, 270	7023211.....	62	7024446.....	70
7020158.....	62	7020692.....	82, 238	7023218.....	62	7024700.....	58
7020159.....	62	7020693.....	82, 238	7023224.....	69, 70, 270	7024701.....	58
7020160.....	62	7020694.....	82	7023268.....	69, 70	7024738.....	29
7020161.....	62	7021323.....	25	7023269.....	69, 70, 270	7024741.....	29
7020162.....	62	7021324.....	25	7023270.....	69, 70	7024844.....	201
7020163.....	62	7021325.....	25	7023274.....	63	7024931.....	25
7020164.....	62	7021326.....	25	7023306.....	69, 70	7024981.....	26
7020165.....	62	7021327.....	25	7023347.....	69, 70	7024983.....	25
7020166.....	62	7021328.....	25	7023485.....	62	7024985.....	25
7020167.....	62	7021329.....	26	7023486.....	237, 249	7024986.....	26
7020175.....	93, 148, 153	7021333.....	26	7023494.....	62	7024991.....	48
7020176.....	93, 148, 153	7021335.....	25	7023497.....	61	7024991.....	201
7020197.....	63	7021336.....	25	7023801.....	33	7026068.....	197
7020198.....	63	7021337.....	25	7023803.....	25	7026088.....	201
7020199.....	63	7021338.....	26	7023806.....	33	7026090.....	201
7020200.....	63	7021339.....	25	7023807.....	33	7026091.....	201
7020202.....	63	7021340.....	25	7023866.....	33	7026092.....	201
7020203.....	62	7021341.....	25	7023867.....	33	7026121.....	69
7020206.....	62	7021342.....	25	7023868.....	33	7026170.....	122
7020207.....	62	7021344.....	25	7023869.....	33	7026182.....	122
7020215.....	62	7021365.....	48	7023870.....	33	7026198.....	61
7020217.....	63	7021375.....	39, 47, 48	7023871.....	33	7026616.....	213, 215
7020251.....	13, 42	7021376.....	48	7023872.....	33	7026662.....	62
7020253.....	69	7021609.....	130	7023905.....	130	7026669.....	63
7020255.....	69	7021619.....	47	7023906.....	130	7026670.....	63
7020257.....	70	7021651.....	130	7023968.....	130	7027859.....	106
7020260.....	122	7022000.....	36	7024007.....	33	8229242.....	248



3121118



An Oshkosh Corporation Company

Corporate Office
JLG Industries, Inc.
1 JLG Drive
McConnellsburg, PA 17233-9533 USA
☎ (717) 485-5161 (Corporate)
☎ (877) 554-5438 (Customer Support)
☎ (717) 485-6417

Visit our website for JLG Worldwide Locations.
www.jlg.com