

GRADALL®

Illustrated Parts Manual

***Models
534B-9***

***Starting
S/N 0144860S***

P/N - 9103-4312

Revised July 6, 2007



JLG®



SECTION 1 - INTRODUCTION

Table of Contents 1-1 thru 1-3
Alphabetical Index 1-4 thru 1-8
Service Kits 1-9
Part Number Index 1-10 thru 1-23

SECTION 2 - CHASSIS & ATTACHING PARTS

Frame Shrouding & Trim 2-1
Cab Enclosure, Wiper & Defroster 2-2
Heater & Piping 2-3
Front Axle Cradle & Mounting 2-4
Rear Steering Axle & Attaching Parts 2-5
Cab Glass 2-6

SECTION 3 - BOOMS

First & Second Boom Sections 3-1
Third Boom Section, Push Beam & Cable 3-2
Quick Switch Assembly 3-3

SECTION 4 - ATTACHMENTS & ACCESSORIES

Buckets & Carriages 4-1
Truss Boom 4-2
Truss Boom With Winch 4-3
Six Foot Vertical Mast 4-4
Slope Piler Carriage 4-5

SECTION 5 - ENGINE & ATTACHING PARTS

Perkins Diesel Engine Mounting 5-1
Engine Right Side View 5-2
Engine Left Side View 5-3
Radiator & Hoses 5-4
Air Cleaner Piping 5-5
Air Cleaner 5-6
Fuel Tank & Lines 5-7

SECTION 6 - DRIVE TRAIN

Transmission Mounting & Controls 6-1
Flex Plate & Torque Converter 6-2
Case & Converter Housing 6-3
Converter Housing Attaching Parts 6-4
Clutch & Gear Group (Reverse, 2nd & Low) 6-5
Clutch & Gear Group (Forward, Output & 3rd) 6-6
Clutch Assemblies 6-7
Modulator Valve 6-8
Control Valve 6-9
Propeller Shaft 6-10

SECTION 6 - DRIVE TRAIN (Continued)

Front Axle Assembly	6-11
Front Axle Housing	6-12
Front Axle Differential Carrier	6-13
Front Axle Shaft & Planetary Wheel End	6-14
Wheels & Tires	6-15
Planetary Hub	6-16
Front Axle Service Brakes	6-17
Front Axle Parking Brake	6-18

SECTION 7 - CONTROLS

Transmission Tilt & Sway with Mounting Parts	7-1
Boom Tilt & Sway	7-2
Accelerator Linkage	7-3
Steering Column	7-4

SECTION 8 - BRAKES

Hydraulics & Service Brake Lines	8-1
Hydraulics & Parking Brake Lines	8-2
Brake Pedal & Inching Linkage	8-3
Accumulator, Charging Valve & Lines	8-4

SECTION 9 - HYDRAULIC CIRCUITS

Oil Supply & Pressure Lines	9-1
Dump Circuit	9-2
Rear Drive	9-3
Steering	9-4
Lift Cylinder	9-5
Crowd Cylinder	9-6
Tilt & Tilt compensating Cylinder	9-7
Sway Cylinder	9-8

SECTION 10 - HYDRAULIC COMPONENTS

Lift Cylinder	10-1
Crowd Cylinder	10-2
Tilt Cylinder	10-3
Compensating Cylinder	10-4
Sway Cylinder	10-5
Steering Cylinder	10-6
Main Control Valve	10-7
Priority Flow Control Valve	10-8
Forward Reverse Control Valve	10-9
Series Parallel Control Valve	10-10
Solenoid Valve	10-11
Dual P.O. Check Valve	10-12
Inching Valve	10-13

SECTION 10 - HYDRAULIC COMPONENTS (continued)

Main Hydraulic Pump	10-14
Pilot Pump	10-15
Rear Drive Motor	10-16
Accumulator Charge Valve	10-17
Oil Reservoir Filter	10-18
Directional Control Valve	10-19
Hydraulic Oil Reservoir	10-20
Brake Valve	10-21
Parking Brake Valve	10-22
Winch	10-23
Winch Motor	10-24
Crossover Valve	10-25
Joystick Assembly	10-26

SECTION 11 - ELECTRICAL

Dash Wiring	11-1
Batteries & Cables	11-2
Wiring - Frame & Engine	11-3

SECTION 12 - MISCELLANEOUS

Frame decals	12-1
Boom Decals	12-2

SECTION 13 - OPTIONAL EQUIPMENT

Joystick	13-1
Rear Wiper Installation	13-2
Rotating Beacon Assembly	13-3
Glow Plug Installation	13-4
Winch Drain Lines	13-5
Stabilizer Option	13-6
Auxiliary Controls Assembly	13-7
Pintle Hook	13-8
Winch Assembly	13-9
Winch	13-10
Outrigger Installation	13-11
Outrigger Valve Assembly	13-12
Outrigger Cylinder	13-13
Dual P.O. Check Valve (Outriggers)	13-14
Stabilizer Cylinder	13-15
Slope Piler Carriage	13-16
Sway Cylinder	13-17
Dual P.O. Check Valve	13-18
Auxiliary Hydraulics	13-19
Tilt on Joystick	13-20
Cab Enclosure	13-21
Steer Axle Advantage Kit	13-22
Steering Cylinder	13-23
* Rear Axle Rework Kit	13-24
* Hydraulic Controller	13-25
Work Light Package	13-26

ACCELERATOR CABLE 7-3
ACCELERATOR PEDAL 7-3
ACCUMULATOR 8-4
ACCUMULATOR CHARGE VALVE 8-4, 10-17
AIR CLEANER 5-5, 5-6
AIR CLEANER ELEMENT 5-6
AIR CLEANER SERVICE INDICATOR 5-1, 5-2, 11-3
ALTERNATOR FAN 5-1
ATTACHMENTS 4-1 thru 4-4

BATTERY 11-3
BATTERY CABLES 11-3
BEARING PADS (Boom sections) 3-1, 3-2
BOOM DECALS 12-2
BOOM SECTIONS 3-1, 3-2
BRAKE PEDAL 8-3
BRAKE VALVE 8-3, 10-21
BREATHER (Filler cap) 10-20

CAB 2-2
CAB DOOR 2-2
CARRIAGE & FORKS 4-1
CHARGE VALVE (Accumulator) 8-4, 10-7
CIRCUIT BREAKERS 11-1
COMPENSATING CYLINDER 10-4
COMPENSATING CYLINDER HYDRAULIC CIRCUIT 9-7
CONTROL VALVES 10-7, 10-8, 10-9, 10-10
CRADLE 2-4
CRADLE MOUNTING PIN 2-4
CROWD CYLINDER 10-2
CROWD CYLINDER HYUDRAULIC CIRCUIT 9-6

DECALS 12-1, 12-2
DECK 2-1
DEFROSTER FAN 2-2
DIRECTIONAL CONTROL VALVE 10-19
DOOR 2-2
DOOR HANDLES 2-2
DRIVE BELT 5-1
DUAL P.O. CHECK VALVE 10-12, 13-14, 13-18
DUMP CIRCUIT 9-2

ELECTRICAL SYSTEMS 11-1, 11-2, 11-3

ENGINE LEFT SIDE VIEW	5-3
ENGINE MOUNT	5-1
ENGINE RIGHT SIDE VIEW	5-2
ENGINE THROTTLE CONTROL	7-3
EXHAUST MANIFOLD	5-1
FAN BELT	5-1
FAN GUARD	5-4
FILTERS	5-6
FILTER ELEMENT	5-6
FIRST BOOM SECTION	3-1
FIRST BOOM SECTION MOUNTING PIN	3-1
FORWARD REVERSE CONTROL VALVE	10-9
FORWARD SHIFT CONTROL ROD	7-1
FRAME	2-1
FRAME SHROUDING & TRIM	2-1
FRONT AXLE	6-11
FRONT AXLE CRADLE	2-4
FRONT AXLE DIFFERENTIAL CARRIER	6-13
FRONT AXLE HOUSING	6-12
FRONT AXLE SHAFT & PLANETARY WHEEL END	6-14
FUEL GAUGE	11-1
FUEL LEVEL SENDER	5-7
FUEL LINES	5-7
FUEL TANK & CAP	5-7
GROUND CABLE	5-2, 11-3
HEAT SHIELD	5-1
HEATER	2-3
HEATER SWITCH	2-3
HOOD	2-1
HORN	11-3
HORN BUTTON	11-1
HORN RELAY	11-3
HORN WIRING	11-3
HOURLY METER	11-1
HYDRAULIC CIRCUITS	9-1 thru 9-8
HYDRAULIC CONTROLLER (Joystick)	13-1
IGNITION SWITCH	11-1
INCHING VALVE	8-2, 8-3, 10-13
INSTRUMENT PANEL	11-1

JOYSTICK (Hydraulic Controller)	13-1
JOYSTICK HYDRAULIC CIRCUIT	13-1
 KITS	 1-9
 LIFT CYLINDER	 10-1
LIFT CYLINDER HYDRAULIC CURCUIT	9-5
 MAIN BOOM SECTIONS	 3-1, 3-2
MAIN HYDRAULIC PUMP	5-3, 10-14
MUFFLER	5-1
 NEGATIVE BATTERY CABLE	 11-3
 OIL COOLER	 9-2
OIL FILTER (Hydraulic)	10-20
OIL PRESSURE GAUGE	11-1
OIL PRESSURE SENDER	5-2
OIL RESERVOIR	10-20
OIL SUPPLY & PRESSURE LINES	9-1
OUTRIGGER ARM	13-1
OUTRIGGER CONTROL VALVE	13-12
OUTRIGGER CYLINDER	13-13
OUTRIGGER CYLINDER HYDRAULIC CIRCUIT	13-11
OUTRIGGER SHOE	13-11
 PARKING BRAKE LINES	 8-2
PARKING BRAKE VALVE	10-22
PILOT PUMP	10-15
POSITIVE BATTERY CABLE	11-3
PRIORITY FLOW CONTROL VALVE	10-8
PROPELLER SHAFT	6-10
PUSH BEAM & CABLES	3-2
 QUICK SWITCH ASSEMBLY	 3-3
 RADIATOR & HOSES	 5-4
REAR AXLE FRAME	2-5
REAR AXLE MOUNTING PIN	2-5
REAR DRIVE HYDRAULIC CIRCUIT	9-3
REAR DRIVE MOTOR	9-3, 10-16
REAR STEERING AXLE	2-5
REAR STEERING AXLE PLANETARY HUB	2-5, 6-16
RELIEF VALVE	8-4
REPAIR KITS	1-9

RESERVOIR	10-20
RESERVOIR FILLER-BREATHER	10-20
RESERVOIR FILTER	10-20
RESERVOIR SUPPLY CIRCUIT	9-1
RETRACTION CABLES	3-2
REVERSE SHIFT CONTROL ROD	7-1
SAND BUCKET	4-1
SEAT	2-1
SEAT BELT	2-1
SECOND BOOM SECTION	2-1
SERIES PARALLEL CONTROL VALVE	10-10
SERVICE BRAKE LINES	8-1
SERVICE KITS	1-9
SHUT-OFF VALVES	2-3
SLOPE PILER CARRIAGE	13-16
SOLENOID VALVE	10-11
SPINNER KNOB	7-4
STABILIZER CYLINDER	13-15
STABILIZER CYLINDER HYDRAULIC CIRCUIT	13-6
STARTER MOTOR	5-1, 11-3
STEERING COLUMN	7-4
STEERING CYLINDER	10-6
STEERING CYLINDER HYDRAULIC CIRCUIT	9-4
STEERING KNUCKLES	2-5
STEERING ORBITROL	7-4
STEERING WHEEL	7-4
SUPPLY HYDRAULIC CIRCUIT	9-1
SWAY CONTROL HANDLE & LINKAGE	7-1
SWAY CYLINDER	10-5, 13-17
SWAY CYLINDER HYDRAULIC CIRCUIT	9-8
THIRD BOOM SECTION	3-2
TIE ROD ARM	2-5
TILT CONTROL HANDLE & LINKAGE	7-1
TILT CYLINDER	10-3
TILT CYLINDER HYDRAULIC CIRCUIT	9-7
TORQUE CONVERTER	6-2
TRANSMISSION	6-1
TRANSMISSION CASE & CONVERTER HOUSING	6-3
TRANSMISSION CHARGE PUMP	6-4
TRANSMISSION CLUTCH ASSEMBLIES	6-7
TRANSMISSION CLUTCH & GEARING (Forward, Output & Third)	6-6
TRANSMISSION CLUTCH & GEARING (Reverse, Second & Low)	6-5
TRANSMISSION CONTROL VALVE	6-9

TRANSMISSION DISCONNECT SWITCH 8-3
TRANSMISSION DRIVE GEARING 6-4
TRANSMISSION FLEX PLATE & TORQUE CONVERTER 6-2
TRANSMISSION MODULATOR VALVE 6-8
TRANSMISSION TEMPERATURE GAUGE 11-1
TRAVEL ALARM 11-3

WATER SEPARATOR 5-7
WATER TEMPERATURE GAUGE 11-1
WATER TEMPERATURE SENDER 11-3
WEATHER STRIP 2-2
WHEELS & TIRES 6-15
WINDOWS 2-2
WINDSHIELD WIPER ARM 2-2
WINDSHIELD WIPER BLADE 2-2
WINDSHEILD WIPER MOTOR 2-2
WIRING HARNESS 11-1, 11-3

<u>SECTION</u>	<u>PAGE NO.</u>	<u>PART NUMBER</u>	<u>DESCRIPTION</u>
2	2-5	9103-5240	STEERING KNUCKLE KIT
2	2-5	9104-5152	STEERING CYLINDER PIN KIT
6	6-19	9104-4427	PARKING BRAKE REPAIR KIT
6	6-19	9104-4428	PARKING BRAKE LINING KIT
7	7-4	9020-6567	ORBITROL SEAL KIT
10	10-1	9103-4278	LIFT CYLINDER SEAL KIT
10	10-2	9103-4290	CROWD CYLINDER SEAL KIT
10	10-3	9103-4278	TILT CYLINDER SEAL KIT
10	10-4	9103-4278	COMPENSATING CYLINDER SEAL KIT
10	10-5	9103-4297	SWAY CYLINDER SEAL KIT
10	10-6	9103-4301	STEERING CYLINDER SEAL KIT
10	10-7	9103-4070	STUD KIT
10	10-7	9103-4237	SEAL KIT
10	10-7	9103-4236	SEAL KIT
10	10-7	9020-6419	RETAINER PLATE KIT
10	10-7	9103-4159	SPOOL SEAL KIT
10	10-7	9020-6417	SECTION SEAL KIT
10	10-10	7738-4264	SEAL KIT
10	10-10	9104-4343	SEAL KIT
10	10-10	9104-4002	SEAL KIT
10	10-10	9104-4345	SEAL KIT
10	10-13	9103-4018	INCHING VALVE SEAL KIT
10	10-14	9103-4315	HYDRAULIC PUMP SEAL KIT
10	10-15	9104-4441	MAJOR KIT
10	10-15	9104-4442	SEAL KIT
10	10-21	9106-4057	REPAIR KIT
10	10-24	9020-8212	SHAFT SEAL KIT
10	10-26	9900-7524	PLUNGER SEAL KIT
13	13-4	9103-3250	GLOW PLUG KIT
13	13-10	9103-4161	SEAL REPLACEMENT KIT
13	13-10	9103-4162	MOTOR SEAL KIT
13	13-12	9103-4124	TIE ROD KIT
13	13-13	9104-4065	OUTRIGGER CYLINDER SEAL KIT
13	13-15	9104-4330	STABILIZER CYLINDER SEAL KIT

INDEX

PART NUMBER	PAGE	PART NUMBER	PAGE	PART NUMBER	PAGE
0510-1441	13-11, 13-16, 4-5, 3-1	7710-4109	6-3	7710-4225	6-5
1200-1234	5-1	7710-4110	6-3	7710-4226	6-5
1440-2248	13-19	7710-4111	6-3	7710-4227	6-5
1440-3190	13-21	7710-4112	6-3	7710-4230	6-6, 6-7
2443-1386	4-4	7710-4113	6-3	7710-4231	6-5
2460-1570	13-22, 2-5	7710-4116	6-3	7710-4255	6-4
2464-1328	2-3, 5-2	7710-4118	6-3	7710-4273	6-9
2474-1047	11-3, 5-2	7710-4119	6-3	7710-4275	6-9
2477-1004	13-4	7710-4128	6-6	7710-4276	6-9
2492-1332	5-1	7710-4142	6-6	7710-4277	6-9
2492-1393	11-3	7710-4143	6-6	7710-4278	6-9
2492-1394	11-3	7710-4158	6-5	7710-4279	6-9
2492-1395	11-3	7710-4164	6-4	7710-4284	6-3
7149-2134	5-3	7710-4177	6-5	7710-4285	6-3
7702-3006	12-1	7710-4179	6-5	7710-4289	6-12
7702-3007	12-1	7710-4180	6-5	7710-4303	6-13
7710-3006	11-3	7710-4181	6-4, 6-5	7710-4343	6-12, 6-14
7710-3089	8-2	7710-4182	6-5	7710-4439	6-13
7710-3138	5-5	7710-4184	6-5, 6-6	7710-4444	6-14
7710-4007	6-4	7710-4185	6-5, 6-6	7710-4445	6-14
7710-4008	6-9	7710-4186	6-5, 6-6	7713-1088	13-1, 9-4, 8-2
7710-4012	6-2	7710-4187	6-5, 6-6	7713-3089	5-3, 9-1, 8-2
7710-4016	6-4	7710-4188	6-7	7713-3139	8-1
7710-4022	6-4	7710-4189	6-7	7713-3140	13-11, 8-1
7710-4027	6-2	7710-4190	6-7	7713-3147	9-1
7710-4030	6-2	7710-4191	6-7	7713-3167	13-1, 9-2, 8-2
7710-4031	6-2	7710-4192	6-7	7713-3168	13-11
7710-4032	6-2	7710-4193	6-7	7713-3171	8-4
7710-4034	6-2	7710-4194	6-7	7713-3177	13-11, 8-1
7710-4035	6-2	7710-4197	6-4, 6-6	7713-3196	13-20
7710-4036	6-2	7710-4198	6-6	7713-3226	13-9
7710-4037	6-2	7710-4199	6-6	7713-3248	13-18
7710-4039	6-2	7710-4201	6-6	7713-3270	8-1
7710-4040	6-2	7710-4202	6-6	7713-3342	9-3, 8-2
7710-4041	6-2	7710-4203	6-5	7713-3389	13-11
7710-4042	6-2	7710-4204	6-4, 6-6	7713-3390	13-11
7710-4044	6-2	7710-4205	6-6	7713-3447	13-20, 9-2
7710-4045	6-2	7710-4206	6-5, 6-6	7713-3459	13-9
7710-4046	6-2	7710-4207	6-5, 6-6	7713-3498	13-11, 9-1
7710-4048	6-3, 6-4	7710-4208	6-5, 6-6	7713-3499	13-11, 9-1
7710-4057	6-3	7710-4209	6-7	7713-3875	9-1
7710-4085	6-3, 6-4, 6-6, 7-3	7710-4211	6-6	7713-4028	10-14
7710-4086	6-3	7710-4212	6-6	7713-4044	10-14
7710-4087	6-6	7710-4213	6-6	7713-4059	5-3
7710-4088	6-6	7710-4217	6-6	7714-3003	2-1
7710-4096	6-3	7710-4219	6-5	7714-3004	13-21, 2-1, 7-1
7710-4097	6-3	7710-4220	6-5	7714-3006	11-2, 13-21, 2-1, 7-1
7710-4098	6-3	7710-4221	6-5	7716-3102	13-7, 13-20
7710-4102	6-3	7710-4222	6-5	7722-3003	11-3
7710-4103	6-3	7710-4223	6-5	7724-1003	9-1
7710-4107	6-3	7710-4224	6-5	7733-3011	12-1

INDEX

PART NUMBER	PAGE	PART NUMBER	PAGE	PART NUMBER	PAGE
7733-3027	12-1	8471-1369	5-3	8471-7900	9-2, 9-3
7734-3018	12-1	8471-6238	9-1	8471-7922	9-7
7736-3121	10-10	8471-6251	9-1, 8-4	8471-7956	13-20
7736-3191	13-7	8471-6377	13-9	8471-7987	8-1, 8-2
7738-3154	5-5	8471-6426	13-6	8471-8025	13-19
7738-3410	13-7	8471-6434	13-16, 4-5	8471-8323	13-20
7738-3744	13-21	8471-6448	9-5	8503-1160	5-5
7738-4264	10-10	8471-7252	13-9	8503-1525	5-3
7738-4267	10-11	8471-7317	8-2	8504-1654	5-4
8097-3025	2-1	8471-7341	9-2	8505-1384	13-1
8203-3993	13-7	8471-7413	9-1, 8-4	8507-1028	2-1
8307-3699	6-12, 6-13, 6-17	8471-7458	13-1	8507-1128	5-4
8308-1182	6-13, 6-14	8471-7464	9-3	8507-1132	2-1
8319-1007	5-1	8471-7466	9-2, 8-2	8510-1098	2-5
8319-1011	5-1	8471-7468	9-1	8521-1041	11-1
8319-1019	5-1	8471-7473	13-11	8540-1340	2-1, 5-3, 3-1
8319-1028	5-1	8471-7474	13-11	8568-1076	9-3
8319-3009	6-11	8471-7477	13-11	8584-1094	11-2, 11-3
8320-1003	3-2	8471-7479	13-11	8594-1017	5-3
8320-1006	2-5	8471-7489	9-2, 8-4	8594-1045	10-14
8320-1031	2-4, 6-11	8471-7508	8-2	8624-1716	2-5
8320-1044	9-5, 9-7, 9-8, 3-1, 3-2	8471-7518	9-2, 8-4	8652-1144	2-5, 5-3
8320-1048	10-10	8471-7519	13-1	8654-1381	5-7
8320-1053	13-11, 3-1	8471-7520	9-2	8666-1084	11-3
8320-1057	10-24	8471-7521	9-2	8666-1147	13-7
8320-1073	13-6, 13-11, 8-3	8471-7522	8-1, 8-2	8667-1112	5-2
8320-1107	2-4	8471-7523	8-1, 8-2	8667-1164	5-1
8320-1120	13-8	8471-7524	6-11, 8-1	8668-1572	2-5
8320-1123	3-3	8471-7527	13-11	8668-3106	5-7
8320-1140	13-22, 2-5	8471-7528	13-11	8668-3117	7-1
8320-1144	13-22	8471-7546	9-4	8668-3118	7-3
8325-1262	9-1	8471-7547	9-4	8668-3122	5-3
8338-4172	6-13	8471-7548	9-4	8668-3193	13-21, 2-3
8345-1104	4-3	8471-7550	9-4	8668-3480	11-3, 13-2, 13-20, 13-21, 8-3
8348-1645	3-1	8471-7553	9-4	8682-1248	9-5
8348-3113	11-3	8471-7561	8-2, 8-4	8688-1704	6-13
8348-3114	11-3, 8-3	8471-7570	5-4	8688-3071	13-7
8348-3497	5-3	8471-7571	5-4	8688-3327	5-5
8360-1011	12-1	8471-7577	9-2, 9-3	8688-3469	13-16, 4-5
8364-1675	12-1	8471-7587	13-1	8692-1163	2-1
8365-1133	9-8	8471-7608	9-6	8692-1268	13-22, 13-24, 2-5
8366-1145	2-1, 2-2	8471-7610	8-4	8692-3006	13-7, 9-2, 9-7
8366-1316	13-16, 4-5, 9-2, 9-3, 9-4	8471-7638	8-4	8698-3188	13-20, 13-21
8367-1037	10-14	8471-7640	4-4	8698-3191	9-3
8368-1481	5-1	8471-7644	4-3	8820-1001	5-3
8368-3175	5-1, 8-4	8471-7797	9-2	8820-1003	13-2, 13-21, 2-1, 2-2, 5-4, 8-3
8368-3291	2-1	8471-7799	9-5	8820-1004	13-1
8368-3307	2-1	8471-7842	9-2, 8-2	8820-1005	13-21, 2-3, 9-3, 8-1
8368-3308	5-1, 5-4	8471-7847	13-6	8820-1008	9-6
8452-1056	5-4, 9-2	8471-7848	13-6		
8471-1342	9-3	8471-7882	9-4		

INDEX

PART NUMBER	PAGE	PART NUMBER	PAGE	PART NUMBER	PAGE
8820-1009	13-20, 5-1, 9-1, 8-4	8820-1532	13-19, 3-1, 3-2		4-2, 4-3, 7-1, 9-3,
8820-1014	13-3	8820-1533	3-1, 3-2		9-7, 10-7, 10-23, 3-1
8820-1017	6-3	8820-1534	5-1, 3-1	8850-1010	13-1, 4-3, 7-2,
8820-1018	13-1, 5-5	8820-1535	5-2		9-5, 9-7, 9-8
8820-1019	13-10	8820-1536	13-16, 4-5, 3-2	8850-1012	6-1
8820-1020	5-5	8820-1537	13-16, 4-5	8850-1016	13-16, 4-5
8820-1021	2-1, 4-2, 4-3,	8820-1538	5-2	8850-1105	7-3
	5-4, 5-7, 7-3	8820-1549	5-1	8850-1106	4-2, 4-3, 8-3, 3-2
8820-1027	4-3	8820-1563	3-1	8850-1108	13-5, 13-9, 13-19,
8820-1028	9-4	8820-1564	3-2		7-2, 9-7
8820-1031	13-21, 2-2, 5-3, 9-2	8820-1567	3-1	8850-1110	13-22, 2-5, 7-2, 7-3
8820-1033	2-1, 7-4, 9-1,	8820-4912	12-1	8850-1112	13-7
	9-3, 9-4, 3-2	8821-1032	8-3	8850-1116	3-1, 3-2
8820-1035	13-10, 13-22, 2-5,	8821-1046	8-4	8850-1305	7-1, 7-2
	4-2, 4-3, 9-2,	8821-1047	8-4	8850-1404	7-3
	9-5, 10-20, 10-23	8821-1069	10-7	8850-1406	13-7, 7-2, 8-3
8820-1036	2-5, 4-2, 4-3, 5-3,	8821-1117	13-24, 2-5	8850-1416	13-22, 2-5
	9-3, 8-3, 10-23	8821-1121	13-22, 13-24, 2-5	8850-1612	2-1, 8-3
8820-1037	13-11, 4-4, 5-1, 5-2,	8821-2228	8-2, 8-3	8850-1613	11-1, 13-21, 7-3
	7-4, 9-4, 10-23	8821-2262	2-5	8852-1006	9-2
8820-1038	10-15	8821-2321	13-22, 13-24, 2-5	8852-1010	9-7, 3-1, 3-2, 3-3
8820-1039	13-21, 2-2, 5-4	8822-1701	2-5	8852-1016	13-16, 2-4, 4-5, 6-11
8820-1040	13-11, 13-14, 13-16, 4-5	8825-1018	7-3	8852-1204	12-1, 13-6
8820-1041	9-8, 10-12	8825-1021	8-3	8852-1205	5-5, 8-3
8820-1044	13-6	8826-1009	2-1	8852-1206	13-6, 13-11, 5-4
8820-1045	5-1, 3-2	8826-1021	8-2	8852-1208	13-22, 13-24, 2-5,
8820-1046	6-3	8826-1030	7-1		5-1, 5-7, 8-3, 10-20
8820-1050	2-1	8830-1090	3-3	8852-1216	2-4
8820-1051	13-10	8830-1092	2-1	8852-1304	13-21, 2-2, 5-1, 9-1
8820-1053	6-3	8830-1099	13-6	8852-1305	5-4, 5-7, 7-3, 3-2
8820-1062	6-4	8830-1193	12-1, 2-1, 3-3	8852-1306	13-22, 2-5, 5-1
8820-1065	13-16, 2-5, 4-5,	8830-1309	13-21, 2-2	8852-1308	2-1
	7-1, 9-7, 3-2, 3-3	8830-1548	10-7	8852-1310	4-1, 4-5, 3-2
8820-1066	2-1, 4-3, 5-1,	8830-2128	12-1	8852-1312	13-22, 2-5
	5-7, 6-1, 10-20	8832-1015	13-7, 13-21, 2-2, 7-1	8852-1605	2-1
8820-1067	2-1, 5-2, 5-3, 9-3, 3-1	8832-1019	12-1	8855-1007	13-6, 2-1, 8-3
8820-1068	4-2, 9-3, 8-3	8832-1039	13-7, 13-21, 2-2	8855-1009	13-1, 13-20, 2-1,
8820-1069	13-9, 3-1	8832-1047	2-1		5-3, 5-4, 8-3
8820-1070	5-7, 9-3, 10-20	8834-1022	13-16, 4-1, 4-2,	8855-1010	13-10, 2-1, 5-1,
8820-1072	5-1, 10-7		4-3, 4-4, 4-5		5-5, 6-3, 7-1, 8-2
8820-1073	4-2, 4-3	8834-4901	12-1	8855-1011	13-6, 13-10, 13-11,
8820-1096	4-3	8844-1001	8-3		13-14, 13-16, 13-22,
8820-1105	4-1, 4-5	8850-1004	13-1, 13-2, 13-3,		2-1, 2-2, 2-5, 4-4, 4-5,
8820-1106	7-3		13-20, 13-21, 2-2,		5-1, 5-2, 5-3, 6-3, 7-1,
8820-1107	3-2		2-3, 7-4, 9-3, 9-6		9-2, 9-8, 8-3, 10-7,
8820-1110	6-1	8850-1005	13-1, 4-2, 4-3, 5-1, 3-2		10-9, 10-12, 10-23
8820-1115	2-1	8850-1006	13-6, 13-11, 13-21,	8855-1012	13-10, 5-1
8820-1118	2-1		13-22, 2-2, 2-5, 4-2, 4-3,	8855-1013	13-8, 13-9, 13-16, 2-1,
8820-1120	6-1		4-4, 5-3, 7-1, 10-10, 10-23		2-5, 4-5, 5-1, 5-2, 5-3,
8820-1144	2-5	8850-1007	2-1		5-7, 6-1, 7-1, 9-7,
8820-1328	7-2	8850-1008	13-5, 13-9, 13-19,		10-20, 3-1, 3-3

INDEX

PART NUMBER	PAGE	PART NUMBER	PAGE	PART NUMBER	PAGE
8855-1016	6-1	8863-1509	3-3	8866-2070	9-1
8855-1105	8-4	8864-1057	3-3	8866-2085	13-6, 13-11, 13-12, 8-4
8855-1109	13-24	8864-1401	2-1	8866-2105	13-1, 13-20, 6-11, 9-2, 9-3, 8-1, 8-2
8855-1115	6-1	8866-1011	13-9	8866-2106	13-9, 9-2, 8-2
8855-1153	13-22, 13-24, 2-5	8866-1013	13-16, 4-3, 4-4, 4-5	8866-2107	13-7, 4-3, 9-2, 9-5, 9-7
8855-4900	12-1, 2-1	8866-1016	4-4	8866-2108	13-1, 9-5, 9-6, 8-4
8855-4917	11-1, 13-21	8866-1065	13-9	8866-2110	9-1, 9-3
8856-1002	13-6, 8-1	8866-1113	13-9	8866-2119	9-3
8856-1003	5-2	8866-1118	5-4	8866-2120	8-4
8856-1004	2-1, 4-4, 8-3	8866-1180	4-4	8866-2124	9-1
8856-1006	5-3	8866-1206	9-1	8866-2174	13-1
8856-1009	2-1	8866-1245	9-2	8866-2180	10-9
8856-1105	2-1, 8-3, 3-3	8866-1305	6-11, 8-1	8866-2224	9-2
8856-1107	12-1, 13-20, 2-1, 5-1, 5-3, 5-4, 9-1, 9-6, 10-7	8866-1306	13-20	8866-2225	9-1, 9-2
8856-1108	12-2, 4-3, 5-4, 5-5, 5-7, 3-1, 3-2	8866-1342	8-2	8866-2239	13-20, 9-2, 8-2
8856-1109	13-16, 13-19, 2-1, 4-5, 5-1, 5-3, 7-3, 9-2, 9-3, 10-10, 3-1, 3-2	8866-1364	9-2	8866-2240	13-9, 8-4
8856-1111	2-1, 5-7, 7-3, 9-3, 10-20, 3-1, 3-2, 3-3	8866-1365	13-5, 9-2	8867-1001	13-11, 13-22, 2-4, 2-5, 4-2, 4-3, 10-6, 10-23, 3-2
8856-1113	13-7, 4-3, 7-1, 7-2	8866-1366	9-1	8867-1008	13-6, 13-7, 13-22, 6-10, 7-1, 7-2, 8-3, 3-3
8856-1119	2-5	8866-1367	9-1	8867-1022	13-16, 13-22, 2-5, 4-5, 10-6
8858-1140	13-6	8866-1385	13-5	8867-1027	9-3, 10-1, 10-3
8858-1323	13-22, 13-24, 2-5	8866-2003	9-3, 8-4	8867-1033	13-15, 13-17, 2-5, 9-7, 9-8, 10-1, 10-3, 10-4, 10-5
8859-1012	9-8	8866-2005	13-1, 13-20, 9-2, 8-2	8869-1345	11-3, 5-2
8859-1019	13-22, 2-5	8866-2006	9-2, 9-4, 9-8, 8-4	8870-1023	5-5
8859-1032	13-22, 13-24, 2-5	8866-2007	9-4	8871-1102	5-2
8859-1104	13-22, 2-5	8866-2008	13-1, 13-7, 9-5, 9-6, 9-7, 9-8	8871-1210	5-5
8859-1105	2-5	8866-2010	9-1, 9-3, 10-10	8871-1212	5-7
8859-1202	9-3, 8-4	8866-2011	9-1	8871-1255	5-7, 10-20
8859-1204	13-1, 13-20, 5-3, 6-11, 9-1, 9-2, 9-3, 9-4, 8-2	8866-2018	8-1, 8-2	8871-1280	13-22, 2-5
8859-1205	13-6, 13-11, 13-12, 9-2, 9-4, 9-7, 9-8, 8-1, 8-2, 8-4, 10-8	8866-2019	4-3	8871-1282	8-4
8859-1206	13-11, 13-12, 4-3, 9-1, 9-4, 10-8	8866-2020	9-7, 8-4	8871-1284	13-11
8859-1207	13-1, 13-7, 13-11, 13-12, 5-2, 5-4, 9-1, 9-5, 9-6, 9-7, 9-8, 8-4, 10-10	8866-2021	9-7	8871-1381	5-2, 9-1
8859-1209	13-11, 9-1, 9-3, 9-6, 10-10	8866-2022	13-7, 9-5, 9-7	8871-1383	11-3, 2-3, 5-2
8859-1210	9-1, 10-9	8866-2023	8-4	8871-2231	11-3, 5-2
8863-1301	13-7, 7-2	8866-2024	9-1	8871-2304	13-19
8863-1302	7-2	8866-2025	9-6	8874-3000	6-1
8863-1310	3-2	8866-2026	9-1	8874-3003	9-1, 8-4
8863-1318	7-3	8866-2027	9-1	8874-3036	9-1
8863-1479	7-1	8866-2028	9-1	8874-3041	6-1
		8866-2035	13-20, 9-4	8874-3042	9-1
		8866-2036	13-11, 13-12	8874-3055	6-1
		8866-2038	13-1, 9-5, 9-6	8882-1003	6-1
		8866-2060	13-11, 13-12	8882-1004	13-7, 7-2, 8-3
		8866-2061	13-11	8998-1036	11-3, 5-3
		8866-2064	13-1, 13-20, 6-11, 9-2, 9-3, 8-2	9000-7393	13-7
		8866-2065	13-6, 13-11, 13-12, 9-4, 8-2, 8-4		
		8866-2067	13-11, 13-12, 5-2, 5-4, 9-6, 10-10		
		8866-2069	9-1, 9-3		

INDEX

PART NUMBER	PAGE	PART NUMBER	PAGE	PART NUMBER	PAGE
9002-0247	2-5	9002-8958	13-7	9020-1439	6-15
9002-0397	7-4	9002-8959	9-3	9020-1441	6-15
9002-1552	13-7, 7-2	9002-8965	3-1, 3-2	9020-1443	13-9
9002-1584	7-3	9002-8968	13-7	9020-1452	6-15
9002-1608	3-2	9002-8977	7-3	9020-1562	8-3
9002-1705	13-6	9002-8978	13-7	9020-1615	6-15
9002-2043	13-7, 9-7	9002-8990	4-3	9020-1762	6-15
9002-2045	9-1	9002-9935	4-3	9020-1766	6-15
9002-2218	6-10	9002-9938	13-7	9020-1918	13-22, 2-5
9002-2234	2-5	9002-9939	9-7	9020-2141	6-15
9002-2280	13-13	9015-3001	13-16, 4-1, 4-2, 4-3, 4-4, 4-5	9020-2230	7-4
9002-3246	10-18	9020-0003	4-1, 4-5	9020-2303	13-3, 6-1
9002-6024	13-2	9020-0171	13-3	9020-2327	9-3
9002-6155	10-9	9020-0253	3-2	9020-2343	2-5, 9-3
9002-6491	12-2, 3-1	9020-0266	7-4	9020-2361	13-7, 7-2
9002-6965	4-3	9020-0290	13-7, 7-1, 7-2, 8-3	9020-2371	10-16
9002-7178	8-1	9020-0299	7-1	9020-2372	10-16
9002-7180	13-5, 13-9, 13-19, 9-7	9020-0313	13-5, 13-9, 13-19, 9-7	9020-2376	10-16
9002-7187	11-1, 13-1, 13-6, 13-7, 13-11, 5-3, 9-3, 8-1	9020-0339	6-15	9020-2377	10-16
9002-7214	13-3, 13-21, 2-2	9020-0349	13-2	9020-2378	10-16
9002-7267	6-3	9020-0352	13-3	9020-2379	10-16
9002-7315	13-2, 13-21	9020-0382	11-2	9020-2381	10-16
9002-7316	13-3	9020-0406	7-2	9020-2382	10-16
9002-7319	13-2, 13-21, 2-2, 7-1	9020-0434	11-1	9020-2389	10-16
9002-7469	5-1	9020-0440	6-13	9020-2390	10-16
9002-7470	2-5	9020-0445	12-2, 3-1	9020-2391	10-16
9002-7475	2-4	9020-0481	9-1	9020-2392	10-16
9002-7485	9-3	9020-0482	9-3	9020-2393	10-16
9002-7685	7-3	9020-0483	9-5	9020-2435	10-16
9002-7713	5-5	9020-0506	13-21	9020-2500	6-16
9002-7720	6-1	9020-0561	6-15	9020-2501	6-16
9002-7736	10-16	9020-0602	13-8, 4-2	9020-2886	11-3
9002-7906	9-3	9020-0638	7-2	9020-2926	9-4
9002-7908	7-3	9020-0679	2-3	9020-3039	3-2
9002-7913	9-4	9020-0680	13-21, 2-2	9020-3040	3-2
9002-7987	13-7, 7-2, 8-3	9020-0685	13-3	9020-3115	6-9
9002-8225	5-2, 9-3	9020-0688	12-2, 3-1	9020-3374	6-1
9002-8482	9-1, 9-2	9020-0755	13-2, 2-2	9020-3376	13-2, 13-21
9002-8499	9-4	9020-0772	6-15	9020-3437	10-25
9002-8641	6-4	9020-0774	13-7, 7-1	9020-3438	10-25
9002-8660	7-3	9020-0795	7-3	9020-3439	10-25
9002-8662	13-7, 7-1, 7-2, 8-3	9020-0807	5-6	9020-3440	10-25
9002-8674	5-7	9020-0811	11-2, 11-3, 5-2	9020-3502	7-1, 7-2
9002-8682	5-6	9020-1058	6-10	9020-3506	9-3
9002-8695	7-1	9020-1346	7-4	9020-3627	13-21, 2-2
9002-8720	9-1	9020-1347	7-4	9020-3840	13-21, 2-2
9002-8750	6-1	9020-1348	7-4	9020-3959	2-1, 3-1
9002-8935	2-4, 9-6, 9-8, 3-1	9020-1349	7-4	9020-4007	4-5
9002-8946	7-3	9020-1350	7-4	9020-4244	13-9, 13-16, 13-19, 4-3, 4-4, 4-5
9002-8956	13-7	9020-1414	5-6	9020-4245	13-9, 13-16, 13-19,

INDEX

PART NUMBER	PAGE	PART NUMBER	PAGE	PART NUMBER	PAGE
.....	4-3, 4-5	9020-4980	6-9	9020-6019	13-2, 2-2
9020-4730	6-4	9020-4981	6-9	9020-6023	13-2, 13-21, 2-2
9020-4731	6-4	9020-4983	6-9	9020-6024	13-2
9020-4732	5-1, 5-2, 6-4	9020-4984	6-9	9020-6025	13-2, 2-2
9020-4733	6-4	9020-4986	6-9	9020-6046	4-2, 4-3, 3-2
9020-4734	6-4	9020-4990	6-8	9020-6100	2-2
9020-4735	6-4	9020-4992	6-8	9020-6124	11-3, 5-2
9020-4737	6-4	9020-5002	5-3	9020-6131	2-3
9020-4738	6-4	9020-5031	5-1	9020-6132	13-3
9020-4740	6-4	9020-5032	5-1	9020-6133	13-3, 2-3
9020-4741	6-4	9020-5047	6-4	9020-6134	13-21, 2-3
9020-4744	6-4	9020-5056	6-8	9020-6169	13-21
9020-4748	6-4	9020-5057	6-8	9020-6170	13-21
9020-4749	6-4	9020-5058	6-9	9020-6194	13-1, 2-1
9020-4755	6-2	9020-5121	4-3	9020-6196	2-1
9020-4756	6-2	9020-5205	11-3, 5-3	9020-6200	2-1
9020-4767	6-2	9020-5222	10-20	9020-6262	5-1, 5-2, 5-6
9020-4779	6-2	9020-5223	5-7	9020-6312	13-2
9020-4784	6-2	9020-5497	3-1, 3-2	9020-6374	13-2
9020-4787	6-4	9020-5533	13-7, 7-2	9020-6377	6-4
9020-4788	6-4	9020-5534	7-2	9020-6378	6-2
9020-4790	6-4	9020-5542	7-1	9020-6379	6-2
9020-4793	6-4	9020-5558	7-2	9020-6382	6-4
9020-4798	6-3, 6-6	9020-5580	7-2	9020-6385	6-2
9020-4799	6-3	9020-5663	5-5, 5-6	9020-6386	6-2
9020-4800	6-3	9020-5685	11-1	9020-6394	6-6
9020-4802	6-3	9020-5686	11-1	9020-6395	6-6
9020-4804	6-3	9020-5687	11-1	9020-6396	6-6
9020-4806	6-3	9020-5688	11-1, 11-3	9020-6403	6-7
9020-4807	6-3	9020-5716	10-16	9020-6413	10-7
9020-4809	6-3	9020-5730	2-1	9020-6415	10-7
9020-4817	6-3, 6-5, 6-6	9020-5731	2-3	9020-6417	10-7
9020-4820	6-8	9020-5746	2-1	9020-6418	10-7
9020-4823	6-3	9020-5759	7-2	9020-6419	10-7
9020-4824	6-3	9020-5765	7-2	9020-6420	10-7
9020-4829	6-6	9020-5776	9-2	9020-6421	10-7
9020-4831	6-6	9020-5783	9-1	9020-6422	10-7, 10-9
9020-4842	6-6	9020-5792	9-1, 9-6	9020-6423	10-7, 10-9
9020-4855	6-5	9020-5793	9-2	9020-6427	10-7
9020-4862	6-6	9020-5846	2-2	9020-6428	10-7
9020-4935	6-5, 6-7	9020-5870	13-16, 13-19, 4-5,	9020-6429	10-7
9020-4938	6-7	3-1, 3-2	9020-6430	10-7
9020-4939	6-6, 6-7	9020-5886	13-21, 2-2	9020-6431	10-7
9020-4944	6-5, 6-7	9020-5888	13-21, 2-2	9020-6544	6-10
9020-4957	6-9	9020-5891	2-4, 6-11	9020-6545	6-10
9020-4959	6-9	9020-5918	5-4	9020-6546	6-10
9020-4964	6-9	9020-5973	7-1	9020-6548	10-8
9020-4966	6-9	9020-6003	9-4	9020-6549	10-8
9020-4968	6-9	9020-6016	13-2	9020-6550	10-8
9020-4969	6-9	9020-6017	2-2	9020-6552	10-8
9020-4973	11-3	9020-6018	2-2	9020-6553	10-8

INDEX

PART NUMBER	PAGE	PART NUMBER	PAGE	PART NUMBER	PAGE
9020-6554	10-8	9020-7690	9-1	9020-8165	10-23
9020-6555	10-8	9020-7710	3-2	9020-8166	10-23
9020-6556	10-8	9020-7717	11-3	9020-8167	10-23
9020-6557	10-8	9020-7719	11-3, 13-20, 9-1	9020-8168	10-23
9020-6558	10-8	9020-7727	9-8	9020-8169	10-23
9020-6559	10-8	9020-7728	9-8	9020-8170	10-23
9020-6560	10-8	9020-7729	9-8	9020-8171	10-23
9020-6561	10-8	9020-7730	9-8	9020-8172	10-23
9020-6562	10-8	9020-7790	4-2	9020-8173	10-23
9020-6564	10-8	9020-7801	7-3	9020-8174	10-23
9020-6567	7-4	9020-7842	8-2	9020-8175	10-23
9020-6606	5-6	9020-7872	6-9, 9-1	9020-8176	10-23
9020-6613	2-2	9020-7878	4-3, 10-23	9020-8177	10-23
9020-6737	9-1, 10-9	9020-7879	4-3, 10-24	9020-8178	10-23
9020-6739	11-3, 5-3, 9-1, 9-2, 10-11	9020-7880	4-3	9020-8179	10-23
9020-6748	9-2, 10-16	9020-7881	4-3	9020-8180	10-23
9020-6750	9-3	9020-7882	13-9, 4-3	9020-8181	10-23
9020-6762	7-4, 9-4	9020-7884	4-2, 4-3	9020-8182	10-23
9020-6846	2-5	9020-7902	3-3	9020-8183	10-23
9020-6847	9-8	9020-8066	10-11	9020-8184	10-23
9020-6859	7-1	9020-8067	10-11	9020-8185	10-23
9020-6861	7-1, 7-2	9020-8071	10-11	9020-8186	10-23
9020-6886	3-2	9020-8072	10-11	9020-8187	10-23
9020-6887	3-2	9020-8136	10-7	9020-8188	10-23
9020-6888	13-5, 13-9, 13-19, 9-7	9020-8137	10-9	9020-8189	10-23
9020-6892	9-5, 9-7, 3-1, 3-2	9020-8139	10-9	9020-8190	10-23
9020-7029	3-1	9020-8140	10-9	9020-8193	10-16
9020-7030	3-1, 3-2	9020-8141	10-9	9020-8194	10-16
9020-7041	13-5, 13-9, 13-19, 9-7	9020-8142	10-23	9020-8196	10-16
9020-7043	3-2	9020-8143	10-23	9020-8197	10-16
9020-7046	9-7, 3-2, 3-3	9020-8144	10-23	9020-8198	10-16
9020-7215	3-2	9020-8145	10-23	9020-8203	10-24
9020-7219	6-1	9020-8146	10-23	9020-8204	10-24
9020-7256	6-1	9020-8147	10-23	9020-8205	10-24
9020-7257	6-1	9020-8148	10-9, 10-23	9020-8206	10-24
9020-7258	6-1	9020-8149	10-23	9020-8207	10-24
9020-7290	9-3	9020-8150	10-23	9020-8208	10-24
9020-7302	3-2	9020-8151	10-23	9020-8209	10-24
9020-7352	2-4, 9-6, 3-1	9020-8152	10-23	9020-8210	10-24
9020-7360	8-4	9020-8153	10-23	9020-8211	10-24
9020-7365	9-2	9020-8154	10-23	9020-8212	10-24
9020-7372	9-3	9020-8155	10-23	9040-0543	7-2
9020-7386	9-7	9020-8156	10-23	9040-0654	11-3, 5-7
9020-7458	2-1	9020-8157	10-23	9040-0706	13-3
9020-7463	13-19, 9-7	9020-8158	10-23	9040-2427	11-3, 5-3
9020-7488	12-1	9020-8159	10-23	9040-2477	4-1
9020-7497	11-3, 5-1, 5-3	9020-8160	10-23	9040-2478	4-1
9020-7599	9-2	9020-8161	10-23	9040-2642	6-1
9020-7622	5-4	9020-8162	10-23	9040-2827	5-7
9020-7630	11-3	9020-8163	10-23	9040-2875	9-5
		9020-8164	10-23	9040-2876	9-8

INDEX

PART NUMBER	PAGE	PART NUMBER	PAGE	PART NUMBER	PAGE
9040-2903	7-1	9080-1213	7-1		3-1, 3-2
9040-2948	4-2, 4-3	9080-1238	13-21, 2-2	9103-1237	3-1, 3-2
9040-3025	13-2	9080-1303	2-4	9103-1243	2-4
9040-3032	2-2	9080-1314	4-1	9103-1260	2-1
9040-3033	2-2	9080-1315	4-1	9103-1261	2-1
9040-3034	2-2	9080-1349	3-2	9103-1277	13-4
9040-3035	2-2	9080-1353	4-2, 4-3	9103-1278	13-4
9040-3036	2-2	9100-3016	12-2	9103-1363	2-1
9040-3056	4-3	9100-3018	12-2	9103-1365	2-1
9040-3082	13-21, 2-2	9100-3020	12-2	9103-1371	3-1
9040-3109	13-2	9100-3030	12-1	9103-1373	3-2
9040-3203	3-2	9100-3031	12-2	9103-1374	3-2
9040-3212	9-6, 3-1	9100-3039	12-1	9103-1388	7-3
9040-3249	13-5, 13-9, 13-19, 9-7	9100-3040	12-1	9103-1389	3-1
9040-3349	6-1	9100-3044	12-1	9103-1395	5-1
9040-3350	3-2	9100-3052	12-1	9103-1404	5-1
9040-3352	2-1, 3-1	9100-3053	13-21	9103-1439	2-1
9040-3396	13-7	9100-3186	5-7	9103-1440	2-5
9040-3406	7-1	9100-4021	6-18	9103-1445	3-2
9040-3419	10-20	9100-6016	5-4	9103-1456	2-1
9040-3432	11-2	9100-6017	5-4	9103-1457	2-1
9040-3437	4-2, 4-3	9102-1009	13-9	9103-1463	7-1
9041-0229	2-2	9102-3006	13-11	9103-1464	13-7
9041-0294	10-20	9103-1007	13-9	9103-1465	13-7
9041-0295	10-20	9103-1009	2-5	9103-1470	7-1
9045-1047	4-2, 4-3	9103-1013	7-1	9103-1486	13-21
9045-3006	4-4	9103-1014	2-4, 6-11	9103-1490	13-21
9045-3007	4-4	9103-1041	5-1, 9-1	9103-1494	13-21
9045-3016	4-3	9103-1042	5-5	9103-1507	13-21
9045-5007	4-1	9103-1045	5-1	9103-1521	13-21
9045-5008	4-1	9103-1067	2-1	9103-1530	13-21
9045-5011	4-2	9103-1069	13-19	9103-3011	12-1
9045-5012	4-3	9103-1075	2-1	9103-3018	12-2
9045-5035	4-4	9103-1079	5-2	9103-3023	12-2
9045-5037	4-4	9103-1086	9-3	9103-3028	5-5, 5-6
9045-5049	4-1	9103-1087	7-3	9103-3029	2-1
9045-6002	4-4	9103-1088	7-3	9103-3032	9-7, 8-1
9055-5020	4-1	9103-1096	2-4	9103-3038	3-3
9060-0097	6-1	9103-1111	3-2	9103-3040	10-9
9060-0267	7-4	9103-1136	3-2, 3-3	9103-3042	11-2, 11-3
9060-0273	7-4	9103-1140	13-11	9103-3043	9-8
9060-0274	7-4	9103-1141	13-11	9103-3049	5-2
9060-1762	9-2	9103-1152	5-1	9103-3050	9-2
9060-2040	6-15	9103-1154	5-5	9103-3053	4-5, 5-1
9060-2638	6-15	9103-1163	13-11, 3-1	9103-3054	5-7
9060-2706	4-3, 10-25	9103-1194	6-10	9103-3055	5-5
9060-2838	3-2	9103-1197	11-3, 5-2	9103-3056	5-5
9060-2842	3-1	9103-1233	3-2	9103-3058	5-5
9060-2885	2-1	9103-1234	3-1	9103-3059	5-5
9060-2904	4-2, 4-3	9103-1235	3-1, 3-2	9103-3060	5-5
9060-2905	4-2, 4-3	9103-1236	13-16, 13-19, 4-5,	9103-3061	5-4

INDEX

PART NUMBER	PAGE	PART NUMBER	PAGE	PART NUMBER	PAGE
9103-3062	5-4	9103-3230	13-9	9103-3396	12-1
9103-3063	5-4	9103-3234	11-3, 5-1, 5-2	9103-3399	4-4
9103-3069	9-1	9103-3239	13-7	9103-3407	5-3
9103-3073	9-1	9103-3240	9-1, 9-2, 9-4, 10-8	9103-3416	11-1, 8-2
9103-3074	5-1	9103-3246	5-1, 5-2	9103-3417	13-7
9103-3077	2-1	9103-3247	11-1	9103-3418	12-1
9103-3079	11-3, 5-3	9103-3248	5-1	9103-3425	13-7
9103-3084	11-1	9103-3250	13-4	9103-3430	10-1, 10-3
9103-3086	11-2, 11-3	9103-3251	13-4	9103-3431	12-1
9103-3089	12-1	9103-3252	13-4	9103-3439	8-3
9103-3096	9-2, 8-2, 10-13	9103-3254	5-4	9103-3444	13-22, 2-5
9103-3097	11-3, 9-1, 9-2, 10-19	9103-3255	12-1	9103-3445	13-22, 2-5
9103-3100	9-1	9103-3256	5-1	9103-3459	13-16
9103-3102	12-1, 2-1	9103-3257	9-1	9103-3464	13-21, 2-2
9103-3104	6-15	9103-3258	5-1, 5-2	9103-3465	13-21, 2-2
9103-3111	11-1	9103-3268	5-1	9103-3467	6-15
9103-3112	11-1	9103-3270	11-3	9103-3478	10-6
9103-3125	9-1	9103-3277	12-1	9103-3481	9-3
9103-3127	13-13	9103-3279	12-1	9103-3482	10-26
9103-3128	8-4	9103-3281	7-3	9103-3483	13-20
9103-3131	5-3, 5-7	9103-3282	11-1, 6-1	9103-3485	2-1
9103-3132	5-4	9103-3283	11-3, 5-2, 6-1	9103-3487	13-20
9103-3133	5-1	9103-3296	9-1, 9-7, 10-7	9103-3488	13-20
9103-3134	5-1	9103-3304	10-4	9103-3499	13-23
9103-3136	5-1, 5-2	9103-3310	7-1	9103-3504	6-16
9103-3137	5-4	9103-3317	11-1	9103-4005	5-1, 5-2
9103-3138	13-11, 9-1	9103-3318	10-18, 10-20	9103-4006	5-1, 5-2
9103-3139	11-3	9103-3319	5-2, 6-1	9103-4007	10-18
9103-3140	13-11	9103-3320	12-1	9103-4008	10-18
9103-3141	13-11	9103-3323	11-3, 5-1	9103-4009	10-18
9103-3142	9-1	9103-3329	5-1	9103-4010	10-18
9103-3144	13-12	9103-3359	6-11	9103-4011	10-19
9103-3161	13-9	9103-3361	6-15	9103-4012	10-19
9103-3168	13-7	9103-3362	12-1	9103-4013	10-19
9103-3184	3-1, 3-2	9103-3367	10-5	9103-4014	10-19
9103-3185	3-1	9103-3368	10-2	9103-4015	10-19
9103-3186	13-19, 4-5, 3-1, 3-2	9103-3369	9-7, 10-3	9103-4016	10-19
9103-3187	3-2	9103-3371	10-1	9103-4017	10-19
9103-3188	3-1	9103-3373	6-11	9103-4018	8-2, 10-13
9103-3189	3-1	9103-3374	6-11	9103-4033	2-2
9103-3190	3-1, 3-2	9103-3378	8-2, 10-22	9103-4058	10-15
9103-3196	13-9, 13-10	9103-3381	5-1	9103-4059	10-15
9103-3198	13-11	9103-3382	6-16	9103-4062	10-15
9103-3199	13-11	9103-3383	11-1	9103-4063	10-15
9103-3200	13-11	9103-3387	13-7	9103-4070	10-7
9103-3201	13-11	9103-3390	6-10	9103-4072	10-7
9103-3202	11-3	9103-3391	13-7	9103-4074	10-7
9103-3214	2-1	9103-3392	12-2	9103-4098	2-3
9103-3218	12-2	9103-3393	12-2	9103-4102	10-7
9103-3224	9-8	9103-3394	13-7	9103-4104	10-7
9103-3226	5-3, 9-1, 10-14	9103-3395	12-1	9103-4107	13-14

INDEX

PART NUMBER	PAGE	PART NUMBER	PAGE	PART NUMBER	PAGE
9103-4109	13-14	9103-4186	13-10	9103-4255	6-4, 6-5, 6-6
9103-4110	10-12	9103-4187	13-10	9103-4256	6-5
9103-4111	13-14	9103-4188	13-10	9103-4257	6-6
9103-4112	13-14, 10-12	9103-4189	13-10	9103-4258	6-6
9103-4113	13-14, 10-12	9103-4190	13-10	9103-4259	6-6
9103-4114	13-14, 10-12	9103-4191	13-10	9103-4260	6-3, 6-9, 9-1
9103-4115	13-14, 10-12	9103-4192	13-10	9103-4261	6-9
9103-4116	13-14, 10-12	9103-4193	13-10	9103-4262	6-9
9103-4117	13-14, 10-12	9103-4194	13-10	9103-4263	6-8
9103-4118	13-14	9103-4195	13-10	9103-4264	6-8
9103-4119	13-14	9103-4196	13-10	9103-4272	10-12
9103-4120	13-14	9103-4197	13-10	9103-4273	10-12
9103-4121	13-14	9103-4198	13-10	9103-4278	10-1, 10-3, 10-4
9103-4124	13-12	9103-4199	13-10	9103-4279	10-1
9103-4125	13-12	9103-4200	13-10	9103-4280	10-1, 10-3, 10-4
9103-4126	13-12	9103-4201	13-10	9103-4281	10-1, 10-3, 10-4
9103-4127	13-12	9103-4202	13-10	9103-4282	10-1, 10-3
9103-4128	13-12	9103-4203	13-10	9103-4283	10-1
9103-4129	13-12	9103-4204	13-10	9103-4286	13-15, 10-2, 10-5
9103-4130	13-12	9103-4205	13-10	9103-4290	10-2
9103-4131	13-12	9103-4206	13-10	9103-4291	10-2, 10-5
9103-4132	13-12	9103-4207	13-10	9103-4292	10-2
9103-4133	13-12	9103-4208	13-10	9103-4293	10-2
9103-4134	13-12	9103-4209	13-10	9103-4294	10-2
9103-4135	13-12	9103-4210	13-10	9103-4295	10-3
9103-4159	10-7	9103-4211	13-10	9103-4296	10-3
9103-4160	5-4	9103-4212	13-10	9103-4297	10-5
9103-4161	13-10	9103-4213	13-10	9103-4298	10-5
9103-4162	13-10	9103-4214	13-10	9103-4299	10-5
9103-4164	13-10	9103-4215	13-10	9103-4301	10-6
9103-4165	13-10	9103-4216	13-10	9103-4302	10-6
9103-4166	13-10	9103-4217	13-10	9103-4303	10-6
9103-4167	13-10	9103-4236	10-7	9103-4304	10-6
9103-4168	13-10	9103-4237	10-7	9103-4305	10-6
9103-4169	13-10	9103-4238	6-2	9103-4308	9-5, 9-6, 10-2
9103-4170	13-10	9103-4239	6-2	9103-4309	6-14
9103-4171	13-10	9103-4240	6-2	9103-4311	6-10
9103-4172	13-10	9103-4241	6-2	9103-4314	10-4
9103-4173	13-10	9103-4242	6-2	9103-4315	10-14
9103-4174	13-10	9103-4243	6-2	9103-4316	10-14
9103-4175	13-10	9103-4244	6-2	9103-4317	10-14
9103-4176	13-10	9103-4245	6-3	9103-4318	10-14
9103-4177	13-10	9103-4246	6-2, 6-3	9103-4319	10-14
9103-4178	13-10	9103-4247	6-4	9103-4320	10-14
9103-4179	13-10	9103-4248	6-4	9103-4321	10-14
9103-4180	13-10	9103-4249	6-4	9103-4322	10-14
9103-4181	13-10	9103-4250	6-4	9103-4323	10-14
9103-4182	13-10	9103-4251	6-4	9103-4324	10-14
9103-4183	13-10	9103-4252	6-4	9103-4326	6-1
9103-4184	13-10	9103-4253	6-4	9103-4327	6-1
9103-4185	13-10	9103-4254	6-4	9103-4328	6-13

INDEX

PART NUMBER	PAGE	PART NUMBER	PAGE	PART NUMBER	PAGE
9103-4329	10-18	9103-5093	5-7	9104-1451	13-22, 2-5
9103-4330	10-18	9103-5096	2-1	9104-1459	13-22, 2-5
9103-4331	6-4	9103-5101	13-8	9104-1481	13-22, 2-5
9103-4332	10-1, 10-3, 10-4, 10-5	9103-5105	13-4	9104-1489	13-22
9103-4343	10-26	9103-5112	11-3, 6-1	9104-1510	2-1
9103-4344	10-26	9103-5133	13-5	9104-1520	8-3
9103-4346	10-26	9103-5141	5-1, 5-2	9104-1521	8-3
9103-4347	10-26	9103-5147	3-2	9104-1522	8-3
9103-4348	10-26	9103-5196	13-11	9104-1536	8-3
9103-4349	10-26	9103-5208	6-11	9104-1554	11-3
9103-4350	10-26	9103-5220	13-7	9104-1596	13-22, 2-5
9103-4351	10-26	9103-5221	13-7	9104-1598	13-22, 2-5
9103-4352	10-26	9103-5222	13-7	9104-1632	11-1
9103-4353	10-26	9103-5236	13-6	9104-1731	13-22
9103-4354	10-26	9103-5240	13-22, 2-5	9104-1732	13-22, 2-5
9103-4355	10-26	9103-5261	13-21	9104-1733	13-22
9103-4356	10-26	9103-5266	13-20	9104-3032	6-10
9103-4357	10-26	9103-6001	3-2	9104-3064	13-1
9103-4358	10-26	9103-6002	9-1, 9-2, 10-20	9104-3065	13-1
9103-4359	10-26	9103-6003	10-20	9104-3077	8-2
9103-4360	10-26	9103-6008	6-1	9104-3081	6-15
9103-4361	10-26	9103-6009	5-1	9104-3090	8-2, 10-22
9103-4362	10-26	9103-6012	5-1	9104-3091	8-1
9103-4363	10-26	9103-6016	2-1	9104-3095	13-1, 9-5
9103-4364	10-26	9103-6022	7-3	9104-3096	13-1, 9-5
9103-4365	10-26	9103-6032	13-11	9104-3100	13-19, 9-7, 3-2
9103-4366	10-26	9103-6036	3-1	9104-3101	13-5, 13-9, 3-2
9103-4367	10-26	9103-6037	3-2	9104-3113	9-3
9103-4368	10-26	9103-6041	13-11	9104-3114	9-3
9103-4369	10-26	9103-6042	7-1	9104-3115	9-3
9103-4370	10-26	9103-6047	5-7	9104-3116	9-3
9103-4371	10-26	9103-6051	5-4	9104-3123	13-6
9103-4378	10-26	9103-6069	3-2	9104-3125	13-9, 13-16, 13-19, 4-3, 4-5
9103-4379	10-26	9103-6070	3-1	9104-3126	13-9, 13-16, 13-19, 4-3, 4-4, 4-5
9103-4380	10-26	9103-6072	5-1	9104-3129	12-1
9103-4381	10-26	9103-6079	2-1	9104-3131	8-2
9103-4382	10-26	9103-6099	5-1	9104-3134	12-2
9103-4383	10-26	9103-6107	13-7	9104-3135	12-2
9103-4385	6-16	9103-6119	13-21	9104-3136	12-2
9103-4386	6-16	9104-0002	2-1	9104-3143	8-2
9103-4387	6-16	9104-1227	13-6	9104-3144	13-6, 9-2
9103-4388	6-16	9104-1236	7-2	9104-3145	9-2
9103-4389	6-16	9104-1258	8-1	9104-3146	6-11, 6-14, 6-15
9103-4390	6-16	9104-1365	3-2, 3-3	9104-3147	9-2
9103-4396	5-7	9104-1387	9-8	9104-3153	9-1
9103-5007	13-3	9104-1403	2-5	9104-3163	8-2
9103-5018	13-19	9104-1431	8-3	9104-3189	8-1
9103-5067	13-9	9104-1438	13-22, 2-5	9104-3190	8-1
9103-5068	11-1, 7-1	9104-1439	13-22, 2-5	9104-3195	9-7
9103-5079	13-9	9104-1449	13-22, 2-5		
9103-5090	13-12	9104-1450	13-22, 2-5		

INDEX

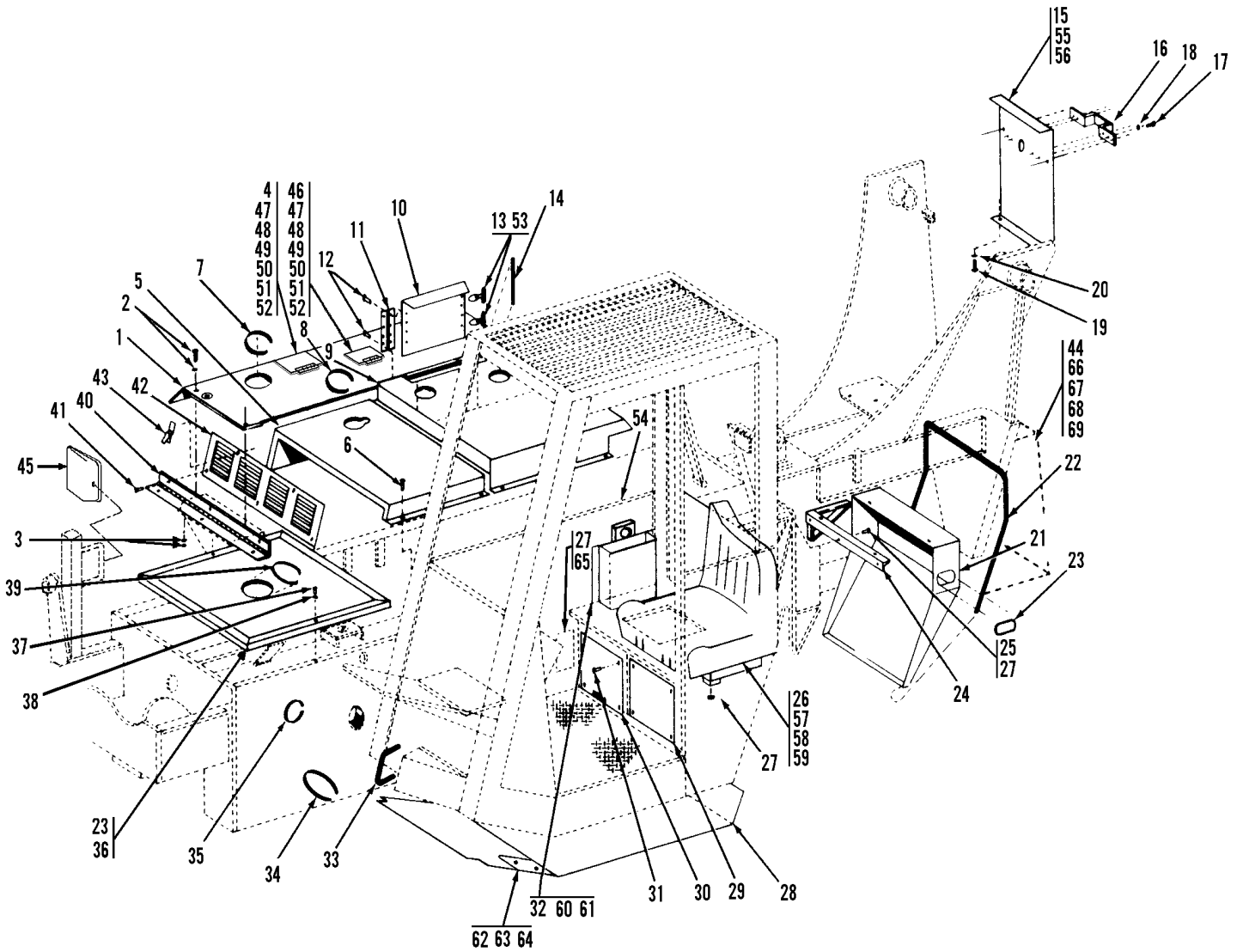
PART NUMBER	PAGE	PART NUMBER	PAGE	PART NUMBER	PAGE
9104-3196	13-7	9104-4072	13-13	9104-4180	6-14
9104-3199	13-6	9104-4073	13-13	9104-4181	6-14
9104-3206	12-1	9104-4099	6-16	9104-4183	6-14
9104-3209	12-1	9104-4101	6-16	9104-4184	6-14
9104-3210	12-1	9104-4105	6-16	9104-4185	6-14
9104-3211	12-1	9104-4106	6-16	9104-4186	6-14
9104-3214	8-3	9104-4107	6-16	9104-4187	6-14
9104-3215	12-1	9104-4109	6-16	9104-4189	6-14
9104-3222	13-22, 2-5	9104-4111	6-16, 10-12	9104-4191	6-14
9104-3246	10-6	9104-4112	6-16	9104-4192	6-14
9104-3247	13-22, 2-5	9104-4113	6-16	9104-4193	6-14
9104-3258	13-14	9104-4114	10-7	9104-4194	6-14
9104-3264	10-10	9104-4126	10-22	9104-4195	6-14
9104-3276	6-15	9104-4127	10-22	9104-4196	6-14
9104-3291	6-11	9104-4128	10-22	9104-4197	6-14
9104-3292	6-15	9104-4129	10-22	9104-4200	6-14
9104-3293	8-1	9104-4130	10-22	9104-4201	6-14
9104-3294	8-1	9104-4138	6-12	9104-4203	6-14
9104-3296	8-4, 10-17	9104-4139	6-12	9104-4204	6-14
9104-3297	5-2, 9-1, 10-15	9104-4140	6-12	9104-4222	10-16
9104-3298	6-15	9104-4141	6-12	9104-4276	6-16
9104-3303	13-15	9104-4142	6-12	9104-4277	6-16
9104-3304	9-7	9104-4143	6-12	9104-4278	6-16
9104-3307	9-3	9104-4145	6-13	9104-4279	6-16
9104-3308	9-3	9104-4147	6-13	9104-4280	6-16
9104-3309	9-3	9104-4150	6-13	9104-4297	10-22
9104-3310	9-3	9104-4151	6-13	9104-4298	6-14
9104-3311	9-3	9104-4152	6-13	9104-4300	10-5
9104-3312	9-3	9104-4153	6-13	9104-4304	13-14
9104-3316	9-4, 10-6	9104-4154	6-13	9104-4305	13-14
9104-3321	13-19	9104-4155	6-13	9104-4306	13-14
9104-3429	13-21	9104-4156	6-13	9104-4307	13-14
9104-3430	6-15	9104-4157	6-13	9104-4308	13-14
9104-3431	13-20	9104-4158	6-13	9104-4309	13-14
9104-3437	13-21	9104-4159	6-13	9104-4311	6-16
9104-3494	13-22	9104-4161	6-13	9104-4313	10-4
9104-4002	13-18, 10-10	9104-4163	6-13	9104-4315	10-4
9104-4008	6-10	9104-4164	6-13	9104-4330	13-15
9104-4009	6-10	9104-4166	6-14	9104-4331	13-15
9104-4010	6-10	9104-4167	6-14	9104-4332	13-15
9104-4012	10-10	9104-4168	6-14	9104-4333	13-15
9104-4050	6-3	9104-4169	6-14	9104-4334	13-15
9104-4051	6-3	9104-4170	6-14	9104-4335	6-14
9104-4052	6-3	9104-4171	6-14	9104-4341	10-10
9104-4065	13-13	9104-4173	6-14	9104-4342	10-10
9104-4066	13-13	9104-4174	6-14	9104-4343	10-10
9104-4067	13-13	9104-4175	6-14	9104-4344	10-10
9104-4068	13-13	9104-4176	6-14	9104-4345	10-10
9104-4069	13-13	9104-4177	6-14	9104-4353	13-15
9104-4070	13-13	9104-4178	6-14	9104-4355	10-15
9104-4071	13-13	9104-4179	6-14	9104-4357	10-15

INDEX

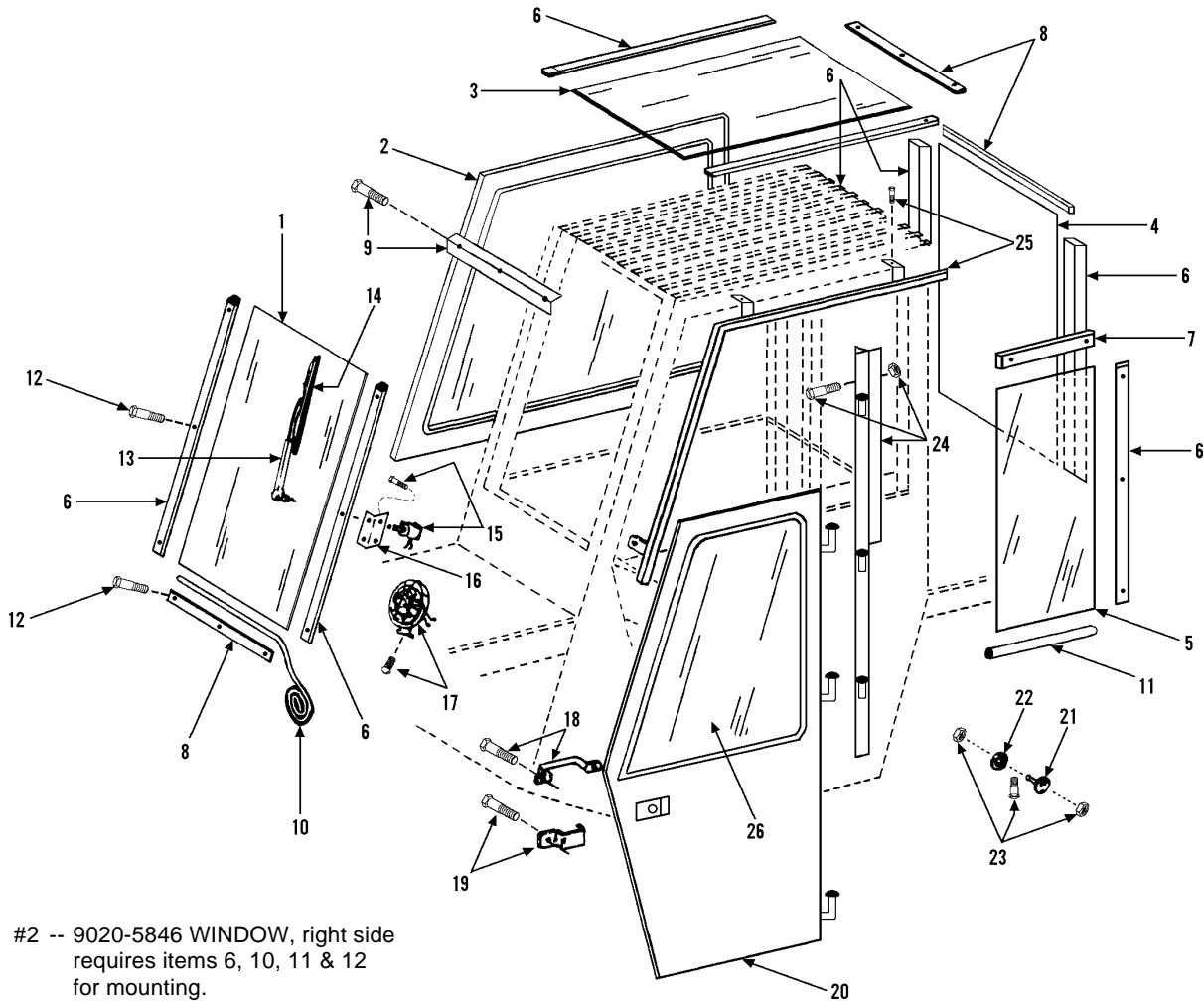
PART NUMBER	PAGE	PART NUMBER	PAGE	PART NUMBER	PAGE
9104-4358	10-15	9104-4417	6-17	9104-5095	3-3
9104-4359	10-15	9104-4418	6-17	9104-5097	11-3, 9-2, 10-10
9104-4360	6-16	9104-4419	6-12, 6-17	9104-5129	13-22
9104-4361	6-16	9104-4420	6-17	9104-5152	13-22, 2-5
9104-4368	10-6	9104-4421	6-17	9104-5173	13-1
9104-4370	10-1	9104-4422	6-12	9104-6047	13-1
9104-4372	6-13	9104-4423	6-12	9104-6051	13-7, 7-2
9104-4373	6-13	9104-4424	6-12	9104-6056	13-1
9104-4374	6-13	9104-4425	6-12	9104-6101	8-3
9104-4375	6-13	9104-4426	6-12	9104-6104	8-3
9104-4376	6-13	9104-4427	6-18	9104-6110	13-11
9104-4377	6-13	9104-4428	6-18	9104-6111	13-11
9104-4378	6-13	9104-4429	6-18	9104-6126	13-22
9104-4379	6-13	9104-4430	6-18	9105-1390	13-19
9104-4380	6-13	9104-4431	6-18	9105-3354	10-12
9104-4381	6-13	9104-4432	6-18	9105-3380	8-4
9104-4382	6-13	9104-4433	6-18	9105-3540	6-18
9104-4383	6-14	9104-4434	6-18	9105-4003	8-4
9104-4384	6-14	9104-4435	6-18	9105-6106	5-7
9104-4385	6-14	9104-4436	6-18	9106-3047	12-1
9104-4386	6-14	9104-4437	6-18	9106-4005	6-16
9104-4387	6-14	9104-4438	6-18	9106-4006	6-16
9104-4388	6-14	9104-4439	6-18	9106-4007	6-16
9104-4389	6-14	9104-4440	6-18	9106-4057	10-21
9104-4390	6-14	9104-4441	10-15	9106-6020	7-2
9104-4391	6-14	9104-4442	10-15	9106-6021	7-2
9104-4392	6-14	9104-4443	10-15	9108-1176	6-11
9104-4393	6-14	9104-4444	6-11, 6-12	9108-1313	13-16, 4-5
9104-4394	6-14	9104-4445	6-12	9108-1382	2-5
9104-4395	6-14	9104-4446	6-12	9108-1384	2-5
9104-4396	6-14	9104-4447	6-12	9108-1387	2-5
9104-4397	6-14	9104-4448	6-11, 6-13	9108-1415	13-22, 2-5
9104-4398	6-14	9104-4449	6-13	9108-1461	2-5
9104-4399	6-14	9104-4450	6-13	9108-1522	13-22
9104-4400	6-14	9104-4451	6-13	9108-1523	13-22
9104-4401	6-14	9104-4452	6-13	9108-1554	13-16, 4-5
9104-4402	6-14	9104-4453	6-14	9108-1577	13-16, 4-5
9104-4403	6-17	9104-4458	6-14	9108-1590	13-16
9104-4404	6-17	9104-4459	6-14	9108-1594	13-16, 4-5
9104-4405	6-17	9104-4460	6-14	9108-1599	13-21
9104-4406	6-17	9104-4461	6-14	9108-1622	13-16, 4-5
9104-4407	6-17	9104-4462	6-16	9108-1693	13-22, 13-24, 2-5
9104-4408	6-17	9104-4475	13-6	9108-1695	13-22, 2-5
9104-4409	6-17	9104-4524	10-2	9108-3059	13-16
9104-4410	6-17	9104-4538	10-17	9108-3154	13-1, 8-1, 8-2, 10-21
9104-4411	6-17	9104-4539	10-17	9108-3221	11-1
9104-4412	6-17	9104-4540	10-17	9108-3239	8-4, 10-17
9104-4413	6-17	9104-5027	2-1	9108-3248	13-16, 4-5
9104-4414	6-17	9104-5033	11-1	9108-3259	11-1
9104-4415	6-17	9104-5034	13-6	9108-3262	13-18
9104-4416	6-17	9104-5035	11-3	9108-3286	13-17

INDEX

PART NUMBER	PAGE	PART NUMBER	PAGE	PART NUMBER	PAGE
9108-3376	13-21	9108-4109	6-14	9112-3037	12-2
9108-3385	6-15	9108-4112	6-14	9112-3038	12-2
9108-4045	6-12	9108-4113	6-13, 6-14	9112-3042	12-2
9108-4046	6-12	9108-4114	6-14	9112-3043	12-2
9108-4047	6-12	9108-4126	6-14	9112-3044	12-2
9108-4048	6-12	9108-4176	13-17, 10-1, 10-3, 10-4, 10-5	9112-3045	12-2
9108-4049	6-12	9108-4184	13-17	9112-4015	6-16
9108-4050	6-12	9108-4185	13-17	9112-4017	6-16
9108-4051	6-12, 6-13	9108-4186	13-17	9112-4018	6-16
9108-4052	6-12	9108-4187	13-17	9112-4019	6-16
9108-4053	6-13	9108-4188	13-17	9112-4027	6-16
9108-4054	6-13	9108-4189	13-17	9112-4096	13-23
9108-4056	6-13	9108-4194	10-6	9112-4107	2-1
9108-4059	6-13	9108-4219	13-17	9114-1424	13-22, 13-24, 2-5
9108-4065	6-13	9108-4220	13-17	9114-4006	13-23
9108-4066	6-13	9108-4221	13-17	9114-4038	13-23
9108-4067	6-13	9108-4222	13-17	9114-4039	13-23
9108-4068	6-13	9108-4223	13-17	9114-4040	13-23
9108-4069	6-13	9108-4224	13-17	9114-4041	13-23
9108-4070	6-13	9108-4225	13-17	9114-4042	13-23
9108-4071	6-13	9108-4226	13-17	9114-4125	13-23
9108-4072	6-13	9108-4227	13-18	9114-4128	13-23
9108-4073	6-13	9108-4228	13-18	9114-4175	6-16
9108-4074	6-13	9108-5049	3-3	9114-4176	6-16
9108-4076	6-13	9108-5058	13-16	9114-4177	6-16
9108-4077	6-13	9108-5071	13-20	9114-4178	6-16
9108-4078	6-13	9108-5091	3-3	9114-4179	6-16
9108-4079	6-13	9108-6073	3-3	9114-4180	6-16
9108-4081	6-13	9108-6074	3-3	9114-4181	6-16
9108-4082	6-13	9108-6082	2-5	9114-4182	6-16
9108-4083	6-13	9108-6083	2-5	9114-4183	6-16
9108-4084	6-13	9108-6121	13-16	9114-4188	6-16
9108-4085	6-13	9108-6122	13-16, 4-5	9114-4189	6-16
9108-4086	6-13	9108-6151	3-3	9114-4267	13-23
9108-4087	6-13	9108-6152	3-3	9114-5134	13-24
9108-4088	6-13	9111-3003	13-6	9114-5135	13-24
9108-4089	6-13	9112-0003	13-22, 2-5	9114-5136	13-24
9108-4090	6-13	9112-0004	13-22, 2-5	9114-6111	13-24
9108-4091	6-13	9112-1017	13-6	9114-6112	13-24
9108-4092	6-13	9112-1091	13-22, 2-5	9116-6012	2-5
9108-4094	6-13	9112-1239	13-22, 2-5	9116-6062	3-3
9108-4095	6-13	9112-1240	13-22, 2-5	9116-6063	13-22, 2-5
9108-4097	6-13	9112-1308	3-3	9130-1083	4-5
9108-4098	6-13	9112-1309	3-3	9130-3038	13-20
9108-4099	6-13	9112-1310	3-3	9130-3041	13-20
9108-4100	6-13	9112-3027	13-22, 13-24, 2-5	9130-5016	4-5
9108-4101	6-13	9112-3028	13-22, 13-24, 2-5	9130-6030	4-5
9108-4102	6-13	9112-3029	13-22, 13-24, 2-5	9900-7524	10-26
9108-4103	6-13	9112-3030	13-22, 13-24, 2-5		
9108-4106	6-14	9112-3031	13-22, 2-5		
9108-4107	6-14				

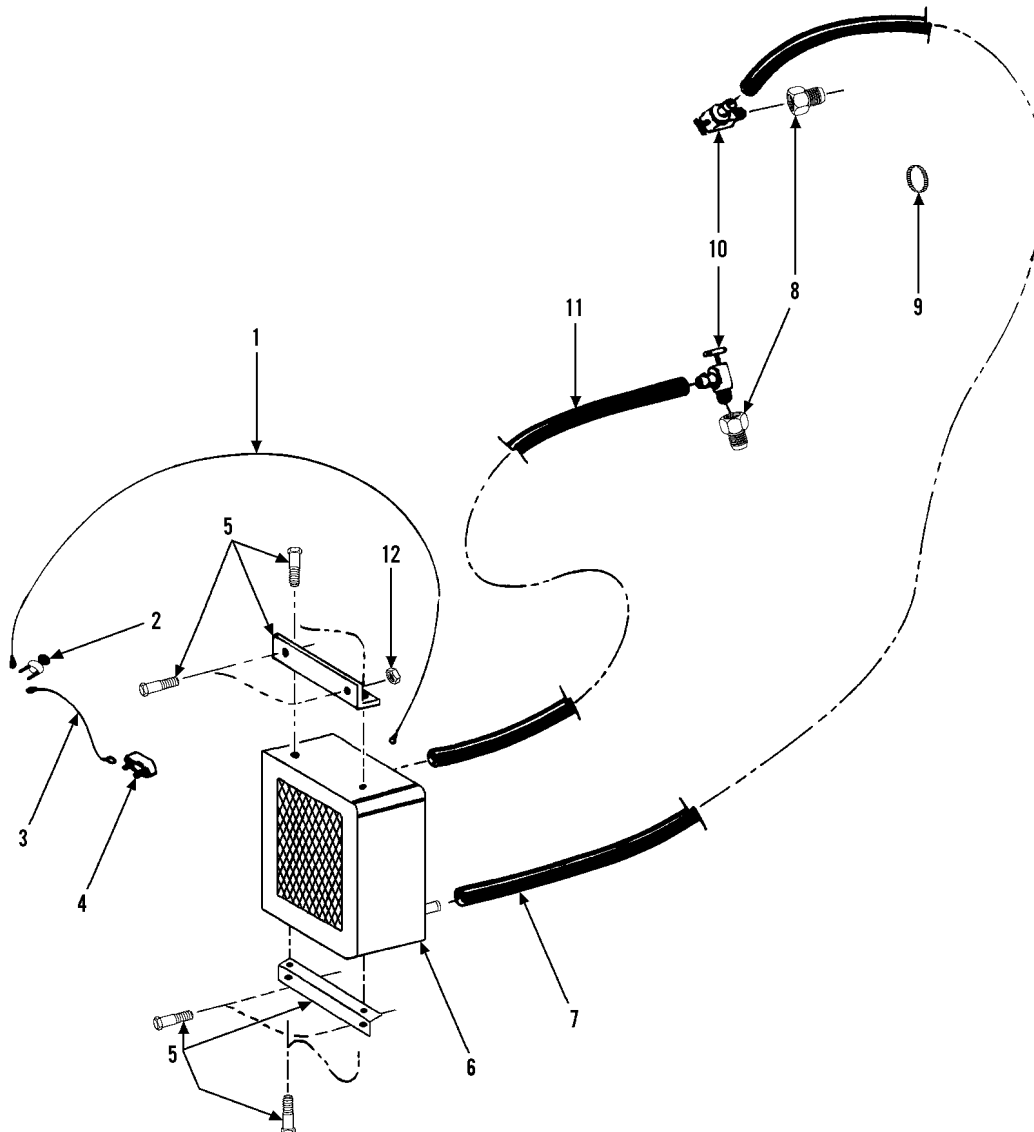


Item	Part No.	Qty.	Description Of Part	Item	Part No.	Qty.	Description Of Part
1	9103-1260	1	TANK COVER	33	9020-6196	AR	TRIM
2	8820-1066	4	HEX HD CAPSCREW, 1/2-13X1-1/4, GR5	34	9020-6196	AR	TRIM
3	8540-1340	8	HARDENED WASHER, 1/2	35	9020-6200	AR	TRIM
	8852-1308	4	HEX LOCKNUT, 1/2-13	36	9103-5096	1	MAINTENANCE DECK
4	9103-1456	1	HYD. DOOR COVER	37	8820-1021	2	HEX HD CAPSCREW, 5/16-18X1-1/4, GR5
5	9103-6016	1	FRONT HOOD	38	8855-1010	2	LOCKWASHER, 5/16
6	8820-1003	8	HEX HD CAPSCREW, 1/4-20X3/4, GR5	39	9020-6200	AR	TRIM
	8855-1009	8	LOCKWASHER, 1/4	40	9103-1075	1	HINGE
	8856-1107	8	FLAT WASHER, 1/4	41	8832-1047	3	SELF-TAPPING SCREW, 1/4-20X3/8
7	9020-6196	AR	TRIM	42	9103-1261	1	FRONT SERVICE DOOR
8	9020-6196	AR	TRIM	43	9103-3214	1	DRAW LATCH
9	9104-5027	1	REAR HOOD ASSY (includes items 10, 11 & 12)	44	9104-0002	1	COUNTERWEIGHT
10	9103-1067	1	SERVICE DOOR	45	8368-3291	1	MIRROR (starting S/N 0244219. For earlier models, use service kit 9103-5271)
11	9103-3077	1	DOOR HINGE	46	9103-1457	1	FUEL DOOR COVER
12	8826-1009	8	BUTTON HD CAPSCREW, 10-24X5/8	47	8507-1132	2	SEMI OFFSET HINGE
	8856-1105	8	FLAT WASHER, #10	48	8507-1028	2	SPRING & BRACKET
	8852-1605	8	HEX HD LOCKNUT, #10	49	8830-1092	8	ROUND HD MACHINE SCREW, #10-24X5/8
13	9020-7458	2	DRAW LATCH	50	8850-1612	8	HEX NUT, #10-24
14	9020-6196	AR	TRIM	51	8855-1007	8	LOCKWASHER, #10
15	9040-3352	1	REAR BOOM COVER	52	8856-1105	8	FLAT WASHER, #10
16	9104-1510	1	BOOM CABLE GUARD	53	8864-1401	8	POP RIVET
17	8820-1067	4	HEX HD CAPSCREW, 1/2-13X1-1/2	54	8366-1145	AR	WEATHERSTRIP
18	8855-1013	4	LOCKWASHER, 1/2	55	8856-1109	2	WASHER
	8856-1111	6	FLAT WASHER, 1/2	56	9020-3959	2	WING BOLT
19	8820-1033	2	HEX HD CAPSCREW, 3/8-16X3/4	57	9103-3029	1	SEAT BELT
20	8855-1011	2	LOCKWASHER, 3/8	58	8820-1050	2	HEX HD CAPSCREW, 5/8-11X1, GR5
	8856-1004	2	FLAT WASHER, 3/8	59	8850-1007	2	HEX NUT
21	9103-6079	1	REAR CAB COVER	60	8830-1193	4	ROUND HEAD CAPSCREW
22	9020-6196	AR	TRIM	61	8855-4900	4	WASHER
23	9020-6194	AR	TRIM	62	9103-1365	1	COVER
24	9060-2885	1	REAR WINDOW BRACKET	63	8097-3025	1	WHIZ LOK SCREW, 3/8-16X1
25	7714-3004	3	WHIZ LOK SCREW, 5/16-18X1-1/4	64	8368-3307	1	RETAINER NUT
26	9103-3485	1	SEAT	65	9103-1439	1	COVER PLATE
*	9112-4107	1	SLIDE ADJ. KIT (use with std. seat)	*66	8820-1118	2	HEX HD CAPSCREW, 3/4-10X3-1/4, GR5 (use in bottom slot)
27	7714-3006	9	WHIZ LOK NUT	*67	8692-1163	2	FLAT WASHER (use in bottom slot)
28	9103-1363	1	CAB BOTTOM COVER	*68	8820-1115	3	HEX HD CAPSCREW, 3/4-10X3, GR5 (use in top slot)
29	9020-5746	1	HEATER COVER	*69	8856-1009	3	WASHER (use in top slot)
	7714-3003	4	WHIZ LOK SCREW				
	7714-3006	4	WHIZ LOK NUT				
30	9020-5730	1	VALVE COVER				
31	7714-3003	4	WHIZ LOK SCREW				
32	9103-3102	1	MANUAL HOLDER				

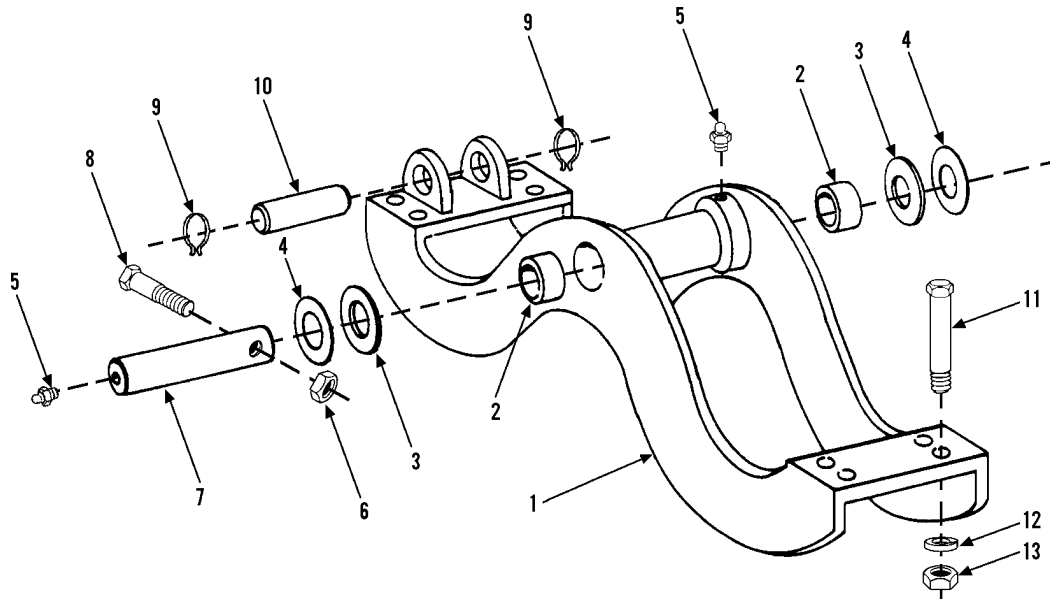


#2 -- 9020-5846 WINDOW, right side requires items 6, 10, 11 & 12 for mounting.

Item	Part No.	Qty.	Description Of Part	Item	Part No.	Qty.	Description Of Part
1	9040-3036	1	FRONT WINDOW	17	9020-0680	1	DEFROSTER FAN
2	9020-5846	1	RIGHT SIDE WINDOW	18	8832-1015	4	SELF TAPPING SCREW, #6-32X1/2
3	9040-3034	1	TOP WINDOW	18	9020-3840	1	DOOR PULL HANDLE
4	9040-3035	1	REAR WINDOW	18	8832-1039	2	SELF TAPPING SCREW, #10-32X1/2
5	9040-3033	1	LEFT SIDE WINDOW	19	9020-3627	1	HANDLE
6	9020-6019	AR	WINDOW HOLD DOWN BAR	19	8820-1031	1	HEX HD CAPSCREW, 3/8-16X1/2, GR5
7	9020-6017	1	HOLD DOWN BAR (left top)	20	9080-1238	1	DOOR ASSY
8	9020-6018	3	HOLD DOWN BAR	20	9103-4033	1	DOOR LATCH
9	9020-6613	1	SUPPORT ANGLE (window to cab)	21	9020-5886	1	DOOR HOLD PLUNGER
	8820-1031	2	HEX HD CAPSCREW, 3/8-16X1/2, GR5	22	9020-5888	1	PLUNGER SOCKET
	8855-1011	2	LOCKWASHER, 1/2	23	8830-1309	4	FLAT HD MACHINE SCREW, 1/4-20X3/4
10	9020-0755	50'	WEATHER STRIPPING (bulk)		8852-1304	4	HEX NUT, 1/4-20
11	9020-6100	AR	RUBBER GLAZING STRIP	24	9040-3082	1	DOOR POST
12	9002-7319	AR	SELF TAPPING SCREW, 1/4-14X1-1/4 (window bar hold down)	24	8820-1039	4	HEX HD CAPSCREW, 3/8-16X2, GR5
13	9103-3464	1	WINDSHIELD WIPER ARM	24	8850-1006	4	HEX NUT, 3/8-16
14	9103-3465	1	WIPER BLADE	25	9040-3032	1	DOOR TROUGH
15	9020-6023	1	WIPER MOTOR	25	9002-7319	3	SELF TAPPING SCREW, 1/4 NC X 1
16	9002-7214	1	WIPER SHAFT GROMMET (not shown)	26	9041-0229	1	DOOR WINDOW
16	9020-6025	1	WIPER MOTOR MOUNTING ANGLE	26	8366-1145	8FT	WEATHER STRIPPING (bulk)
	8820-1003	1	HEX HD CAPSCREW, 1/4-20X3/4, GR5				
	8850-1004	1	HEX NUT, 1/4-20				

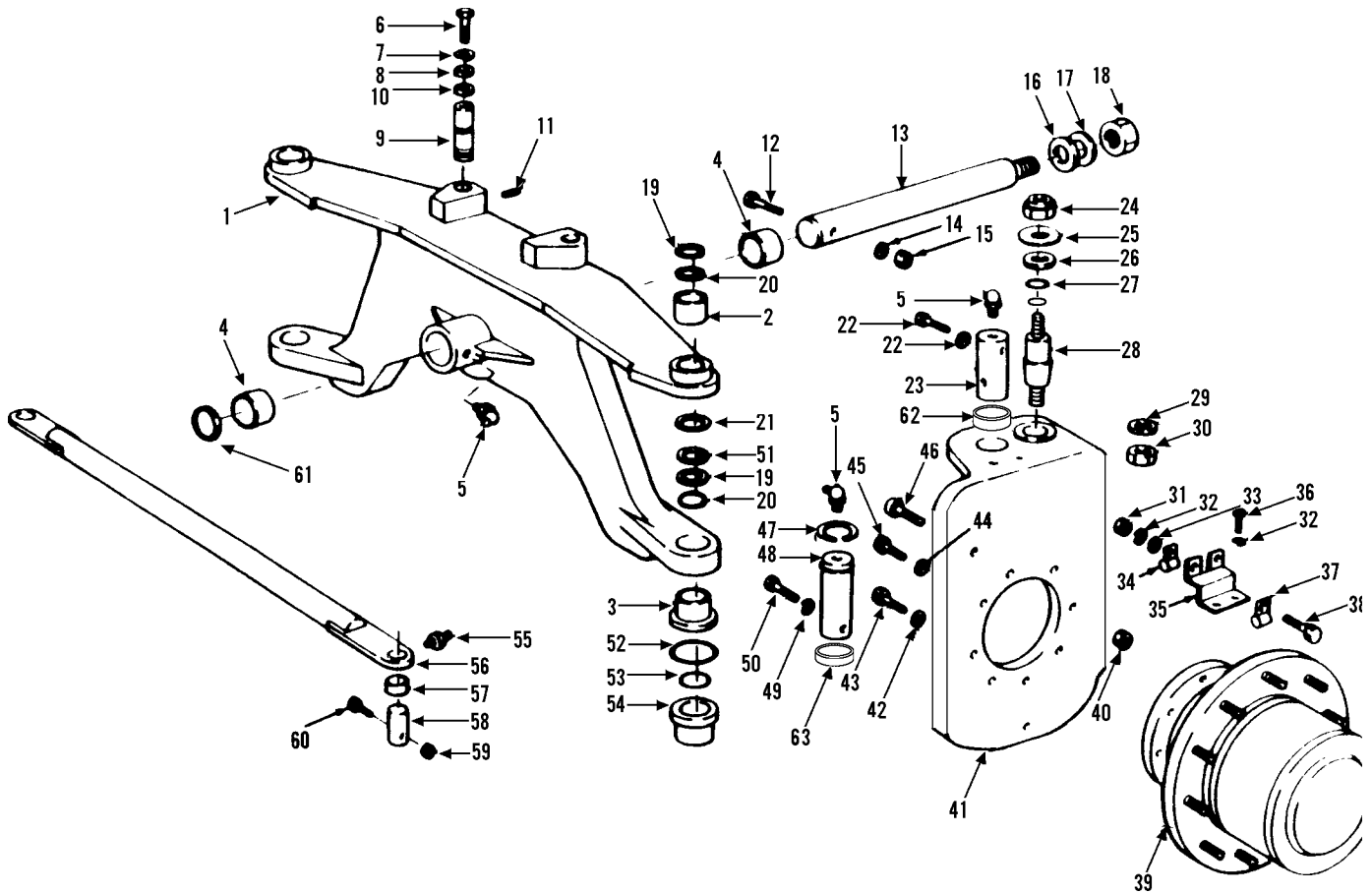


Item	Part No.	Qty.	Description Of Part
1	9020-6134	1	JUMPER WIRE
2	9103-4098	1	SWITCH (comes with heater)
3	9020-6133	1	JUMPER WIRE
4	9020-6131	1	CIRCUIT BREAKER
5	9020-5731	2	MOUNTING BRACKET
	8820-1005	8	HEX HD CAPSCREW, 1/4-20X1, GR5
6	9020-0679	1	HEATER (includes item #2 switch)
7		1	HOSE, 5/8" I.D.
8	8871-1383	2	REDUCING BUSHING, 1/2X3/8
9	8668-3193	4	CLAMP
10	2464-1328	2	SHUT-OFF VALVE
11		1	HOSE, 5/8" I.D.
12	8850-1004	4	HEX NUT, 1/4-20
			NOTE: ONLY ITEMS WITH PART NUMBERS ARE AVAILABLE FOR SERVICE.



Item	Part No.	Qty.	Description Of Part
1	9080-1303	1	FRONT AXLE CRADLE
2	9103-1096	2	BUSHING
3	9020-5891	2	SPACER
4	9103-1014	AR	SHIM
5	8867-1001	2	LUBE FITTING, STRAIGHT, 1/8
6	8852-1016	1	HEX LOCKNUT, 1-8 (stover)
7	9103-1243	1	FRAME PIN
8	8320-1031	1	HEX HD CAPSCREW
* 9	9002-8935	2	RETAINING RING
*10	9020-7352	1	SWAY CYLINDER ROD PIN
11	8320-1107	8	HEX HD CAPSCREW (lubricate & torque to 545-595 ft.lbs.)
12	9002-7475	8	WASHER
13	8852-1216	8	HEX LOCKNUT, 1-8

OLD STYLE PIVOT PIN



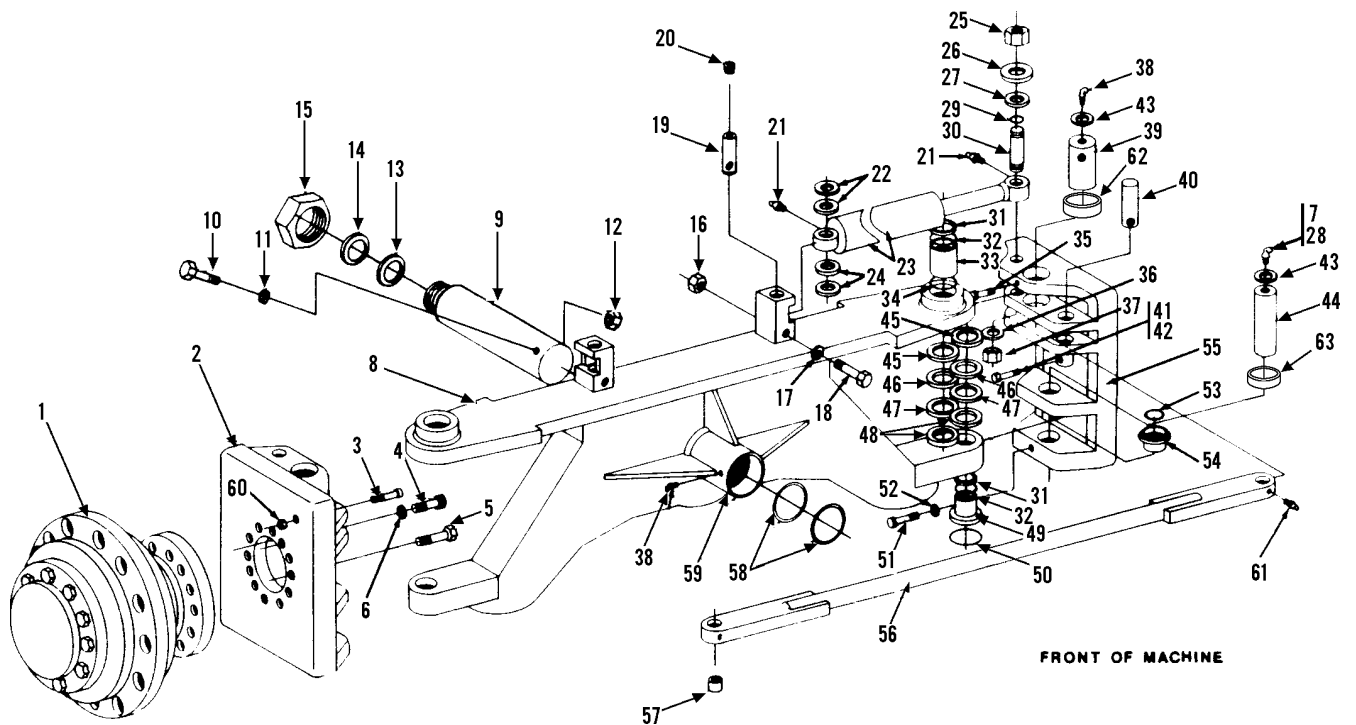
OLD STYLE PIVOT PIN

NOTE #1: When 9108-1384 Pivot Pin breaks, order part number 9108-5077 Steer Cylinder Pivot Block Kit for the replacement parts needed to accomodate new Pivot Pins.

NOTE #2: All machines must bore out Steering Knuckles to use items 62 & 63. Unless you have purchased new Steering Knuckles part number 9112-0003 & 9112-0004. See engineering print that comes with the Steering Knuckle Kit for details.

Item	Part No.	Qty.	Description Of Part	Item	Part No.	Qty.	Description Of Part
*	9103-5240	1	STEERING KNUCKLE KIT, (includes items 2 & 3, four of item 5, items 19 thru 23, 25, 26, 27, 46 thru 54, 62, 63, & 64), (one kit will do both sides)	34	8652-1144	2	CLAMP
	9104-5152	AR	STEERING CYLINDER PIN KIT, (includes one each of items 24 thru 30, one kit needed for each side)	35	9108-1387	2	TUBE SUPPORT
1	9108-6082	1	REAR AXLE WELDMENT, (includes items 2 thru 4)	36	8820-1035	4	HEX HDCAPSCREW, 3/8-16X1, GR5
2	9112-3028	2	FRAME UPPER BUSHING	37	9020-2343	4	TUBE CLAMP
3	9112-3027	2	FRAME LOWER BUSHING	38	8820-1036	4	HEX HDCAPSCREW, 3/8-16X1-1/4, GR5
4	9112-3031	2	FRAME AXLE PIN BUSHING	39		Ref	WHEEL DRIVE ASSY, (see page 6-17 for details)
5	8867-1022	6	LUBE FITTING, 90 DEGREES, 1/8	*40	8850-1110	2	HEAVY HEX JAM NUT, 5/8-11
6	8820-1065	2	HEX HD CAPSCREW, 1/2-13X1, GR5	41	9112-0003	1	STEERING KNUCKLE, L.H.
7	8855-1013	2	LOCKWASHER, 1/2		9112-0004	1	STEERING KNUCKLE, R.H.
8	9108-1461	2	WASHER	42	9104-1403	4	MODIFIED WASHER
9	9108-1384	2	STEERING CYLINDER PIVOT PIN	43	9104-3222	4	CAPSCREW, 12PT. HD, 3/4-10X2, GR8, (lubricate and torque to 270-290 ft. lbs.)
10	9020-1918	2	WASHER	44	8668-1572	12	HARDENED WASHER, 3/4
11	8822-1701	2	SOCKET SET SCREW, 3/8-16X1/2, SELF-LOCKING, (cup point)	45	8320-1006	12	HEX HD CAPSCREW, 3/4-10X2, GR8, (lubricate and torque to 270-290 ft. lbs.)
12	9002-0247	2	HEX HD CAPSCREW	46	8821-2321	2	SOCKET HD CAPSCREW, 5/8-11X3-3/4, GR8
13	9103-1440	1	AXLE MOUNTING PIN	47	8858-1323	2	RETAINING RING
14	8856-1119	1	FLAT WASHER, 1-1/4	48	9114-1424	2	LOWER KING PIN
15	8510-1098	1	HEX NUT	49	8855-1153	2	LOCKWASHER, 5/8, (hi-collar)
16	9020-6846	AR	SHIM, (1/8 thick)	50	8821-2321	2	SOCKET HEAD CAPSCREW, 5/8-11X3-3/4, GR8
17	9103-1009	AR	SHIM, (1/4 thick)	51	9104-1450	4	SHIM, (.0478 thick, use as required)
18	9002-2234	1	HEX LOCKNUT		9104-1449	4	SHIM, (.060 thick, use as required)
19	9112-3030	4	BACK-UP RING		9104-1451	6	SHIM, (.106 thick, use as required)
20	8859-1032	4	O-RING		9104-1596	4	SHIM, (20 gauge, use as required)
21	8692-1268	2	LIP SEAL	52	9112-3029	2	O-RING
22	8821-1117	2	SOCKET HD CAPSCREW, 1/2-13X4-1/2, GR8	53	8859-1104	2	O-RING
23	9108-1693	2	UPPER KING PIN	54	9112-1091	2	THRUST BEARING
24	8852-1312	2	HEX LOCKNUT, 3/4-10	55	8867-1001	2	LUBE FITTING, STRAIGHT, 1/8
25	9108-1415	2	DIRT SHIELD	56	9108-6083	1	TIE ROD ASSY, (includes item 57)
26	9104-1438	2	SPACER	57	9104-3247	2	SELF-ALIGNING BUSH
27	8859-1105	2	O-RING	58	9104-1439	2	TIE ROD PIN
28	9104-1481	2	STEERING CYLINDER PIN	59	8852-1306	2	HEX LOCKNUT, 3/8-16
29	9104-1459	2	WASHER	60	8624-1716	2	HEX HD CAPSCREW, 3/8-16X3, GR8
30	8850-1416	2	HEX JAM NUT, 1-14, (lubricate & torque to 570-620 ft. lbs.)	61	2460-1570	2	LIP SEAL
31	8850-1006	4	HEX NUT, 3/8-16	*62	9112-1239	2	BUSHING
32	8855-1011	8	LOCKWASHER, 3/8	*63	9112-1240	4	BUSHING
33	9002-7470	4	HARDENED WASHER				

NEW STYLE PIVOT PIN

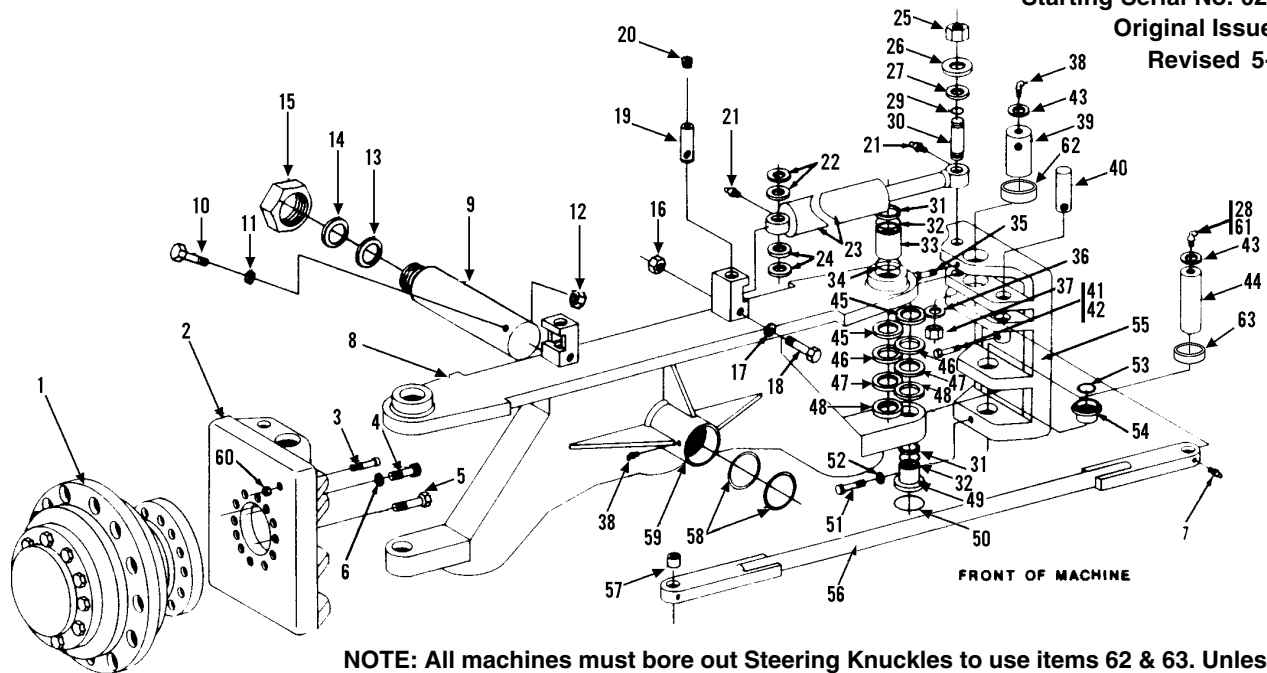


NEW STYLE PIVOT PIN

NOTE #1: When 9108-1384 Pivot Pin breaks, order part number 9108-5077 Steer Cylinder Pivot Block Kit for the replacement parts needed to accomodate new Pivot Pins.

NOTE #2: All machines must bore out Steering Knuckles to use items 62 & 63. Unless you have purchased new Steering Knuckles part number 9112-0003 & 9112-0004. See engineering print that comes with the Steering Knuckle Kit for details.

Item	Part No.	Qty.	Description Of Part	Item	Part No.	Qty.	Description Of Part
	9103-5240	1	STEERING KNUCKLE KIT, (includes items 26, 27, 29, 31 thru 35, 38, 39, 43 thru 54, 62, & 63, one kit does both sides)	29	8859-1019	2	O-RING
	9104-5152	AR	STEERING CYLINDER PIN KIT, (includes one each of items 25, 26, 27, 29, 30, 36, & 37, one kit needed for each side)	30	9104-1481	2	STEERING CYLINDER PIN
1		1	DRIVE HUB, (see page 6-17 for details)	31	9112-3030	4	BACK-UP RING
2	9112-0004	1	R.H. STEERING KNUCKLE	32	8859-1032	4	O-RING
3	8821-2262	2	SOCKET HD CAPSCREW, 5/8-11X3, GR8	33	9112-3028	2	BUSHING
4	8320-1006	12	HEX HD CAPSCREW, 3/4-10X2, GR8, (lubricate and torque to 270-290 ft. lbs.)	34	8692-1268	2	LIP SEAL
5	9104-3222	4	CAPSCREW, 12 PT. 3/4-10X2, (lubricate and torque to 270-290 ft. lbs.)	35	8821-1121	2	SOCKET HD CAPSCREW, 1/2-13X6-1/2, GR8
6	8668-1572	12	HARDENED WASHER, 3/4		8852-1208	2	HEX LOCKNUT, 1/2
7	9103-3444	2	STREET ELBOW	36	9104-1459	2	WASHER
8	9116-6012	1	REAR AXLE WELDMENT, (includes items 33, 49, & 59)	37	8850-1416	2	HEX JAM NUT, 1-14, (lubricate & torque to 425-475 ft. lbs.)
9	9103-1440	1	REAR AXLE MOUNTING PIN	38	8867-1022	4	LUBE FITTING, 30 DEGREES, 1/8
10	9002-0247	1	HEX HD CAPSCREW, 1-1/4-7X6	39	9108-1693	2	UPPER KING PIN
11	8856-1119	1	FLAT WASHER, 1-1/4	40	9104-1439	2	TIE ROD PIN
12	8510-1098	1	HEX NUT, 1-1/4-7	41	8320-1140	2	HEX HD CAPSCREW, 3/8-16X2-3/4, GR8
13	9020-6846	AR	SHIM, (1/8 thick)	42	8852-1306	2	LOCKNUT, 3/8-16
14	9103-1009	AR	SHIM, (1/4 thick)	43	8858-1323	4	RETAINING RING
15	9002-2234	1	HEX LOCKNUT	44	9114-1424	2	LOWER KING PIN
16	8850-1006	2	HEX NUT, 3/8-16	45	9104-1596	4	SHIM, (20 gauge, use as required)
17	8855-1011	2	LOCKWASHER, 3/8	46	9104-1449	4	SHIM, (.060 thick, use as required)
* 18	8320-1144	2	HEX HD CAPSCREW, 3/8-16X5-3/4, GR5	47	9104-1450	4	SHIM, (.0478 thick, use as required)
19	9108-1695	2	STEERING CYLINDER PIVOT PIN	48	9104-1451	6	SHIM, (.106 thick, use as required)
20	8871-1280	2	PIPE PLUG	49	9112-3027	2	BUSHING
21	8867-1033	4	LUBE FITTING, STRAIGHT, 1/4-28	50	9112-3029	2	O-RING
22	9104-1598	AR	SHIM	51	8821-2321	2	SLOT HD CAPSCREW, 5/8-11X3-3/4, GR8
23		2	STEERING CYLINDER ASSY, (see page 10-6 for details)	52	8855-1153	2	LOCKWASHER, 5/8
24	9020-1918	AR	SHIM, (10 gauge thick)	53	8859-1104	2	O-RING
25	8852-1312	2	HEX LOCKNUT, 3/4-10	54	9112-1091	2	THRUST BUSHING
26	9108-1415	2	DIRT SHIELD	55	9112-0003	1	L.H. STEERING KNUCKLE
27	9104-1732	2	SPACER	56	9116-6063	1	TIE ROD, (includes item 57)
28	9103-3445	2	LUBE FITTING	57	9104-3247	2	SELF-ALIGNING BUSHING
				58	2460-1570	2	LIP SEAL
				59	9112-3031	2	BUSHING
				60	8850-1110	2	HEAVY HEX JAM NUT, 5/8-11
				61	8867-1001	2	LUBE FITTING, STRAIGHT, 1/8
				62	9112-1239	2	BUSHING
				63	9112-1240	4	BUSHING

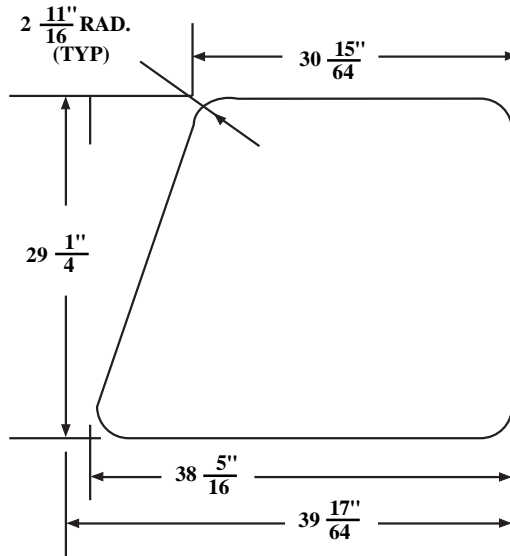


NOTE: All machines must bore out Steering Knuckles to use items 62 & 63. Unless you have purchased new Steering Knuckles part number 9112-0003 & 9112-0004. See engineering print that comes with the Steering Knuckle Kit for details.

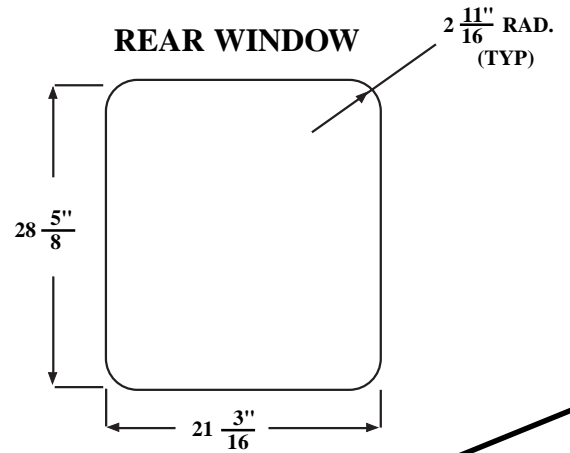
Item	Part No.	Qty.	Description Of Part	Item	Part No.	Qty.	Description Of Part
	9103-5240	1	STEERING KNUCKLE KIT (includes items 26, 27, 29, 31, 32, 33, 34, 35, 38, 39, 43 thru 54, 61 & 62) (one kit does both sides)	29	8859-1019	2	O-RING
	9104-5152	AR	STEERING CYLINDER PIN KIT (includes one each of items 25, 26, 27, 29, 30, 36 & 37, one kit needed for each side)	30	9104-1481	2	STEERING CYLINDER PIN
1		1	DRIVE HUB (see page 6-17 for details)	31	9112-3030	4	BACK-UP RING
2	9112-0004	1	R.H. STEERING KNUCKLE	32	8859-1032	4	O-RING
3	8821-2262	2	SOCKET HD CAPSCREW, 5/8-11X3, GR8	33	9112-3028	2	BUSHING
4	8320-1006	12	HEX HD CAPSCREW, 3/4-10X2, GR8 (lubricate and torque to 270-290 ft. lbs.)	34	8692-1268	2	LIP SEAL
5	9104-3222	4	CAPSCREW, 12 PT. 3/4-10X2 (lubricate and torque to 270-290 ft. lbs.)	35	8821-1121	2	SOCKET HD CAPSCREW, 1/2-13X6-1/2, GR8
6	8668-1572	12	HARDENED WASHER, 3/4		8852-1208	2	HEX LOCKNUT, 1/2
7	8867-1001	2	LUBE FITTING, STRAIGHT, 1/8	36	9104-1459	2	WASHER
8	9116-6012	1	REAR AXLE WELDMENT (includes items 33, 49, & 59)	37	8850-1416	2	HEX JAM NUT, 1-14 (lubricate & torque to 425-475 ft. lbs.)
9	9103-1440	1	REAR AXLE MOUNTING PIN	38	8867-1022	2	LUBE FITTING, 30 DEGREES, 1/8
10	9002-0247	1	HEX HD CAPSCREW, 1-1/4-7X6	39	9108-1693	2	UPPER KING PIN
11	8856-1119	1	FLAT WASHER, 1-1/4	40	9104-1439	2	TIE ROD PIN
12	8510-1098	1	HEX NUT, 1-1/4-7	41	8320-1140	2	HEX HD CAPSCREW, 3/8-16X2-3/4, GR8
13	9020-6846	AR	SHIM (1/8 thick)	42	8852-1306	2	LOCKNUT, 3/8-16
14	9103-1009	AR	SHIM (1/4 thick)	43	8858-1323	4	RETAINING RING
15	9002-2234	1	HEX LOCKNUT	44	9114-1424	2	LOWER KING PIN
16	8850-1006	2	HEX NUT, 3/8-16	45	9104-1596	4	SHIM (20 gauge, use as required)
17	8855-1011	2	LOCKWASHER, 3/8	46	9104-1449	4	SHIM (.060 thick, use as required)
*18	8320-1144	2	HEX HD CAPSCREW, 3/8-16X5-3/4, GR5	47	9104-1450	4	SHIM (.0478 thick, use as required)
19	9108-1695	2	STEERING CYLINDER PIVOT PIN	48	9104-1451	6	SHIM (.106 thick, use as required)
20	8871-1280	2	PIPE PLUG	49	9112-3027	2	BUSHING
21	8867-1033	4	LUBE FITTING, STRAIGHT, 1/4-28	50	9112-3029	2	O-RING
22	9104-1598	AR	SHIM	51	8821-2321	2	SLOT HD CAPSCREW, 5/8-11X3/4, GR8
23		2	STEERING CYLINDER ASSY (see page 10-6 for details)	52	8855-1153	2	LOCKWASHER, 5/8
24	9020-1918	AR	SHIM (10 gauge thick)	53	8859-1104	2	O-RING
25	8852-1312	2	HEX LOCKNUT, 3/4-10	54	9112-1091	2	THRUST BUSHING
26	9108-1415	2	DIRT SHIELD	55	9112-0003	1	L.H. STEERING KNUCKLE
27	9104-1732	2	SPACER	56	9116-6063	1	TIE ROD (includes item 57)
28	9103-3445	2	LUBE FITTING	57	9104-3247	2	SELF-ALIGNING BUSHING
				58	2460-1570	2	LIP SEAL
				59	9112-3031	2	BUSHING
				60	8850-1110	2	HEAVY HEX JAM NUT, 5/8-11
				61	9103-3444	2	STREET ELBOW
				62	9112-1239	2	BUSHING
				63	9112-1240	4	BUSHING

* Changed Part Number on item 18.

STANDARD



RIGHT SIDE WINDOW

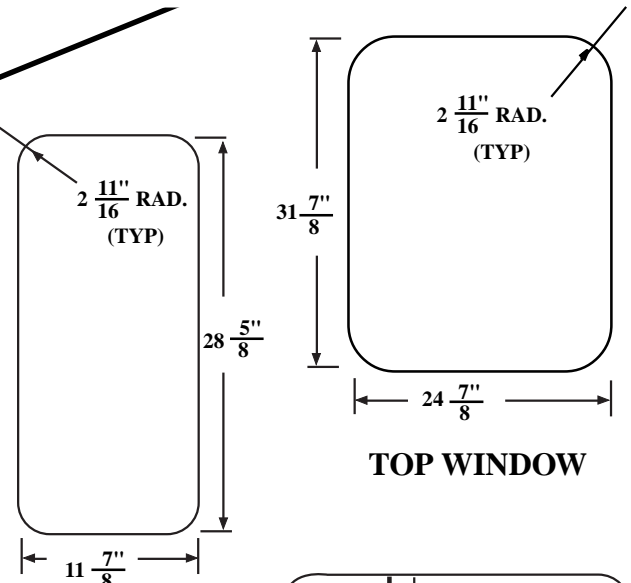


REAR WINDOW

NOTE: ALL LAMINATED SAFETY GLASS,
 TINTED FOR 73% LIGHT
 TRANSMISSION SEAMED EDGES,
 7/32" THICK.

CAB GLASS CAN ONLY BE SHIPPED
 WITH THE COMPLETE CAB ENCLOSURE
 OPTION. IF GLASS BREAKAGE OCCURS
 IN THE FIELD IT MUST BE REPLACED
 LOCALLY USING THE DIMENSIONS GIVEN.
 WITH THE EXCEPTION OF THE DOOR SLIDING
 WINDOW ASSY WHICH MAY BE PURCHASED
 THROUGH THE PARTS DEPARTMENT.

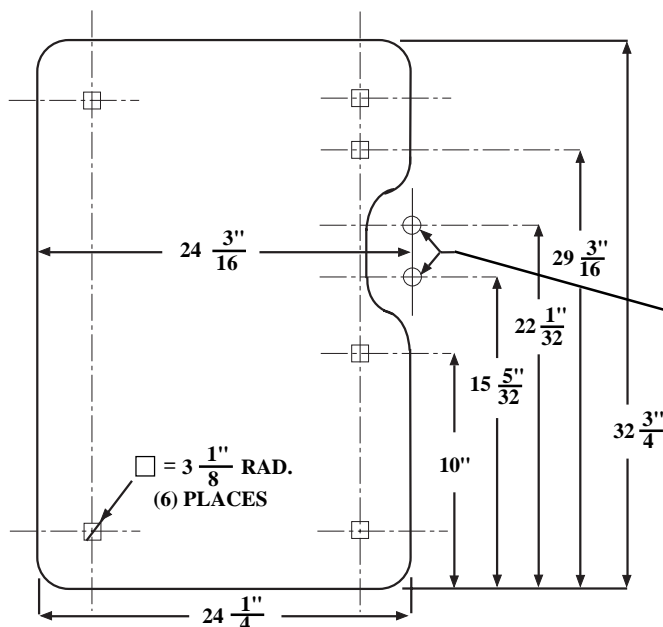
OPTIONAL



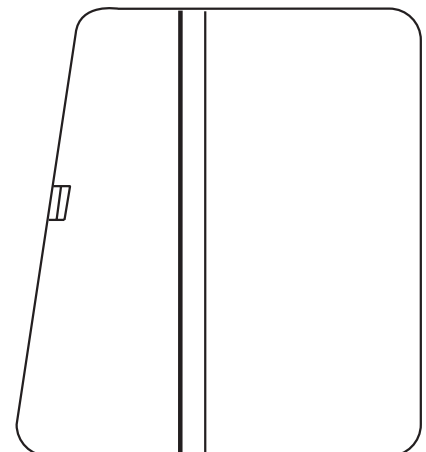
TOP WINDOW

LEFT SIDE WINDOW

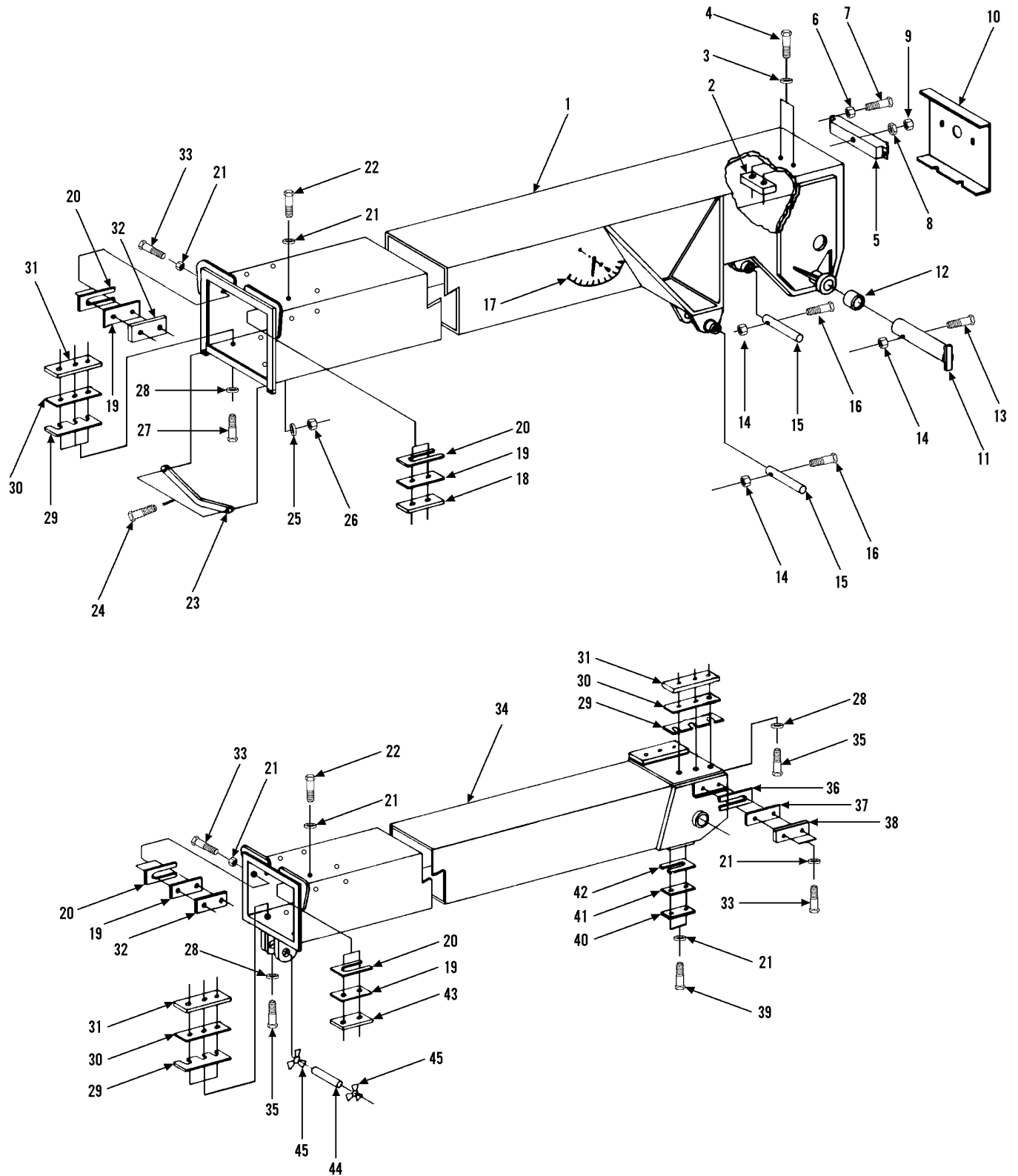
○ = 2 7/8" RAD.
 (2) PLACES



FRONT WINDOW



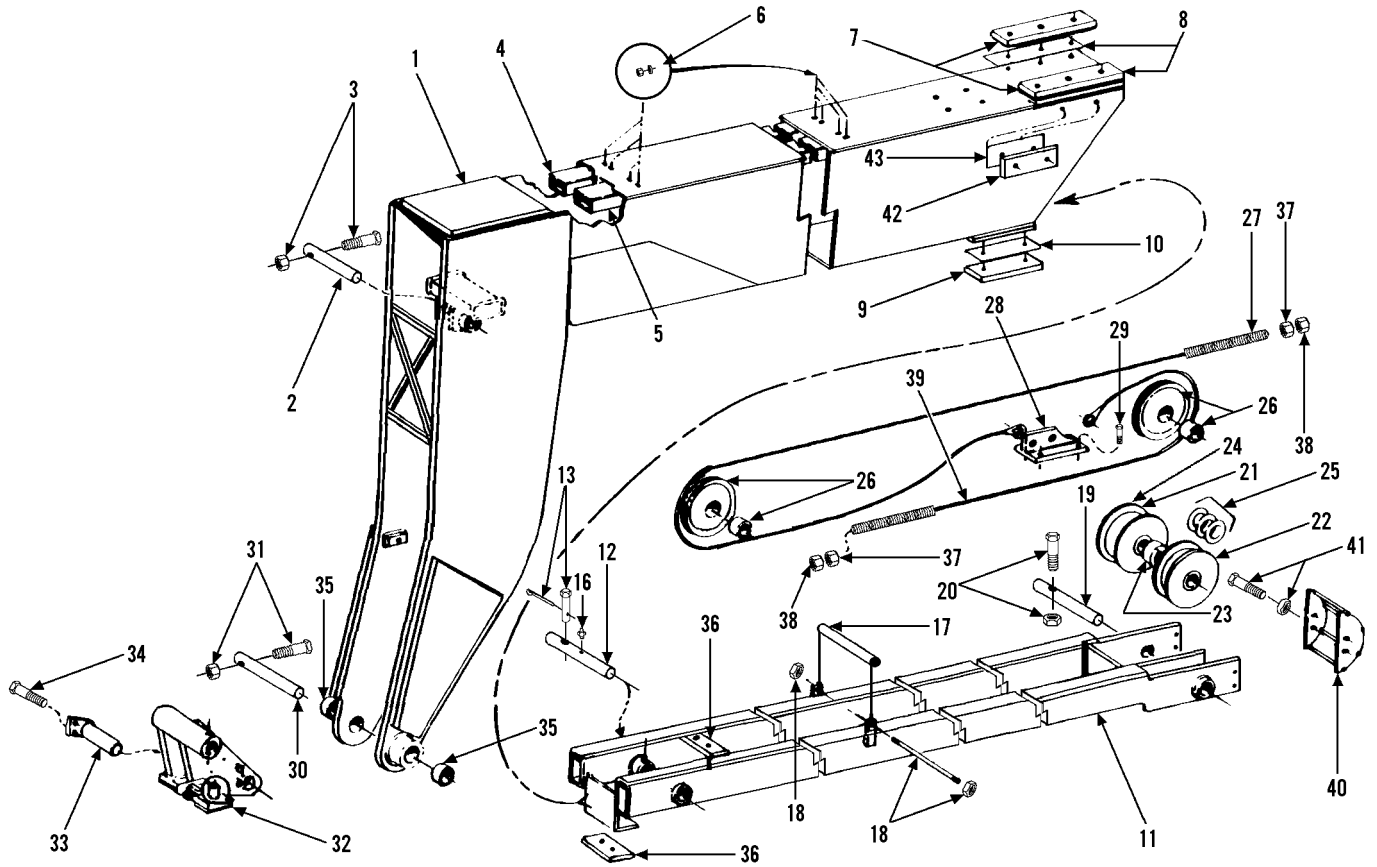
DOOR SLIDING WINDOW
 (9104-3437)



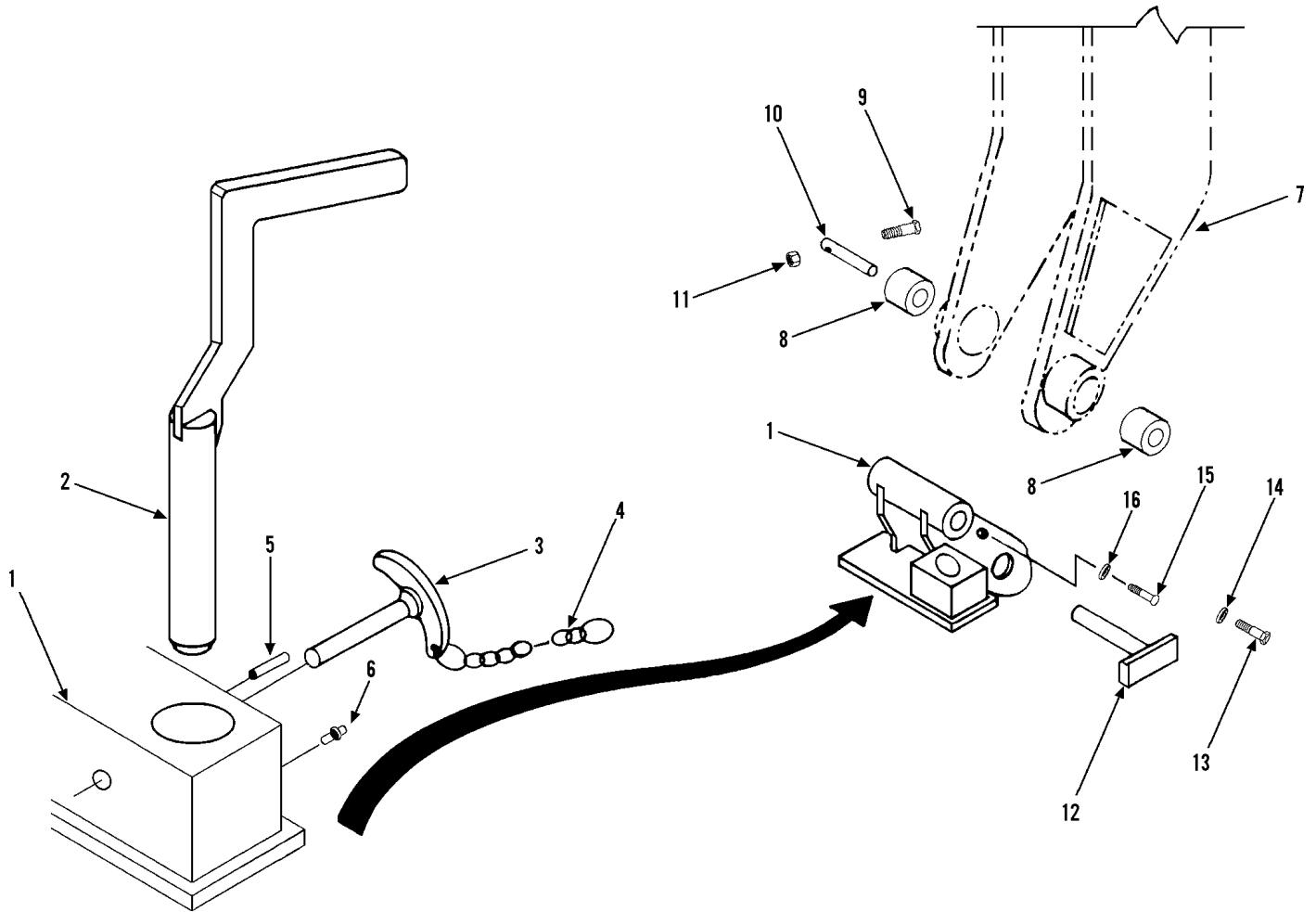
GRADALL®
MATERIAL HANDLER
534B-9

BOOMS
1st & 2nd Boom Sections
Starting Serial No. 0144860S
Original Issue 10-90
Revised 2-93

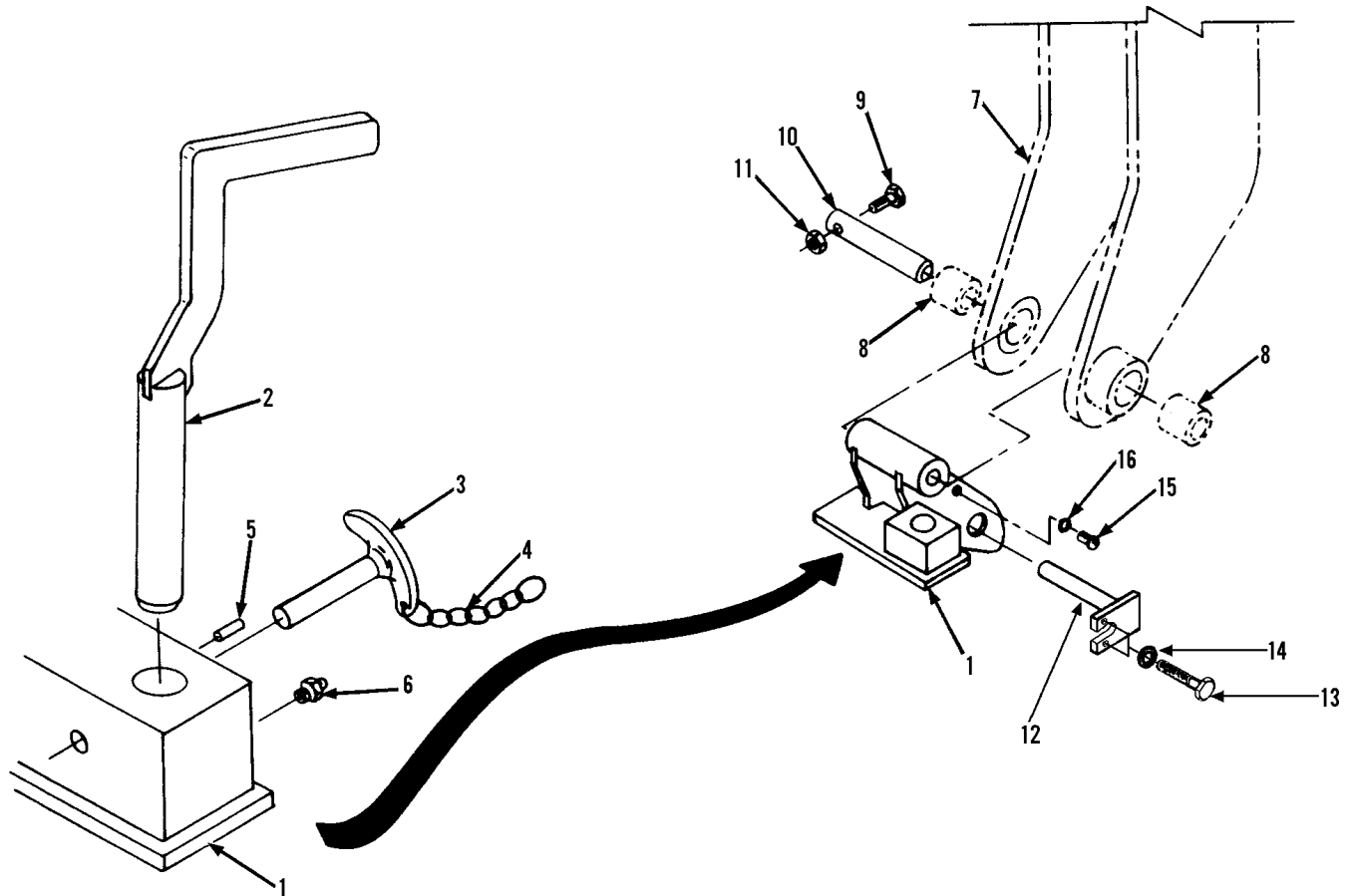
Item	Part No.	Qty.	Description Of Part	Item	Part No.	Qty.	Description Of Part
1	9103-6070	1	1ST BOOM SECTION	22	8820-1533	8	HEX HD CAPSCREW, 3/8-24X7/8, GR5
2	9103-1163	1	STOP BAR	23	9040-3212	1	CROWD CYLINDER HANGER
3	0510-1441	2	HARDENED WASHER	24	8820-1067	2	HEX HD CAPSCREW, 1/2-13X1-1/2, GR5
4	8320-1053	3	HEX HD CAPSCREW, 1-8X3, GR8	25	8855-1013	2	LOCKWASHER, 1/2
5	9060-2842	1	STRONGBACK	26	8850-1008	2	HEX NUT, 1/2-13
6	8540-1340	2	WASHER	27	8820-1567	6	HEX HD CAPSCREW, 1/2-20X1-3/4, GR5
7	8820-1069	2	HEX HD CAPSCREW, 1/2-13X2, GR5	28	8856-1111	18	FLAT WASHER, 1/2
8	9002-8965	1	HEX NUT, 1-8	29	9020-5497	12	SLOTTED SHIM
9	8850-1116	1	HEAVY HEX JAM NUT, 1-8	30	9103-1237	12	PUNCHED HOLE SHIM
10	9040-3352	1	BOOM END COVER	31	9103-3190	6	BEARING PAD
	8856-1109	4	FLAT WASHER, 3/8	32	9103-3186	4	BEARING PAD
	9020-3959	4	WING BOLT	33	8820-1532	12	HEX HD CAPSCREW, 3/8-24X3/4, GR5
11	9103-1389	1	BOOM BASE PIN	34	9103-6036	1	2ND BOOM SECTION
12	9103-1371	2	BUSHING	35	8820-1563	12	HEX HD CAPSCREW, 1/2-20X7/8, GR5
13	8348-1645	1	HEX HD CAPSCREW, 5/8-11X6, GR8	36	9020-7030	4	SLOTTED SHIM
14	8852-1010	4	HEX LOCKNUT, 5/8-11	37	9103-1235	4	PUNCHED HOLE SHIM
15	9020-6892	3	CROWD BASE & LIFT ROD PIN	38	9103-3184	2	BEARING PAD
16	8320-1044	3	HEX HD CAPSCREW, 5/8-11X4, GR8	39	8820-1534	4	HEX HD CAPSCREW, 3/8-24X1, GR5
17	9020-0445	1	BOOM ANGLE INDICATOR	40	9103-3188	2	BEARING PAD
	9020-0688	1	BEARING	41	9103-1234	2	PUNCHED HOLE SHIM
	8856-1108	1	FLAT WASHER, 1/2	42	9020-7029	2	SLOTTED SHIM
	9002-6491	1	SHOULDER BOLT	43	9103-3189	2	BEARING PAD
18	9103-3185	2	BEARING PAD	44	9020-7352	1	CROWD CYLINDER PIN
19	9103-1236	12	PUNCHED HOLE SHIM	45	9002-8935	2	SNAP RING
20	9020-5870	12	SLOTTED SHIM				
21	8856-1109	48	FLAT WASHER, 3/8				



Item	Part No.	Qty.	Description Of Part	Item	Part No.	Qty.	Description Of Part
1	9103-6037	1	3RD BOOM SECTION	23	9020-6046	4	BUSHING
2	9020-6892	1	TILT CYLINDER BASE PIN	24	9020-7043	1	SPACER (if item 21 is not used)
3	8320-1044	1	HEX HD CAPSCREW, 5/8-11X4, GR8	25	9020-0253	AR	SHIM
	8852-1010	1	HEX NUT, 5/8-11		9020-3039	AR	SHIM
4	9040-3350	1	TUBE (auxiliary hose)		9020-3040	AR	SHIM
5	9040-3203	1	TUBE (tilt hose)	26	9103-5147	2	SHEAVE ASSY (includes sheave & bushing)
6	8850-1005	12	HEX NUT, 5/16-18		9103-1373	2	CABLE SHEAVE
	8856-1108	12	FLAT WASHER, 5/16		9103-1374	2	BUSHING
7	9103-3190	2	BEARING (top rear)	27	9020-6886	1	CABLE (includes pins)
8	9020-5497	4	SLOTTED SHIM	28	9103-6001	1	CABLE ANCHOR (6 hole)
	9103-1237	4	PUNCHED HOLE SHIM	29	8320-1003	1	HEX HD CAPSCREW, 5/8-11X1-3/4
	8820-1564	6	HEX HD CAPSCREW, 1/2-20X1, GR5	30	9104-1365	1	PIN (boom to male coupler)
	8856-1111	6	FLAT WASHER, 1/2	31	8820-1107	1	HEX HD CAPSCREW, 5/8-11X5, GR5
9	9103-3184	2	BEARING (lower rear)		8852-1310	1	HEX LOCKNUT, 5/8-11
10	9020-7030	4	SLOTTED SHIM	32	9060-2838	1	MALE COUPLER
	9103-1235	4	PUNCHED HOLE SHIM	33	9020-7046	1	TILT CYLINDER ROD PIN
	8820-1536	4	HEX HD CAPSCREW, 3/8-24X1-1/2, GR5	34	8820-1065	2	HEX HD CAPSCREW, 1/2-13X1, GR5
11	9080-1349	1	PUSH BEAM	35	9103-1136	2	BUSHING CABLE
12	9103-1445	1	PIN	36	9103-3187	2	BEARING
13	9002-1608	1	CLEVIS PIN		9103-1111	4	SLOTTED SHIM
	8863-1310	1	COTTER PIN, 3/32X1		9103-1233	4	PUNCHED HOLE SHIM
16	8867-1001	1	GREASE FITTING		8820-1533	2	HEX HD CAPSCREW, 3/8-24X7/8, GR5
17	9020-7215	1	ROLLER (not required after serial #8444459)		8820-1532	2	HEX HD CAPSCREW, 3/8-24X3/4, GR5
18	9020-7302	1	STUD		8856-1109	4	FLAT WASHER, 3/8
	8852-1305	2	HEX LOCKNUT, 5/16-18	37	9002-8965	2	NUT
19	9020-7710	1	PIN	38	8850-1116	2	HEAVY HEX JAM NUT, 1"-8
20	8820-1045	1	HEX HD CAPSCREW, 3/8-16X3-1/2, GR5	39	9020-6887	1	CABLE (includes pins)
	8850-1106	1	HEAVY HEX JAM NUT, 3/8-16	40	9103-6069	1	HOSE RETAINER
21	9104-3101	1	SHEAVE	41	8820-1033	4	HEX HD CAPSCREW, 3/8-16X3/4, GR5
22	9104-3100	1	SHEAVE		8856-1109	4	FLAT WASHER, 3/8
*22 ^A	9060-2830	1	SHEAVE (old sheave used with quantity of two 9020-6046 bushings)	42	9103-3186	2	BEARING (side)
*22 ^B	9104-3100	1	SHEAVE (plastic sheave, replaced old 9060-2830; no bushings required)	43	9020-5870	4	SLOTTED SHIM
					9103-1236	4	PUNCHED HOLE SHIM



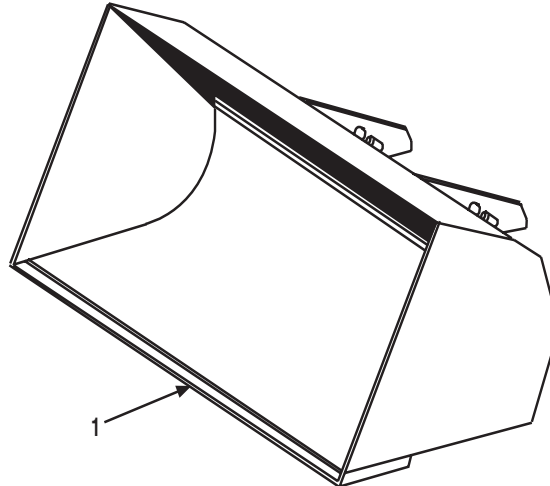
Item	Part No.	Qty.	Description Of Part
	9104-5095	1	QUICK SWITCH ASSEMBLY
* 1	9108-6074	1	QUICK SWITCH WELDMENT
2	9108-6073	1	PLUNGER WELDMENT
3	9020-7902	1	QUICK RELEASE PIN
4	9103-3038	1	JACK CHAIN, 8" LONG, SIZE 12
5	8863-1509	1	ROLL PIN, 1/4"X2
6	8867-1008	1	LUBE FITTING, STRAIGHT, 1/4-28
7		Ref	THIRD BOOM SECTION (see page 3-2)
8	9103-1136	2	BUSHING
9	8864-1057	1	HEX HD CAPSCREW
10	9104-1365	1	HEAD PIN
11	8852-1010	1	HEX LOCKNUT, 5/8-11
12	9020-7046	1	TILT CYLINDER ROD END PIN
13	8820-1065	2	HEX HD CAPSCREW, 1/2-13X1, GR5
14	8855-1013	2	LOCKWASHER, 1/2
15	8830-1090	1	ROUND HD MACHINE SCREW, #10-24X1/2
16	8856-1105	1	FLAT WASHER, #10



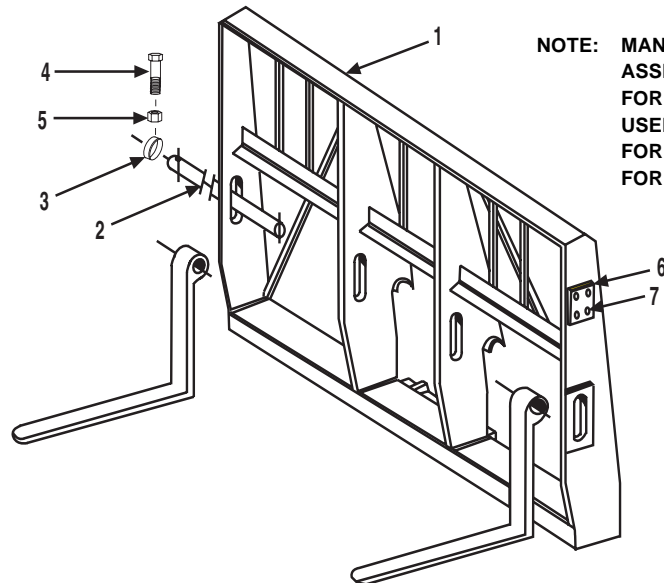
Item	Part No.	Qty.	Description Of Part
	9108-5049	Ref	QUICK SWITCH OPTION (includes 9108-5091 plus items 9,10, &11)
	9108-5091	1	QUICK SWITCH ASSY (includes items 1 thru 6, 15 & 16)
1	9108-6152	1	QUICK SWITCH WELDMENT
2	9108-6151	1	PLUNGER WELDMENT
3	9020-7902	1	QUICK RELEASE PIN
4	9103-3038	1	JACK CHAIN, 5" LONG, SIZE 12
5	8863-1509	1	ROLL PIN, 1/4"X2
6	8867-1008	1	LUBE FITTING, STRAIGHT, 1/4-28
7		Ref	THIRD BOOM SECTION (see page 3-2)
8	9103-1136	2	BUSHING
9	9112-1308	1	HEX HD CAPSCREW, 5/8-11X5, GR5
10	9104-1365	1	PIN
11	9112-1309	1	HEX NUT, 5/8-11 (torque to 185-200 ft. lbs.)
12	9116-6062	1	TILT CYLINDER PIN
13	8320-1123	2	HEX HD CAPSCREW, 1/2-13X1, GR8
14	8856-1111	2	WASHER, 1/2
15	8830-1193	1	ROUND HD MACHINE SCREW, #10-32X1/2
16	8856-1105	1	FLAT WASHER, #10
17	9112-1310	2	WASHER, 5/8

GRADALL®
MATERIAL HANDLER
534B-9

ATTACHMENTS & ACCESSORIES
Buckets & Carriages
 Starting Serial No. 0144860S
 Original Issue 10-90
 Revised 11-29-00



Item	Part No.	Qty.	Description Of Part
1	9045-5049	1	3/4 YARD MATERIAL BUCKET
	9055-5020	1	1-1/4 YARD MATERIAL BUCKET



NOTE: MANY DIFFERENT FORK ASSEMBLIES ARE AVAILABLE FOR THE CARRIAGE ASSEMBLIES USED ON THE 534B-9. PLEASE SEE FORK INFORMATION PAGE, (4-6) FOR LIST OF FORKS.

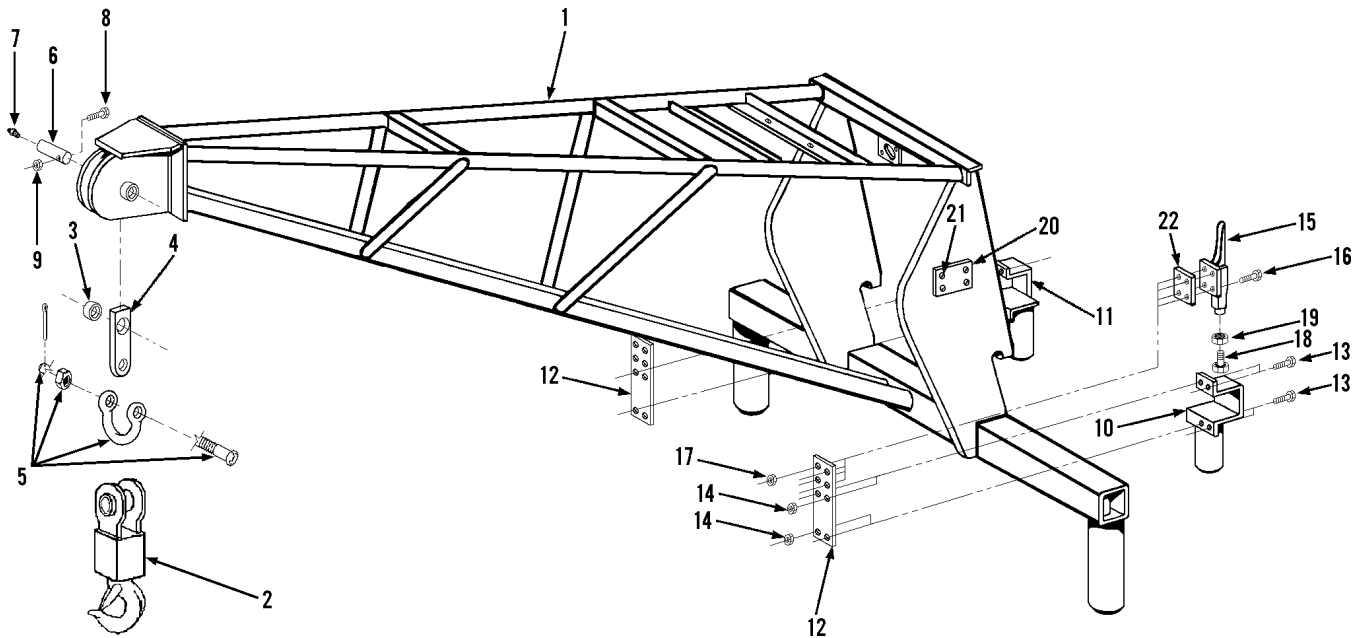
Item	Part No.	Qty.	Description Of Part	Item	Part No.	Qty.	Description Of Part
	9045-5007	1	48" CARRIAGE ASSY, (includes all items)		9045-5008	1	66" CARRIAGE ASSY, (includes all items)
1	9080-1315	1	CARRIAGE WELDMENT	1	9080-1314	1	CARRIAGE WELDMENT
2	9040-2477	1	FORK PIN	2	9040-2478	1	FORK PIN
3	9020-0003	2	COLLAR	3	9020-0003	2	COLLAR
4	8820-1105	2	HEX HD CAPSCREW, 5/8-11X4, GR5	4	8820-1105	2	HEX HD CAPSCREW, 5/8-11X4, GR5
5	8852-1310	2	HEX LOCKNUT, 5/8-11	5	8852-1310	2	HEX LOCKNUT, 5/8-11
* 6	9015-3001	1	SERIAL NUMBER PLATE	* 6	9015-3001	1	SERIAL NUMBER PLATE
* 7	8834-1022	4	DRIVE SCREW, #10X3/8	* 7	8834-1022	4	DRIVE SCREW, #10X3/8

SVC

* Revised illustration and fork note; added items 6 & 7.

GRADALL®
MATERIAL HANDLER
534B-9

ATTACHMENTS & ACCESSORIES
(9045-5011) Truss Boom
 Starting Serial No. 0144860S
 Original Issue 10-90
 Revised 6-29-01



Item	Part No.	Qty.	Description Of Part	Item	Part No.	Qty.	Description Of Part
	9045-5011	1	TRUSS BOOM, (includes all items)	11	9060-2904	1	SLIDER BRACKET
1	9080-1353	1	TRUSS BOOM WELDMENT	12	9040-3437	2	SLIDER BAR
2	9045-3040	1	SWIVELHOOK	13	8820-1036	8	HEX HDCAPSCREW, 3/8-16X1-1/4, GR5
3	9020-6046	1	BUSHING	14	8850-1006	8	HEX NUT, 3/8-16
4	9045-1053	1	HANGER	15	9020-7884	2	LOCKING CLAMP
5	9045-3041	1	SHACKLE, (includes attachment hardware)	16	8820-1021	8	HEX HDCAPSCREW, 5/16-18X1-1/4, GR5
		1	BOLT	17	8850-1005	8	HEX NUT, 5/16-18
		1	NUT	18	8820-1035	2	HEX HDCAPSCREW, 3/8-16X1, GR5
		1	COTTER PIN	19	8850-1106	2	HEAVY HEX JAM NUT, 3/8-16
6	9040-2948	1	PIN	20	9015-3001	1	SERIAL NO. PLATE
7	8867-1001	1	LUBE FITTING, STRAIGHT, 1/8	21	8834-1022	4	DRIVE SCREW, #10X3/8
8	8820-1073	1	HEX HD CAPSCREW, 1/2-13X3, GR5	22	9045-1047	2	SPACER
9	8850-1008	1	HEX NUT, 1/2-13				
10	9060-2905	1	SLIDER BRACKET				

GRADALL®
MATERIAL HANDLER
534B-9

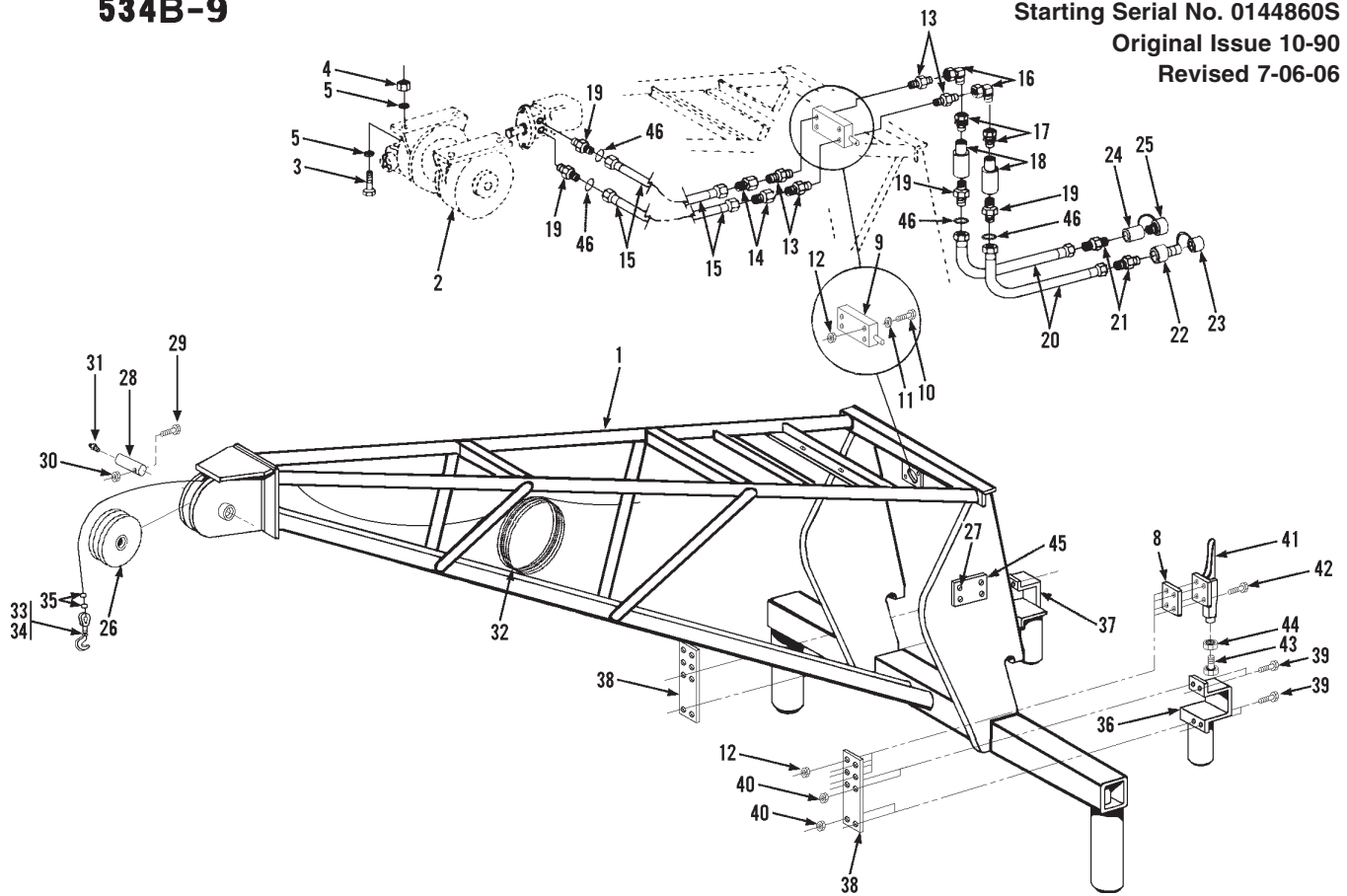
ATTACHMENTS & ACCESSORIES

Truss Boom with Winch

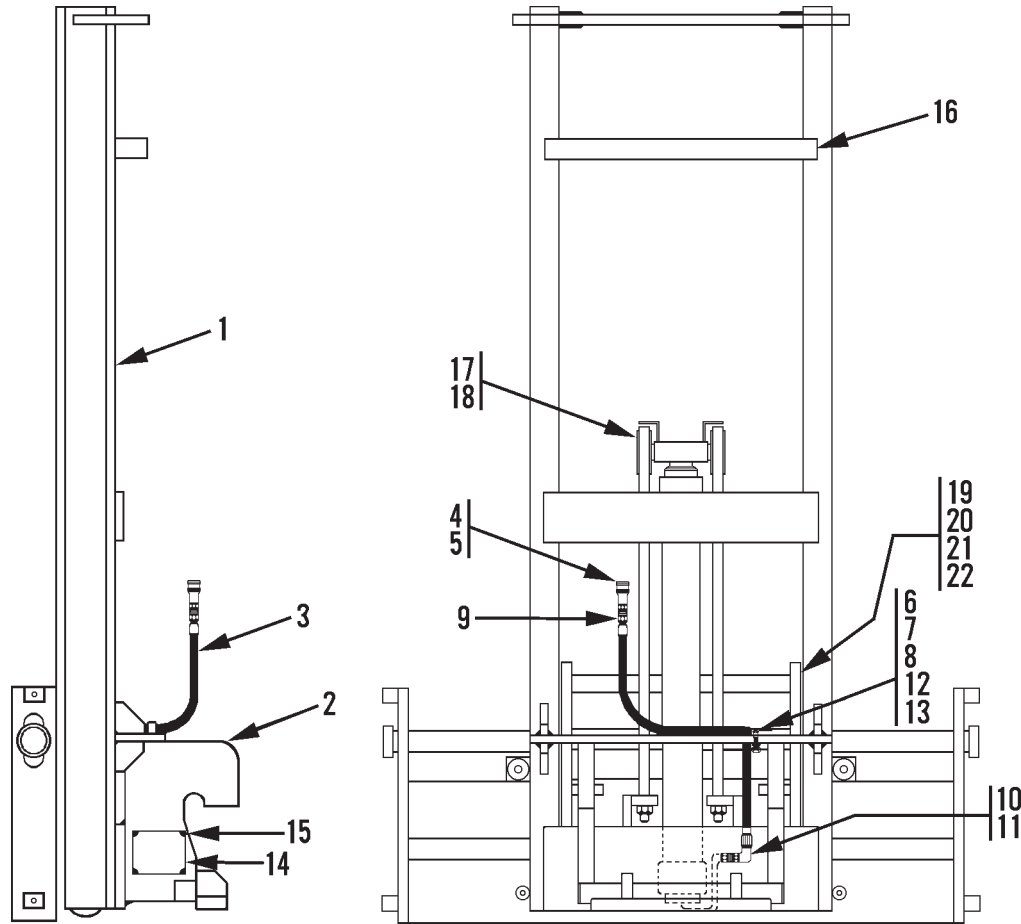
Starting Serial No. 0144860S

Original Issue 10-90

Revised 7-06-06



Item	Part No.	Qty.	Description Of Part	Item	Part No.	Qty.	Description Of Part
	9045-5012	1	TRUSS BOOM ASSY W/WINCH, (includes all items)	22	9140-3414	1	MALE TIP COUPLER, (S/N 2005283-01 & After)
1	9080-1353	1	TRUSS BOOM WELDMENT	23	9104-3126	1	DUST CAP
2		Ref	WINCH W/MOTOR, (see page 10-23 & 10-24 for details)	24	9116-3139	1	FEMALE COUPLER, (Before S/N 2005283-01 & After)
3	8820-1096	4	HEX HD CAPSCREW, 5/8-11X1-3/4, GR5		9140-3413	1	FEMALE COUPLER, (S/N 2005283-01 & After)
4	8850-1010	4	HEX NUT, 5/8-11	25	9104-3125	1	DUST PLUG
5	8856-1113	8	FLAT WASHER, 5/8	26	9040-3056	1	SHEAVE
6	Not Used			27	8834-1022	4	DRIVE SCREW, #10X3/8
7	Not Used			28	9040-2948	1	PIN
8	9045-1047	2	SPACER	29	8820-1073	1	HEX HD CAPSCREW, 1/2-13X3, GR5
9		Ref	CROSSOVER VALVE, (see page 10-25 for details)	30	8850-1008	1	HEX NUT, 1/2-13
10	8820-1027	2	HEX HD CAPSCREW, 5/16-18X2-3/4, GR5	31	8867-1001	1	LUBE FITTING, STRAIGHT, 1/8
11	8856-1108	2	FLAT WASHER, 5/16	32	9020-7882	1	WIRE ROPE, 3/8" DIAMETER
12	8850-1005	10	HEX NUT, 5/16-18	33	9140-3448	1	SWIVEL HOOK
13	8345-1104	4	ADAPTER	34	9002-6965	1	THIMBLE
14	9002-9935	2	TUBE REDUCER, 7/8X3/4	35	9002-8990	2	WIRE ROPE CLIP
15	9020-5121	2	HOSE ASSY	36	9060-2905	1	SLIDER BRACKET
16	8866-2107	2	ELBOW, 90 DEGREES, (swivel nut)	37	9060-2904	1	SLIDER BRACKET
17	9045-3016	2	ADAPTER	38	9040-3437	2	SLIDER BAR
18	9020-7880	2	FLOW LIMITER	39	8820-1036	8	HEX HD CAPSCREW, 3/8-16X1-1/4, GR5
19	8866-2019	4	CONNECTOR, (includes item 46)	40	8850-1006	8	HEX NUT, 3/8-16
20	8471-7644	2	HOSE ASSY	41	9020-7884	2	LOCKING CLAMP
21	8866-1013	2	MALE CONNECTOR, 1/2X1/2, (Before S/N 2005283-01 & After)	42	8820-1021	8	HEX HD CAPSCREW, 5/16-18X1-1/4, GR5
	8866-2006	2	CONNECTOR, (includes 8859-1205 o-ring), (S/N 2005283-01 & After)	43	8820-1035	2	HEX HD CAPSCREW, 3/8-16X1, GR5
22	9116-3138	1	MALE TIP COUPLER, (Before S/N 2005283-01 & After)	44	8850-1106	2	HEAVY HEX JAM NUT, 3/8-16
				45	9015-3001	1	SERIAL NO. PLATE
				46	8859-1206	4	O-RING

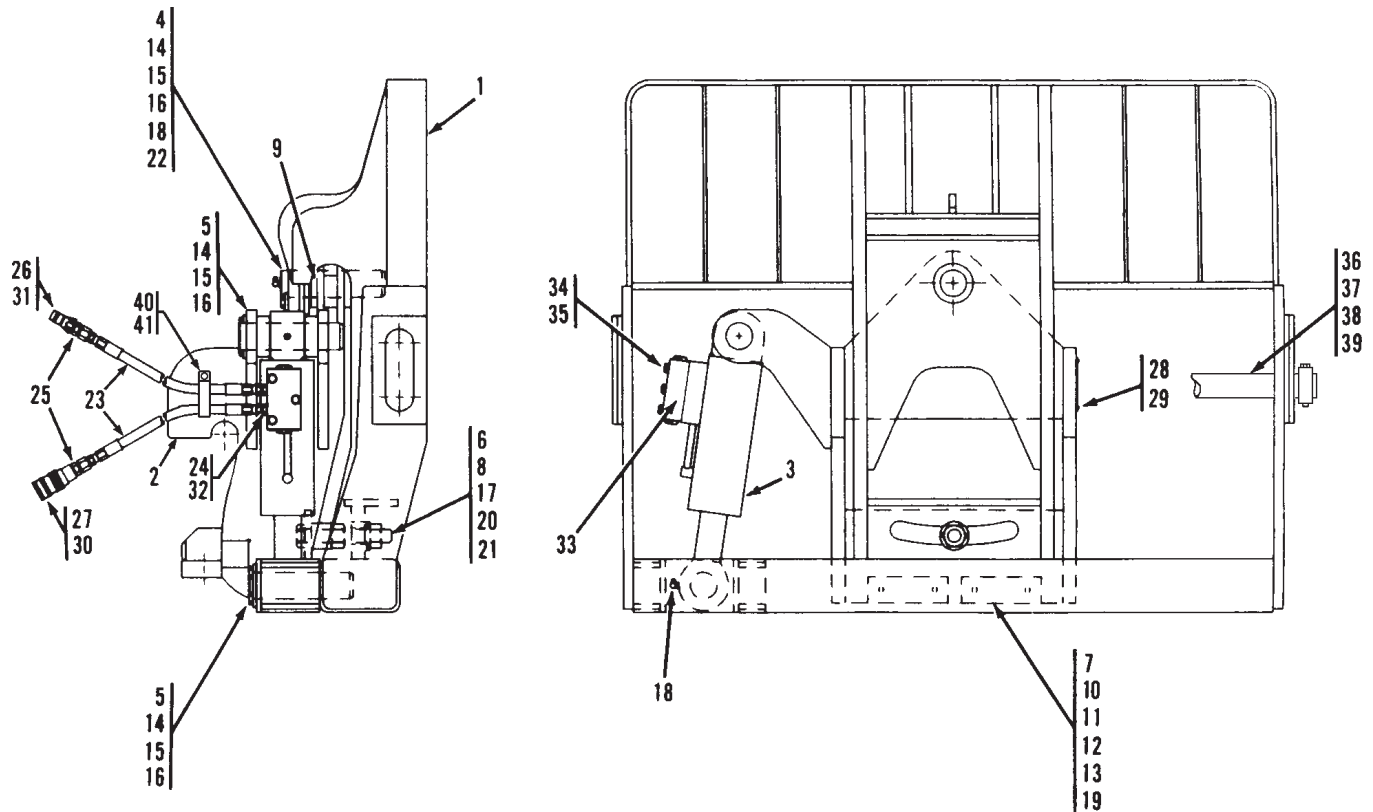


Item	Part No.	Qty.	Description Of Part
	9045-5035	1	6 FT. MAST ASSY, (48" carriage), (includes all items)
	9045-5037	1	6 FT. MAST ASSY, (66" carriage), (includes all items)
	9104-3399	1	534B-9 CAPACITY CHART, (located in cab)
1	9045-3031	1	CARRIAGE WELDMENT - 48"
	9045-3032	1	CARRIAGE WELDMENT - 66"
2	9045-6002	1	ADAPTER WELDMENT
3	8471-7640	1	HOSE ASSY
4	9116-3138	1	MALE HYDRAULIC COUPLING, (Before S/N 2005283-01)
	9140-3414	1	MALE HYDRAULIC COUPLING, (S/N 2005283-01 & After)
5	9104-3126	1	DUST CAP
6	2443-1386	2	CLAMP
7	8820-1037	2	HEX HD CAPSCREW, 3/8-16X1-1/2, GR5
8	8856-1004	2	FLAT WASHER, 3/8

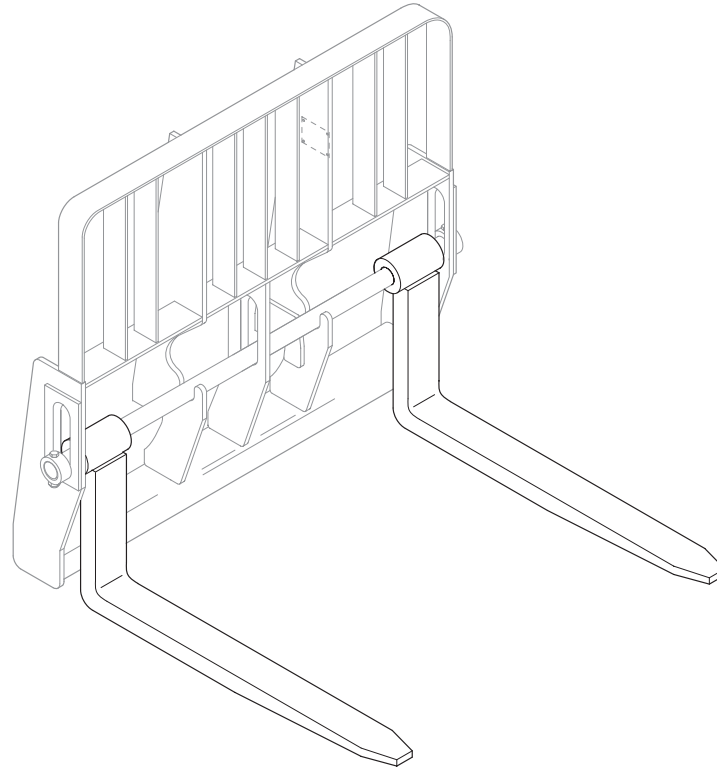
Item	Part No.	Qty.	Description Of Part
9	8866-1013	1	MALE CONNECTOR, 1/2X1/2 TUBE, (Before S/N 2005283-01)
9	8866-2006	1	CONNECTOR, (includes 8859-1205 o-ring), (S/N 2005283-01 & After)
10	8866-1016	1	MALE CONNECTOR, 5/8X1/2 TUBE
11	8866-1180	1	FEMALE ELBOW, 90 DEGREES, 1/2X1/2 TUBE
12	8850-1006	2	HEX NUT, 3/8-16
13	8855-1011	2	LOCKWASHER, 3/8
14	9015-3001	1	SERIAL NO. PLATE
15	8834-1022	4	DRIVE SCREW, #10X3/8
16	9045-1039	1	STOP TUBE
17	9103-4372	2	RETAINING RING
18	9103-4373	2	CHAIN ROLLER
19	9103-4374	6	LOAD ROLLER, (inside carriage frame)
20	9103-4375	AR	SHIM
21	9103-4376	4	SIDE THRUST ROLLER, (small outside roller)
22	9103-4377	2	SCREW

GRADALL®
MATERIAL HANDLER
534B-9

ATTACHMENTS
(9130-5016) 66" Slope Piler Carriage
 Starting Serial No. 0144860S
 Original Issue 8-94
 Revised 6-19-06



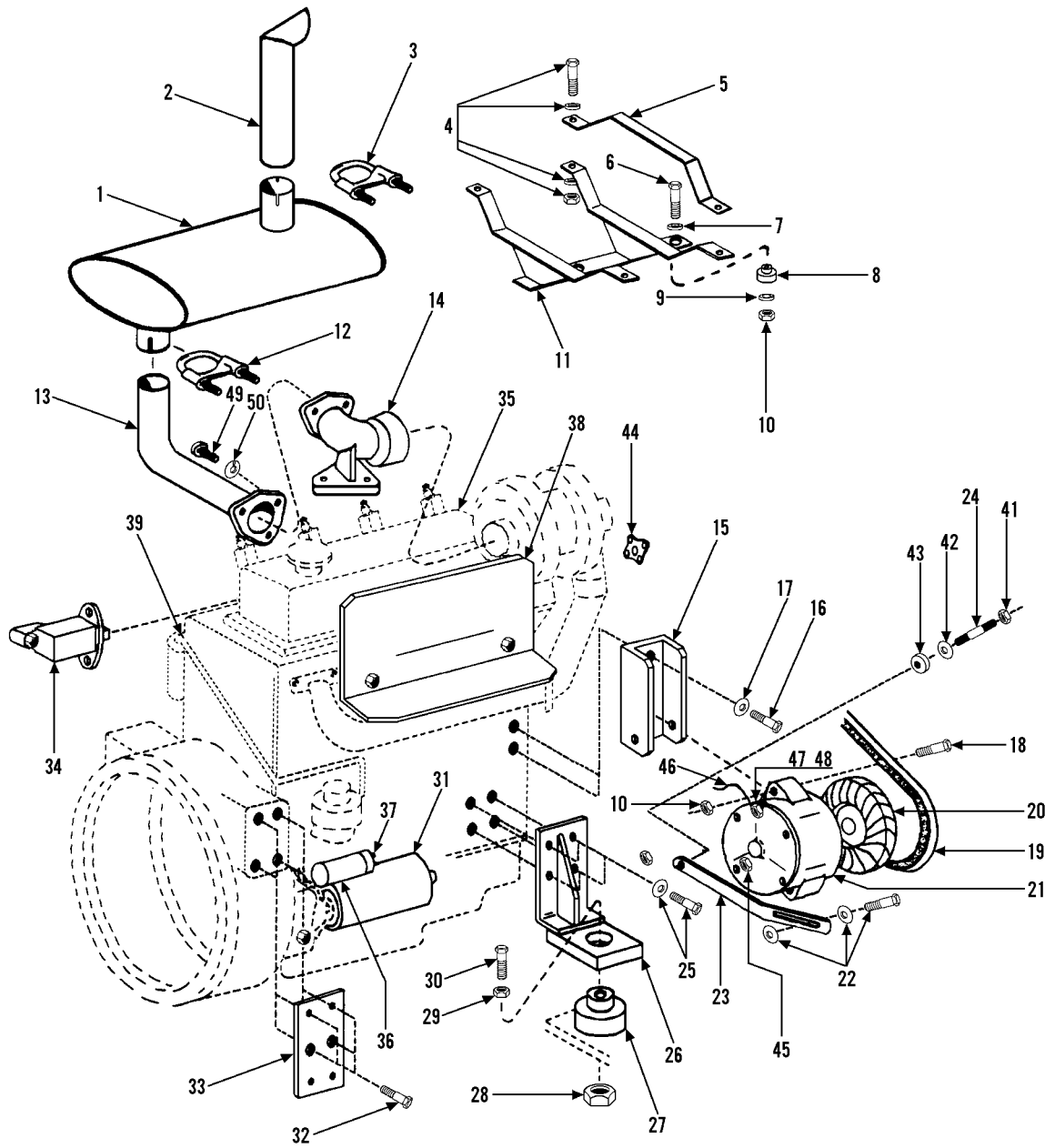
Item	Part No.	Qty.	Description Of Part	Item	Part No.	Qty.	Description Of Part
*	9130-5016	Ref	66" SLOPE PILER CARRIAGE, (includes all items)	*25	8866-1010	2	CONNECTOR, (Before S/N 2005283-01)
	9103-3053	1	CAPACITY DECAL, (not shown)		8866-2018	2	CONNECTOR, (S/N 2005283-01 & After)
1	9130-6030	1	CARRIAGE WELDMENT	*26	9116-3138	1	MALE QUICK DISCONNECT, (Before S/N 2005283-01)
2	9108-6122	1	ADAPTER WELDMENT		9140-3414	1	MALE QUICK DISCONNECT, (S/N 2005283-01 & After)
3		Ref	SWAY CYLINDER, (see page 13-17 for details)	*27	9116-3139	1	FEMALE QUICK DISCONNECT, (Before S/N 2005283-01)
4	9108-3248	1	BUSHING		9140-3413	1	FEMALE QUICK DISCONNECT, (S/N 2005283-01 & After)
*5	3423263	2	PIN	28	8834-1022	4	DRIVE SCREW, #10X3/8
*6	9020-4007	1	TUBE	29	9015-3001	1	SERIAL NUMBER PLATE
*7	9103-3186	2	BEARING PAD	30	9104-3125	1	DUST PLUG
8	9108-1577	1	TAP BOLT	31	9104-3126	1	DUST CAP
9	9108-1594	1	THRUST WASHER	*32	8866-2105	2	ELBOW, 90 DEGREES, (swivel nut)
*10	9020-5870	AR	SHIM	33		Ref	DUAL P.O. CHECK VALVE, (see page 13-18 for details)
11	9103-1236	2	SPACER	34	8820-1040	3	HEX HD CAPSCREW, 3/8-16X2-1/4, GR5
*12	8820-1535	4	HEX HD CAPSCREW, 3/8-24X1-1/4, GR5	35	8855-1011	3	LOCKWASHER, 3/8
*13	8820-1534	4	HEX HD CAPSCREW, 3/8-24X1, GR5	*36	9130-1083	1	FORK PIN
14	9108-1313	3	KEEPER PLATE	*37	9020-0003	2	COLLAR
15	8820-1065	6	HEX HD CAPSCREW, 1/2-13X1, GR5	*38	8820-1105	2	HEX HD CAPSCREW, 5/8-11X4, GR5
16	8855-1013	6	LOCKWASHER, 1/2	*39	8852-1310	2	LOCKNUT, 5/8-11
17	8852-1016	1	HEX LOCKNUT, 1-8	*40	8452-1062	1	SUPPORT CLAMP
*18	8867-1022	2	LUBE FITTING, 90 DEGREES, 1/8	*41	7714-3015	1	WHIZ-LOK NUT, 3/8-16
19	8856-1109	4	FLAT WASHER, 3/8				
20	8850-1016	1	HEX NUT, 1-8				
21	0510-1441	1	WASHER, 1-1/16				
22	9108-1622	1	PIN				
23	8471-6434	2	HOSE ASSY				
24	8366-1316	2	CONNECTOR				



NOTE: FORKS RATED LESS THAN THE ATTACHMENT OR MACHINE'S CAPACITY DECREASE CAPACITY OF THE ATTACHMENT OR MACHINE TO THAT OF THE FORKS. FORKS RATED MORE THAN THE ATTACHMENT OR MACHINE'S CAPACITY DO NOT INCREASE ATTACHMENT OR MACHINE'S CAPACITY.

NOTE: PLEASE CONSULT THE GRADALL PARTS DEPARTMENT TO DETERMINE THE CORRECT FORKS APPLICABLE TO YOUR SPECIFIC CARRIAGE ASSEMBLY AND APPLICATION.

Item	Part No.	Qty.	Description Of Part	Item	Part No.	Qty.	Description Of Part
	9060-0390	2	48" CUBING FORK, 2X2, 3000 lbs., (B, C & D series)		9055-3018	2	72" PALLET FORK, 2X6, 10,000 lbs., (B, C & D series)
	9060-1819	2	48" PALLET FORK, 1-3/4X6, 9000 lbs., (B, C & D series)		9112-3132	2	72" PALLET FORK, 2X6, 10,000 lbs., (B, C & D series)
	9045-3002	2	48" PALLET FORK, 2X4, 8000 lbs., (B, C & D series)		9060-0832	2	48" PALLET FORK, 2-1/4X8, 16,000 lbs., (used on the 542, 552, & 554)
	9055-3005	2	48" PALLET FORK, 2X6, 10,000 lbs., (B, C & D series)		9060-1873	2	48" PALLET FORK, 2-1/4X7, 15,000 lbs., (used on the 542, 552, & 554)
	9055-3008	2	48" PALLET FORK, 1-3/4X4, 5000 lbs., (used on 6' swing mast only, P/N 9045-5047)		9060-0833	2	60" PALLET FORK, 2-1/4X8, 16,000 lbs., (used on the 542, 552 & 554)
	9060-1015	2	60" PALLET FORK, 2X6, 10,000 lbs., (B, C & D series)		9060-1219	2	60" PALLET FORK, 2-1/2X8, 16,000 lbs., (used on the 542, 552 & 554)
	9116-3269	2	60" PALLET FORK, 2X6, 11,300 lbs., (B, C & D series)		9060-1874	2	60" PALLET FORK, 2-1/4X7, 15,000 lbs., (used on the 542, 552 & 554)
	9045-3045	2	60" PALLET FORK, 2X6, 11,300 lbs., (used on 6' swing mast only, P/N 9045-5054)		H045-3002	2	96" PALLET FORK, 2X6, 7500 lbs. loaded center, (B, C & D series)
					9055-3018	2	72" PALLET FORK, 2X6, 10,000 lbs., (B, C & D series)



Item	Part No.	Qty.	Description Of Part
	9103-5141	1	ENGINE & TRANSMISSION FILTER KIT (includes 1 each of the following)
	9020-4732	1	TRANSMISSION FILTER
	9020-6262	1	AIR FILTER
	9103-4005	1	FUEL FILTER
	9103-4006	1	OIL FILTER

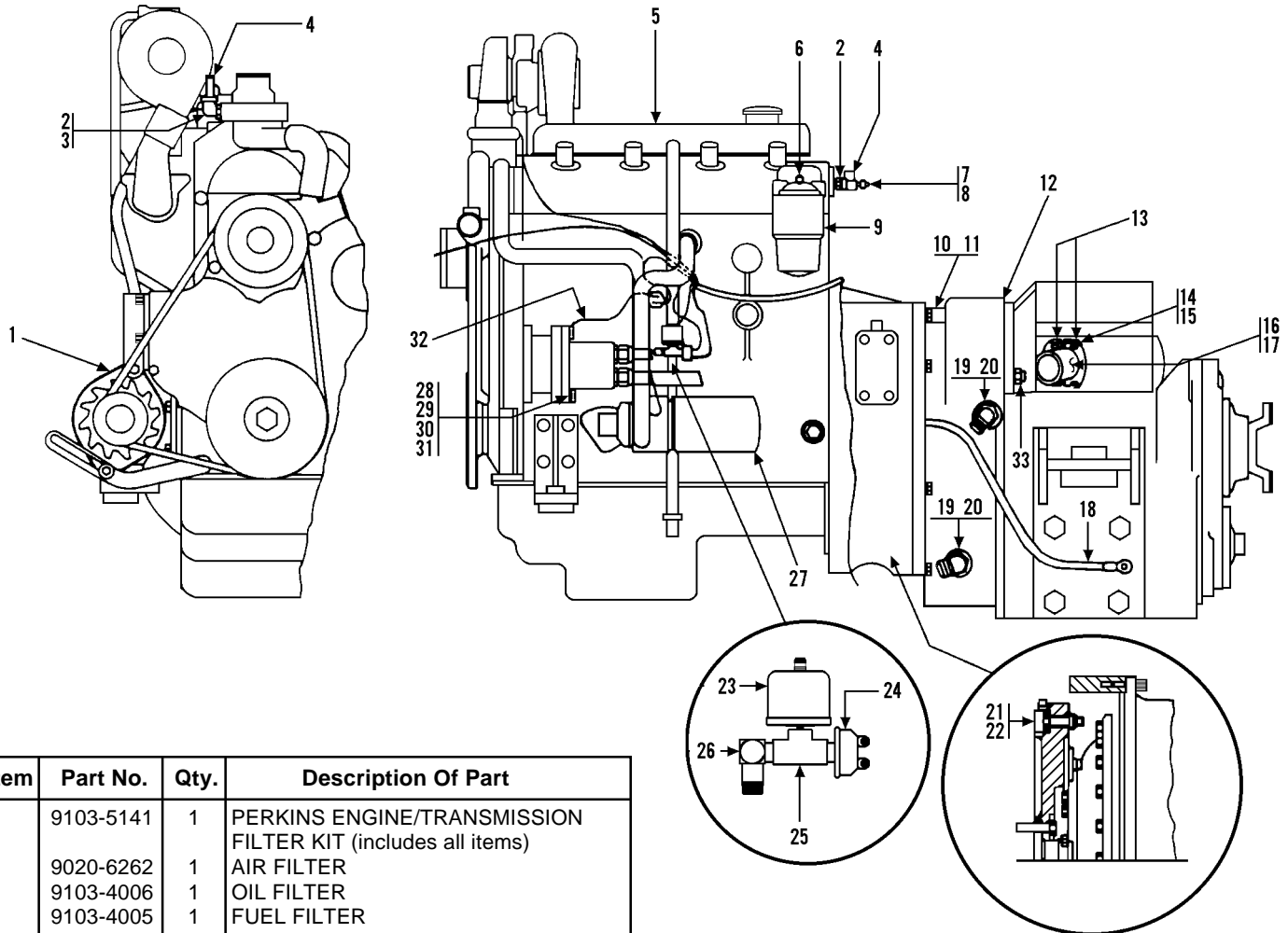
GRADALL®
MATERIAL HANDLER
534B-9

ENGINE & ATTACHING PARTS
Perkins Diesel Engine Mounting
Starting Serial No. 0144860S
Original Issue 10-90
Revised 1-10-99

Item	Part No.	Qty.	Description Of Part	Item	Part No.	Qty.	Description Of Part
1	9103-3053	1	MUFFLER	25	8820-1549	8	HEX HD CAPSCREW, 7/16-20X1, GR5
2	9103-3381	1	STACK CAP		8855-1012	8	LOCKWASHER, 7/16
3	2492-1332	1	CLAMP	26	9103-6009	2	MOTOR MOUNT
4	8820-1009	4	HEX HD CAPSCREW, 1/4-20X2, GR5	27	9020-5032	2	SHOCK MOUNT
	8856-1107	8	FLAT WASHER, 1/4	28	8852-1208	2	HEX LOCKNUT, 1/2-13
	8852-1304	4	HEX LOCKNUT, 1/4-20	29	9020-5031	2	SPECIAL WASHER
5	9103-1045	2	MUFFLER STRAP	30	8820-1072	2	HEX HD CAPSCREW, 1/2-13X2-3/4, GR5
6	8820-1037	2	HEX HD CAPSCREW, 3/8-16X1-1/2, GR5	31	9103-3323	1	STARTER MOTOR
7	8368-1481	2	WASHER		9103-3268	3	MOUNTING STUD
8	8368-3308	2	SHOCK MOUNT	32	8820-1066	2	HEX HD CAPSCREW, 1/2-13X3, GR5
9	8856-1109	2	FLAT WASHER, 3/8		8855-1013	2	LOCKWASHER, 1/2
10	8852-1306	3	HEX LOCKNUT, 3/8-16	33	9103-1041	1	MOUNTING PLATE
11	9103-6072	1	MUFFLER SUPPORT	34		Ref	PILOT PUMP (see page 10-15 for details)
12	8368-3175	1	CLAMP	35	9103-3258	1	PERKINS DIESEL ENGINE (see separate engine manual for parts information)
13	9103-6099	1	HEADER PIPE	36	9103-3133	2	NUT, M5X.08
14	9103-6012	1	EXHAUST MANIFOLD	37	9103-3134	1	NUT, M10X1.5
	8820-1534	3	HEX HD CAPSCREW, 3/8-24X1, GR5	38	9103-1152	1	HEAT SHIELD
	8855-1011	3	LOCKWASHER, 3/8	39	9103-3136	1	1/4" X 3" TUBE (Fuel Filter)
15	9103-1395	1	ALTERNATOR BRACKET	40	9103-3246	1	OIL PRESSURE SENDER (100 PSI) (not shown)
16	8820-1534	2	HEX HD CAPSCREW, 3/8-24X1, GR5	41	8850-1005	1	HEX NUT, 5/16-18
17	1200-1234	2	HARDENED WASHER, 3/8	42	8855-1010	1	LOCKWASHER, 5/16
18	8820-1045	1	HEX HD CAPSCREW, 3/8-16X3-1/2, GR5	43	8667-1164	2	SPACER
19	9103-3248	1	FAN BELT	44	9103-3256	1	FAN BLADE SPACER
20	9103-3074	1	ALTERNATOR FAN	45	8319-1019	1	HEX NUT, M6X1
21	9103-3234	1	ALTERNATOR	46	9020-7497	1	JUMPER WIRE
22	8319-1028	1	BOLT, M8X1.25, GR8	47	8319-1007	1	HEX HD CAPSCREW, M8X1.25, GR8
	8319-1011	1	LOCKWASHER, M8	48	8319-1011	1	LOCKWASHER, M8
	9002-7469	1	HARDENED WASHER	* 49	8820-1534	3	HEX HD CAPSCREW, 3/8-24X1, GR5
23	9103-1404	1	ALTERNATOR ADJUSTMENT STRAP	* 50	8855-1011	3	LOCKWASHER, 3/8
24	9103-3329	1	STUD				

GRADALL®
MATERIAL HANDLER
534B-9

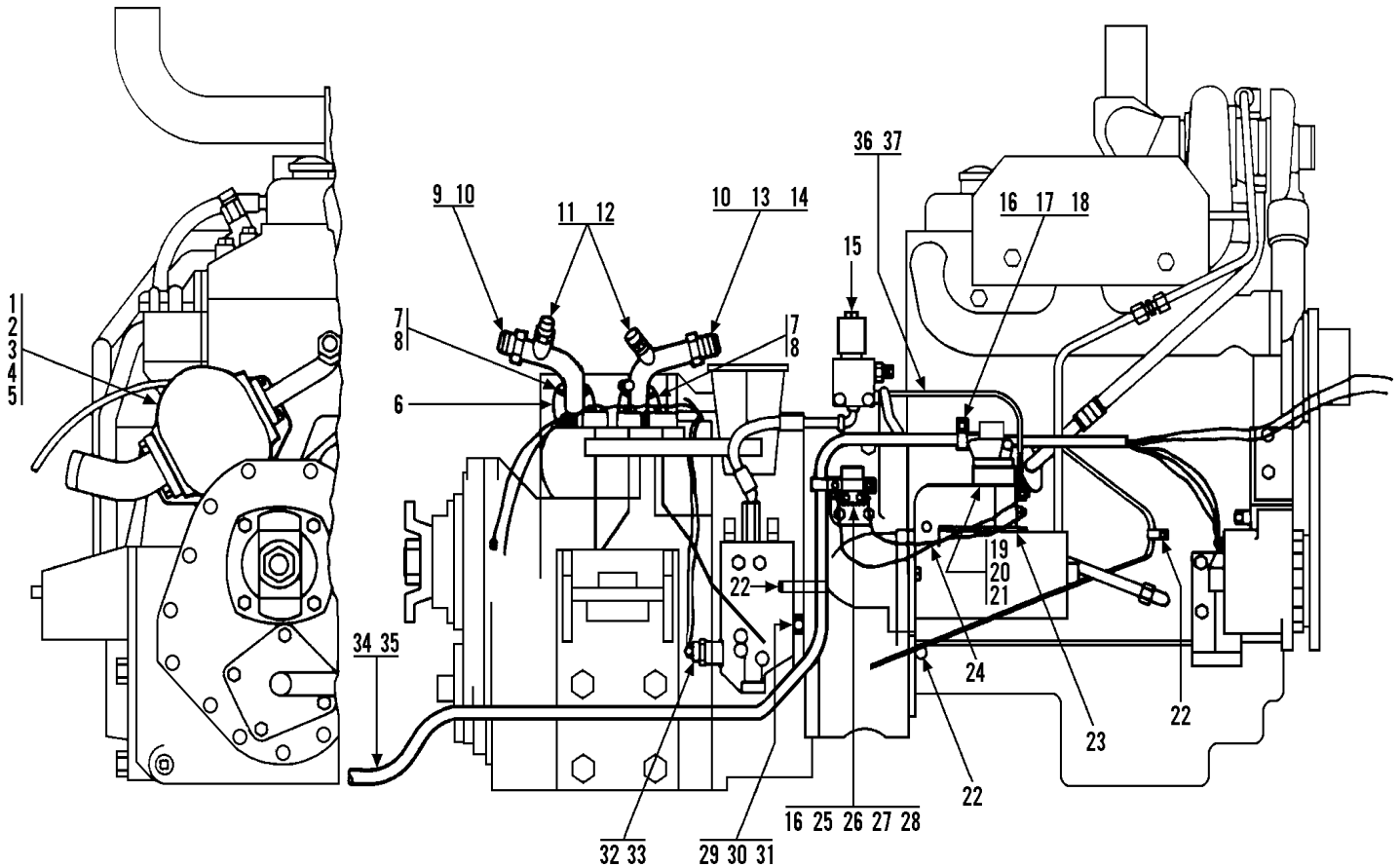
ENGINE & ATTACHING PARTS
Engine Right Side View
 Starting Serial No. 0144860S
 Original Issue 10-90
 Revised 12-20-95



Item	Part No.	Qty.	Description Of Part
	9103-5141	1	PERKINS ENGINE/TRANSMISSION FILTER KIT (includes all items)
	9020-6262	1	AIR FILTER
	9103-4006	1	OIL FILTER
	9103-4005	1	FUEL FILTER
	9020-4732	1	TRANSMISSION FILTER

Item	Part No.	Qty.	Description Of Part
1	9103-3234	Ref	ALTERNATOR (see page 5-1 for details)
2	8871-1383	2	REDUCING BUSHING, 1/2 X 3/8
3	8871-1102	1	STREET ELBOW, 90 DEGREES, 3/8
4	2464-1328	2	SHUT-OFF VALVE
5	9103-3258	1	PERKINS DIESEL ENGINE (For Parts Information see Separate Engine Manual)
6	9103-3136	1	FUEL FILTER TUBE, 1/4 X 3
7	8871-1381	1	REDUCING BUSHING, 3/8 X 1/4
8	9020-6124	1	WATER TEMPERATURE SENDER
9	9103-4005	1	FUEL FILTER ELEMENT
10	8820-1037	11	HEX HD CAPSCREW, 3/8-16 X 1-1/2, GR5
11	8855-1011	11	LOCK WASHER, 3/8
12	9103-3319	Ref	TRANSMISSION ASSY (see pages 6-1 through 6-10 for details)
13	9103-1079	2	FLANGE HALF
14	8820-1067	4	HEX HD CAPSCREW, 1/2-13 X 1-1/2, GR5
15	8855-1013	4	LOCK WASHER, 1/2
16	9103-3049	1	SUCTION TUBE

Item	Part No.	Qty.	Description Of Part
17	9002-8225	1	O RING
18	9020-0811	1	GROUND CABLE
19	8866-2067	2	ELBOW, 90 DEGREES (includes item 20)
20	8859-1207	2	O RING
21	8820-1538	8	HEX HD CAPSCREW, 3/8-24 X 2, GR5 (lubricate and torque to 25-30 ft. lbs.)
22	8856-1003	8	FLAT WASHER, 3/8
23	9103-3246	1	OIL PRESSURE SENDER
24	2474-1047	1	SWITCH
25	8871-2231	1	STREET TEE, 1/8
26	8869-1345	1	CONNECTOR, 90 DEGREES, 1/8
27	9103-4006	1	OIL FILTER ELEMENT
28	8820-1535	2	HEX HD CAPSCREW, 3/8-24 X 1-1/4, GR5
29	8855-1011	2	LOCKWASHER, 3/8
30	9104-3297	Ref	PILOT PUMP ASSY (see page 10-15 for details)
31	8667-1112	1	PUMP GASKET
32	9103-1197	1	JUMPER WIRE
33	9103-3283	1	OIL TEMPERATURE SENDER

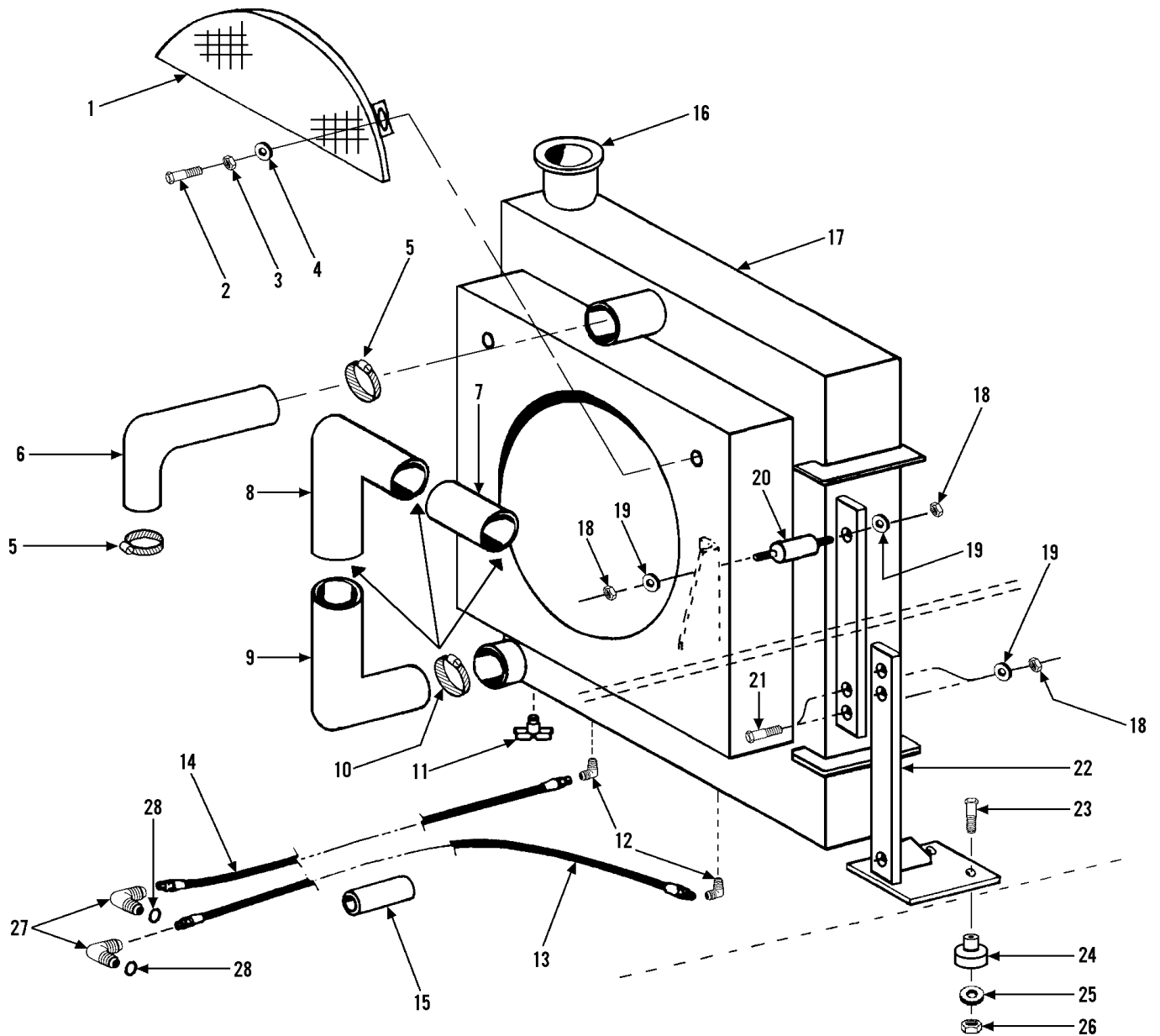


Item	Part No.	Qty.	Description Of Part	Item	Part No.	Qty.	Description Of Part
1	9103-3226	Ref	MAIN HYDRAULIC PUMP ASSY (see page 10-14 for details)	18	8856-1109	1	FLAT WASHER, 3/8
2	7713-4059	1	PUMP GASKET	19		1	HOSE, 5/16 O.D., 8' LONG
3	8820-1067	2	HEX HD CAPSCREW, 1/2-13 X 1-1/2, GR5	20	9103-3131	1	CONNECTOR
4	8540-1340	2	HARDENED WASHER	21	8348-3497	1	CLAMP
5	8855-1013	2	LOCKWASHER, 1/2	22	8594-1017	3	HOSE CLAMP
6	8471-1369	2	FLANGE HALF	23	9020-5205	1	JUMPER WIRE
7	8820-1036	8	HEX HD CAPSCREW, 3/8-16 X 1-1/4, GR5	24	9020-7497	1	JUMPER WIRE
8	8855-1011	8	LOCKWASHER, 3/8	25	9040-2427	1	STARTER SOLENOID
9	9103-3407	1	TUBE LINE	26	8820-1001	2	HEX HD CAPSCREW, 1/4-20 X 1/2, GR5
10	8503-1525	2	O-RING	27	8856-1107	2	FLAT WASHER, 1/4
11	7713-3089	2	MINI-CHECK COUPLING	28	8855-1009	2	LOCKWASHER, 1/4
12	8859-1204	2	O-RING	29	9020-5002	1	STUD
13	8471-1369	2	FLANGE HALF	30	8850-1006	1	HEX NUT, 3/8-16
14	9103-3407	1	TUBE LINE	31	8855-1011	1	LOCKWASHER, 3/8
15	9020-6739	Ref	SOLENOID VALVE ASSY (see page 10-11 for details)	32	8998-1036	2	PAN HD MACHINE SCREW, #8-32 X 3/8
16	8652-1144	2	SUPPORT CLAMP	33	8856-1006	2	LOCKWASHER, #8
17	8820-1031	1	HEX HD CAPSCREW, 3/8-16 X 1/2, GR5	34	9103-3079	1	WIRING HARNESS
				35	9002-7187	5	NYLON TY-RAP
				36	7149-2134	84"	LOOM
				37	8668-3122	7	TY-RAP

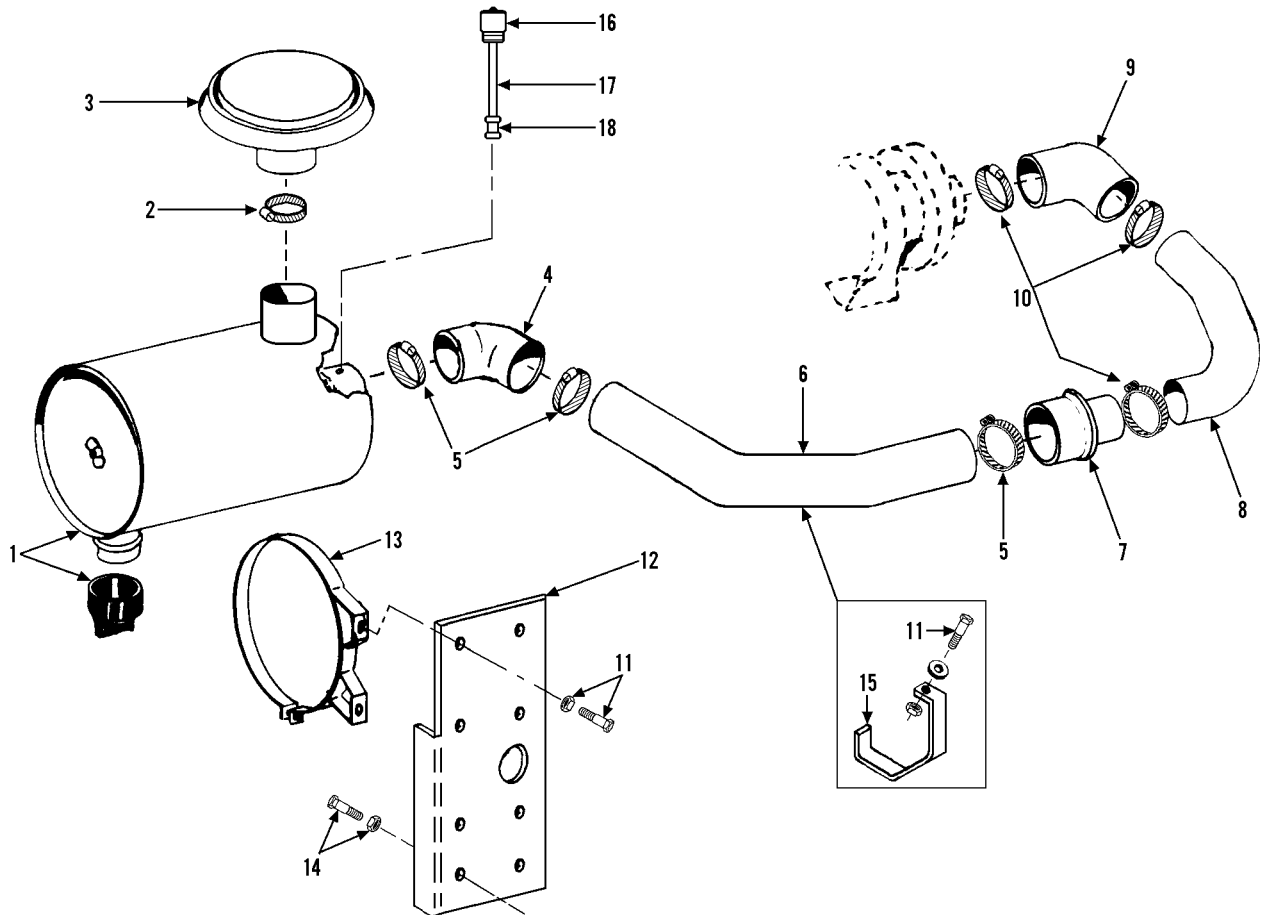
L-910032 - added items #36 and #37.

GRADALL®
MATERIAL HANDLER
534B-9

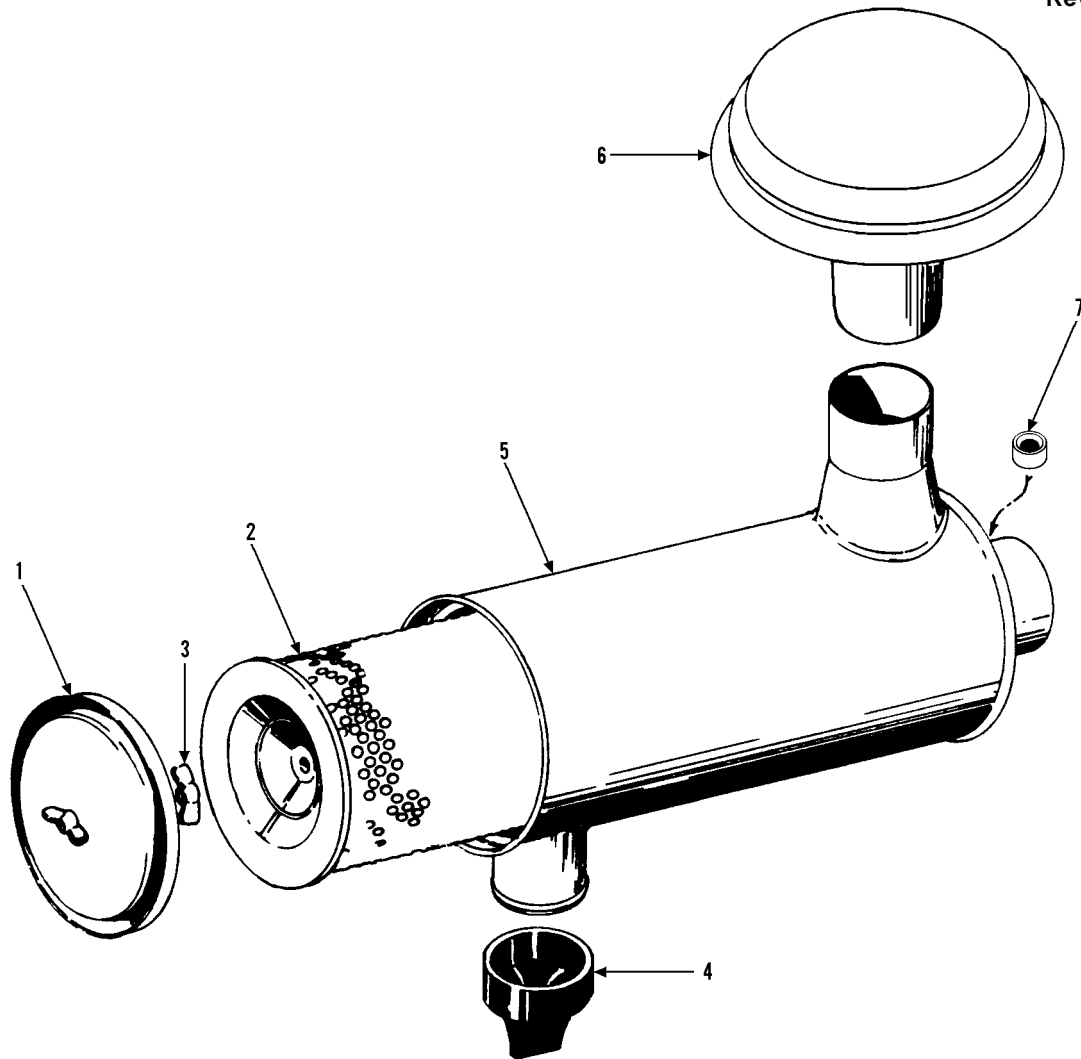
ENGINE & ATTACHING PARTS
Radiator & Hoses
 Starting Serial No. 0144860S
 Original Issue 10-90



Item	Part No.	Qty.	Description Of Part	Item	Part No.	Qty.	Description Of Part
1	9103-6051	1	FAN GUARD	16	9103-4160	1	RADIATOR CAP
2	8820-1003	2	HEX HD CAPSCREW, 1/4-20 X 3/4, GR5	17	9103-3254	1	RADIATOR
3	8855-1009	2	LOCK WASHER, 1/4	18	8852-1305	8	HEX LOCKNUT, 5/16 - 18
4	8856-1107	2	FLAT WASHER, 1/4	19	8856-1108	8	FLAT WASHER, 5/16
5	8507-1128	2	HOSE CLAMP	20	9103-3137	2	SHOCK MOUNT
6	9103-3132	1	UPPER RADIATOR HOSE	21	8820-1021	4	HEX HD CAPSCREW, 5/16-18 X 1-1/4, GR5
7	9103-3062	1	HOSE CONNECTOR	22	9100-6016	1	LEFT RADIATOR MOUNT
8	9103-3061	1	LOWER WATER PIPE		9100-6017	1	RIGHT RADIATOR MOUNT
9	9103-3063	1	LOWER RADIATOR HOSE	23	8820-1039	4	HEX HD CAPSCREW, 3/8-16 X 2, GR5
10	8504-1654	4	HOSE CLAMP	24	8368-3308	4	SHOCK MOUNT
11	8452-1056	1	DRAIN PETCOCK	25	9020-5918	8	SPECIAL WASHER
12	8866-1118	2	MALE ELBOW, 90 DEGREES, 3/4 TUBE	26	8852-1206	4	HEX LOCKNUT, 3/8-16
13	8471-7570	1	HOSE ASSY	27	8866-2067	2	ELBOW, 90 DEGREES (includes item #28)
14	8471-7571	1	HOSE ASSY	28	8859-1207	2	O RING
15	9020-7622	1	HOSE GUARD				



Item	Part No.	Qty.	Description Of Part
1	9020-5663	1	AIR CLEANER
2	8503-1160	1	CLAMP
3	9103-3028	1	INLET CAP
4	9103-3056	1	ELBOW - 90 DEGREES
5	9002-7713	3	HOSE CLAMP
6	9103-3060	1	INTAKE TUBE
7	9103-3055	1	REDUCER
8	9103-3059	1	INTAKE TUBE
9	9103-3058	1	REDUCING ELBOW
10	8688-3327	3	CLAMP
11	8820-1020	5	HEX HD CAPSCREW, 5/16-18 X 1, GR5
	8856-1108	5	FLAT WASHER, 5/16
	8852-1205	5	HEX LOCKNUT, 5/16-18
12	9103-1042	1	AIR CLEANER BRACKET
13	7710-3138	2	MOUNTING BANDS
14	8820-1018	4	HEX HD CAPSCREW, 5/16-18 X 3/4, GR5
	8855-1010	4	LOCKWASHER, 5/16
15	9103-1154	1	BRACKET
16	7738-3154	1	SERVICE INDICATOR
17	8870-1023	1	NIPPLE, 1/8 X 3
18	8871-1210	1	PIPE COUPLING, 1/8



Item	Part No.	Qty.	Description Of Part
	9020-5663	1	AIR CLEANER (includes items 1 through 5)
1	9020-6606	1	COVER W/NUT
2	9020-6262	1	ELEMENT
3	9020-1414	1	WING NUT
4	9020-0807	1	VACUATOR
* 5		1	BODY (not sold separately order P/N 9020-5663)
6	9103-3028	1	AIR INLET CAP
7	9002-8682	1	CAP, 1/8" NPT

GRADALL®
MATERIAL HANDLER
534B-9

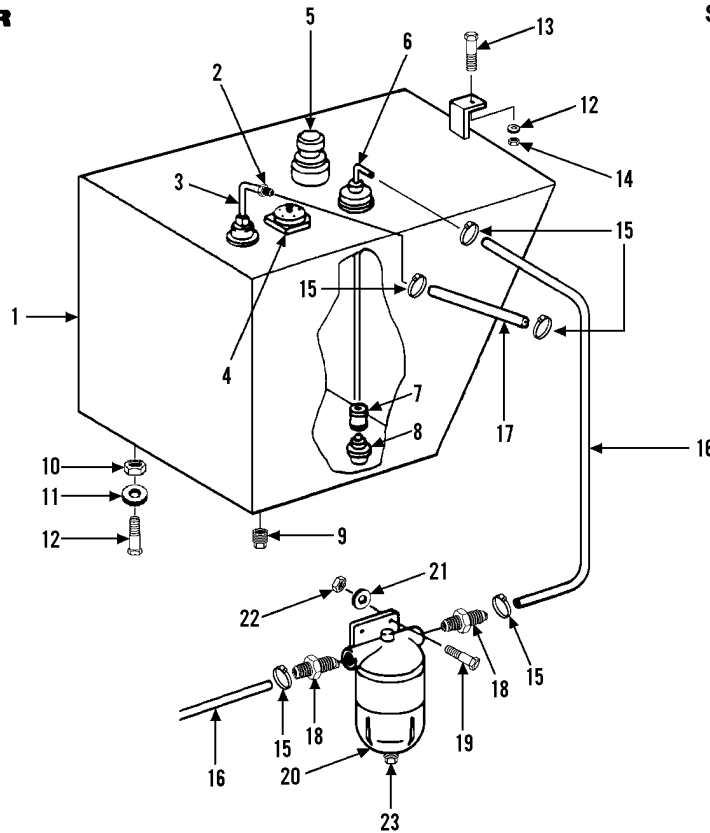
ENGINE & ATTACHING PARTS

Fuel Tank & Lines

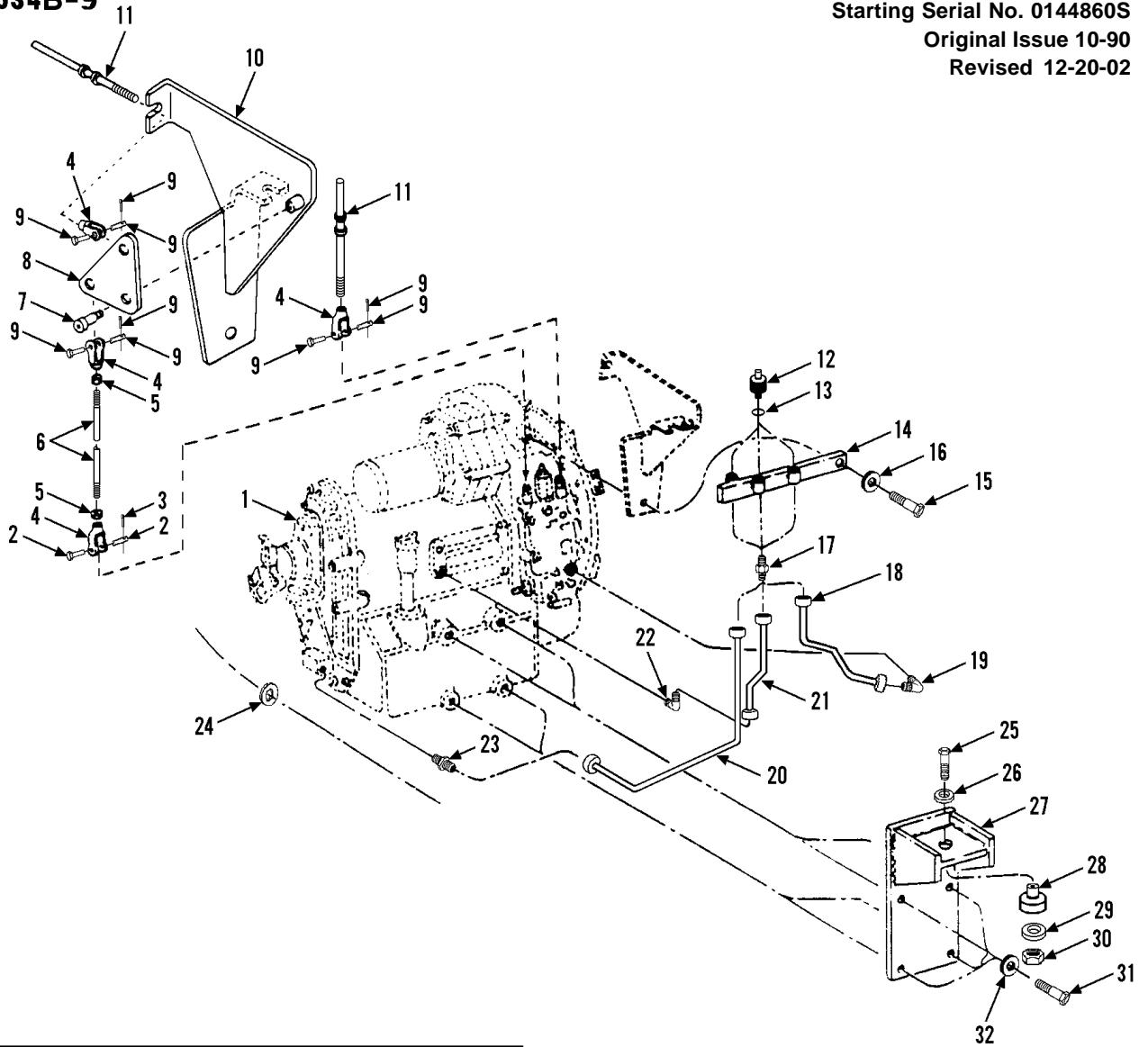
Starting Serial No. 0144860S

Original Issue 10-90

Revised 10-16-96

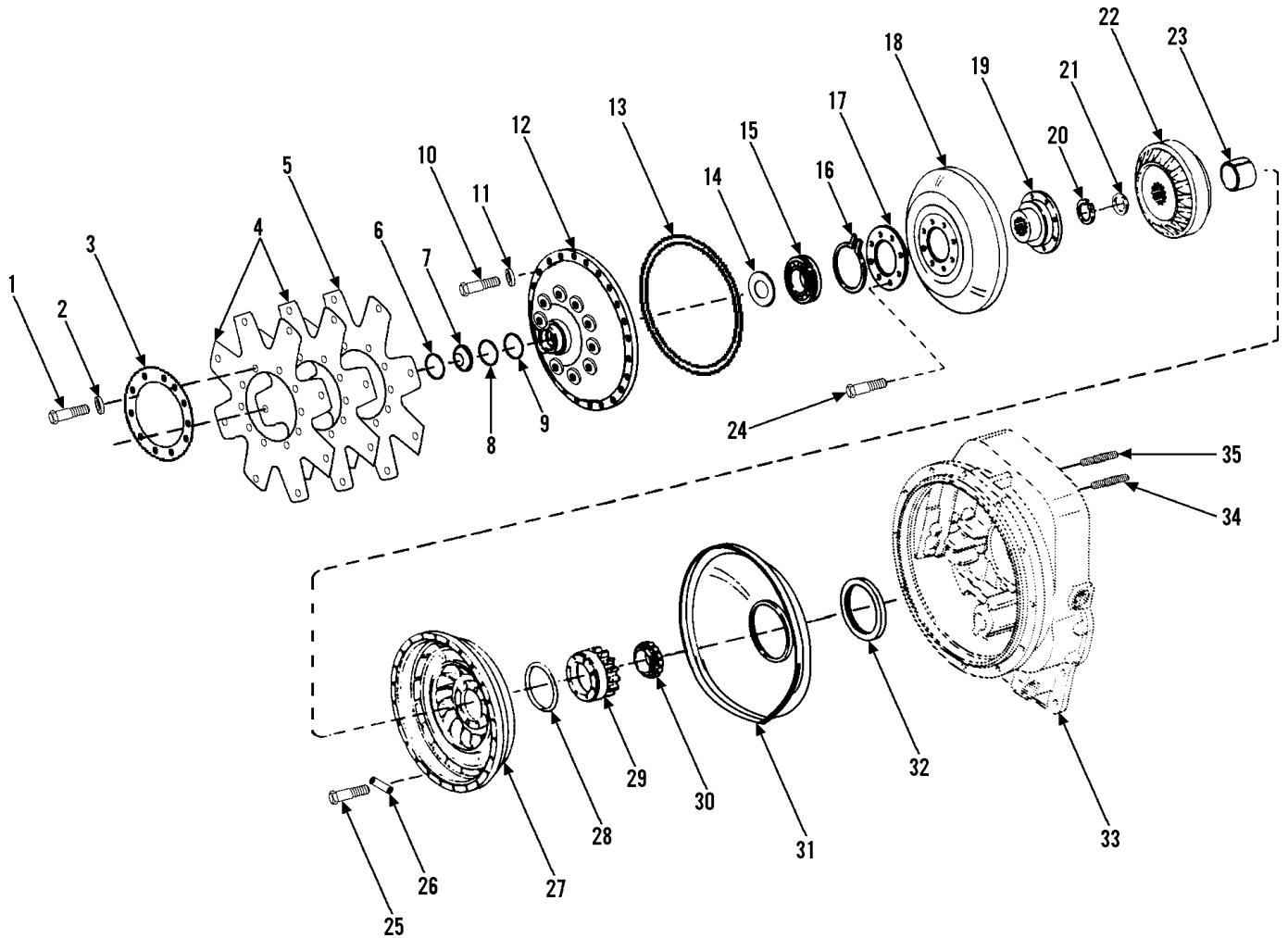


Item	Part No.	Qty.	Description Of Part
	9103-5093	1	FUEL TANK ASSY (includes items 1 thru 9)
1	9103-6047	1	FUEL TANK WELDMENT
2	9002-8674	1	PUSH LOCK FITTING
3	9040-2827	1	STANDPIPE WELDMENT
4	9040-0654	1	FUEL LEVEL SENDER (includes gasket and mounting hardware)
5	9100-3186	1	FILLER - BREATHER (includes gasket and mounting hardware)
*	8654-1381	1	SCREW ON GAS CAP
6	9105-6106	1	STANDPIPE WELDMENT
7	8871-1212	1	PIPE COUPLING, 1/4
8	9020-5223	1	SUCTION SCREEN
9	8871-1255	1	SQUARE HD PIPE PLUG, 1"
10	8820-1066	2	HEX HD CAPSCREW, 1/2-13X1-1/4, GR5
11	8855-1013	2	LOCKWASHER, 1/2
12	8856-1111	4	FLAT WASHER, 1/2
13	8820-1070	1	HEX HD CAPSCREW, 1/2-13X2-1/4, GR5
14	8852-1208	1	HEX LOCKNUT, 1/2-13
15	8668-3106	6	HOSE CLAMP
16		AR	HOSE, 5/16 I.D.
17		AR	HOSE, 1/4 I.D.
18	9103-3131	2	BARB CONNECTOR
19	8820-1021	2	HEX HD CAPSCREW, 5/16-18X1-1/4, GR5
20	9103-3054	1	WATER SEPARATOR
21	8856-1108	2	FLAT WASHER, 5/16
22	8852-1305	2	HEX LOCKNUT, 5/16-18
23	9103-4396	1	SCREW ASSY (push-on type)
			NOTE: ONLY ITEMS WITH PART NUMBERS ARE AVAILABLE FOR SERVICE.

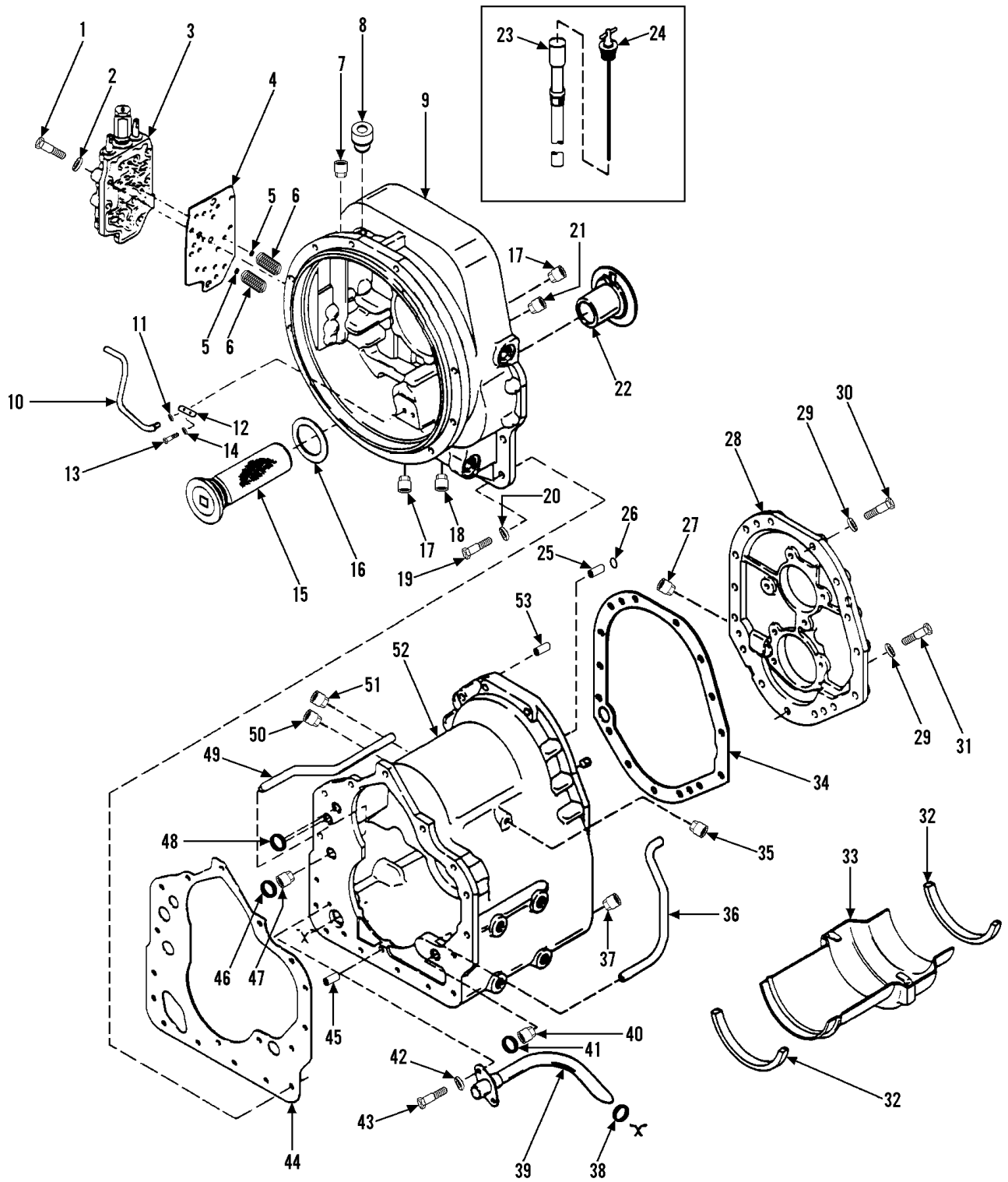


Item	Part No.	Qty.	Description Of Part
1	9103-4326	1	TRANSMISSION O-RING KIT
	9103-4327	1	TORQUE CONVERTER O-RING KIT
	9103-3319	1	TRANSMISSION ASSY, (includes all items shown on pages 6-2 thru 6-10)
2	8863-3002	2	YOKE PIN, 5/16
3	8863-1308	2	COTTER PIN, 3/32X1/2
4	8882-1003	4	ADJUSTABLE YOKE END, 5/16-24
* 5	8850-1405	2	HEX JAM NUT, 5/16-24
6	9106-1094	1	THREADED ROD
7	8825-1017	1	SOCKET HD SHOULDER SCREW, 3/8X3/8, (5/16-18 thread)
8	9106-1095	1	BELLCRANK
9	9002-7720	2	YOKE PIN ASSY
10	9106-6035	1	TRANSMISSION SHIFT BRACKET
11	9020-3374	2	PUSH-PULL CONTROL CABLE
12	9103-5112	3	PRESSURE SWITCH
13	8859-1201	3	O-RING
14	9040-3349	1	SWITCH BRACKET
* 15	8820-1066	1	HEX HD CAPSCREW, 1/2-13X1-1/4, GR5
16	8855-1013	1	LOCKWASHER, 1/2
17	8874-3000	3	MALE ADAPTER, 1/8X1/4 TUBE
18	9020-7258	1	TUBE LINE

Item	Part No.	Qty.	Description Of Part
19	8874-3041	1	MALE ADAPTER, 90 DEGREES, 1/8X1/4
20	9020-7256	1	TUBE LINE
21	9020-7257	1	TUBE LINE
22	8874-3055	1	MALE ELBOW, 90 DEGREES, 1/4X1/4 TUBE
23	9002-8750	1	ADAPTER
24	9020-2303	2	CABLE GROMMET
* 25	8820-1120	2	HEX HD CAPSCREW, 3/4-10X4-1/2, GR5
* 26	9020-7219	2	WASHER
* 27	9103-6008	2	MOUNTING BRACKET
* 28	9060-0097	2	SHOCK MOUNT
* 29	8856-1115	2	FLAT WASHER, 3/4
* 30	8852-1012	2	HEX LOCKNUT, 3/4-10
31	8820-1110	8	HEX HD CAPSCREW, 3/4-10X1-3/4, GR5
32	8855-1016	8	LOCKWASHER, 3/4
33		Ref	OIL TEMP SENSOR, (not shown, see page 5-2 for details)
34		Ref	TRANS. TEMP. GAGE, (not shown, see page 11-1 for details)

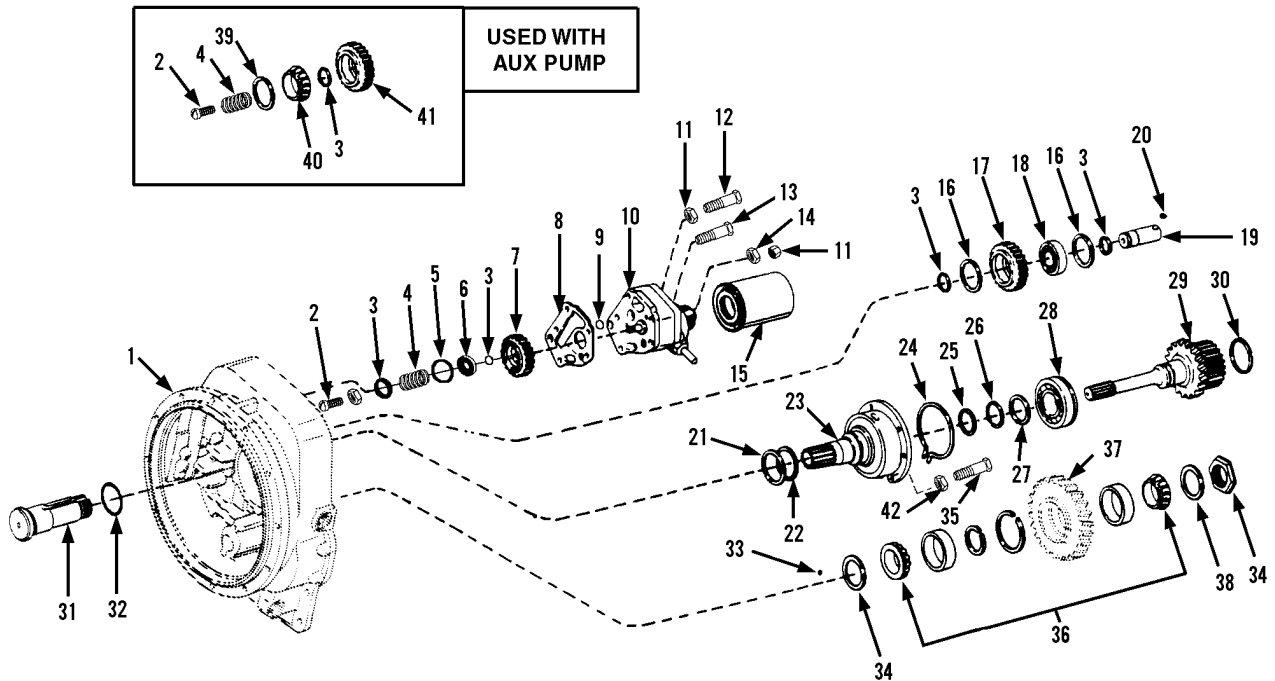


Item	Part No.	Qty.	Description Of Part	Item	Part No.	Qty.	Description Of Part
	9103-4238	1	DRIVE PLATE KIT ASSY (includes items 1 through 5)	17	9103-4239	1	TURBINE RING
1	7710-4045	10	HEX HD CAPSCREW & LOCK WASHER ASSY (includes item 2)	18	9103-4240	1	TURBINE
2		10	LOCK WASHER	19	9103-4241	1	TURBINE HUB
3	7710-4044	1	DRIVE PLATE BACKING RING	20	7710-4032	1	TURBINE RETAINING RING
4	9020-4784	2	DRIVE PLATE	21	7710-4031	1	RETAINING RING
5	7710-4042	1	DRIVE PLATE ASSY	22	7710-4030	1	REACTION MEMBER
6	7710-4041	1	BORE PLUG RETAINING RING	23	9103-4242	1	SPACER
7	7710-4040	1	BORE PLUG	24	9103-4243	12	HEX HD CAPSCREW
8	7710-4039	1	O-RING	25	9103-4244	8	HEX HD CAPSCREW
9	7710-4032	1	TURBINE RETAINING RING	26	7710-4027	4	LOCK TAB
10	7710-4046	24	HEX HD CAPSCREW & LOCK WASHER ASSY (includes item 11)	27	9020-4767	1	IMPELLER
11		24	LOCK WASHER	28	7710-4012	1	O-RING
12	9020-4779	1	IMPELLER COVER ASSY (includes item 6)	29	9020-6386	1	IMPELLER HUB GEAR
13	7710-4037	1	O-RING	30	9020-6385	1	IMPELLER HUB GEAR BEARING
14	7710-4036	1	BEARING RETAINING WASHER	31	9020-4756	1	OIL BAFFLE ASSY
15	7710-4035	1	TURBINE HUB BEARING	32	9020-4755	1	OIL SEAL
16	7710-4034	1	BEARING LOCATING RING	33	9103-4246	Ref	CONVERTER HOUSING (see page 6-3 for details)
				34	9020-6378	1	PUMP MOUNTING STUD
				35	9020-6379	1	PUMP MOUNTING STUD

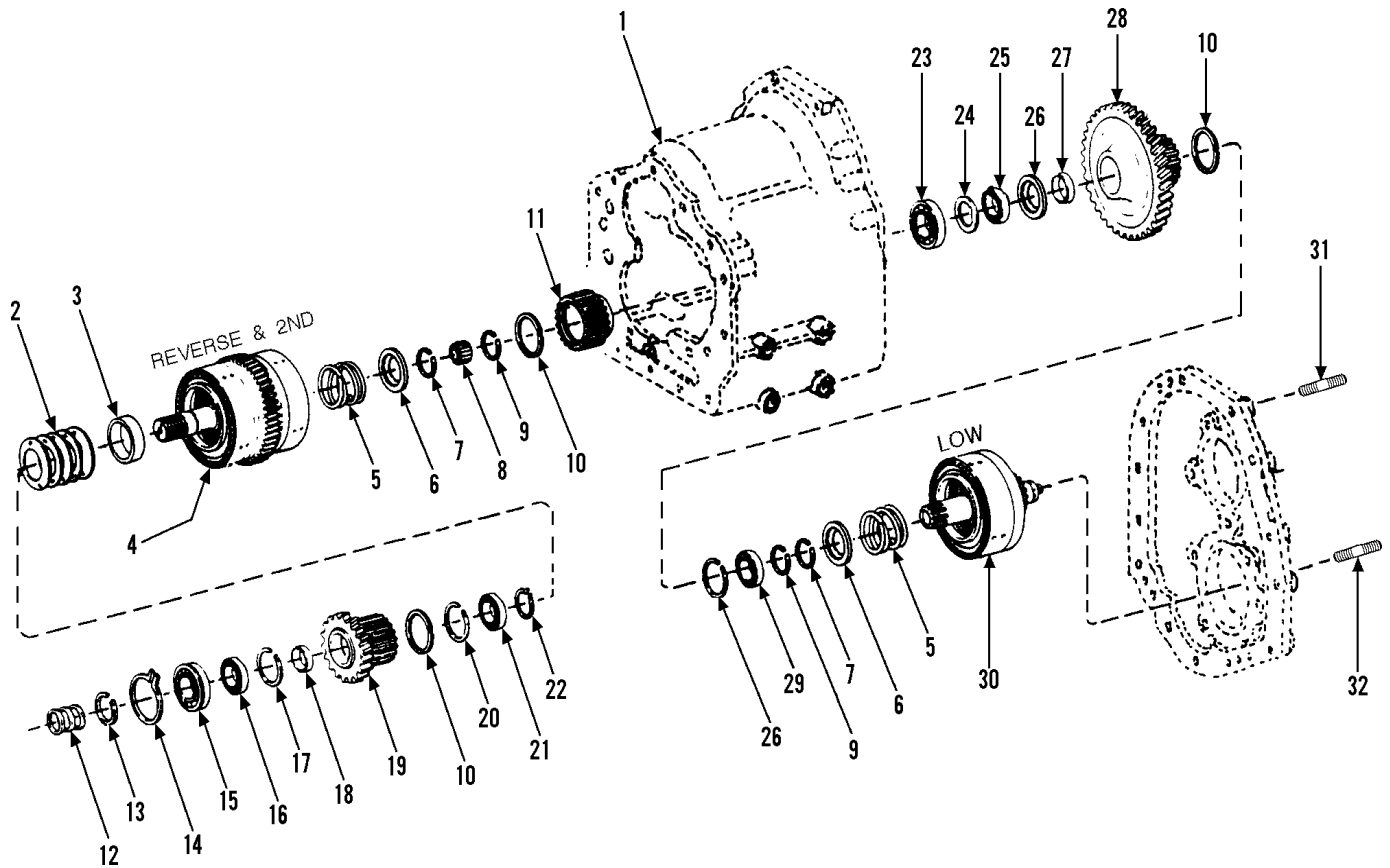


Item	Part No.	Qty.	Description Of Part
1	8820-1046	9	HEX HD CAPSCREW, 3/8-16 X 3-3/4, GR5
2	8855-1011	9	LOCK WASHER, 3/8
3	9103-4260	Ref	CONTROL VALVE ASSY (see page 6-9 for details)
4	9103-4245	1	GASKET
5	7710-4284	2	DETENT BALL
6	7710-4285	2	DETENT SPRING
7	7710-4112	1	PIPE PLUG
8	7710-4096	1	AIR BREATHER
9	9103-4246	1	CONVERTER HOUSING ASSY (includes items 10 through 14)
10	9104-4050	1	LUBE BYPASS TUBE
11	9104-4051	1	O-RING
12	9104-4052	1	TUBE CLIP
13	7710-4102	1	HEX HD CAPSCREW
14	7710-4103	1	LOCK WASHER
15	9020-4800	1	SCREEN ASSY
16	9020-4799	1	SCREEN GASKET
17	9002-7267	2	PIPE PLUG
18	7710-4116	1	PIPE PLUG
19	7710-4086	16	HEX HD CAPSCREW
20	7710-4085	16	LOCK WASHER
21	7710-4116	1	PIPE PLUG
22	7710-4097	1	CONVERTER HOUSING SLEEVE
23	9020-4823	1	DIPSTICK TUBE
24	9020-4824	1	DIPSTICK
25	7710-4109	1	TUBE SLEEVE
26	7710-4111	1	O-RING
27	7710-4116	1	COVER PIPE PLUG
28	9020-4798	1	COVER & PLUG ASSY (includes item 27)

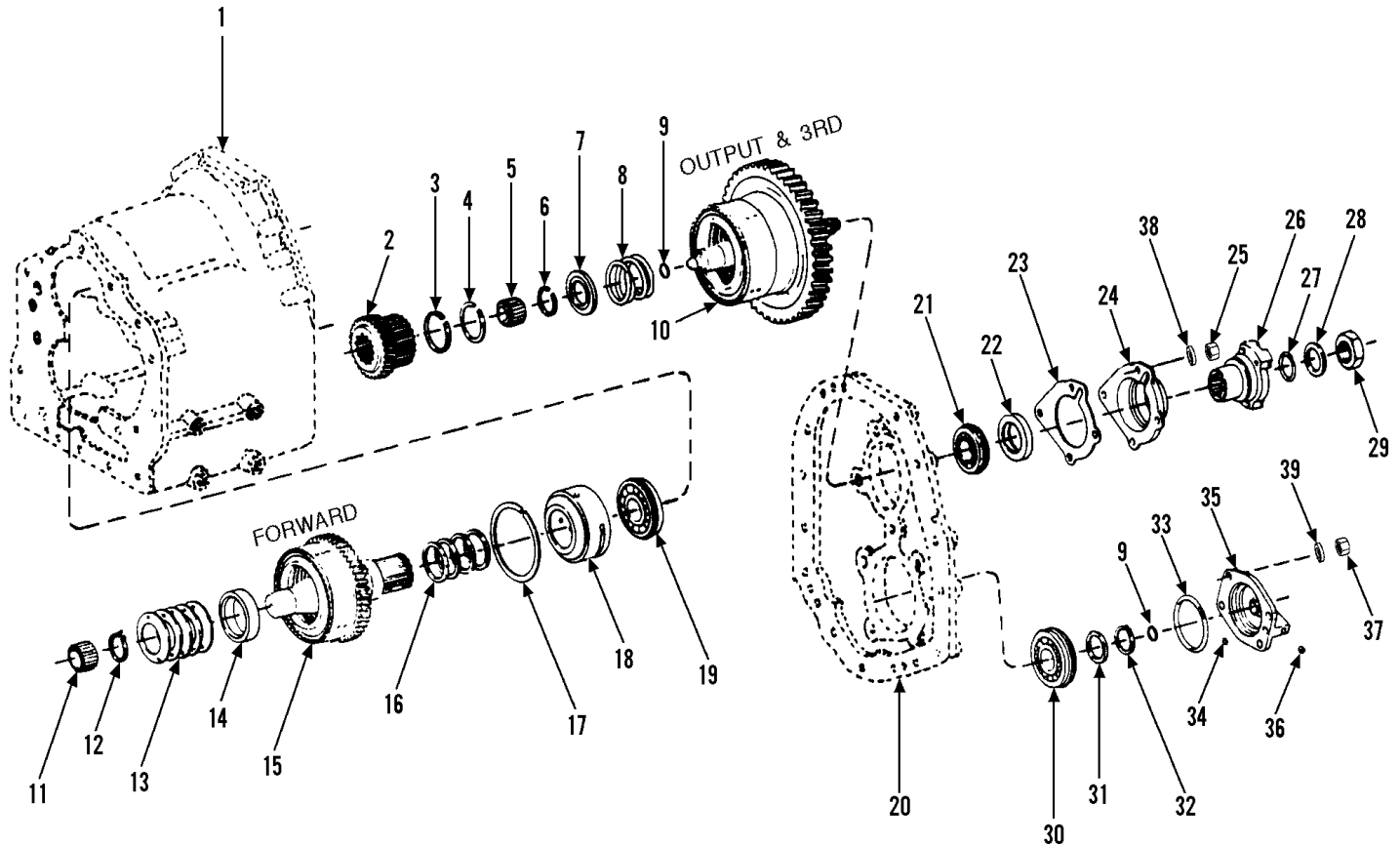
Item	Part No.	Qty.	Description Of Part
29	7710-4085	15	LOCK WASHER
30	8820-1053	9	HEX HD CAPSCREW, 7/16-14 X 1-3/4, GR5
31	7710-4086	6	HEX HD CAPSCREW
32	9020-4806	2	OIL BAFFLE SEAL
33	9020-4807	1	OIL BAFFLE
34	9020-4802	1	GASKET
35	7710-4112	2	PIPE PLUG
36	9020-4804	1	CLUTCH LUBE TUBE
37	7710-4119	1	MAGNETIC DRAIN PLUG
38	7710-4057	1	O-RING
39	9020-4809	1	SUCTION TUBE ASSY
40	7710-4107	1	TUBE SLEEVE
41	7710-4111	1	O-RING
42	8855-1010	2	LOCK WASHER, 5/16
43	8820-1017	2	HEX HD CAPSCREW, 5/16-18 X 5/8, GR5
44	7710-4098	1	GASKET
45	7710-4113	1	DOWEL PIN
46	7710-4116	1	O-RING
47	7710-4109	1	TUBE SLEEVE
48	7710-4048	2	O-RING
49	7710-4110	1	LOW SPEED CLUTCH PRESSURE TUBE
50	7710-4112	1	PIPE PLUG
51	7710-4118	1	PIPE PLUG
52	9020-4817	1	TRANSMISSION CASE ASSY (includes items 25, 32, 33, 36, 38, 39, 40, 42, 43, 47, 49)
53	7710-4113	2	DOWEL PIN



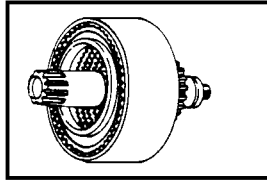
Item	Part No.	Qty.	Description Of Part	Item	Part No.	Qty.	Description Of Part
1		Ref	CONVERTER HOUSING (see page 6-3 for details)	21	9020-6377	1	PISTON RING
2	9103-4247	4	BEARING SUPPORT SCREW AND LOCKWASHER	22	7710-4016	1	PISTON RING EXPANDER SPRING
3	9020-4733	AR	BEARING LOCATING RING	23	9103-4248	1	STATOR SUPPORT
4	9020-4734	AR	PUMP DRIVE BEARING SUPPORT	24	9020-4749	1	SNAP RING
5	9020-4735	1	BEARING RETAINING RING	25	9020-4748	1	PISTON RING
6	9020-4793	1	PUMP DRIVE GEAR BEARING	26	7710-4164	1	BEARING RETAINING RING
7	9020-4737	1	PUMP DRIVE GEAR	27	7710-4197	1	BEARING LOCATING WASHER
8	9020-4730	1	GASKET	28	7710-4022	1	TURBINE SHAFT BEARING
9	7710-4048	1	O-RING	29	9020-4744	1	TURBINE SHAFT ASSY (includes item 30)
10	9020-4731	1	CHARGING PUMP ASSY	30	9103-4255	1	RETAINING RING
	9103-4331	1	CHARGE PUMP SEAL KIT	31	9103-4249	1	REVERSE IDLER SHAFT
11	7710-4085	3	LOCKWASHER	32	9103-4250	1	O-RING
12	9002-8641	1	HEX HD CAPSCREW	33	9103-4251	1	LOCK BALL
13	8820-1062	2	HEX HD CAPSCREW, 7/16-14 X 4, GR5	34	9103-4252	2	THRUST PLATE
14	7710-4204	2	HEX NUT	35	9103-4253	6	HEX HD CAPSCREW
15	9020-4732	1	FILTER	36	7710-4255	1	BEARING ASSY
16	7710-4181	2	BEARING RETAINING RING	37	9020-6382	1	REVERSE IDLER GEAR
17	9020-4740	1	IDLER GEAR	38	9103-4254	1	RETAINING PLATE NUT
18	9020-4741	1	IDLER STUB SHAFT BEARING	39	9020-4787	1	BEARING RETAINING RING
19	9020-4738	1	IDLER GEAR SHAFT	40	9020-4788	1	AUXILIARY PUMP GEAR BEARING
20	9020-5047	1	LOCKBALL	41	9020-4790	1	AUXILIARY PUMP DRIVE GEAR
				42	7710-4007	6	LOCKWASHER



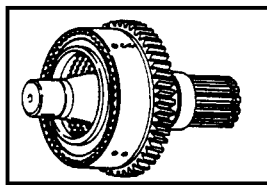
Item	Part No.	Qty.	Description Of Part	Item	Part No.	Qty.	Description Of Part
1	9020-4817	Ref	TRANSMISSIONCASE ASSY (see page 6-3 for details)	17	7710-4224	1	RETAINING RING
2	7710-4207	5	PISTON RETURN SPRING	18	7710-4225	1	SPACER
3	7710-4208	1	RETURN SPRING SPACER	19	7710-4226	1	REVERSE CLUTCH GEAR & HUB ASSY (includes item 10)
4	9020-4944	Ref	REVERSE & 2ND SHAFT DRUM & PLUG ASSY (see page 6-7 for details)	20	7710-4224	1	RETAINING RING
5	7710-4187	1	PISTON RETURN SPRING	21	7710-4227	1	CLUTCH DRIVEN GEAR BEARING
6	7710-4186	2	SPRING RETAINER	22	7710-4206	1	SNAP RING
7	7710-4185	2	SNAP RING	23	7710-4158	1	LOW SPEED SHAFT FRONT BEARING
8	7710-4231	1	REVERSE & 2ND SHAFT REAR BEARING	24	7710-4179	1	SPACER
9	7710-4184	2	RETAINING RING	25	7710-4180	1	LOW SPEED GEAR BEARING
10	9103-4255	3	RETAINING RING	26	7710-4181	2	LOCATING RING
11	9020-4855	1	CLUTCH DISC HUB (includes item 10)	27	7710-4182	1	SPACER
12	7710-4219	3	PISTON RING	28	9103-4256	1	LOW GEAR & HUB ASSY (includes item 10)
13	7710-4220	1	RETAINING RING	29	7710-4180	1	LOW SPEED GEAR BEARING
14	7710-4221	1	SNAP RING	30	9020-4935	Ref	LOW CLUTCH DRUM & BLEED VALVE ASSY (see page 6-7 for details)
15	7710-4222	1	REVERSE & 2ND SHAFT FRONT BEARING	31	7710-4177	4	BEARING CAP STUD
16	7710-4223	1	CLUTCH DRIVEN GEAR BEARING	32	7710-4203	4	BEARING CAP STUD



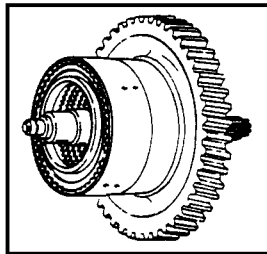
Item	Part No.	Qty.	Description Of Part	Item	Part No.	Qty.	Description Of Part
1		Ref	TRANSMISSION CASE ASSY (see page 6-3 for details)	20		Ref	COVER & PLUG ASSY (see page 6- for details)
2	9103-4257	1	THIRD GEAR & HUB ASSY	21	9020-4829	1	OUTPUT SHAFT BEARING
3	9103-4255	1	RETAINING RING	22	9020-4831	1	OIL SEAL
4	7710-4217	1	RETAINING RING	23	9020-6394	1	GASKET
5	9020-4862	1	PILOT BEARING	24	9020-6395	1	CAP
6	7710-4185	1	SNAP RING	25	7710-4142	4	HEX NUT
7	7710-4186	1	SPRING RETAINER	26	9020-6396	1	OUTPUT FLANGE
8	7710-4187	1	PISTON RETURN SPRING	27	7710-4128	1	O-RING
9	7710-4198	2	PISTON RING	28	7710-4088	1	FLANGE WASHER
10		Ref	CLUTCH PISTON - 2ND & 3RD (see page 6-7 for details)	29	7710-4087	1	FLANGE NUT
11	7710-4205	1	SHAFT PILOT BEARING	30	9020-4842	1	LOW SPEED SHAFT BEARING
12	7710-4206	1	SNAP RING	31	7710-4197	1	BEARING SUPPORT WASHER
13	7710-4207	5	PISTON RETURN SPRING	32	7710-4184	1	BEARING RING
14	7710-4208	1	SPACER	33	7710-4202	1	O-RING
15		Ref	FORWARD SHAFT DRUM & PLUG ASSY (see page 6-7 for details)	34	7710-4199	1	O-RING
16	7710-4211	4	PISTON RING	35	9103-4259	1	REAR BEARING CAP ASSY (includes item 36)
17	7710-4212	1	RETAINER RING	36	7710-4201	1	PIPE PLUG
18	7710-4213	1	PISTON RING SLEEVE	37	7710-4204	4	HEX NUT
19	9103-4258	1	FORWARD SHAFT BEARING	38	7710-4143	4	LOCK WASHER
				39	7710-4085	4	LOCK WASHER



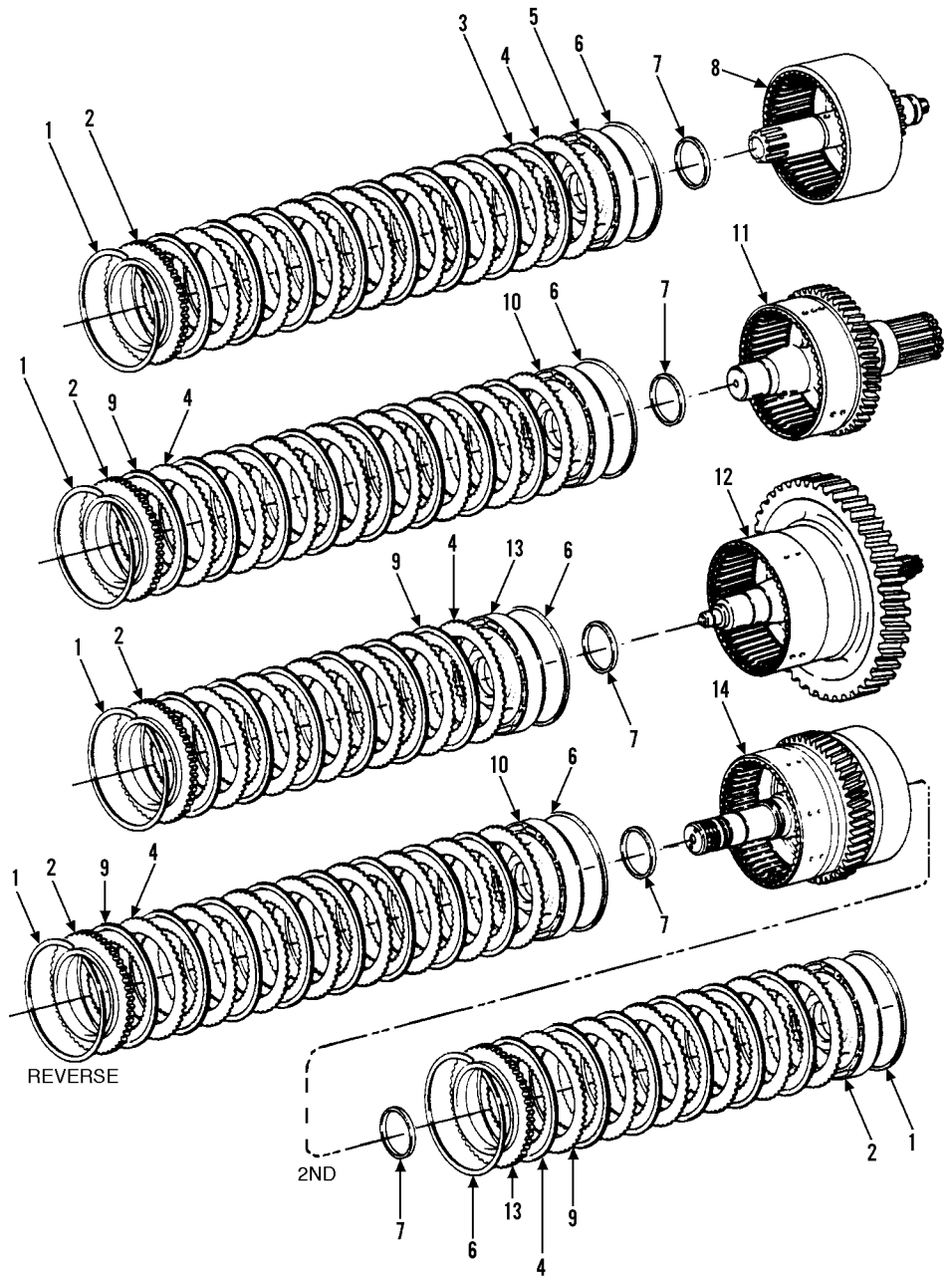
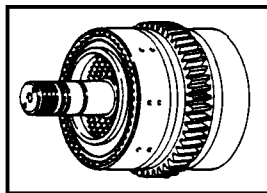
LOW



FORWARD

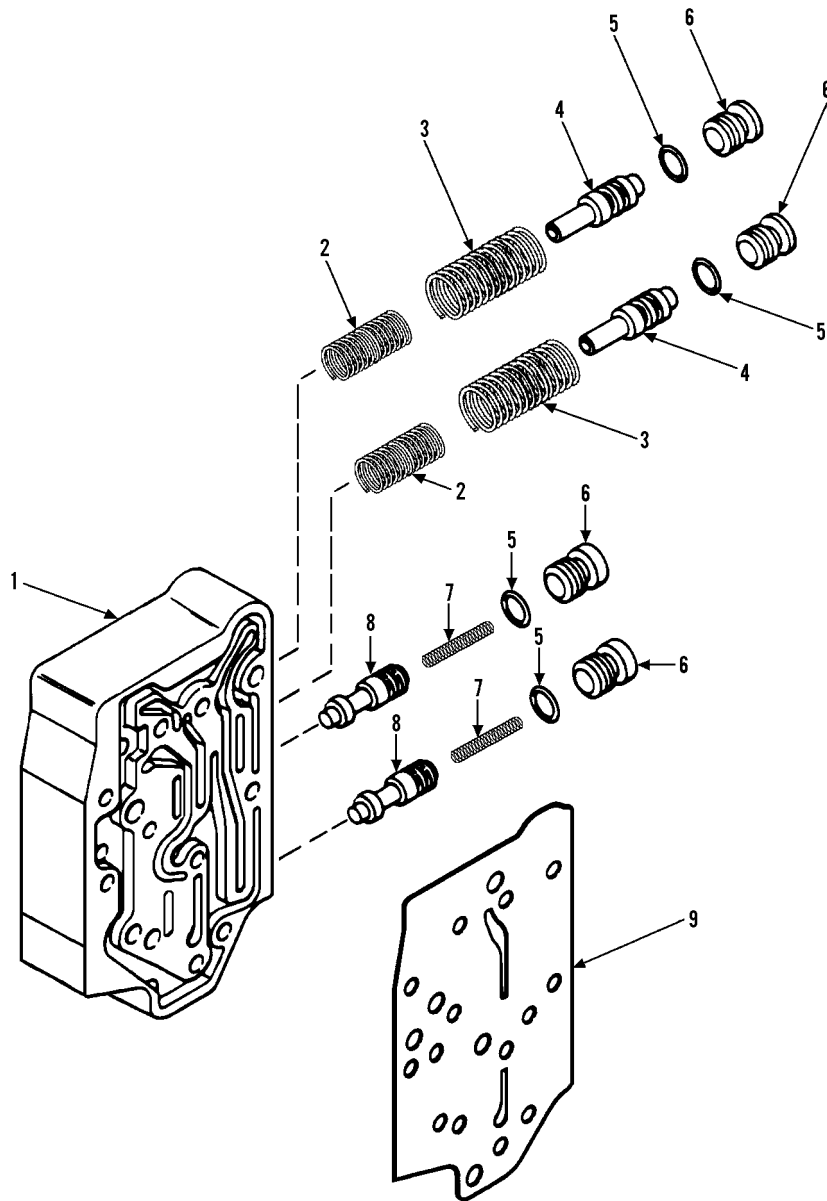


3RD

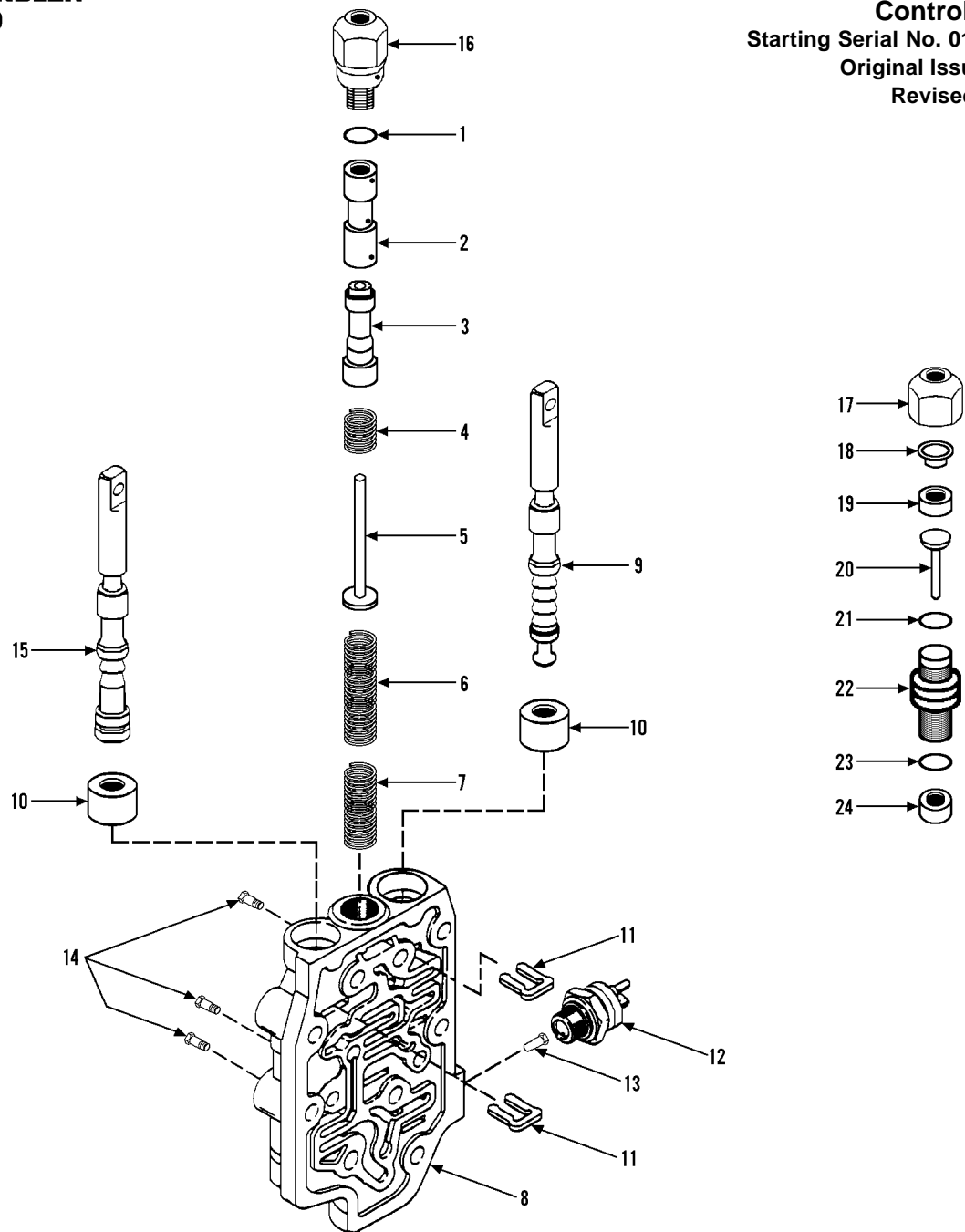


Item	Part No.	Qty.	Description Of Part
1	7710-4188	5	SNAP RING
2	7710-4189	5	CLUTCH DISC BACKING PLATE
3	7710-4190	8	CLUTCH INNER DISC (low)
4	7710-4191	36	CLUTCH OUTER DISC
5	7710-4192	1	CLUTCH PISTON (low)
6	7710-4193	5	OUTER CLUTCH PISTON RING
7	7710-4194	5	INNER CLUTCH PISTON RING
8	9020-4935	1	LOW CLUTCH SHAFT, DRUM & BLEED VALVE ASSY
9	7710-4209	28	CLUTCH INNER DISC (forward, 3rd, reverse & second)

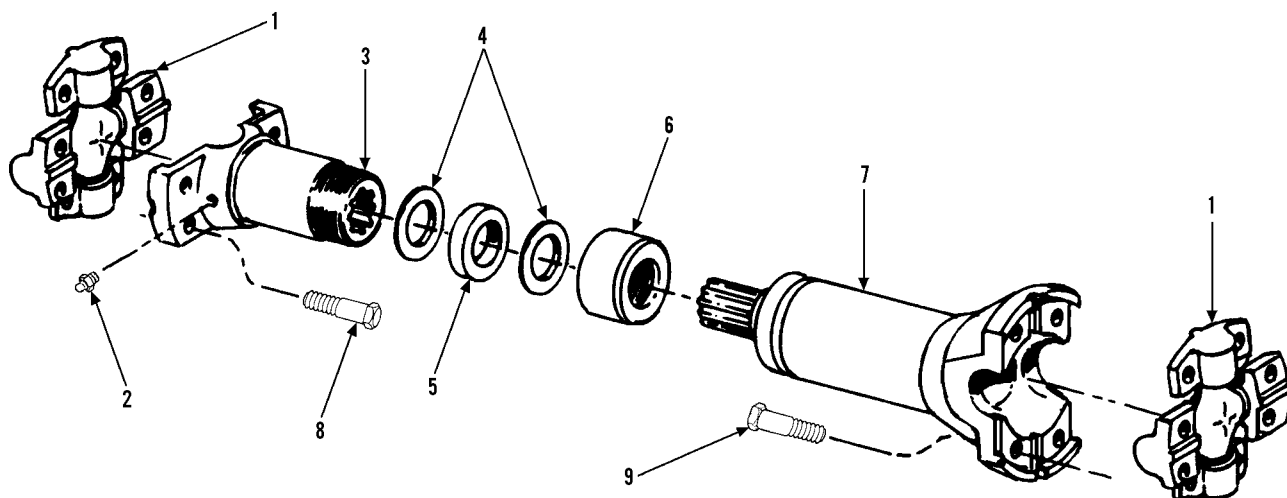
Item	Part No.	Qty.	Description Of Part
10	9020-4938	2	CLUTCH PISTON (forward, reverse & 2nd)
11	9020-4939	1	FORWARD SHAFT, DRUM & PLUG ASSY
12	9020-6403	1	THIRD CLUTCH SHAFT, DRUM & PLUG ASSY
13	7710-4230	2	CLUTCH PISTON (3rd & 2nd)
14	9020-4944	1	REVERSE & 2ND SHAFT, DRUM & PLUG ASSY



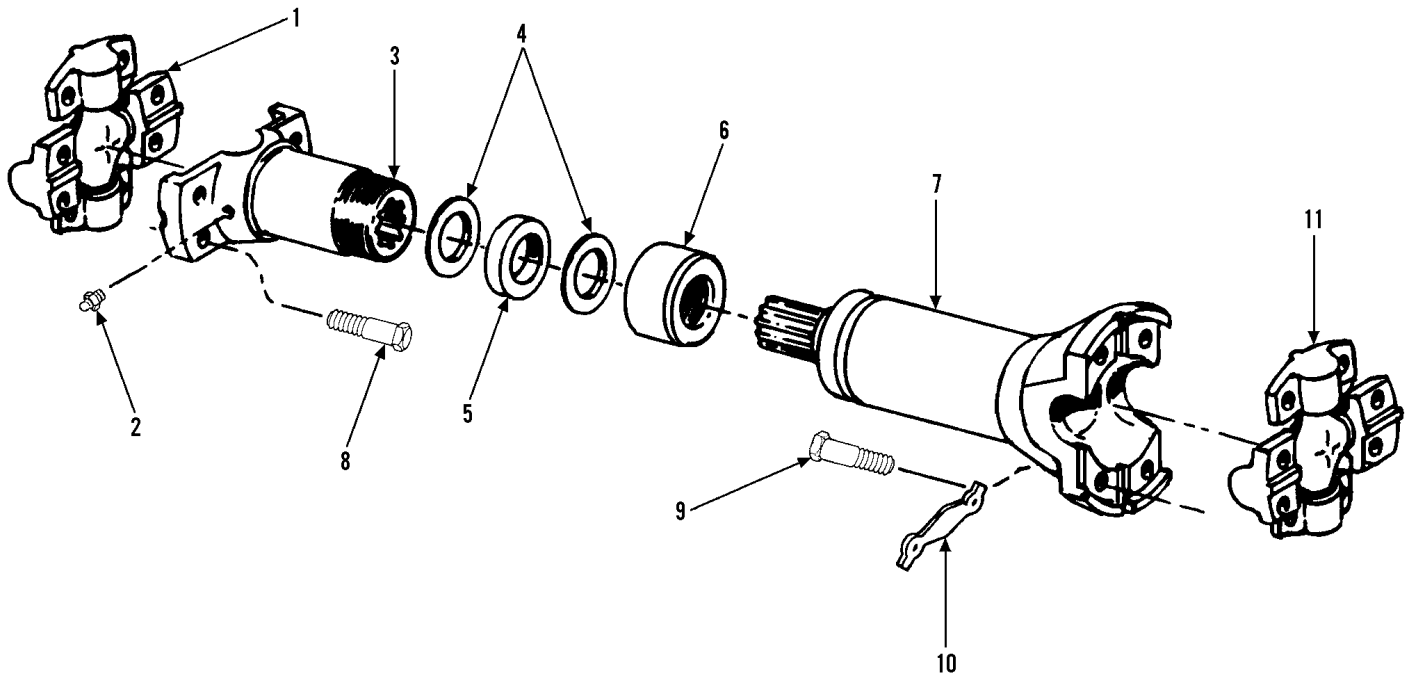
Item	Part No.	Qty.	Description Of Part
	9020-4990	1	MODULATOR VALVE (includes items 1 through 8)
1		1	VALVE HOUSING
2	9103-4263	1	ACCUMULATOR SPRING (inner)
3	9020-4992	1	ACCUMULATOR SPRING (outer)
4		2	ACCUMULATOR VALVE (part of valve assy)
5	9020-5056	4	O-RING
6	9020-5057	4	SPOOL STOP PLUG (includes item 6)
7	9103-4264	2	REGULATOR SPRING
8		2	REGULATOR SPOOL (part of valve assy)
9	9020-4820	1	GASKET (modulator valve to converter housing)



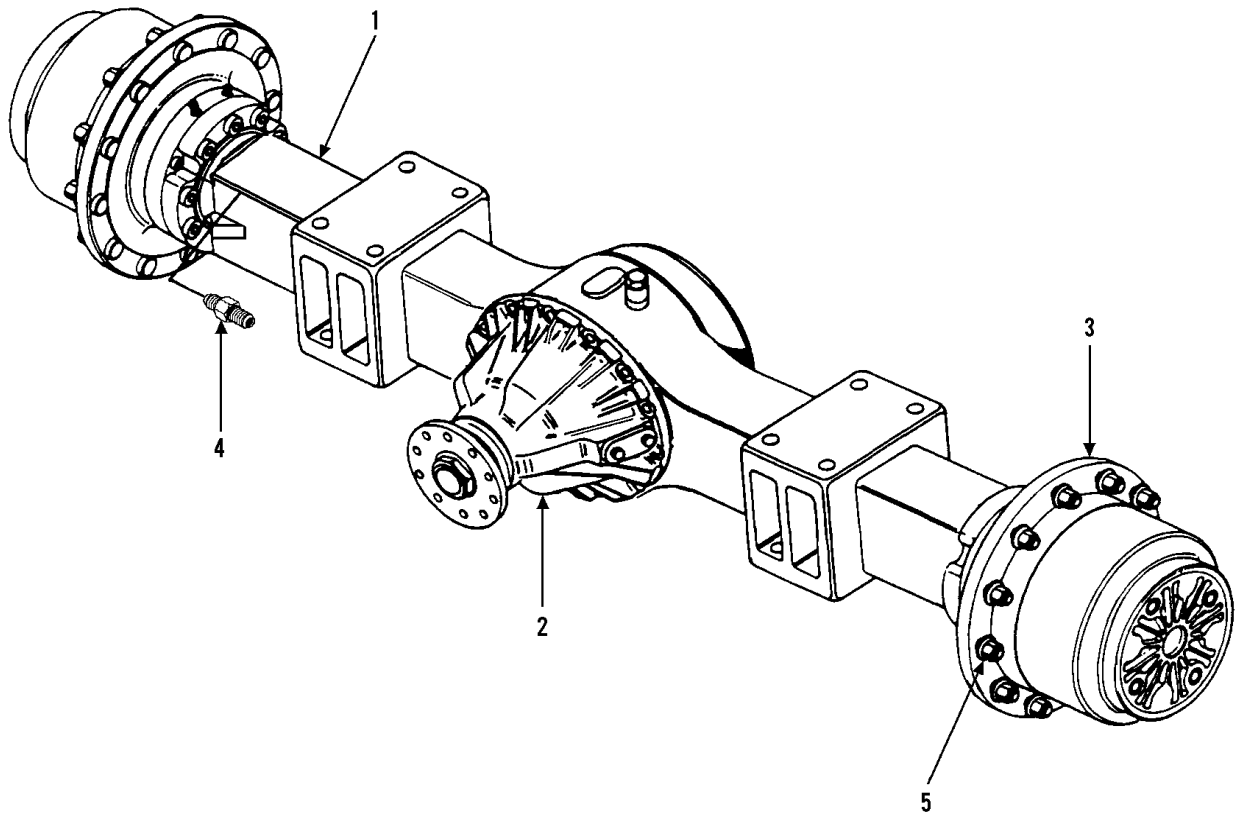
Item	Part No.	Qty.	Description Of Part	Item	Part No.	Qty.	Description Of Part
	9103-4260	1	CONTROL VALVE ASSY (includes all items)	15	7710-4273	1	SPEED SELECTOR SPOOL & PLUG ASSY
1	9020-4957	1	RETAINING RING	16	9103-4262	1	INCHING SLAVE CYLINDER ASSY (includes items 17 through 24)
2	9020-4959	1	INCHING VALVE SLEEVE	17	9020-4980	1	CAP
3	9020-4969	1	VALVE SPOOL	18	9020-4981	1	PISTON CUP STOP
4	9103-4261	1	BALANCING SPRING	19	9020-7872	1	PISTON CUP
5	9020-4964	1	ROD	20	9020-4983	1	PISTON
6	9020-4966	1	INNER SPRING	21	9020-5058	1	O-RING
7	9020-4968	1	OUTER SPRING	22	9020-4984	1	PISTON HOUSING & FILTER DISC ASSY
8		1	VALVE HOUSING	23	9020-3115	1	O-RING
9	7710-4276	1	FORWARD & REVERSE SPOOL	24	9020-4986	1	OIL SEAL
10	7710-4275	2	OIL SEAL				NOTE: ONLY ITEMS WITH PART NUMBERS ARE AVAILABLE FOR SERVICE.
11	7710-4277	2	SPOOL STOP				
12	7710-4278	1	NEUTRAL SWITCH				
13	7710-4279	1	SWITCH ACTUATING PIN				
14	7710-4008	3	PIPE PLUG				



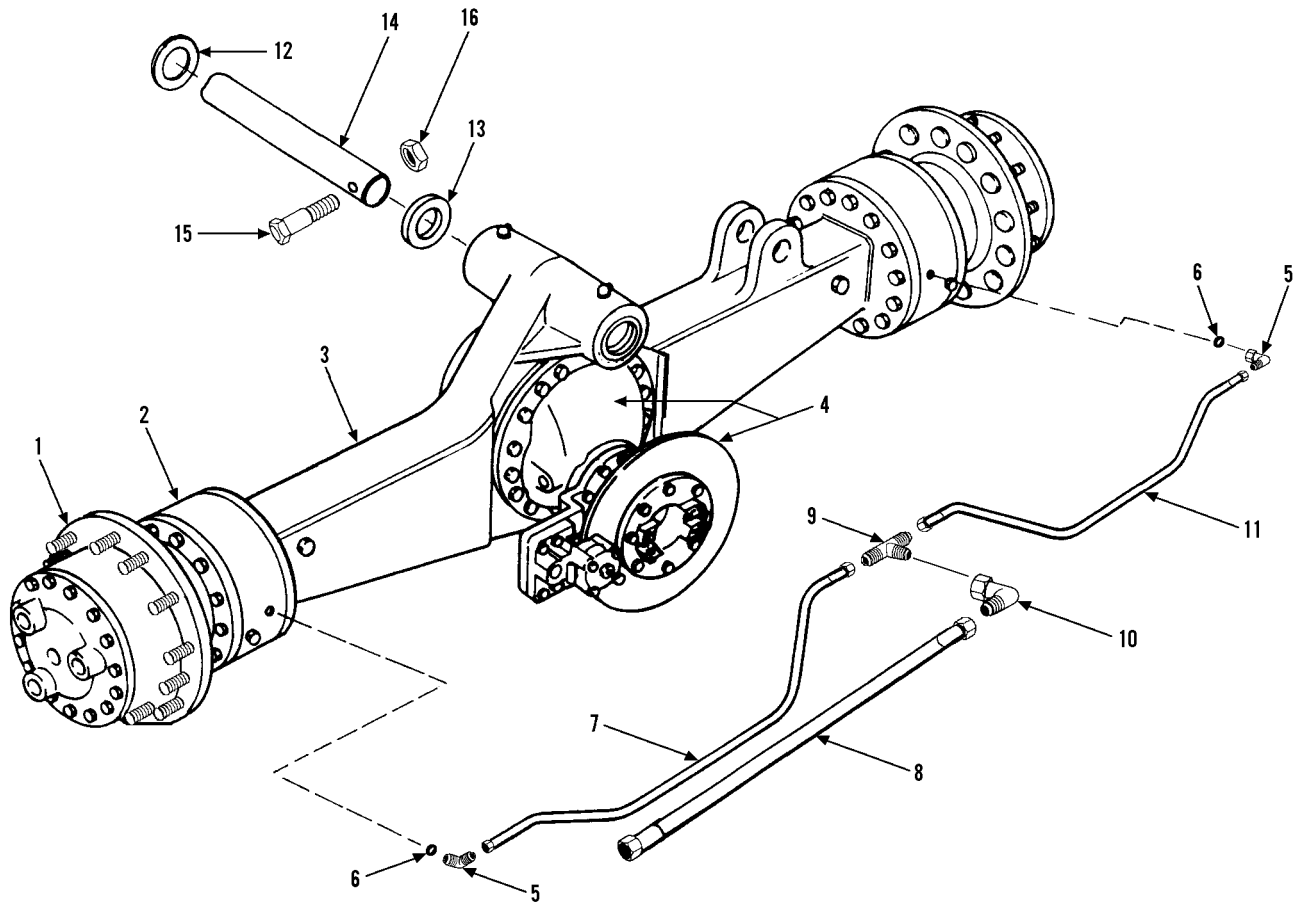
Item	Part No.	Qty.	Description Of Part
	9104-3032	1	DRIVE SHAFT ASSY (includes all items)
1	9020-1058	2	SPIDER & BEARING ASSY
2	8867-1008	1	LUBE FITTING - STRAIGHT - 1/8
3	9104-4008	1	SLIP YOKE ASSY (includes items 4 through 6)
4	9020-6545	2	WASHER
5	9020-6546	1	FELT SEAL
6	9020-6544	1	CAP
7		1	TUBE ASSY
8	9104-4009	8	HEX HD CAPSCREW
9	9104-4010	8	HEX HD CAPSCREW
10	9103-1194	8	LOCKSTRAP
			NOTE: ONLY ITEMS WITH PART NUMBERS ARE AVAILABLE FOR SERVICE.



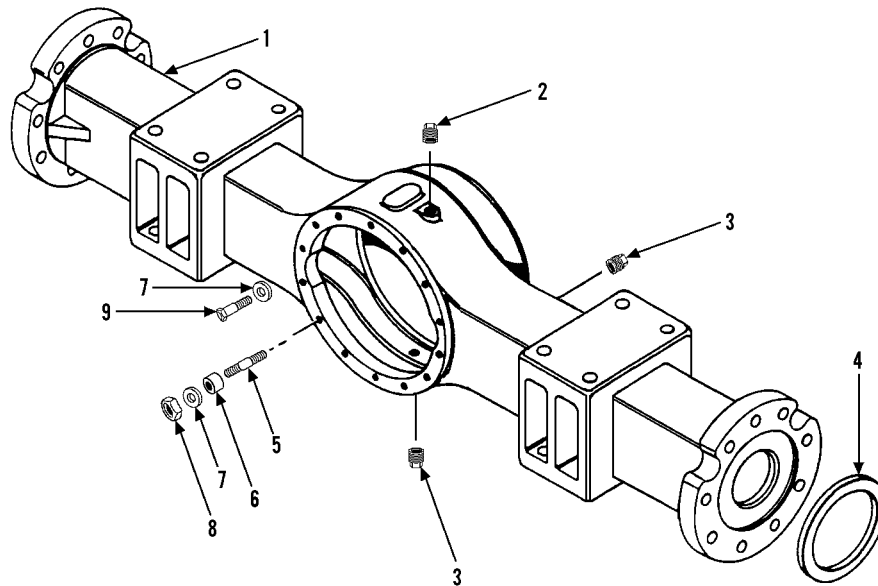
Item	Part No.	Qty.	Description Of Part
	9103-3390	1	DRIVE SHAFT ASSY (includes all items)
1	9020-1058	1	SPIDER & BEARING ASSY
2	9002-2218	1	LUBE FITTING
3	9104-4008	1	SLIP YOKE ASSY (includes items 4 through 6)
4	9020-6545	2	WASHER
5	9020-6546	1	FELT SEAL
6	9020-6544	1	CAP
7	No Number	1	TUBE ASSY
8	9104-4009	8	HEX HD CAPSCREW
9	9104-4010	8	HEX HD CAPSCREW
10	9103-1194	8	LOCKSTRAP
11	9103-4311	1	SPIDER & BEARING ASSY



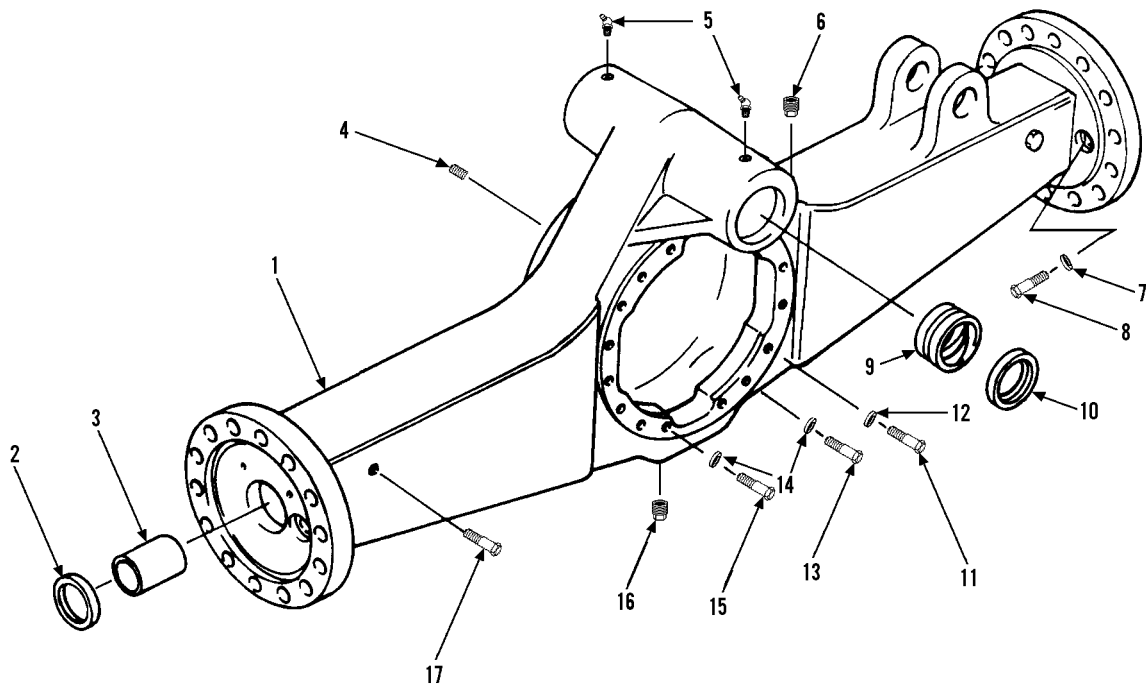
Item	Part No.	Qty.	Description Of Part
	9104-3291	1	FRONT AXLE ASSY (includes items 1 through 4)
1	9104-4444	1	AXLE HOUSING ASSY (see page 6-12 for details)
2	9104-4448	1	DIFFERENTIAL CARRIER ASSY (see page 6-13 for details)
3		1	AXLE SHAFT & PLANETARY WHEEL END ASSY (see page 6-14 for details)
4	8319-3009	4	FITTING
5	9104-3146	24	LUG NUT (lubricate and torque to 350-400 ft. lbs.)
			NOTE: ITEM #3 IS NOT AVAILABLE AS A SERVICE ASSEMBLY.



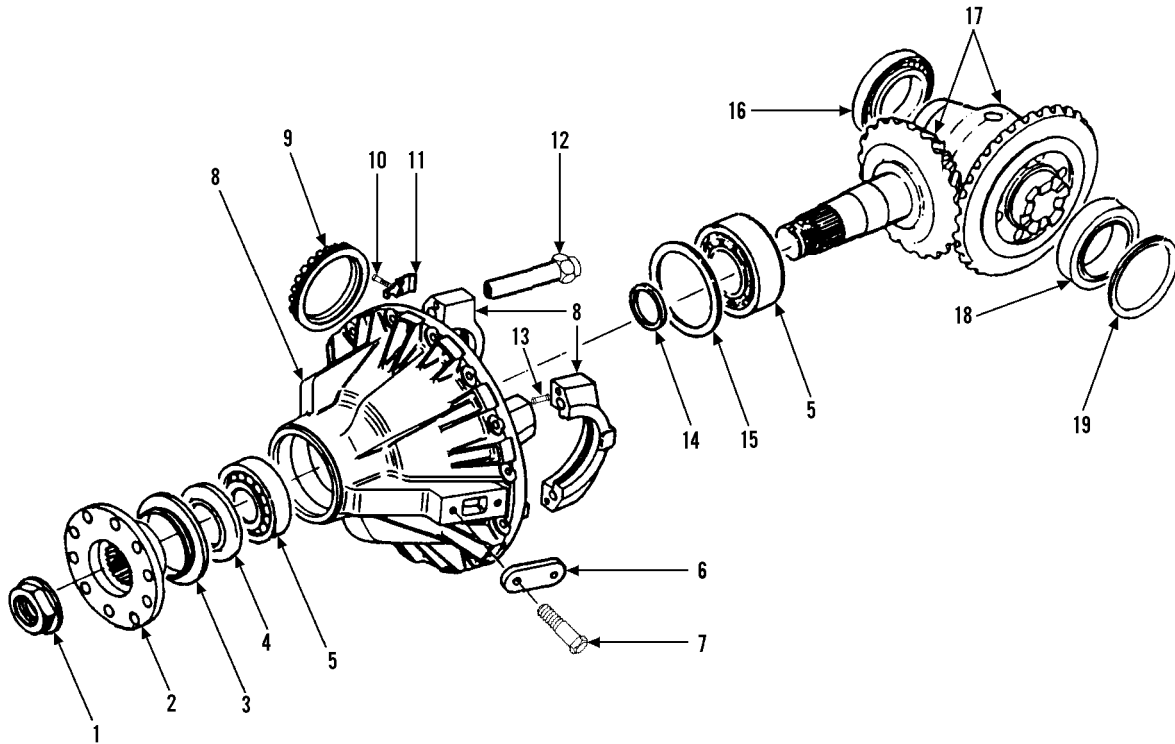
Item	Part No.	Qty.	Description Of Part
	9103-5208	1	FRONT AXLE ASSY (includes items 1 through 11)
	9103-3359	1	FRONT AXLE ASSY (includes items 1 through 4)
1		Ref	WHEEL END ASSY (see page 6-14 for details)
2		Ref	WET DISC BRAKE ASSY (see page 6-18 for details)
3		Ref	HOUSING ASSY (see page 6-12 for details)
4		Ref	DIFFERENTIAL CARRIER ASSY & PARKING BRAKE (see page 6-13 for details)
5	8866-2064	2	ELBOW, 90 DEGREES (includes item 6)
6	8859-1204	2	O-RING
7	9103-3374	1	BRAKE LINE, L.H.
8	8471-7524	1	HOSE ASSY
9	8866-1305	1	UNION TEE, 3/8 TUBE
10	8866-2105	1	ELBOW, 90 DEGREES (swivel nut)
11	9103-3373	1	BRAKE LINE, R.H.
12	9103-1014	1	SHIMWASHER
13	9020-5891	1	SPACER
14	9108-1176	1	FRONT SWAY PIN
15	8320-1031	1	HEX HD CAPSCREW, 1-8 X 5, GR8
16	8852-1016	1	HEX LOCKNUT, 1-8



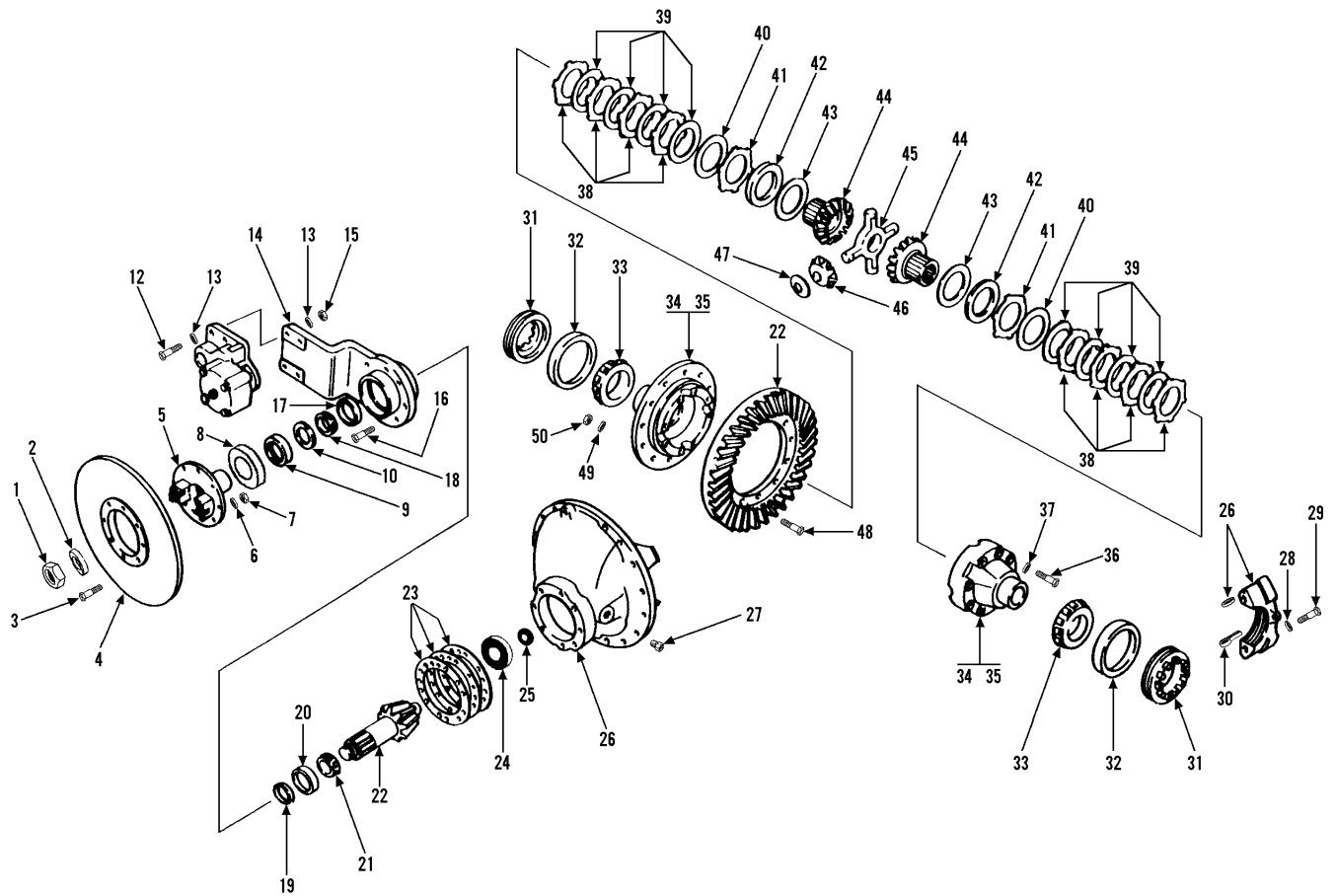
Item	Part No.	Qty.	Description Of Part
	9104-4447	1	DIFFERENTIAL CARRIER FASTENING SET (includes items 5 through 9)
1	9104-4444	1	AXLE HOUSING
2	9104-4445	1	BREATHER
3	9104-4446	2	FILLER & DRAIN PLUG
4	9104-4138	2	THRUST WASHER
5	9104-4139	3	STUD
6	9104-4140	3	CENTERING CONE
7	9104-4141	14	FLAT WASHER
8	9104-4142	3	HEX NUT
9	9104-4143	11	HEX HD CAPSCREW



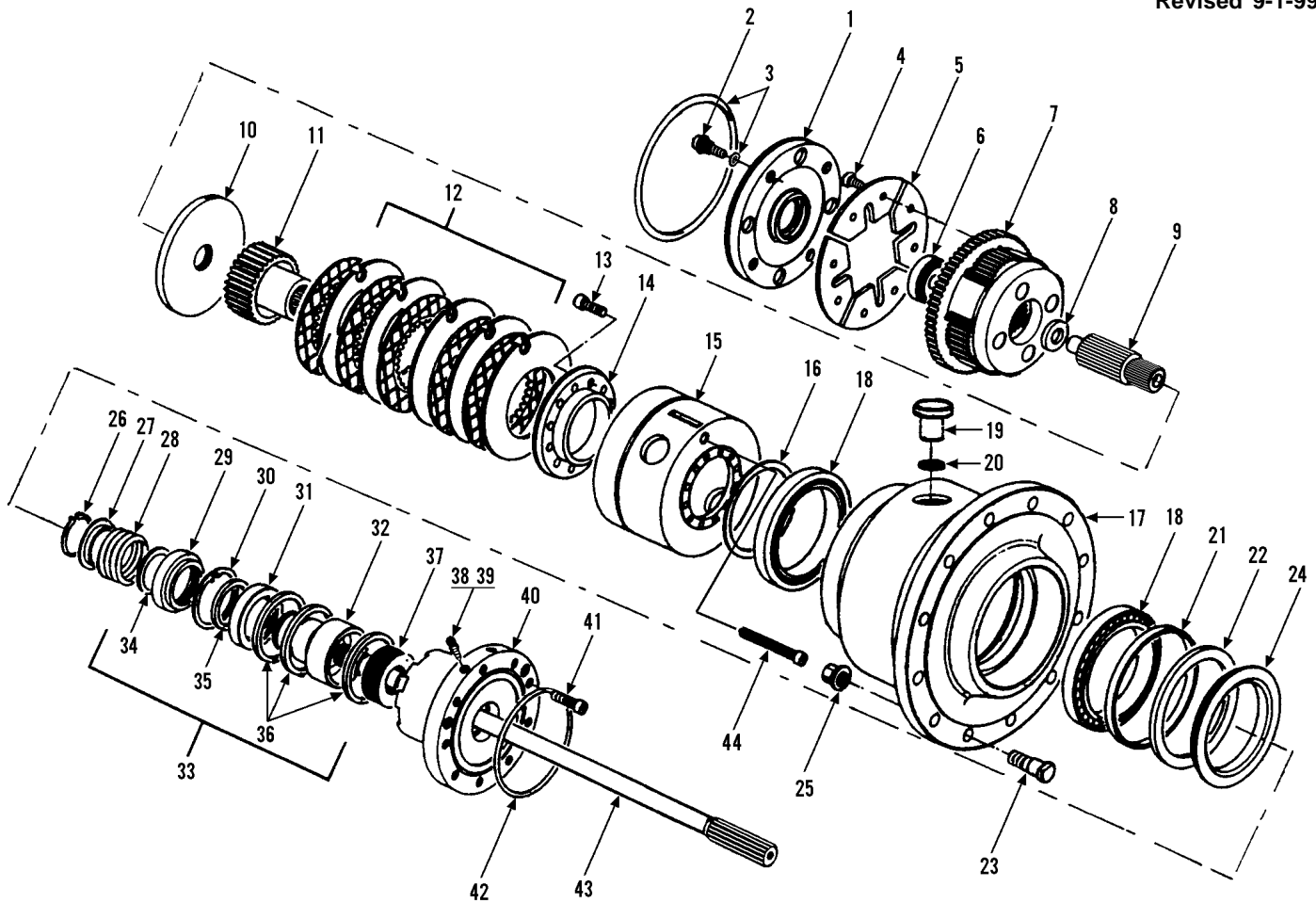
Item	Part No.	Qty.	Description Of Part
1	9104-4422	1	AXLE HOUSING ASSY (includes items 2, 3, 4, 5, 7, 8, 9, 10, 16, 17)
2	9104-4423	4	AXLE SHAFT OIL SEAL
3	9104-4424	2	AXLE SHAFT BUSHING
4	8307-3699	1	OIL FILLER PLUG
5	9108-4045	2	LUBE FITTING
6	7710-4289	1	HOUSING BREATHER
7	9104-4425	2	WASHER
8	9104-4426	2	HEX HD CAPSCREW
9	9108-4046	2	INNER RACE BEARING
10	9108-4047	2	TRUNNION OIL SEAL
11	9108-4048	12	HEX HD CAPSCREW, SHORT
12	9108-4049	12	WASHER
13	9108-4050	2	HEX HD CAPSCREW, SHORT
14	9108-4051	4	WASHER
15	9108-4052	2	HEX HD CAPSCREW, LONG
16	7710-4343	1	DRAIN PLUG
17	9104-4419	4	COOLING PLUG



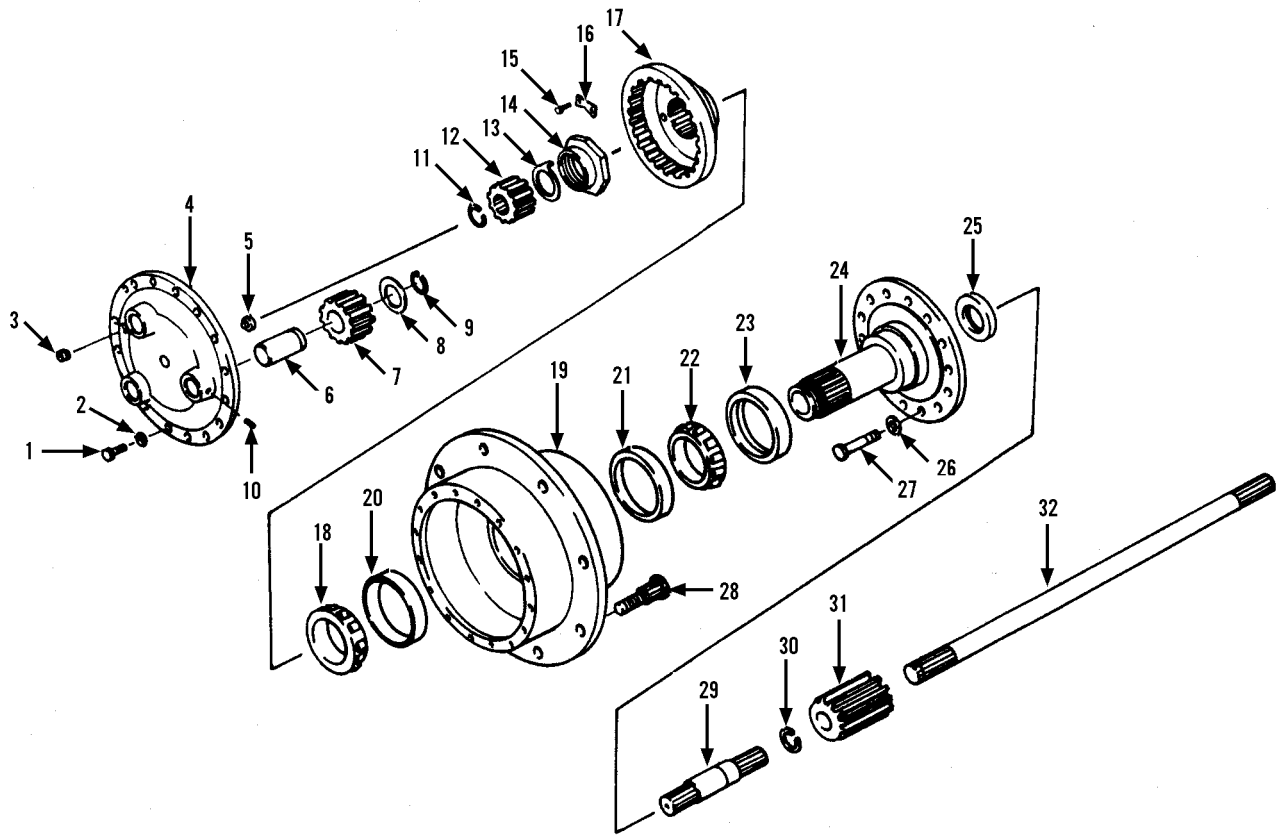
Item	Part No.	Qty.	Description Of Part
	9104-4448	1	DIFFERENTIAL CARRIER ASSY (includes all items)
1	9104-4145	1	PINION NUT
2	9104-4452	1	FLANGE ASSY (includes item 3)
3	9104-4147	1	DUST SHIELD
4	9104-4451	1	OIL SEAL
5	9104-4450	1	TAPER BEARING KIT
6	9104-4150	1	COVER PLATE
7	9104-4151	2	HEX HD CAPSCREW
8	9104-4152	1	DIFFERENTIAL HOUSING ASSY (includes items 9 through 13)
9	9104-4153	1	ADJUSTING NUT
10	9104-4154	1	ADJUSTING NUT LOCK BOLT
11	9104-4155	1	ADJUSTING NUT LOCK
12	9104-4156	4	DIFFERENTIAL CAP BOLT
13	9104-4157	4	LOCATING PIN
14	9104-4158	1	SHIM KIT
15	9104-4159	1	SHIM KIT
16	9104-4161	1	BEARING ASSY
17	9104-4449	1	DIFFERENTIAL & BEVEL GEAR SET
18	9104-4163	1	BEARING ASSY
19	9104-4164	1	ADJUSTING SHIM KIT



Item	Part No.	Qty.	Description Of Part	Item	Part No.	Qty.	Description Of Part
	9103-4328	Ref	DIFFERENTIAL CARRIER ASSY (includes all items)	23	9104-4379	AR	SHIM (.003 thick)
1	9108-4053	1	BEVEL PINION NUT		9108-4076	AR	SHIM (.005 thick)
2	9108-4054	1	WASHER		9108-4077	AR	SHIM (.010 thick)
3	7710-4303	8	HEX HD CAPSCREW	24	9108-4078	1	PINION REAR BEARING
4	9104-4372	1	BRAKE DISC	25	9108-4079	1	PINION BEARING LOCK RING
5	9104-4373	1	FLANGE ASSY (includes item #8)	26	9104-4380	1	DIFFERENTIAL CARRIER ASSY (includes items 28 and 29)
6	9108-4051	8	WASHER	27	8307-3699	1	OIL LEVEL & FILLER PLUG
7	7710-4439	8	HEX NUT	28	8308-1182	4	WASHER
8	9104-4374	1	DEFLECTOR	29	9104-4381	4	HEX HD CAPSCREW
9	9108-4056	1	OIL SEAL	*30	8348-3441	2	ADJUSTING RING COTTER PIN
10	9104-4375	1	THRUST WASHER	31	9108-4099	2	BEARING ADJUSTING RING
11		Ref	PARKING BRAKE ASSY (see page 6-18 for details)	32	9108-4098	2	BEARING CUP
12	8688-1704	4	HEX HD CAPSCREW	33	9108-4097	2	BEARING CONE
13	9108-4113	4	WASHER	34	9108-4094	1	DIFFERENTIAL CASE ASSY (includes items 1, 22, 24, 25, 36 through 50)
14	9104-4376	1	PINION BEARING CAGE ASSY (includes items 17 and 20)	35	9108-4095	1	DIFFERENTIAL CASE ASSY (includes items 36 through 47)
15	8338-4172	4	HEX NUT	36	9104-4382	12	HEX HD CAPSCREW
16	7710-4303	8	HEX HD CAPSCREW	37	9108-4113	12	WASHER
17	9020-0440	1	OUTER BEARING CUP	38	9108-4103	8	CLUTCH DRIVEN DISC
18	9108-4059	1	OUTER BEARING CONE	39	9108-4092	8	CLUTCH DRIVE DISC
19	9104-4377	AR	SHIM (.125 thick)	40	9108-4088	AR	SHIM (.005 thick)
	9108-4065	AR	SHIM (.126 thick)		9108-4089	AR	SHIM (.010 thick)
	9108-4066	AR	SHIM (.127 thick)		9108-4090	AR	SHIM (.013 thick)
	9108-4067	AR	SHIM (.128 thick)		9108-4091	AR	SHIM (.015 thick)
	9108-4068	AR	SHIM (.129 thick)	41	9108-4087	2	CLUTCH DRIVE DISC
	9108-4069	AR	SHIM (.130 thick)	42	9108-4086	2	CLUTCH SPACER
	9108-4070	AR	SHIM (.136 thick)	43	9108-4085	2	SIDE GEAR THRUST WASHER
	9108-4071	AR	SHIM (.142 thick)	44	9108-4084	2	DIFFERENTIAL SIDE GEAR
	9108-4072	AR	SHIM (.148 thick)	45	9108-4083	1	DIFFERENTIAL SPIDER
	9108-4073	AR	SHIM (.154 thick)	46	9108-4082	4	DIFFERENTIAL PINION
	9108-4074	AR	SHIM (.158 thick)	47	9108-4081	4	THRUST WASHER
20	9020-0440	1	INNER BEARING CUP	48	9108-4101	12	HEX HD CAPSCREW
21	9108-4059	1	INNER BEARING CONE	49	9108-4113	12	WASHER
22	9104-4378	1	RING GEAR & PINION SET	50	9108-4102	12	HEX NUT

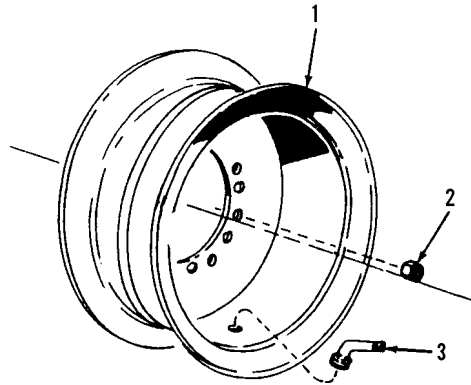


Item	Part No.	Qty.	Description Of Part	Item	Part No.	Qty.	Description Of Part
	9103-4309	1	BRAKE WHEEL END ASSY (includes all items)	24	9104-4458	1	SEAL RACE
1	9104-4166	1	COVER ASSY (includes items 2 thru 6)	25	9104-3146	12	SWIVEL NUT
2	9104-4167	4	HEX HD CAPSCREW	26	9104-4191	1	SNAP RING
3	9104-4168	1	O-RING KIT	27	9104-4192	1	THRUST WASHER
4	9104-4169	4	HEX HD CAPSCREW	28	9104-4193	1	SPRING
5	9104-4170	4	SECTOR PLATE	29	9104-4194	1	SERVICE BRAKE PISTON
6	9104-4171	1	BEARING ASSY	30	9104-4195	1	SNAP RING
7	9104-4460	1	PLANETARY CARRIER ASSY	31	9104-4196	1	PARK BRAKE SEAL RING
8	9104-4173	4	SPACER	32	9104-4197	1	PARK BRAKE PISTON
9	9104-4174	1	MID-SHAFT	33	9104-4335	1	SEALING KIT (includes items 34,35 & 36)
10	9104-4175	1	ROTATING BRAKE DISC STOP	34		1	OIL SEAL
11	9104-4176	1	DISC HUB	35		1	OIL SEAL
12	9104-4177	1	BRAKE DISC ASSY	36		3	OIL SEAL
13	9104-4178	10	SOCKET HEAD CAPSCREW	37	9104-4453	1	SPRING WASHER KIT
14	9104-4179	1	FIXED BRAKE DISC STOP	38	9104-4200	2	BLEEDER SCREW
15	9104-4180	1	RING GEAR & CARRIER ASSY	39	9104-4298	2	BLEEDER SCREW CAP
16	9104-4181	1	ADJUSTING SHIM KIT	40	9104-4201	1	SPINDLE ASSY
17	9104-4459	1	WHEEL HUB ASSY (includes items 18 thru 23)	41	9104-4461	9	SOCKET HD CAPSCREW
18	9104-4183	2	BEARING ASSY	42	9104-4203	1	O-RING
19	9104-4184	1	PLUG	43	9104-4204	1	AXLE SHAFT
20	9104-4185	1	SEALING WASHER				NOTE: QUANTITIES SHOWN ARE FOR ONE BRAKE WHEEL END ASSEMBLY ONLY.
21	9104-4186	1	SPACER				
22	9104-4187	1	HUB SEAL				
23	9104-4189	12	WHEEL STUD				

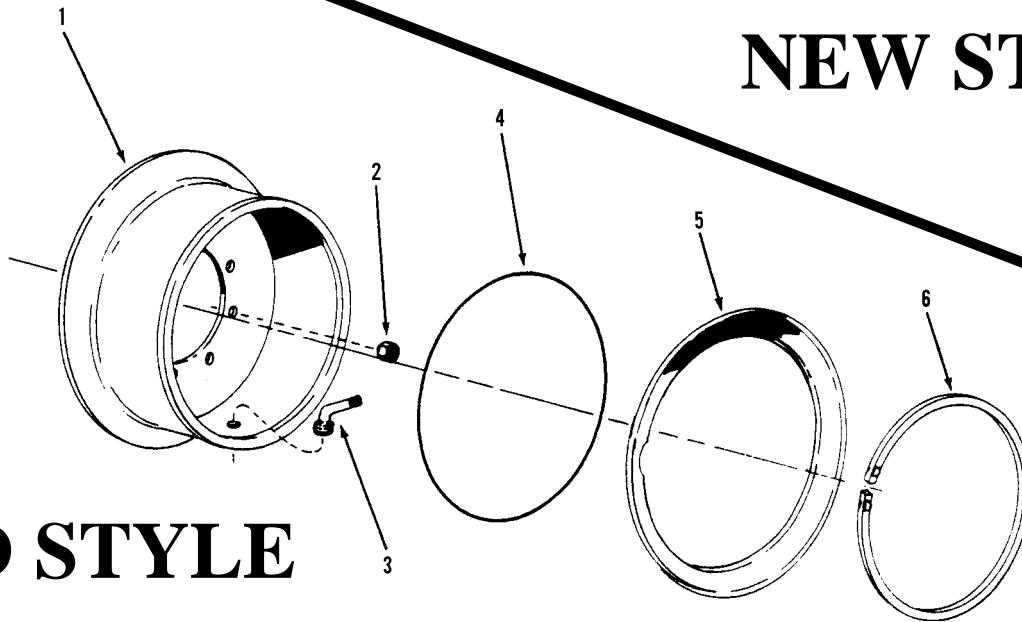


Item	Part No.	Qty.	Description Of Part
1	9108-4112	48	HEX HD CAPSCREW
2	9108-4113	48	WASHER
3	7710-4343	2	OIL LEVEL PLUG
4	9104-4383	2	PLANET GEAR SPIDER ASSY (includes item 5 thru 9)
5	9108-4106	2	THRUST BUTTON
6	9104-4385	6	PLANET PINION SHAFT
7	9104-4384	6	PLANET PINION
8	9104-4386	6	THRUST WASHER
9	9108-4107	6	SNAP RING
10	9108-4114	6	PINION SHAFT SET SCREW
11	9108-4107	2	AXLE SHAFT SNAP RING
12	9104-4387	2	PLANETARY SUN GEAR
13	9108-4109	2	SUN GEAR THRUST
14	9104-4388	2	HUB BEARING NUT
15	9104-4389	4	HEX HD CAPSCREW
16	9104-4390	2	WHEEL BEARING NUT LOCK
17	9104-4391	2	PLANET RING GEAR

Item	Part No.	Qty.	Description Of Part
18	9104-4392	2	HUB BEARING, OUTER CONE
19	9104-4393	2	WHEEL HUB ASSY (includes items 20, 21)
20	9104-4394	1	HUB BEARING, OUTER CUP
21	7710-4444	1	HUB BEARING, INNER CUP
22	7710-4445	2	HUB BEARING, INNER CONE
23	9104-4395	2	OIL SEAL
24	9104-4396	2	SPINDLE ASSY (includes items 25)
25	9104-4397	1	OIL SEAL
26	8308-1182	28	WASHER
27	9104-4398	28	HEX HD CAPSCREW
28	9108-4126	24	WHEEL STUD
29	9104-4399	2	OUTER AXLE SHAFT
30	9104-4400	2	COUPLING SNAP RING
31	9104-4401	2	AXLE SHAFT COUPLING ASSY (includes item 30)
32	9104-4402	2	INNER AXLE SHAFT



NEW STYLE



OLD STYLE

FRONT-STANDARD

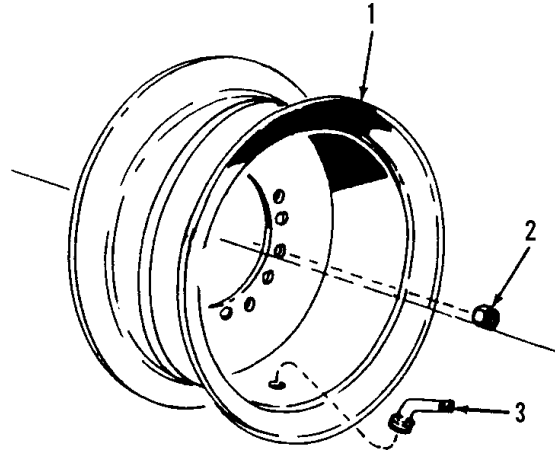
REAR-STANDARD

Item	Part No.	Qty.	Description Of Part
1	9104-3276	1	RIM, 8.00 TG X 24 ** NOTE: (NO LONGER AVAILABLE, REPLACED BY 9104-3430)
1	9104-3430	1	RIM, 9.00 X 24 (New One Piece Style)
2	9104-3146	12	LUG NUT (lubricate and torque to 350-400 ft. lbs.)
3	9020-0339	1	VALVE (air / liquid) ** NOTE: (USE WITH 9104-3276 ONLY)
3	9108-3385	1	VALVE (air/liquid) (Use with 9104-3430)
4	9020-0561	1	O-RING
5	9020-0772	1	GUTTER RING
6	9020-1615	1	LOCK RING
7	9103-3104	1	TIRE, 13.00 X 24-12 PLY (not illustrated)

Item	Part No.	Qty.	Description Of Part
1	9060-2638	1	RIM, 8.00 TG X 24 ** NOTE: (NO LONGER AVAILABLE REPLACED BY 9103-3467)
1	9103-3467	1	RIM, 9.00 X 24 (New One Piece Style)
2	9020-2141	10	LUG NUTS
3	9020-0339	1	VALVE (air/liquid) ** NOTE: (USE WITH 9060-2638 ONLY)
3	9108-3385	1	VALVE (air/liquid) (Use with 9103-3467)
4	9020-0561	1	O-RING
5	9020-0772	1	GUTTER RING
6	9020-1615	1	LOCK RING
7	9060-2040	1	TIRE, 13.00 X 24, 8 PLY (not illustrated)
	9103-3104	1	TIRE, 13.00 X 24, 12 PLY (not illustrated)

FRONT-FLOATATION

Item	Part No.	Qty.	Description Of Part
1	9104-3081	1	RIM, 14.00 X 25
2	9104-3146	10	LUG NUT (lubricate and torque to 350-400 ft. lbs.)
3	9020-1452	1	VALVE (air / liquid)
4	9020-1441	1	O-RING
5	9020-1762	1	GUTTER RING
6	9020-1766	1	LOCK RING
7	9020-1439	1	TIRE, 17.5 X 25, 14 PLY (L-2 TRACTION REGULAR TREAD)



FRONT-STANDARD

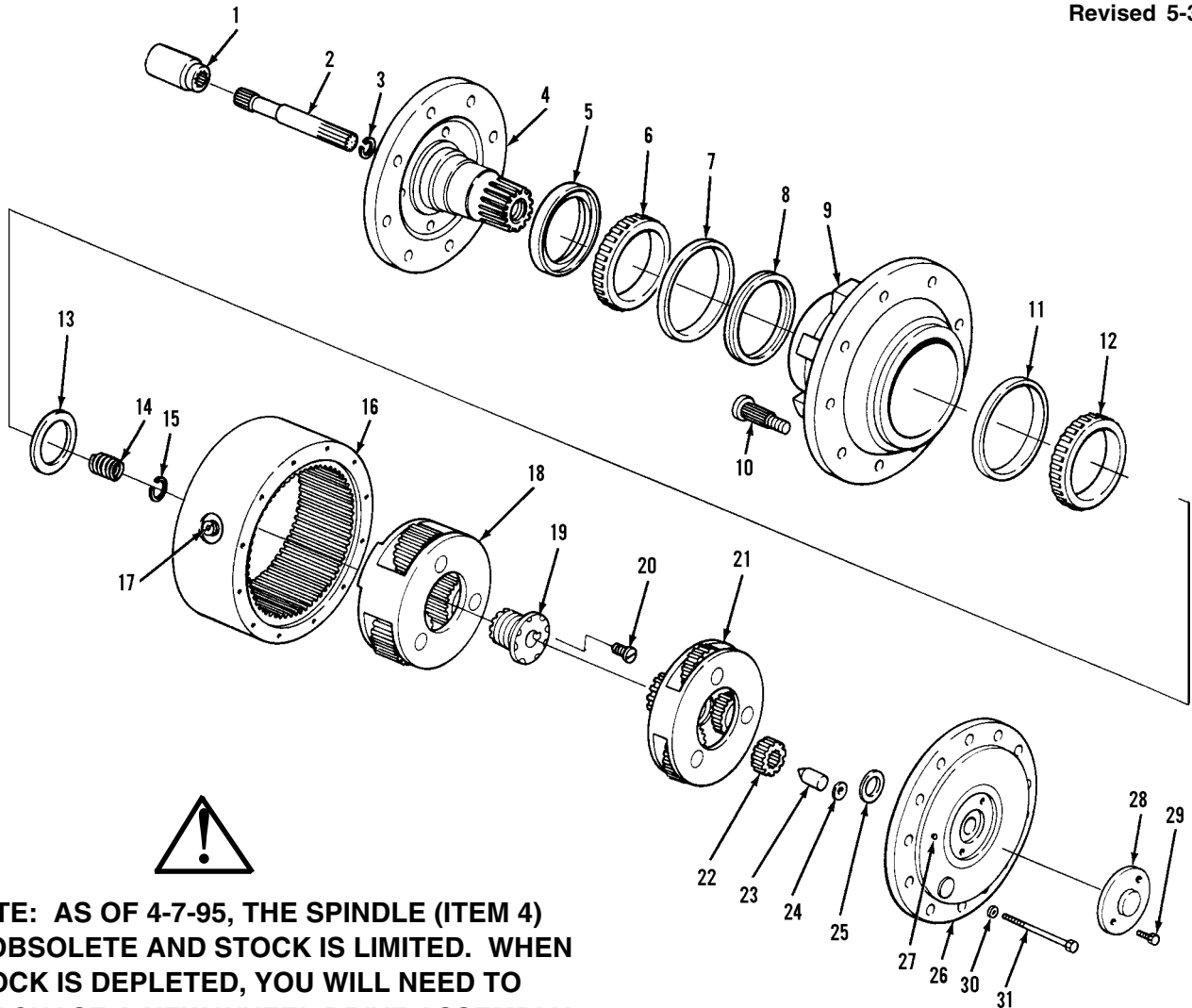
REAR-STANDARD

Item	Part No.	Qty.	Description Of Part
1	9104-3298	1	RIM, 9.00 X 24
2	9104-3146	12	LUG NUT (lubricate and torque to 350-400 ft. lbs.)
3	9108-3385	1	VALVE
4	9103-3104	1	TIRE, 13.00 X 24, 12 PLY (G-2 traction regular tread) (not illustrated)

Item	Part No.	Qty.	Description Of Part
1	9104-3298	1	RIM, 9.00 X 24
2	9104-3146	12	LUG NUT (lubricate and torque to 350-400 ft. lbs.)
3	9108-3385	1	VALVE
4	9103-3104	1	TIRE, 13.00 X 24, 12 PLY (G-2 traction regular tread) (not illustrated)

FRONT-FLOATATION

Item	Part No.	Qty.	Description Of Part
1	9104-3292	1	RIM, 14.00 X 25
2	9104-3146	12	LUG NUT (lubricate and torque to 350-400 ft. lbs.)
3	9020-1452	1	VALVE
4	9103-3361	1	TIRE, 17.5 X 25, (L-2 Michelin radial) (not illustrated)



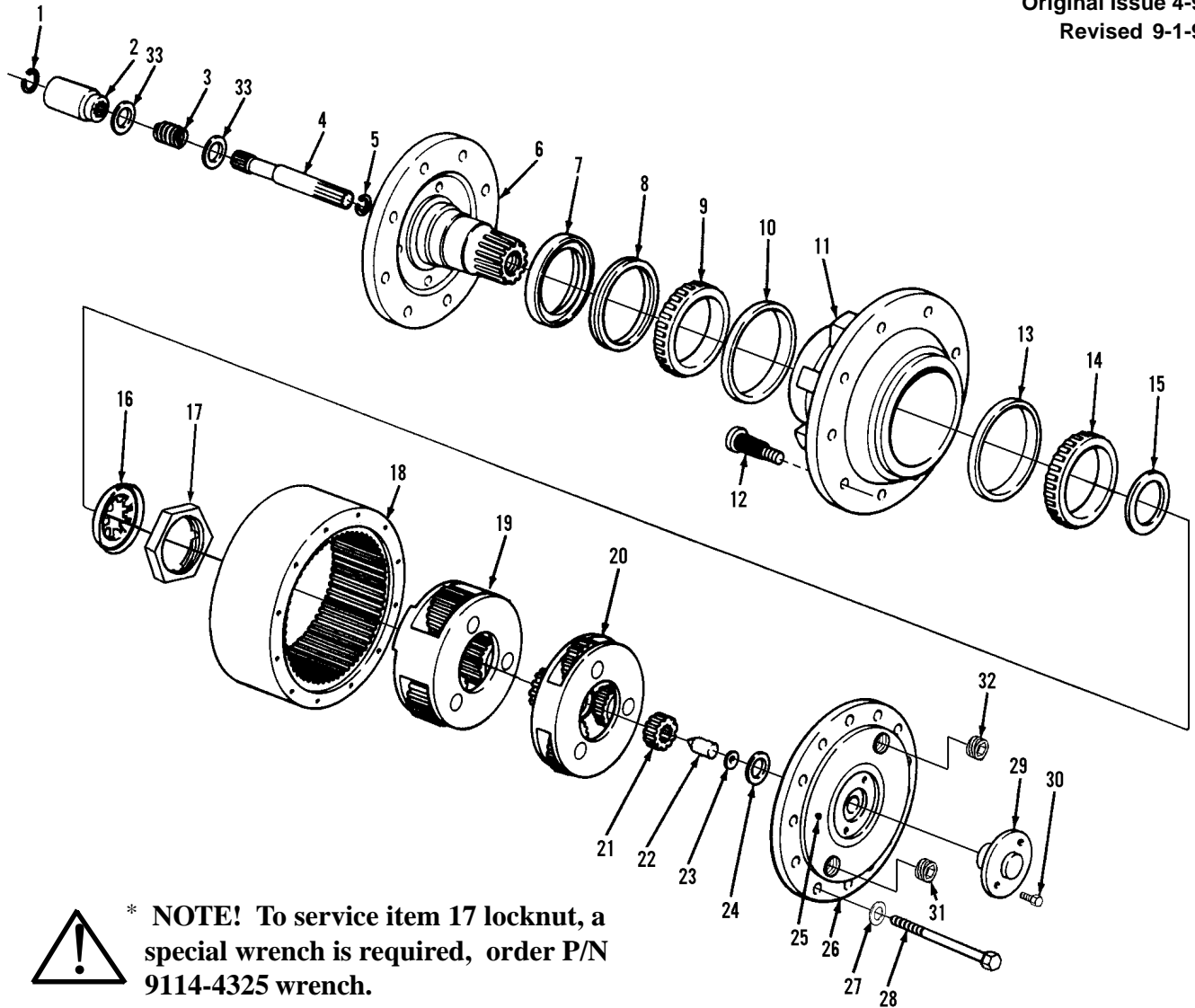
*** NOTE: AS OF 4-7-95, THE SPINDLE (ITEM 4) IS OBSOLETE AND STOCK IS LIMITED. WHEN STOCK IS DEPLETED, YOU WILL NEED TO PURCHASE A NEW WHEEL DRIVE ASSEMBLY, PART NUMBER 9103-3504.**

Item	Part No.	Qty.	Description Of Part
	9103-3382	2	REAR DRIVE HUB ASSY (includes all items)
	9104-4462	1	SEAL KIT (includes items 5, 8 & 20)
1	9104-4277	1	COUPLING
2	9104-4279	1	INPUT SHAFT
3	9104-4099	1	RETAINING RING
4	9104-4280	1	SPINDLE
5		1	OIL SEAL
6	9020-2501	1	BEARING CONE
7	9020-2500	1	BEARING CUP
8		1	BOOT SEAL
9	9104-4360	1	HUB
10	9104-4311	12	WHEEL BOLT
11	9106-4005	1	BEARING CUP
12	9106-4006	1	BEARING CONE
13	9104-4105	1	THRUSTWASHER
14	9104-4278	1	SPRING
15	9104-4276	1	RETAINING RING
16	9112-4015	1	RING GEAR
17	9104-4101	1	MAGNETIC PLUG
18	9112-4017	1	SECONDARY CARRIER (includes items 19 & 20)

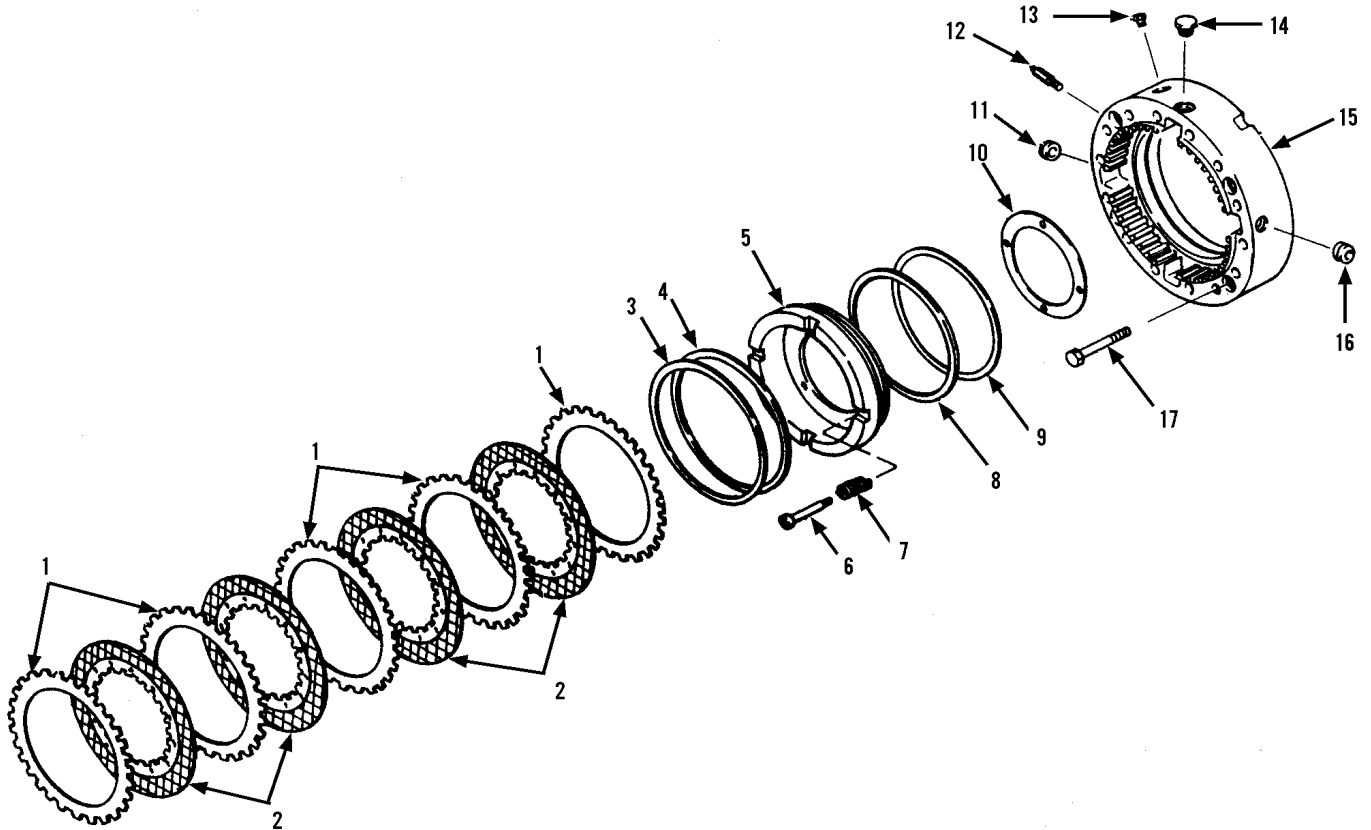
Item	Part No.	Qty.	Description Of Part
* 19	9109-4003	1	LOCKNUT
* 20	9106-4010	1	LOCK SCREW
21	9112-4018	1	PRIMARY CARRIER
22	9112-4019	1	PRIMARY SUN GEAR
23	9104-4106	1	PLUNGER
24	9104-4107	1	O-RING
25	9106-4007	1	THRUSTWASHER
26	9104-4109	1	COVER
27	9104-4361	1	PIPE PLUG
28	9104-4112	1	DISENGAGE COVER
29	9104-4113	2	HEX HD BOLT
30	9112-4027	12	FLAT WASHER
31	9104-4111	12	HEX HDCAPSCREW, 3/8-16

NOTE: ONLY ITEMS WITH PART NUMBERS ARE AVAILABLE FOR SERVICE.

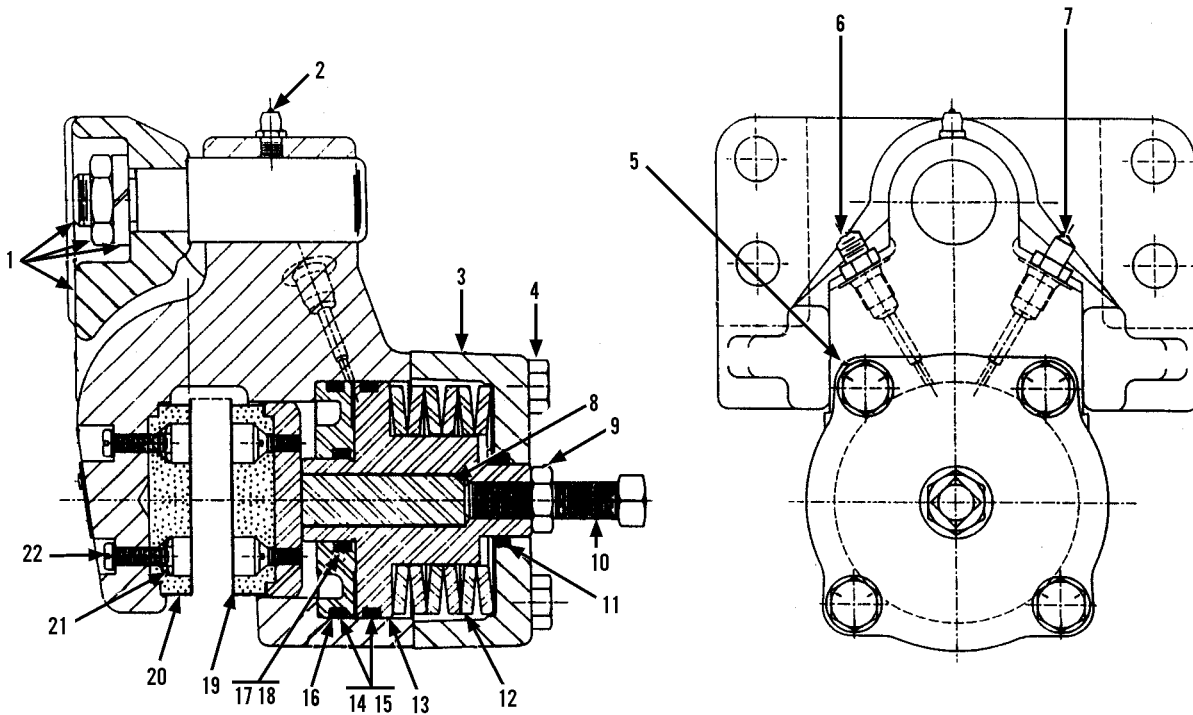
NOTE: QUANTITIES SHOWN ARE FOR ONE HUB ASSY ONLY.



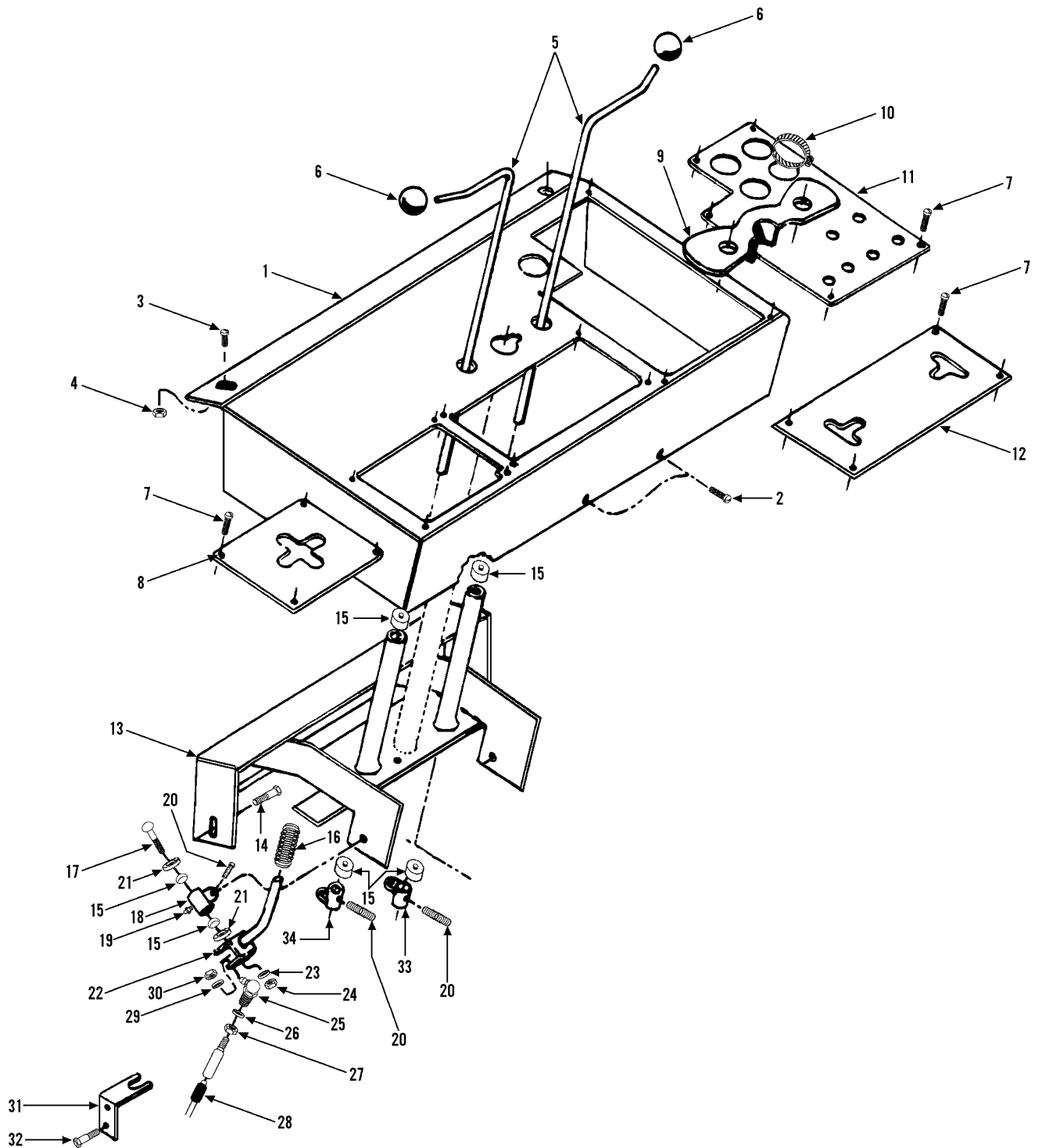
Item	Part No.	Qty.	Description Of Part	Item	Part No.	Qty.	Description Of Part
	9103-3504	2	REAR STEERING AXLE DRIVE HUB	19	9103-4386	1	SECONDARY CARRIER ASSY
	9104-4462	Ref	REPAIR KIT (includes items 7, 8 and 30)	20	9103-4387	1	PRIMARY CARRIER ASSY
1	9104-4276	1	RETAINING RING	21	9103-4388	1	PRIMARY SUN GEAR
2	9104-4277	1	COUPLING	22	9104-4106	1	PLUNGER
3	9114-4175	1	SPRING	23	9104-4107	1	O-RING
4	9114-4176	1	INPUT SHAFT	24	9104-4105	1	THRUST WASHER
5	9104-4099	2	RETAINING RING	25	9104-4361	1	PIPE PLUG
6	9114-4177	1	SPINDLE	26	9114-4188	1	COVER
7		1	SEAL	27	9112-4027	12	FLAT WASHER
8		1	OIL SEAL	28	9114-4189	12	HEX HD BOLT
9	9020-2501	1	OUTER BEARING CONE	29	9104-4112	1	DISENGAGE COVER
10	9020-2500	1	OUTER BEARING CUP	30		1	LOCK SCREW
11	9114-4178	1	HUB	31	9104-4101	1	MAGNETIC PLUG
12	9104-4311	12	WHEEL BOLT	32	9103-4389	1	PIPE PLUG
13	9114-4179	1	INNER BEARING CUP	33	9103-4390	2	THRUSTWASHER
14	9114-4180	1	INNER BEARING CONE				NOTE: ONLY ITEMS WITH PART NUMBERS ARE AVAILABLE FOR SERVICE.
15	9114-4181	1	THRUST WASHER				NOTE: QUANTITIES SHOWN ARE FOR ONE HUB ASSY ONLY.
16	9114-4182	1	LOCKWASHER				
17	9114-4183	1	LOCK NUT				
18	9103-4385	1	RING GEAR				



Item	Part No.	Qty.	Description Of Part
1	9104-4403	10	STATIONARY DISC
2	9104-4404	8	FRICTION DISC
3	9104-4405	2	PISTON OUTER BACK-UP RING
4	9104-4406	2	PISTON OUTER QUAD RING
5	9104-4407	2	BRAKE PISTON
6	9104-4408	8	SHOULDER BOLT
7	9104-4409	8	SHOULDER BOLT SPRING
8	9104-4410	2	PISTON INNNER QUAD RING
9	9104-4411	2	PISTON INNER BACK-UP RING
10	9104-4412	AR	SHIM (.003 thick)
	9104-4413	AR	SHIM (.005 thick)
	9104-4414	AR	SHIM (.010 thick)
	9104-4415	AR	SHIM (.020 thick)
11	9104-4416	2	DRAIN PLUG
12	9104-4417	2	BLEEDER SCREW
13	9104-4418	2	INLET PLUG
14	9104-4419	4	COOLING PLUG
15	9104-4420	2	BRAKE HOUSING
16	8307-3699	2	FILLER PLUG
17	9104-4421	8	HEX HD CAPSCREW



Item	Part No.	Qty.	Description Of Part	Item	Part No.	Qty.	Description Of Part
	9105-3540	1	PARKING BRAKE ASSY (includes all items)	13	9104-4439	1	PISTON
	9104-4427	AR	REPAIR KIT (includes items 11, 14, 17, & 18)	14		2	BACK-UP RING
	9104-4428	AR	LINING KIT (includes item 19 thru 22)	15		2	O-RING
1	9104-4429	1	MOUNTING ASSY	16	9104-4440	1	PISTON
2	9104-4430	1	LUBE FITTING	17		1	O-RING
3	9104-4431	1	COVER	18		1	BACK-UP RING
4	9104-4432	4	HEX HD CAPSCREW	19		1	LINING ASSY
5	9104-4433	4	LOCKWASHER	20		1	LINING
6	9104-4434	1	CONNECTOR	21		2	BUSHING
7	9100-4021	1	BLEEDER SCREW	22		2	SLOTTED SCREW
8	9104-4435	1	PUSH ROD				NOTE: ONLY ITEMS WITH PARTS NUMBERS ARE AVAILABLE FOR SERVICE
9	9104-4436	1	HEX JAM NUT				
10	9104-4437	1	SQUARE HD SET SCREW				
11		1	WIPER SEAL				
12	9104-4438	6	BELLVILLE SPRING				



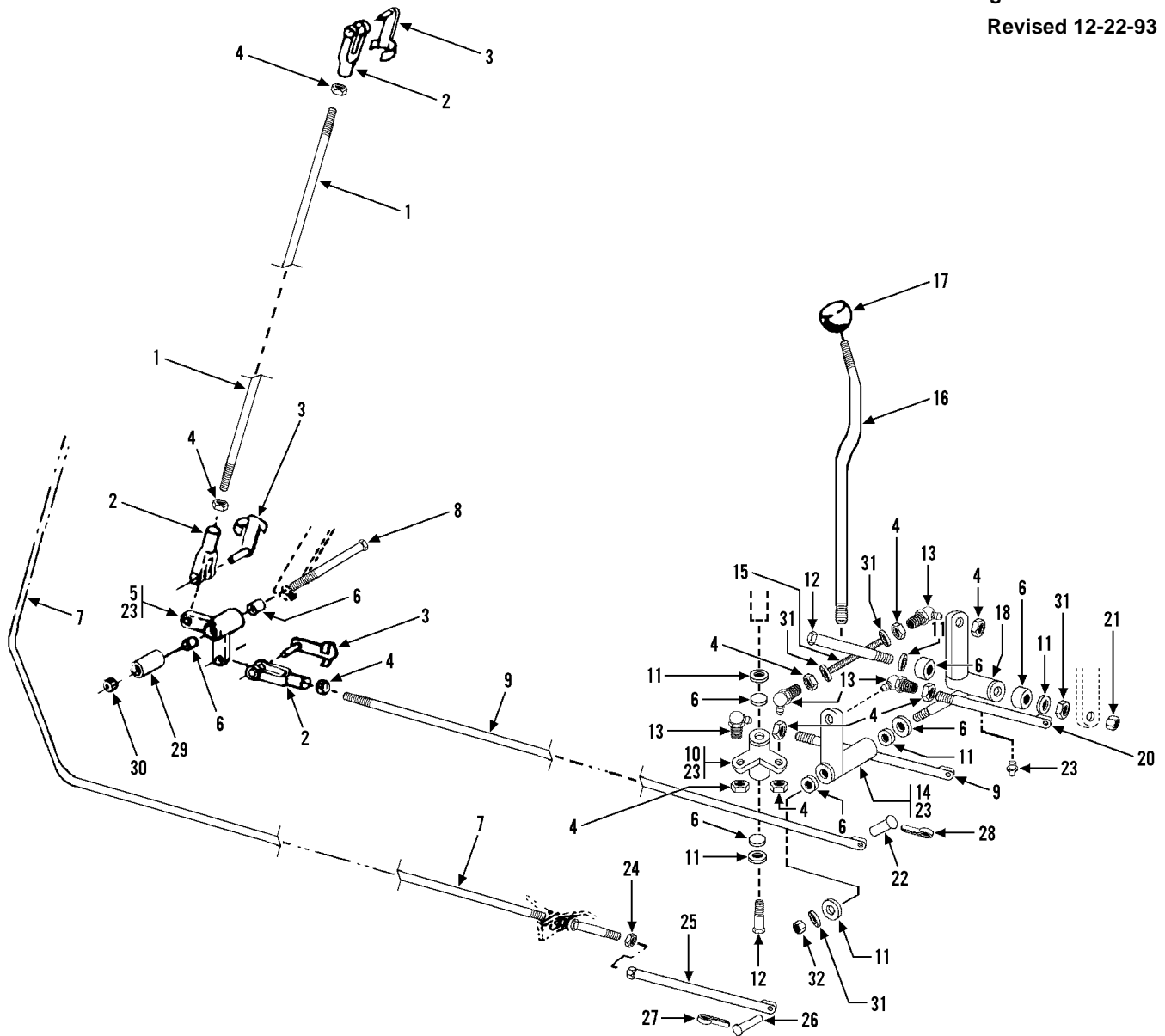
GRADALL®
MATERIAL HANDLER
534B-9

CONTROLS
Transmission & Sway
Starting Serial No. 0144860S
Original Issue 10-90
Revised 1-15-98

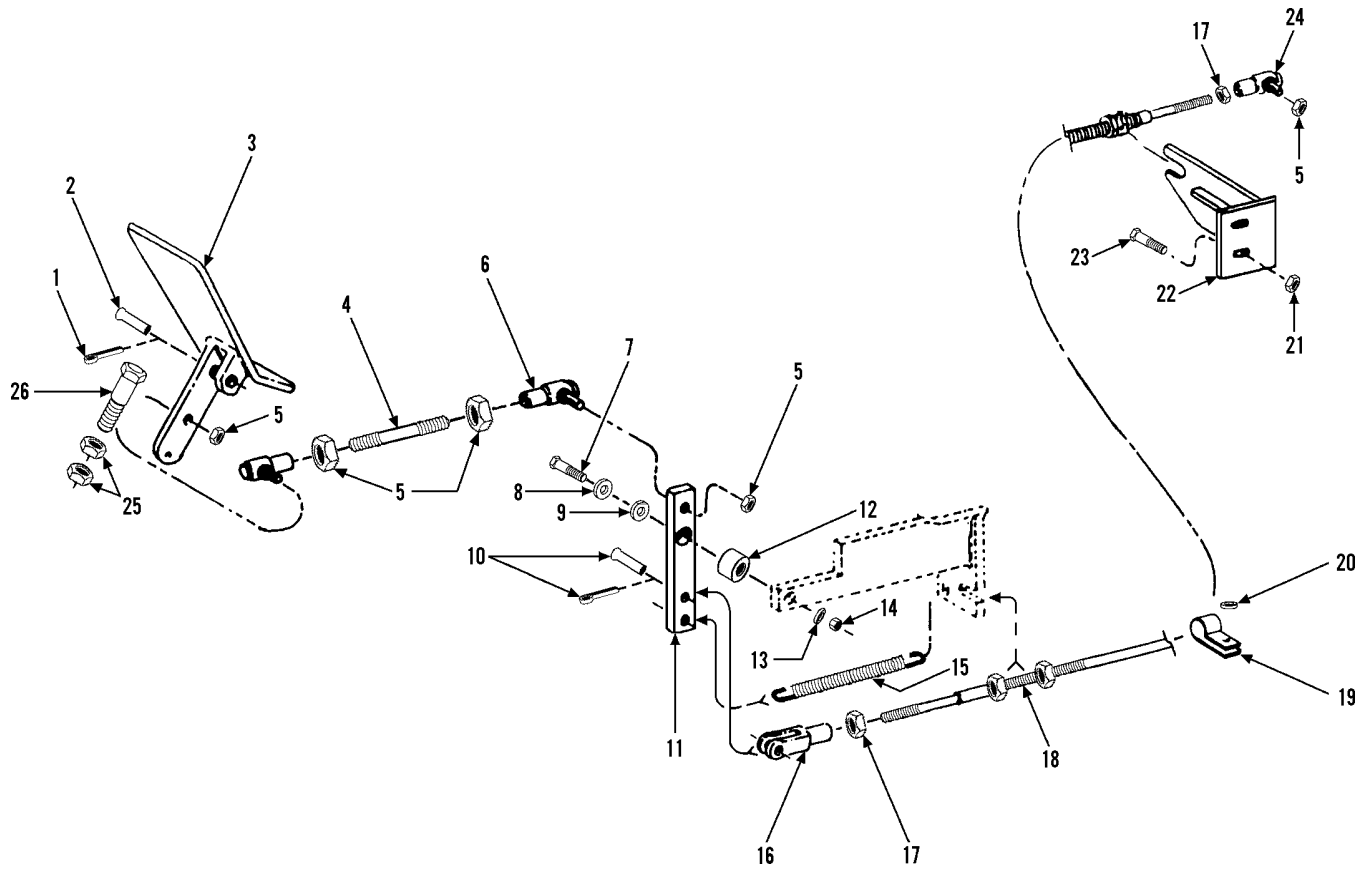
Item	Part No.	Qty.	Description Of Part	Item	Part No.	Qty.	Description Of Part
1	9103-1463	1	CONTROL & INSTRUMENT PANEL	19	8867-1008	1	LUBE FITTING, STRAIGHT, 1/4-28
2	9002-7319	2	SELF-TAPPING SCREW	20	8863-1479	3	ROLL PIN, 3/16 X 1-1/4
3	7714-3004	2	WHIZ-LOK SCREW, 5/16-18 X 1-1/4	21	8856-1113	2	FLAT WASHER, #4
4	7714-3006	2	WHIZ-LOK NUT		9002-8662	2	WAVE BEND WASHER
5	9020-5542	2	CONTROL ROD	22	9040-3406	1	HANDLE WELDMENT
6	9020-0299	2	KNOB	23	8855-1013	1	LOCKWASHER, 1/2 X .171 X .125
7	8832-1015	13	SELF-TAPPING SCREW, #6-32 X 1/2	24	8850-1008	1	HEX NUT, 1/2-13
8	9103-3310	1	COVER PLATE	25	8668-3117	1	BALL JOINT ASSEMBLY
9	9040-2903	1	CONTROL ROD BRACKET	26	8855-1011	1	LOCKWASHER, 3/8 X .141 X .94
10	9002-8695	1	CLAMP (bracket to steering column)	27	8850-1006	1	HEX NUT, 3/8-16
11	9103-5068	1	INSTRUMENT PANEL PLATE	28	9020-6861	1	CABLE ASSEMBLY
12	9103-1470	1	CONTROL PANEL	29	8855-1010	1	LOCKWASHER, 5/16 X .125 X .078
13	9080-1213	1	CONTROL BRACKET	30	8850-1305	1	HEX NUT, 5/16-24
14	8820-1065	2	HEX HD CAPSCREW, 1/2-13 X 1, GR5	31	9103-1013	1	CABLE BRACKET
15	9020-0290	6	NEEDLE BEARING	32	8826-1030	2	SOCKET BUTTON HD CAPSCREW, 3/8-16 X 1-1/4
16	9020-0774	1	HANDLE GRIP	33	9020-5973	1	BELL CRANK
17	9020-3502	1	SHOULDER BOLT	34	9103-6042	1	BELL CRANK
18	9020-6859	1	BELL CRANK				

GRADALL®
MATERIAL HANDLER
534B-9

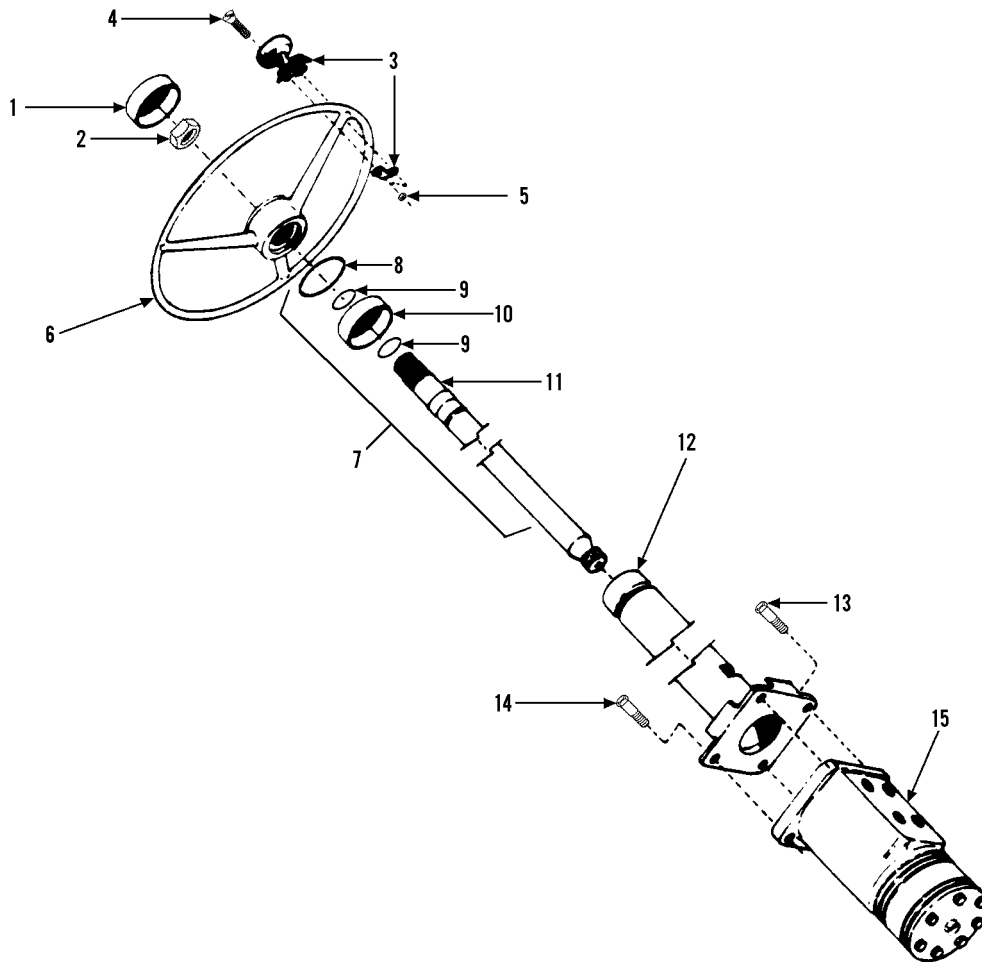
CONTROLS
Boom, Tilt and Sway
 Starting Serial No. 0144860S
 Original Issue 10-90
 Revised 12-22-93



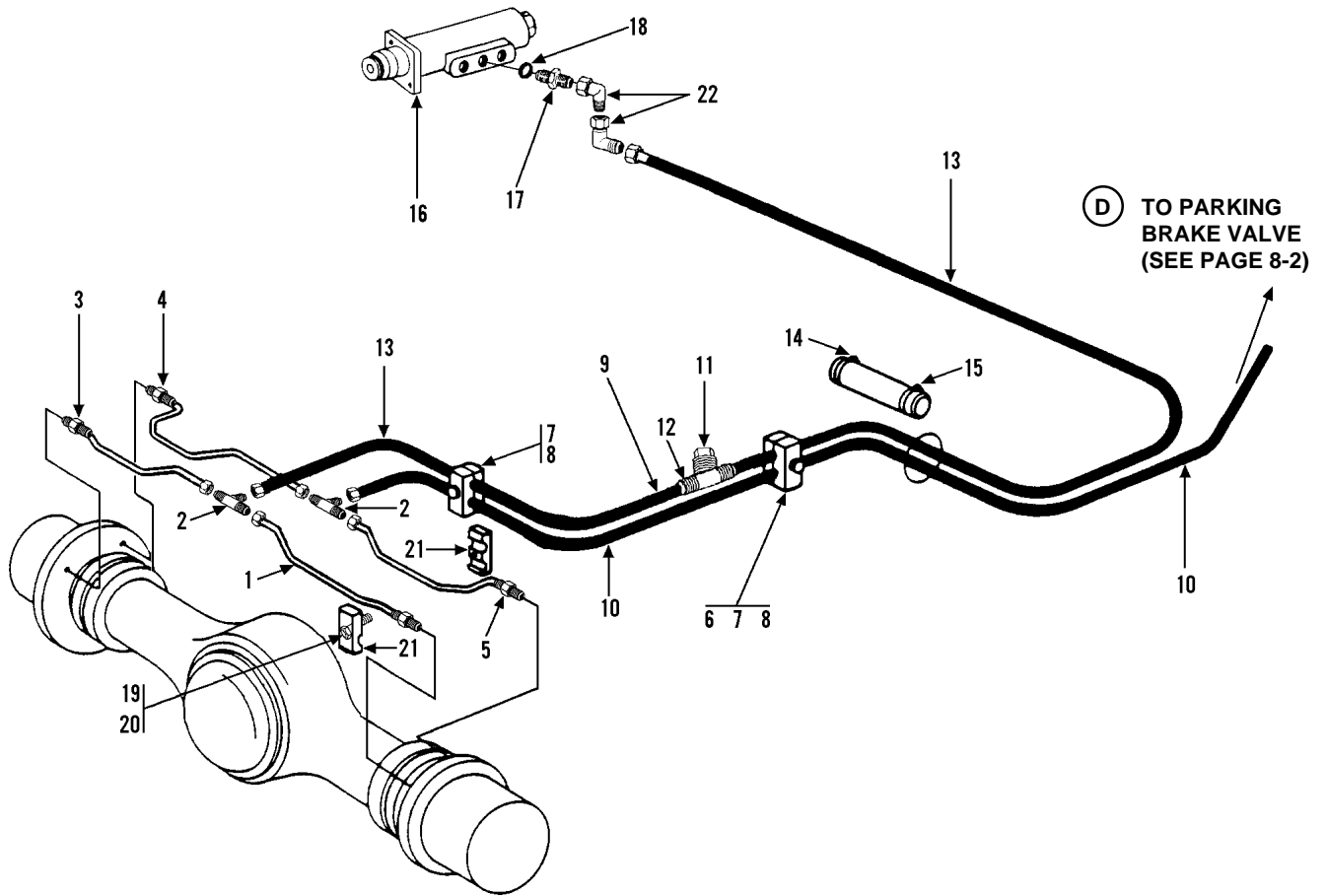
Item	Part No.	Qty.	Description Of Part	Item	Part No.	Qty.	Description Of Part
1	9020-2361	1	CONTROL LINKAGE ROD (tilt)	17	9020-0638	1	KNOB
2	8882-1004	3	ADJUSTABLE YOKE END	18	9020-5558	1	BELL CRANK
3	9002-7987	3	SPRING CLEVIS	19	9106-6020	1	LINKAGE ROD
4	8850-1406	AR	HEX NUT, 3/8 - 24	20	9106-6021	1	LINKAGE ROD
5	9020-5533	1	BELL CRANK	21	8850-1108	1	HEX JAM NUT, 1/2-13
6	9020-0290	8	NEEDLE BEARING	22	9002-1552	4	CLEVIS PIN
7	9020-6861	1	TILT, SWAY CONTROL CABLE	23	8867-1008	4	LUBE FITTING, STRAIGHT, 1/4-28
8	8820-1328	1	HEX HD CAPSCREW, 5/8-11 X 6-1/2, GR5	24	8850-1305	1	HEX NUT, 5/16-24
9	9104-6051	1	LINKAGE ROD	25	9104-1236	1	CABLE END
10	9020-5534	1	BELL CRANK	26	9002-1552	1	CLEVIS PIN
11	9002-8662	6	WAVE WASHER	27	8863-1302	1	COTTER PIN, 1/16 X 3/4
12	9020-3502	2	SHOULDER BOLT	28	8863-1301	4	COTTER PIN, 1/16 X 1/2
13	9020-0406	4	BALL JOINT	29	9020-5580	1	SPACER (not required with auxiliary hydraulics option)
14	9020-5765	1	BELL CRANK	30	8850-1010	2	HEX NUT, 5/8-11
15	9040-0543	1	STUD	31	8856-1113	9	FLAT WASHER, #4
16	9020-5759	1	BOOM CONTROL HANDLE	32	8850-1110	1	HEX JAM NUT, 5/8-11



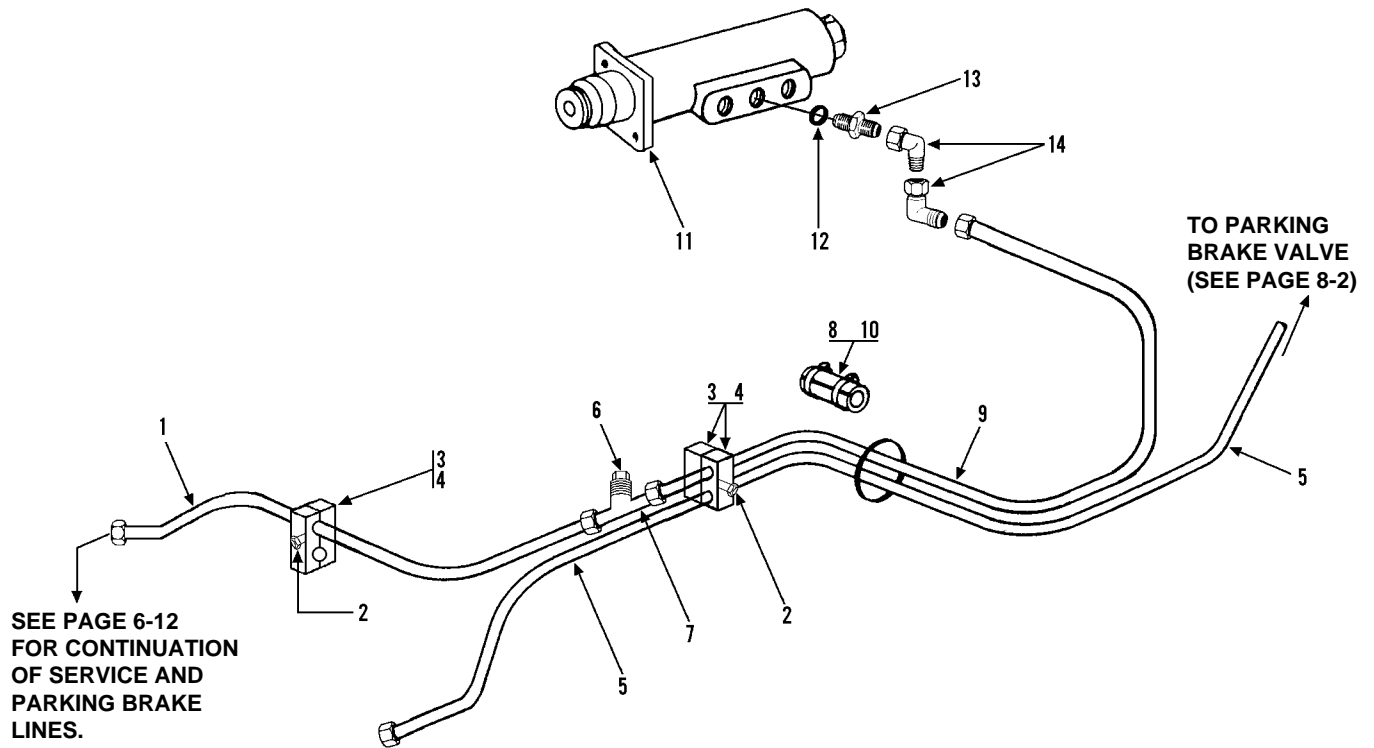
Item	Part No.	Qty.	Description Of Part	Item	Part No.	Qty.	Description Of Part
1	8863-1318	1	COTTER PIN, 1/8 X 1	15	9020-7801	1	SPRING
2	9002-1584	1	CLEVIS PIN	16	9002-8977	1	YOKE
3	9103-6022	1	ACCELERATOR PEDAL	17	8850-1613	2	HEX NUT, #10-32
4	9103-1088	1	LINKAGE ROD	18	9020-0795	1	ACCELERATOR CABLE
5	8850-1404	5	HEX NUT, 1/4-28	19	9002-8660	1	HOSE CLIP
6	8668-3118	2	BALL JOINT	20	7710-4085	1	LOCKWASHER
7	8825-1018	1	SOCKET HD SHOULDER SCREW, 3/8 X 1/2 (5/16-18 THREAD)	21	8852-1305	2	HEX LOCKNUT, 5/16-18
8	8856-1109	1	FLAT WASHER, 3/8	22	9103-1388	1	CABLE BRACKET
9	9002-8946	AR	WAVY WASHER	23	8820-1021	2	HEX HD CAPSCREW, 5/16-18 X 1-1/4, GR5
10	9002-7685	1	CLEVIS & COTTER PIN	24	9002-7908	1	BALL JOINT
11	9103-1087	1	BELL CRANK	25	8850-1110	2	HEAVY HEX JAM NUT, 5/8-11
12	9103-3281	1	BEARING	26	8820-1106	1	HEX HD CAPSCREW, 5/8-11 X 4-1/2, GR5
13	8856-1111	1	FLAT WASHER, 1/2				
14	8850-1105	1	HEAVY HEX JAM NUT, 5/16-18				



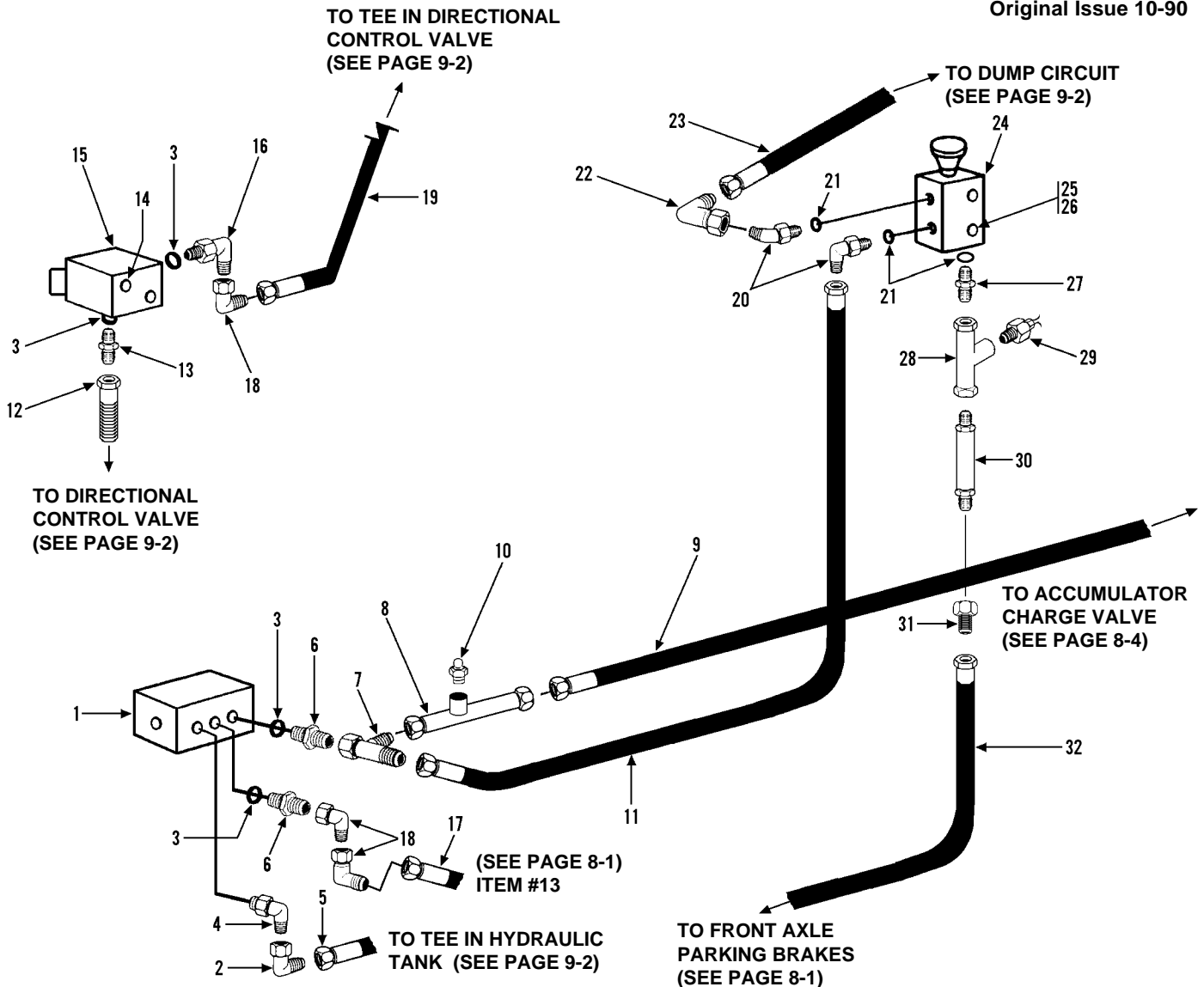
Item	Part No.	Qty.	Description Of Part
1	9060-0274	1	STEERING CAP
2	9020-0266	1	STEERING WHEEL NUT
3	9020-2230	1	SPINNER KNOB (includes items 4 and 5)
4	9002-0397	2	FLAT HD SCREW, 1/4NC X 1
5	8850-1004	2	HEX NUT, 1/4-20
6	9060-0273	1	STEERING WHEEL
7	9060-0267	1	STEERING COLUMN (includes items 8 through 12)
8	9020-1347	1	RETAINING RING
9	9020-1346	2	RETAINING RING
10	9020-1348	1	BEARING
11	9020-1349	1	SHAFT
12	9020-1350	1	TUBE & FLANGE
13	8820-1037	2	HEX HD CAPSCREW, 3/8-16 X 1-1/2, GR5
14	8820-1033	2	HEX HD CAPSCREW, 3/8-16 X 3/4, GR5
15	9020-6762	1	ORBITROL
	9020-6567	AR	SEAL KIT



Item	Part No.	Qty.	Description Of Part
1	9104-3293	1	TUBE ASSY
2	8866-1305	2	UNION TEE, 3/8 TUBE
3	9104-3294	1	TUBE ASSY
4	9104-3189	1	TUBE ASSY
5	9104-3190	1	TUBE ASSY
6	7713-3177	2	HEX HD CAPSCREW
7	7713-3140	2	COVER PLATE
8	7713-3139	2	CLAMP SET
9	8471-7524	1	HOSE ASSY
10	8471-7522	1	HOSE ASSY
11	9103-3032	1	MINI-CHECK COUPLING
12	9104-3091	1	FEMALE BRANCH TEE
13	8471-7523	1	HOSE ASSY
14	9002-7178	6	NYLON HOSE TIE
15	9104-1258	3	SLOTTED HOSE
16	9108-3154	Ref	BRAKE VALVE ASSY (see page 10-21 for details)
17	8866-2018	1	CONNECTOR (includes item #18)
18	8859-1205	1	O-RING
19	8820-1005	2	HEX HD CAPSCREW, 1/4-20 X 1, GR5
20	8856-1002	2	FLAT WASHER, 1/4
21	7713-3270	2	CLAMP SET
22	8866-2105	2	ELBOW, 90 DEGREES (swivel nut)

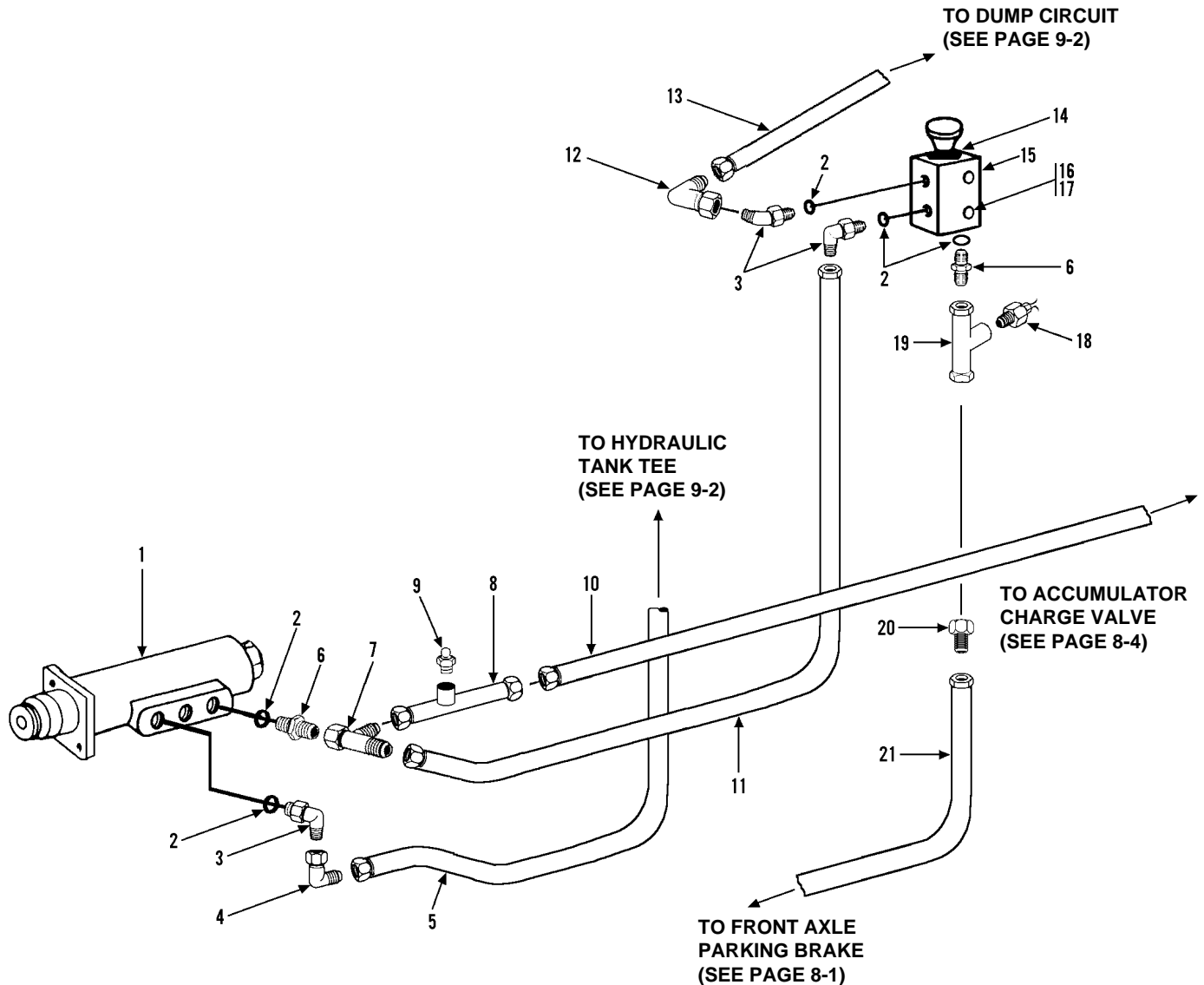


Item	Part No.	Qty.	Description Of Part
1	8471-7524	Ref	HOSE ASSY (see page 6-12 for details)
2	7713-3177	2	HEX HD CAPSCREW
3	7713-3140	2	COVER PLATE
4	7713-3139	2	CLAMP SET
5	8471-7987	1	HOSE ASSY
6	9103-3032	1	MINI-CHECK COUPLING
7	9104-3091	1	FEMALE BRANCH TEE
8	9104-1258	1	HOSE
9	8471-7523	1	HOSE ASSY
10	9002-7187	AR	NYLON HOSE TIE
11	9108-3154	Ref	BRAKE VALVE ASSY (see page 10-21 for details)
12	8859-1205	1	O-RING
13	8866-2018	1	CONNECTOR (includes item #12)
14	8866-2105	2	ELBOW, 90 DEGREES (swivel nut)



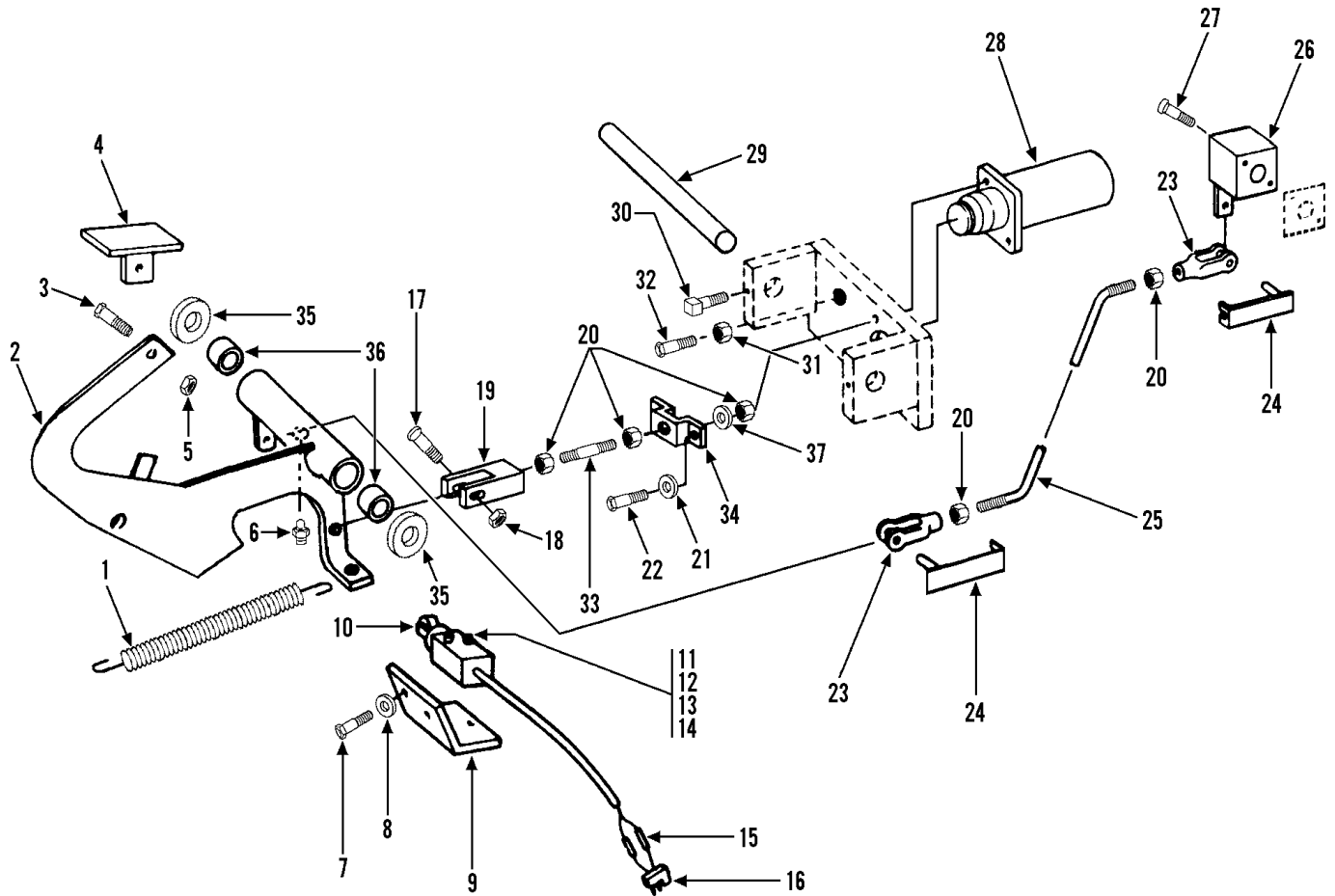
Item	Part No.	Qty.	Description Of Part
1	9108-3154	Ref	BRAKE VALVE ASSY (see page 10-21 for details)
2	8866-2106	1	ELBOW - 90 DEGREES (swivel nut)
3	8859-1204	6	O-RING
4	7713-1088	1	ELBOW - 90 DEGREES
5	9020-7842	1	HOSE ASSY
6	8866-2005	2	CONNECTOR (includes item #3)
7	8866-2239	1	SWIVEL NUT RUN TEE, 3/8 TUBE
8	9104-3163	1	TUBE ASSY
9	8471-7561	1	HOSE ASSY (see page 9-14)
10	7710-3089	1	MINI-CHECK COUPLING
11	8471-7508	1	HOSE ASSY
12	7713-3342	1	HOSE ASSY
13	8866-2005	1	CONNECTOR (includes item #3)
14	8821-2228	2	SOCKET HD CAPSCREW, 5/16-18 X 1-1/4, GR8
15	9103-3096	1	INCHING VALVE ASSY
	9103-4018	AR	SEAL KIT
16	8866-2064	2	ELBOW, 90 DEGREES (includes item #3)

Item	Part No.	Qty.	Description Of Part
17	8471-7523	1	HOSE ASSY
18	8866-2105	3	ELBOW, 90 DEGREES (swivel nut)
19	8471-7466	1	HOSE ASSY
20	8866-2065	2	ELBOW, 90 DEGREES (includes item #21)
21	8859-1205	3	O-RING
22	8866-2105	1	ELBOW, 90 DEGREES (swivel nut)
23	7713-3167	1	HOSE ASSY
24	9104-3090	Ref	PARK BRAKE VALVE (see page 10-22 for details)
25	8826-1021	2	SOCKET BUTTON HD CAPSCREW, 5/16-18 X 5/8
26	8855-1010	2	LOCKWASHER, 5/16
27	8866-2018	1	CONNECTOR (includes item #21)
28	9104-3131	1	TUBE ASSY
29	9104-3077	1	PRESSURE SWITCH
30	9104-3143	1	CHECK VALVE
31	8866-1342	1	TUBE END REDUCER, 1/2 X 3/8
32	8471-7522	Ref	HOSE ASSY (see page 8-1)

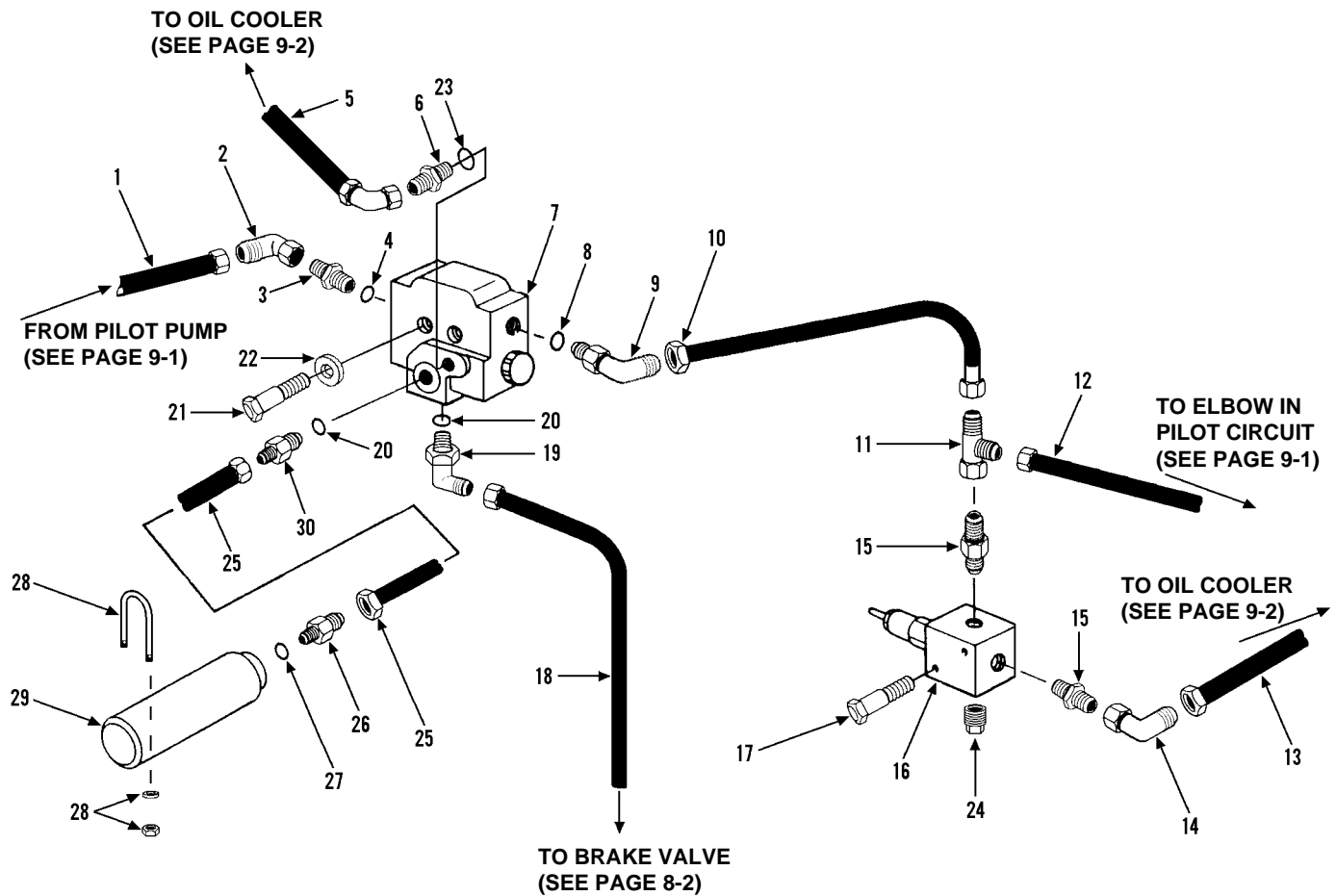


Item	Part No.	Qty.	Description Of Part
1	9108-3154	Ref	BRAKE VALVE ASSY (see page 10-21 for details)
2	8859-1205	5	O-RING
3	8866-2065	3	ELBOW, 90 DEGREES (includes item #2)
4	8866-2106	1	ELBOW, 90 DEGREES (swivel nut)
5	8471-7842	1	HOSE ASSY
6	8866-2018	2	CONNECTOR (includes item #2)
7	8866-2239	1	SWIVEL NUT RUN TEE, 3/8 TUBE
8	9104-3163	1	TUBE ASSY
9	7713-3089	1	MINI-CHECK COUPLING
10	8471-7317	1	HOSE ASSY
11	8471-7508	1	HOSE ASSY

Item	Part No.	Qty.	Description Of Part
12	8866-2105	1	ELBOW, 90 DEGREES (swivel nut)
13	7713-3167	1	HOSE ASSY
14	9103-3378	1	BOOT
15	9104-3090	Ref	PARK BRAKE VALVE (see page 10-22 for details)
16	8826-1021	2	SOCKET BUTTON HD CAPSCREW, 5/16-18 X 5/8
17	8855-1010	2	LOCKWASHER, 5/16
18	9103-3416	1	PRESSURE SWITCH
19	9104-3131	1	TUBE ASSY
20	8866-1342	1	TUBE END REDUCER, 1/2 X 3/8
21	8471-7987	1	HOSE ASSY

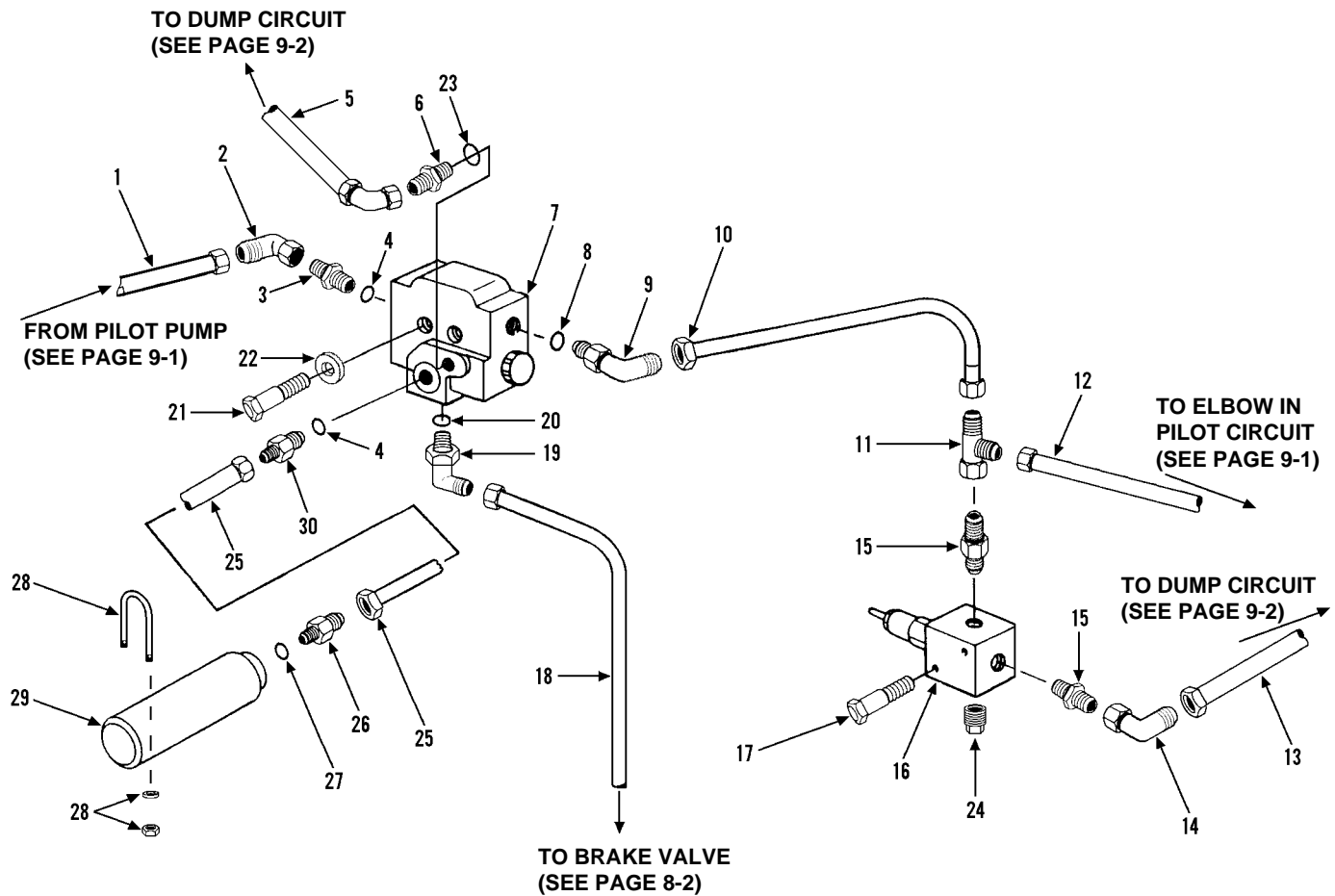


Item	Part No.	Qty.	Description Of Part	Item	Part No.	Qty.	Description Of Part
1	9104-3214	1	SPRING	19	9104-1521	1	SPECIAL CLEVIS
2	9104-6101	1	BRAKE LEVER WELDMENT	20	8850-1406	5	HEX JAM NUT, 3/8-24
3	8820-1068	1	HEX HD CAPSCREW, 1/2-13 X 1-3/4, GR5	21	8855-1011	2	LOCKWASHER, 3/8
4	9104-6104	1	PEDAL WELDMENT	22	8820-1036	2	HEX HD CAPSCREW, 3/8-16 X 1-1/4
5	8852-1208	1	HEX LOCKNUT, 1/2-13	23	8882-1004	2	ADJUSTABLE YOKE END, 3/8-24
6	8867-1008	1	LUBE FITTING, STRAIGHT, 1/4-28	24	9002-7987	2	SPRING CLEVIS
7	8820-1003	2	HEX HD CAPSCREW, 1/4-20 X 3/4, GR5	25	9104-1522	1	ROD
8	8855-1009	2	LOCKWASHER, 1/4	26	Ref		INCHING VALVE (see page 10-13 for details)
9	9104-1431	1	SWITCH MOUNTING BRACKET	27	8821-2228	2	SOCKET HD CAPSCREW, 5/16-18 X 1-1/4, GR5
10	9103-3439	1	TRANSMISSION DISCONNECT SWITCH	28	Ref		BRAKE VALVE (see page 10-21 for details)
11	8821-1032	2	SOCKET HD CAPSCREW, #10-24 X 1, GR8	29	9020-1562	1	PIN
12	8856-1105	2	FLAT WASHER, #10	30	8844-1001	2	SQUARE HD SET SCREW, 1/4-20 X 1/2 (cup point)
13	8855-1007	2	LOCKWASHER, #10	31	8850-1106	1	HEX JAM NUT, 3/8-16
14	8850-1612	2	HEX NUT, #10-24	32	8320-1073	1	HEX HD CAPSCREW, 3/8-16 X 4-1/2
15	8668-3480	2	CRIMP-ON CONNECTOR	33	9104-1536	1	PUSH ROD
16	8348-3114	1	MALE CONNECTOR	34	9104-1520	1	BRAKE VALVE RETAINER
17	8825-1021	1	SOCKET HD SHOULDER SCREW, 3/8 X 1, 5/16-18 THREAD	35	9002-8662	2	WASHER
18	8852-1205	1	HEX LOCKNUT, 5/16-18	36	9020-0290	2	BEARING
				37	8856-1004	1	FLAT WASHER, 3/8



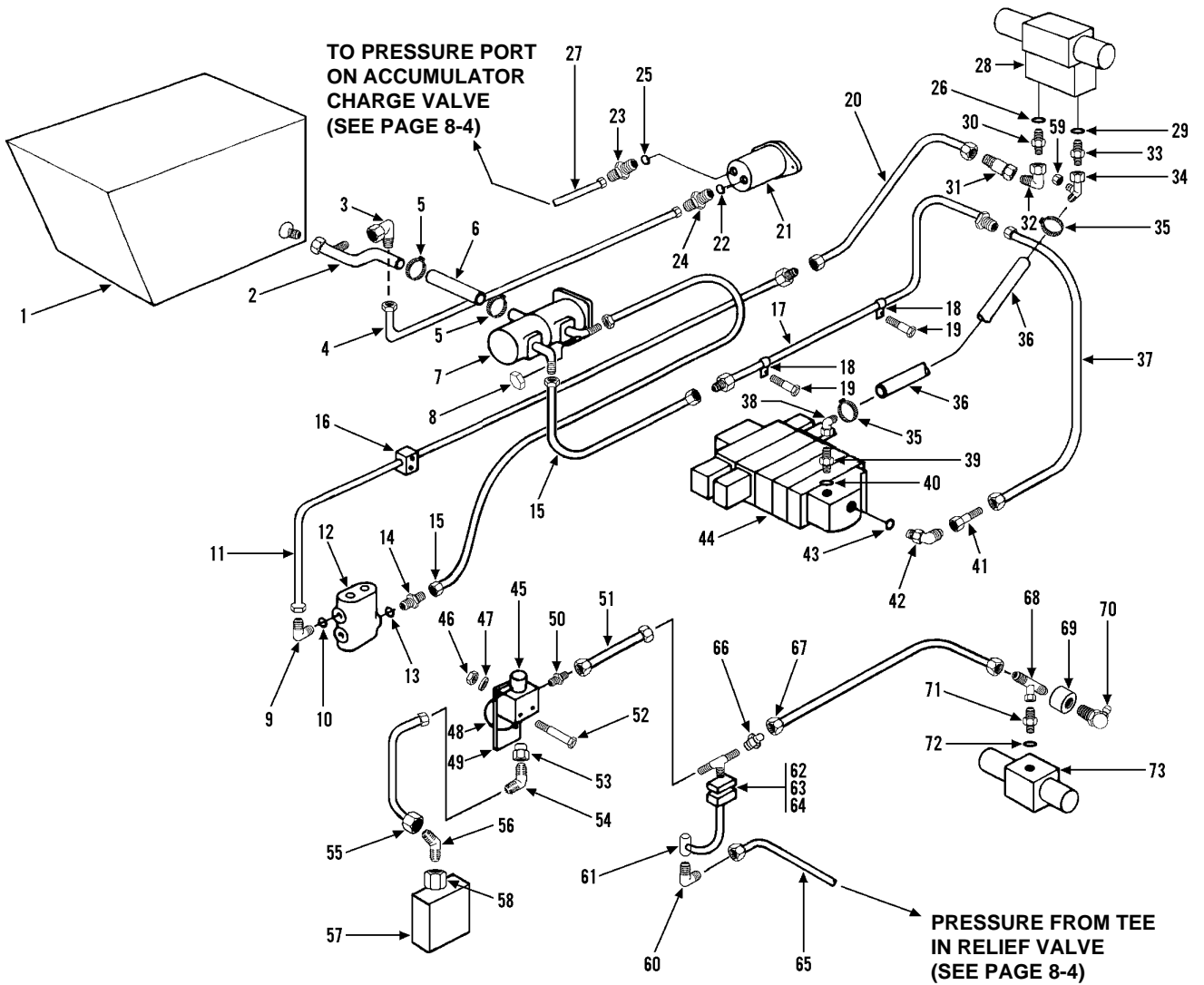
Item	Part No.	Qty.	Description Of Part	Item	Part No.	Qty.	Description Of Part
1	8471-6251	1	HOSE ASSY	17	8820-1009	2	HEX HD CAPSCREW, 1/4-20 X 2, GR5
2	8866-2108	1	ELBOW, 90 DEGREES (swivel nut)	18	8471-7561	1	HOSE ASSY
3	8866-2023	1	CONNECTOR (includes item #4)	19	8866-2065	1	ELBOW, 90 DEGREES (includes item #20)
* 4	8859-1205	2	O-RING	20	8859-1205	1	O-RING
5	8471-7638	1	HOSE ASSY	21	8821-1046	2	SOCKET HD CAPSCREW, 1/4-20x2, GR8
6	8866-2003	1	CONNECTOR (includes item #23)	22	8855-1105	2	LOCK WASHER, 1/4 (hi-collar)
7	9104-3296	Ref	ACCUMULATOR CHARGE VALVE (see page 10-17 for details)	23	8859-1202	1	O-RING
* 8	8859-1205	1	O-RING	24	8871-1282	1	SOCKET HD PIPE PLUG, 3/8
* 9	8866-2085	1	ELBOW, 45 DEGREES (includes item #8)	25	8471-7610	1	HOSE ASSY
10	9020-7360	1	HOSE ASSY	26	8866-2020	1	CONNECTOR (includes item #27)
*11	8866-2240	1	SWIVEL NUT RUN TEE, 1/2 TUBE	27	8859-1207	1	O-RING
12	8471-7413	1	HOSE ASSY	28	8368-3175	2	CLAMP
13	8471-7518	1	HOSE ASSY	29	9105-3380	1	ACCUMULATOR
14	8866-2120	1	ELBOW, 45 DEGREES (swivel nut)	*	9105-4003	1	ACCUMULATOR (uncharged)
15	8874-3003	2	MALE ADAPTER, 3/8 X 1/2 TUBE	30	8866-2006	1	CONNECTOR (includes item #4)
16	9103-3128	1	RELIEF VALVE ASSY				

* Added uncharged accumulator for shipping purposes. Changed quantity on item 4, part number on item 8, and changed descriptions on items 9 & 11.

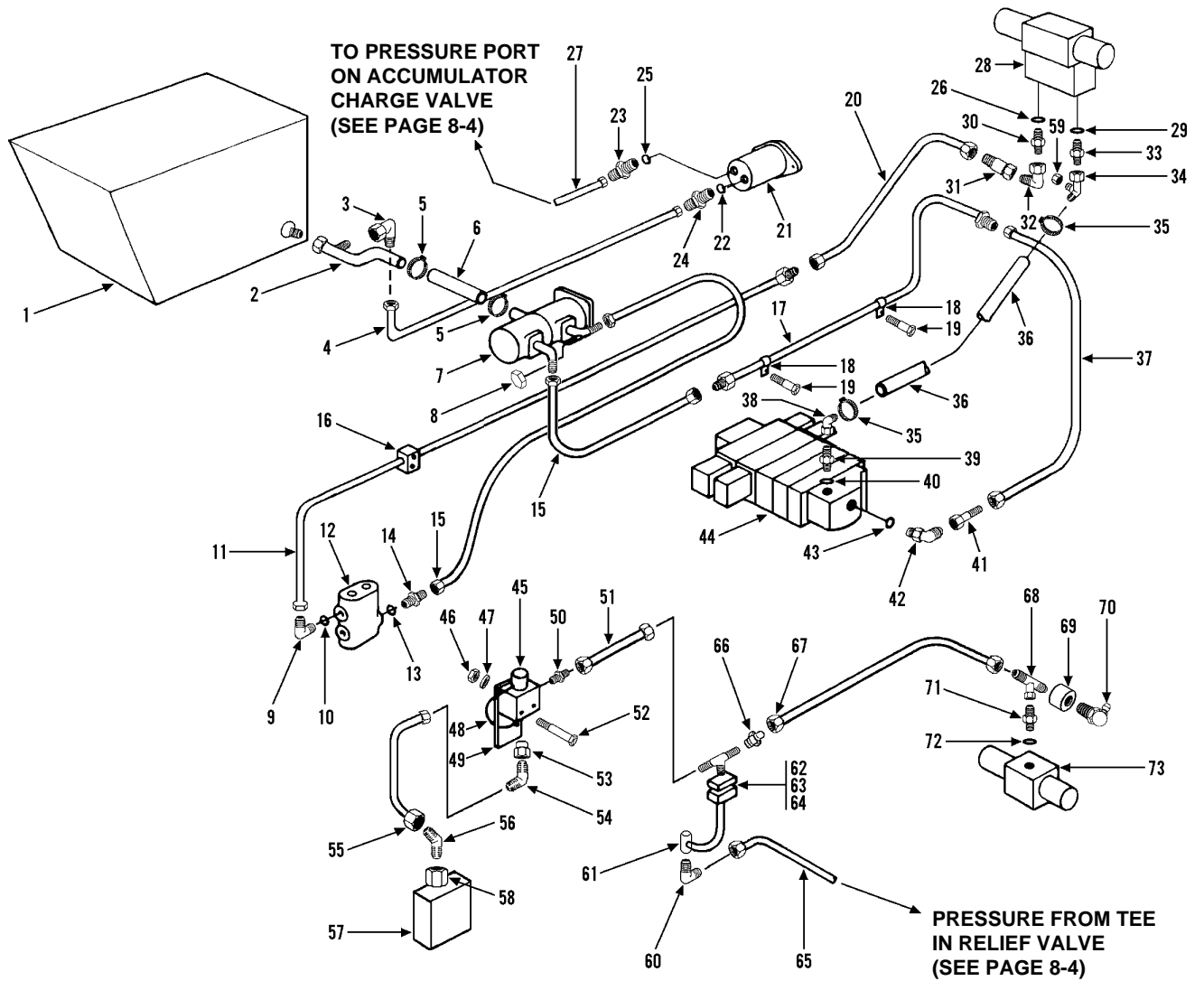


Item	Part No.	Qty.	Description Of Part	Item	Part No.	Qty.	Description Of Part
1	8471-6251	1	HOSE ASSY	17	8820-1009	2	HEX HD CAPSCREW, 1/4-20 X 2, GR5
2	8866-2108	1	ELBOW, 90 DEGREES (swivel nut)	18	8471-7561	1	HOSE ASSY
3	8866-2023	1	CONNECTOR (includes item #4)	19	8866-2065	1	ELBOW, 90 DEGREES (includes item #20)
4	8859-1205	2	O-RING	20	8859-1205	1	O-RING
5	8471-7489	1	HOSE ASSY	21	8821-1047	2	SOCKET HD CAPSCREW, 1/4-20 X 2-1/4, GR8
6	8866-2003	1	CONNECTOR (includes item #23)	22	8855-1105	2	LOCK WASHER, 1/4 (hi-collar)
7	9108-3239	Ref	ACCUMULATOR CHARGE VALVE (see page 10-17 for details)	23	8859-1202	1	O-RING
* 8	8859-1205	1	O-RING	24	8871-1282	1	SOCKET HD PIPE PLUG, 3/8
* 9	8866-2085	1	ELBOW, 45 DEGREES (includes item #8)	25	7713-3171	1	HOSE ASSY
10	9020-7360	1	HOSE ASSY	26	8866-2020	1	CONNECTOR (includes item #27)
*11	8866-2240	1	SWIVEL NUT RUN TEE, 1/2 TUBE	27	8859-1207	1	O-RING
12	8471-7413	1	HOSE ASSY	28	8368-3175	2	CLAMP
13	8471-7518	1	HOSE ASSY	29	9105-3380	1	ACCUMULATOR
14	8866-2120	1	ELBOW, 45 DEGREES (swivel nut)	*	9105-4003	1	ACCUMULATOR (uncharged)
15	8874-3003	2	MALE ADAPTER, 3/8 X 1/2 TUBE	30	8866-2006	1	CONNECTOR (includes item #4)
16	9103-3128	1	RELIEF VALVE ASSY				

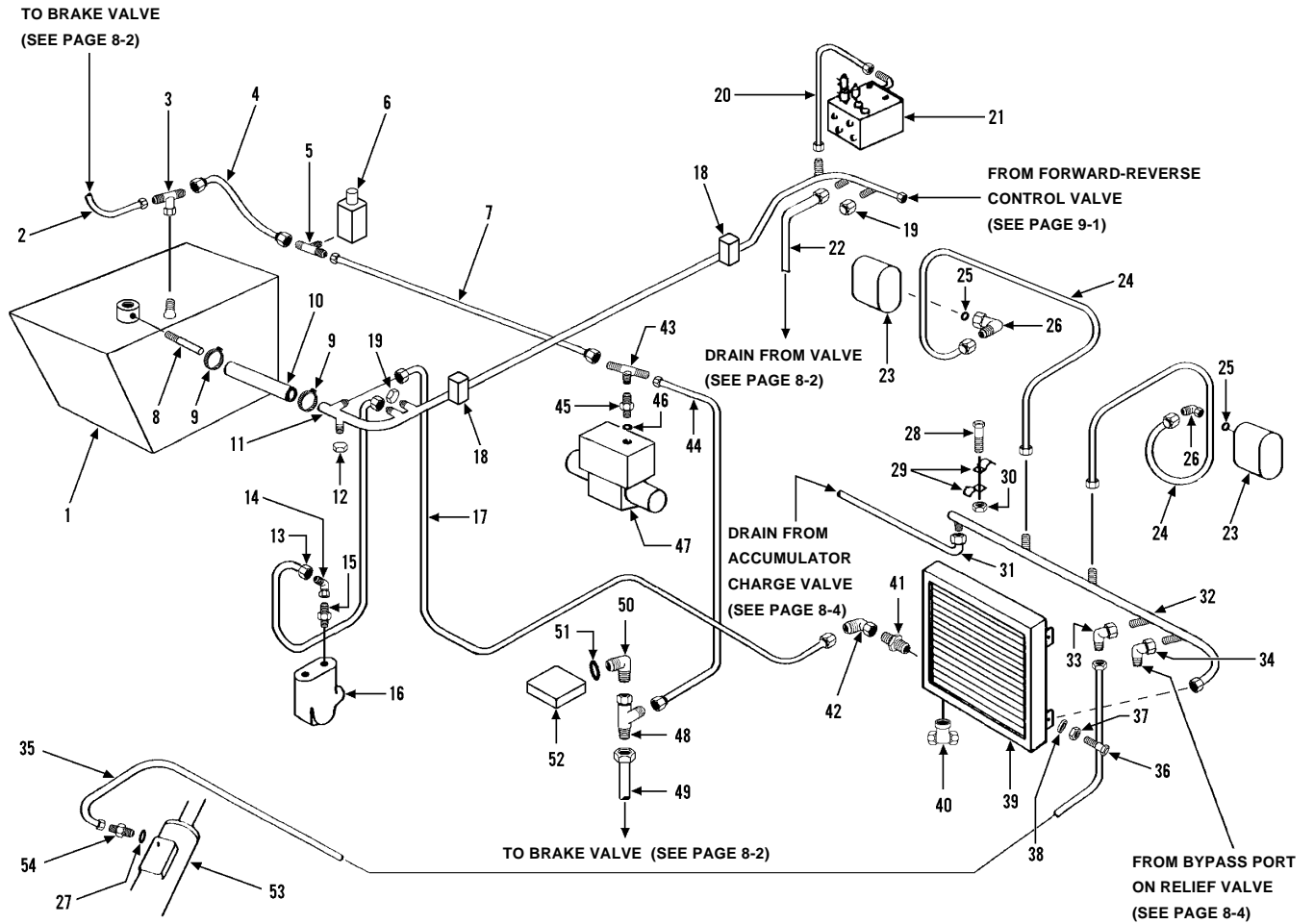
* Added uncharged accumulator for shipping purposes. Changed part number on item 8, and changed descriptions on items 9 & 11.



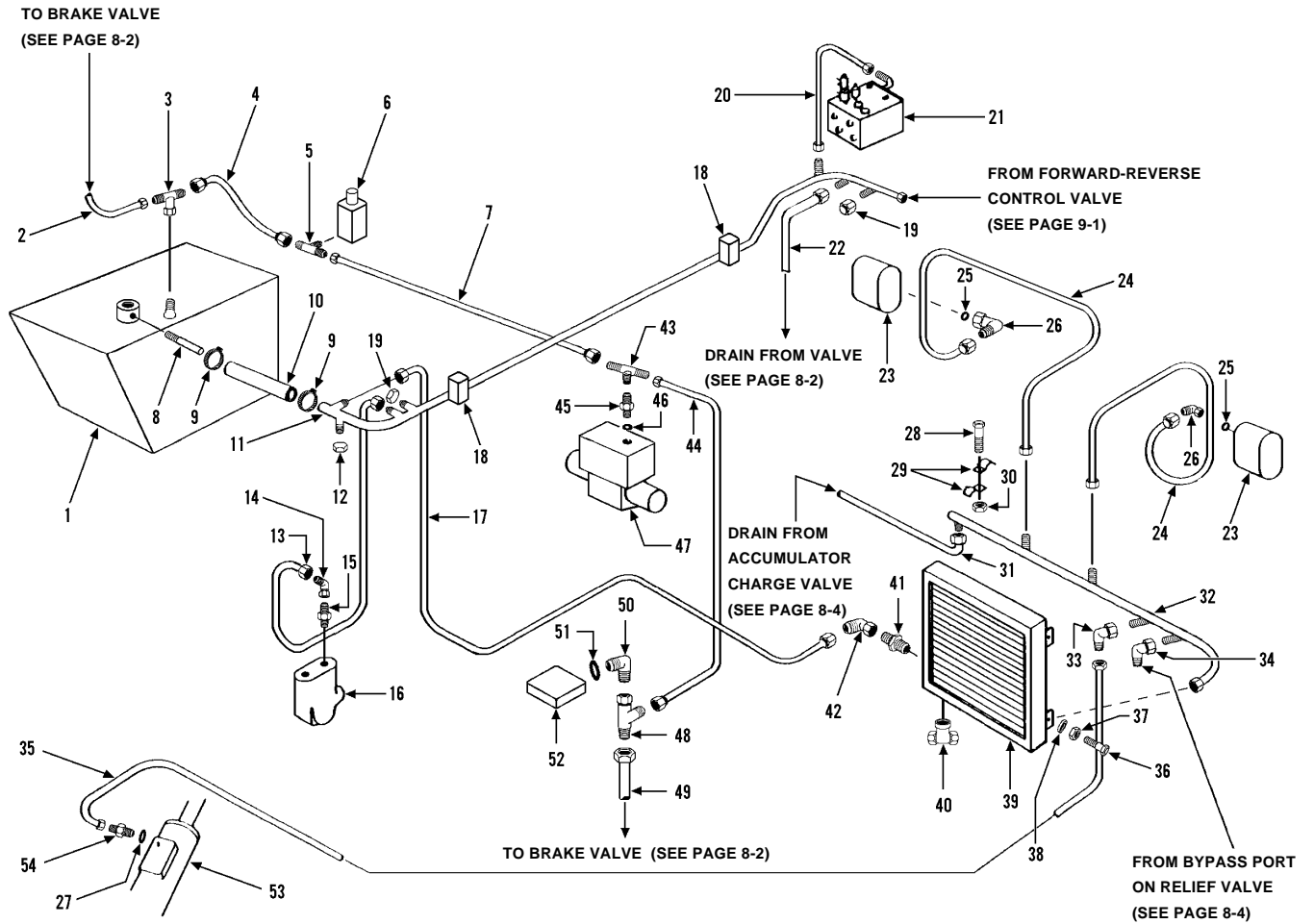
Item	Part No.	Qty.	Description Of Part	Item	Part No.	Qty.	Description Of Part
1	9103-6002	Ref	OIL RESERVOIR ASSY (see page 10-20 for details)	38	9020-5783	1	TUBE ASSY
2	9103-3257	1	ELBOW	39	8866-2011	1	CONNECTOR (includes item #40)
3	8866-2110	1	ELBOW, 90 DEGREES (swivel nut)	40	8859-1210	1	O-RING
4	7713-3875	1	HOSE ASSY	41	8325-1262	1	REDUCER
5	9002-8720	2	HOSE CLAMP	42	8866-2070	1	ELBOW, 90 DEGREES (includes item #43)
6	9103-3125	1	SUCTION HOSE	43	8859-1210	1	O-RING
7	9103-3226	Ref	MAIN HYDRAULIC PUMP (see page 10-14 for details)	44	9103-3296	Ref	MAIN CONTROL VALVE (see page 10-7 for details)
8	8866-1366	1	HEX CAP, 5/8 TUBE	45	9020-6739	Ref	SOLENOID VALVE (see page 10-11 for details)
9	8866-2069	1	ELBOW, 90 DEGREES (includes item #10)	46	8852-1304	2	HEX LOCKNUT, 1/4-20
10	8859-1209	1	O-RING	47	8856-1107	2	FLAT WASHER, 1/4
11	9020-7690	1	TUBE ASSY	48	9020-7719	1	JUMPER WIRE
12	9103-3240	Ref	PRIORITY FLOW CONTROL VALVE (see page 10-8 for details)	49	9103-1041	1	MOUNTING PLATE
13	8859-1209	1	O-RING	50	8874-3003	1	MALE ADAPTER, 3/8 X 1/2 TUBE
14	8866-2010	1	CONNECTOR (includes item #13)	51	8471-7468	1	HOSE ASSY
15	9002-2045	2	HOSE ASSY	52	8820-1009	2	HEX HD CAPSCREW, 1/4-20 X 2, GR5
16	9020-5792	1	CLAMP ASSY	53	8871-1381	1	REDUCING BUSHING, 3/8 X 1/4
17	9103-3069	1	TUBE ASSY	54	8874-3042	1	MALE ELBOW, 90 DEGREES, 1/4 X 5/16 TUBE
18	9020-0481	3	CLAMP	55	8471-6238	1	HOSE ASSY
19	8820-1033	3	HEX HD CAPSCREW, 3/8-16 X 3/4, GR5	56	8874-3036	1	MALE ELBOW, 45 DEGREES, 1/8 X 5/16 TUBE
20	9002-2045	1	HOSE ASSY	57	9103-4260	Ref	TRANSMISSION CONTROL VALVE (see page 6-10 for details)
21	9104-3297	Ref	PILOT PUMP ASSY (see page 10-15 for details)	58	9020-7872	1	HYDRAULIC CUP
22	8859-1206	1	O-RING	59	8866-1367	1	HEX CAP, 3/4 TUBE
23	8866-2024	1	CONNECTOR (includes item #22)	60	8866-1206	1	UNION ELBOW
24	8866-2027	1	CONNECTOR, STRAIGHT (includes item #25)	61	9103-3073	1	TUBE ASSY
25	8859-1207	1	O-RING	62	7713-3499	4	HEX HD CAPSCREW
26	8859-1210	1	O-RING	63	7713-3498	2	COVER PLATE
27	8471-6251	1	HOSE ASSY	64	9103-3138	2	CLAMP
28	9020-6737	Ref	FORWARD-REVERSE CONTROL VALVE (see page 10-9 for details)	65	8471-7413	1	HOSE ASSY
29	8859-1210	1	O-RING	66	9103-3100	1	IN-LINE STRAINER
30	8866-2028	1	CONNECTOR (includes item #26)	67	7713-3147	1	HOSE ASSY
31	8866-2124	1	ELBOW, 45 DEGREES (swivel nut)	68	8866-2225	1	SWIVEL NUT RUN TEE
32	8866-2110	1	ELBOW, 90 DEGREES (swivel nut)	69	7724-1003	1	ADAPTER
33	8866-2011	1	CONNECTOR (includes item #29)	70	7713-3089	1	MINI-CHECK COUPLING
34	9103-3142	1	TUBE ASSY	71	8866-2026	1	CONNECTOR (includes item #72)
35	9002-8482	2	HOSE CLAMP	72	8859-1204	1	O-RING
36	9104-3153	1	HOSE	73	9103-3097	Ref	DIRECTIONAL CONTROL VALVE (see page 10-19 for details)
37	9002-2045	1	HOSE ASSY				



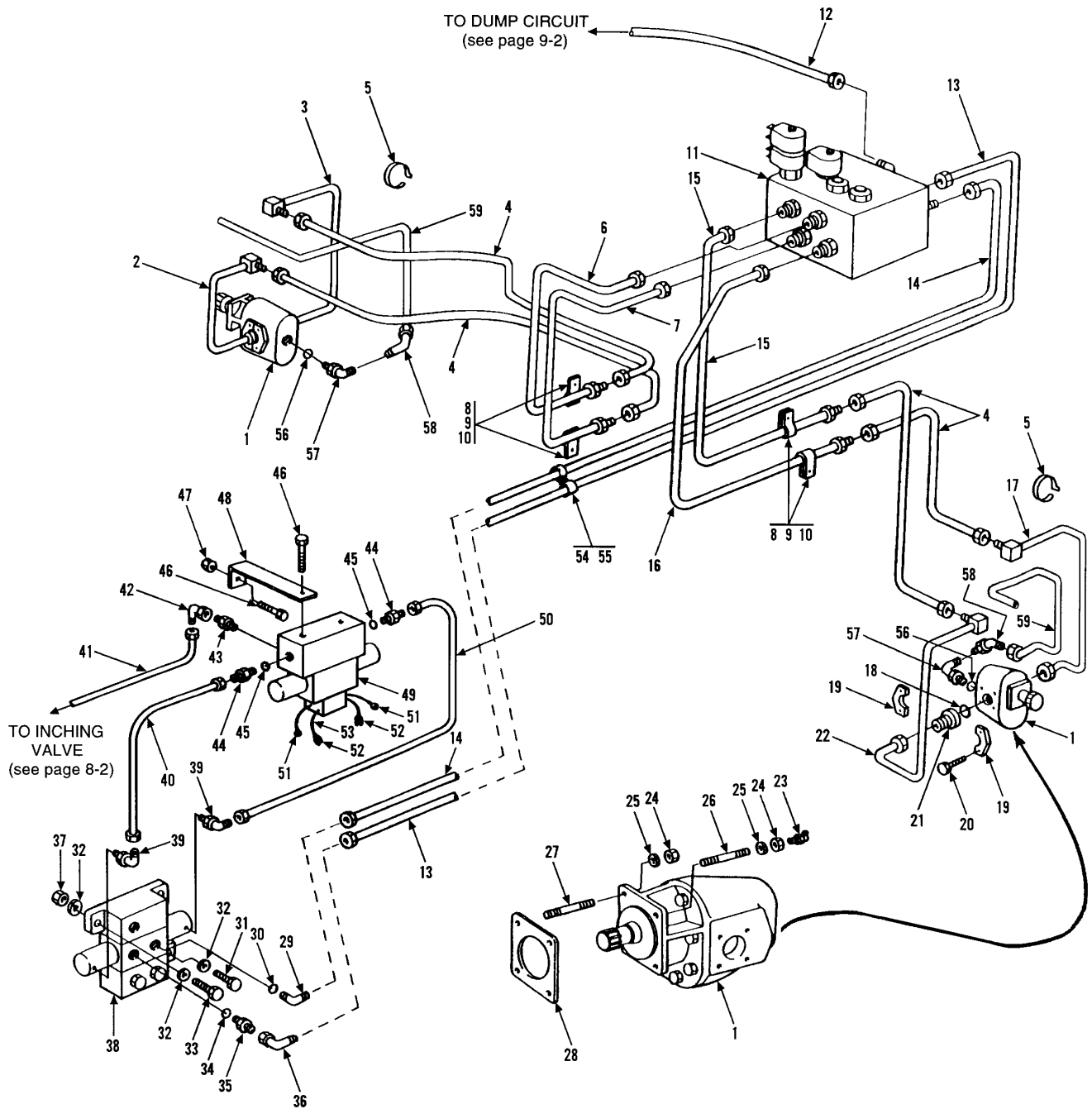
Item	Part No.	Qty.	Description Of Part	Item	Part No.	Qty.	Description Of Part
1		Ref	OIL RESERVOIR ASSY (see page 10-20 for details)	38	9020-5783	1	TUBE ASSY
2	9103-3257	1	ELBOW	39	8866-2011	1	CONNECTOR (includes item #40)
3	8866-2110	1	ELBOW, 90 DEGREES (swivel nut)	40	8859-1210	1	O-RING
4	7713-3875	1	HOSE ASSY	41	8325-1262	1	REDUCER
5	9002-8720	2	HOSE CLAMP	42	8866-2070	1	ELBOW, 90 DEGREES (includes item #43)
6	9103-3125	1	SUCTION HOSE	43	8859-1210	1	O-RING
7		Ref	MAIN HYDRAULIC PUMP (see page 10-14 for details)	44		Ref	MAIN CONTROL VALVE (see page 10-7 for details)
8	8866-1366	1	HEX CAP, 5/8 TUBE	45		Ref	SOLENOID VALVE (see page 10-11 for details)
9	8866-2069	1	ELBOW, 90 DEGREES (includes item #10)	46	8852-1304	2	HEX LOCKNUT, 1/4-20
10	8859-1209	1	O-RING	47	8856-1107	2	FLAT WASHER, 1/4
11	9020-7690	1	TUBE ASSY	48	9020-7719	1	JUMPER WIRE
12		Ref	PRIORITY FLOW CONTROL VALVE (see page 10-8 for details)	49	9103-1041	1	MOUNTING PLATE
13	8859-1209	1	O-RING	50	8874-3003	1	MALE ADAPTER, 3/8 X 1/2 TUBE
14	8866-2010	1	CONNECTOR (includes item #13)	51	8471-7468	1	HOSE ASSY
15	9002-2045	2	HOSE ASSY	52	8820-1009	2	HEX HD CAPSCREW, 1/4-20 X 2, GR5
16	9020-5792	1	CLAMP ASSY	53	8871-1381	1	REDUCING BUSHING, 3/8 X 1/4
17	9103-3069	1	TUBE ASSY	54	8874-3042	1	MALE ELBOW, 90 DEGREES, 1/4 X 5/16 TUBE
18	9020-0481	3	CLAMP	55	8471-6238	1	HOSE ASSY
19	8820-1033	3	HEX HD CAPSCREW, 3/8-16 X 3/4, GR5	56	8874-3036	1	MALE ELBOW, 45 DEGREES, 1/8 X 5/16 TUBE
20	9002-2045	1	HOSE ASSY	57		Ref	TRANSMISSION CONTROL VALVE (see page 6-10 for details)
21		Ref	PILOT PUMP ASSY (see page 10-15 for details)	58	9020-7872	1	HYDRAULIC CUP
22	8859-1206	1	O-RING	59	8866-1367	1	HEX CAP, 3/4 TUBE
23	8866-2024	1	CONNECTOR (includes item #22)	60	8866-1206	1	UNION ELBOW
24	8866-2027	1	CONNECTOR, STRAIGHT (includes item #25)	61	9103-3073	1	TUBE ASSY
25	8859-1207	1	O-RING	62	7713-3499	4	HEX HD CAPSCREW
26	8859-1210	1	O-RING	63	7713-3498	2	COVER PLATE
27	8471-6251	1	HOSE ASSY	64	9103-3138	2	CLAMP
28		Ref	FORWARD-REVERSE CONTROL VALVE (see page 10-9 for details)	65	8471-7413	1	HOSE ASSY
29	8859-1210	1	O-RING	66	9103-3100	1	IN-LINE STRAINER
30	8866-2028	1	CONNECTOR (includes item #26)	67	7713-3147	1	HOSE ASSY
31	8866-2124	1	ELBOW, 45 DEGREES (swivel nut)	68	8866-2225	1	SWIVEL NUT RUN TEE
32	8866-2110	1	ELBOW, 90 DEGREES (swivel nut)	69	7724-1003	1	ADAPTER
33	8866-2011	1	CONNECTOR (includes item #29)	70	7713-3089	1	MINI-CHECK COUPLING
34	9103-3142	1	TUBE ASSY	71	8866-2026	1	CONNECTOR (includes item #72)
35	9002-8482	2	HOSE CLAMP	72	8859-1204	1	O-RING
36	9104-3153	1	HOSE	73		Ref	DIRECTIONAL CONTROL VALVE (see page 10-19 for details)
37	9002-2045	1	HOSE ASSY				



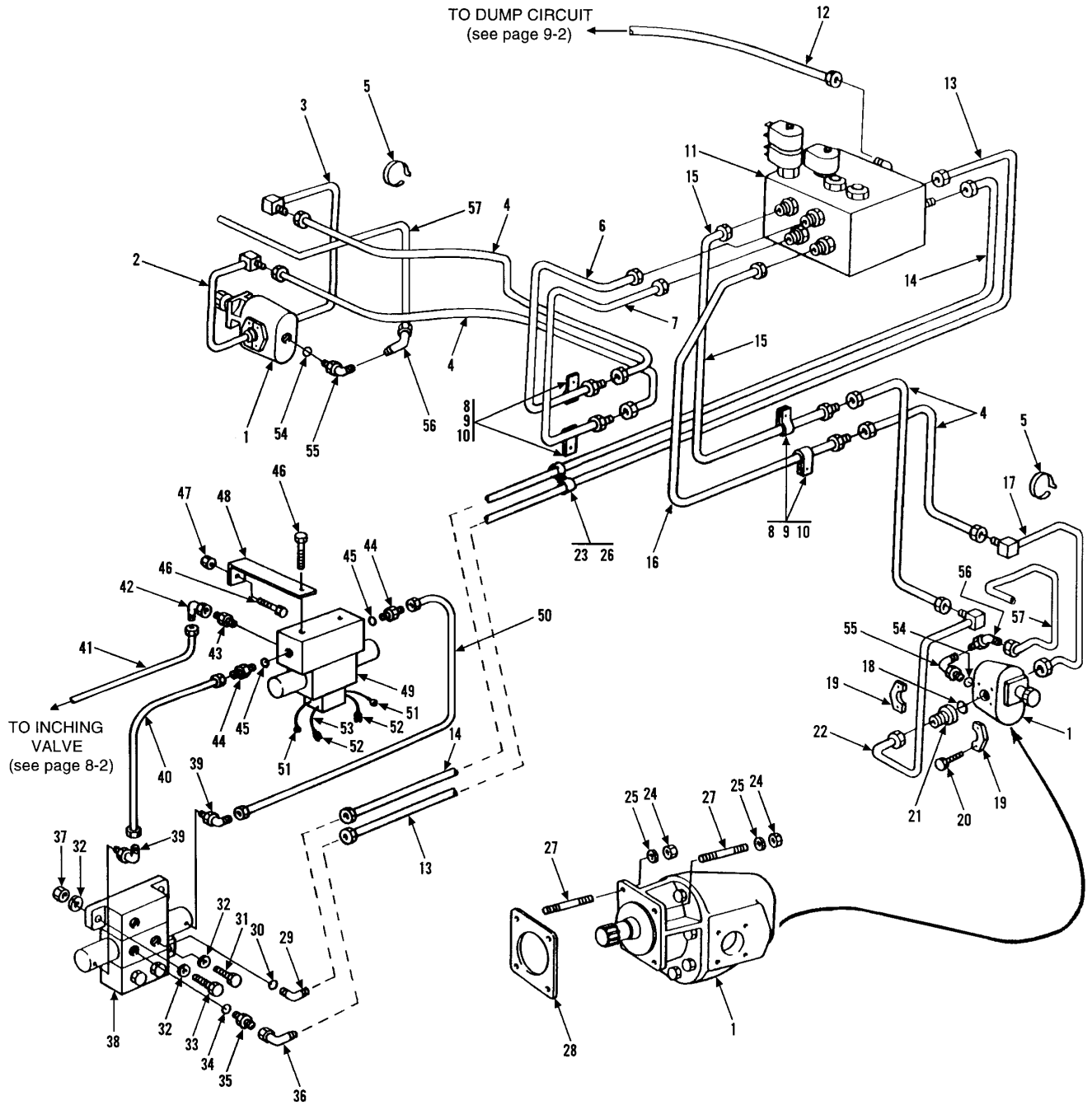
Item	Part No.	Qty.	Description Of Part	Item	Part No.	Qty.	Description Of Part
1	9103-6002	Ref	OIL RESERVOIR ASSY (see page 10-20 for details)	28	8820-1035	1	HEX HD CAPSCREW, 3/8-16 X 1, GR5
2	8471-7842	1	HOSE ASSY	29	9104-3147	2	SUPPORT CLAMP
3	8866-2225	1	SWIVEL NUT BRANCH TEE	30	8852-1006	1	HEX LOCKNUT, 3/8-16
4	9020-7599	1	HOSE ASSY	31	8471-7489	1	HOSE ASSY
5	8866-1245	1	MALE OUTLET TEE, 3/8 X 1/2 TUBE	32	9104-3145	1	DRAIN MANIFOLD
6	9020-6739	1	SOLENOID VALVE ASSY (see page 10-11 for details)	33	8866-2106	1	ELBOW, 90 DEGREES (swivel nut)
7	8471-7520	1	HOSE ASSY	34	8471-7518	1	HOSE ASSY
8	9020-5776	1	ADAPTER	35	8471-7521	1	HOSE ASSY
9	9002-8482	2	HOSE CLAMP	36	8820-1031	4	HEX HD CAPSCREW, 3/8-16 X 1/2, GR5
10	9020-7365	1	HOSE	37	8855-1011	4	LOCKWASHER, 3/8
11	9104-3144	1	TUBE ASSY	38	8856-1109	4	FLAT WASHER, 3/8
12	8866-1365	1	HEX CAP, 1/2 TUBE	39	9103-3050	1	OIL COOLER ASSY
13	7713-3447	1	HOSE ASSY	40	8452-1056	1	DRAIN VALVE
14	8866-2105	1	ELBOW, 90 DEGREES (swivel nut)	41	8692-3006	1	ADAPTER
15	8366-1316	1	CONNECTOR	42	8866-2107	1	ELBOW, 90 DEGREES (swivel nut)
16	9103-3240	Ref	PRIORITY FLOW CONTROL VALVE (see page 10-8 for details)	43	8866-2224	1	SWIVEL NUT RUN TEE
17	8471-7797	1	HOSE ASSY	44	8471-7466	1	HOSE ASSY
18	9020-5793	2	CLAMP ASSY	45	8866-2005	1	CONNECTOR (includes item #46)
19	8866-1364	2	HEX CAP, 3/8 TUBE	46	8859-1204	1	O-RING
20	8471-7900	1	HOSE ASSY	47	9103-3097	Ref	DIRECTIONAL CONTROL VALVE (see page 10-19 for details)
21	9104-5097	Ref	SERIES - PARALLEL VALVE (see page 10-10 for details)	48	8866-2239	1	SWIVEL NUT RUN TEE
22	7713-3167	1	HOSE ASSY	49	8471-7341	1	HOSE ASSY
23	9020-6748	Ref	REAR DRIVE MOTOR (see page 10-16 for details)	50	8866-2064	1	ELBOW, 90 DEGREES (includes item #51)
24	8471-7577	2	HOSE ASSY	51	8859-1204	1	O-RING
25	8859-1204	2	O-RING	52	9103-3096	Ref	INCHING VALVE (see pages 8-2 and 8-3 for details)
26	8866-2064	2	ELBOW, 90 DEGREES (includes item #25)	53	9060-1762	Ref	ORBITROL (see page 7-4 for details)
27	8859-1205	1	O-RING	54	8866-2006	1	CONNECTOR (includes item #27)



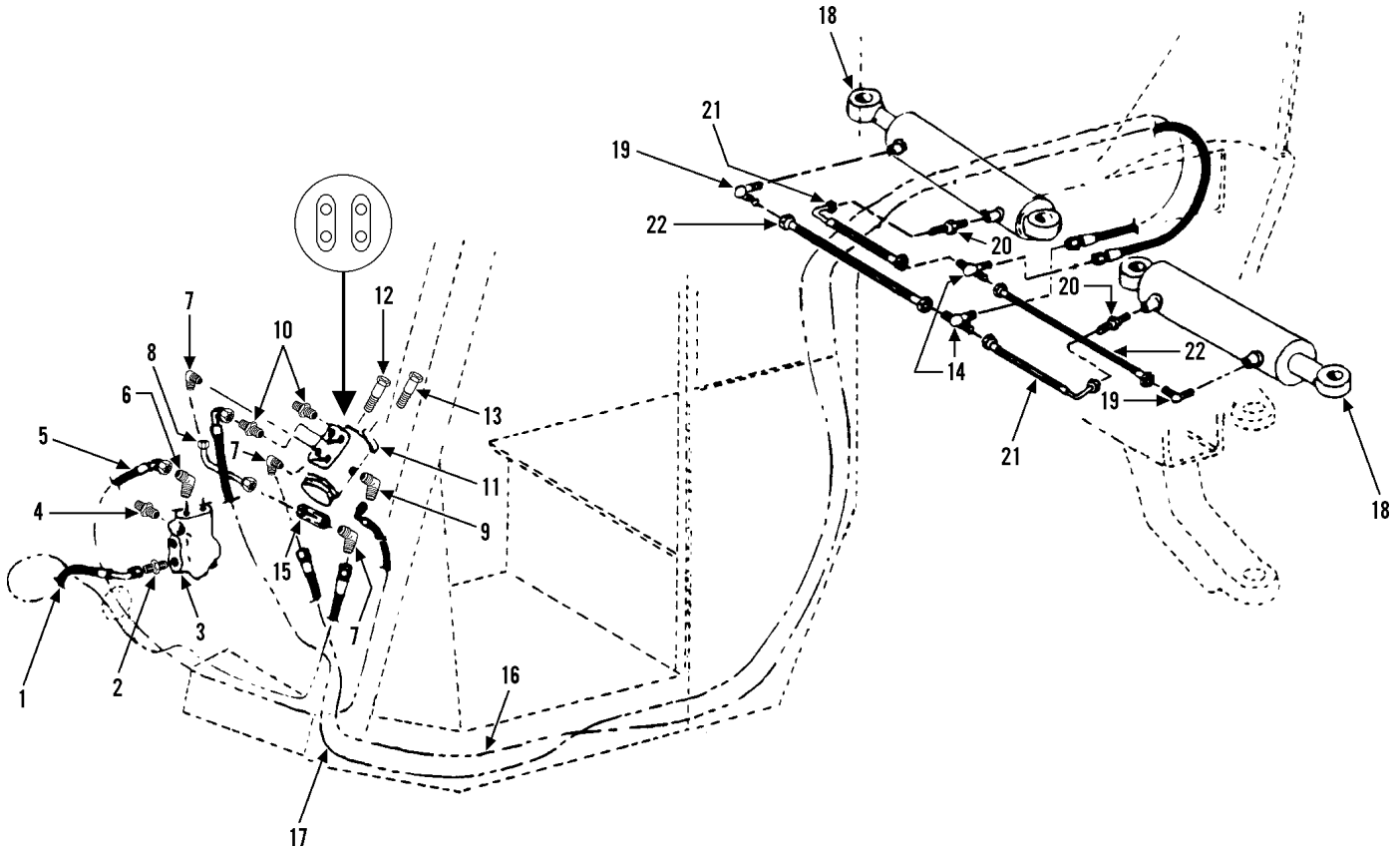
Item	Part No.	Qty.	Description Of Part	Item	Part No.	Qty.	Description Of Part
1	9103-6002	Ref	OIL RESERVOIR ASSY (see page 10-20 for details)	28	8820-1035	1	HEX HD CAPSCREW, 3/8-16 X 1, GR5
2	8471-7842	1	HOSE ASSY	29	9104-3147	2	SUPPORT CLAMP
3	8866-2225	1	SWIVEL NUT BRANCH TEE	30	8852-1006	1	HEX LOCKNUT, 3/8-16
4	9020-7599	1	HOSE ASSY	31	8471-7489	1	HOSE ASSY
5	8866-1245	1	MALE OUTLET TEE, 3/8 X 1/2 TUBE	32	9104-3145	1	DRAIN MANIFOLD
6	9020-6739	1	SOLENOID VALVE ASSY (see page 10-11 for details)	33	8866-2106	1	ELBOW, 90 DEGREES (swivel nut)
7	8471-7520	1	HOSE ASSY	34	8471-7518	1	HOSE ASSY
8	9020-5776	1	ADAPTER	35	8471-7521	1	HOSE ASSY
9	9002-8482	2	HOSE CLAMP	36	8820-1031	4	HEX HD CAPSCREW, 3/8-16 X 1/2, GR5
10	9020-7365	1	HOSE	37	8855-1011	4	LOCKWASHER, 3/8
11	9104-3144	1	TUBE ASSY	38	8856-1109	4	FLAT WASHER, 3/8
12	8866-1365	1	HEX CAP, 1/2 TUBE	39	9103-3050	1	OIL COOLER ASSY
13	7713-3447	1	HOSE ASSY	40	8452-1056	1	DRAIN VALVE
14	8866-2105	1	ELBOW, 90 DEGREES (swivel nut)	41	8692-3006	1	ADAPTER
15	8366-1316	1	CONNECTOR	42	8866-2107	1	ELBOW, 90 DEGREES (swivel nut)
16	9103-3240	Ref	PRIORITY FLOW CONTROL VALVE (see page 10-8 for details)	43	8866-2224	1	SWIVEL NUT RUN TEE
17	8471-7797	1	HOSE ASSY	44	8471-7466	1	HOSE ASSY
18	9020-5793	2	CLAMP ASSY	45	8866-2005	1	CONNECTOR (includes item #46)
19	8866-1364	2	HEX CAP, 3/8 TUBE	46	8859-1204	1	O-RING
20	8471-7900	1	HOSE ASSY	47	9103-3097	Ref	DIRECTIONAL CONTROL VALVE (see page 10-19 for details)
21	9104-5097	Ref	SERIES - PARALLEL VALVE (see page 10-10 for details)	48	8866-2239	1	SWIVEL NUT RUN TEE
22	7713-3167	1	HOSE ASSY	49	8471-7341	1	HOSE ASSY
23	9020-6748	Ref	REAR DRIVE MOTOR (see page 10-16 for details)	50	8866-2064	1	ELBOW, 90 DEGREES (includes item #51)
24	8471-7577	2	HOSE ASSY	51	8859-1204	1	O-RING
25	8859-1204	2	O-RING	52	9103-3096	Ref	INCHING VALVE (see pages 8-2 and 8-3 for details)
26	8866-2064	2	ELBOW, 90 DEGREES (includes item #25)	53	9060-1762	Ref	ORBITROL (see page 7-4 for details)
27	8859-1205	1	O-RING	54	8866-2006	1	CONNECTOR (includes item #27)



Item	Part No.	Qty.	Description Of Part	Item	Part No.	Qty.	Description Of Part
1		Ref	REAR DRIVE MOTOR ASSY (see page 10-16 for details)	31	8820-1070	1	HEX HD CAPSCREW, 1/2-13 X2-1/4, GR5
*2	9104-3113	1	TUBE ASSY	32	8856-1111	6	FLAT WASHER, 1/2
*3	9104-3116	1	TUBE ASSY	33	8820-1068	2	HEX HD CAPSCREW, 1/2-13 X1-3/4, GR5
4	9020-7290	4	HOSE ASSY	34	8859-1209	1	O-RING
5	9002-7187	AR	NYLON TY-RAP	35	8866-2010	1	CONNECTOR (includes item 34)
6	9104-3308	1	TUBE ASSY	36	8866-2110	1	ELBOW, 90 DEGREES (swivel nut)
7	9104-3309	1	TUBE ASSY	37	8850-1008	3	HEX NUT, 1/2-13
8	9020-2343	4	TUBE CLAMP	38		Ref	FORWARD-REVERSE VALVE (see page 10-9 for details)
9	8820-1033	4	HEX HD CAPSCREW, 3/8-16 X 3/4, GR5	39	9002-7906	2	ELBOW, 90 DEGREES (swivel nut)
10	8856-1109	4	FLAT WASHER, 3/8	40	8471-7464	1	HOSE ASSY
11		Ref	SERIES - PARALLEL VALVE (see page 10-10 for details)	41	7713-3342	1	HOSE ASSY
12	8471-7900	1	HOSE ASSY	42	8866-2105	1	ELBOW, 90 DEGREES (swivel nut)
13	9104-3312	1	TUBE ASSY	43	8366-1316	1	CONNECTOR
14	9104-3311	1	TUBE ASSY	44	8866-2003	2	CONNECTOR (includes item 45)
15	9104-3307	1	TUBE ASSY	45	8859-1202	2	O-RING
16	9104-3310	1	TUBE ASSY	46	8820-1005	4	HEX HD CAPSCREW, 1/4-20 X 1, GR5
*17	9104-3115	1	TUBE ASSY	47	8850-1004	4	HEX NUT, 1/4-20
18	9002-8225	4	O-RING	48	9103-1086	2	MOUNTING BRACKET
19	8471-1342	8	FLANGE HALF	49		Ref	DIRECTIONAL CONTROL VALVE (see page 10-19 for details)
20	8820-1067	16	HEX HD CAPSCREW, 1/2-13 X 1-1/2, GR5	50	9002-7485	1	HOSE ASSY
21	9020-7372	4	ADAPTER	51	8698-3191	2	TERMINAL, 1/4 SCREW SIZE
*22	9104-3114	1	TUBE ASSY	52	9002-8959	2	FEMALE TERMINAL
23	8867-1027	2	LUBE FITTING, 90 DEGREES, 1/8	53		AR	WIRE, 14 GA. BLACK, 40" LONG
24	8850-1008	8	HEX NUT, 1/2-13	54	9020-0482	1	TUBE CLAMP
25	9020-3506	8	FLAT WASHER, 1/2	55	8820-1036	1	HEX HD CAPSCREW, 3/8-16 X 1-1/4, GR5
26	9020-6750	2	HOLLOW STUD	56	8859-1204	2	O-RING
27	9020-2327	6	STUD	57	8866-2064	2	ELBOW, 90 DEGREES (includes item 56)
28	8568-1076	2	GASKET	58	8866-2119	2	ELBOW, 45 DEGREES (swivel nut)
29	8866-2069	1	ELBOW, 90 DEGREES (includes item 30)	59	8471-7577	2	HOSE ASSY
30	8859-1209	1	O-RING				

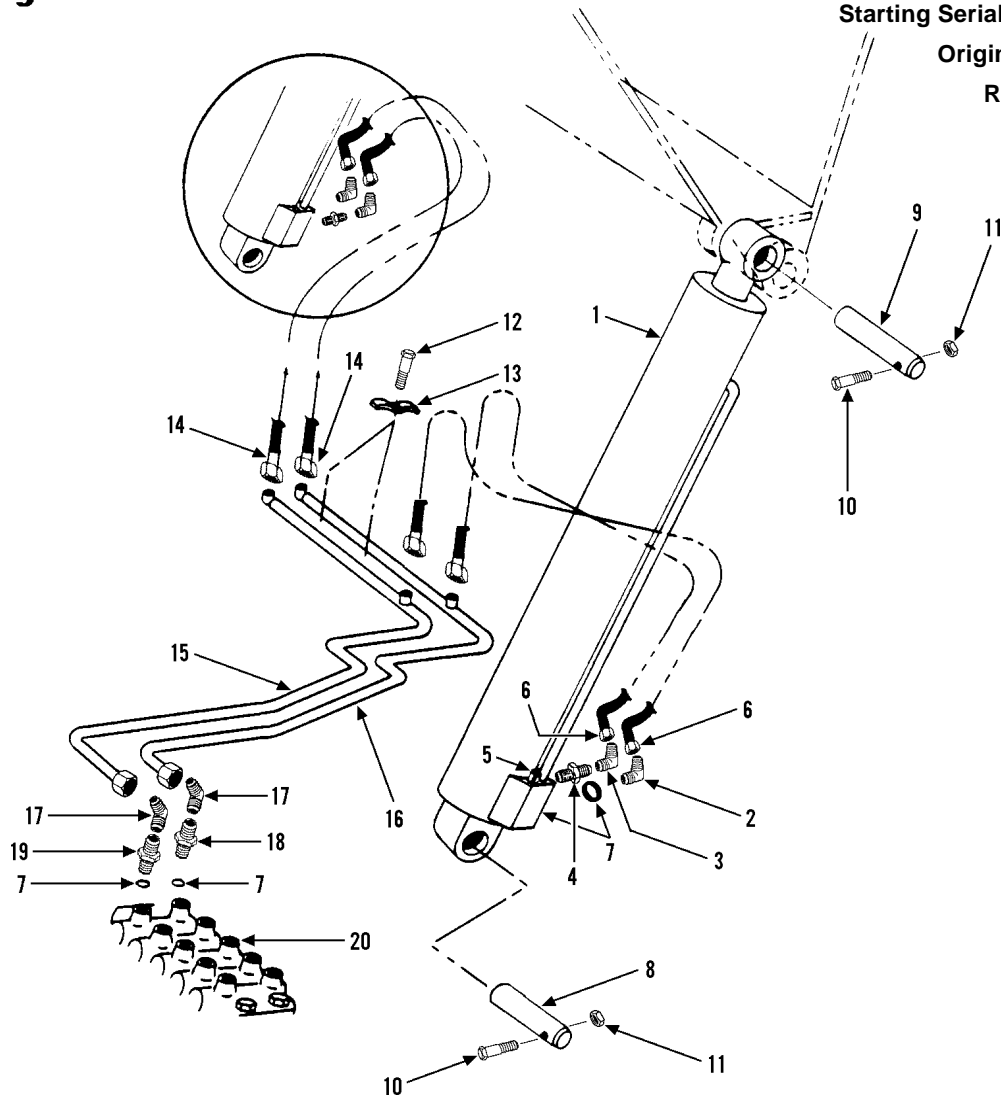


Item	Part No.	Qty.	Description Of Part	Item	Part No.	Qty.	Description Of Part
1		Ref	REAR DRIVE MOTOR ASSY (see page 10-16 for details)	30	8859-1209	1	O-RING
*2	9104-3113	1	TUBE ASSY	31	8820-1070	1	HEX HD CAPSCREW, 1/2-13 X2-1/4, GR5
*3	9104-3116	1	TUBE ASSY	32	8856-1111	6	FLAT WASHER, 1/2
4	9020-7290	4	HOSE ASSY	33	8820-1068	2	HEX HD CAPSCREW, 1/2-13 X1-3/4, GR5
5	9002-7187	AR	NYLON TY-RAP	34	8859-1209	1	O-RING
6	9104-3308	1	TUBE ASSY	35	8866-2010	1	CONNECTOR (includes item 34)
7	9104-3309	1	TUBE ASSY	36	8866-2110	1	ELBOW, 90 DEGREES (swivel nut)
8	9020-2343	4	TUBE CLAMP	37	8850-1008	3	HEX NUT, 1/2-13
9	8820-1033	4	HEX HD CAPSCREW, 3/8-16 X 3/4, GR5	38		Ref	FORWARD-REVERSE VALVE (see page 10-9 for details)
10	8856-1109	4	FLAT WASHER, 3/8	39	9002-7906	2	ELBOW, 90 DEGREES (swivel nut)
11		Ref	SERIES - PARALLEL VALVE (see page 10-10 for details)	40	8471-7464	1	HOSE ASSY
12	8471-7900	1	HOSE ASSY	41	7713-3342	1	HOSE ASSY
13	9104-3312	1	TUBE ASSY	42	8866-2105	1	ELBOW, 90 DEGREES (swivel nut)
14	9104-3311	1	TUBE ASSY	43	8366-1316	1	CONNECTOR
15	9104-3307	1	TUBE ASSY	44	8866-2003	2	CONNECTOR (includes item 45)
16	9104-3310	1	TUBE ASSY	45	8859-1202	2	O-RING
*17	9104-3115	1	TUBE ASSY	46	8820-1005	4	HEX HD CAPSCREW, 1/4-20 X 1, GR5
18	9002-8225	4	O-RING	47	8850-1004	4	HEX NUT, 1/4-20
19	8471-1342	8	FLANGE HALF	48	9103-1086	2	MOUNTING BRACKET
20	8820-1067	16	HEX HD CAPSCREW, 1/2-13 X 1-1/2, GR5	49		Ref	DIRECTIONAL CONTROL VALVE (see page 10-19 for details)
21	9020-7372	4	ADAPTER	50	9002-7485	1	HOSE ASSY
*22	9104-3114	1	TUBE ASSY	51	8698-3191	2	TERMINAL, 1/4 SCREW SIZE
23	9020-0482	1	TUBE CLAMP	52	9002-8959	2	FEMALE TERMINAL
24	8850-1008	8	HEX NUT, 1/2-13	53		AR	WIRE, 14 GA. BLACK, 40" LONG
25	9020-3506	8	FLAT WASHER, 1/2	54	8859-1204	2	O-RING
26	8820-1036	1	HEX HD CAPSCREW, 3/8-16 X 1-1/4, GR5	55	8866-2064	2	ELBOW, 90 DEGREES (includes item 54)
27	9103-3481	8	STUD	56	8866-2119	2	ELBOW, 45 DEGREES (swivel nut)
28	8568-1076	2	GASKET	57	8471-7577	2	HOSE ASSY
29	8866-2069	1	ELBOW, 90 DEGREES (includes item 30)				

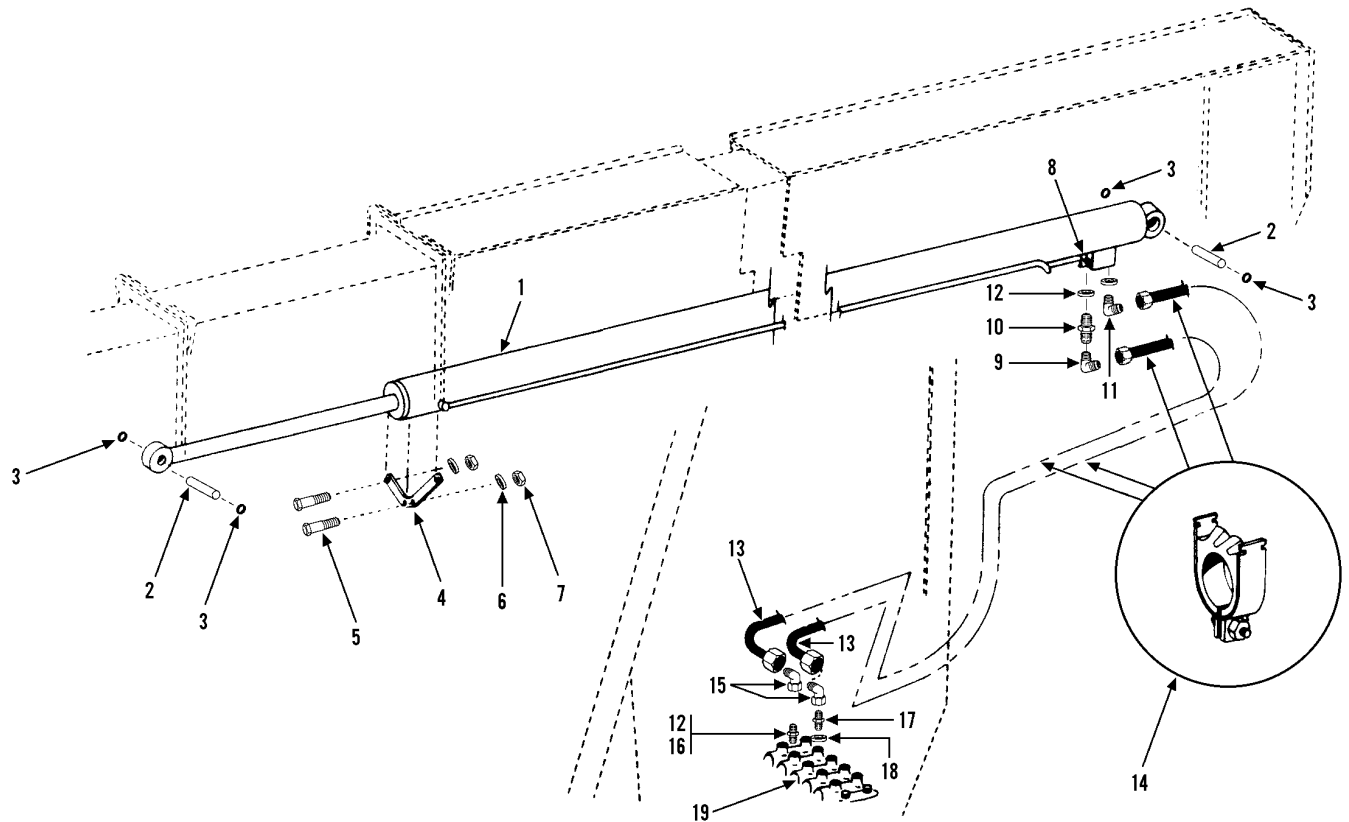


Item	Part No.	Qty.	Description Of Part
1	8471-7550	1	HIGH PRESSURE HOSE
2	8866-2007	1	CONNECTOR (includes O-ring)
	8859-1206	1	O-RING
3	9103-3240	1	LOAD SENSING FLOW CONTROL VALVE (see page 10-8 for details)
4	8820-1028	2	HEX HD CAPSCREW, 5/16-18 X 3, GR5
5	8471-7547	1	HIGH PRESSURE HOSE
6	8366-1316	1	CONNECTOR
7	8866-2065	3	ELBOW, 90 DEGREES (includes O-ring)
	8859-1205	3	O-RING
8	9020-6003	1	TUBE ASSY
9	9002-8499	2	ELBOW, 90 DEGREES (straight)
10	8866-2006	2	CONNECTOR (includes O-ring)
11	9020-6762	1	STEERING ORBITROL

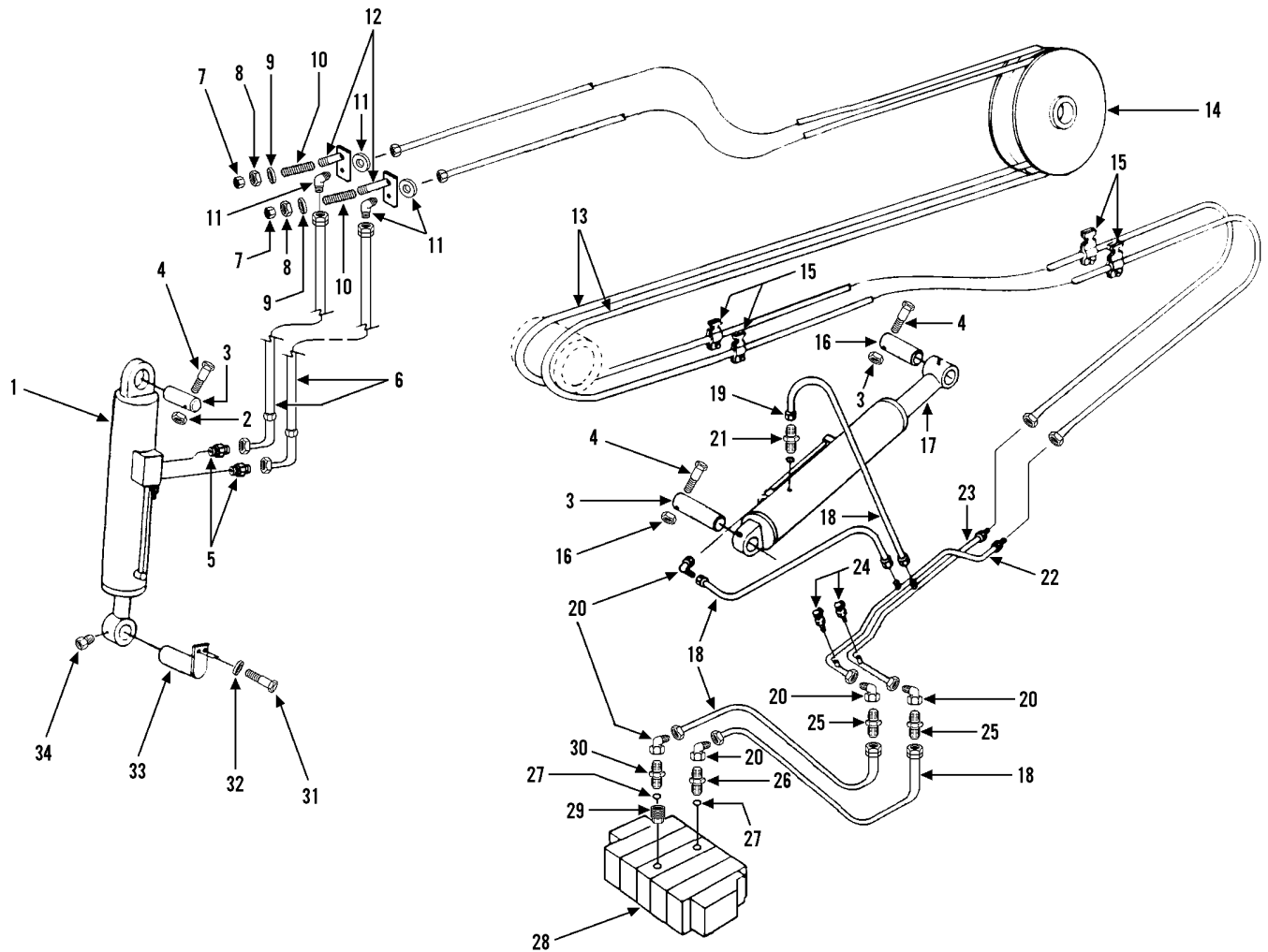
Item	Part No.	Qty.	Description Of Part
12	8820-1033	2	HEX HD CAPSCREW, 3/8-16 X 3/4, GR5 (column to orbitrol)
13	8820-1037	2	HEX HD CAPSCREW, 3/8-16 X 1-1/2, GR5 (orbitrol to instrument panel)
14	9002-7913	2	STRAIGHT TEE
15	9020-2926	1	CHECK VALVE
16	8471-7882	1	HIGH PRESSURE HOSE
17	8471-7548	1	HIGH PRESSURE HOSE
18	9104-3316	2	STEERING CYLINDER (see page 10-6 for details)
19	7713-1088	2	ELBOW, 90 DEGREES (adjustable)
20	8866-2035	2	CONNECTOR (includes O-ring)
	8859-1204	2	O-RING
21	8471-7546	1	HIGH PRESSURE HOSE
22	8471-7553	1	HIGH PRESSURE HOSE



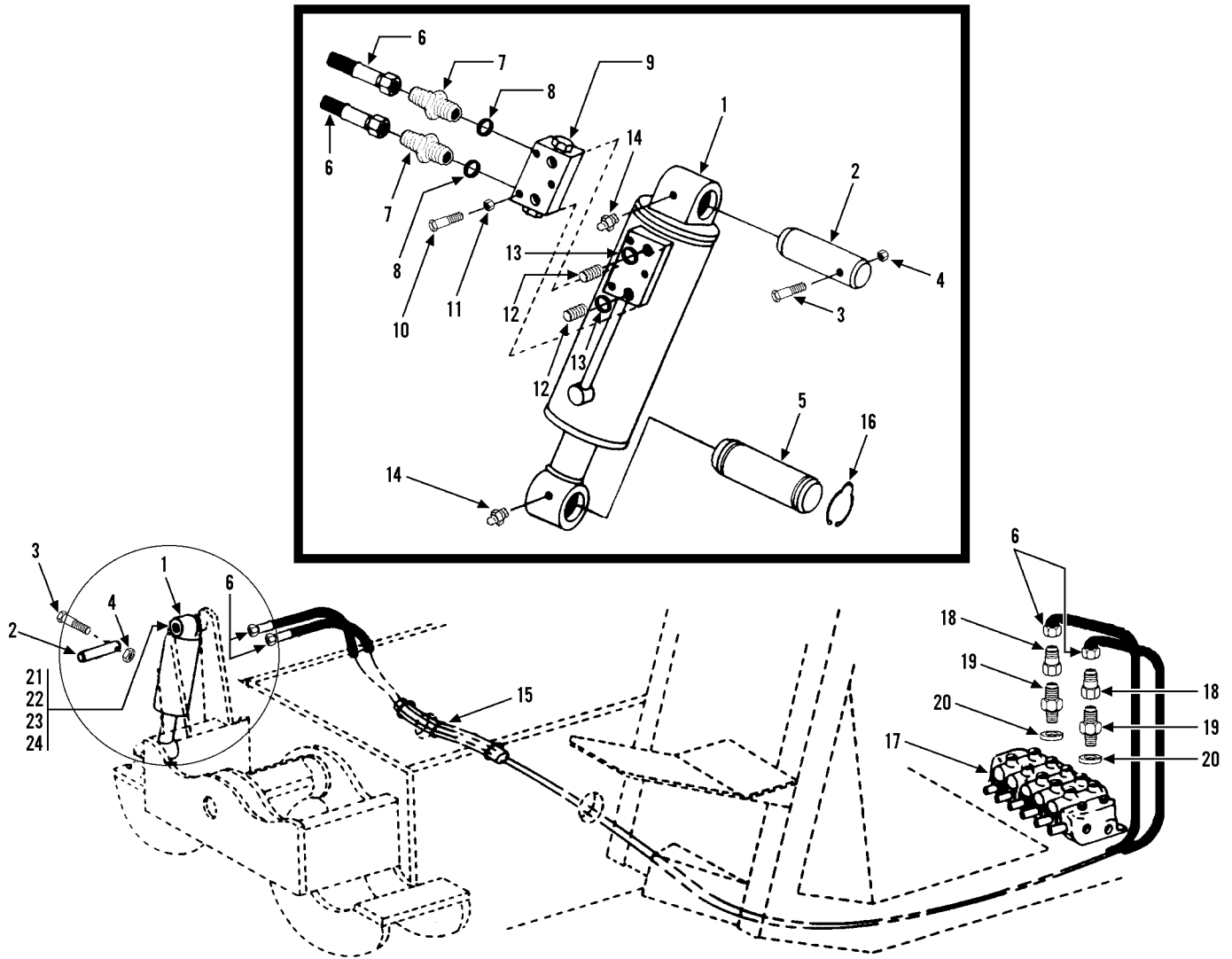
Item	Part No.	Qty.	Description Of Part
1		Ref	LIFT CYLINDER ASSY (see page 10-1 for details)
2	8682-1248	2	ELBOW, 90 DEGREES (includes item #7)
3	8866-2107	2	ELBOW, 90 DEGREES (swivel nut)
4	8866-2022	2	CONNECTOR (includes item #7)
5	9103-4308	1	COUNTERBALANCE VALVE
6	8471-7799	2	HOSE ASSY
7	8859-1207	6	O-RING
8	9040-2875	1	PIN
9	9020-6892	1	PIN
10	8320-1044	4	HEX HD CAPSCREW, 5/8-11 X 4, GR8
11	8850-1010	4	HEX NUT, 5/8-11
12	8820-1035	4	HEX HD CAPSCREW, 3/8-16 X 1, GR5
13	9020-0483	2	TUBE CLAMP
14	8471-6448	2	HOSE ASSY
15	9104-3096	1	TUBE ASSY
16	9104-3095	1	TUBE ASSY
17	8866-2108	2	ELBOW, 90 DEGREES (swivel nut)
18	8866-2008	1	CONNECTOR (includes item #7)
19	8866-2038	1	CONNECTOR (includes item #7)
20		Ref	MAIN CONTROL VALVE ASSY (see page 10-7 for details)



Item	Part No.	Qty.	Description Of Part
1		Ref	CROWD CYLINDER ASSY (see page 10-2 for details)
2	9020-7352	2	PIN
3	9002-8935	4	RETAINING RING
4	9040-3212	1	CROWD CYLINDER SUPPORT
5	8820-1008	2	HEX HD CAPSCREW, 1/4-20 X 1-3/4, GR5
6	8856-1107	2	FLAT WASHER, 1/4
7	8850-1004	2	HEX NUT, 1/4-20
8	9103-4308	1	COUNTERBALANCE VALVE (includes O-ring)
9	8866-2108	1	ELBOW, 90 DEGREES (swivel nut)
10	8866-2008	1	CONNECTOR (includes item #12)
11	8866-2067	1	ELBOW, 90 DEGREES (includes item #12)
12	8859-1207	3	O-RING
13	8471-7608	2	HOSE ASSY
14	9020-5792	4	HOSE CLAMP
15	8866-2108	2	ELBOW, 90 DEGREES (swivel nut)
16	8866-2038	1	CONNECTOR (includes item #12)
17	8866-2025	1	CONNECTOR (includes item #18)
18	8859-1209	1	O-RING
19		Ref	MAIN CONTROL VALVE ASSY (see page 10-7 for details)

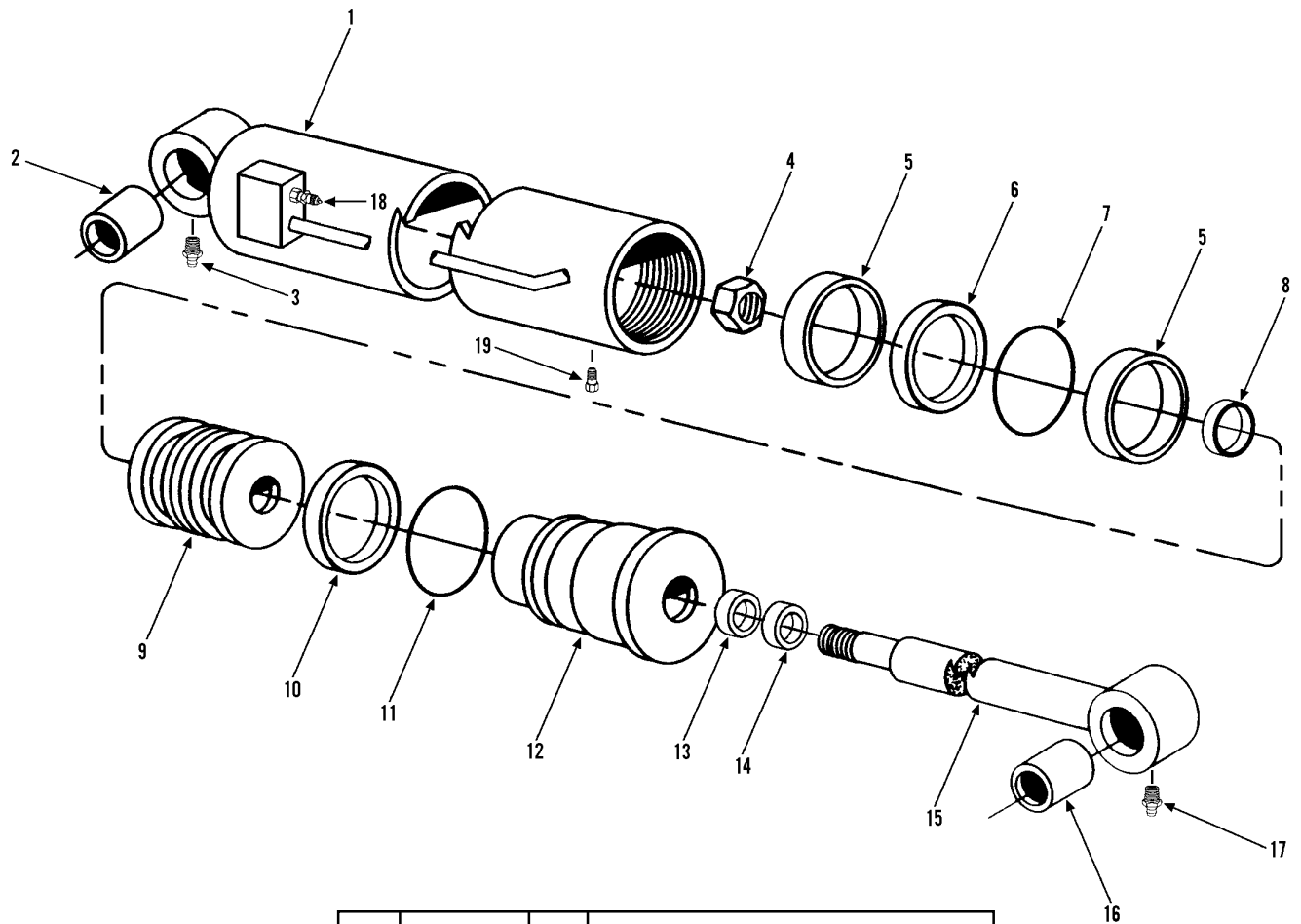


Item	Part No.	Qty.	Description Of Part	Item	Part No.	Qty.	Description Of Part
1	9103-3369	Ref	TILT CYLINDER ASSY (see page 10-3 for details)	18	9002-2043	4	HOSE ASSY
2	8852-1010	1	HEX LOCKNUT, 5/8-11	19	8866-2021	1	CONNECTOR (includes item #21)
3	9020-6892	3	PIN	20	8866-2107	5	ELBOW, 90 DEGREES (swivel nut)
4	8320-1044	3	HEX HD CAPSCREW, 5/8-11 X 4, GR8	21	8859-1205	1	O-RING
5	8866-2020	2	CONNECTOR (includes O-ring)	22	9020-7386	1	TUBE ASSY
	8859-1207	2	O-RING	23	9104-3195	1	TUBE ASSY
6	8471-7922	2	HOSE ASSY	24	9103-3032	2	CHECK COUPLING
7	8850-1108	2	HEAVY HEX JAM NUT, 1/2-13	25	9002-9939	2	BULKHEAD ADAPTER (with nut)
8	8850-1008	2	HEX NUT, 1/2-13	26	8866-2022	1	CONNECTOR (includes item #27)
9	9020-7041	2	SPRING RETAINER	27	8859-1207	2	O-RING
10	9020-0313	2	SPRING	28	9103-3296	Ref	MAIN CONTROL VALVE ASSY (see page 10-7 for details)
11	9002-7180	2	BULKHEAD FITTING	29	8692-3006	1	REDUCER FITTING
12	9040-3249	2	HOSE TAKE-UP WELDMENT	30	8866-2008	1	CONNECTOR (includes item #27)
13	9020-6888	2	HOSE ASSY	31	8820-1065	2	HEX HD CAPSCREW, 1/2-13 X 1, GR5
14	9104-3100	1	SHEAVE	32	8855-1013	2	LOCKWASHER, 1/2
15	9020-7463	5	HOSE CLAMP	33	9020-7046	1	PIN WELDMENT
16	8850-1010	2	HEX NUT, 5/8-11	34	8867-1033	4	LUBE FITTING, STRAIGHT, 1/4-28
17	9104-3304	Ref	COMPENSATING CYLINDER ASSY (see page 10-4 for details)				

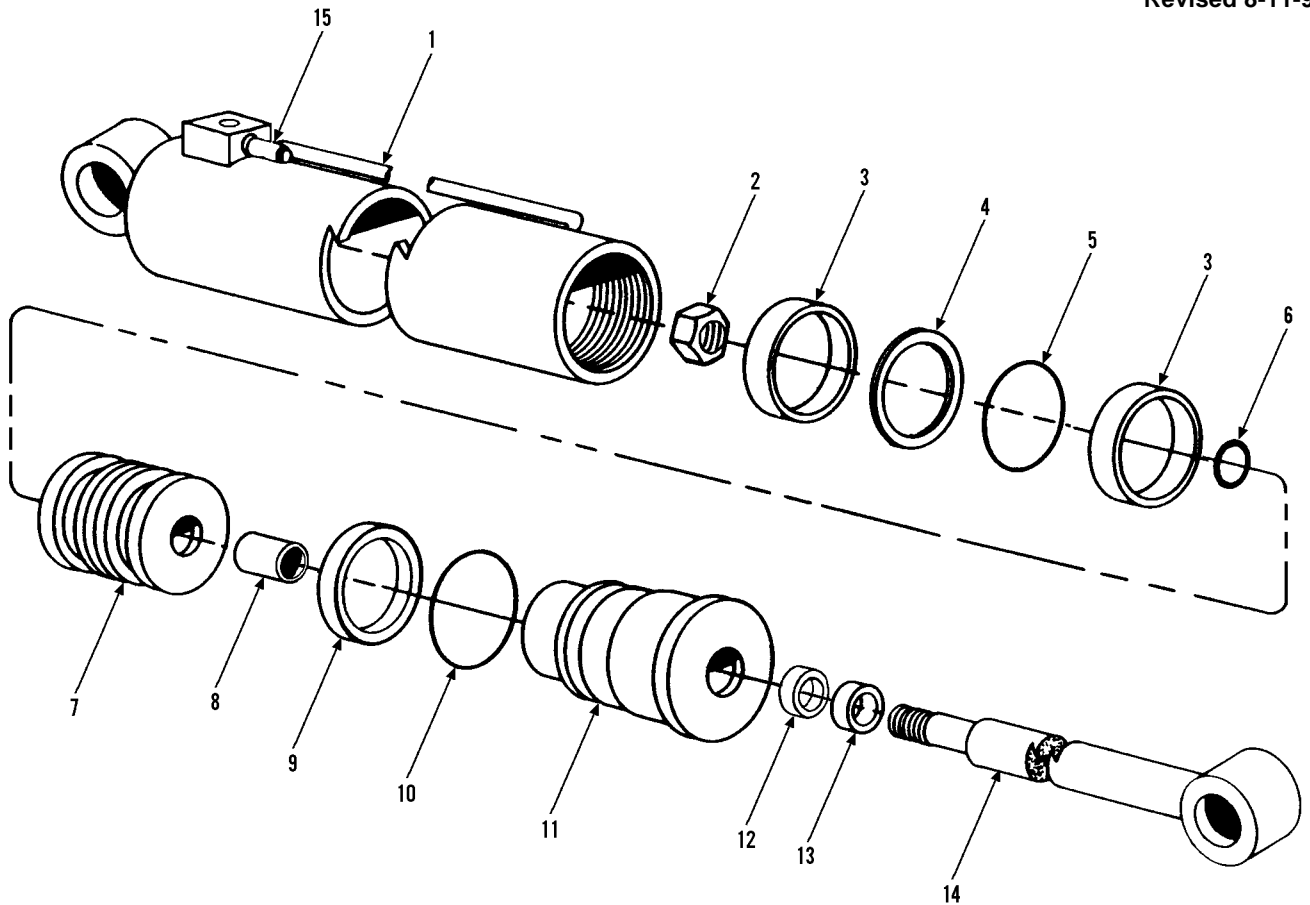


Item	Part No.	Qty.	Description Of Part
1		Ref	SWAY CYLINDER ASSY (see page 10-5 for details)
2	9040-2876	1	PIN
3	8320-1044	1	HEX HD CAPSCREW, 5/8-11 X 4, GR8
4	8850-1010	1	HEX NUT, 5/8-11
* 5	9020-7352	1	PIN
6	9103-3224	1	HOSE ASSY
7	8866-2006	2	CONNECTOR (includes item #8)
8	8859-1205	2	O-RING
9		1	DUAL P.O. CHECK VALVE ASSY (see page 10-12 for details)
10	8820-1041	3	HEX HD CAPSCREW, 3/8-16 X 2-1/2, GR5
11	8855-1011	3	LOCKWASHER, 3/8

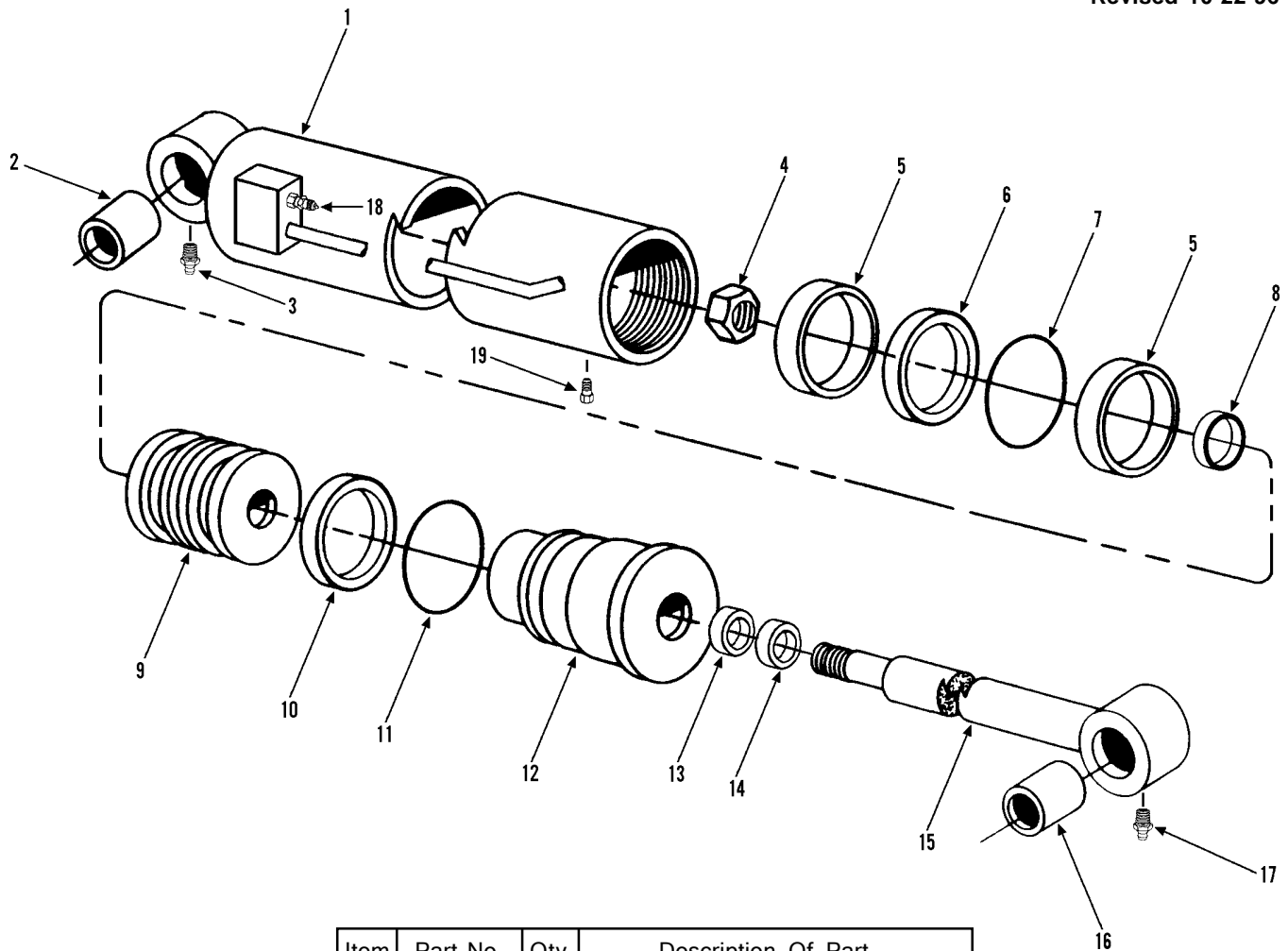
Item	Part No.	Qty.	Description Of Part
12	9104-1387	2	ORIFICE PLUG
13	8859-1012	2	O-RING
14	8867-1033	2	LUBE FITTING, STRAIGHT, 1/4-28
15	9103-3043	1	HOSE
16	9002-8935	2	RETAINING RING
17		Ref	MAIN CONTROL VALVE ASSY (see page 10-7 for details)
18	8365-1133	2	REDUCER
19	8866-2008	2	CONNECTOR (includes item #20)
20	8859-1207	2	O-RING
21	9020-7730	AR	SHIM (1/4" thick)
22	9020-7729	AR	SHIM (10 gauge)
23	9020-7728	AR	SHIM (16 gauge)
24	9020-7727	AR	SHIM (20 gauge)



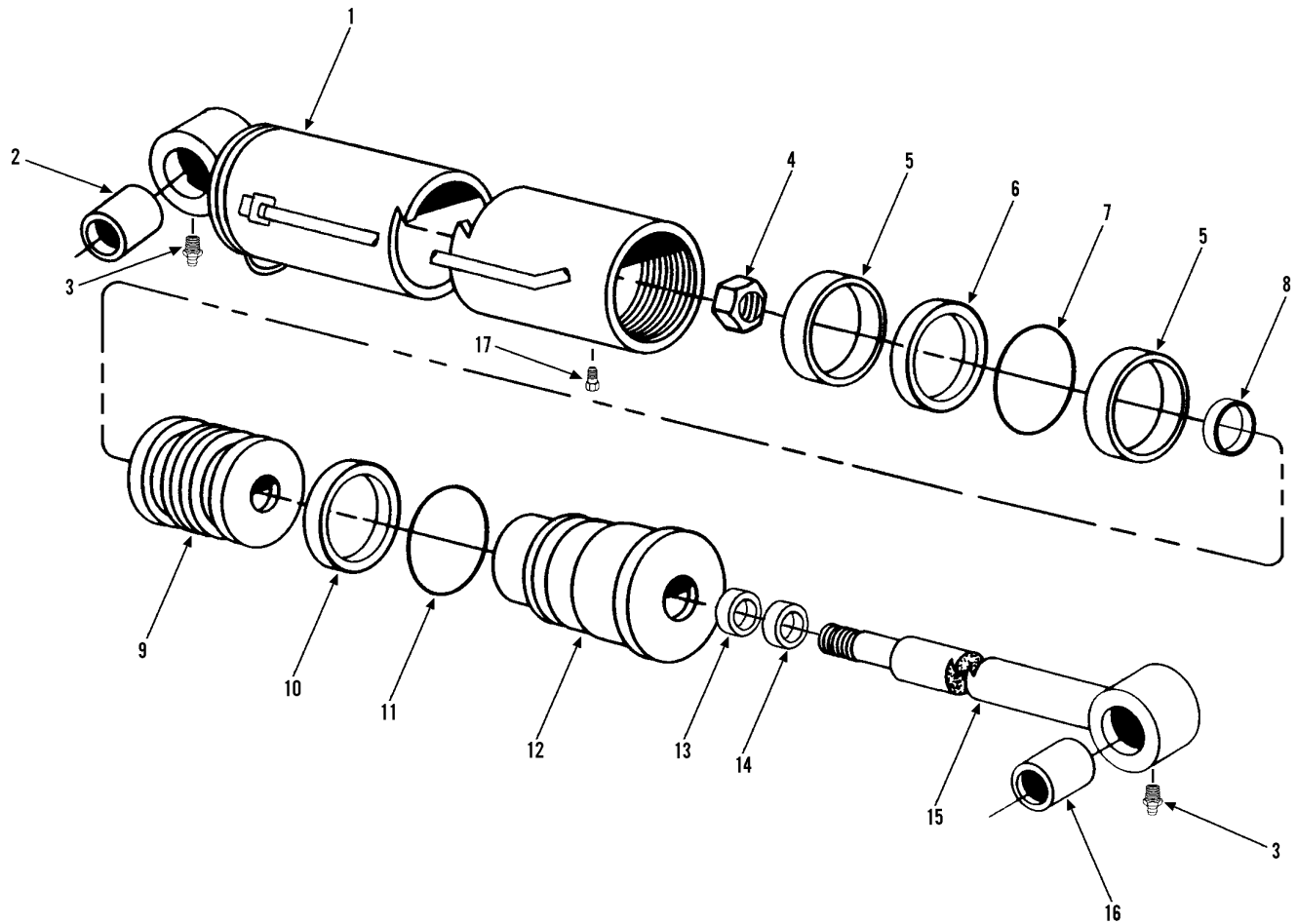
Item	Part No.	Qty.	Description Of Part
	9103-3371	2	LIFT CYLINDER ASSY (includes all items)
	9103-4278	AR	SEAL KIT (includes items 5, 6, 7, 8, 10, 11, 13, 14)
1	9103-4279	1	TUBE ASSY (includes item #2)
2	9108-4176	1	BUSHING
3	8867-1027	1	LUBE FITTING, 90 DEGREES, 1/4-28
4	9103-4280	1	LOCKNUT (torque to 1100 ft. lbs.)
5		2	WEAR RING
6		1	SEAL
7		1	O-RING
8		1	O-RING
9	9103-4281	1	PISTON
10		1	BACKUP RING
11		1	O-RING
12	9103-4282	1	GLAND
13		1	SEAL
14		1	WIPER
15	9103-4283	1	ROD ASSY (includes item #16)
16	9104-4370	1	BUSHING
17	8867-1033	1	LUBE FITTING, STRAIGHT, 1/4-28
18	9103-3430	1	COUNTERBALANCE VALVE
19	9103-4332	1	SET SCREW
			NOTE: ONLY ITEMS WITH PART NUMBERS ARE AVAILABLE FOR SERVICE.



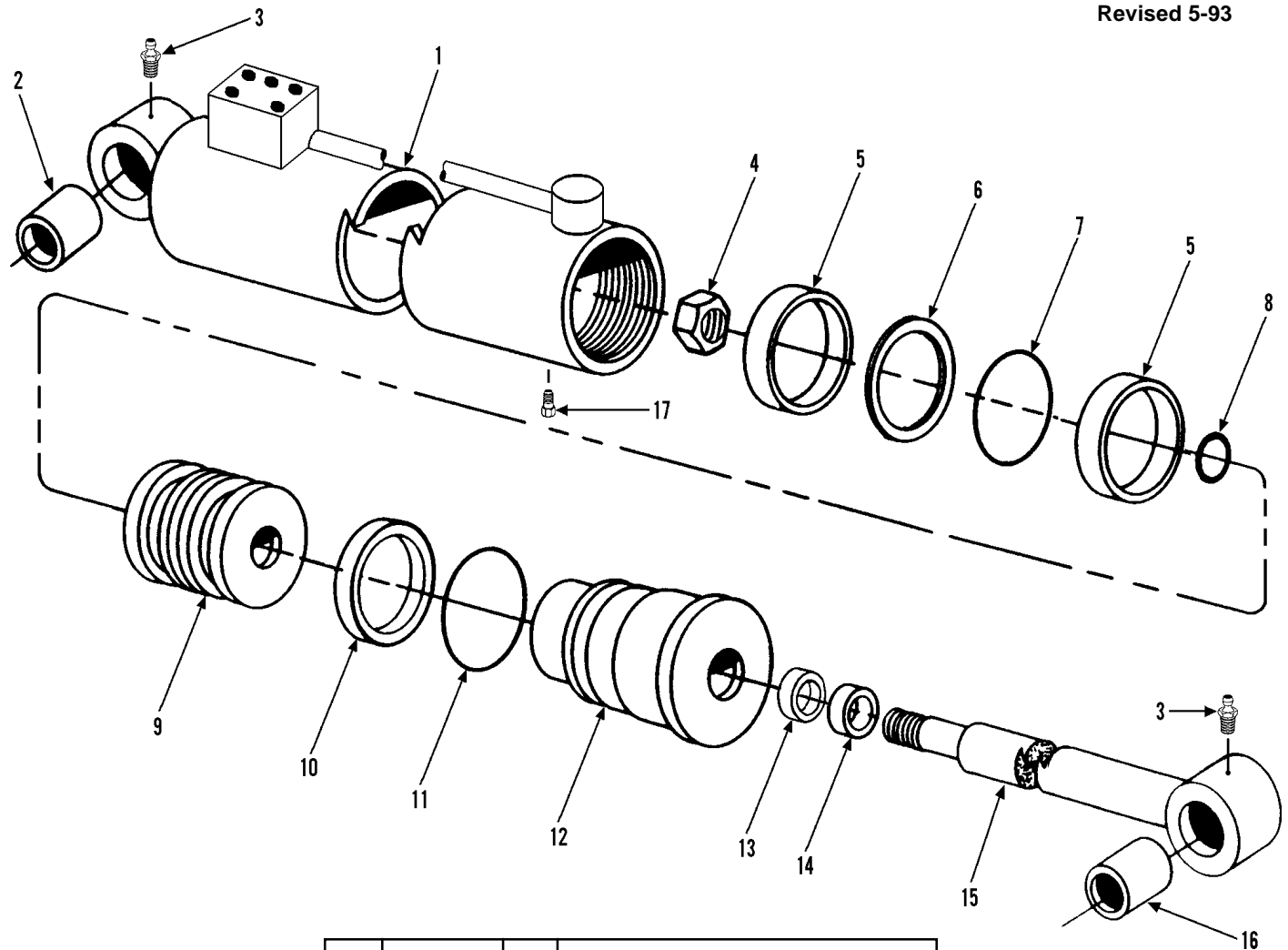
Item	Part No.	Qty.	Description Of Part
	9103-3368	1	CROWD CYLINDER ASSY (includes all items)
	9103-4290	AR	SEAL KIT (includes items 3, 4, 5, 6, 9, 10, 12 & 13)
1		1	TUBE ASSY
2	9103-4286	1	LOCKNUT (torque to 590 ft. lbs.)
3		2	WEAR RING
4		1	SEAL
5		1	O-RING
6		1	O-RING
7	9103-4291	1	PISTON
8	9103-4292	1	STOP TUBE
9		1	BACKUP RING
10		1	O-RING
11	9103-4293	1	GLAND
12		1	SEAL
13		1	WIPER
14	9103-4294	1	ROD ASSY
*15	9103-4308	1	COUNTERBALANCE VALVE
*	9104-4524	1	COUNTERBALANCE VALVE SEAL KIT
			NOTE: ONLY ITEMS WITH PART NUMBERS ARE AVAILABLE FOR SERVICE.



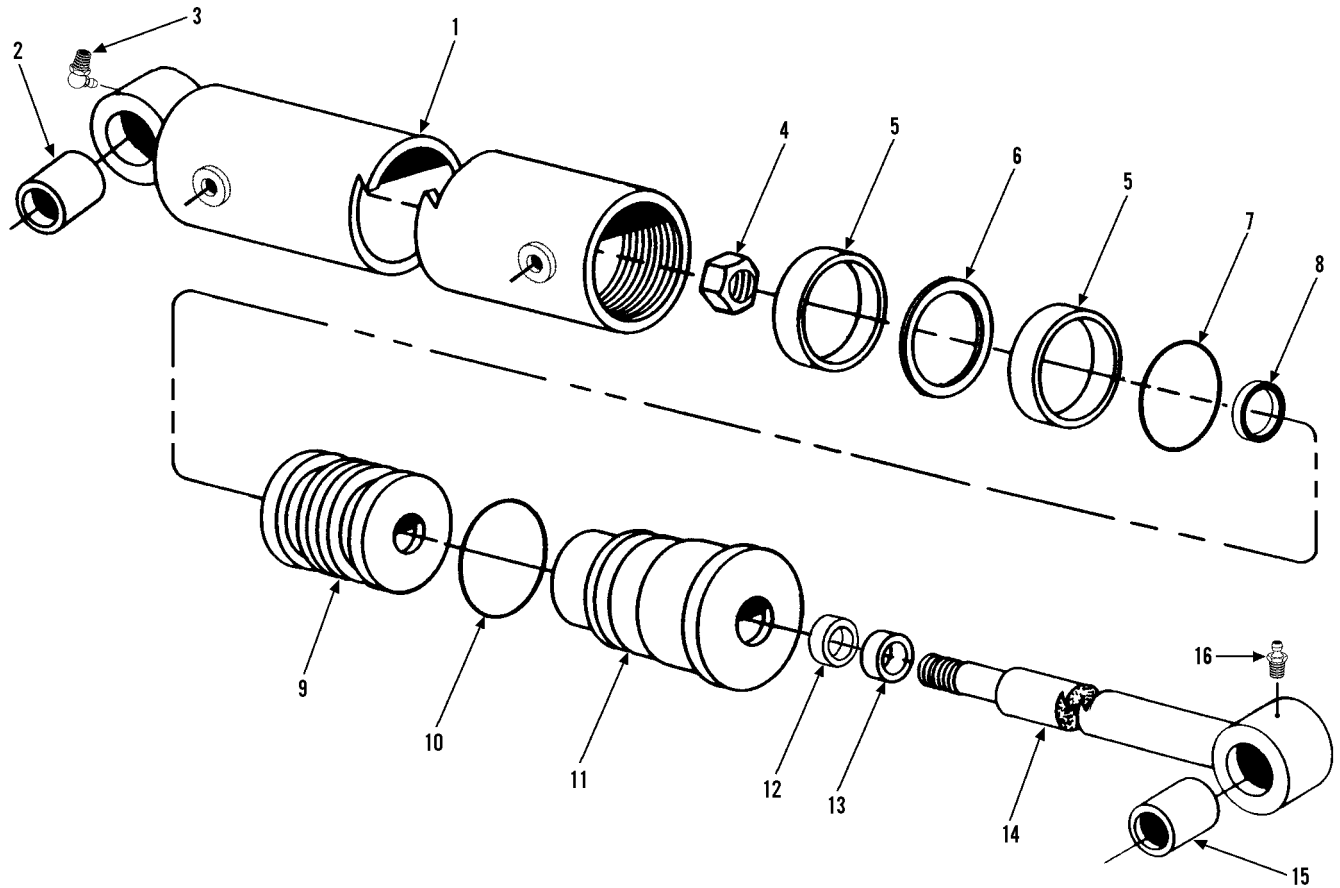
Item	Part No.	Qty.	Description Of Part
	9103-3369	1	TILT CYLINDER ASSY (includes all items)
	9103-4278	AR	SEAL KIT (includes items 5, 6, 7, 8, 10, 11, 13 & 14)
1	9103-4295	1	TUBE ASSY (includes item #2)
2	9108-4176	1	BUSHING
3	8867-1027	1	LUBE FITTING, 90 DEGREES, 1/4-28
4	9103-4280	1	LOCKNUT (torque to 1100 ft. lbs.)
5		2	WEAR RING
6		1	SEAL
7		1	O-RING
8		1	O-RING
9	9103-4281	1	PISTON
10		1	BACK-UP RING
11		1	O-RING
12	9103-4282	1	GLAND
13		1	SEAL
14		1	WIPER
*15	9103-4296	1	ROD ASSY (includes item #16)
16	9108-4176	1	BUSHING
17	8867-1033	1	LUBE FITTING, STRAIGHT, 1/4-28
18	9103-3430	1	COUNTERBALANCE VALVE
19	9103-4332	1	SET SCREW
			NOTE: ONLY ITEMS WITH PART NUMBERS ARE AVAILABLE FOR SERVICE.



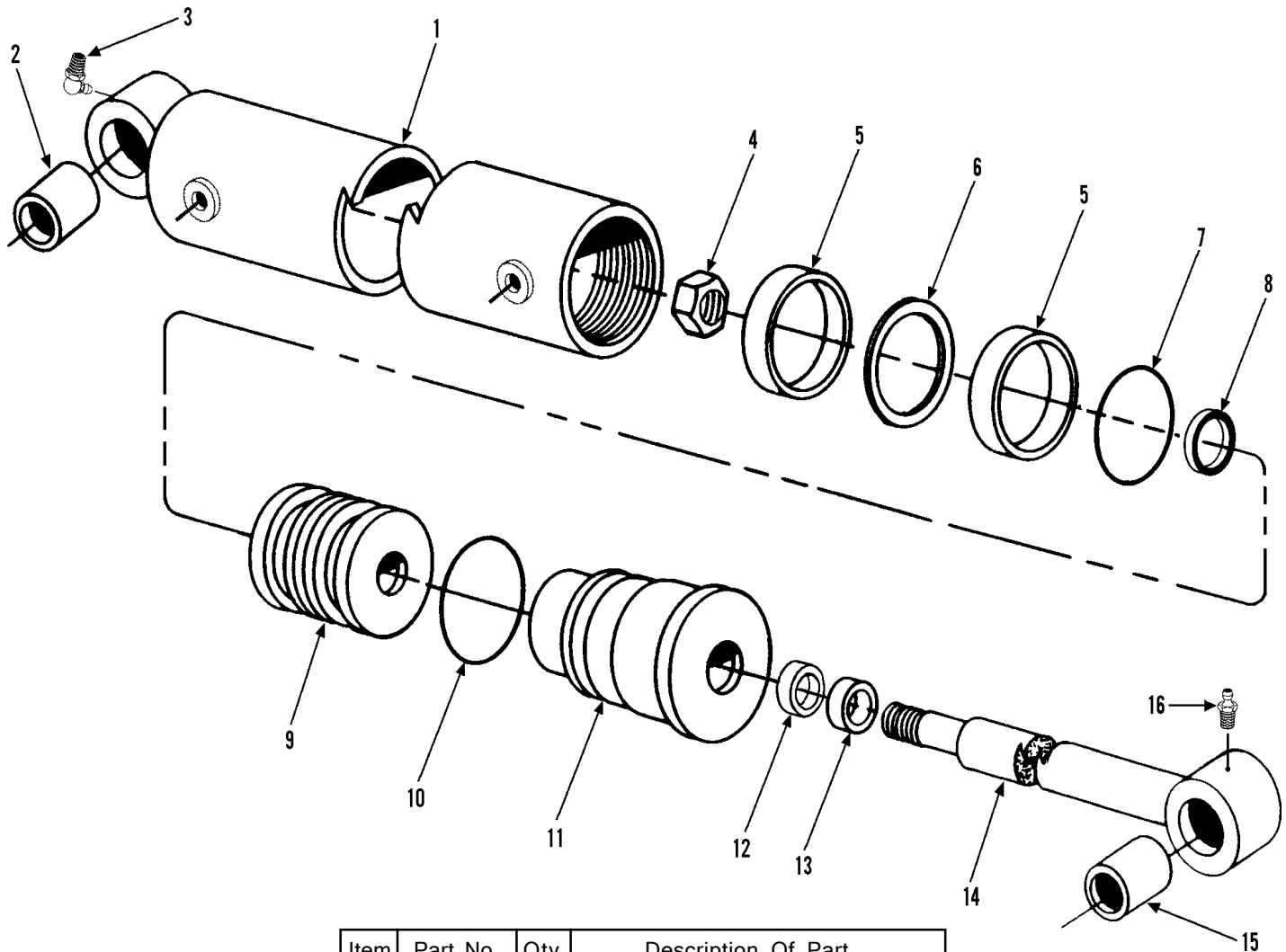
Item	Part No.	Qty.	Description Of Part
	9103-3304	1	COMPENSATING CYLINDER ASSY (includes all items)
	9103-4278	AR	SEAL KIT (includes items 5, 6, 7, 8, 10, 11, 13, 14)
1	9104-4313	1	TUBE ASSY (includes item #2)
2	9108-4176	1	BUSHING
3	8867-1033	2	LUBE FITTING, STRAIGHT, 1/4-28
4	9103-4280	1	LOCKNUT (torque to 1100 ft. lbs.)
5		2	WEAR RING
6		1	SEAL
7		1	O-RING
8		1	O-RING
9	9103-4281	1	PISTON
10		1	BACKUP RING
11		1	O-RING
12	9103-4314	1	GLAND
13		1	SEAL
14		1	WIPER
15	9104-4315	1	ROD ASSY (includes item #16)
16	9108-4176	1	BUSHING
17	9103-4332	1	SET SCREW
			NOTE: ONLY ITEMS WITH PART NUMBERS ARE AVAILABLE FOR SERVICE.



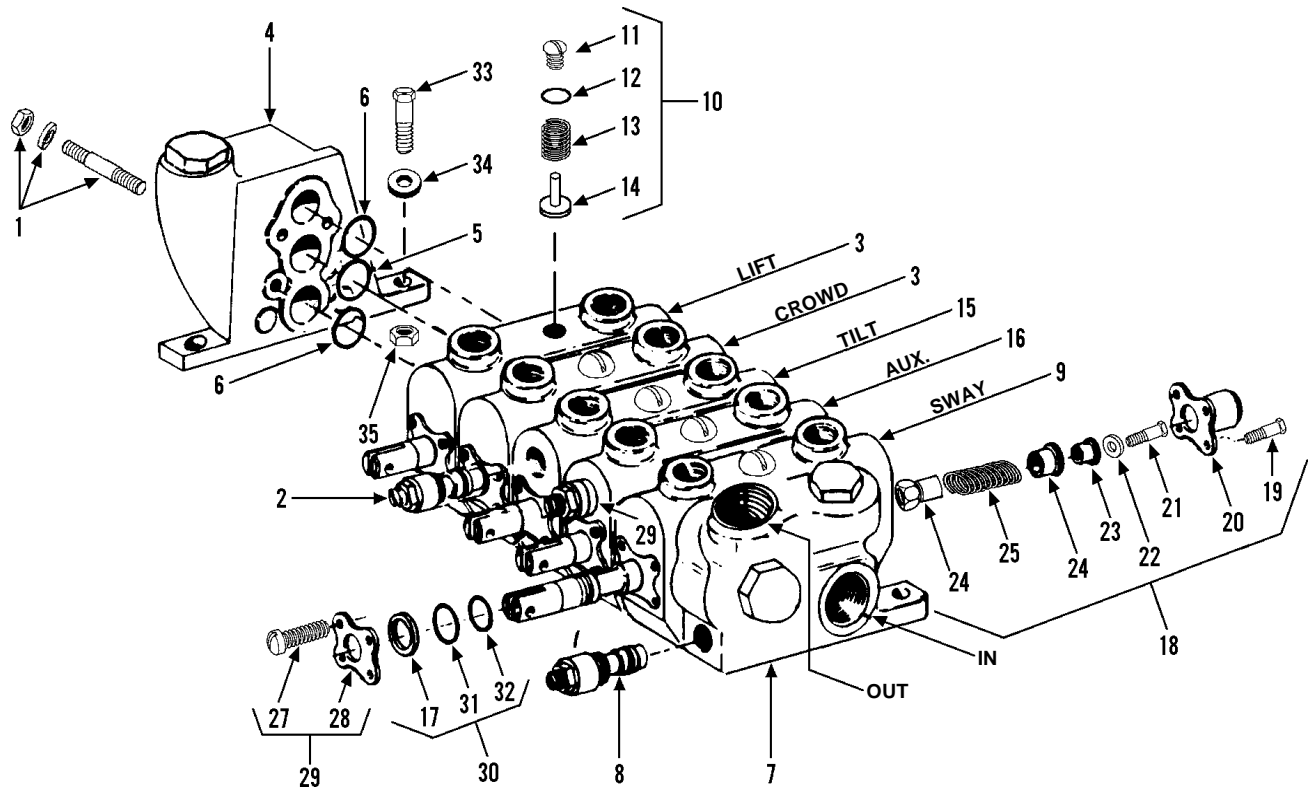
Item	Part No.	Qty.	Description Of Part
	9103-3367	1	SWAY CYLINDER ASSY (includes all items)
	9103-4297	AR	SEAL KIT (includes items 5, 6, 7, 8, 10, 11, 13, 14)
1	9103-4298	1	TUBE ASSY (includes item #2)
2	9108-4176	1	BUSHING
3	8867-1033	2	LUBE FITTING, STRAIGHT, 1/4-28
4	9103-4286	1	LOCKNUT (torque to 590 ft. lbs.)
5		2	WEAR RING
6		1	SEAL
7		1	O-RING
8		1	O-RING
9	9103-4291	1	PISTON
10		1	BACKUP RING
11		1	O-RING
12	9103-4299	1	GLAND
13		1	SEAL
14		1	WIPER
15	9104-4300	1	ROD ASSY (includes item #16)
16	9108-4176	1	BUSHING
17	9103-4332	1	SET SCREW
			NOTE: ONLY ITEMS WITH PART NUMBERS ARE AVAILABLE FOR SERVICE.



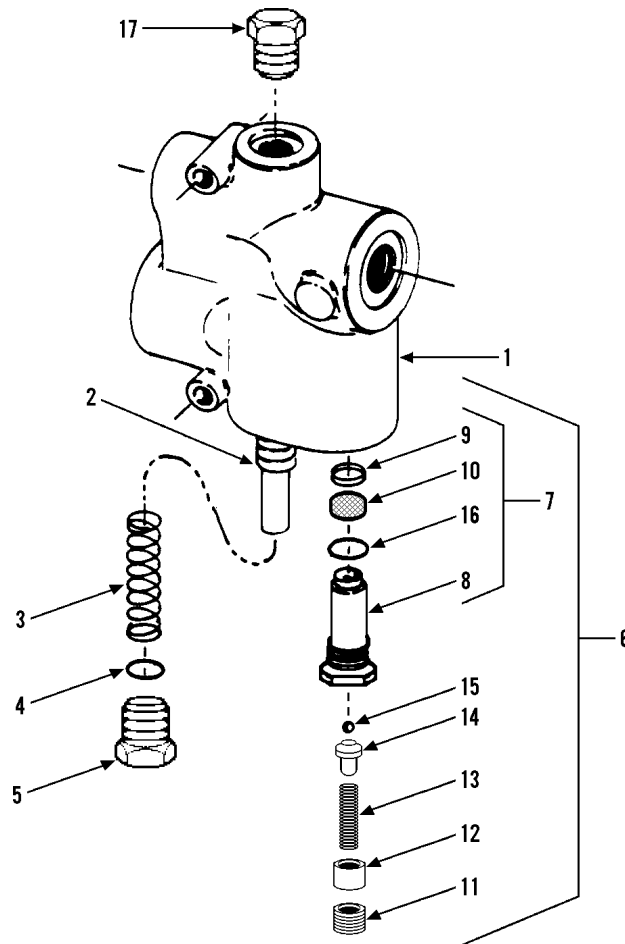
Item	Part No.	Qty.	Description Of Part
	9104-3316	2	STEERING CYLINDER ASSY (includes all items)
	9103-4301	AR	SEAL KIT (includes items 5, 6, 7, 8, 10, 12, 13)
1	9103-4302	1	TUBE ASSY
2	9108-4194	1	BUSHING
3	8867-1022	1	LUBE FITTING, 90 DEGREES
4	9103-4303	1	LOCKNUT (torque to 235 ft. lbs.)
5		2	WEAR RING
6		1	SEAL
7		1	O-RING
8		1	O-RING
9	9103-4304	1	PISTON
10		1	O-RING
11	9103-4305	1	GLAND
12		1	SEAL
13		1	WIPER
14	9104-4368	1	ROD ASSY (includes item #15)
15	9104-3246	1	BUSHING
16	8867-1001	1	LUBE FITTING, STRAIGHT
			NOTE: ONLY ITEMS WITH PART NUMBERS ARE AVAILABLE FOR SERVICE.



Item	Part No.	Qty.	Description Of Part
*	9103-3478	2	STEERING CYLINDER ASSY (includes all items)
	9103-4301	AR	SEAL KIT (includes items 5, 6, 7, 8, 10, 12, 13)
1		1	TUBE ASSY
2	9108-4194	1	BUSHING
3	8867-1022	1	LUBE FITTING, 90 DEGREES
4	9103-4303	1	LOCKNUT (torque to 235 ft. lbs.)
5		2	WEAR RING
6		1	SEAL
7		1	O-RING
8		1	O-RING
9	9103-4304	1	PISTON
10		1	O-RING
11	9103-4305	1	GLAND
12		1	SEAL
13		1	WIPER
14	9104-4368	1	ROD ASSY (includes item #15)
15	9104-3246	1	BUSHING
16	8867-1001	1	LUBE FITTING, STRAIGHT
			NOTE: ONLY ITEMS WITH PART NUMBERS ARE AVAILABLE FOR SERVICE.

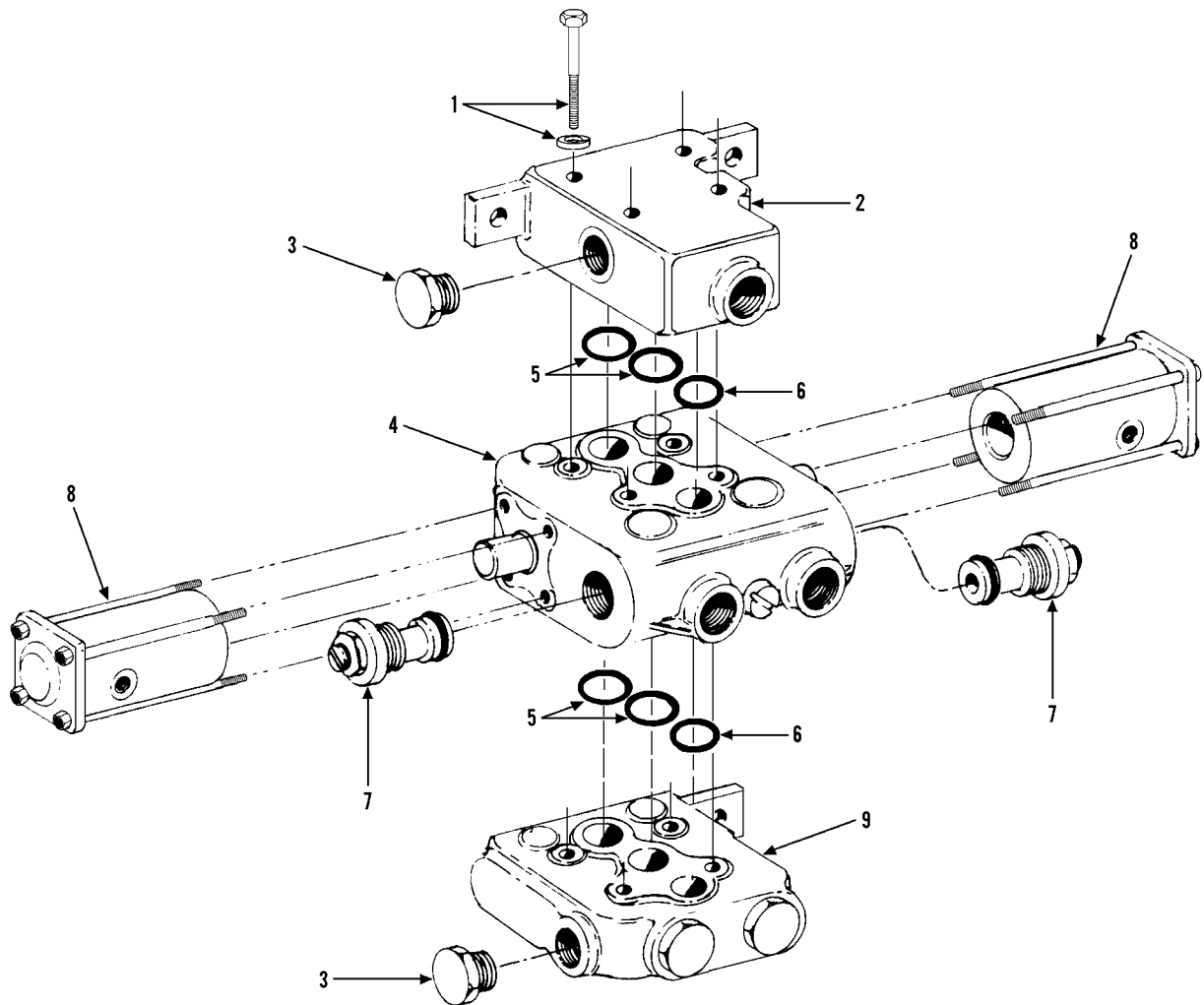


Item	Part No.	Qty.	Description Of Part	Item	Part No.	Qty.	Description Of Part
	9103-3296	1	CONTROL VALVE ASSY (includes all items)	19	8830-1548	4	FILLISTER HD MACHINE SCREW, 1/4-20 X 1
1	9103-4070	AR	STUD KIT	20	9020-6431	1	BONNET
2	9020-6415	1	PORT RELIEF	21	8821-1069	1	SOCKET HD CAPSCREW, 3/8-16 X 3/4, GR8
	9103-4237	AR	STUD KIT	22	8855-1011	1	LOCKWASHER, 3/8
3	9103-4102	2	VALVE SECTION (includes items 10 through 14)	23	9020-6430	1	SPOOL COLLAR
4	9103-4104	1	COVER PLATE ASSY (right end)	24	9020-6428	2	STOP COLLAR
5	9020-6422	1	O-RING	25	9020-6429	1	SPRING
6	9020-6423	2	O-RING	26	9020-6419	AR	RETAINER PLATE KIT (consists of items 27 & 28)
7	9104-4114	1	COVER PLATE ASSY (left end; includes item #8)	27		1	SCREW
8	9020-8136	1	MAIN RELIEF VALVE ASSY (3,000 PSI)	28		1	RETAINER PLATE
	9103-4236	AR	SEAL KIT	29	9103-4074	1	PORT RELIEF
9	9020-6421	1	VALVE SECTION (includes items 10 through 14)	30	9103-4159	AR	SPOOL SEAL KIT (consists of items 17, 31, 32)
10	9020-6413	AR	LOAD CHECK POPPET ASSY (includes items 11 through 14)	31		1	O-RING
11		1	LOAD CHECK PLUG	32		1	O-RING
12		1	O-RING	33	8820-1072	3	HEX HD CAPSCREW, 1/4-20 X 1-3/4, GR5
13		1	SPRING	34	8856-1107	3	FLAT WASHER, 1/4
14		1	POPPET	35	8850-1008	3	HEX NUT, 1/2-13
15	9020-6420	1	VALVE SECTION (with port relief; includes item #2)	36	9020-6417	AR	SECTION SEAL KIT (consists of items 5, 6, 12, 17, 31, 32)
16	9103-4072	1	VALVE SECTION (includes item #29)				NOTE: ONLY ITEMS WITH PART NUMBERS ARE AVAILABLE FOR SERVICE.
17	9020-6418	AR	SEAL PLATE				
18	9020-6427	AR	NEUTRAL POSITIONER (consists of items 19 through 25)				

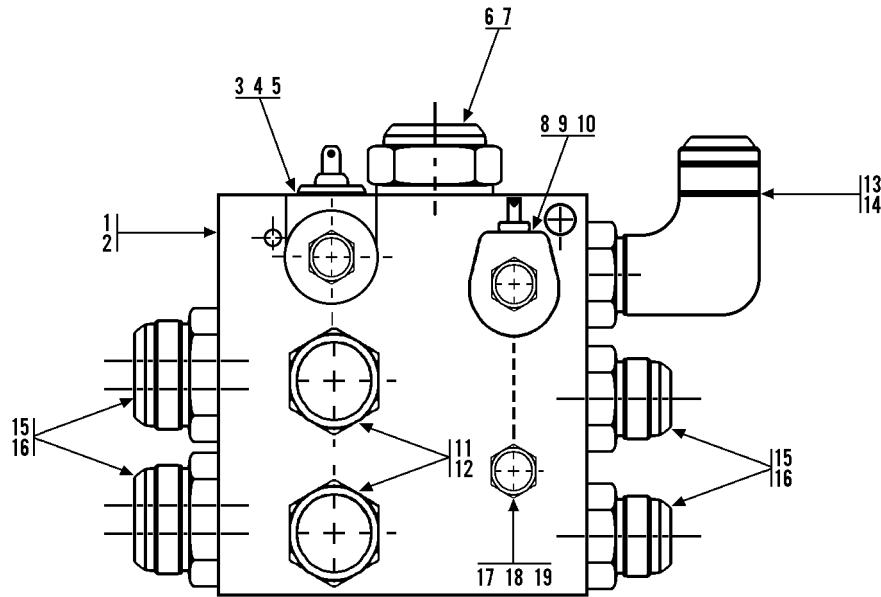


Item	Part No.	Qty.	Description Of Part
	9103-3240	1	PRIORITY VALVE (2,500 PSI relief setting; includes all items)
1	9020-6548	1	HOUSING (includes item #2)
2	9020-6549	1	SPOOL
3	9020-6550	1	SPRING
4	8859-1206	1	O-RING
5	9020-6552	1	PLUG
6	9020-6553	1	RELIEF CARTRIDGE (includes items 7 through 16)
7	9020-6554	1	RELIEF VALVE SUB BODY (includes items 8 through 10)
8	9020-6555	1	BODY
9	9020-6556	1	RING
10	9020-6557	1	SCREEN
11	9020-6558	1	RELIEF VALVE ADJUSTING SCREW
12	9020-6559	1	SPRING GUIDE
13	9020-6560	1	SPRING
14	9020-6561	1	BALL HOLDER
15	9020-6562	1	BALL
16	8859-1205	1	O-RING
17	9020-6564	1	PLUG

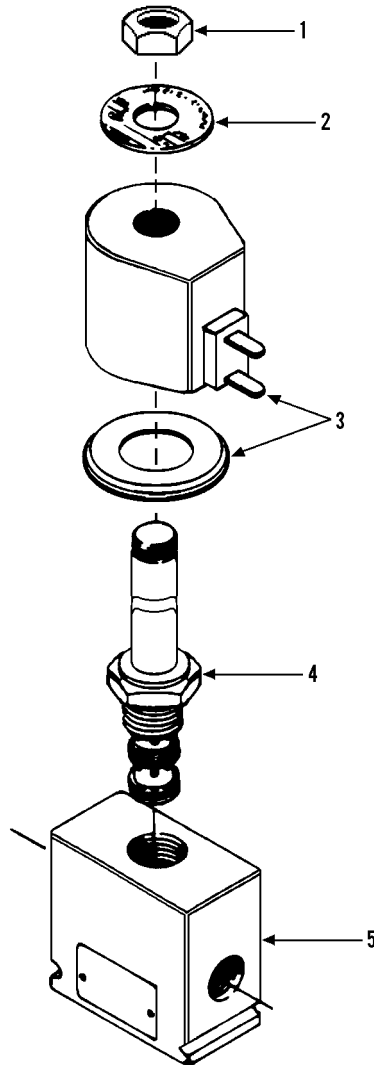
Original art was upside-down; turned right-side up.



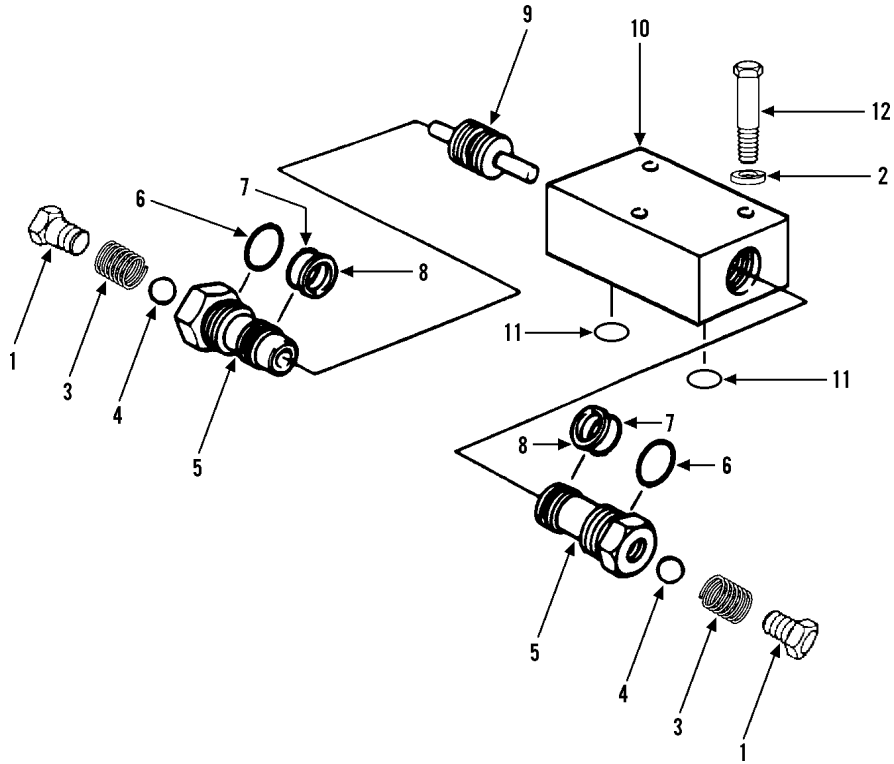
Item	Part No.	Qty.	Description Of Part
	9020-6737	1	FORWARD-REVERSE CONTROL VALVE (includes all items)
1	9002-6155	4	HEX HD CAPSCREW, 3/8-16 X 5
	8855-1011	4	LOCKWASHER, 3/8
2	9020-8137	1	OUTLET SECTION
3	8866-2180	2	HEX HD PLUG (includes O-ring)
	8859-1210	2	O-RING
* 4	9020-8191	1	WORK SECTION
5	9020-6423	4	O-RING
6	9020-6422	2	O-RING
7	9020-8139	2	PORT RELIEF CARTRIDGE (two backup & one O-ring)
8	9020-8140	2	REMOTE HYDRAULIC ACTUATOR
9	9020-8141	1	INLET SECTION
10	9103-3040		PLUG (not shown; replaces anti-cavitation check)



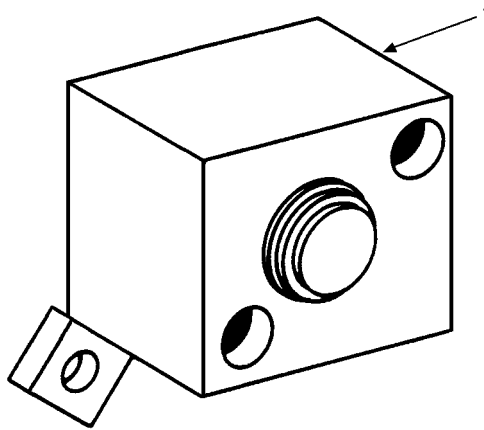
Item	Part No.	Qty.	Description Of Part
	9104-5097	1	SERIES-PARALLEL VALVE ASSY (includes items 1 through 16)
1	9104-3264	1	SERIES-PARALLEL CONTROL VALVE ASSY (includes items 2 through 12)
2		1	VALVE BODY
3	9104-4341	1	SOLENOID VALVE ASSY, FOUR-WAY (includes item #5)
4	7738-4264	AR	SEAL KIT
5	9104-4012	2	SOLENOID COIL
6	9104-4342	1	DIFFERENTIAL PRESSURE SENSING VALVE
7	9104-4343	AR	SEAL KIT
8	7736-3121	1	SOLENOID VALVE ASSY, TWO-WAY (includes item #10)
9	9104-4002	AR	SEAL KIT
10	9104-4012	1	SOLENOID COIL
11	9104-4344	2	DIFFERENTIAL PRESSURE SENSING VALVE
12	9104-4345	AR	SEAL KIT
13	8866-2067	1	ELBOW, 90 DEGREES (includes item #14)
14	8859-1207	1	O-RING
15	8866-2010	6	CONNECTOR (includes item #16)
16	8859-1209	6	O-RING
17	8320-1048	2	HEX HD CAPSCREW, 3/8-16 X 5-1/4, GR5
18	8856-1109	2	FLAT WASHER, 3/8
19	8850-1006	2	HEX NUT, 3/8-16



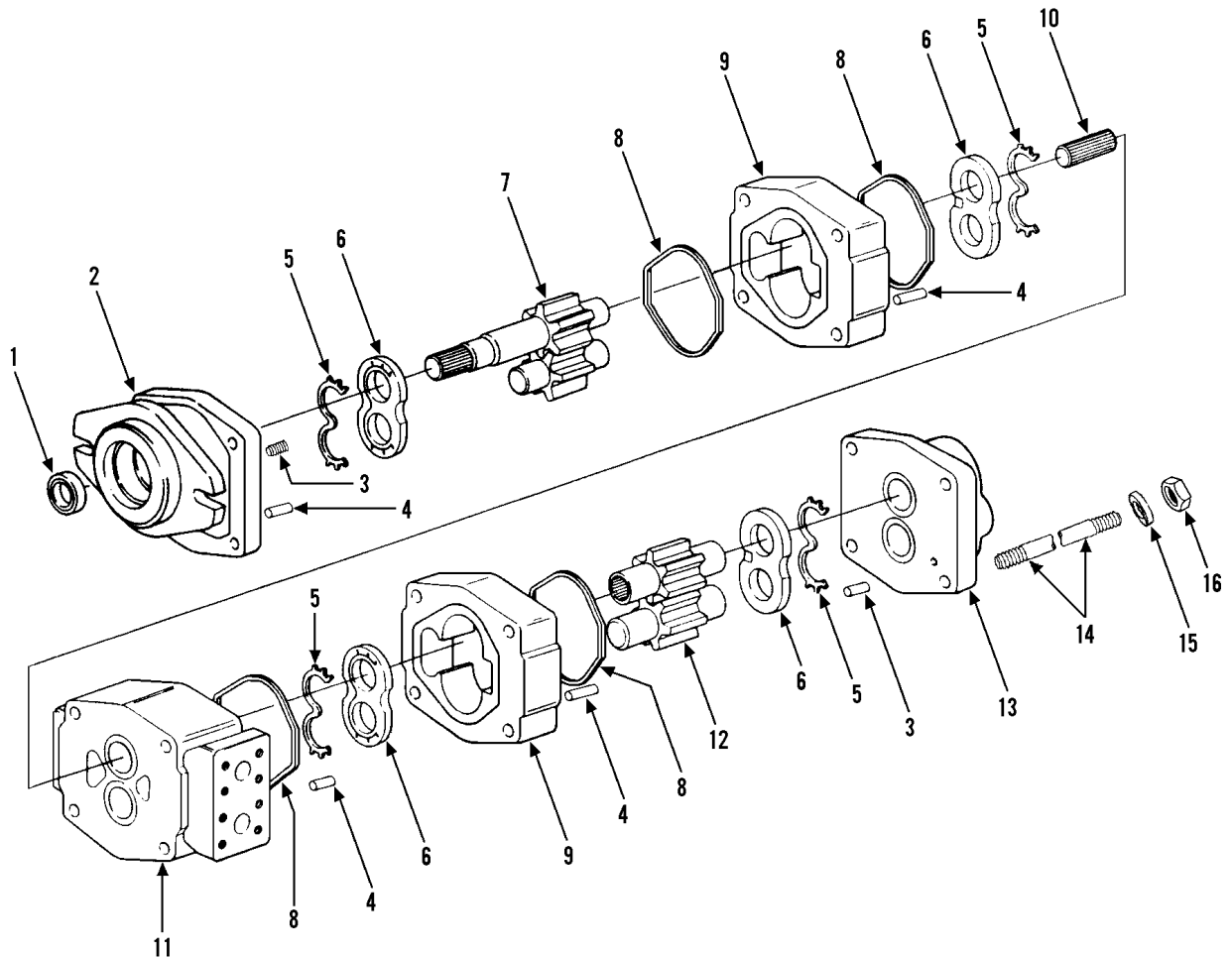
Item	Part No.	Qty.	Description Of Part
	9020-6739	1	3-WAY SOLENOID VALVE (includes all items)
1	9020-8066	1	NUT
2	9020-8067	1	NAME PLATE
3	7738-4267	1	COIL
4	9020-8071	1	VALVE ASSY (3-way, 2-pos.)
5	9020-8072	1	VALVE BODY



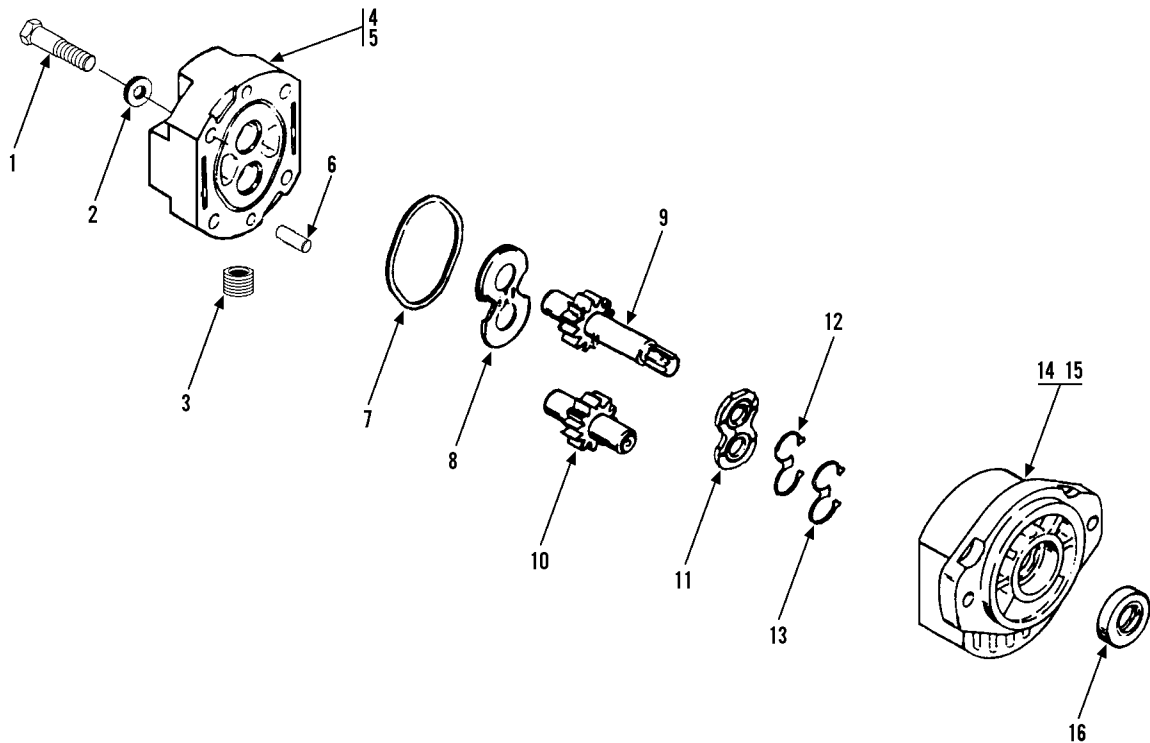
Item	Part No.	Qty.	Description Of Part
	9105-3354	2	DUAL P.O. CHECK VALVE ASSY (includes items 1, 3 through 11)
1	9103-4272	1	PLUG
2	8855-1011	3	LOCKWASHER, 3/8
3	9103-4110	1	SPRING
4	9104-4111	1	BALL
5	9103-4112	1	CARTRIDGE BODY
6	9103-4113	1	O-RING
7	9103-4114	1	O-RING
8	9103-4115	1	BACKUP RING
9	9103-4116	1	PISTON
10	9103-4117	1	BODY
11	9103-4273	2	O-RING
12	8820-1041	3	HEX HD CAPSCREW, 3/8-16 X 2-1/2, GR5



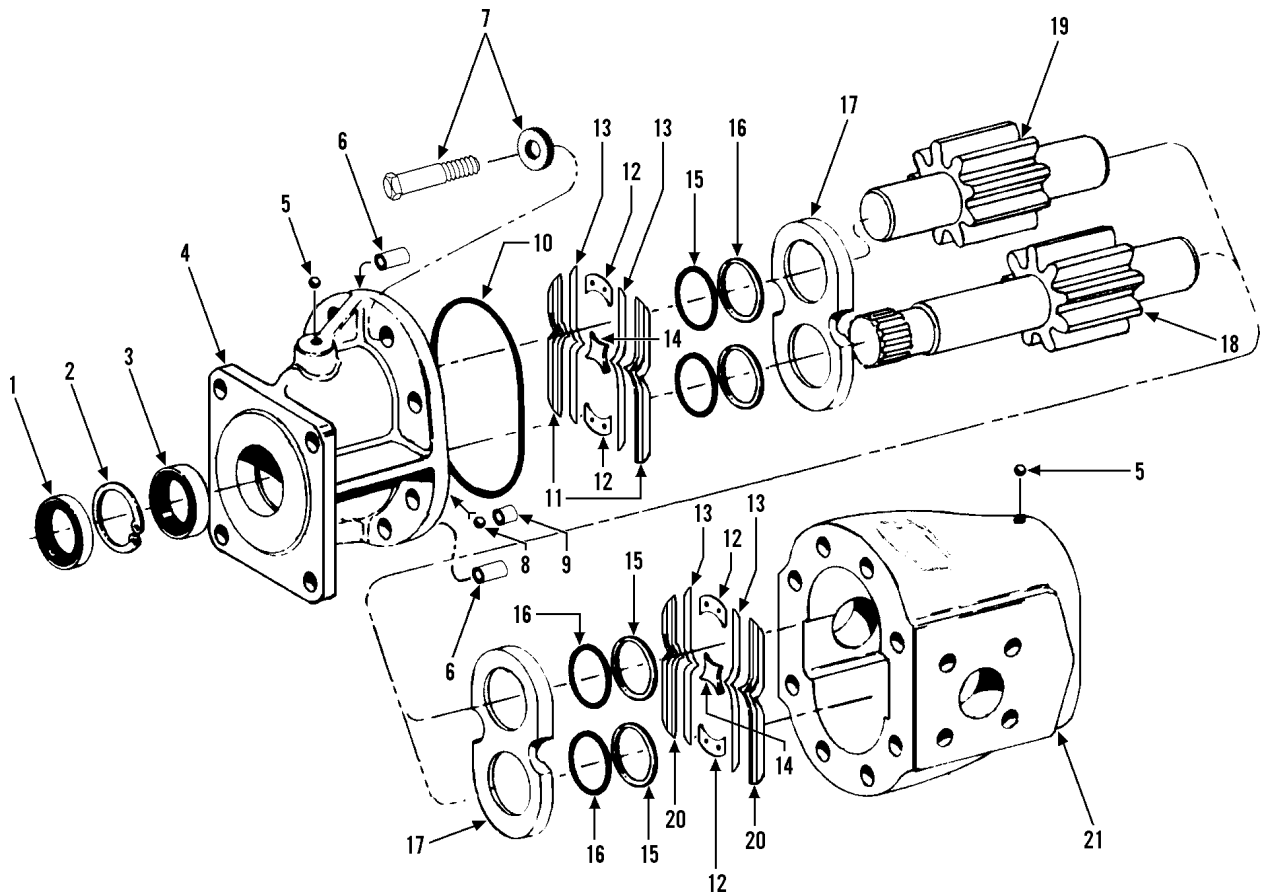
Item	Part No.	Qty.	Description Of Part
1	9103-3096	1	INCHING VALVE
	9103-4018	Ref	SEAL KIT



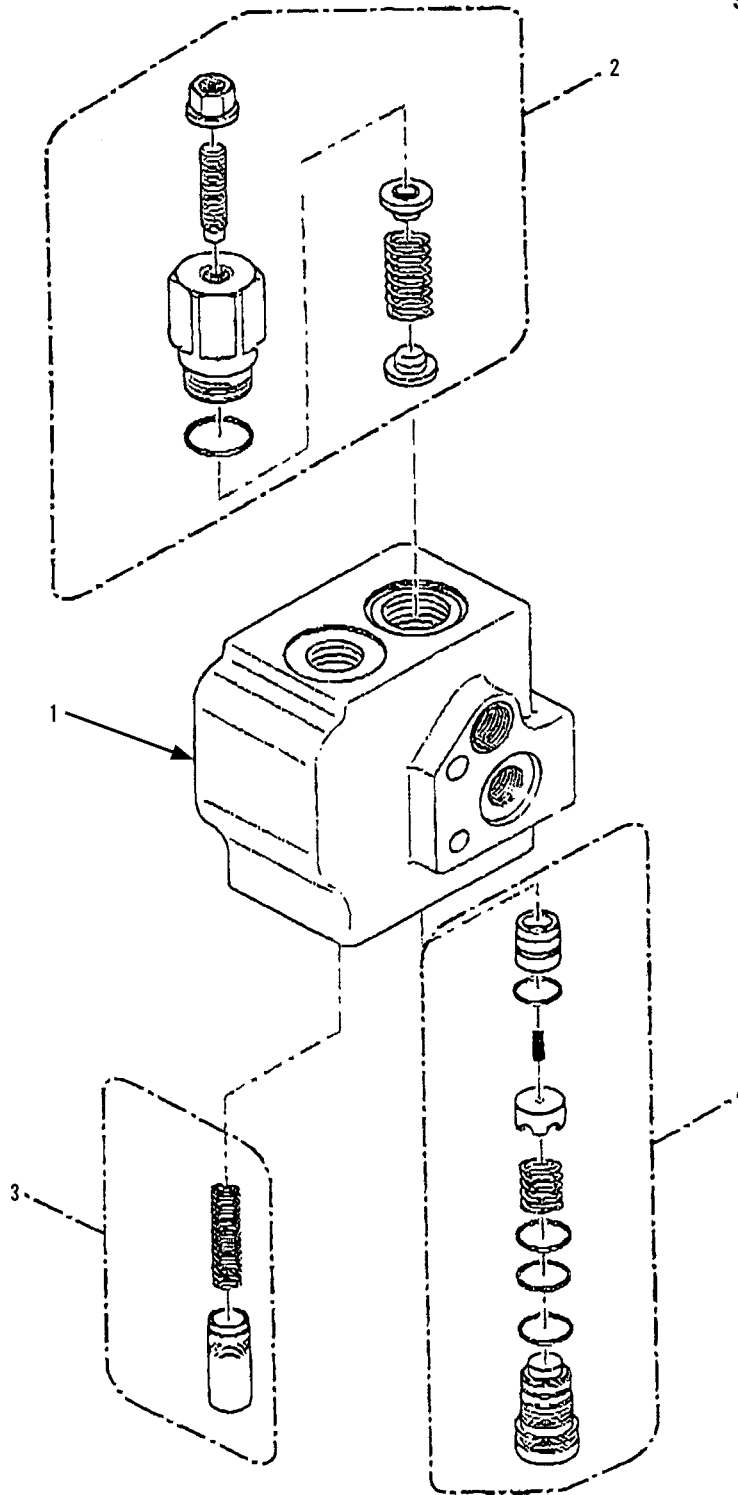
Item	Part No.	Qty.	Description Of Part	Item	Part No.	Qty.	Description Of Part
	9103-3226	1	MAIN HYDRAULIC PUMP ASSY (includes all items)	8		4	GASKET SEAL
	9103-4315	1	SEAL KIT (includes items 1, 5, 8)	9	9103-4319	2	GEAR HOUSING
1		1	LIP SEAL	10	9103-4320	1	CONNECTING SHAFT
2	9103-4316	1	SHAFT END COVER ASSY (includes bushings)	11	9103-4321	1	BEARING CARRIER ASSY (includes bushings)
3	7713-4028	2	PLUG	12	9103-4322	1	GEAR SET
4	8367-1037	8	DOWEL PIN	13	9103-4323	1	PORT END COVER
5		4	CHANNEL SEAL	14	9103-4324	4	STUD
6	9103-4317	4	THRUST PLATE	15	7713-4044	4	FLAT WASHER
7	9103-4318	1	GEAR SET	16	8594-1045	4	HEX NUT



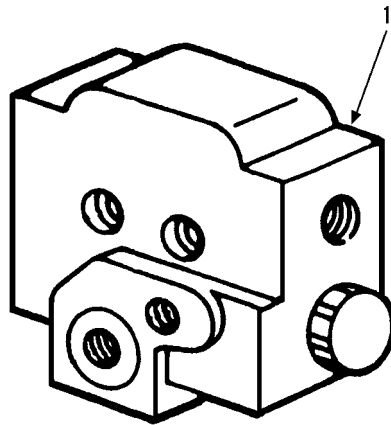
Item	Part No.	Qty.	Description Of Part
	9104-3297	1	PILOT PUMP ASSY (includes all items)
	9104-4441	1	MAJOR KIT (includes items 7, 8, 11, 12, 13, 16)
	9104-4442	1	SEAL KIT (includes items 7, 12, 13, 16)
1	8820-1038	4	HEX HD CAPSCREW, 3/8-16 X 1-3/4, GR5 (lubricate & torque to 34-38 ft. lbs.)
2	9103-4058	4	WASHER
3	9103-4059	1	PIPE PLUG
4	9104-4355	1	REAR COVER ASSY (includes item #5)
5		2	SLEEVE BUSHING
6	9103-4062	2	DOWEL PIN
7		1	GASKET
8	9103-4063	1	THRUST PLATE (install with bronze side facing gears)
9	9104-4443	1	DRIVE GEAR ASSY
10	9104-4357	1	DRIVEN GEAR
11		1	WEAR PLATE
12		1	SPACER
13		1	LOADING SEAL
14	9104-4358	1	BODY ASSY (includes item #15)
15		2	SLEEVE BUSHING
16	9104-4359	1	SHAFT SEAL
			NOTE: ONLY ITEMS WITH PART NUMBERS ARE AVAILABLE FOR SERVICE.



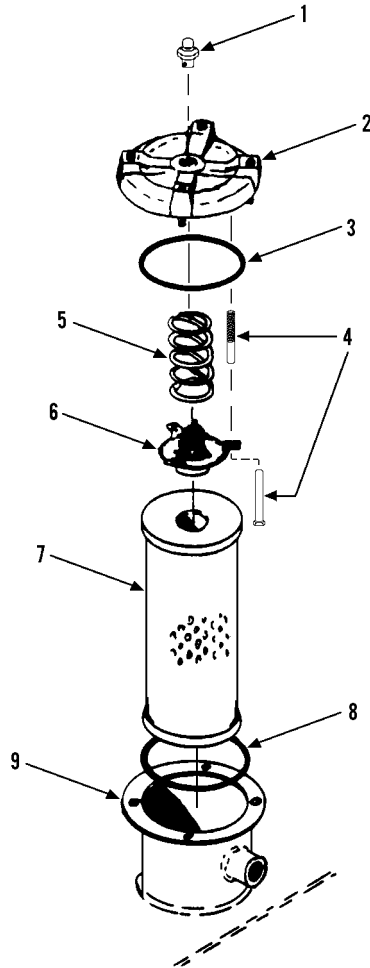
Item	Part No.	Qty.	Description Of Part
	9020-6748	2	REAR DRIVE MOTOR (includes all items)
1	9020-2371	1	SHAFT SEAL (outer)
2	9020-2372	1	SNAP RING
3	9020-5716	1	SHAFT SEAL (inner)
4	9020-8193	1	FLANGE (with bushings)
5	9020-2435	2	BALL, 1/4"
6	9020-2376	2	DOWEL
7	9002-7736	8	HEX HD CAPSCREW, 1/2-13 X 1-1/4, GR8
8	9020-2377	2	CHECK BALL, 1/2"
9	9020-2378	2	CHECK BALL RETAINER
10	9020-2379	1	O-RING
11	9020-2390	2	TOP ISOLATION PLATE
12	9020-2391	4	END SEPARATOR
13	9020-2393	4	SEALING STRIP
14	9020-2392	2	CENTER SEPARATOR
15	9020-8194	4	O-RING
16	9020-2381	4	BACKUP RING
17	9020-2382	2	PRESSURE PLATE
18	9020-8196	1	DRIVE GEAR
19	9020-8197	1	IDLER GEAR
20	9020-2389	2	BOTTOM ISOLATION PLATE
21	9020-8198	1	BODY (with bushings)
22	9104-4222	8	WASHER



Item	Part No.	Qty.	Description Of Part
1	9104-3296	1	ACCUMULATOR CHARGE VALVE
2	9104-4538	1	LG. SPRING REPAIR KIT
3	9104-4539	1	SPOOL & SM. SPRING REPAIR KIT
4	9104-4540	1	ELEMENT & SEAL KIT
			NOTE: ONLY ITEMS WITH PART NUMBERS ARE AVAILABLE FOR SERVICE.

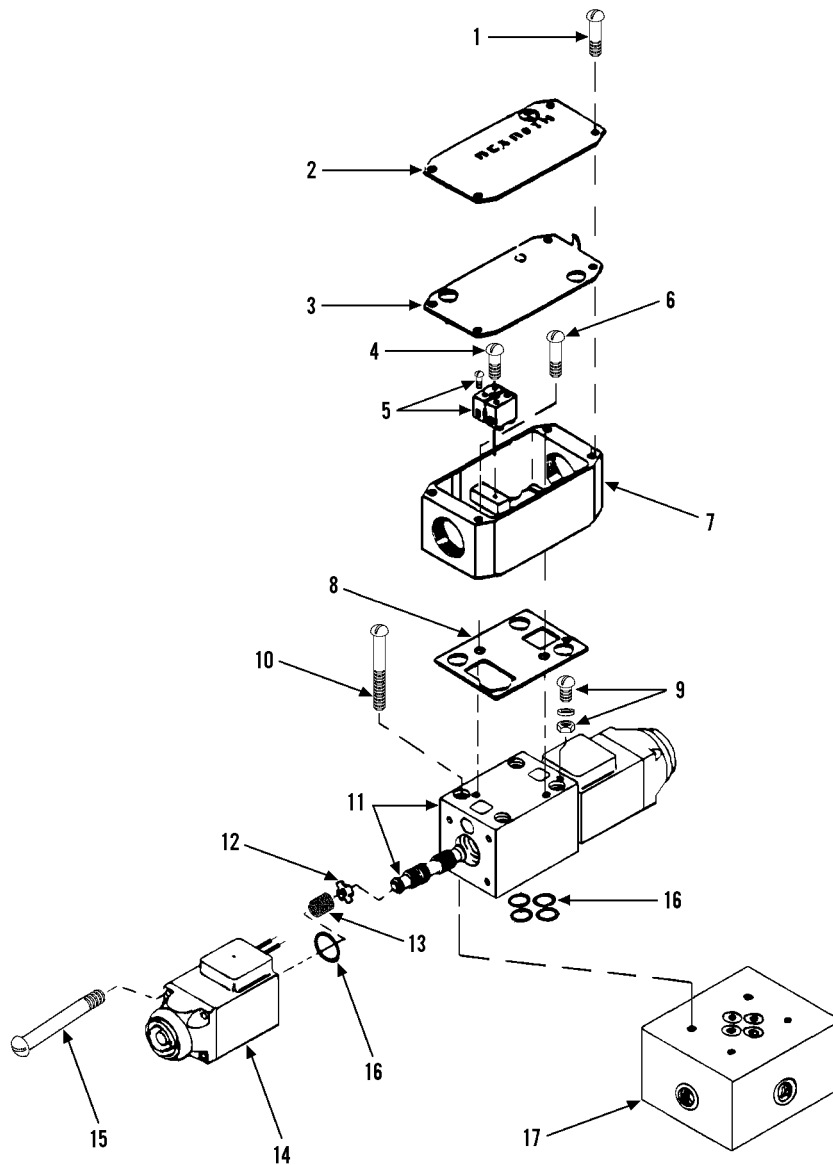


Item	Part No.	Qty.	Description Of Part
1	9108-3239	1	ACCUMULATOR CHARGE VALVE ASSY (no service parts available)

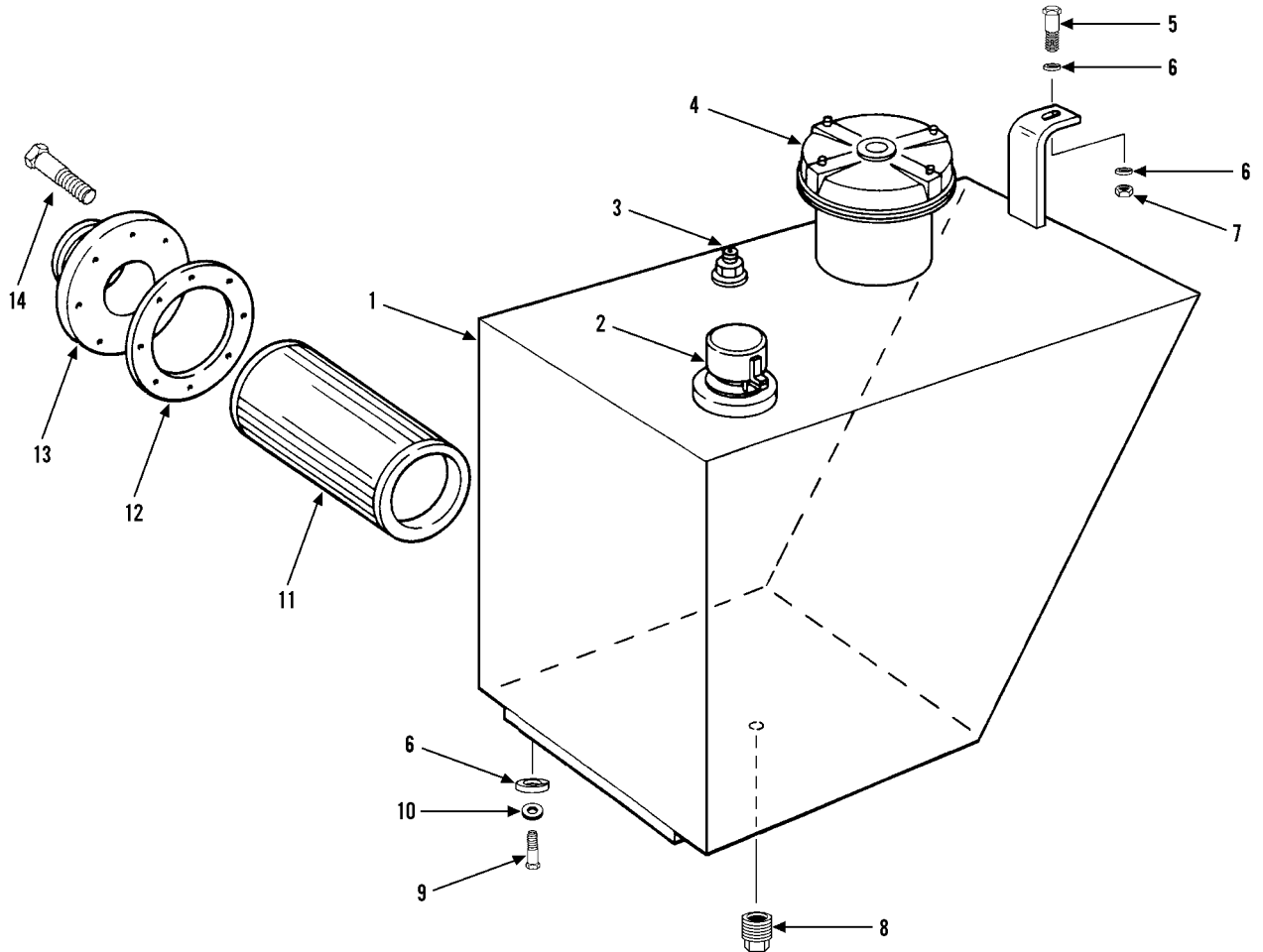


UNIT WITH POP-UP INDICATOR

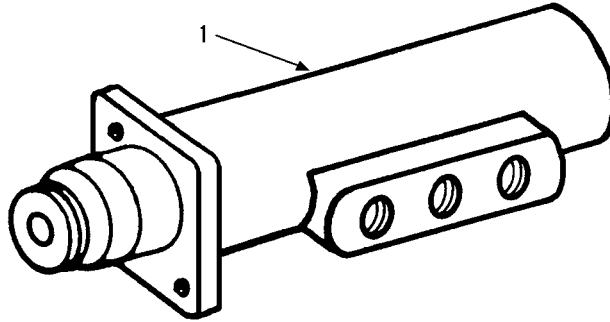
Item	Part No.	Qty.	Description Of Part
1	9103-4009	1	POP-UP INDICATOR
2	9103-4007	1	CAP ASSY (includes items 3 & 4)
3	9103-4329	1	O-RING
4	9103-4330	4	BOLT
5	9103-4010	1	SPRING
6	9103-4008	1	BYPASS VALVE
7	9103-3318	1	ELEMENT
8	9002-3246	1	O-RING
9		1	BODY
			NOTE: ONLY ITEMS WITH PART NUMBERS ARE AVAILABLE FOR SERVICE.



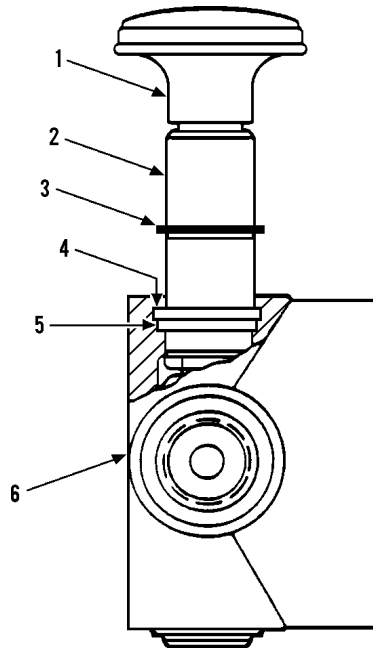
Item	Part No.	Qty.	Description Of Part	Item	Part No.	Qty.	Description Of Part
	9103-3097	1	DIRECTIONAL CONTROL VALVE (includes all items)	11		1	SPOOL & HOUSING
1		4	SCREW, M4 X 16 X 16	12	9103-4014	2	SPACER
2		1	NAME PLATE	13	9103-4015	2	SPRING
3	9103-4011	1	GASKET	14	9103-4016	2	SOLENOID
4		2	SCREW	15		8	SCREW, M4 X 65
5	9103-4012	2	TERMINAL BLOCK	16	9103-4017	1	O-RING KIT
6		2	SCREW, M4 X 15	17		1	MANIFOLD
7		1	TERMINAL BOX				
8	9103-4013	1	GASKET				NOTE: ONLY ITEMS WITH PART NUMBERS ARE AVAILABLE FOR SERVICE.
9		1	GROUND SCREW, M4 X 6				
10		4	MOUNTING BOLT, 10-24 X 2				



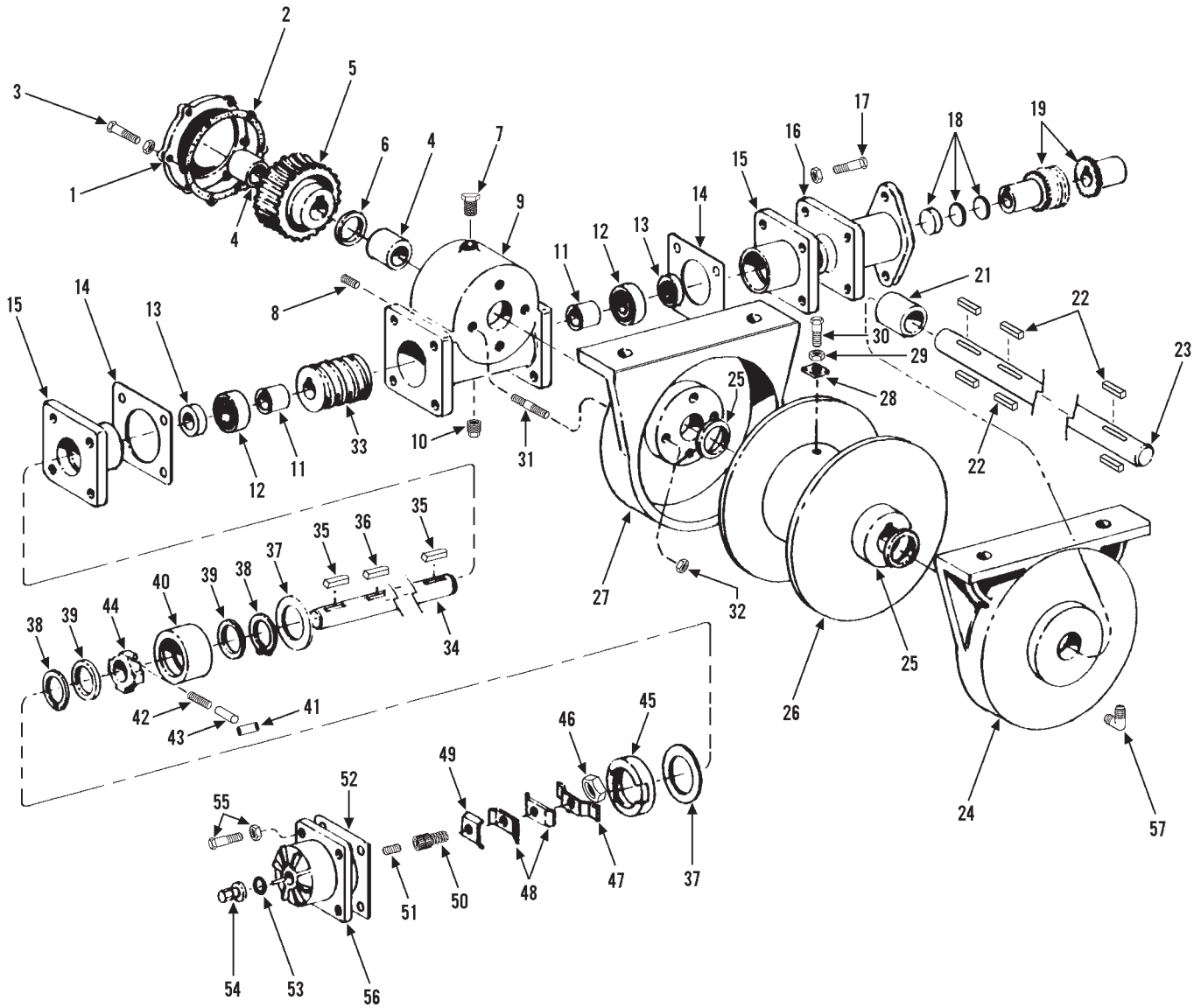
Item	Part No.	Qty.	Description Of Part
1	9103-6002	1	HYDRAULIC OIL TANK
2	9020-5222	1	FILLER-BREATHER ASSY (includes gasket and mounting hardware)
3	9040-3419	1	STANDPIPE WELDMENT
4	9103-3318	Ref	OIL RESERVOIR FILTER (see page 10-18 for details)
5	8820-1070	1	HEX HD CAPSCREW, 1/2-13 X 2-1/4, GR5
6	8856-1111	4	FLAT WASHER, 1/2
7	8852-1208	1	HEX LOCKNUT, 1/2-13
8	8871-1255	1	SQUARE HD PIPE PLUG, 1"
9	8820-1066	2	HEX HD CAPSCREW, 1/2-13 X 1-1/4, GR5
10	8855-1013	2	LOCKWASHER, 1/2
11	9041-0295	1	SUCTION FILTER
12	9041-0294	1	GASKET
13	9103-6003	1	FLANGE WELDMENT
14	8820-1035	8	HEX HD CAPSCREW, 3/8-16 X 1, GR5



Item	Part No.	Qty.	Description Of Part
1	9108-3154	1	BRAKE VALVE ASSY
	9106-4057	Ref	REPAIR KIT

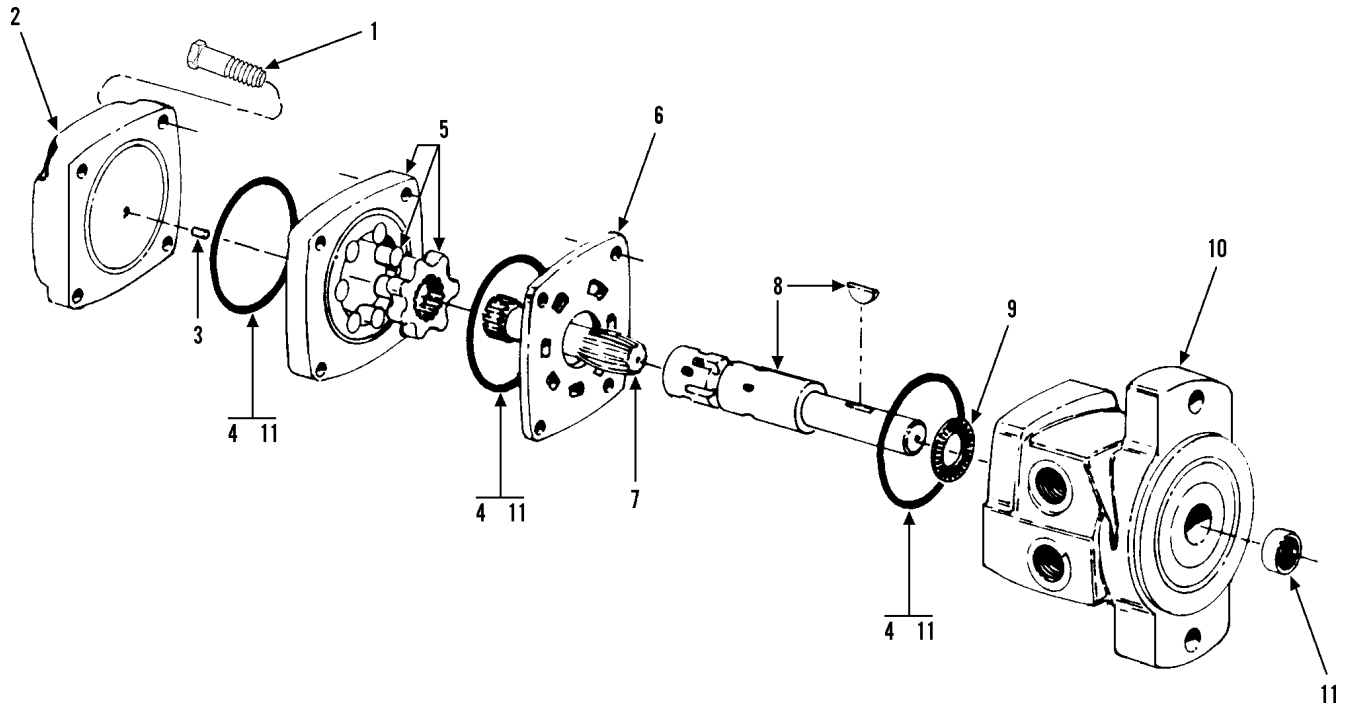


Item	Part No.	Qty.	Description Of Part
	9104-3090	1	PARKING BRAKE VALVE (includes items 1 through 6)
1	9104-4297	1	KNOB
2	9104-4126	1	SPOOL
3	9104-4127	1	RETAINING RING
4	9104-4128	1	BACKUP RING
5	9104-4129	1	O-RING
6	9104-4130	1	HOUSING
7	9103-3378	1	RUBBER BOOT (not shown)

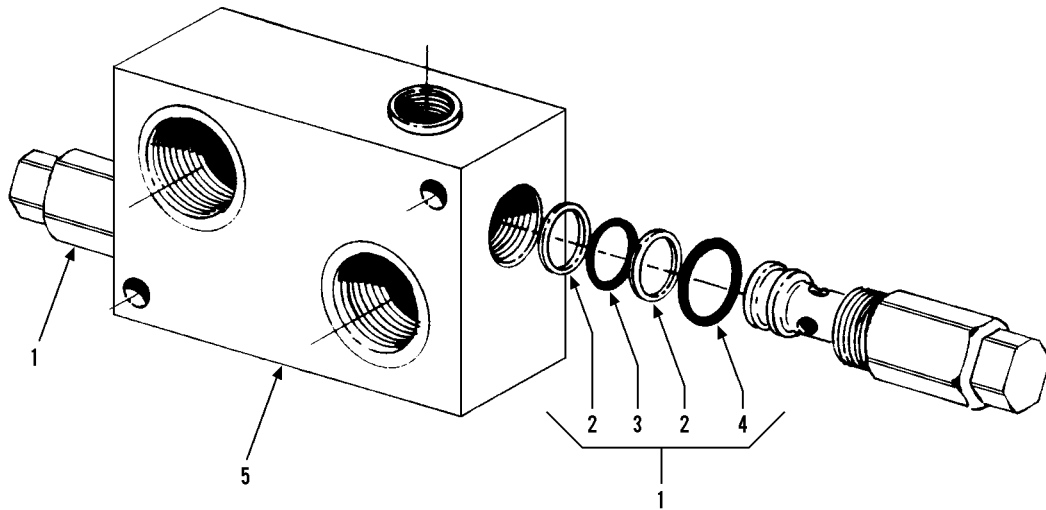


Item	Part No.	Qty.	Description Of Part	Item	Part No.	Qty.	Description Of Part
*	9045-3050	1	TRUSS BOOM WINCH, (includes all items on this page & on page 10-24)	29	8855-1011	1	LOCKWASHER, 3/8
1	9020-8147	1	GEAR CASE COVER	30	8820-1036	1	HEX HD CAPSCREW, 3/8-16 X 1-1/4, GR5
2	9020-8171	1	GEAR CASE GASKET	31	9020-8155	4	STUD BOLT, 1/2-13 X 1-1/2
3	8820-1035	6	HEX HD CAPSCREW, 3/8-16 X 1, GR5	32	8850-1008	4	HEX NUT, 1/2-13
4	9020-8154	2	BUSHING	33	9020-8151	1	WORM
5	9020-8150	1	WORM GEAR	34	9020-8149	1	WORM SHAFT
6	9020-8174	1	BUSHING	35	9020-8176	2	WORM SHAFT KEY
7	9020-8168	1	OIL FILL PLUG	36	9020-8177	1	WORM SHAFT KEY
8	9020-8185	1	OIL LEVEL PLUG	37	9020-8164	2	BRAKE LINING
9	9020-8142	1	GEAR CASE	38	9020-8184	2	LOCK RING, (V.C. type)
10	9020-8186	1	OIL DRAIN PLUG	39	9020-8175	2	SEAL
11	9020-8156	2	COLLAR	40	9020-8158	1	BRAKE HOUSING
12	9020-8183	2	BEARING	41	9020-8163	1	ROLLER
13	9020-8189	2	OIL SEAL	42	9020-8179	1	BRAKE DRUM SPRING
14	9020-8170	2	BEARING HUB GASKET	43	9020-8162	1	SPRING SEAT
15	9020-8188	2	BEARING HUB	44	9020-8159	1	BRAKE DRUM
16	9020-8180	1	MOTOR MOUNT ADAPTER	45	9020-8157	1	BRAKE PLATE
17	8820-1037	4	HEX HD CAPSCREW, 3/8-16 X 1-1/2, GR5	46	8850-1006	1	HEX NUT, 3/8-16
	8855-1011	4	LOCKWASHER, 3/8	47	9020-8165	1	BRAKE PLATE
18	9020-8187	AR	COUPLER SPACER	48	9020-8166	2	BRAKE PLATE
19	9020-8181	1	COUPLER WINCH SHAFT	49	9020-8167	1	FIXING PLATE
*20	Not Used			50	9020-8160	1	ADJUSTING BOLT
21	9020-8153	1	LOCK SEAT BUSHING	51	9020-8178	1	SPRING
22	9020-8152	6	CABLE DRUM SHAFT KEY	52	9020-8190	1	BRAKE COVER GASKET
23	9020-8148	1	CABLE DRUM SHAFT	53	9020-8172	1	O-RING
*24	9140-4384	1	LOCK SEAT	54	9020-8161	1	ADJUSTING NUT
25	9020-8173	2	WASHER	55	8820-1037	8	HEX HD CAPSCREW, 3/8-16 X 1-1/2, GR5
26	9020-8145	1	CABLE DRUM		8855-1011	4	LOCKWASHER, 3/8
27	9020-8143	1	LOCK SEAT	56	9020-8146	1	BRAKE DRUM
28	9020-8169	1	WIRE ROPE LOCK	57	8867-1001	1	LUBE FITTING, STRAIGHT, 1/8

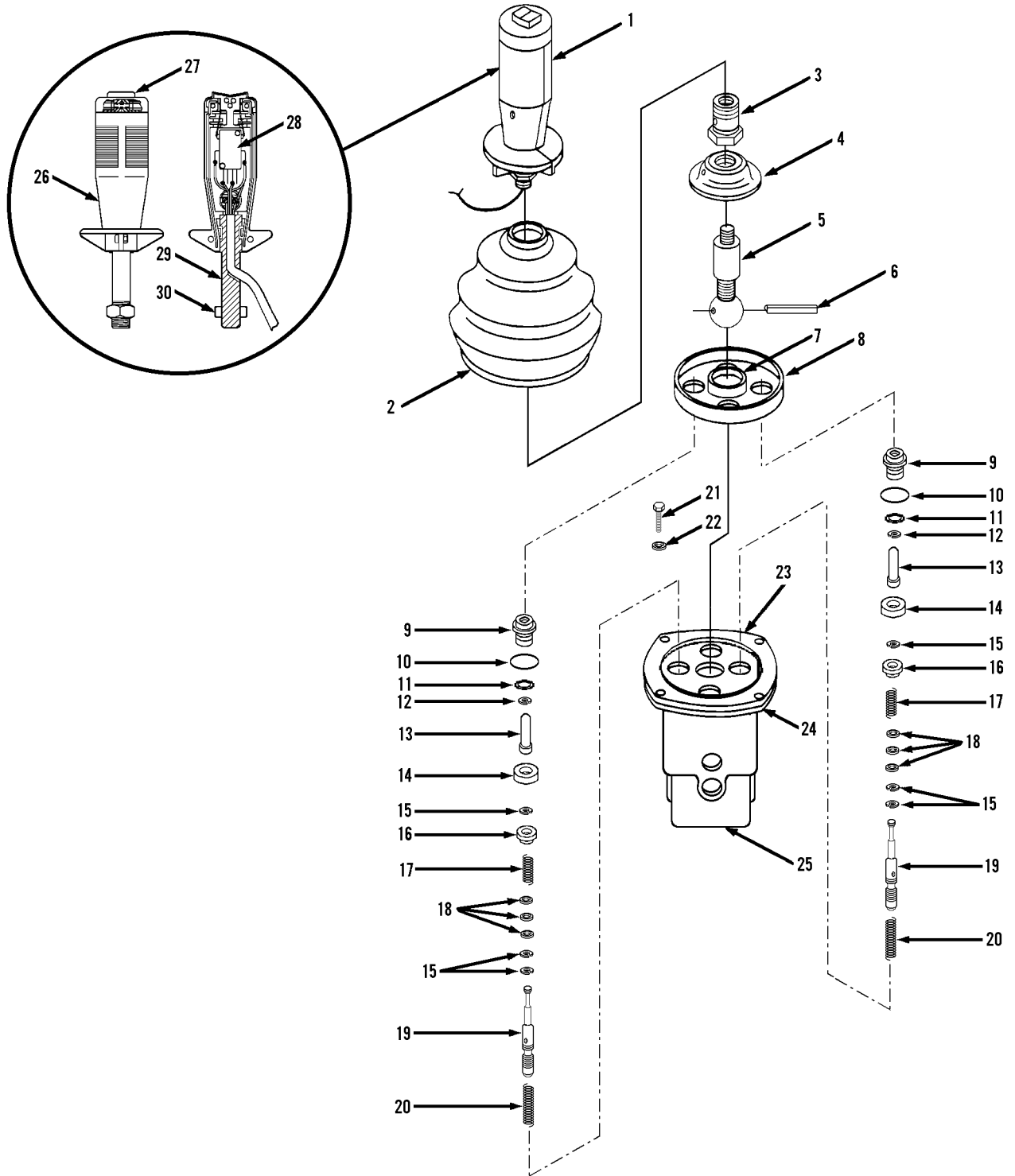
* Revised illustration, part number for truss boom winch assy & item 24; removed item 20.



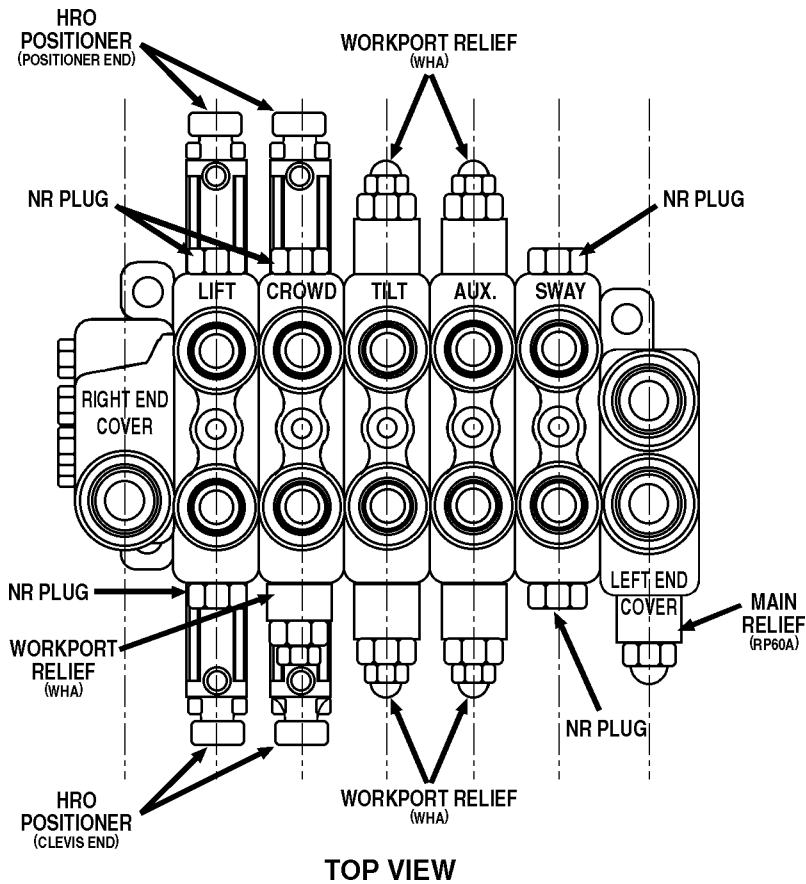
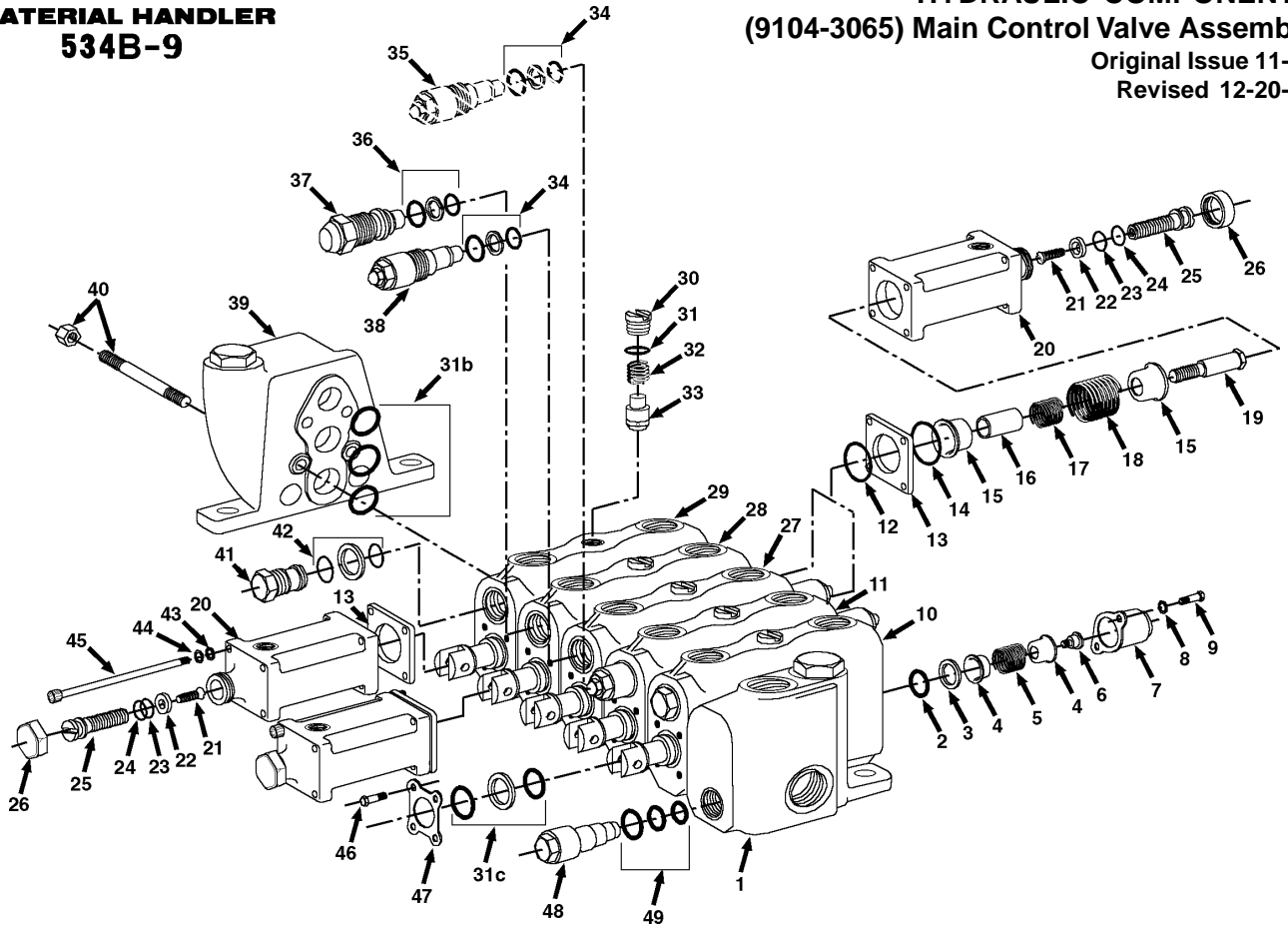
Item	Part No.	Qty.	Description Of Part
	9020-7879	1	WINCH MOTOR (includes all items)
1	8320-1057	4	HEX HD CAPSCREW, 3/8-16 X 2, GR8
2	9020-8203	1	END COVER
3	9020-8204	1	PIN
4	9020-8205	3	SEAL
5	9020-8206	1	ROLLER-STATOR ASSY
6	9020-8207	1	WEAR PLATE
7	9020-8208	1	DRIVE LINK
8	9020-8209	1	SHAFT
9	9020-8210	1	THRUST BEARING
10	9020-8211	1	FRONT HOUSING
11	9020-8212	1	SHAFT SEAL KIT (includes item #4)



Item	Part No.	Qty.	Description Of Part
	9060-2706	1	CROSSOVER RELIEF VALVE (includes all items)
1	9020-3440	2	RELIEF CARTRIDGE (with seals)
2	9020-3437	4	BACKUP RING (2 per cartridge)
3	9020-3438	2	O-RING (1 per cartridge)
4	9020-3439	2	O-RING (1 per cartridge)
5		1	BODY
			NOTE: ONLY ITEMS WITH PART NUMBERS ARE AVAILABLE FOR SERVICE.



Item	Part No.	Qty.	Description Of Part
	9103-3482	1	JOYSTICK ASSY (includes all items)
	9103-4344	4	SPOOL ASSY (includes items 15, 16, 18, 19, 20)
*	9900-7524	AR	PLUNGER SEAL KIT (includes items 10 & 11)
1	9103-4343	1	HANDLE ASSY, NO LONGER AVAILABLE (for service order P/N 9103-4378 handle assy which has serviceable component parts, items 26 through 30)
	9103-4378	1	HANDLE ASSY (includes items 26 through 30)
2	9103-4346	1	BOOT
3	9103-4347	1	HANDLE ADAPTER
4	9103-4348	1	CAM PLATE
5	9103-4349	1	PIVOT BALL
6	9103-4350	1	PIVOT PIN
7	9103-4351	1	PIVOT BALL RACE
8	9103-4352	1	BOOT PLATE
9	9103-4353	4	PLUNGER GUIDE
10	9103-4354	4	O-RING
11	9103-4355	4	U-CUP SEAL
12	9103-4356	4	RETAINING RING
13	9103-4357	4	PLUNGER PIN
14	9103-4358	4	RACE
15	9103-4359	12	RETAINING RING
16	9103-4360	4	SPRING RETAINER
17	9103-4361	4	SPRING
18	9103-4362	AR	SHIM (.010 thick)
	9103-4363	AR	SHIM (.020 thick)
	9103-4364	AR	SHIM (.060 thick)
19	9103-4365	4	SPOOL
20	9103-4366	4	SPRING
21	9103-4367	4	HEX HD CAPSCREW, 1/4-20 X .75
22	9103-4368	4	LOCKWASHER
23	9103-4369	1	TOP MOUNTING PLATE
24	9103-4370	1	BOTTOM MOUNTING PLATE
25	9103-4371	1	HOUSING
*26	9103-4379	1	GRIP ASSY (includes item #27)
*27	9103-4380	1	BOOT (rocket assy)
*28	9103-4381	2	MICRO SWITCH
*29	9103-4382	1	HANDLE ROD
*30	9103-4383	1	HEX JAM NUT, 1/2-13



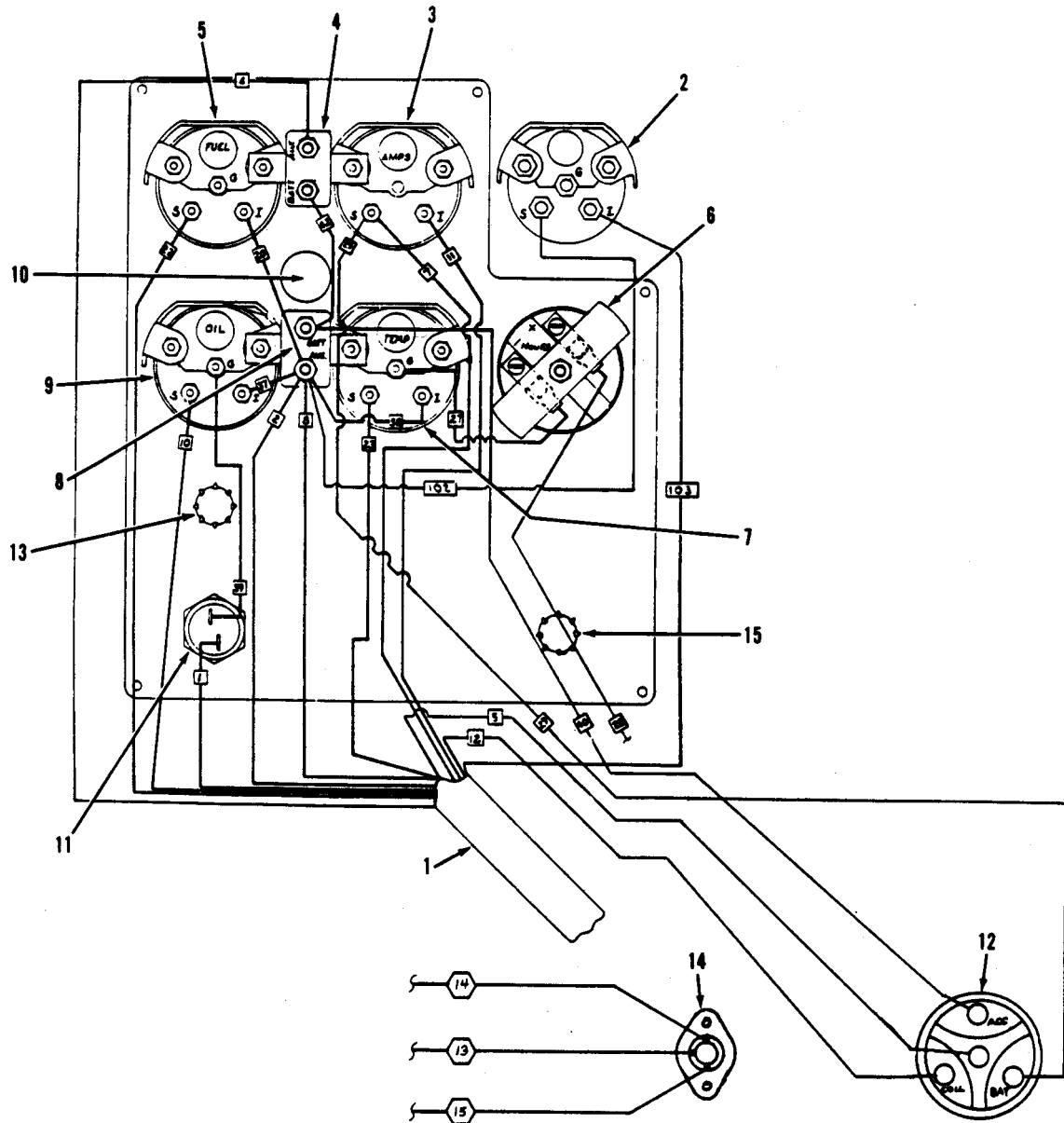
TOP VIEW

ARTWORK ON PREVIOUS PAGE

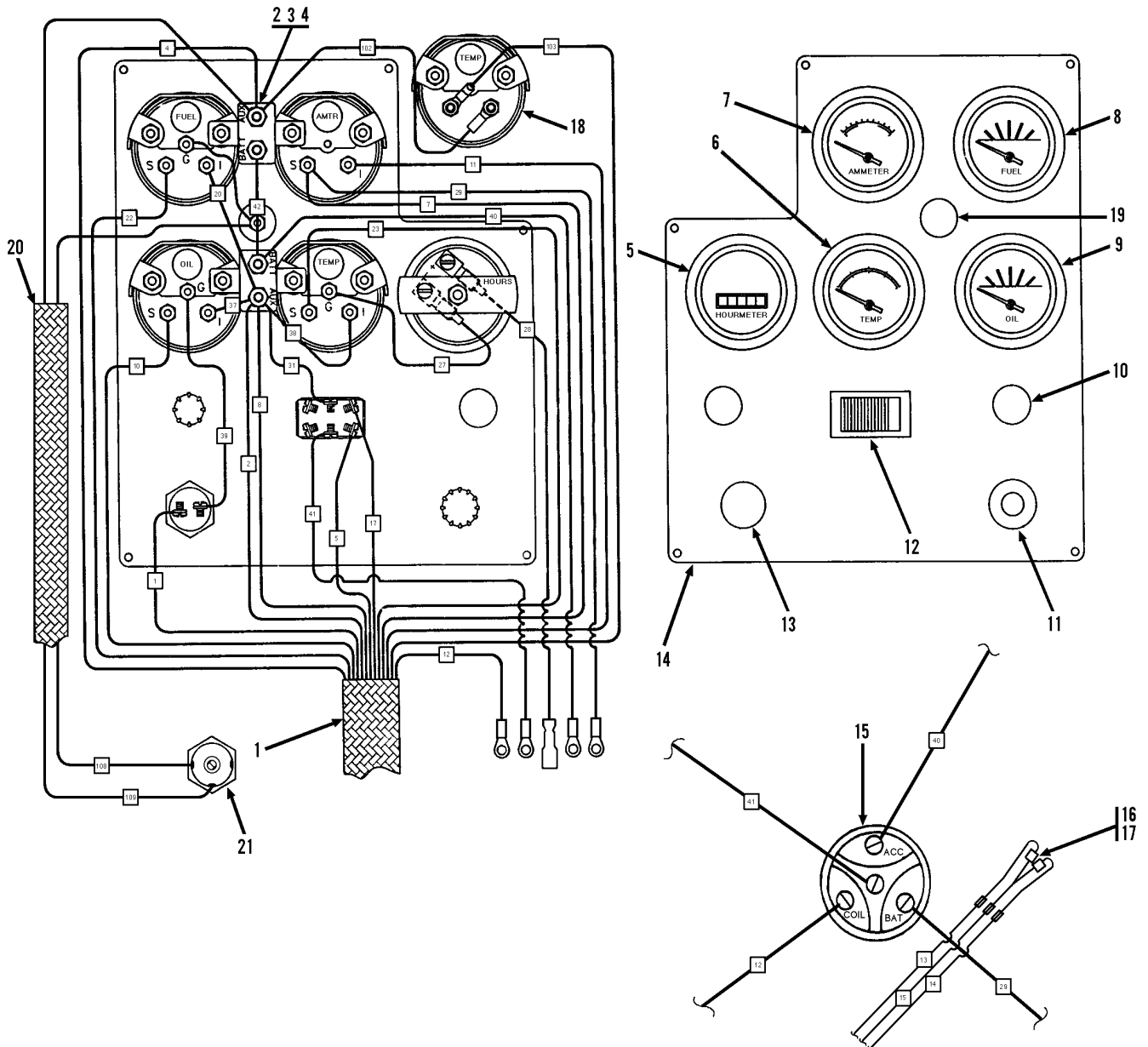
Item	Part No.	Qty.	Description Of Part	Item	Part No.	Qty.	Description Of Part
	9104-3065	1	MAIN CONTROL VALVE ASSY, (includes all items)	14		2	O-RING
	9020-6417	AR	SEAL KIT, (includes items 31, 31b & 31c)	15	9104-4521	2	STOP COLLAR
	9104-4123	AR	SECTION SEAL KIT, (includes item 31b)	16	9104-4520	2	STOP SLEEVE
	9103-4159	AR	SPOOL SEAL KIT, (includes item 31c)	17	9104-4519	2	SPRING
	9020-6419	AR	RETAINER PLATE ASSY, (includes items 46 & 47)	18	9104-4518	2	SPRING
	9104-4509	AR	HRO POSITIONER SEAL KIT, (includes items 12, 14, 23 & 24)	19	9104-4517	2	POSITIONER SPUD
	9104-4526	AR	NR PLUG KIT, (includes items 41 & 42)	20	9104-4515	4	BONNET
	9104-4527	AR	NR PLUG SEAL KIT, (includes item 42)	21	9104-4513	4	SCREW, COUNTER SUNK
	9020-6427	3	NEUTRAL POSITIONER KIT, (includes items 2 thru 9)	22	9104-4514	4	TRAVEL STOP
	9104-4510	2	HRO POSITIONER KIT, SPOOL POSITIONER END, (includes items 12 thru 26)	23		4	O-RING
	9104-4534	2	HRO POSITIONER KIT, CLEVIS END, (includes items 13, 20 thru 26, 43, 44 & 45)	24		4	BACK-UP RING
	9104-4530	AR	WHTYPE PORT RELIEF VALVE SEAL KIT, (includes items 36)	25	9104-4512	2	SCREW
	9104-4533	AR	WHA PORT RELIEF VALVE SEAL KIT, (includes item 34)	26	9104-4511	4	BOOT
	9103-4236	AR	MAIN RELIEF VALVE SEAL KIT, (includes item 49)	27	9104-4119	1	TILT SECTION
1	9104-4114	1	COVER PLATE ASSY, (left end), (includes items 48 & 49)	28	9104-4121	1	CROWD SECTION
2		3	O-RING	29	9104-4122	1	LIFT SECTION
3		3	WASHER	30	9104-4535	5	LOAD CHECK PLUG
4		3	SPRING COLLAR	31		5	O-RING
5		3	SPRING	32		5	SPRING
6		3	SPOOL COLLAR	33		5	POPPET
7		3	BONNET	34		AR	WHA RELIEF SEALS
8		6	LOCKWASHER	35	9104-4531	2	WHA RELIEF, (1500 p.s.i.)
9		6	SCREW	36		AR	WH RELIEF SEALS
10	9020-6421	1	SWAY SECTION	37	9104-4529	1	WH RELIEF, (2650 p.s.i.)
11	9104-4117	1	AUXILIARY SECTION	38	9104-4532	2	WHA RELIEF, (3250 p.s.i.)
12		4	O-RING	39	9104-4124	1	COVER PLATE ASSY, (right end)
13	9104-4516	4	SEAL PLATE	40	9104-4125	1	STUD ASSY, (includes four studs & four nuts), (lubricate and torque to 23- 27 ft. lbs.)
				41	9104-4526	5	NR PLUG
				42		AR	NR PLUG SEALS
				43	9108-4232	16	BEARING PLATE
				44	9108-4231	16	LOCKWASHER
				45	9104-4522	16	HEX HDCAPSCREW, 1/4-20X3-1/2
				46		12	CAPSCREW
				47		3	RETAINER PLATE
				48	9020-8136	1	MAIN RELIEF VALVE ASSY
				49	9103-4236	1	MAIN RELIEF SEALS
							NOTE: ONLY ITEMS WITH PART NUMBERS ARE AVAILABLE FOR SERVICE.

GRADALL®
MATERIAL HANDLER
534B-9

ELECTRICAL
Dash Wiring
 Starting Serial No. 0144860S
 Original Issue 10-90
 Revised 6-27-07

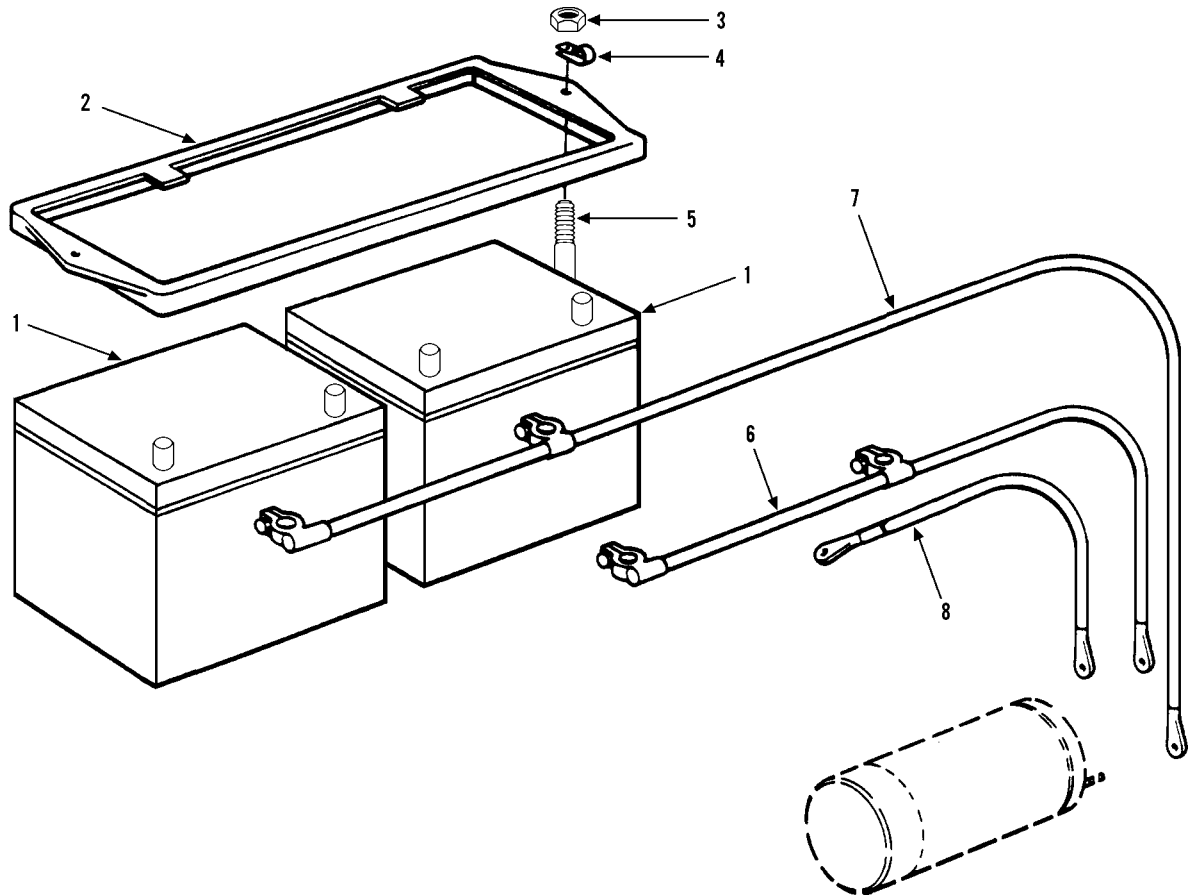


Item	Part No.	Qty.	Description Of Part	Item	Part No.	Qty.	Description Of Part
	9103-5068	1	INSTRUMENT PANEL ASSY, (includes all items except items 2, 12 & 14)	8	9020-0506	1	CIRCUIT BREAKER
1	9103-3112	1	INSTRUMENT PANEL HARNESS	9	9103-3247	1	OIL PRESSURE GAUGE
2	9103-3282	1	TRANSMISSION TEMPERATURE GAUGE	10	8521-1041	1	PLUG BUTTON
3	9020-5685	1	AMP GAUGE	11	9020-0434	1	HORN SWITCH
4	9103-3111	1	CIRCUIT BREAKER	12	9103-3317	1	IGNITION SWITCH
5	9020-5686	1	FUEL GAUGE	*	7738-4578	1	KEY
6	9020-5688	1	HOURMETER	13	8666-1083	1	PLUG BUTTON
7	9020-5687	1	WATER TEMPERATURE GAUGE	14	9103-3383	1	DIODE ASSEMBLY
				15	8521-1041	1	PLUG BUTTON

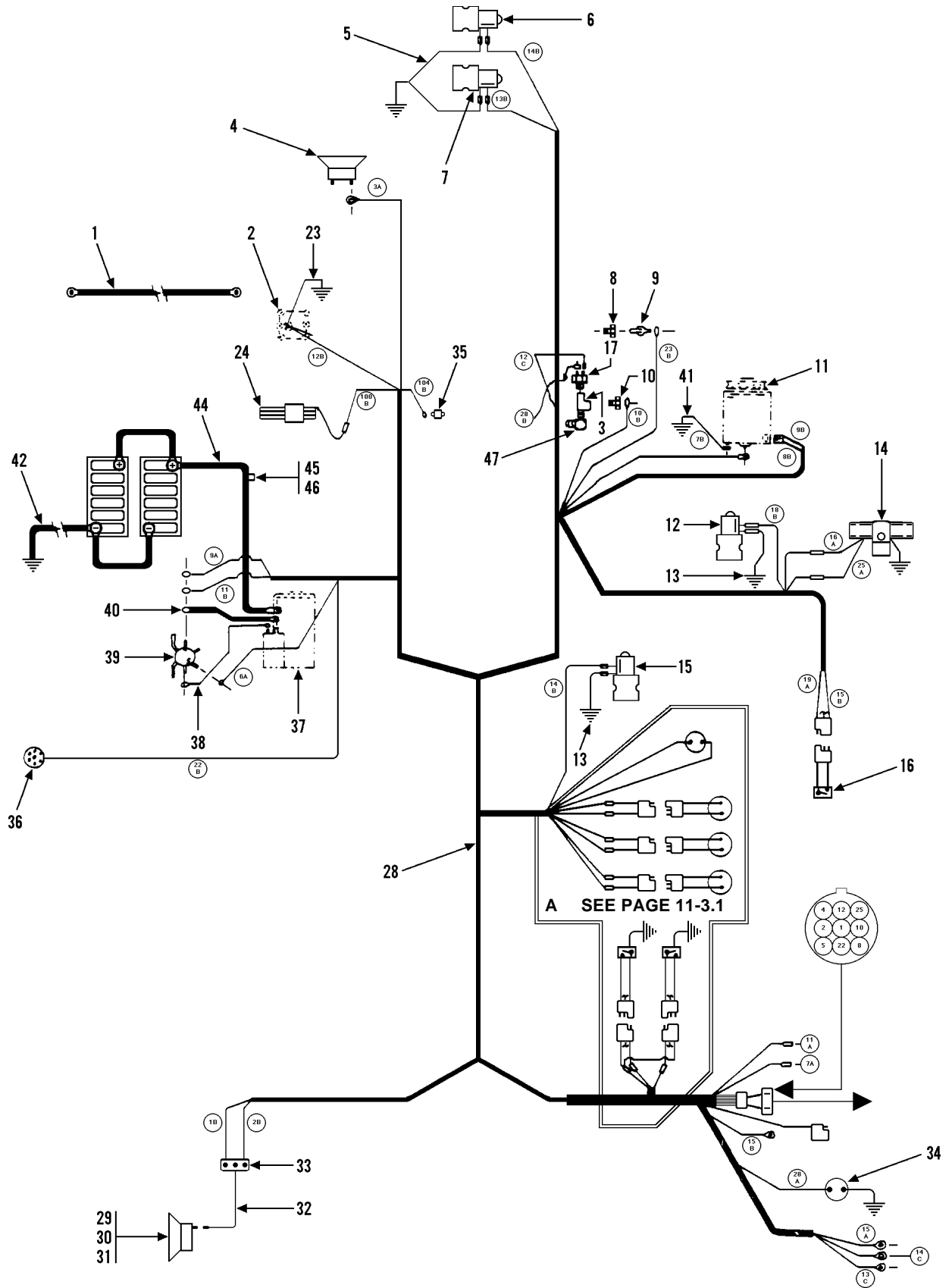


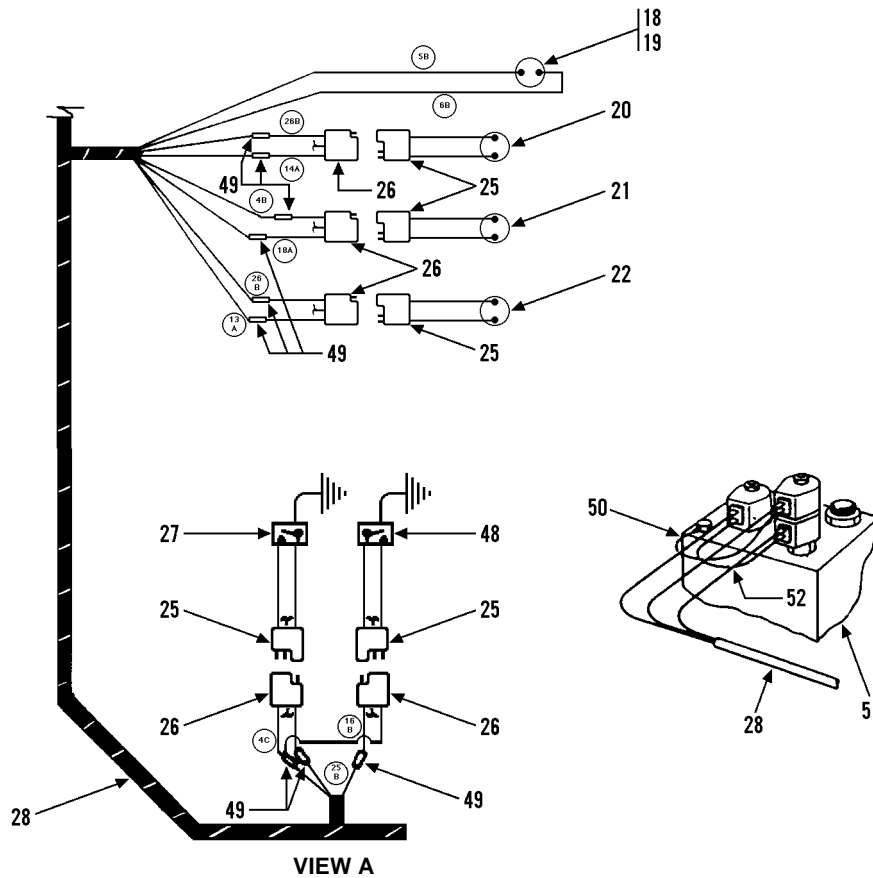
Item	Part No.	Qty.	Description Of Part
	9103-5068	1	INSTRUMENT PANEL ASSY (includes all items except items 15 thru 21)
1	9103-3112	1	INSTRUMENT PANEL HARNESS
2	9103-3111	2	CIRCUIT BREAKER
3	8855-4917	4	LOCKWASHER, #10X.062X.047
4	8850-1613	4	HEX NUT, #10-32
5	9020-5688	1	HOURLMETER
6	9020-5687	1	WATER TEMP. GAUGE
7	9020-5685	1	AMMETER
8	9020-5686	1	FUEL GAUGE
9	9103-3247	1	OIL PRESSURE GAUGE

Item	Part No.	Qty.	Description Of Part
10	9108-3221	1	PLUG BUTTON, 5/8 HOLE
11	9020-0434	1	BUTTON SWITCH
12	9108-3259	1	ROCKER SWITCH
13	8521-1041	1	PLUG BUTTON, 3/4 HOLE
14	9104-1632	1	INSTRUMENT PANEL
15	9103-3317	1	IGNITION - START SWITCH
*	7738-4578	1	KEY
16	9103-3383	1	DIODE ASSY
17	9002-7187	1	TY-RAP
18	9103-3282	1	TRANSMISSION TEMP. GAUGE
19	9103-3084	1	BRAKE WARNING LIGHT
20	9104-5033	1	BRAKE LIGHT HARNESS
21	9103-3416	1	PRESSURE SWITCH

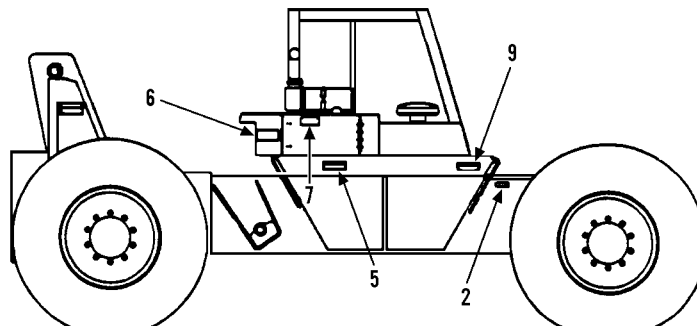
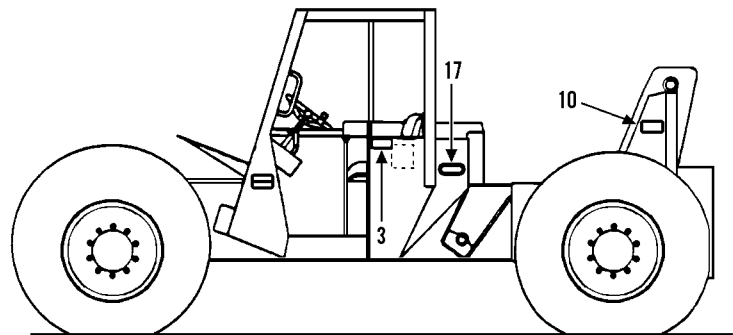
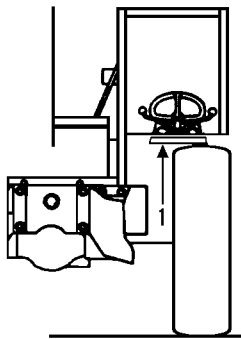
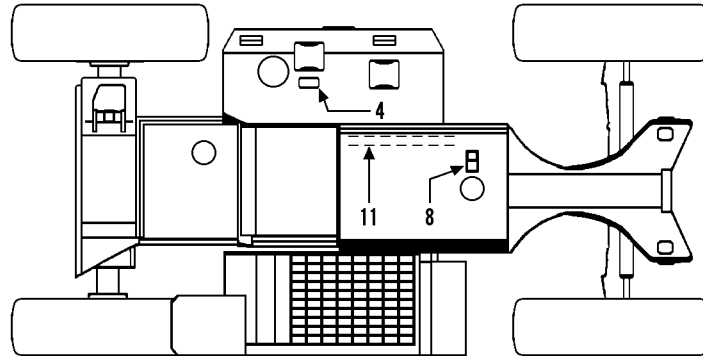


Item	Part No.	Qty.	Description Of Part
* 1	9020-3359	2	BATTERY, (12 volt, 590 amps), TOP STUD, BCI GROUP 27
2	9040-3432	1	BATTERY HOLD DOWN
3	7714-3006	2	LOCK NUT
4	8584-1094	1	SUPPORT CLAMP
5	9020-0382	2	HOLD-DOWN STUD
6	9103-3042	1	NEGATIVE BATTERY CABLE
7	9103-3086	1	POSITIVE BATTERY CABLE
8	9020-0811	1	GROUND CABLE

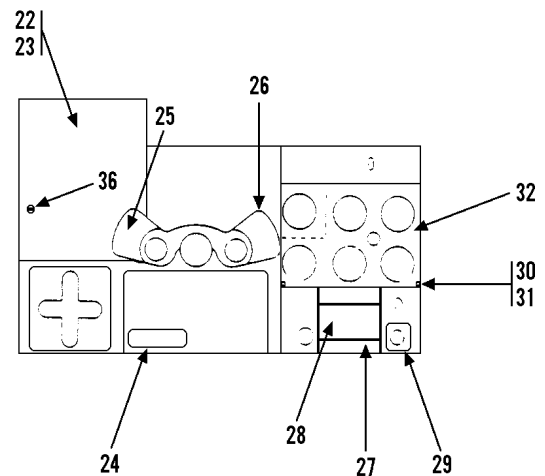
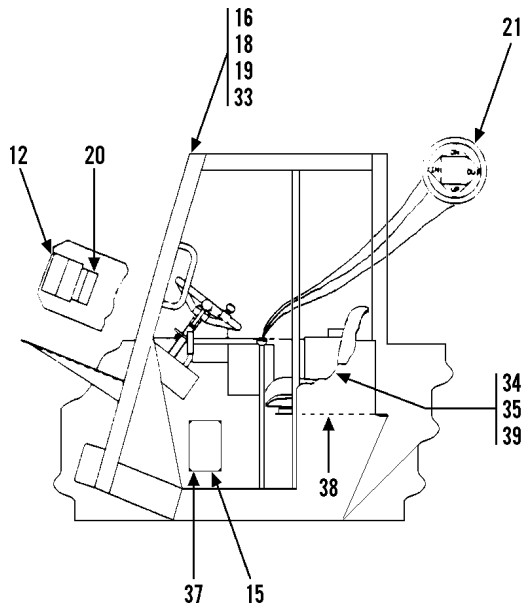




Item	Part No.	Qty.	Description Of Part	Item	Part No.	Qty.	Description Of Part
1	9020-0811	1	GROUND CABLE	26	8348-3113	6	3-WAY CONNECTOR (female)
2			FUEL SHUT-OFF SWITCH (supplied with engine)	27	9103-3202	1	FORWARD SWITCH
3	8871-2231	1	STREET TEE, 1/8	28	9103-3079	1	ENGINE FRAME HARNESS
4	7722-3003	1	BACKUP ALARM	29	2492-1393	1	HORN
5	9020-7717	1	JUMPER WIRE	30	2492-1394	1	BRACKET
6	9020-6739	1	SERIES SOLENOID VALVE	31	2492-1395	1	NUT
7	9020-6739	1	PARALLEL SOLENOID VALVE	32	9020-2886	1	JUMPER WIRE
8	8871-1383	1	REDUCING BUSHING, 1/2 X 3/8	33	8666-1084	1	HORN RELAY
9	9020-6124	1	WATER TEMPERATURE SENDER	34	9020-5688	1	HOURMETER
10	9103-3139	1	OIL PRESSURE SENDER	35	9103-3283	1	STARTING MOTOR
11	9103-3234	1	ALTERNATOR	36	9040-0654	1	FUEL LEVEL SENDER
12	9020-6739	1	CAVITATION SOLENOID VALVE	37	9103-3323	1	STARTING MOTOR
13	9020-7719	1	JUMPER WIRE	38	9020-5205	1	JUMPER WIRE
14	9103-3097	1	PILOT PRESSURE FORWARD/ REVERSE CONTROL VALVE	39	9040-2427	1	STARTER SOLENOID
15	9020-6739	1	LOW TORQUE INCHING SOLENOID	40	9020-7497	1	JUMPER CABLE
16	9103-3202	1	TRANSMISSION DISCONNECT SWITCH	41	9020-7630	1	JUMPER WIRE
17	2474-1047	1	HOURMETER SWITCH	42	9103-3042	1	GROUND CABLE
18	9020-4973	1	NEUTRAL START SWITCH	43		2	BATTERY (purchase locally)
19	8998-1036	2	PAN HD SCREW	44	9103-3086	1	POSITIVE CABLE
20	9103-5112	1	SECOND GEAR SWITCH	45	8584-1094	1	CLAMP
21	9103-5112	1	THIRD GEAR SWITCH	46	7710-3006	2	NUT
22	9103-5112	1	FIRST GEAR SWITCH	47	8869-1345	1	ELBOW, 90 DEGREES
23	9103-1197	1	JUMPER WIRE	48	9103-3202	1	REVERSE SWITCH
24	9103-3270	1	PRIMER PUMP	49	8668-3480	9	CRIMP-ON CONNECTOR
25	8348-3114	6	3-WAY CONNECTOR (male)	50	9104-1554	1	JUMPER WIRE
				51	9104-5097	1	SERIES-PARALLEL CONTROL VALVE (see page 10-10 for details)
				52	9104-5035	1	JUMPER WIRE

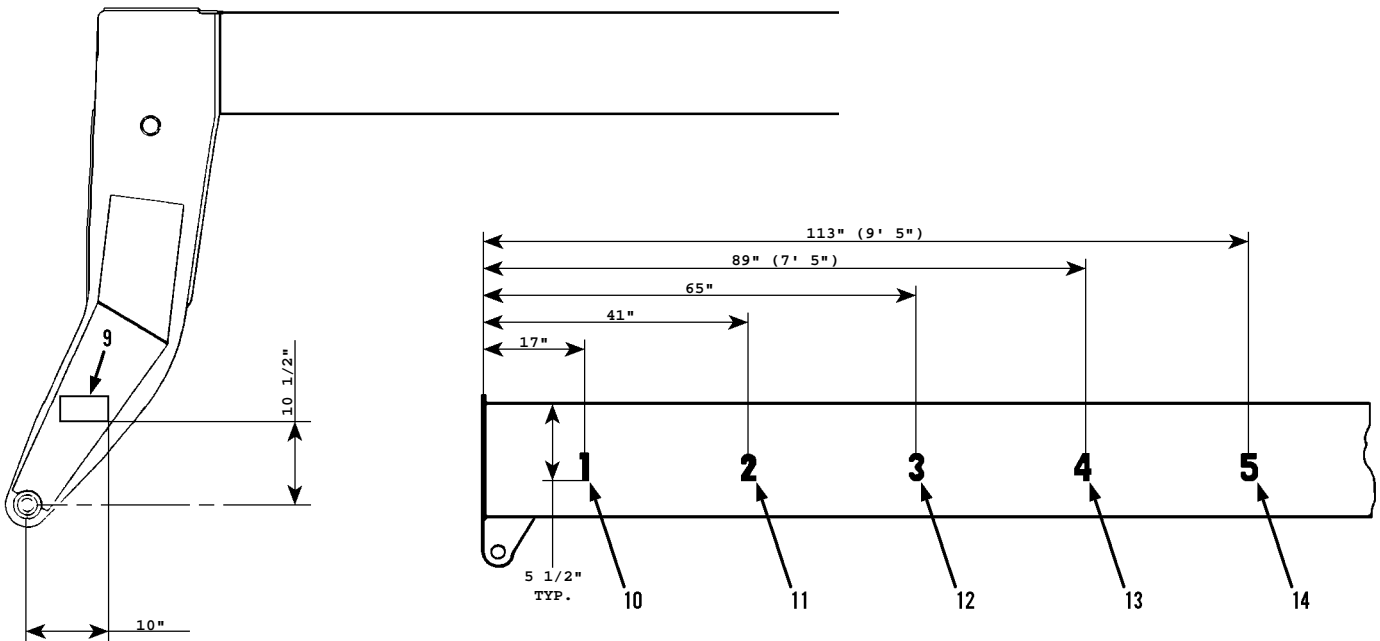
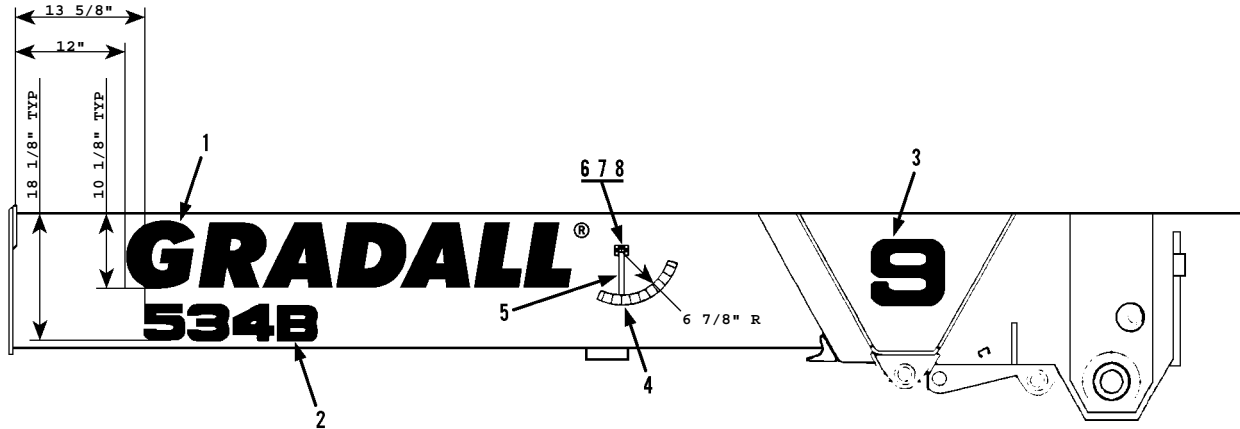


**NOTE: DECAL KIT 9103-5225 INCLUDES ALL
DECALS SHOWN ON PAGES 12-1 & 12-2.**

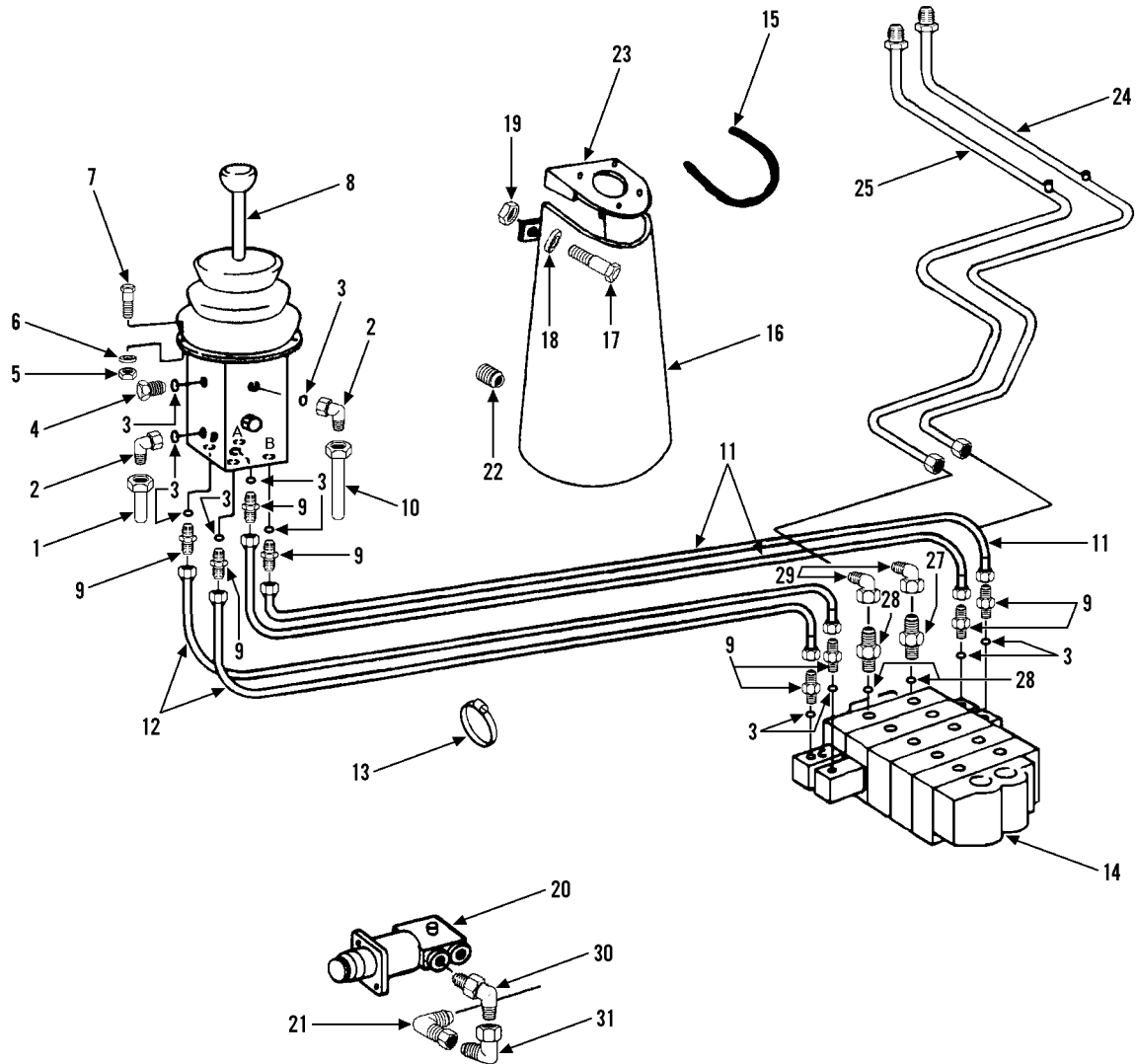


Item	Part No.	Qty.	Description Of Part
1	8364-1675	1	"GRADALL" DECAL, WHITE
	7733-3011	1	"GRADALL" DECAL, BLACK
2	7702-3007	1	BATTERY DECAL
3	7733-3027	1	MADE IN U.S.A. DECAL
4	7702-3006	1	HYDRAULIC OIL DECAL
5	9100-3052	1	WARNING DECAL
6	9103-3011	1	HANDS WARNING DECAL
7	7734-3018	1	HOT EXHAUST WARNING DECAL
8	9104-3210	1	COOLING SYSTEM CAUTION DECAL
9	9104-3211	2	RIDER WARNING DECAL
10	9104-3209	2	PINCH POINT WARNING DECAL
11	9104-3206	1	ACCUMULATOR CAUTION DECAL
12	8360-1011	1	ACCIDENT PREVENTION
13	9106-3047	1	WARNING DECAL
14	9100-3030	1	PATENT
15	9103-3279	1	SERIAL NO. & ATTACHMENT PLATE
16	8852-1204	1	HEX LOCKNUT, 1/4-20
17	9103-3396	1	534B SERVICE DECAL
18	8856-1107	1	FLAT WASHER, 1/4
19	8820-4912	1	HEX HD CAPSCREW, 1/4-20 X 1, GR5
20	9104-3215	1	WARNING DECAL

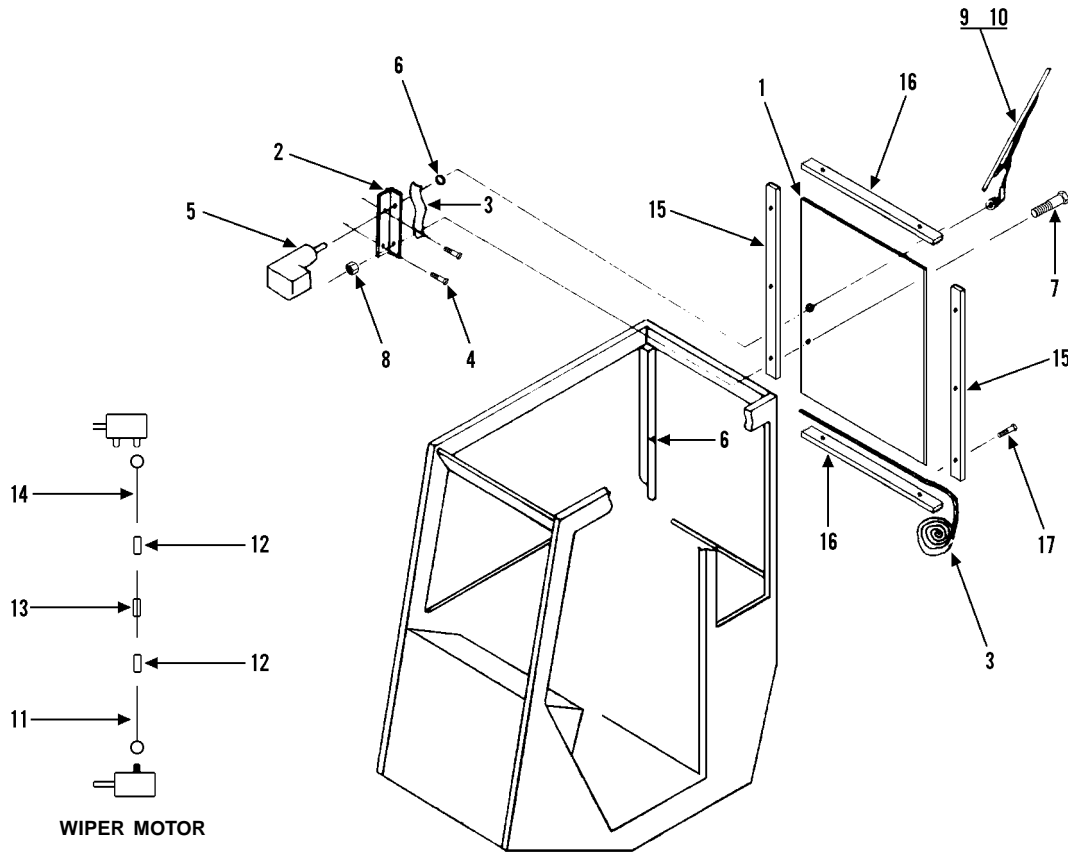
Item	Part No.	Qty.	Description Of Part
21	9100-3044	1	BOOM DIRECTION DECAL
22	9103-3395	1	534B-9 CAPACITY DECAL
23	9020-7488	1	LOAD CHART MOUNTING PLATE
24	9103-3418	1	TORQUE HUB DECAL
25	9100-3040	1	FORWARD-REVERSE DECAL
26	9100-3039	1	SHIFT DECAL
27	9103-3431	1	CAUTION DECAL
28	9103-3362	1	CAUTION DECAL
29	9103-3089	1	HORN DECAL
30	9103-3277	4	RUBBER SPACER
31	8832-1019	4	SELF-TAPPING SCREW, #6-32 X 1
32	9103-3255	1	GAUGE PROTECTOR
33	9103-3320	1	TILT GAUGE
34	8830-1193	4	ROUND HD MACHINE SCREW, #10-32 X 1/2
35	8855-4900	4	LOCKWASHER, 1/4
36	8830-2128	2	ROUND HD MACHINE SCREW, 1/4-20 X 1
37	8834-4901	4	DRIVE SCREW, #10 X 1/2
38	9104-3129	1	PARKING BRAKE DECAL
39	9103-3102	1	MANUAL HOLDER



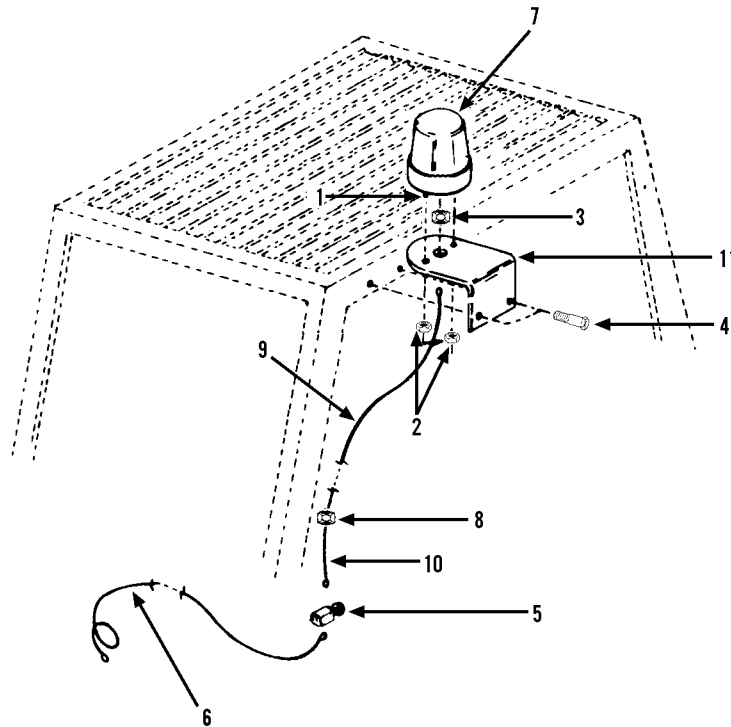
Item	Part No.	Qty.	Description Of Part	Item	Part No.	Qty.	Description Of Part
1	9112-3037	2	"GRADALL" DECAL, WHITE	9	9103-3023	1	QUICK SWITCH DECAL
	9112-3038	2	"GRADALL" DECAL, BLACK		10	9100-3016	1
2	9103-3392	2	"534B" DECAL, WHITE	9104-3134		1	"1" DECAL, BLACK
	9103-3393	2	"534B" DECAL, BLACK	11	9100-3018	1	"2" DECAL, WHITE
3	9103-3018	2	"9" DECAL, WHITE		9104-3135	1	"2" DECAL, BLACK
	9103-3218	2	"9" DECAL, BLACK	12	9112-3042	1	"3" DECAL, WHITE
4	9100-3031	1	BOOM ANGLE DECAL, WHITE		9112-3043	1	"3" DECAL, BLACK
	5	9020-0445	1	PENDULUM	13	9100-3020	1
9020-0688		1	BEARING	9104-3136		1	"4" DECAL, BLACK
6	9020-0688	1	BEARING	14	9112-3044	1	"5" DECAL, WHITE
7	9002-6491	1	SHOULDER BOLT, 1/4-20		9112-3045	1	"5" DECAL, BLACK
8	8856-1108	1	FLAT WASHER, 5/16				



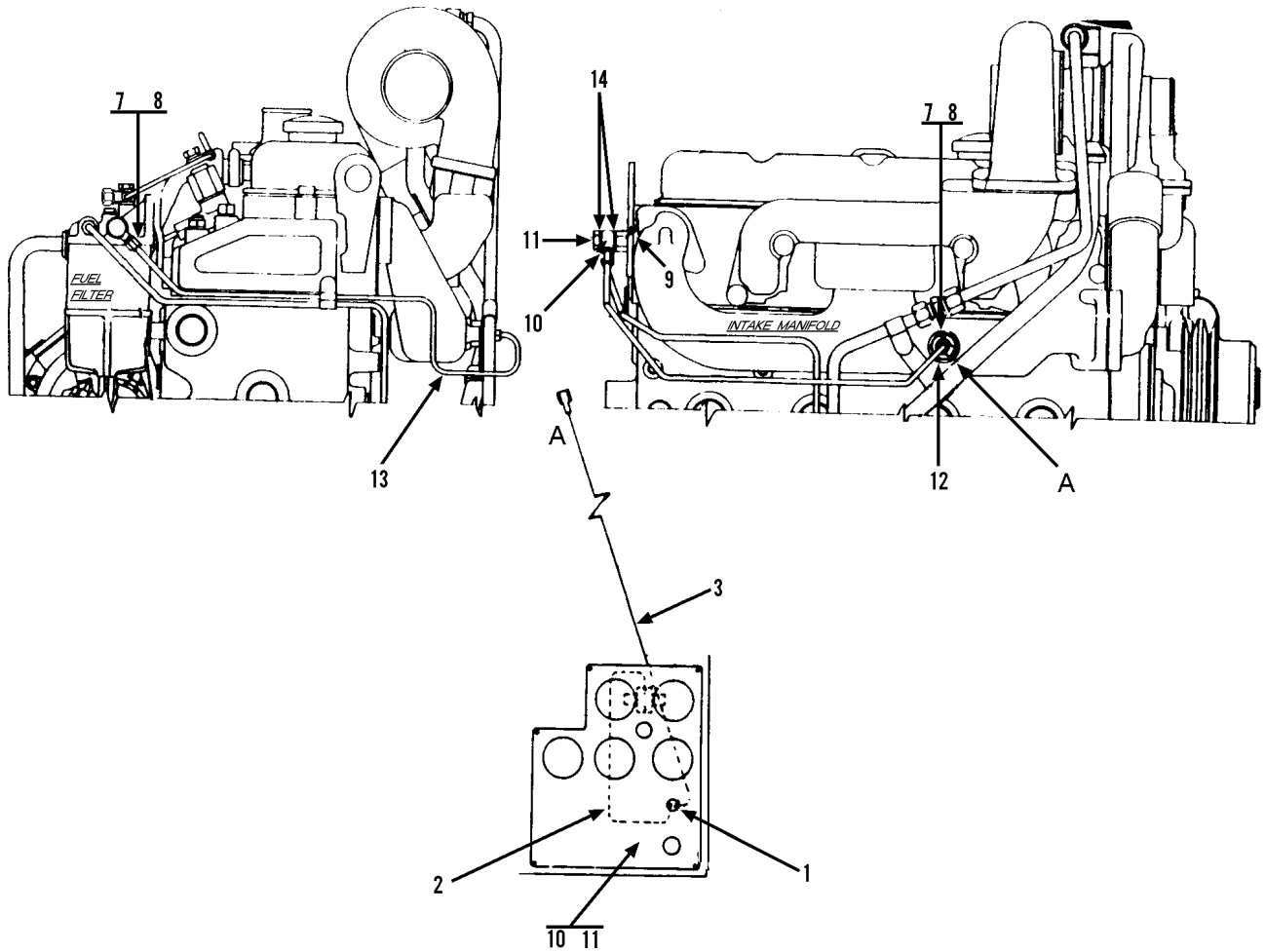
Item	Part No.	Qty.	Description Of Part	Item	Part No.	Qty.	Description Of Part
	9104-5173	Ref	JOYSTICK INSTALLATION, (includes all items)	15	9020-6194	17"	TRIM LOK
1	8471-7587	1	HOSE ASSY	16	9104-6056	1	JOYSTICK COVER
2	8866-2064	2	ELBOW, 90 DEGREES, (includes item #3)	17	8820-1018	2	HEX HD CAPSCREW, 5/16-18 X 3/4, GR5
3	8859-1204	12	O-RING	18	8850-1010	2	LOCKWASHER, 5/16
4	8866-2174	2	HEX HD PLUG, (includes item #3)	19	8850-1005	2	HEX NUT, 5/16-18
5	8850-1004	4	HEX NUT, 1/4-20	20	9108-3154	1	BRAKE VALVE
6	8855-1009	4	LOCKWASHER, 1/4	21	8866-2105	1	ELBOW, 90 DEGREES, (swivel nut)
7	8820-1004	4	HEX HD CAPSCREW, 1/4-20 X 7/8, GR5	22	8505-1384	2	WELD STUD, 5/16-18 X 1
* 8		Ref	HYDRAULIC CONTROLLER ASSY, (see page 13-25 for details)	23	9104-6047	1	JOYSTICK MOUNT WELDMENT
9	8866-2005	8	CONNECTOR, (includes item #3)	24	9104-3095	1	TUBE ASSY
10	7713-3167	1	HOSE ASSY	25	9104-3096	1	TUBE ASSY
11	8471-7458	2	HOSE ASSY	26	8866-2038	1	CONNECTOR, (includes item #28)
12	8471-7519	2	HOSE ASSY	27	8866-2008	1	CONNECTOR, (includes item #28)
13	9002-7187	7	NYLON TIE WRAP	28	8859-1207	2	O-RING
14		Ref	MAIN CONTROL VALVE, (see page 10-27 for details)	29	8866-2108	2	ELBOW, 90 DEGREES, (swivel nut)
				30	8866-2064	1	ELBOW, 90 DEGREES, (includes O-ring)
					8859-1204	1	O-RING
				31	7713-1088	1	ELBOW, 90 DEGREES



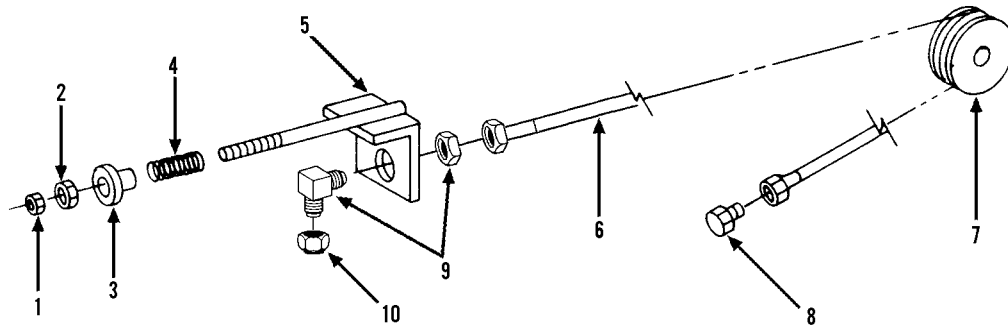
Item	Part No.	Qty.	Description Of Part
	9040-3109		REAR WIPER INSTALLATION (includes items 2 through 14)
1	9040-3025	Ref	REAR WINDOW
2	9020-6025	1	WIPER MOTOR MOUNT
3	9020-0755	AR	WEATHER STRIPPING
4	9002-7319	2	SELF TAPPING SCREW, 1/4-20 X 1
5	9020-6023	1	WIPER MOTOR
6	9002-6024	1	WIPER BLADE
7	8820-1003	1	HEX HD CAPSCREW, 1/4-20 X 3/4, GR5
8	8850-1004	1	HEX NUT, 1/4-20
9	9020-6024	1	WIPER BLADE
10	9020-6374	1	WIPER ARM
11	9020-6312	1	JUMPER WIRE
12	8668-3480	2	CRIMP-ON CONNECTOR
13	9020-3376	1	FUSE
14	9020-0349	1	JUMPER WIRE
15	9020-6019	Ref	WINDOW HOLD-DOWN BAR
16	9020-6016	Ref	WINDOW HOLD-DOWN BAR
17	9002-7315	Ref	SELF TAPPING SCREW, 1/4-20 X 1-1/4



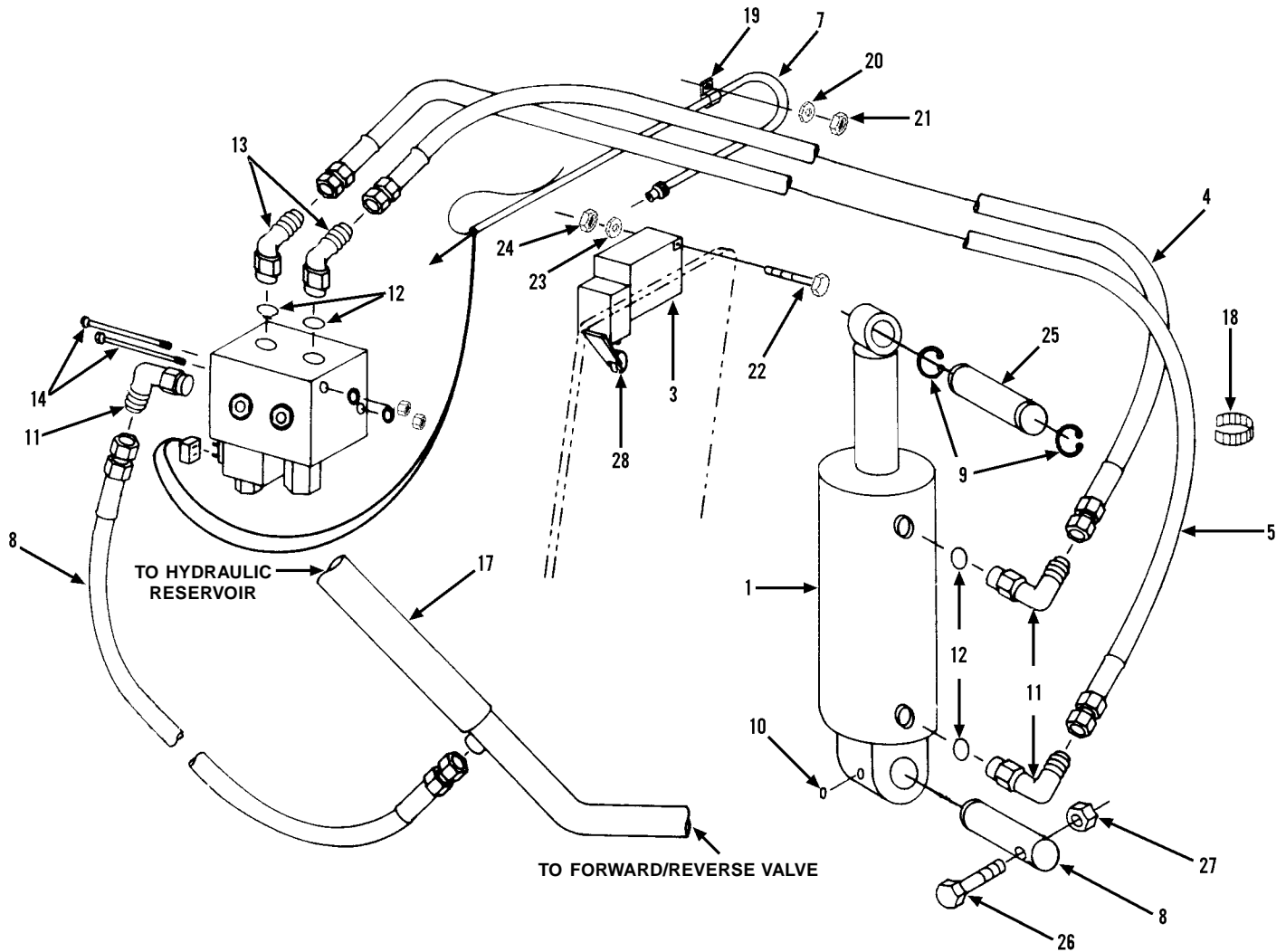
Item	Part No.	Qty.	Description Of Part
	9103-5007		ROTATING BEACON ASSY (includes all items)
1	8820-1014	2	HEX HD CAPSCREW, 1/4-20 X 3-1/4, GR5
2	8850-1004	2	HEX NUT, 1/4-20
3	9002-7214	2	BUTTON GROMMET
4	9002-7316	3	SELF TAPPING SCREW
5	9020-0171	1	SWITCH
6	9020-0352	1	JUMPER WIRE
7	9020-0685	1	ROTATING BEACON
8	9020-2303	1	BUTTON GROMMET
9	9020-6132	1	JUMPER WIRE
10	9020-6133	1	JUMPER WIRE
11	9040-0706	1	BEACON BRACKET



Item	Part No.	Qty.	Description Of Part
	9103-5105		GLOW PLUG INSTALLATION (includes all items below)
1	2477-1004	1	PUSH BUTTON SWITCH
2	9103-1277	1	JUMPER WIRE
3	9103-1278	1	JUMPER WIRE
4	9103-3251	1	BUTTON DECAL
5	9103-3252	1	INSTRUCTION DECAL
6	9103-3250	1	GLOW PLUG KIT (consists of items 7 through 14)
7	NSS	2	TUBE NUT
8	NSS	2	RUBBER FERRULE
9	NSS	1	VALVE
10	NSS	1	CONNECTOR
11	NSS	1	BOLT
12	NSS	1	HEATER
13	NSS	1	TUBE
14	NSS	3	WASHER
			* NOTE: Switch assembly, switch plate, and decal sheet, which are part of the above kit, are not used in this installation.



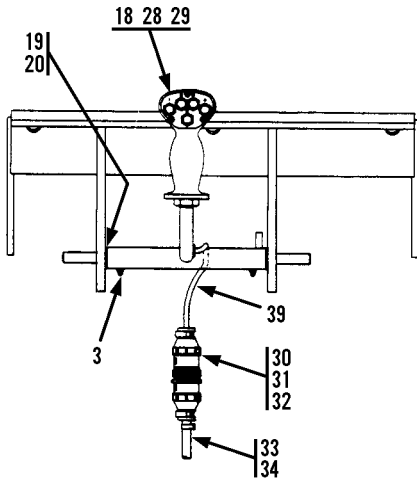
Item	Part No.	Qty.	Description Of Part
	9103-5133	Ref	WINCH DRAIN LINE PARTS (includes all items)
1	8850-1108	1	HEX JAM NUT, 1/2-13
2	8850-1008	1	HEX NUT, 1/2-13
3	9020-7041	1	SPRING RETAINER
4	9020-0313	1	SPRING
5	9040-3249	1	HOSE TAKE-UP WELDMENT
6	9020-6888	1	HOSE ASSY
7	9104-3101	1	HOSE TAKE-UP SHEAVE
8	8866-1385	1	HEX HD PLUG, 1/2
9	9002-7180	1	90 DEGREE BULKHEAD FITTING (includes nut)
10	8866-1365	1	HEX CAP, 1/2



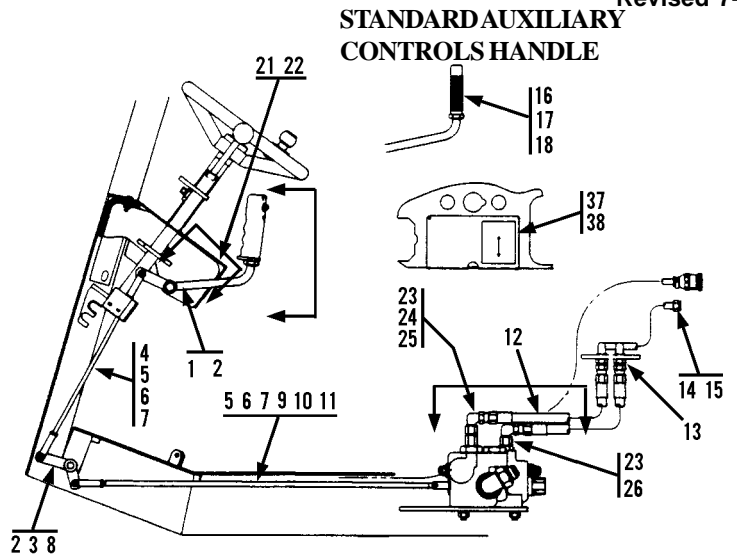
Item	Part No.	Qty.	Description Of Part	Item	Part No.	Qty.	Description Of Part
1	9103-5236	1	STABILIZER OPTION (includes all items except #17)	14	8320-1073	2	HEX HD CAPSCREW, 3/8-16 X 4-1/2
		1	STABILIZER CYLINDER ASSY (see page 13-15 for details)	15	8855-1011	2	LOCKWASHER, 3/8
2	9111-3003	1	STABILIZER VALVE	16	8850-1006	2	HEX NUT, 3/8-16
3	9104-3123	1	SWITCH (includes item #28)	17	9104-3144	1	DUMP TUBE
4	8471-7847	1	HOSE ASSY	18	9002-7187	6	TIE WRAP
5	8471-7848	1	HOSE ASSY	19	9002-1705	1	TUBE CLAMP
6	8471-6426	1	HOSE ASSY	20	8856-1002	1	FLAT WASHER, 1/4
7	9104-5034	1	BOOM SWITCH HARNESS	21	8852-1204	1	HEX LOCKNUT, 1/4-20
8	9112-1017	1	PIN	22	8830-1099	2	ROUND HD MACHINE SCREW, #10-24 X 1-3/4
9	8858-1140	2	RETAINING RING	23	8855-1007	2	LOCKWASHER, #10
10	8867-1008	2	LUBE FITTING, STRAIGHT, 1/4-28	24	9104-3199	2	SQUARE NUT, #10-24
11	8866-2065	3	ELBOW, 90 DEGREES (includes item #12)	25	9104-1227	1	PIN
12	8859-1205	5	O-RING	26	8820-1044	1	HEX HD CAPSCREW, 3/8-16 X 3-1/4, GR5
13	8866-2085	2	ELBOW, 45 DEGREES (includes item #12)	27	8852-1206	1	HEX LOCKNUT, 3/8-16
				28	9104-4475	1	LEVER/ROLLER ASSY

GRADALL®
MATERIAL HANDLER
534B-9

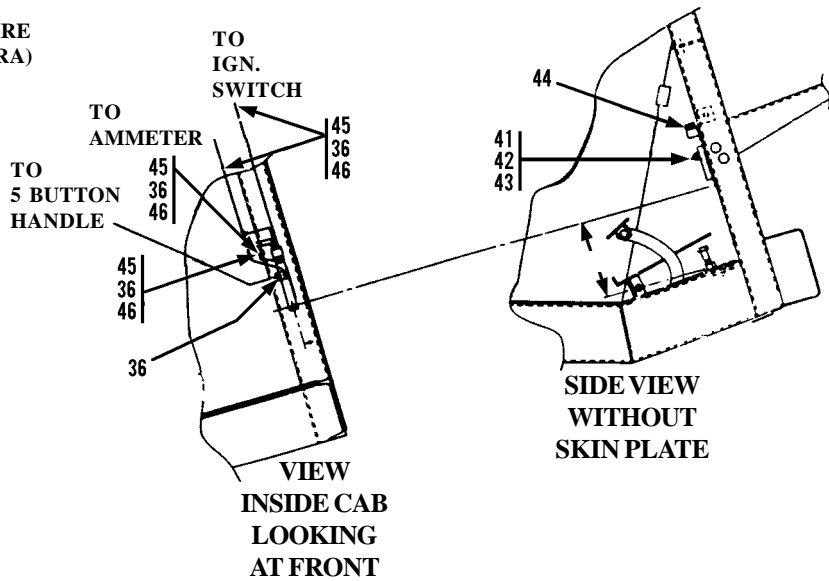
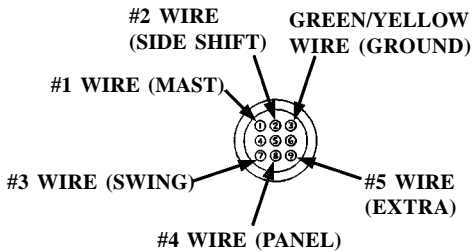
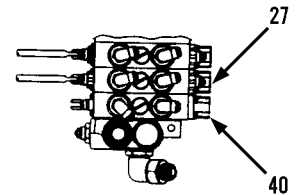
OPTIONAL EQUIPMENT
Auxiliary Controls Assembly
 Starting Serial No. 0144860S
 Original Issue 10-90
 Revised 7-92



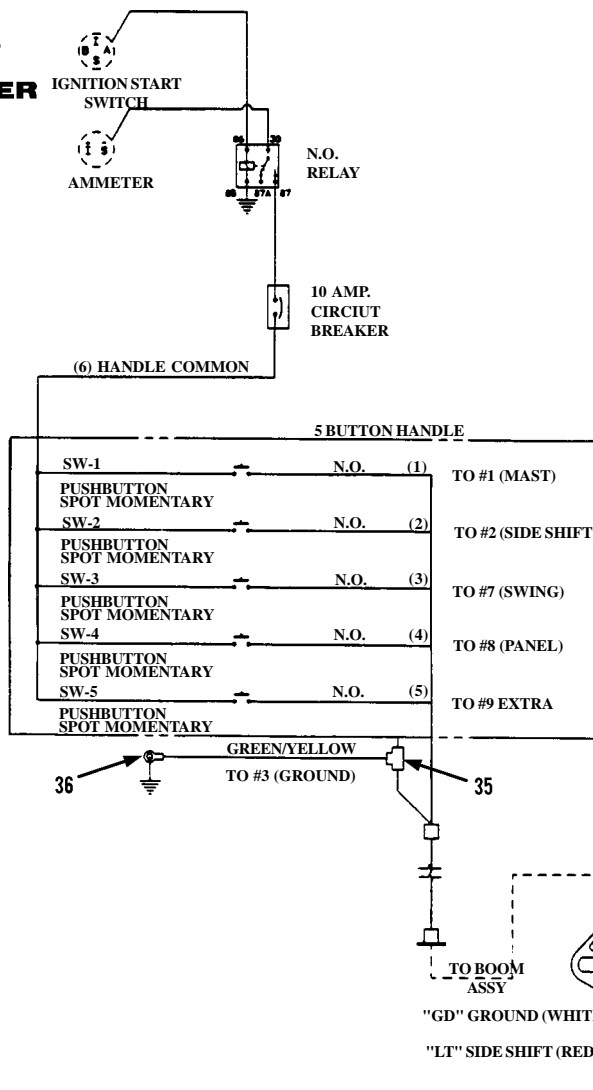
VIEW A-A



THIS OPTION DRAWS
 APPROX. 2 AMPS. TOTAL

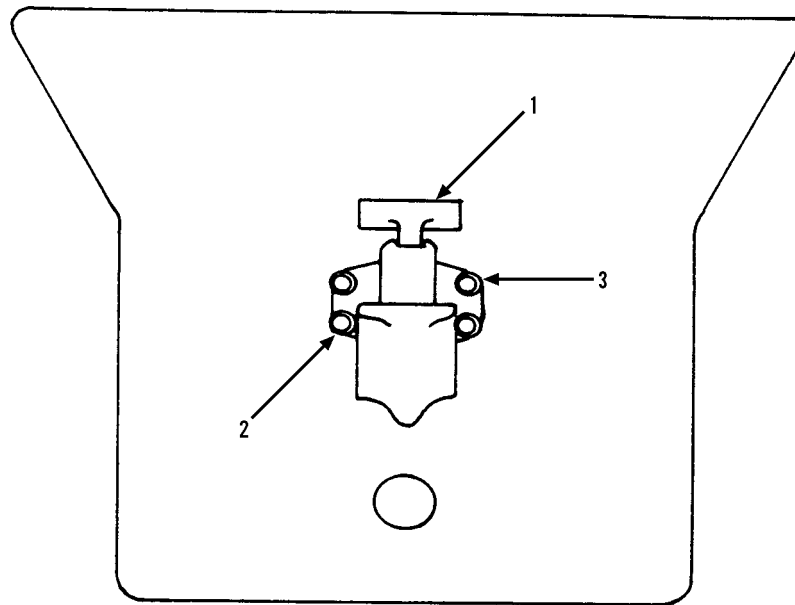


GRADALL®
MATERIAL HANDLER
534B-9

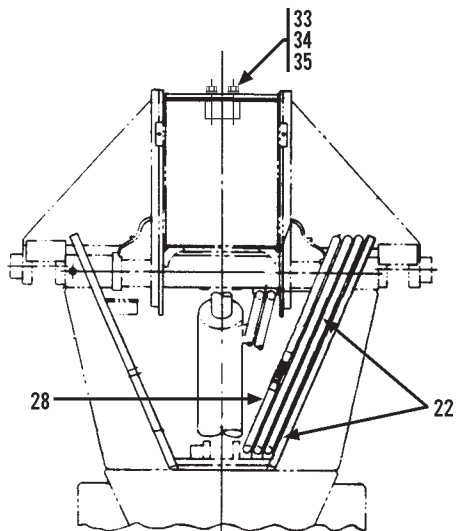
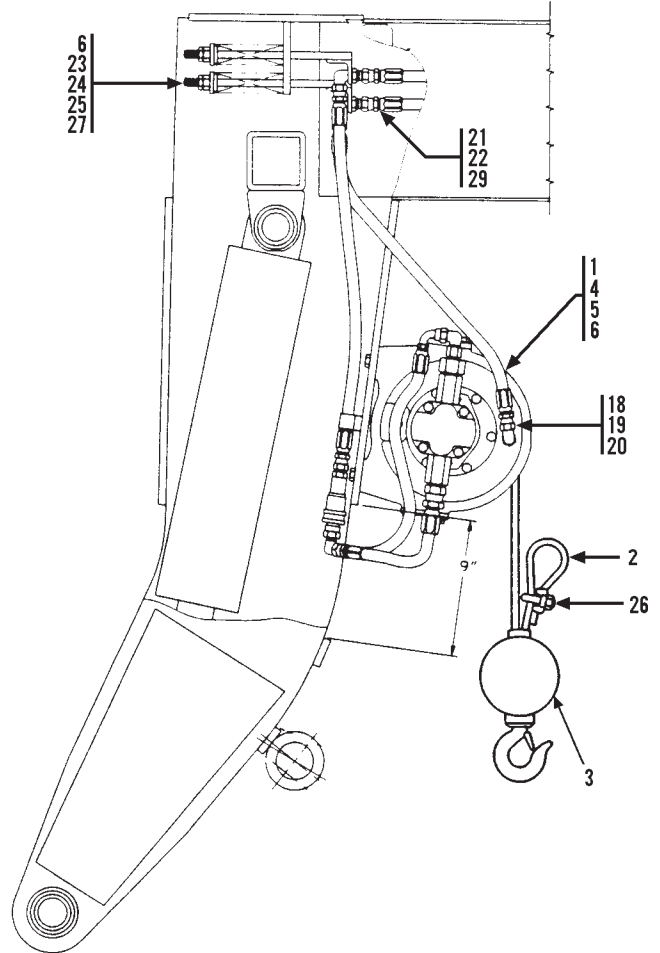
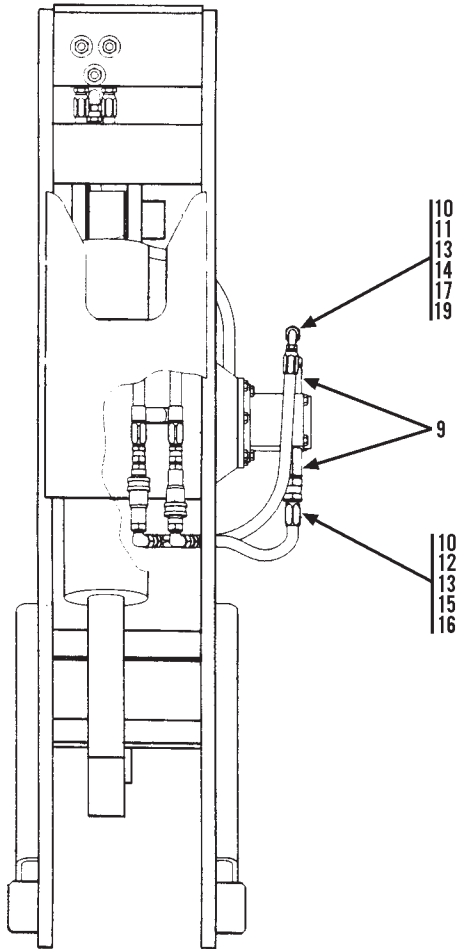


OPTIONAL EQUIPMENT
Auxiliary Controls Assembly
 Starting Serial No. 0144860S
 Original Issue 10-90
 Revised 7-92

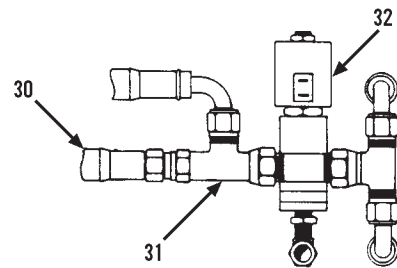
Item	Part No.	Qty.	Description Of Part	Item	Part No.	Qty.	Description Of Part
	9103-5220	Ref	AUXILIARY CONTROLS ASSY (includes items 1 through 21, 23, 24, 25, 26, 38)	21	9103-1464	1	COVER PANEL
	9103-5221	Ref	AUXILIARY FIELD INSTALLATION (includes items 1 through 27 & item 40)	22	8832-1015	Ref	SELF-TAPPING SCREW, #6-32 X 1/2
	9103-5222	Ref	AUXILIARY ELECTRIC INSTALLATION (includes items 28 through 37, item 39 and items 41 through 46)	23	8866-2107	2	ELBOW, 90 DEGREES (swivel nut)
1	9103-6107	1	AUXILIARY HANDLE WELDMENT	24	8692-3006	1	ADAPTER, 3/4 X 5/8
2	9020-0290	4	BEARING	25	8866-2008	1	CONNECTOR (includes O-ring)
3	8867-1008	3	LUBE FITTING, STRAIGHT, 1/4-28		8859-1207	1	O-RING
4	9020-2361	1	LINKAGE ROD	26	8866-2022	1	CONNECTOR (includes O-ring)
5	8882-1004	3	ADJUSTABLE YOKE END		8859-1207	1	O-RING
6	9002-7987	3	SPRING CLEVIS	27	9103-3239	1	CONVERSION KIT
7	8850-1406	3	HEX JAM NUT, 3/8-24	28	9103-3387	1	5-BUTTON HANDLE
8	9020-5533	1	BELL CRANK	29	9103-3425	1	GROMMET
9	9104-6051	1	LINKAGE ROD	30	9002-8956	1	CONNECTOR BODY
10	9002-1552	1	CLEVIS PIN	31	9002-8958	6	TERMINAL
11	8863-1301	1	COTTER PIN, 1/16 X 1/2	32	9002-8978	1	CABLE CLAMP
12	9002-2043	2	HOSE ASSY	33	9040-3396	1	AUXILIARY WIRING HARNESS
13	9002-9938	2	90 DEGREE BULKHEAD ELBOW	34	9002-7187	4	TY-RAP
14	9000-7393	1	TUBE ASSY	35	9002-8968	1	CONNECTOR
15	9104-3196	1	TUBE ASSY	36	9103-3391	6	INSULATED RING TERMINAL
16	9103-1465	1	HANDLE INSERT	37	9103-3394	1	AUXILIARY CONTROL DECAL
17	9020-0774	1	HANDLE GRIP	38	9103-3417	1	AUXILIARY CONTROL DECAL
18	8850-1112	1	HEAVY HEX JAM NUT, 3/4-10	39	8203-3993	12"	LOOM, 5/16" I.D.
19	8856-1113	4	FLAT WASHER, 3/4	40	9103-3168	1	MAIN CONTROL VALVE
20	9002-8662	2	WAVE BEND WASHER	41	8688-3071	1	10 AMP CIRCUIT BREAKER
				42	7736-3191	1	CIRCUIT BREAKER BRACKET
				43	8832-1039	2	PAN HD SELF TAPPING SCREW, #10-32 X 1/2"
				44	7738-3410	1	RELAY
				45	8666-1147	AR	WIRE, BLACK 16 GAUGE
				46	7716-3102	4	INSULATED FEMALE SPADE



Item	Part No.	Qty.	Description Of Part
	9103-5101	Ref	PINTLE HOOK INSTALLATION (includes all items)
1	9020-0602	1	PINTLE HOOK
2	8320-1120	4	HEX HD CAPSCREW, 1/2-13 X 1-3/4
3	8855-1013	4	LOCKWASHER, 1/2



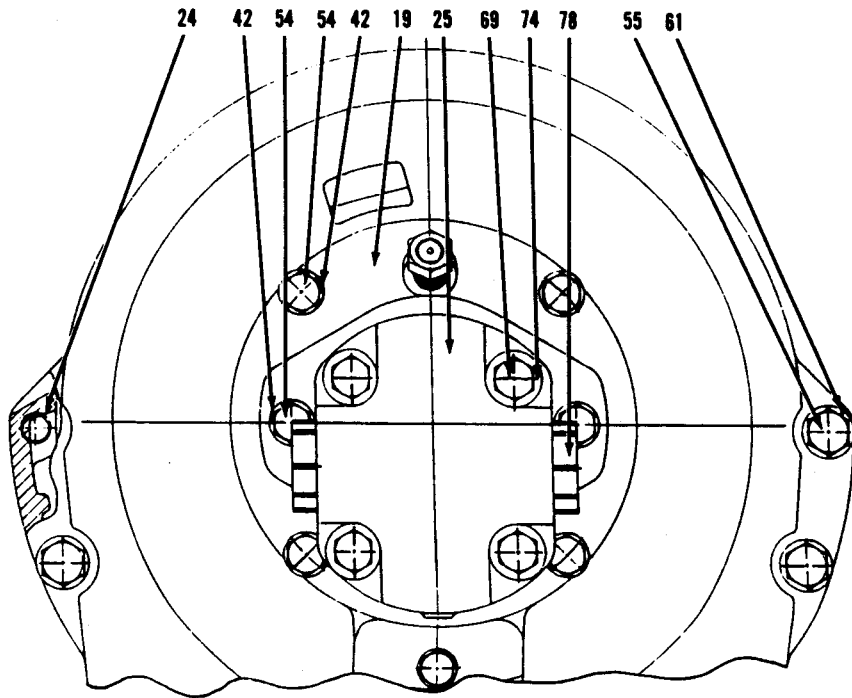
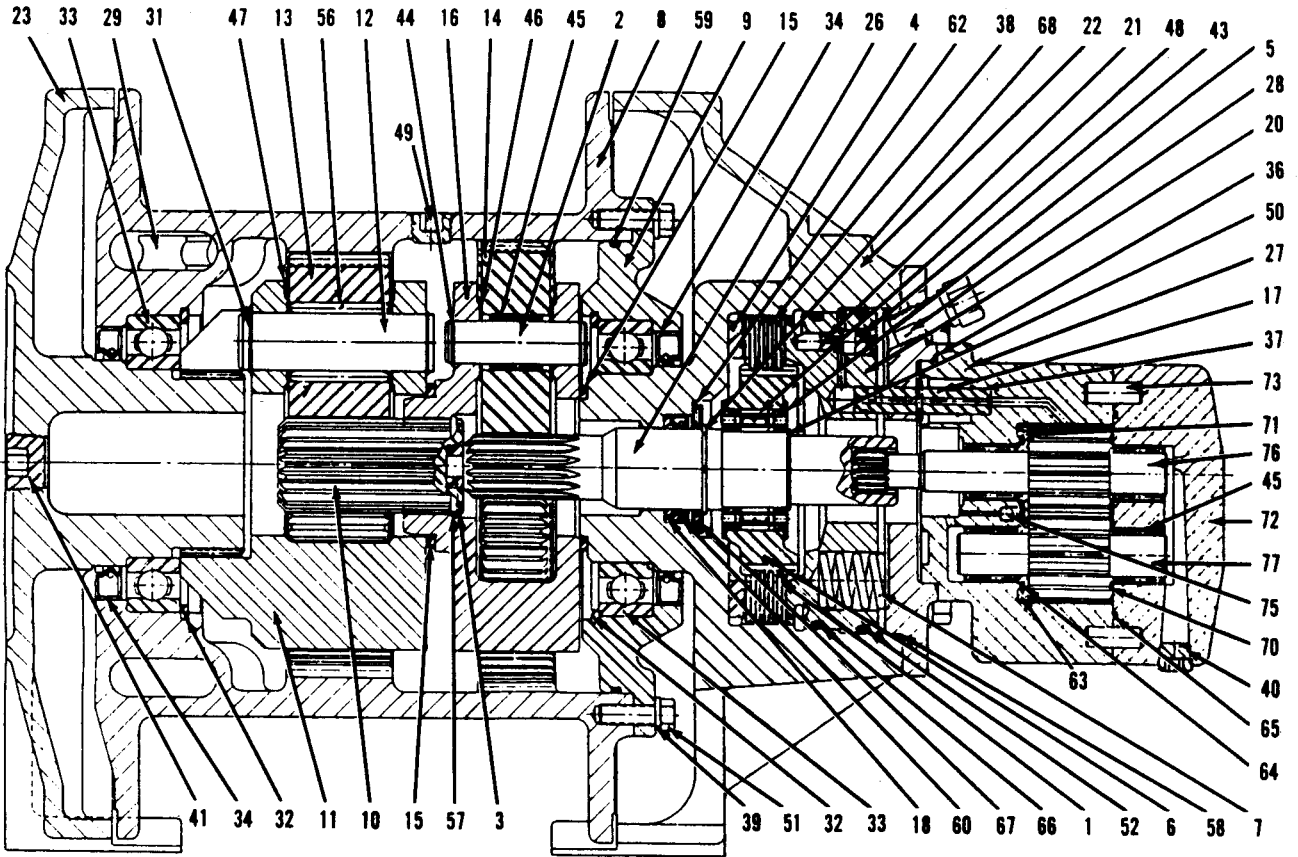
AUXILIARY VIEW OF REAR OF BOOM



Item	Part No.	Qty.	Description Of Part
	9103-5079	1	WINCH ASSY, (includes all items)
1	9103-3196	Ref	WINCH, (see page 13-10 for details)
2	9020-7882	1	CABLE
3	9020-1443	1	HOOK & BALL
4	8820-1069	4	HEX HD CAPSCREW, 1/2-13X2, GR5
5	8855-1013	4	LOCKWASHER, 1/2
6	8850-1008	5	HEX NUT, 1/2-13
7	9103-1077	1	BAR, (not shown)
8	9102-1009	1	RING, (not shown)
9	9103-3161	2	FLOW REGULATOR
* 10	8866-1113	2	MALE ELBOW, 90 DEGREES, 1/2X 1/2 TUBE, (Before S/N 2005283-01)
	8866-2065	2	ELBOW, 90 DEGREES, (includes 8859-1205 o-ring), (S/N 2005283-01 & After)
* 11	9116-3139	1	HYDRAULIC COUPLER, FEMALE, (Before S/N 2005283-01)
	9140-3413	1	HYDRAULIC COUPLER, FEMALE, (S/N 2005283-01 & After)
* 12	9116-3138	1	HYDRAULIC COUPLER, MALE, (Before S/N 2005283-01)
	9140-3414	1	HYDRAULIC COUPLER, MALE, (Before S/N 2005283-01)
13	9103-3230	2	REDUCER
14	8471-8022	1	HOSE ASSY
15	8471-7477	1	HOSE ASSY
16	9104-3126	1	DUST CAP
* 17	9104-3125	1	DUST PLUG
18	8866-1011	1	MALE CONNECTOR, 1/4X1/2 TUBE
19	8866-2106	1	ELBOW-90 DEGREES, (swivel nut)
20	8471-7252	1	HOSE ASSY
21	9002-7180	1	90 DEGREE BULKHEAD FITTING
22	9020-6888	1	HOSE ASSY
23	9040-3249	1	HOSE TAKE-UP
24	9020-0313	1	SPRING
25	9020-7041	1	SPRING RETAINER
26	9002-8990	1	WIRE ROPE CLIP
27	8850-1108	1	HEAVY HEX JAM NUT, 1/2-13
28	9104-3101	1	HOSE TAKE-UP SHEAVE
29	8866-1065	1	UNION, 1/2 TUBE
30	8471-6377	1	HOSE ASSY
31	8866-2240	1	SWIVEL NUT RUN TEE, 1/2 TUBE
32	9103-5067	1	SOLENOID VALVE ASSY
33	9103-1163	1	STOP BAR
34	0510-1441	2	WASHER
35	8320-1053	2	CAP SCREW

GRADALL®
MATERIAL HANDLER
534B-9

OPTIONAL EQUIPMENT
Winch
Starting Serial No. 0144860S
Original Issue 10-90



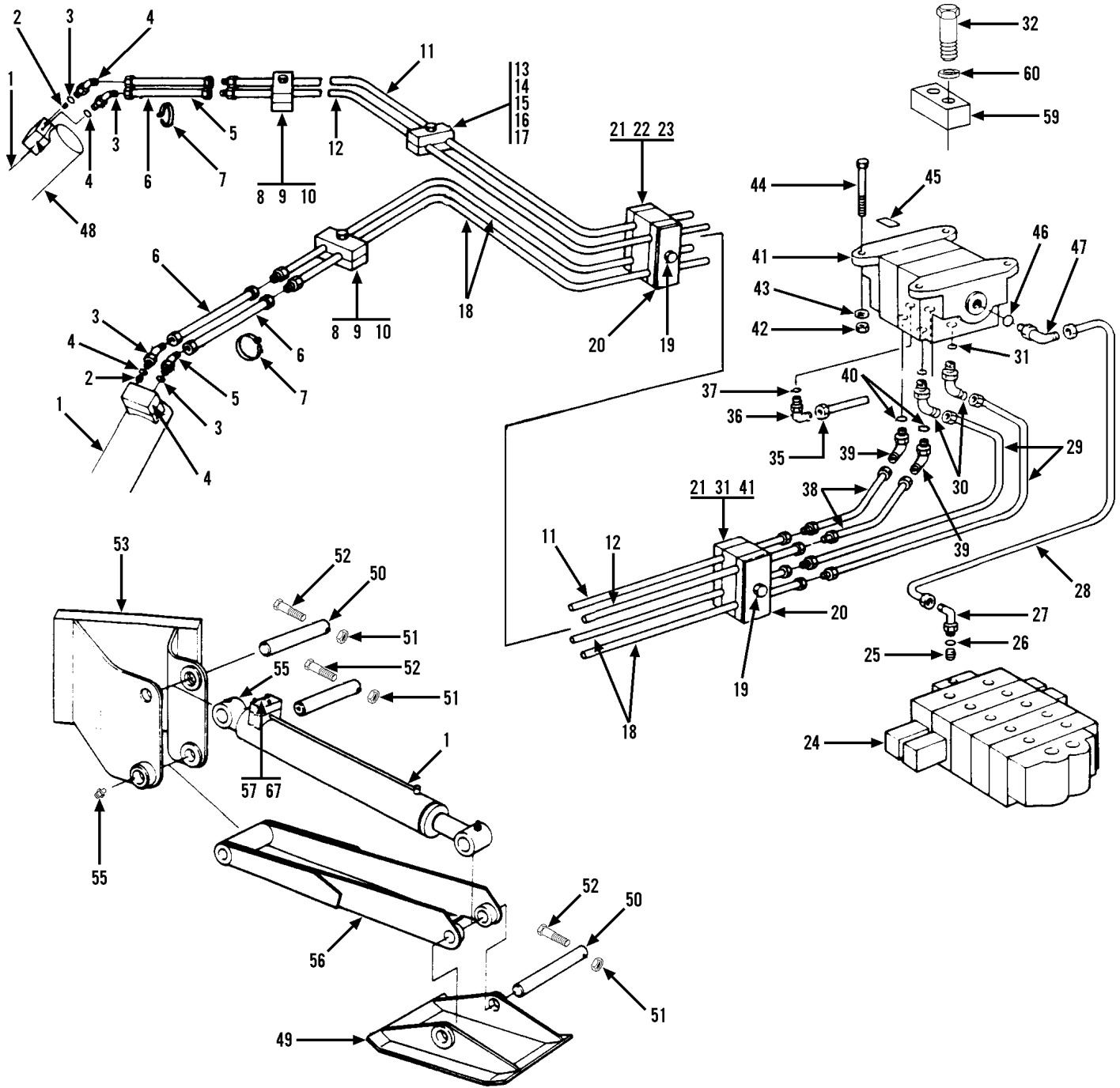
GRADALL®
MATERIAL HANDLER
534B-9

OPTIONAL EQUIPMENT
Winch
Starting Serial No. 0144860S
Original Issue 10-90

Item	Part No.	Qty.	Description Of Part	Item	Part No.	Qty.	Description Of Part
	9103-3196	1	WINCH ASSY (includes all items)	41		1	HEX SOCKET PIPE PLUG
	9103-4161	1	SEAL REPLACEMENT KIT (includes items 34, 36, 37, 52, 58, 59, 60, 66)	42	8855-1011	6	LOCK WASHER, 3/8
	9103-4162	1	HYDRAULIC MOTOR SEAL KIT (includes items 63, 64, 65)	43		1	HEX SOCKET PIPE PLUG
	9103-4164	1	PRIMARY PLANET HUB ASSY (includes items 2, 3, 10, 14, 15, 16, 44, 45, 46, 57)	44	9103-4198	6	CIRCLIP
1	9103-4165	4	BRAKE PLATE	45	9103-4199	7	NEEDLE BEARING
2	9103-4166	3	PRIMARY PLANET PIN	46	9103-4200	6	THRUST WASHER
3	9103-4167	1	PRIMARY SUNGEAR STOPPER	47	9103-4201	6	THRUST WASHER
4	9103-4168	1	BRAKE SPACER	48	9103-4202	1	SPRAG CLUTCH
5	9103-4169	2	SPRAG CLUTCH ALIGNER	49		1	HEX SOCKET PIPE PLUG
6	9103-4170	1	BRAKE HUB	50	9103-4203	1	CIRCLIP
7	9103-4171	6	BRAKE SPRING	51	8820-1019	6	HEX HD CAPSCREW, 5/16-18 X 7/8, GR5
8	9103-4172	1	CABLE DRUM	52		1	O-RING
9	9103-4173	1	BEARING FLANGE	54	8820-1035	6	HEX HD CAPSCREW, 3/8-16 X 1, GR5
10	9103-4174	1	FINAL SUNGEAR	55	8820-1051	8	HEX HD CAPSCREW, 7/16-14 X 1-1/4, GR5
11	9103-4175	1	FINAL PLANET HUB	56	9103-4204	60	NEEDLE ROLLER
12	9103-4176	3	FINAL PLANET PIN	57	9103-4205	1	CIRCLIP
13	9103-4177	3	FINAL PLANET GEAR	58		1	O-RING
14	9103-4178	3	PRIMARY PLANET GEAR	59		1	O-RING
15	9103-4179	2	NYLON SPACER	60		1	OIL SEAL
16	9103-4180	1	PRIMARY PLANET HUB	61	8855-1012	8	LOCK WASHER, 7/16
17	9103-4181	1	CONNECTING TUBE	62	9103-4206	2	THRUST WASHER
18	9103-4182	1	BACKUP WASHER	63		1	NYLATRON
19	9103-4183	1	MOTOR ADAPTER	64		1	RUBBER SPACER
20	9103-4184	1	PISTON	65		1	SQUARE CUT SEAL RING
21	9103-4185	1	ORIFICE PLUG	66		1	O-RING
22	9103-4186	1	BRAKE HOUSING	67	9103-4207	1	THRUST BEARING
23	9103-4187	1	END HOUSING	68	9103-4208	1	CIRCLIP
24	9103-4188	2	TIE BAR	69	9103-4209	4	HEX HD CAPSCREW
25	9103-4189	1	HYDRAULIC MOTOR ASSY (includes items 27, 40, 45, 64, 65, 69 through 77)	70	9103-4210	1	THRUST PLATE
26	9103-4190	1	PRIMARY SUNGEAR	71	9103-4211	1	WEAR PLATE
27	9103-4191	1	MOTOR BODY	72	9103-4212	1	COVER
28	9103-4192	1	SAFETY VALVE	73	9103-4213	2	DOWEL PIN
29	9103-4193	1	WEDGE	74	9103-4214	4	WASHER
31	9103-4194	6	CIRCLIP	75	9103-4215	2	STEEL BALL
32	9103-4195	2	CIRCLIP	76	9103-4216	1	DRIVE GEAR
33	9103-4196	2	BALL BEARING	77	9103-4217	1	DRIVEN GEAR
34		2	OIL SEAL	78		2	CAPLUG
36		1	O-RING				NOTE: Items 30, 35, 53 were removed from the assembly and are not illustrated or listed in the parts list.
37		2	O-RING				NOTE: ONLY ITEMS WITH PART NUMBERS ARE AVAILABLE FOR SERVICE.
38	9103-4197	5	DIVIDER PLATE				
39	8855-1010	6	LOCK WASHER, 5/16				
40		1	HEX SOCKET PIPE PLUG				

GRADALL®
MATERIAL HANDLER
534B-9

OPTIONAL EQUIPMENT
Outrigger Installation
Starting Serial No. 0144860S
Original Issue 8-90
Revised 12-7-93



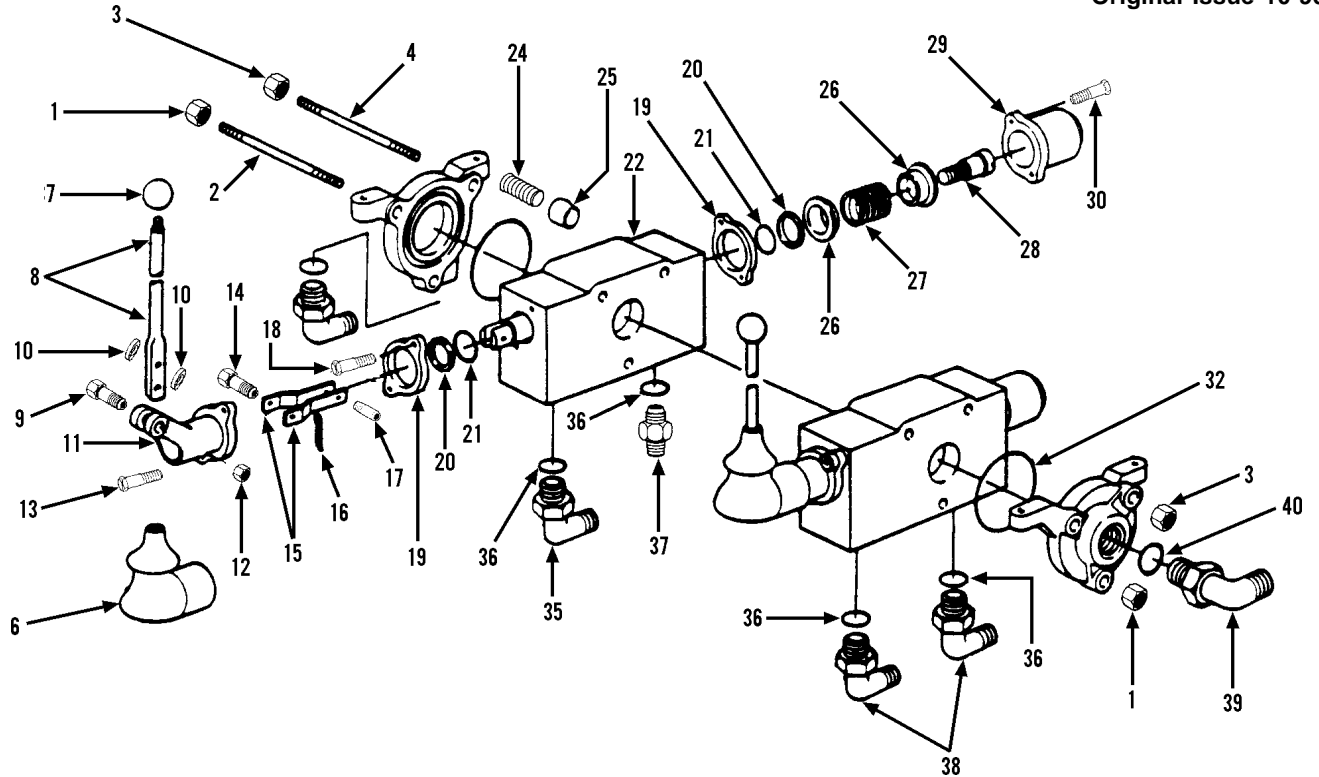
GRADALL®
MATERIAL HANDLER
534B-9

OPTIONAL EQUIPMENT
Outrigger Installation
Starting Serial No. 0144860S
Original Issue 8-90
Revised 12-7-93

Item	Part No.	Qty.	Description Of Part	Item	Part No.	Qty.	Description Of Part
1	9103-5196	Ref	OUTRIGGER INSTALLATION, (includes all items)	32	8320-1053	8	HEX HD CAPSCREW, 1-8X3, GR8
		Ref	OUTRIGGER CYLINDER ASSY, (see page 13-13 for details)	33	8866-2036	1	CONNECTOR, (includes item #34)
2	9103-3201	2	ORIFICE CHECK	34	8859-1205	1	O-RING
3	8866-2085	4	ELBOW, 45 DEGREES, (includes item #4)	35	8471-7473	1	HOSE ASSY
4	8859-1205	4	O-RING	36	8866-2060	1	ELBOW, 90 DEGREES, (includes item #37)
5	8471-7527	2	HOSE ASSY	37	8859-1206	1	O-RING
6	8471-7528	2	HOSE ASSY	38	8471-7477	2	HOSE ASSY
7	9002-7187	4	NYLON CLAMP	39	8866-2085	2	ELBOW, 90 DEGREES, (includes item #40)
8	7713-3168	2	CLAMP SET	40	8859-1205	2	O-RING
9	7713-3140	2	COVER PLATE	41		Ref	OUTRIGGER VALVE ASSY, (see page 13-12 for details)
10	7713-3177	2	HEX HD CAPSCREW	42	8850-1006	4	HEX NUT, 3/8-16
11	9103-3141	1	TUBE ASSY	43	8855-1011	4	LOCKWASHER, 3/8
12	9103-3198	1	TUBE ASSY	44	8820-1037	4	HEX HD CAPSCREW, 3/8-16X1-1/2, GR5
13	7713-3499	2	HEX HD CAPSCREW	45	9102-3006	1	STABILIZER DECAL
14	7713-3498	1	COVER PLATE	46	8859-1207	1	O-RING
15	9103-3138	2	CLAMP	47	8866-2067	1	ELBOW, 90 DEGREES, (includes item #46)
16	9103-3199	1	SAFETY PLATE	48		Ref	DUAL P.O. CHECK VALVE, (see page 13-14 for details)
17	9103-3200	2	STACKING BOLT	49	9103-6032	2	OUTRIGGER SHOE
18	9103-3140	2	TUBE ASSY	50	9103-1141	4	SHOE PIN
19	7713-3177	2	HEX HD CAPSCREW	51	8852-1206	6	HEX LOCKNUT, 3/8-16
20	7713-3140	2	COVER PLATE	52	8320-1073	6	HEX HD CAPSCREW, 3/8-16X2-1/4, GR5
21	7713-3168	4	CLAMP SET	53	9104-6110	1	R.H. OUTRIGGER BRACKET
22	7713-3390	2	SAFETY CLIP		9104-6111	1	L.H. OUTRIGGER BRACKET
23	7713-3389	2	STACK BOLT	54	9103-1140	2	ARM PIN
24		Ref	MAIN CONTROL VALVE ASSY, (see page 10-7 for details)	55	8867-1001	8	LUBE FITTING, STRAIGHT, 1/8
25	8871-1284	1	SOCKET HD PIPE PLUG, 3/4	56	9103-6041	2	ARM WELDMENT
26	8859-1209	1	O-RING	57	8820-1040	6	HEX HD CAPSCREW, 3/8-16X2-1/4, GR5
27	8866-2061	1	ELBOW, 90 DEGREES, (includes item #26)	58	8855-1011	6	LOCKWASHER, 3/8
28	8471-7474	1	HOSE ASSY	59	9103-1163	1	STOP BAR
29	8471-7479	2	HOSE ASSY	60	0510-1441	2	WASHER
30	8866-2065	2	ELBOW, 90 DEGREES, (includes item #31)				
31	8859-1205	2	O-RING				

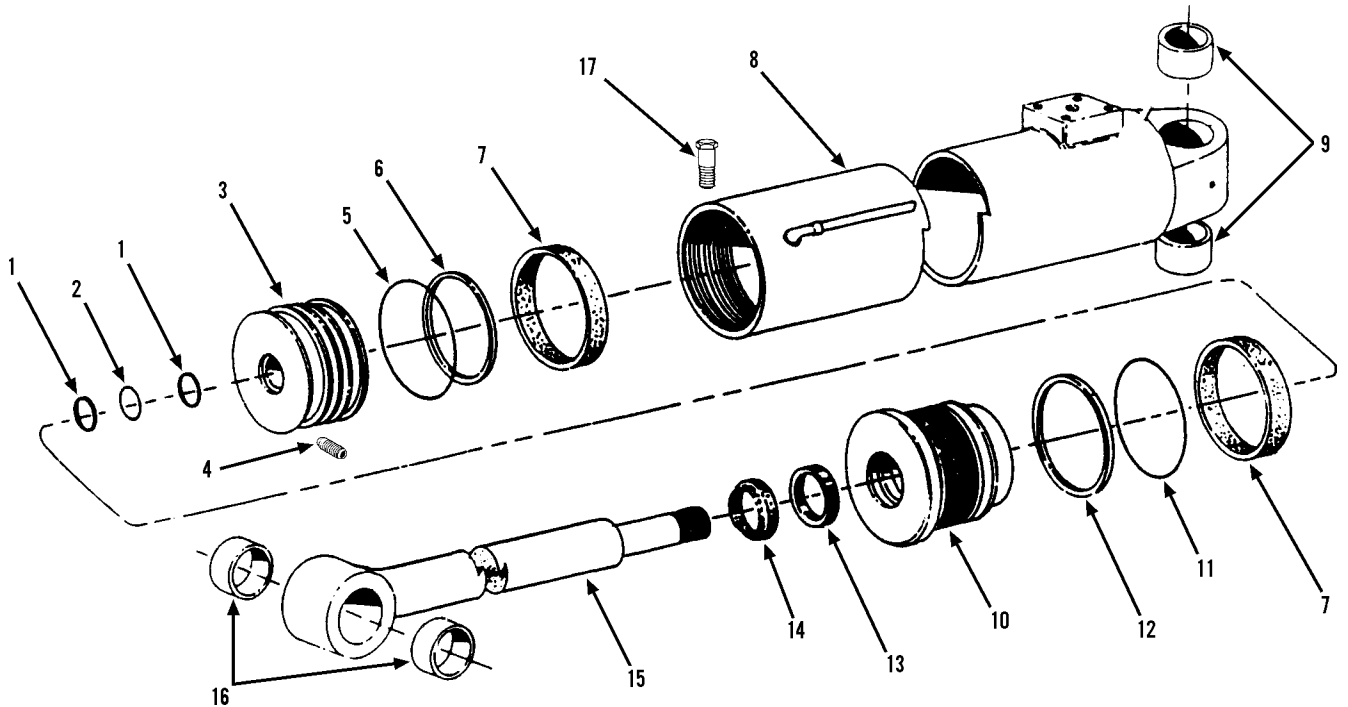
GRADALL®
MATERIAL HANDLER
534B-9

OPTIONAL EQUIPMENT
Outrigger Valve Assembly
 Starting Serial No. 0144860S
 Original Issue 10-90



Item	Part No.	Qty.	Description Of Part	Item	Part No.	Qty.	Description Of Part
	9103-5090	1	OUTRIGGER CONTROL VALVE ASSY (includes all items)	25	9103-4134	1	O-RING
	9103-3144	1	OUTRIGGER CONTROL VALVE ASSY (includes items 1 through 32)	26		2	SPRING SEAT
	9103-4124	1	TIE ROD KIT (includes items 1 through 4)	27	9103-4135	1	SPRING
	9103-4125	2	HANDLE ASSY (includes items 6 through 17)	28		1	SPOOL END
	9103-4126	2	SPOOL SECTION ASSY (includes items 18 through 30)	29		1	SPOOL CAP
1		2	SPECIAL NUT	30		2	SOCKET HD CAPSCREW
2		1	TIE ROD	31		1	INLET HOUSING ASSY (includes item #32)
3		4	SPECIAL NUT	32	9103-4132	1	O-RING
4		2	TIE ROD	33	8866-2060	1	ELBOW, 90 DEGREES (includes item #34)
5		1	OUTLET SECTION	34	8859-1206	1	O-RING
6	9103-4127	1	BOOT	35	8866-2085	1	ELBOW, 45 DEGREES (includes item #36)
7	9103-4128	1	KNOB	36	8859-1205	4	O-RING
8	9103-4129	1	HANDLE	37	8866-2036	1	CONNECTOR (includes item #36)
9		1	PIVOT BOLT	38	8866-2065	2	ELBOW, 90 DEGREES (includes item #36)
10		2	FLAT WASHER	39	8866-2067	1	ELBOW, 90 DEGREES (includes item #40)
11		1	HANDLE BRACKET	40	8859-1207	1	O-RING
12		1	HEX NUT				NOTE: QUANTITIES ARE SHOWN FOR ONE HANDLE ASSY AND ONE SPOOL SECTION ASSY.
13		2	SOCKET HD CAPSCREW				NOTE: WHEN REPLACING A SPOOL SECTION, REMOVE SCREWS (18) AND REPLACE WITH SCREWS (13) TO SECURE THE BRACKET.
14		1	PIN				NOTE: ONLY PART NUMBERED PARTS ARE AVAILABLE FOR SERVICE REPLACEMENT.
15		1	LINK				
16		1	RETAINER				
17		1	ROLL PIN				
18		2	ROUND HD MACHINE SCREW				
19		2	SEAL PLATE				
20	9103-4130	2	WIPER				
21	9103-4131	2	O-RING				
22		1	HOUSING & SPOOL ASSY (NOT SOLD SEPARATELY, ORDER P/N 9103-4126)				
23	9103-4132	1	O-RING				
24	9103-4133	1	SPRING				

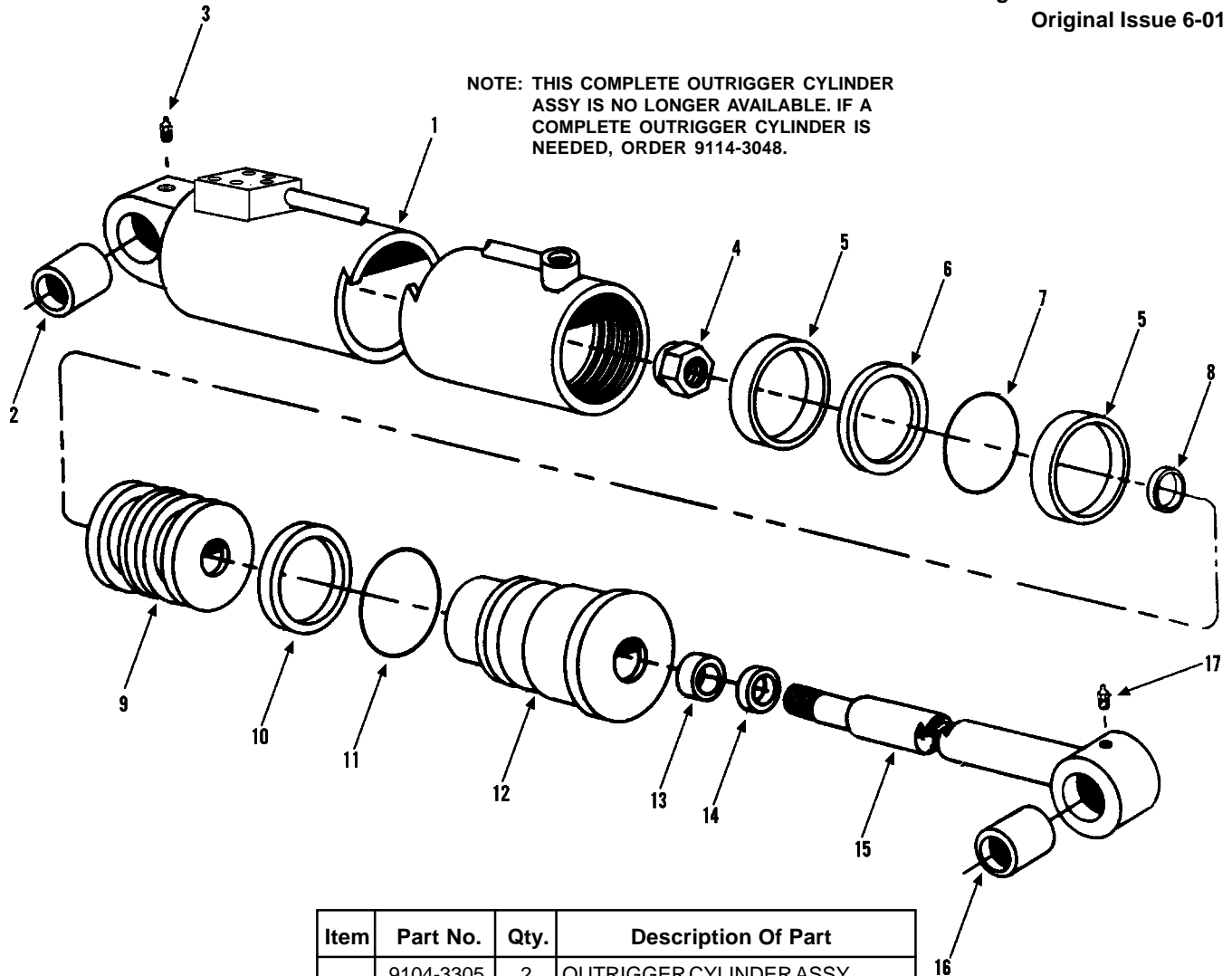
NOTE: THIS COMPLETE OUTRIGGER CYLINDER ASSY IS NO LONGER AVAILABLE. IF A COMPLETE OUTRIGGER CYLINDER IS NEEDED, ORDER 9114-3048.



Item	Part No.	Qty.	Description Of Part
	9103-3127	2	OUTRIGGER CYLINDER ASSY, (includes all items)
	9104-4065	1	SEAL KIT, (includes items 1, 2, 5, 6, 7, 11, 12, 13 & 14)
1		2	BACKUP RING
2		1	O-RING
3	9104-4066	1	PISTON ASSY, (includes items 5, 6 & 7; lubricate and torque to 1,450-1,550 ft.lbs.)
4	9104-4067	1	SET SCREW, (lubricate and torque to 12-14 ft.lbs.)
5		1	O-RING
6		1	PISTON SEAL
7		2	WEAR RING
8	9104-4068	1	BARREL ASSY, (includes item 9)
9	9104-4069	2	BUSHING
10	9104-4070	1	ROD BEARING ASSY, (includes items 11 through 14; lubricate and torque to 250-300 ft. lbs.)
11		1	O-RING
12		1	BACKUP RING
13		1	ROD SEAL
14	9002-2280	1	WIPER
15	9104-4071	1	PISTON ROD ASSY, (includes item 16)
16	9104-4072	2	BUSHING
17	9104-4073	1	HEX HD SELF-TAPPING SCREW
			NOTE: ONLY ITEMS WITH PART NUMBERS ARE AVAILABLE FOR SERVICE.

GRADALL®
MATERIAL HANDLER
534B-9

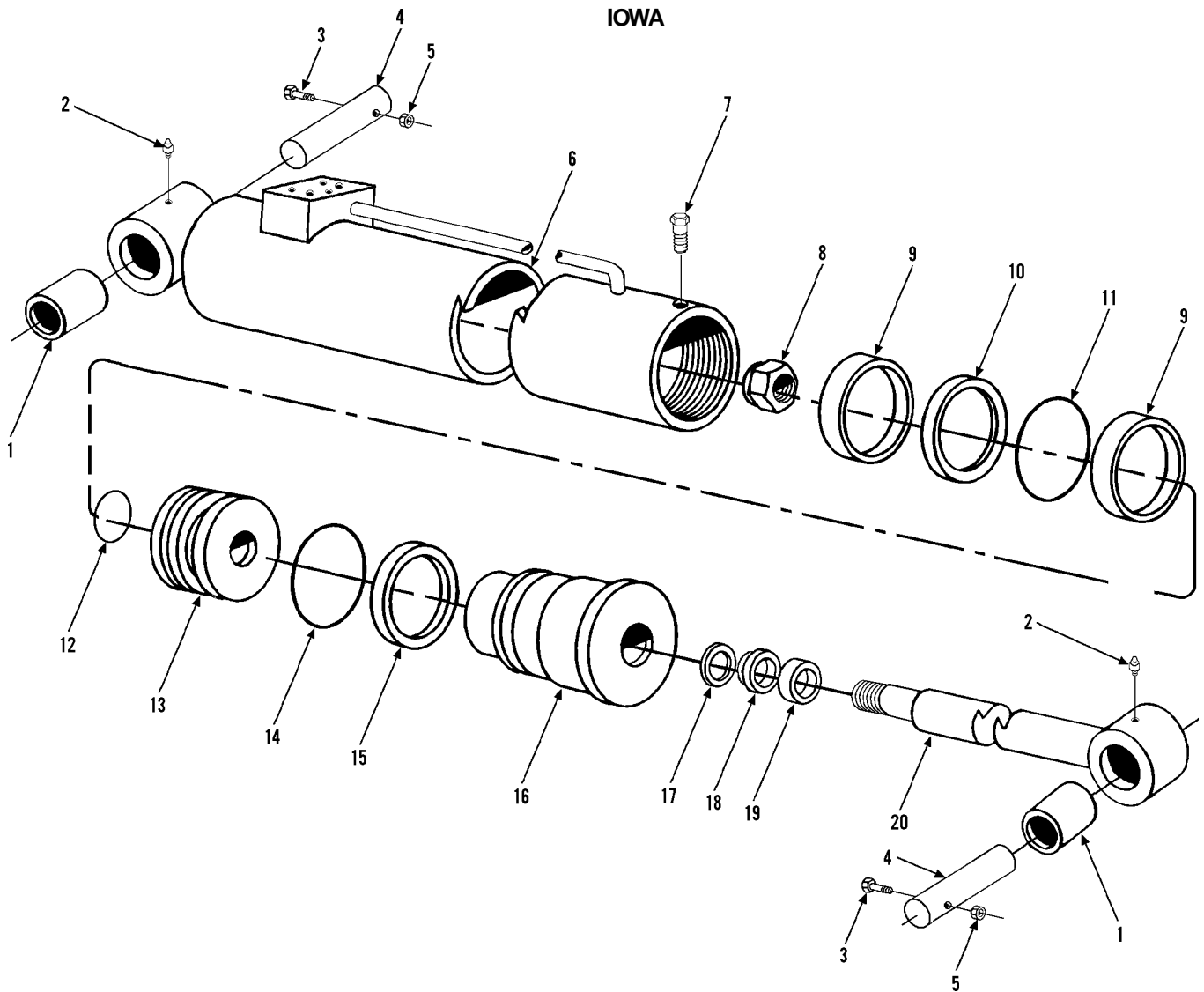
OPTIONAL EQUIPMENT
(9104-3305) Outrigger Cylinder
 Starting Serial No. 0244184S
 Original Issue 6-01



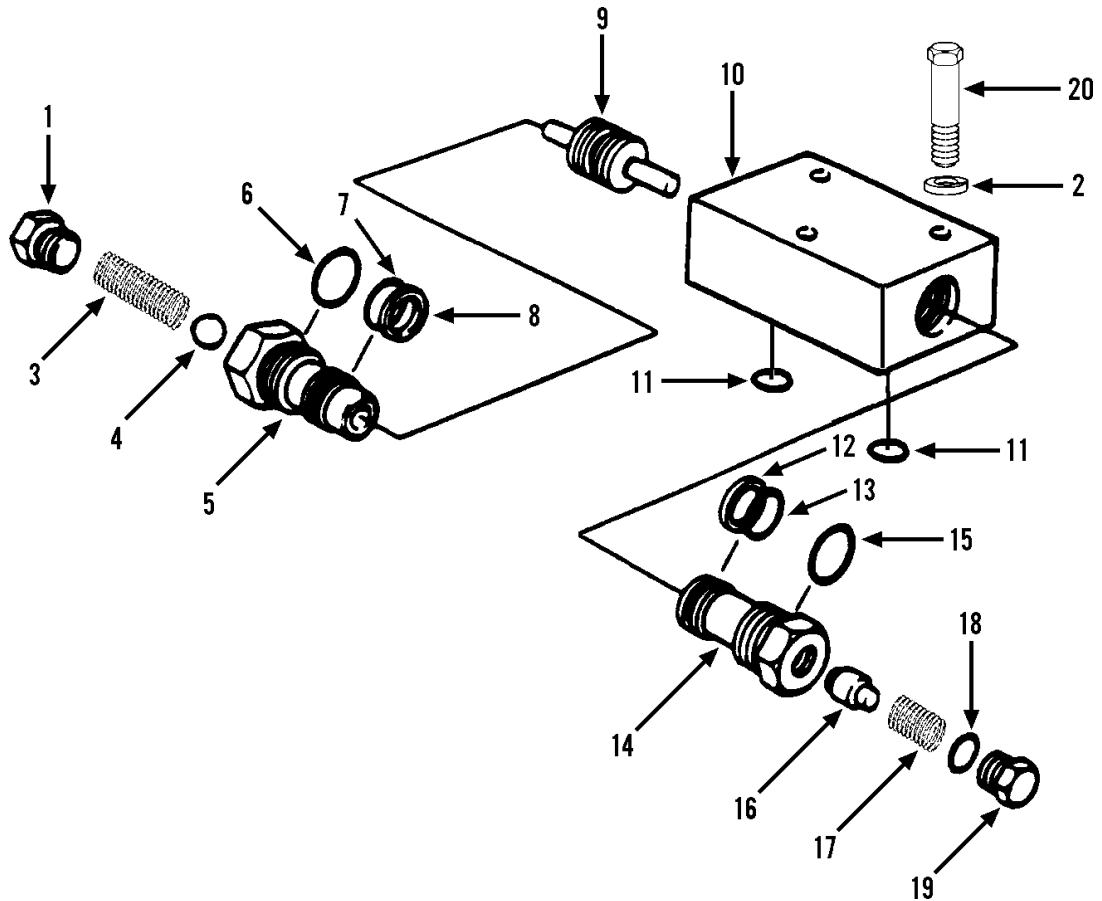
NOTE: THIS COMPLETE OUTRIGGER CYLINDER ASSY IS NO LONGER AVAILABLE. IF A COMPLETE OUTRIGGER CYLINDER IS NEEDED, ORDER 9114-3048.

Item	Part No.	Qty.	Description Of Part
	9104-3305	2	OUTRIGGER CYLINDER ASSY, (includes all items)
	9103-4278	1	SEAL KIT, (includes items 5, 6, 7, 8, 10, 11, 13, & 14)
1	9104-4316	1	TUBE ASSY
2	9104-4371	1	BUSHING
3	8867-1018	1	LUBE FITTING, 45 DEGREES, 1/8
4	9103-4280	1	LOCK NUT, (torque to 1100 ft.lbs.)
5		2	WEAR RING
6		1	SEAL
7		1	O-RING
8		1	O-RING
9	9103-4281	1	PISTON
10		1	BACK-UP RING
11		1	O-RING
12	9103-4282	1	GLAND
13		1	SEAL
14		1	WIPER
15	9104-4317	1	ROD ASSY
16	9104-4371	1	BUSHING
17	8867-1033	1	LUBE FITTING, STRAIGHT 1/4-28

NOTE: ONLY ITEMS WITH PART NUMBERS ARE AVAILABLE FOR SERVICE.

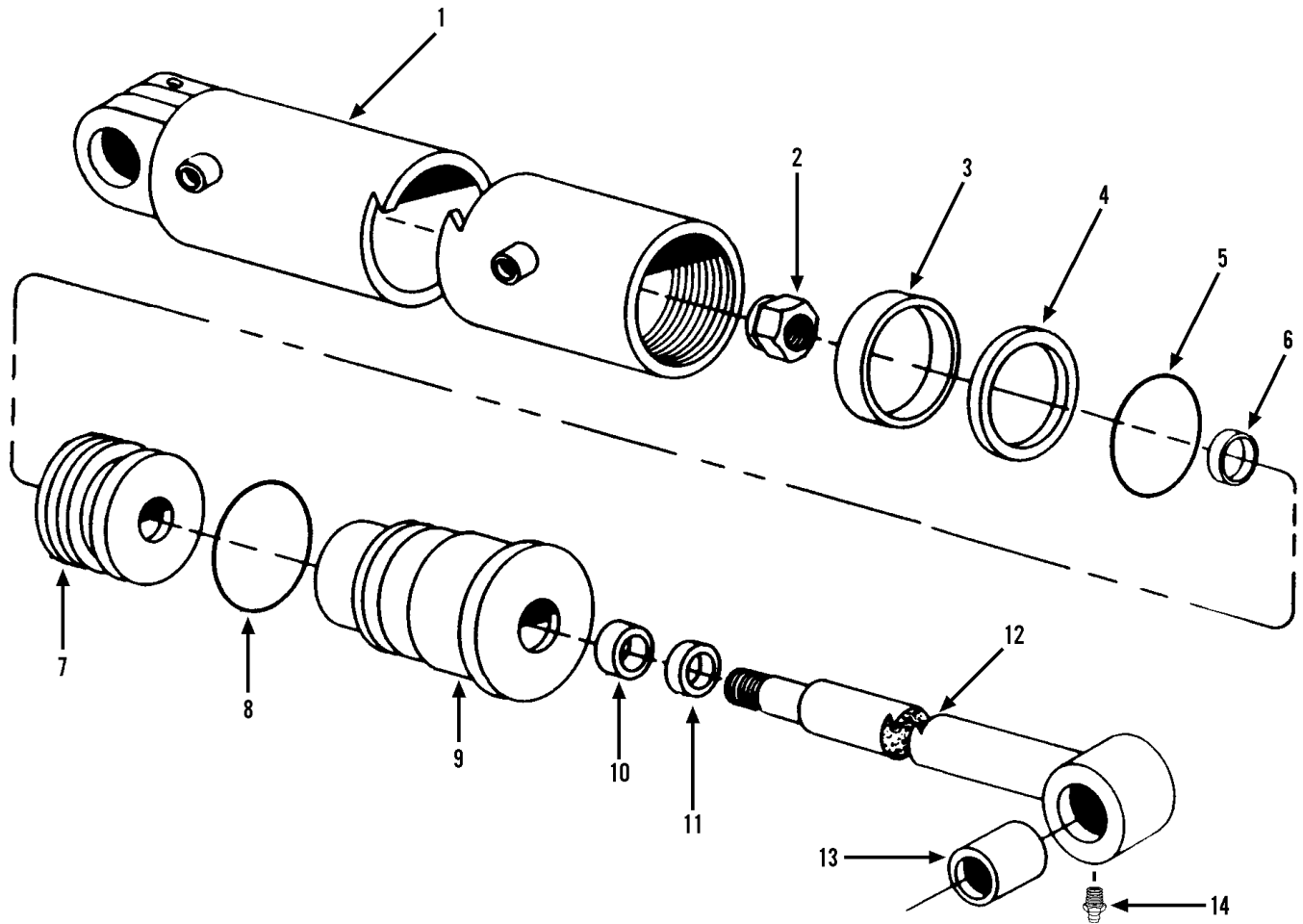


Item	Part No.	Qty.	Description Of Part	Item	Part No.	Qty.	Description Of Part
	9114-3048	2	OUTRIGGER CYLINDER, (includes items 1, 2, and 6 thru 20)	11		1	O-RING
	9114-4004	1	SEAL KIT, (includes items 9, 10, 11, 12, 14, 15, 17, 18 & 19)	12		1	O-RING
1	9115-4002	2	BUSHING	13	9103-4139	1	PISTON
2	8867-1001	2	GREASE FITTING	14		1	O-RING
3	8320-1073	2	HEX HD CAPSCREW, 3/8-16X4-1/2, GR5	15		1	BACK-UP RING
4	9103-1141	2	SHOE PIN	16	9114-4024	1	CYLINDER HEAD
5	8852-1206	2	HEX LOCKNUT, 3/8-16, (nylok)	17		1	STEP SEAL
6	9115-4003	1	CASE ASSY	18		1	U-CUP
7	9114-4017	1	CAPSCREW, #8-32X.375	19		1	WIPER
8	9103-4153	1	LOCKNUT	20	9115-4004	1	ROD ASSY
9		2	WEAR RING				
10		1	PISTON SEAL				
							NOTE: ONLY ITEMS WITH PART NUMBERS ARE AVAILABLE FOR SERVICE.



Item	Part No.	Qty.	Description Of Part
	9104-3258		DUAL P.O. CHECK VALVE ASSY (includes all items except 2 and 20)
	9104-4304		CHECK CARTRIDGE ASSY (includes items 1, 3 through 8)
	9103-4107		CHECK CARTRIDGE ASSY W/ THERMAL RELIEF (includes items 12 through 19)
1	9104-4308	1	PLUG
2	8855-1011	3	LOCKWASHER, 3/8
3	9104-4309	1	SPRING
4	9103-4111	1	BALL
5	9103-4112	1	CARTRIDGE BODY
6	9104-4305	1	O-RING
7	9104-4306	1	O-RING
8	9104-4307	1	BACKUP RING
9	9103-4116	1	PISTON
10	9103-4117	1	BODY

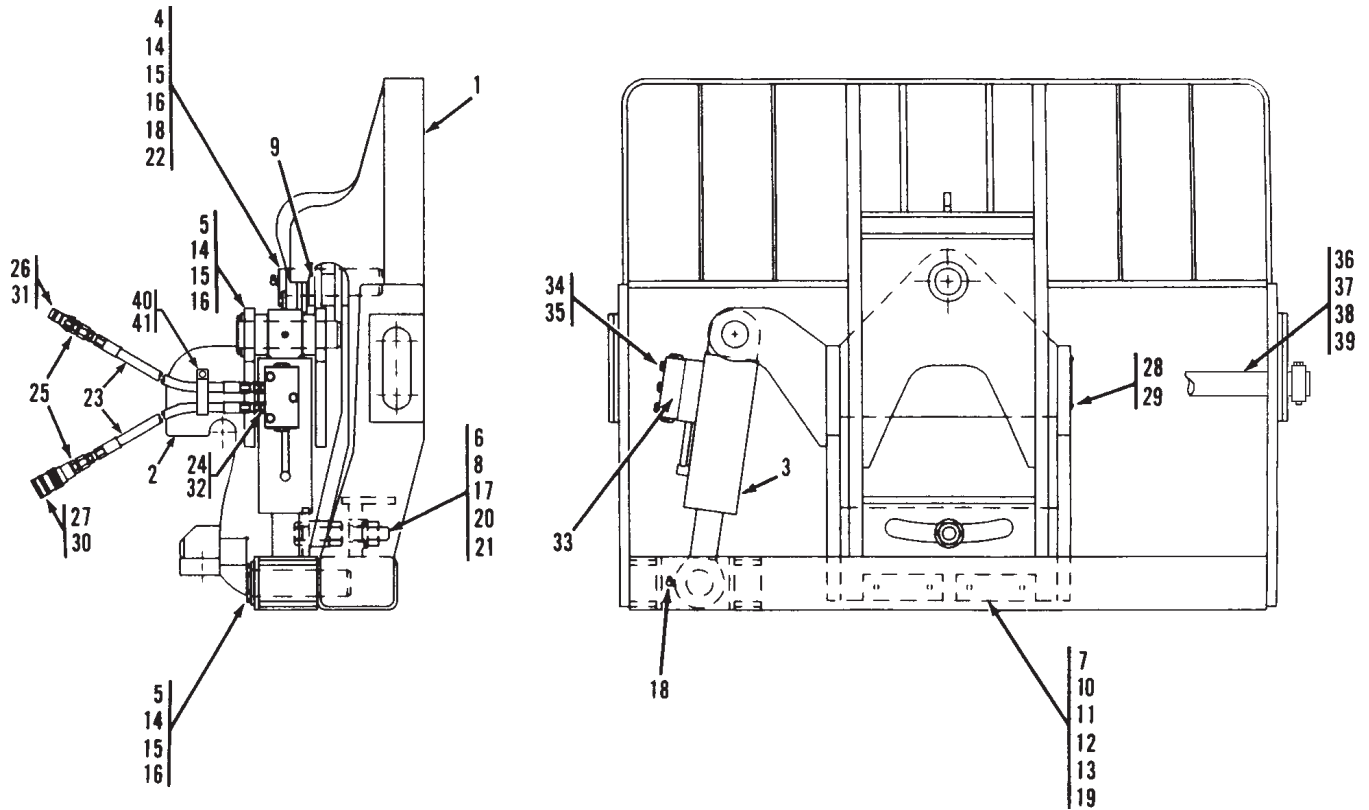
Item	Part No.	Qty.	Description Of Part
11	9103-4118	2	O-RING
12	9103-4115	1	BACKUP RING
13	9103-4114	1	O-RING
14	9103-4112	1	CARTRIDGE BODY
15	9103-4113	1	O-RING
16	9103-4119	1	THERMAL RELIEF ASSY
17	9103-4120	1	SPRING
18	9103-4109	1	O-RING
19	9103-4121	1	PLUG
20	8820-1040	3	HEX HD CAPSCREW, 3/8-16 X 2-1/4, GR5
21	8855-1011	3	LOCKWASHER, 3/8
NOTE: ONLY ITEMS WITH PART NUMBERS ARE AVAILABLE FOR SERVICE.			



Item	Part No.	Qty.	Description Of Part
	9104-3303	1	STABILIZER CYLINDER ASSY (includes all items)
	9104-4330	1	SEAL KIT (includes items 3, 4, 5, 6, 8, 10, 11)
1	9104-4334	1	TUBE ASSY
2	9103-4286	1	LOCKNUT (torque to 590 ft. lbs.)
3		1	WEAR RING
4		1	SEAL
5		1	O-RING
6		1	O-RING
7	9104-4331	1	PISTON
8		1	O-RING
9	9104-4332	1	GLAND
10		1	SEAL
11		1	WIPER
12	9104-4333	1	ROD ASSY
13	9104-4353	1	BUSHING
14	8867-1033	1	LUBE FITTING, STRAIGHT, 1/4-28
			NOTE: ONLY ITEMS WITH PART NUMBERS ARE AVAILABLE FOR SERVICE.

GRADALL®
MATERIAL HANDLER
534B-9

OPTIONAL EQUIPMENT
(9108-5058) 48" Slope Piler Carriage
 Original Issue 12-91
 Revised 6-20-06

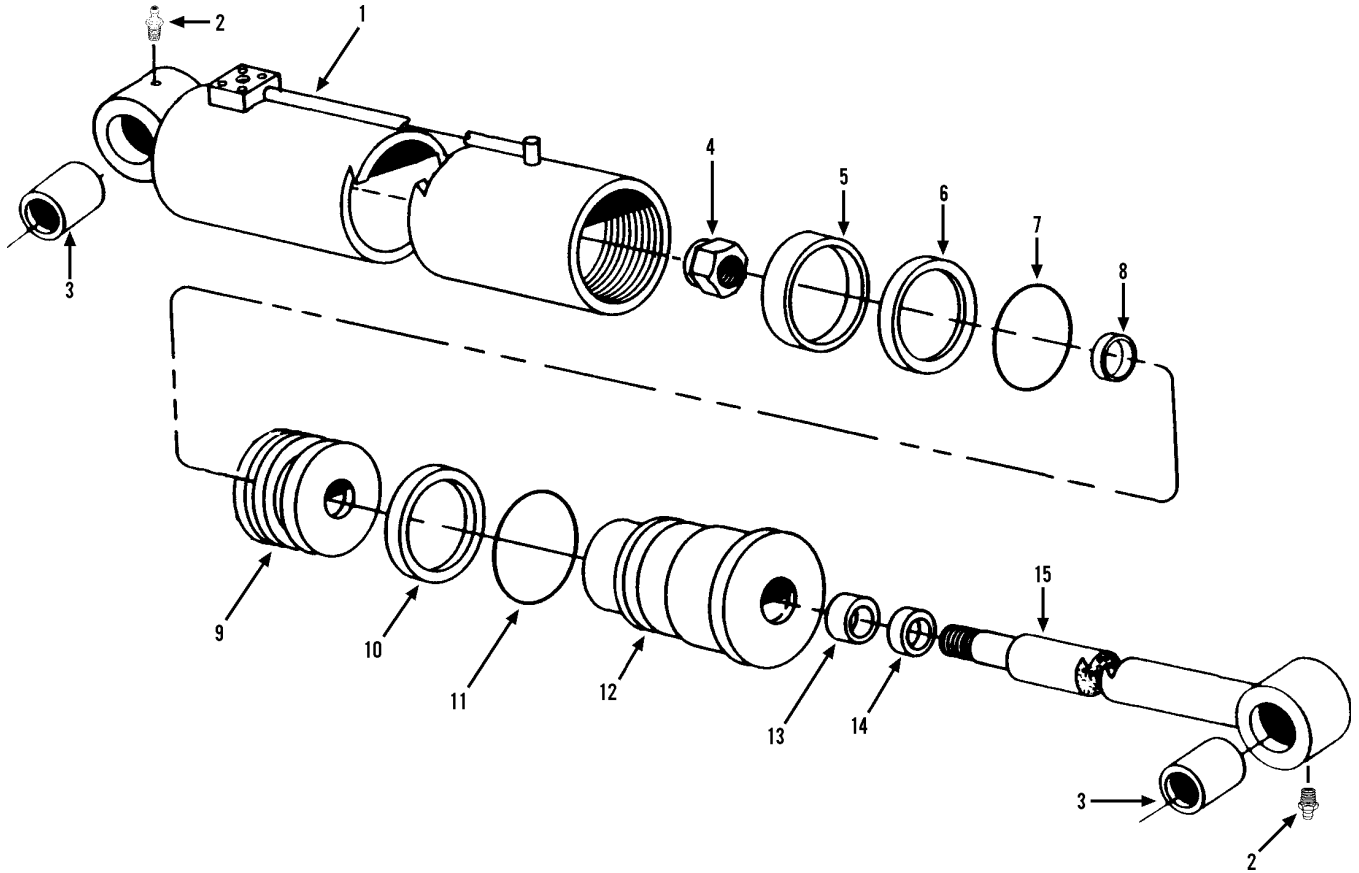


Item	Part No.	Qty.	Description Of Part
*	9108-5058	Ref	48" SLOPE PILER CARRIAGE, (includes all items)
*	9103-3459	1	CAPACITY DECAL, (not shown)
1	9108-6121	1	CARRIAGE WELDMENT
2	9108-6122	1	ADAPTER WELDMENT
3		Ref	SWAY CYLINDER, (see page 13-17 for details)
4	9108-3248	1	BUSHING
*5	3423263	2	PIN
*6	9020-4007	1	TUBE
*7	9103-3186	2	BEARING PAD
8	9108-1577	1	TAP BOLT
9	9108-1594	1	THRUST WASHER
*10	9020-5870	AR	SHIM
11	9103-1236	2	SPACER
*12	8820-1535	4	HEX HD CAPSCREW, 3/8-24X1-1/4, GR5
*13	8820-1534	4	HEX HD CAPSCREW, 3/8-24X1, GR5
14	9108-1313	3	KEEPER PLATE
15	8820-1065	6	HEX HD CAPSCREW, 1/2-13X1, GR5
16	8855-1013	6	LOCKWASHER, 1/2
17	8852-1016	1	HEX LOCKNUT, 1-8
*18	8867-1022	2	LUBE FITTING, 90 DEGREES, 1/8
19	8856-1109	4	FLAT WASHER, 3/8
20	8850-1016	1	HEX NUT, 1-8
21	0510-1441	1	WASHER, 1-1/16
22	9108-1622	1	PIN
23	8471-6434	2	HOSE ASSY
24	8366-1316	2	CONNECTOR

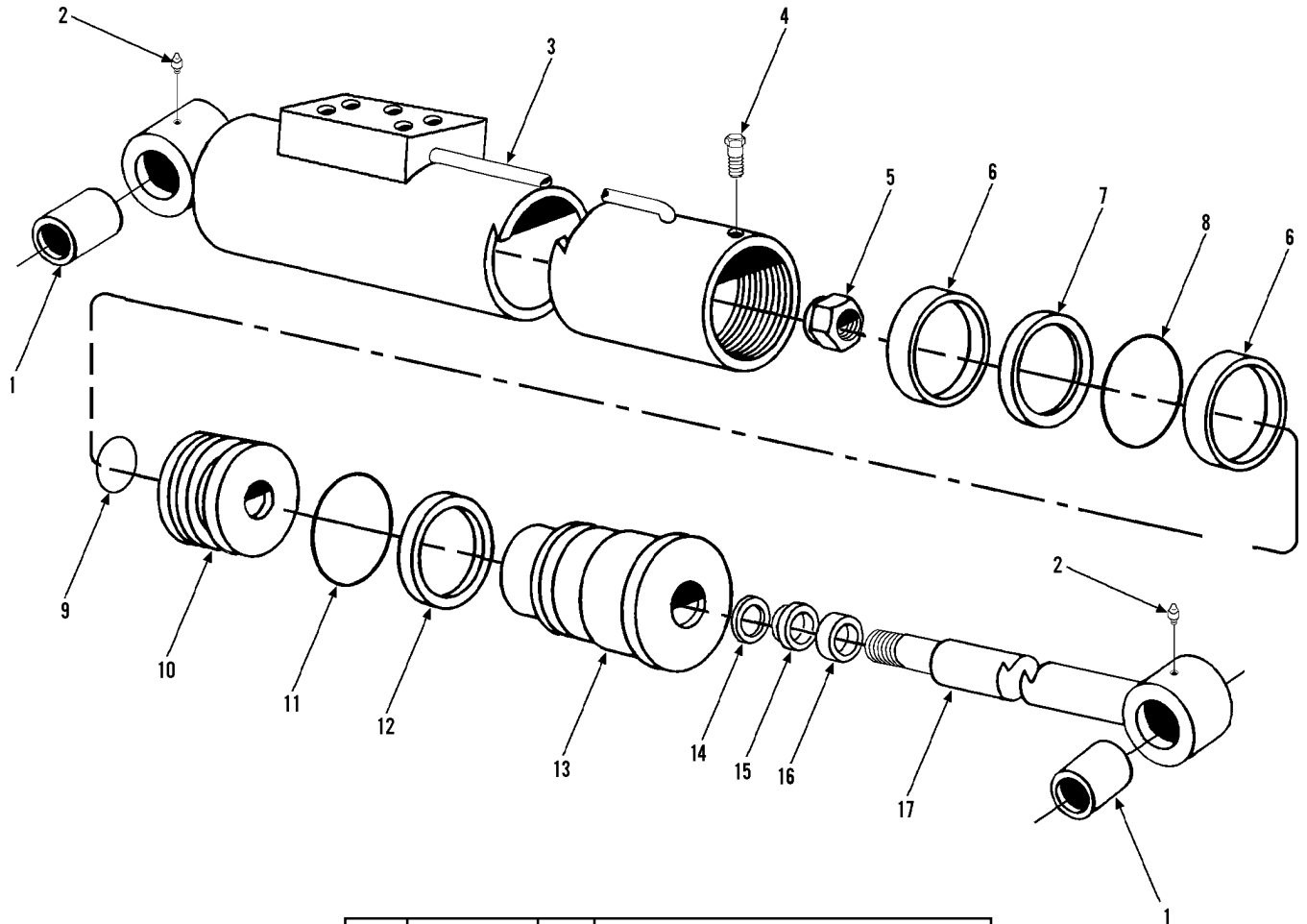
Item	Part No.	Qty.	Description Of Part
*25	8866-1010	2	CONNECTOR, (Before S/N 2005283-01)
	8866-2018	2	CONNECTOR, (S/N 2005283-01 & After)
*26	9116-3138	1	MALE QUICK DISCONNECT, (Before S/N 2005283-01)
	9140-3414	1	MALE QUICK DISCONNECT, (S/N 2005283-01 & After)
*27	9116-3139	1	FEMALE QUICK DISCONNECT, (Before S/N 2005283-01)
	9140-3413	1	FEMALE QUICK DISCONNECT, (S/N 2005283-01 & After)
28	8834-1022	4	DRIVE SCREW, #10X3/8
29	9015-3001	1	SERIAL NUMBER PLATE
30	9104-3125	1	DUST PLUG
31	9104-3126	1	DUST CAP
*32	8688-3469	2	ADAPTER
33		Ref	DUAL P.O. CHECK VALVE, (see page 13-18 for details)
34	8820-1040	3	HEX HD CAPSCREW, 3/8-16X2-1/4, GR5
35	8855-1011	3	LOCKWASHER, 3/8
*36	9045-1058	1	FORK PIN
*37	9020-0003	2	COLLAR
*38	8820-1105	2	HEX HD CAPSCREW, 5/8-11X4, GR5
*39	8852-1310	2	LOCKNUT, 5/8-11
*40	8452-1062	1	SUPPORT CLAMP
*41	7714-3015	1	WHIZ-LOK NUT, 3/8-16

ER 46361, 48269, 49530, 49939,
 50170 LK

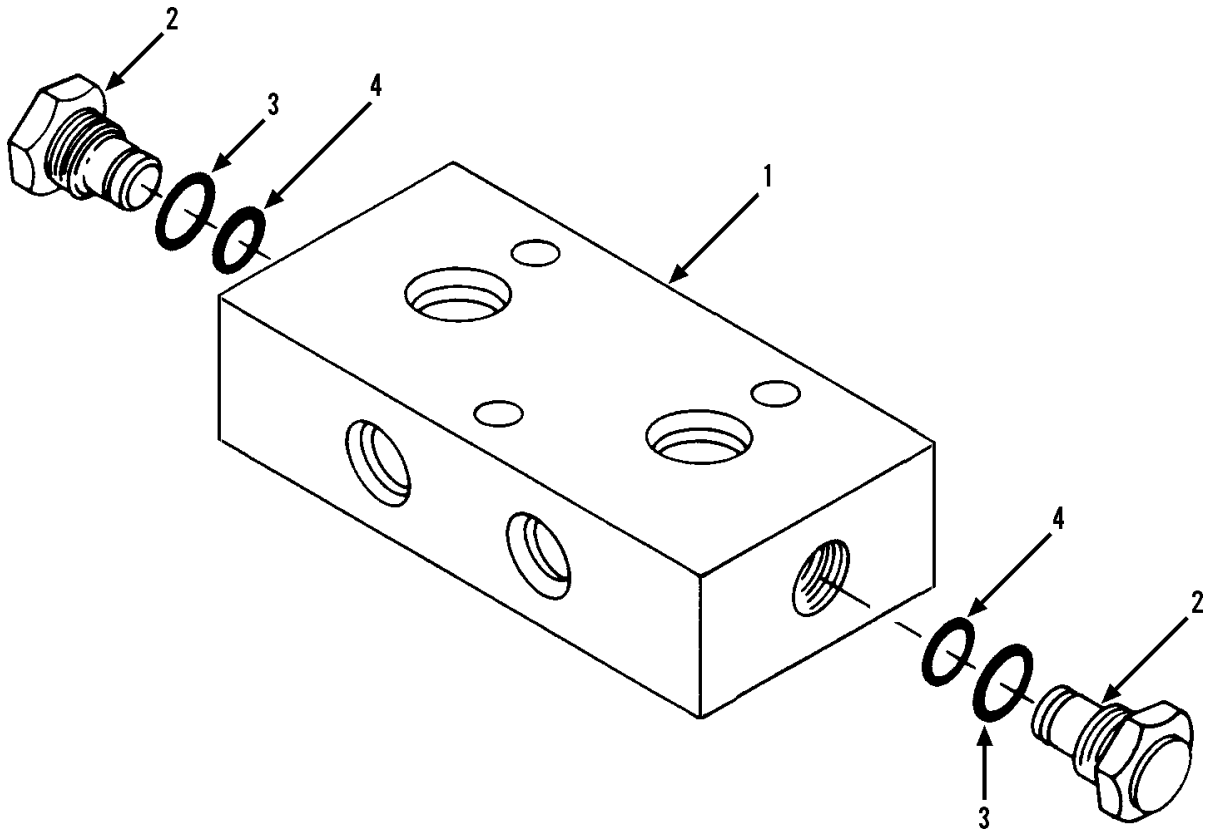
* Revised illustration & parts list.



Item	Part No.	Qty.	Description Of Part
	9108-3286	1	SWAY CYLINDER ASSY (includes all items)
	9108-4189	Ref	SEAL KIT (includes items 5, 6, 7, 8, 10, 11, 13, 14)
1	9108-4185	1	TUBE ASSY
2	8867-1033	2	LUBE FITTING, STRAIGHT, 1/4-28
3	9108-4176	2	BUSHING
4	9108-4184	1	NUT
5	9108-4219	1	WEAR RING
6	9108-4220	1	SEAL
7	9108-4221	1	O-RING
8	9108-4222	1	O-RING
9	9108-4186	1	PISTON
10	9108-4223	1	BACKUP RING
11	9108-4224	1	O-RING
12	9108-4188	1	GLAND
13	9108-4225	1	SEAL
14	9108-4226	1	WIPER
15	9108-4187	1	ROD ASSY



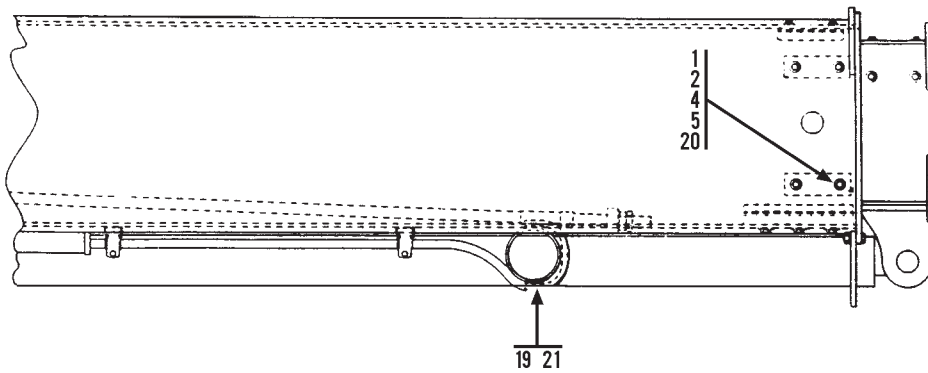
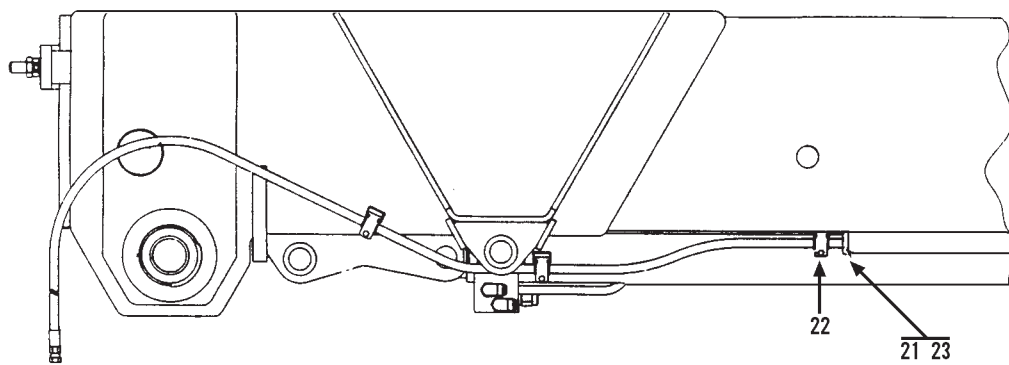
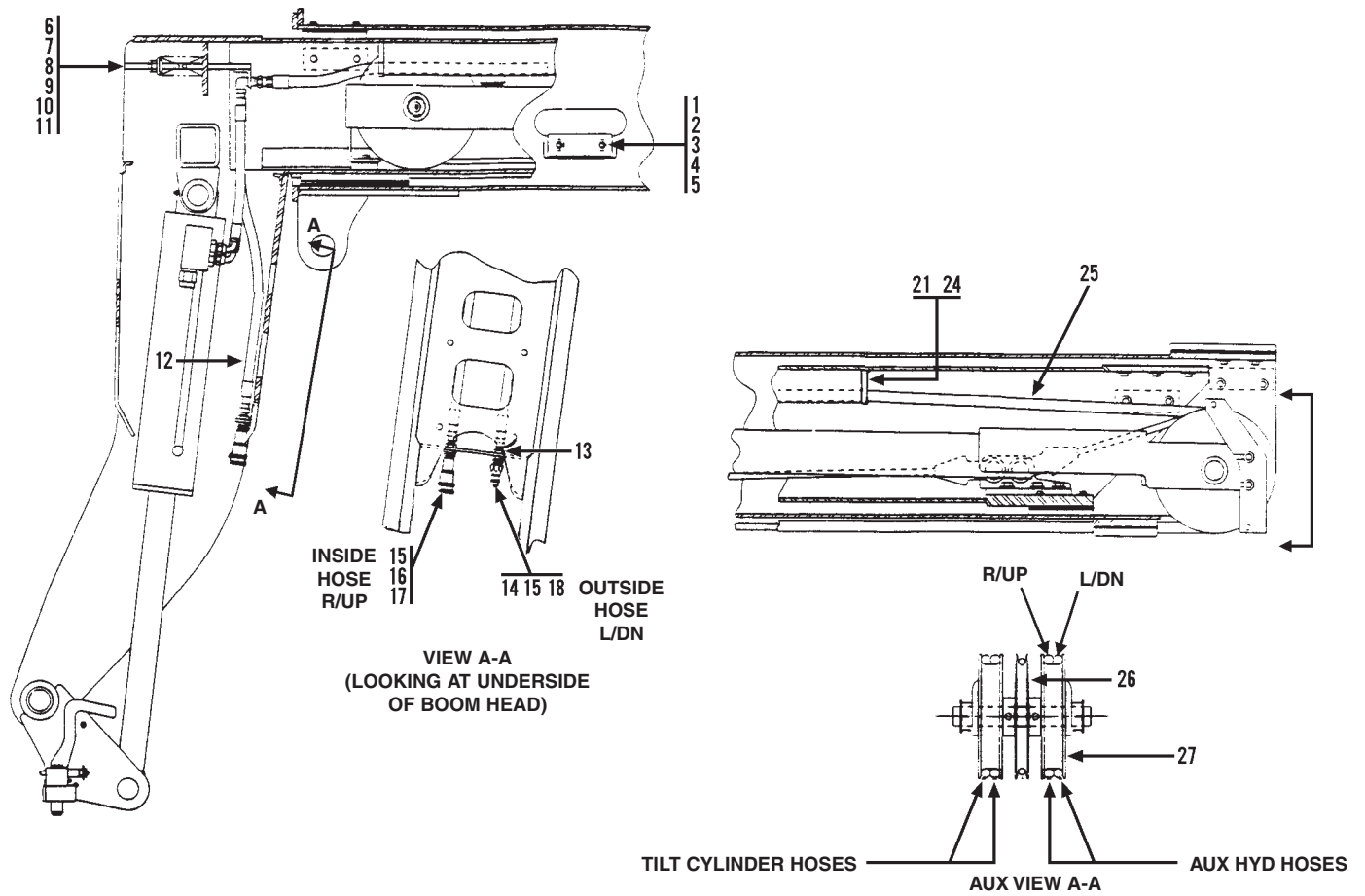
Item	Part No.	Qty.	Description Of Part
	9108-3471	1	SWAY CYLINDER ASSY, (includes all items)
	9108-4308	Ref	SEAL KIT, (includes items 6 thru 9, 11, 12 & 14 thru 16))
* 1	9140-4352	2	BUSHING
2	9114-4128	2	GREASE FITTING
3	9112-4083	1	CASE ASSY
4	9114-4017	1	CAPSCREW, #8X32X.375
5	9103-4156	1	LOCKNUT, (lubricate & torque to 350-400 ft.lbs.)
6		2	WEAR RING
7		1	PISTON SEAL
8		1	O-RING
9		1	O-RING
10	9112-4084	1	PISTON
11		1	O-RING
12		1	BACK-UP RING
13	9112-4085	1	CYLINDER HEAD
14		1	STEP SEAL
15		1	U-CUP
16		1	WIPER
17	9112-4086	1	ROD ASSY
			NOTE: ONLY ITEMS WITH PART NUMBERS ARE AVAILABLE FOR SERVICE



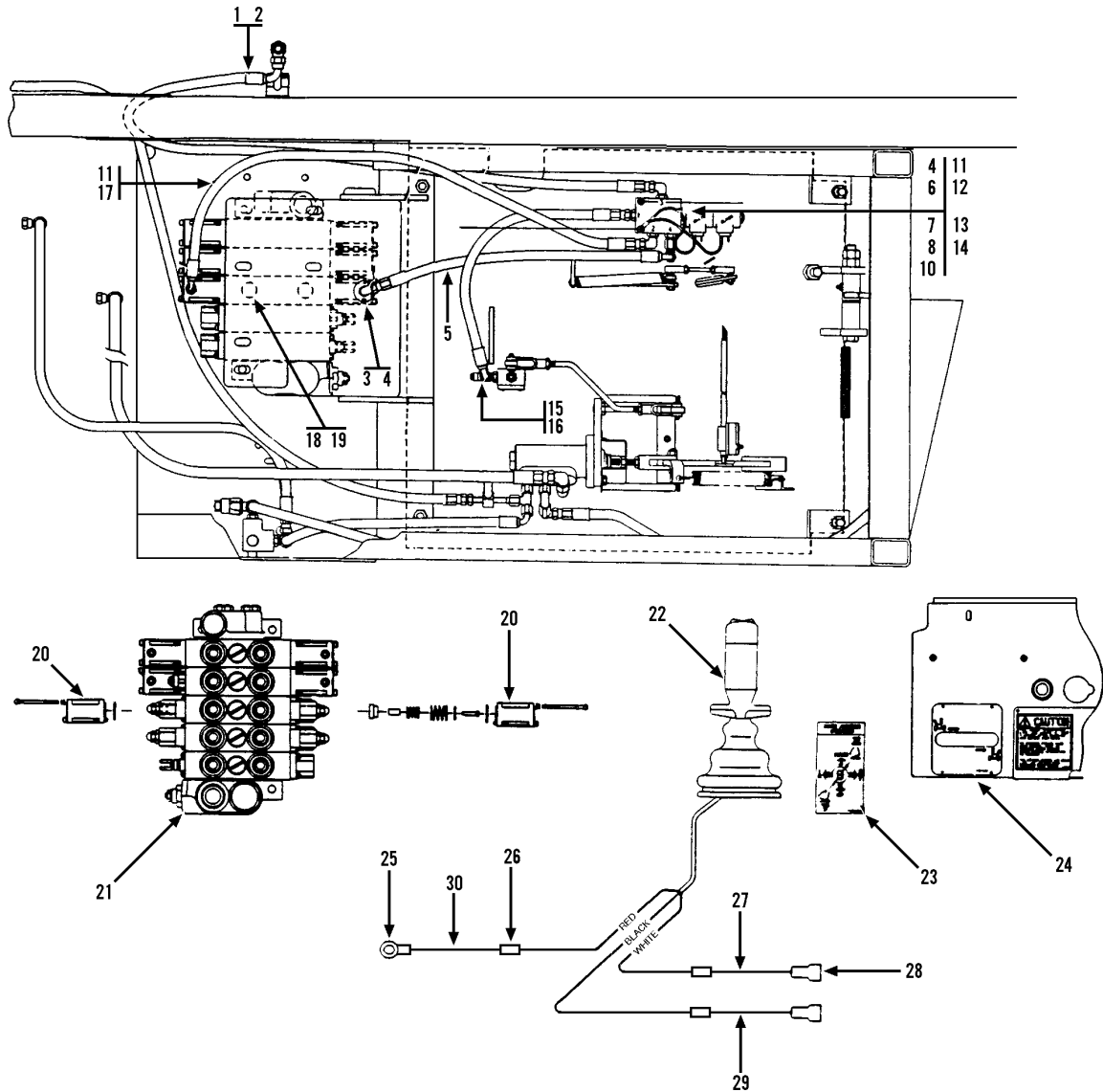
Item	Part No.	Qty.	Description Of Part
	9108-3262	1	DUAL P.O. CHECK VALVE ASSY (includes all items)
1	9104-4002	Ref	SEAL KIT (includes items 3 and 4)
		1	BODY
2	7713-3248	2	CHECK VALVE (includes items 3 and 4)
3	9108-4227	2	O-RING
4	9108-4228	2	O-RING
			NOTE: ONLY ITEMS WITH PART NUMBERS ARE AVAILABLE FOR SERVICE.

GRADALL®
MATERIAL HANDLER
534B-9

OPTIONAL EQUIPMENT
(9103-5018) Auxiliary Hydraulics
 Original Issue 7-92
 Revised 7-14-06



Item	Part No.	Qty.	Description Of Part
	9103-5018	1	AUXILIARY HYDRAULICS ASSY, (includes all items)
1	9103-3186	4	BEARING PAD
2	9103-1236	4	SHIM
3	9105-1390	2	SHIM
4	8820-1532	8	HEX HD CAPSCREW, 3/8-24 X 3/4, GR5
5	8856-1109	8	FLAT WASHER, 3/8
6	9040-3249	2	HOSE TAKE-UP WELDMENT
7	9002-7180	2	90 DEGREE BULKHEAD FITTING
8	9020-0313	2	SPRING
9	9020-7041	2	SPRING RETAINER
10	8850-1008	2	HEX NUT, 1/2-13
11	8850-1108	2	HEAVY HEX JAM NUT, 1/2-13
12	8471-8025	2	HOSE ASSY
13	9104-3321	2	BULKHEAD UNION, (Before S/N 2005283-01)
	8866-1085	2	BULKHEAD UNION, 3/4-16X1/2 TUBE, (S/N 2005283-01 & After)
14	9116-3138	1	MALE HYDRAULIC COUPLER, (Before S/N 2005283-01)
	9140-3414	1	MALE HYDRAULIC COUPLER, (S/N 2005283-01 & After)
15	8871-2304	2	PIPE BUSHING, 1/2 X 3/8, (Before S/N 2005283-01)
	9108-3335	2	ADAPTER, (S/N 2005283-01 & After)
16	9104-3125	1	DUST PLUG
17	9116-3139	1	FEMALE HYDRAULIC COUPLER, (Before S/N 2005283-01)
	9140-3413	1	FEMALE HYDRAULIC COUPLER, (S/N 2005283-01 & After)
18	9104-3126	1	DUST CAP
19	9020-6200	10"	TRIM-LOK
20	9020-5870	2	SHIM
21	1440-2248	AR	3M ADHESIVE
22	9020-7463	10	CUSHION CLAMP
23	9020-6194	14"	TRIM-LOK
24	9020-6196	18"	TRIM-LOK
25	9020-6888	2	HOSE ASSY
26	9103-1069	1	SPACER
27	9104-3100	1	SHEAVE

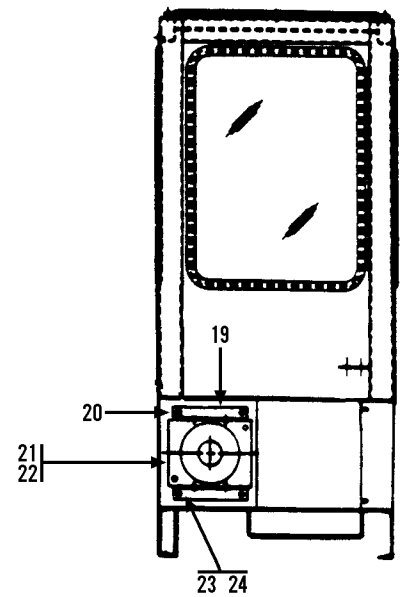
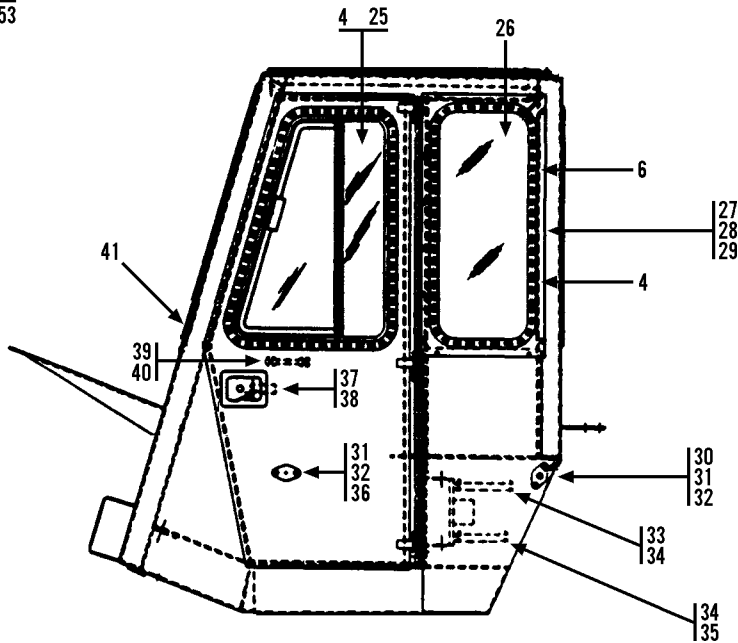
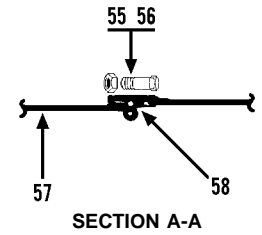
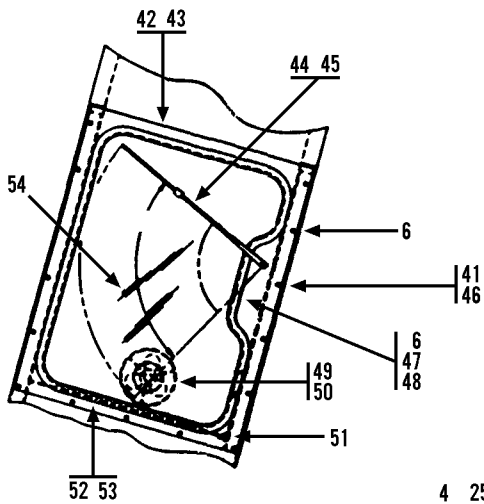
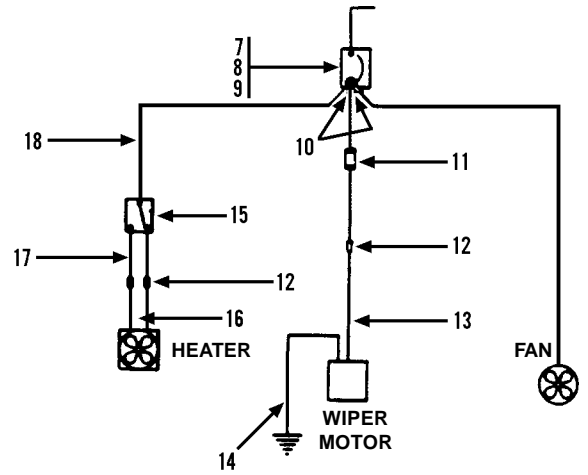
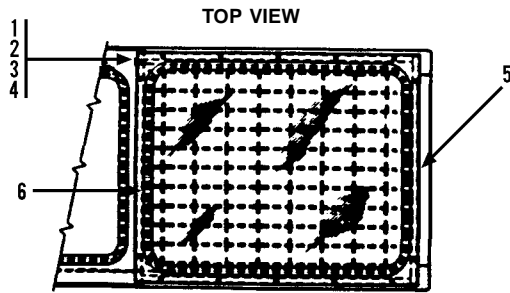


Item	Part No.	Qty.	Description Of Part
	9103-5266	Ref	TILT ON JOYSTICK (includes all items)
1	8866-1306	1	UNION TEE, 1/2 TUBE
2	8471-8323	1	HOSE ASSY
3	8866-2035	1	CONNECTOR (includes O-ring)
	8859-1204	1	O-RING
4	8866-2105	2	ELBOW, 90 DEGREES (swivel nut)
5	7713-3196	1	HOSE ASSY
6	9130-3038	1	FOUR-WAY SOLENOID VALVE
7	8820-1009	2	HEX HD CAPSCREW, 1/4-20 X 2, GR5
8	8856-1107	2	FLAT WASHER, 1/4
9	8855-1009	2	LOCKWASHER, 1/4
10	8850-1004	2	HEX NUT, 1/4-20
11	8866-2005	2	CONNECTOR (includes O-ring)
	8859-1204	2	O-RING
12	8866-2064	2	ELBOW, 90 DEGREES (includes O-ring)
	8859-1204	2	O-RING
13	9108-5071	1	ORIFICE FITTING
14	9020-7719	2	JUMPER WIRE
15	8866-2239	1	SWIVEL NUT RUN TEE, 3/8 TUBE
16	7713-3447	1	HOSE ASSY

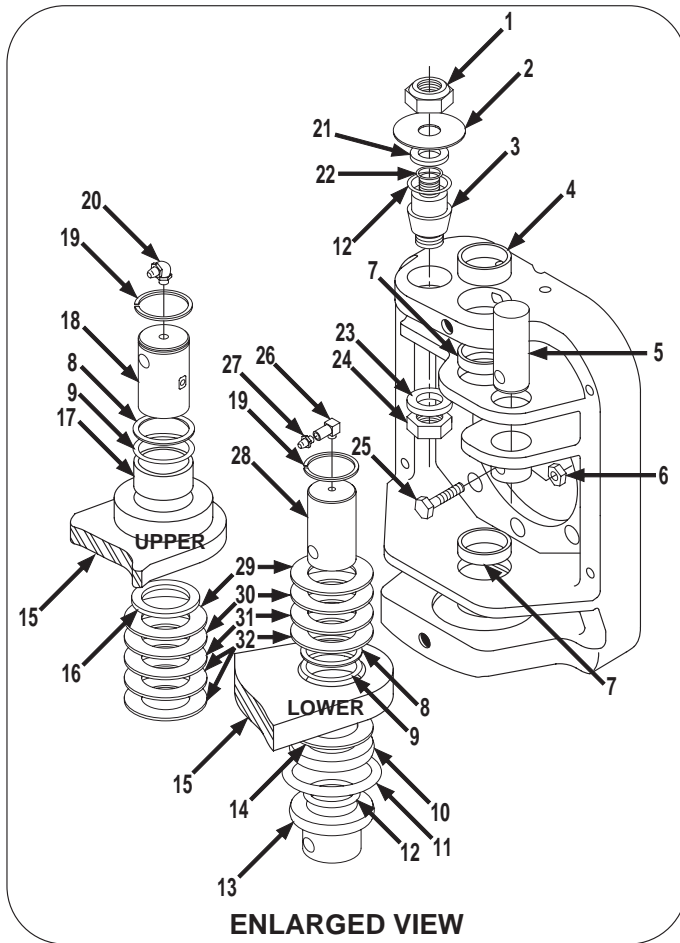
Item	Part No.	Qty.	Description Of Part
17	8471-7956	1	HOSE ASSY
18	9103-3488	2	ORIFICE PLATE
19	9103-3487	2	CHECKVALVE PLATE
20	9103-3483	1	ACTUATOR ASSY KIT
21		Ref	MAIN CONTROL VALVE (see page 10-7 for details)
22		Ref	JOYSTICK ASSY (see page 10-26 for details)
23	9130-3041	1	BOOM CONTROL DECAL
24	9104-3431	1	SWAY CONTROL PLATE
25	8698-3188	1	EYELET, #10 X 16-14
26	8668-3480	3	BUTT CONNECTOR, 16-14
27		31"	14 GAUGE WIRE, WHITE
28	7716-3102	2	FEMALE BLADE, 16-14
29		31"	14 GAUGE WIRE, BLACK
30		62"	14 GAUGE WIRE, RED
			NOTE: ONLY ITEMS WITH PART NUMBERS ARE AVAILABLE FOR SERVICE.

GRADALL®
MATERIAL HANDLER
534B-9

OPTIONAL EQUIPMENT
(9103-5261) Cab Enclosure
 Original Issue 11-93
 Revised 2-18-94



Item	Part No.	Qty.	Description Of Part	Item	Part No.	Qty.	Description Of Part
	9103-5261	Ref	CAB ENCLOSURE (includes all items)	33	9020-6169	1	HEATER HOSE
1	9103-6119	1	TOP WINDOW FRAME	34	8668-3193	4	HOSE CLAMP
2		11'	WEATHER STRIP	35	9020-6170	1	HEATER HOSE
3		1	TOP WINDOW (see page 2-6 for details)	36	9020-5886	1	DOOR HOLD PLUNGER
4		24'	WEATHER STRIP	37	9020-3627	1	HANDLE
5	9002-7315	13	SELF-TAPPING SCREW	38	8820-1031	1	HEX HD CAPSCREW, 3/8-16 X 1/2, GR5
6	9002-7319	35	SELF-TAPPING SCREW	39	9020-3840	1	PULL HANDLE
7	9020-0506	1	CIRCUIT BREAKER, 30 AMP	40	8832-1039	2	SELF-TAPPING SCREW
8	8850-1613	2	HEX NUT, 10-32	41	9002-7214	2	BUTTON GROMMET
9	8855-4917	2	LOCKWASHER, #10	42	9103-1530	1	FRONT WINDOW FRAME
10	8698-3188	2	TERMINAL	43	1440-3190	AR	VULKEM CAULK
11	9020-3376	1	FUSE HOLDER	44	9103-3464	1	WIPER ARM
12	8668-3480	3	CRIMP-ON CONNECTOR	45	9103-3465	1	WIPER BLADE
13	9103-1486	1	JUMPER WIRE	46	9020-6023	1	WIPER MOTOR
14	9108-1599	1	JUMPER WIRE	47	8820-1003	1	HEX HD CAPSCREW, 1/4-20 X 3/4, GR5
15	7738-3744	1	HEATER SWITCH	48	8850-1004	1	HEX NUT, 1/4-20
16	9020-6134	2	JUMPER WIRE	49	9020-0680	1	DEFROSTER FAN
17	9103-1494	2	JUMPER WIRE	50	8832-1015	4	SELF-TAPPING SCREW
18	9103-1490	1	JUMPER WIRE	51	9108-3376	1	EMERGENCY EXIT DECAL (located on corner post next to emergency release cord)
19	9103-1521	2	HEATER MOUNTING BRACKET	52		10'	CHANNEL MOULDING
20	8820-1005	4	HEX HD CAPSCREW, 1/4-20 X 1, GR5	53		10'	RELEASE FILLER STRIP
21	9104-3429	1	HEATER	54		1	FRONT WINDOW (see page 2-6 for details)
22	9100-3053	1	HEATER DECAL	55	8820-1039	4	HEX HD CAPSCREW, 3/8-16 X 2, GR5
23	7714-3004	4	WHIZ-LOK SCREW, 5/16-18 X 1-1/4	56	8850-1006	4	HEX NUT, 3/8-16
24	7714-3006	4	WHIZ-LOK NUT, 5/16-18	57	9080-1238	1	DOOR
25	9104-3437	1	SLIDING DOOR WINDOW	58	9040-3082	1	DOOR POST
26		1	LEFT SIDE WINDOW (see page 2-6 for details)				NOTE: ONLY ITEMS WITH PART NUMBERS ARE AVAILABLE FOR SERVICE.
27	9103-1507	1	LEFT SIDE WINDOW FRAME				
28	1440-3190	AR	VULKEM CAULK				
29		7'	WEATHER STRIP				
30	9020-5888	1	PLUNGER SOCKET				
31	8830-1309	4	FLAT HD MACHINE SCREW, 1/4-20 X 3/4				
32	8852-1304	4	HEX LOCKNUT, 1/4-20				

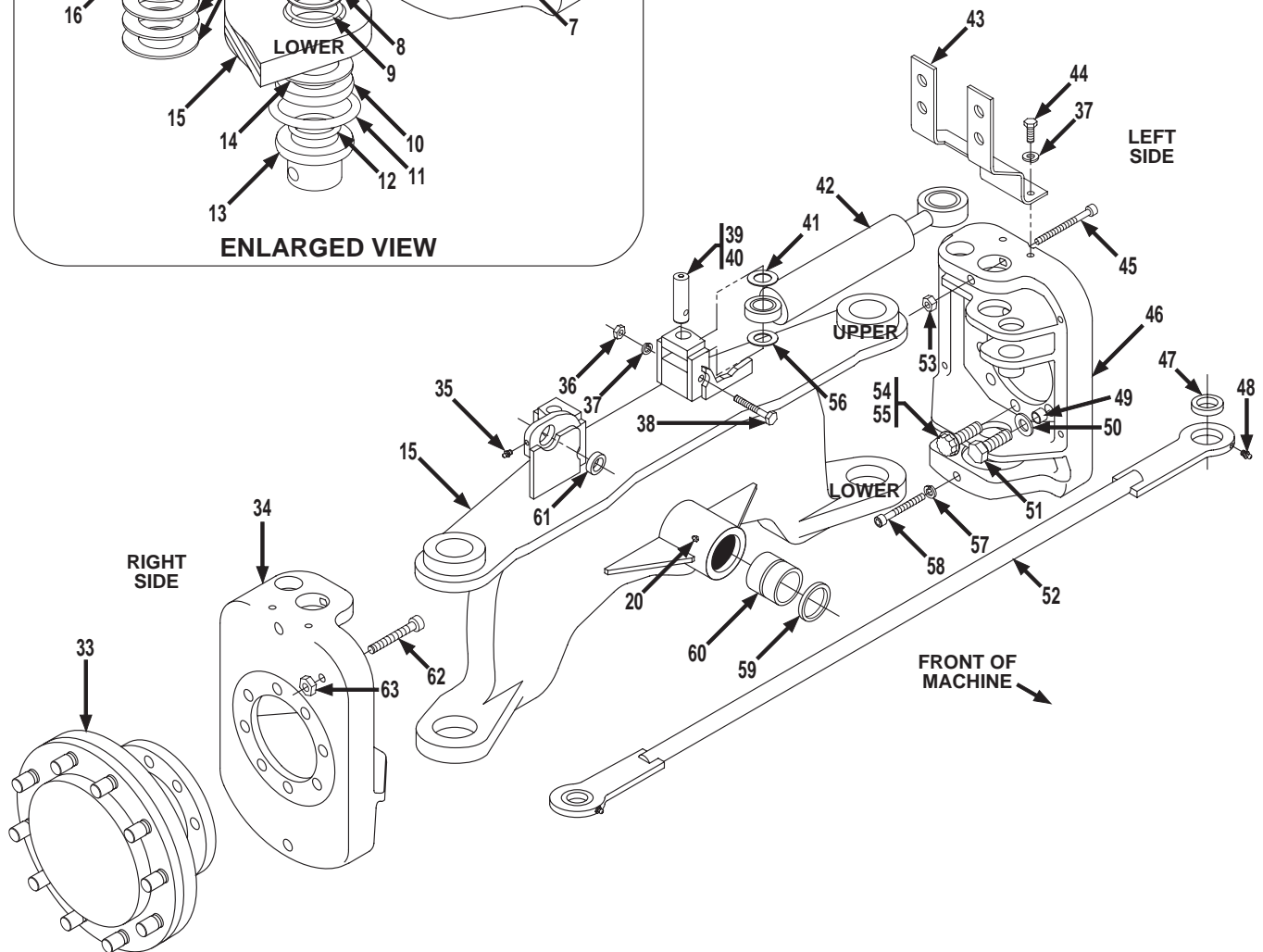


NOTE #1: CUSTOMER TO USE EXISTING WHEEL HUBS & HARDWARE, DRIVE MOTORS, DRIVE MOTOR TUBE ASSEMBLIES, AND DRAIN LINE HOSES OR ORDER SEPARATELY IF REPLACEMENT IS REQUIRED.

NOTE #2: CYLINDER BASE END MUST BE FREE TO ROTATE. SHIM STEER CYLINDER BASE END AS REQUIRED TO MAINTAIN A TOTAL MAX. GAP OF 1/16".

NOTE #3: SHIM BOTTOM KNUCKLES AS REQUIRED TO MAINTAIN NO MORE THAN 1/32" MOVEMENT. SHIM TOP KNUCKLES AS REQUIRED TO MAINTAIN NO MORE THAN 1/16" GAP. MUST HAVE A MINIMUM OF ONE SHIM.

NOTE #4: ITEM 55 TO BE USED WITH FAIRFIELD HUBS ONLY.



NOTE #1: CUSTOMER TO USE EXISTING WHEEL HUBS & HARDWARE, DRIVE MOTORS, DRIVE MOTOR TUBE ASSEMBLIES, AND DRAIN LINE HOSES OR ORDER SEPARATELY IF REPLACEMENT IS REQUIRED.

NOTE #2: CYLINDER BASE END MUST BE FREE TO ROTATE. SHIM STEER CYLINDER BASE END AS REQUIRED TO MAINTAIN A TOTAL MAX. GAP OF 1/16".

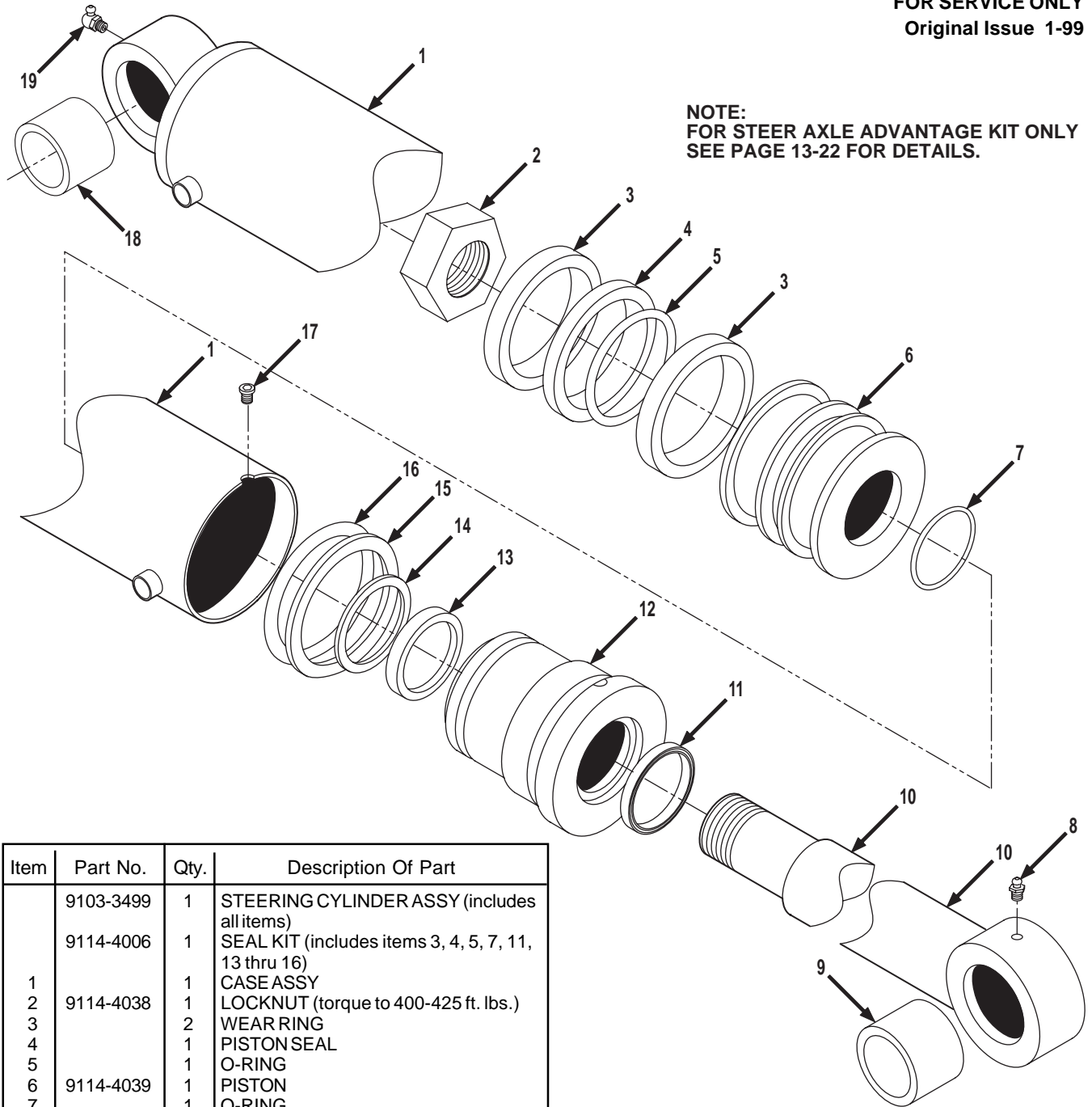
NOTE #3: SHIM BOTTOM KNUCKLES AS REQUIRED TO MAINTAIN NO MORE THAN 1/32" MOVEMENT. SHIM TOP KNUCKLES AS REQUIRED TO MAINTAIN NO MORE THAN 1/16" GAP. MUST HAVE A MINIMUM OF ONE SHIM.

NOTE #4: ITEM 55 TO BE USED WITH FAIRFIELD HUBS ONLY.

Item	Part No.	Qty.	Description Of Part	Item	Part No.	Qty.	Description Of Part
	9104-5129	Ref	STEER AXLE ADVANTAGE KIT (includes all items except 33, 50 & 51)	31	9104-1450	AR	SHIM (.0478 thick, see note #3)
	9103-5240	1	STEERING KNUCKLE KIT (includes items 2,4, 7 thru 14, 16 thru 22, 28 thru 32, 45, 53, 57 & 58 - one kit does both sides)	32	9104-1451	AR	SHIM (.106 thick, see note #3)
	9104-5152	Ref	STEERING CYLINDER PIN KIT (includes one each of items 1, 2, 3, 12 & 21 thru 24 - one kit needed for each side)	33		2	DRIVE HUB (use existing hubs)
1	8852-1312	2	HEX LOCKNUT, 3/4-10 (torque to 160-175 ft.lbs.)	34	9112-0004	1	R.H. STEERING KNUCKLE
2	9108-1415	2	DIRT SHIELD	35	8867-1008	2	LUBE FITTING, STRAIGHT, 1/4-28
3	9104-1481	2	STEERING CYLINDER PIN (knuckle end)	36	8850-1006	2	HEX NUT, 3/8-16
4	9112-1239	2	BUSHING	37	8855-1011	6	LOCKWASHER, 3/8
5	9104-1439	2	TIE ROD PIN	38	8320-1144	2	HEX HD CAPSCREW, 3/8-16X5-3/4, GR5
6	8852-1306	2	LOCKNUT, 3/8-16	39	9108-1695	2	STEERING CYLINDER PIVOT PIN (axle end)
7	9112-1240	4	BUSHING	40	8871-1280	2	HEX SOCKET PIPE PLUG, 1/8
8	9112-3030	4	BACK-UP RING	41	9104-1598	AR	SHIM (see note #2)
9	8859-1032	4	O-RING	42		2	STEERING CYLINDER ASSY (see page 13-23 for details)
10	9112-3027	2	BUSHING (lower)	43	9108-1523	1	L.H. TUBE SUPPORT
11	9112-3029	2	O-RING		9108-1522	1	R.H. TUBE SUPPORT
12	8859-1104	4	O-RING	44	8820-1035	4	HEX HD CAPSCREW, 3/8-16X1, GR5
13	9112-1091	2	THRUST BUSHING	45	8821-1121	2	SOCKET HD CAPSCREW, 1/2-13X6-1/2, GR8
14	9104-1733	AR	SHIM	46	9112-0003	1	L.H. STEERING KNUCKLE
15	9104-6126	1	REAR AXLE WELDMENT (includes items 10, 17, 60 & 61)	47	9104-3247	2	SELF-ALIGNING BUSHING
16	8692-1268	2	LIP SEAL	48	8867-1001	2	LUBE FITTING, STRAIGHT, 1/8
17	9112-3028	2	BUSHING (upper)	49	9104-1731	16	SPACER
18	9108-1693	2	UPPER KING PIN	50		12	HARDENED WASHER, 3/4 (use existing hardware)
19	8858-1323	4	RETAINING RING	51		12	HEX HD CAPSCREW, 3/4-10X2 (use existing hardware)
20	8867-1022	4	LUBE FITTING, 30 DEGREES, 1/8	52	9116-6063	1	TIE ROD (includes item 47)
21	9104-1732	AR	SPACER	53	8852-1208	2	HEX LOCKNUT, 1/2
	9104-1438	AR	SPACER	54	9104-3222	2	12 PT. SCREW, 3/4-10X2, GR8 (lubricate & torque to 270-290 ft. lbs.) (see note #4)
22	8859-1019	2	O-RING	55	9104-3494	2	12PT. SCREW, 5/8-1X2-1/4, GR8 (torque to 200 ft. lbs.) (see note #4)
23	9104-1459	2	WASHER	56	9020-1918	AR	SHIM (10 gauge thick, see note #2)
24	8850-1416	2	HEX JAM NUT, 1-14 (torque to 225-250 ft. lbs.)	57	8855-1153	2	LOCKWASHER, 5/8
25	8320-1140	2	HEX HD CAPSCREW, 3/8-16X2-3/4, GR8	58	8821-2321	2	SLOT HD CAPSCREW, 5/8-11X3-3/4, GR8
26	9103-3444	2	STREET ELBOW	59	2460-1570	2	LIP SEAL
27	9103-3445	2	LUBE FITTING	60	9112-3031	2	BUSHING
28	9114-1424	2	LOWER KING PIN	61	9104-1489	2	BUSHING
29	9104-1596	AR	SHIM (20 gauge thick, see note #3)	62	8821-2321	2	SOCKET HD CAPSCREW, 5/8-11X3-3/4, GR8
30	9104-1449	AR	SHIM (.060 thick, see note #3)	63	8850-1110	2	HEAVY HEX JAM NUT, 5/8-11

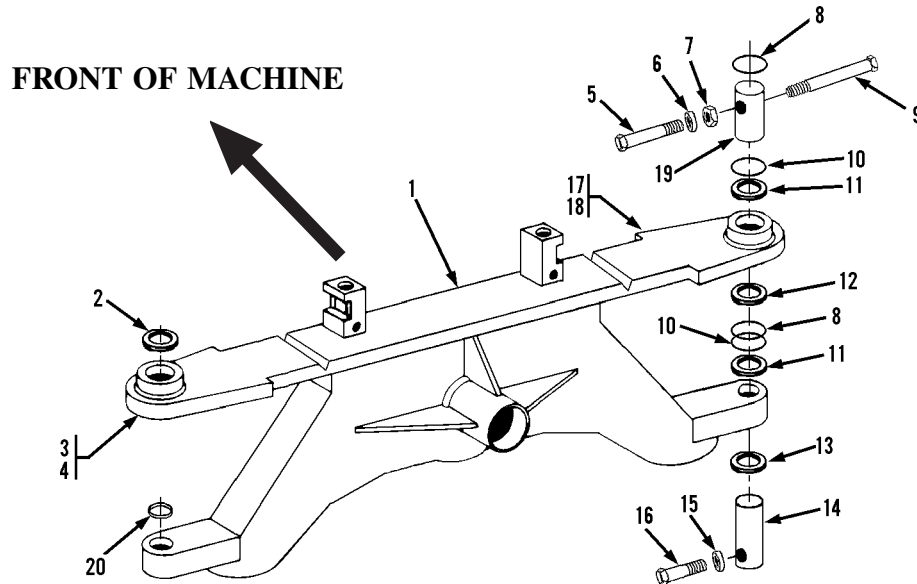
GRADALL®
MATERIAL HANDLER
534B-9

OPTIONAL EQUIPMENT
(9103-3499) Steering Cylinder
Steer Axle Advantage Kit (Only)
FOR SERVICE ONLY
Original Issue 1-99

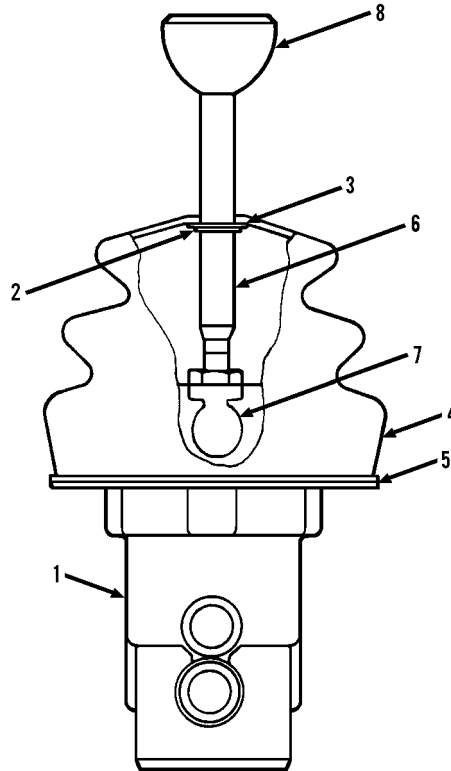


NOTE:
FOR STEER AXLE ADVANTAGE KIT ONLY
SEE PAGE 13-22 FOR DETAILS.

Item	Part No.	Qty.	Description Of Part
	9103-3499	1	STEERING CYLINDER ASSY (includes all items)
	9114-4006	1	SEAL KIT (includes items 3, 4, 5, 7, 11, 13 thru 16)
1		1	CASE ASSY
2	9114-4038	1	LOCKNUT (torque to 400-425 ft. lbs.)
3		2	WEAR RING
4		1	PISTON SEAL
5		1	O-RING
6	9114-4039	1	PISTON
7		1	O-RING
8	9114-4128	1	LUBE FITTING
9	9114-4042	1	BUSHING
10	9114-4041	1	ROD ASSY
11		1	WIPER
12	9114-4040	1	CYLINDER HEAD (torque to 100-400 ft. lbs.)
13		1	U-CUP
14		1	STEP SEAL
15		1	BACK-UP RING
16		1	O-RING
17	9112-4096	1	SELF TAPPING SCREW
18	9114-4267	1	BUSHING
19	9114-4125	1	LUBE FITTING
			NOTE: ONLY ITEMS WITH PART NUMBERS ARE AVAILABLE FOR SERVICE.



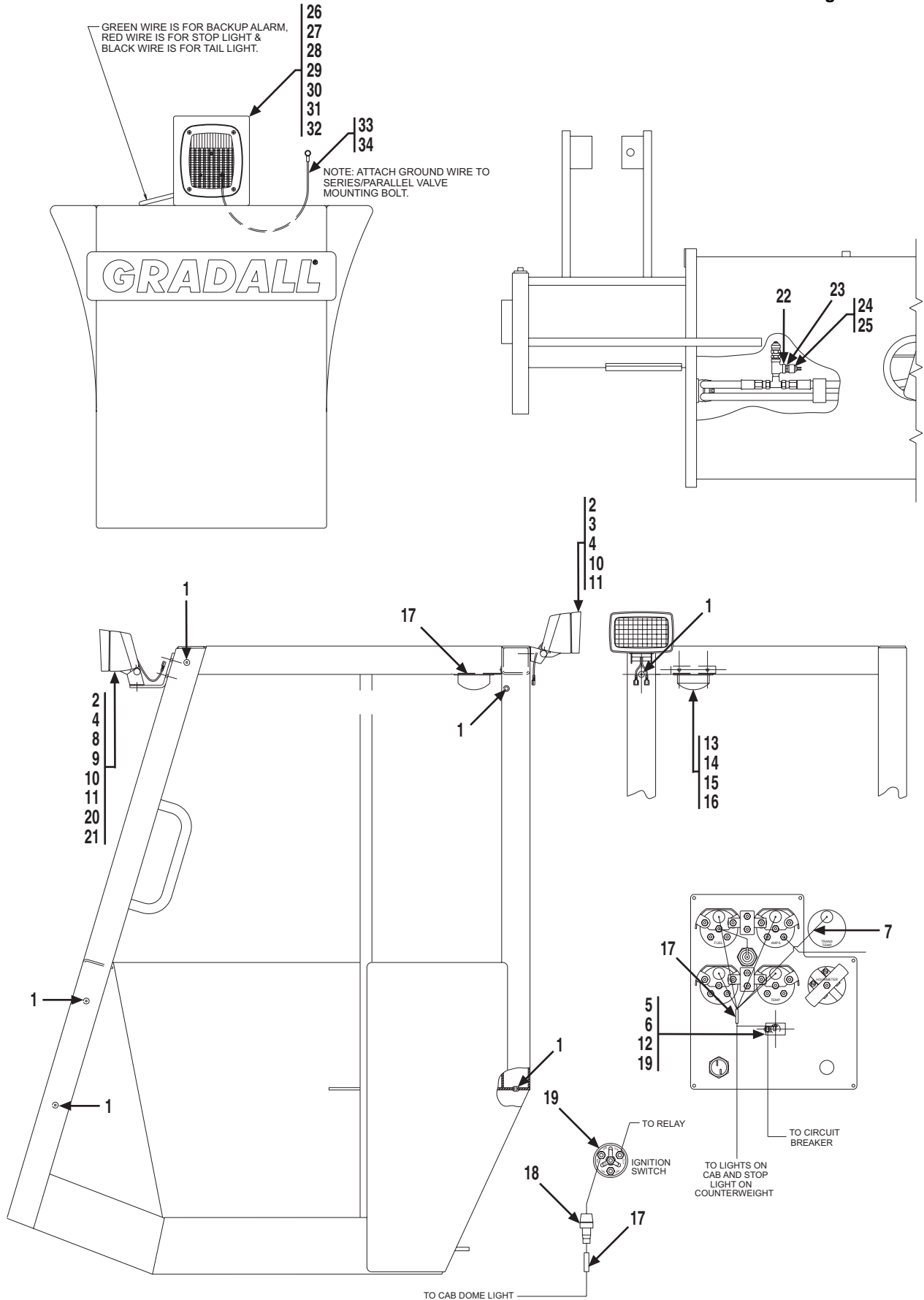
Item	Part No.	Qty.	Description Of Part
	9114-5136	1	REAR AXLE REWORK KIT, (includes all items)
1		1	REAR AXLE WELDMENT
2	9112-3028	2	BUSHING
3	9114-5134	1	LUG REWORK ASSY, (includes items 2 & 4)
4	9114-6111	1	LUG WELD
5	8821-1117	2	SOCKET HEAD CAPSCREW, 1/2-13x4-1/2, GR8
6	8855-1109	2	LOCKWASHER, 1/2
7	8852-1208	2	HEX LOCKNUT, 1/2
8	8858-1323	4	RETAINING RING
9	8821-1121	2	SOCKET HEAD CAPSCREW, 1/2-13X6-1/2, GR8
10	9112-3030	4	BACK-UP RING
11	8859-1032	2	O-RING
12	8692-1268	2	LIP SEAL
13	9112-3029	2	O-RING
14	9114-1424	2	LOWER KING PIN
15	8855-1153	2	LOCKWASHER, 5/8
16	8821-2321	2	SOCKET HEAD CAPSCREW, 5/8-11x3-3/4, GR8
17	9114-5135	1	LUG REWORK ASSY, (includes items 2 & 18)
18	9114-6112	1	LUG WELD
19	9108-1693	2	UPPER KING PIN
20	9112-3027	2	BUSHING



Item	Part No.	Qty.	Description Of Part
	9104-3064	1	HYDRAULIC CONTROLLER ASSY (includes all items)
	9900-7524	4	PLUNGER SEAL KIT (includes one each of the following; u-cup, o-ring seal, retainer & o-ring)
1	9104-4131	1	HYDRAULIC CONTROLLER
2	9104-4132	1	RETAINING RING
3	9104-4133	1	WASHER
4	9104-4134	1	BOOT
5	9104-4135	1	RETAINER
6	9104-4136	1	HANDLE ASSY (includes knob, handle rod & hex jam nut)(lubricate & tighten jam nut to 12-15 ft.lbs.)
7	9104-4474	1	BALL ASSY (includes ball pivot race, ball pivot, cam plate, handle adapter and top mounting plate)
8	9104-4525	1	KNOB

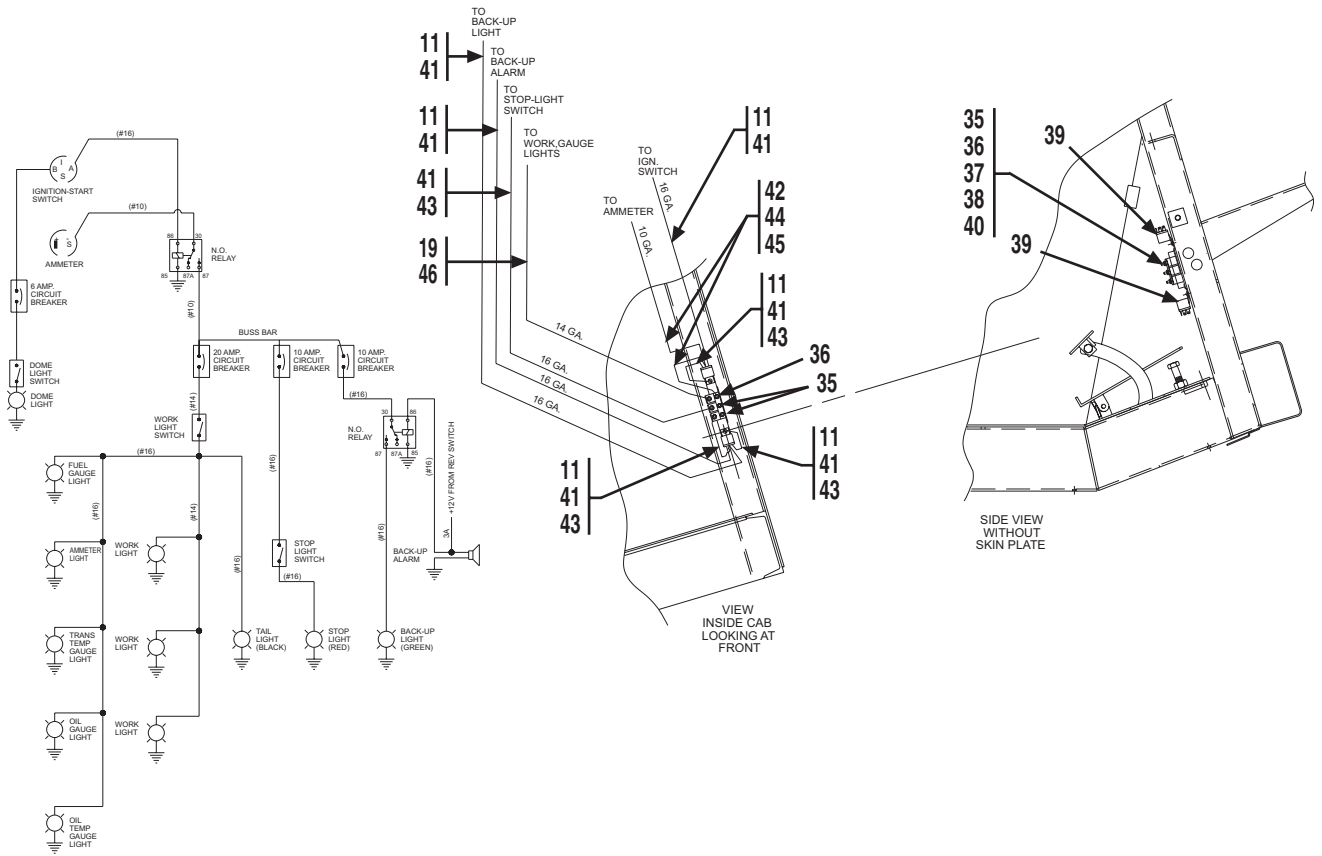
GRADALL®
MATERIAL HANDLER
534B-9

OPTIONAL EQUIPMENT
(9103-5253) Work Light Package
Starting Serial No. 0144860S
Original Issue 10-00



GRADALL®
MATERIAL HANDLER
534B-9

OPTIONAL EQUIPMENT
(9103-5253) Work Light Package
 Starting Serial No. 0144860S
 Original Issue 10-00



Item	Part No.	Qty.	Description Of Part	Item	Part No.	Qty.	Description Of Part
	9103-5253	1	WORK LIGHT PACKAGE, (includes all items)	26	9112-1145	1	TAIL LIGHT HOUSING
1	9002-7214	7	BUTTON GROMMET	27	9112-1146	1	TAIL LIGHT BRACKET
2	9112-5110	3	HALOGEN WORKLIGHT KIT, (includes the following two items)	28	9136-5045	1	TAIL LIGHT ASSEMBLY, (includes the following seven items)
	8096-3050	1	UTILITY FLOOD LIGHT		9112-3065	1	TAIL LIGHT
	9002-8960	2	MALE TERMINAL		8666-1147	38"	WIRE, 16 GAUGE, (black)
3	8820-1031	1	HEX HD CAPSCREW, 3/8-16X1/2, GR5		8666-1149	38"	WIRE, 16 GAUGE, (green)
4	8855-1011	3	LOCKWASHER, 3/8		8666-1152	38"	WIRE, 16 GAUGE, (red)
5	9100-3055	1	LIGHTS DECAL		8668-3480	3	BUTT CONNECTOR
6	7738-3467	1	LIGHT SWITCH		8203-3996	45"	WIRE LOOM
7	9103-3360	5	GAUGE LIGHTING KIT		8668-3122	2	TIE WRAP
8	9103-1528	2	MOUNTING BRACKET	29	8820-1108	1	HEX HD CAPSCREW, 3/4-10X1-1/4, GR5
9	8820-1035	2	HEX HD CAPSCREW, 3/8-16X1, GR5	30	8856-1115	1	FLAT WASHER, 3/4
10	9112-1150	3	JUMPER WIRE	31	8855-1016	1	LOCKWASHER, 3/4
11	7716-3102	9	SLIP-ON ELECTRICAL CONNECTION	32	7716-3105	3	BULLET RECEPTACLE
12	7738-3470	1	BOOT	33	8698-3191	1	EYELET
13	9101-1009	1	MOUNTING BRACKET	34	8688-3260	1	EYELET
14	9002-9955	1	RUBBER GROMMET	35	8688-3071	2	CIRCUIT BREAKER, 10 AMP
15	8832-1022	2	SELF TAPPING SCREW, #8-32X3/8	36	8698-3041	1	CIRCUIT BREAKER, 20 AMP
16	2486-1167	1	INTERIOR LIGHT	37	7736-3191	1	CIRCUIT BREAKER BRACKET
17	8668-3480	3	BUTT CONNECTOR	38	8698-1178	1	BUSSBAR
18	9020-3376	1	IN-LINE FUSE, 6 AMP	39	7738-3410	2	RELAY
19	8698-3188	4	EYELET	40	8832-1039	2	SELF TAPPING SCREW, #10-32X1/2
20	8850-1006	2	HEX NUT, 3/8-16	41	8666-1147	AR	WIRE, 16 GAUGE, (black)
21	9002-7319	4	DR & TAP SCREW, 1/4-20X1	42	8666-1174	AR	WIRE, 10 GAUGE, (black)
22	8871-2232	1	STREET TEE, 1/4	43	9103-3391	5	INSULATED RING TERMINAL
23	8871-1380	1	REDUCING BUSHING, 1/4X1/8	44	9103-3463	2	INSULATED FEMALE SPADE
24	8366-3097	1	STOP LIGHT SWITCH	45	8698-3190	2	INSULATED RING TERMINAL
25	8348-3075	2	EYELET	46	8666-1156	AR	WIRE, 14 GAUGE, (black)



Corporate Office
JLG Industries, Inc.
1 JLG Drive
McConnellsburg PA. 17233-9533
USA
Phone: (717) 485-5161
Fax: (717) 485-6417

JLG Worldwide Locations

JLG Industries (Australia)
P.O. Box 5119
11 Bolwarra Road
Port Macquarie
N.S.W. 2444
Australia
Phone: (61) 2 65 811111
Fax: (61) 2 65 810122

JLG Latino Americana Ltda.
Rua Eng. Carlos Stevenson,
80-Suite 71
13092-310 Campinas-SP
Brazil
Phone: (55) 19 3295 0407
Fax: (55) 19 3295 1025

JLG Industries (UK)
Unit 4& 5
Bentley Avenue
M24 2GP Middleton
England
Phone: (44) 161 654 1000
Fax: (44) 161 654 1003

JLG EQS
Z. I. De Beaulieu
47400 Fauillet
France
Phone: (33) 553 848 584
Fax: (33) 553848588

JLG Deutschland GmbH
Max Planckstrasse 21
D-27721 Ritterhude/Ilhpohl
Bei Bremen
Germany
Phone: (49) 421 693 500
Fax: (49) 421 693 5035

JLG Equipment Services Ltd.
Rm 1107 Landmark North
39 Lung Sum Avenue
Sheung Shui N. T.
Hong Kong
Phone: (852) 2639 5783
Fax: (852) 2639 5797

JLG Industries (Italia)
Via Po. 22
20010 Pregnana Milanese - MI
Italy
Phone: (39) 029 359 5210
Fax: (39) 029 359 5845

JLG Europe B.V.
Polaris Avenue 63
2132 JH Hoofddorp
The Netherlands
Phone: (31) 235 655 665
Fax: (31) 235 572 493

JLG Polska
Ul. Krolewska
00-060 Warszawa
Poland
Phone: (48) 914 320 245
Fax: (48) 914 358 200

JLG Industries (Scotland)
Wright Business Centre
1 Lonmay Road
Queenslie, Glasgow G33 4EL
Scotland
Phone: (44) 141 781 6700
Fax: (44) 141 773 1907

Plataformas Elevadoras
JLG Iberica, S.L.
Trapadella, 2
P.I. Castellbisbal Sur
08755Castellbisbal, Barcelona
Spain
Phone: (34) 937 724 700
Fax: (34) 937 711 762

JLG Industries (Sweden)
Enkopingsvagen 150
Box 704
SE - 17527 Jarfalla
Sweden
Phone: (46) 850 659 500
Fax: (46) 850 659 534
