

GRADALL®

Illustrated Parts Manual

Models
522D LoPro
524D LoPro

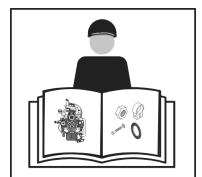
S/N 0191001

P/N - 9148-4013

Revised July 6, 2007



JLG®



SECTION 1 — INTRODUCTION

Table of Contents 1-1 thru 1-4
 Alphabetical Index 1-5 thru 1-8
 Service Kits 1-9, 1-10
 Part Number Index 1-11 thru 1-22

SECTION 2 — CHASSIS & ATTACHING PARTS

Frame Shrouding & Trim 2-1
 Open Cab 2-2
 Rear Axle & Attaching Parts 2-3
 Front Axle Mounting 2-4

SECTION 3 — BOOM

First Boom Section 3-1
 Second Boom Section 3-2
 Quick Switch 3-3

SECTION 4 — ATTACHMENTS

Carriage Assembly 4-1
 Quick Switch Carriage Assembly 4-2
 Buckets 4-3
 10' Truss Boom Assembly 4-4
 Truss Boom w/Winch 4-5
 6' Mast Assembly 4-6
 100 Degree Swing Fork Assembly 4-7
 66" Slope Piler Carriage Assembly 4-8
 48" Slope Piler Carriage Assembly 4-9
 Carriage Forks 4-10
 Personnel Platform Assembly 4-11

SECTION 5 — ENGINE & ATTACHING PARTS

Engine Left Side View	5-1
Engine Right Side View	5-2
Engine Pump Mount & Flywheel Housing	5-3
Fuel Tank & Lines	5-4
Radiator Assembly	5-5
Air Cleaner Piping	5-6
Air Cleaner	5-7
Exhaust System	5-8

SECTION 6 — DRIVE TRAIN

Front Axle Assembly	6-1
Front Axle Housing	6-2
Front Axle Differential Carrier	6-3
Brake Assembly	6-4
Front Axle Shaft & Planetary Wheel End	6-5
Rear Steering Axle Drive Hub	6-6
Wheels & Tires	6-7

SECTION 7 — CONTROLS

Tilt Lever Assembly	7-1
Accelerator Pedal Assembly	7-2
Steering Column & Attaching Parts	7-3
Floorplate Components	7-4
Brake & Inching Linkage	7-5

SECTION 8 — BRAKES

Service/Parking Brake Lines	8-1
-----------------------------------	-----

SECTION 9 — HYDRAULIC CIRCUITS

Oil Supply & Pressure Lines	9-1
Dump Circuit	9-2
Drive Circuit (front)	9-3
Drive Circuit (rear)	9-4
Lift Cylinder	9-5
Crowd Cylinder	9-6
Tilt & Tilt Compensating Cylinder	9-7
Steering Cylinder	9-8
Joystick Circuit	9-9

SECTION 10 — HYDRAULIC COMPONENTS

Lift Cylinder	10-1
Crowd Cylinder	10-2
Tilt Cylinder	10-3
Compensating Cylinder	10-4
Steering Cylinder	10-5
Main Hydraulic Control Valve	10-6
Rear Drive Motor	10-7
Priority Flow Control Valve	10-8
Flow Divider Valve	10-9
Brake Valve	10-10
Solenoid Valve	10-11
Inching Valve	10-12
Main Hydraulic Pump	10-13
Hydrostatic Transmission Pump	10-14
Front Drive Motor	10-15
Hydraulic Reservoir & Filter	10-16
Joystick Assembly	10-17
Traction Lock Valve	10-18
Quick Start Cylinder & Valve Assembly	10-19
Truss Boom Winch	10-20
Winch Motor	10-21
Crossover Valve	10-22

SECTION 11 — ELECTRICAL

Dash Panel 11-1
Engine Wiring Harness 11-2
Dash Harness Assembly 11-3
Gauge Panel Assembly 11-4
Battery & Cables 11-5

SECTION 12 — MISCELLANEOUS

Cab & Frame Decals 12-1
Boom Decals 12-2

SECTION 13 — OPTIONAL EQUIPMENT

Cab Enclosure Kit (featuring Skylight and Wiper Assembly) 13-1
Cab Enclosure Kit (featuring Left Hand Side Assembly) 13-2
Cab Enclosure Kit (featuring Cab Glass) 13-3
Cab Enclosure Installation Kit 13-4
Cab Enclosure Installation Kit 13-5
Cab Heater Option 13-6
Heater Assembly 13-7
Inline By-pass 13-8
Tow Hook Installation 13-9
Joystick Installation (Tilt on Joystick) 13-10
Main Control Valve w/ Auxiliary Hydraulics 13-11
Auxiliary Hydraulics Assembly (2 Section Boom) 13-12
Auxiliary Electronics Assembly (2 Section Boom) 13-13
R.H. Auxiliary Hydraulic Assembly (2 Section Boom) 13-14
Foam Filled Tire Assembly (2 Section Boom) 13-15
L.H. Tilt Assembly 13-16
3 Section Boom Assembly 13-17
Crowd Cylinder Assembly (3 Section Boom) 13-18
R.H. Auxiliary Hydraulic Assembly (3 Section Boom) 13-19
Auxiliary Hydraulic Assembly (3 Section Boom) 13-20
Auxiliary Electronics Assembly (3 Section Boom) 13-21
Beacon Light Package 13-22
Work Light Package 13-23
Windshield/Top Window Kit Installation 13-24

ACCELERATOR CABLE	5-1
ACCELERATOR PEDAL	7-2
AIR CLEANER	5-7
AIR CLEANER ELEMENT	5-7
AIR CLEANER SERVICE INDICATOR	5-6
AIR FILTER, OPTIONAL	13-10
ALTERNATOR	5-2
ATTACHMENTS	4-1 thru 4-9
AUXILIARY ELECTRONICS (2 Section Boom)	13-13
AUXILIARY ELECTRONICS (3 Section Boom)	13-21
AUXILIARY HYDRAULICS (2 Section Boom)	13-12
AUXILIARY HYDRAULICS (3 Section Boom)	13-20
BATTERY	11-5
BATTERY HOLD DOWN	11-5
BATTERY CABLES	11-5
BEACON LIGHTS	13-22
BOOM DECALS	12-2
BOOM SECTIONS (2 Section Boom)	3-1 thru 3-2
BOOM, OPTIONAL (3 Section Boom)	13-17
BRAKE PEDAL	7-5
BRAKE VALVE	10-10
BRAKE WARNING LIGHT	11-4
BREATHER (Filler cap)	10-16
BUCKETS	4-3
CAB ENCLOSURE KIT	13-1 thru 13-3
CARRIAGE	4-1
COMPENSATING CYLINDER	10-4
COMPENSATING CYLINDER HYDRAULIC CIRCUIT	9-7
CONTROL VALVES	10-6, 10-8, 10-9
CROWD CYLINDER	10-2
CROWD CYLINDER (3 Section Boom)	13-18
CROWD CYLINDER HYDRAULIC CIRCUIT	9-6
DASH HARNESS	11-3
DECALS	12-1 thru 12-2
DECK	2-1
DRIVE CIRCUIT (Front)	9-3
DRIVE CIRCUIT (Rear)	9-4
DUMP CIRCUIT	9-2

ELECTRICAL SYSTEMS	11-1 thru 11-4
ENGINE LEFT SIDE VIEW	5-1
ENGINE MOUNT	5-1
ENGINE RIGHT SIDE VIEW	5-2
ENGINE THROTTLE CONTROL	5-1
EXHAUST PIPE	5-8
EXHAUST SYSTEM	5-8
EXTENSION & RETRACTION CABLE ASSEMBLY	13-17
FILTERS (Hydraulic)	10-16
FILTER ELEMENT	10-16
FIRST BOOM SECTION	3-1
FIRST BOOM SECTION MOUNTING PIN	3-1
FLOORPLATE COMPONENTS	7-4
F-N-R SHIFTER	7-3
FOAM FILLED TIRE, OPTIONAL (2 Section Boom)	13-15
FRAME	2-1
FRAME SHROUDING & TRIM	2-1
FRONT AXLE	6-1
FRONT AXLE MOUNTING	2-4
FRONT AXLE DIFFERENTIAL CARRIER	6-3
FRONT AXLE DRIVE MOTOR	10-15
FRONT AXLE HOUSING	6-5
FRONT AXLE SHAFT & PLANETARY WHEEL END	6-5
FRONT BRAKE ASSEMBLY	6-4
FRONT DISC WHEEL & RIM	6-7
FUEL GAUGE	11-4
FUEL LEVEL SENDER	5-4
FUEL LINES	5-4
FUEL TANK & CAP	5-4
HEATER, OPTIONAL	13-7
HOOD	2-1
HORN	2-1
HORN BUTTON	11-3
HORN WIRING	11-3
HOURMETER	11-4
HYDRAULIC CIRCUITS	9-1 thru 9-9

IGNITION SWITCH	11-3
INCHING VALVE	7-4, 7-5, 10-12
INLINE BYPASS	13-8
INSTRUMENT PANEL	11-1, 11-4
JOYSTICK	9-9, 10-17
KITS	1-9, 1-10
LEFT HAND TILT CONTROL	13-16
LIFT CYLINDER	10-1
LIFT CYLINDER HYDRAULIC CIRCUIT	9-5
MAIN BOOM SECTIONS	3-1, 3-2
MAIN HYDRAULIC CONTROL VALVE	10-6
MAIN CONTROL VALVE W/ AUXILIARY HYDRAULICS	13-11
MAIN HYDRAULIC PUMP	5-1, 10-13
MUFFLER	5-8
NEGATIVE BATTERY CABLE	11-5
OIL COOLER	5-5, 9-2
OIL FILTER	5-1, 10-16
OIL PRESSURE GAUGE	11-4
OIL PRESSURE SENDER	5-1
OIL RESERVOIR	10-16
OIL SUPPLY & PRESSURE LINES	9-1
PERSONNEL PLATFORM	4-11
POSITIVE BATTERY CABLE	11-5
PRIORITY FLOW CONTROL VALVE	10-8
QUICK SWITCH ASSEMBLY	3-3
QUICK SWITCH MOUNTED CARRIAGE ASSEMBLY	4-2
RADIATOR & HOSES	5-5
REAR AXLE FRAME	2-3
REAR AXLE MOUNTING PIN	2-3
REAR DRIVE MOTOR	10-7
REAR STEERING AXLE	2-3
REAR STEERING AXLE DRIVE HUB	6-6

REPAIR KITS	1-9, 1-10
RESERVOIR FILLER-BREATHER	10-16
RESERVOIR SUPPLY CIRCUIT	9-1
RESERVOIR	10-16
RESERVOIR FILTER	10-16
RIGHT HAND AUXILIARY HYDRAULIC (2 Section Boom)	13-14
RIGHT HAND AUXILIARY HYDRAULIC (3 Section Boom)	13-19
SEAT	2-1
SEAT BELT	2-1
SECOND BOOM SECTION	3-2
SERVICE BRAKE LINES	8-1
SERVICE KITS	1-9, 1-10
SOLENOID VALVE	10-11
STARTER MOTOR	5-2
STEERING COLUMN	7-3
STEERING CYLINDER	10-5
STEERING CYLINDER HYDRAULIC CIRCUIT	9-8
STEERING KNUCKLES	2-3
STEERING ORBITROL	7-3
STEERING WHEEL	7-3
SUPPLY HYDRAULIC CIRCUIT	9-1
THERMAL BYPASS	13-8
THREE SECTION BOOM	13-17
THREE SECTION BOOM AUXILIARY HYDRAULICS	13-20
TIE ROD ARM	2-3
TILT CONTROL LEVER & LINKAGE	7-1
TILT CYLINDER	10-3
TILT CYLINDER HYDRAULIC CIRCUIT	9-7
TOWHOOK	13-9
TRACTION LOCK VALVE	5-2, 10-18
TRAVEL ALARM	2-1
WATER TEMPERATURE GAUGE	11-4
WATER TEMPERATURE SENDER	5-2
WHEELS & TIRES	6-7
WHEELS & TIRES, OPTIONAL (Foam Filled)	13-15
WIRING HARNESS	5-1, 11-2, 11-3
WORKLIGHTS, OPTIONAL	13-23

<u>SECTION</u>	<u>PAGE NO.</u>	<u>PART NUMBER</u>	<u>DESCRIPTION</u>
2	2-3	9141-5040	Steering Cylinder Pin Kit
5	5-1	9133-5033	Engine Filter Kit
6	6-3	9114-4382	Limited Slip Plate Stack Kit
6	6-3	9114-4383	Pinion Cage Shim Kit
6	6-3	9114-4384	Drive Pinion Shim Kit
6	6-3	9114-4385	Limited Slip Shim Kit
6	6-4	9114-4442	Brake Seal Kit
6	6-4	9114-4369	Brake Piston Plate Kit
6	6-4	9114-4370	Brake Plate & Seal Kit
6	6-4	9114-4371	Piston Brake Shim Kit
7	7-2	9114-4432	Cable Attachment Kit
7	7-2	9114-4197	Boot Kit
7	7-2	9114-4433	Heel Rest Kit
7	7-3	9114-4190	Steering Control Unit Seal Kit
7	7-3	9114-4448	Tie Strap & Boot Kit
10	10-1	9112-4071	Lift Cylinder Seal Kit
10	10-2	9108-4306	Crowd Cylinder Seal Kit
10	10-3	9108-4370	Tilt Cylinder Seal Kit
10	10-4	9103-4339	Compensating Cylinder Seal Kit
10	10-5	9108-4305	Steering Cylinder Seal Kit
10	10-6	9108-4203	Main Control Valve Stud Kit
10	10-6	9140-4178	MVC Section Seal Kit
10	10-6	9140-4179	MVC Main Relief Seal Kit
10	10-6	9108-4201	MVC Plug Seal Kit
10	10-6	9140-4180	MVC Seal Retainer Kit
10	10-6	9140-4181	MVC Spool Seal Kit
10	10-9	9108-4386	Flow Divider Valve Seal Kit
10	10-10	9108-4043	Brake Valve Repair Kit
10	10-12	9114-4459	Inching Valve Seal Kit
10	10-13	9108-4218	Main Hydraulic Pump Seal Kit
10	10-14	9108-4385	Hydrostatic Transmission Pump Seal Kit
10	10-15	9116-4109	Front Drive Motor Seal Kit

<u>SECTION</u>	<u>PAGE NO.</u>	<u>PART NUMBER</u>	<u>DESCRIPTION</u>
10	10-17	9130-4001	Joystick Seal Kit
10	10-17	9130-4025	Joystick Plunger Kit
10	10-18	9108-4284	Traction Lock Valve Seal Kit
12	12-1	9148-5007	Decal Kit
13	13-11	9140-4177	Main Control Valve w/ Aux Hyd Stud Kit
13	13-11	9140-4178	MCV w/ Aux Hyd Valve Section Seal Kit
13	13-11	9140-4179	MCV w/ Aux Hyd Main Relief Seal Kit
13	13-11	9108-4201	MCV w/ Aux Hyd Plug Seal Kit
13	13-11	9140-4180	MCV w/ Aux Hyd Seal Retainer Kit
13	13-11	9140-4181	MCV w/ Aux Hyd Spool Seal Kit
13	13-18	9133-3029	Crowd Cylinder Packing Kit

INDEX

PART NUMBER	PAGE	PART NUMBER	PAGE	PART NUMBER	PAGE
0510-1441	4-8, 4-9	7733-3027	12-1	8038-4185	13-2
1440-3416	11-5	7734-4055	6-6	8038-4187	13-2
2443-1386	4-6	7736-3223	11-4	8038-4191	13-2
2460-4172	2-1	7736-3225	11-3	8038-4206	13-1
2464-1328	13-5, 13-6	7736-3263	11-3	8038-4207	13-1
2474-1047	5-1	7736-3264	11-3	8038-4210	13-1
2477-1004	11-3	7736-3267	13-22	8038-4211	13-1
2486-1167	13-23	7736-3268	11-3, 13-5, 13-6, 13-23, 13-24	8038-4214	13-1
2486-1170	5-2, 11-1	7736-3302	13-23	8060-3022	12-1
2492-1332	5-6	7736-4316	10-17	8060-3026	12-1
7149-2142	5-4, 9-2	7736-4320	10-17	8060-3037	12-2
7207-1980	5-1	7738-3118	2-1	8062-3016	9-4
7208-8049	13-17	7738-3303	5-1	8063-3030	5-3, 9-1
7713-3052	9-2, 9-4, 9-8, 13-17	7738-3377	5-2	8093-4035	10-11
7713-3053	9-2, 9-4	7738-3410	13-23	8093-4036	10-11
7713-3073	9-8	7738-3467	11-4, 13-22, 13-23	8093-4038	10-11
7713-3136	7-4, 9-7	7738-3470	11-4, 13-5, 13-6, 13-13, 13-21, 13-22, 13-23	8093-4228	10-17
7713-3137	7-4, 8-1, 9-4, 9-7, 9-8	7738-3540	13-5, 13-6	8093-4230	10-17
7713-3139	9-5, 9-6, 13-12, 13-13, 13-14	7738-3567	11-5	8093-4231	10-17
7713-3140	4-7, 9-3, 9-5, 9-6, 9-7, 13-12, 13-13, 13-14, 13-21	7738-3580	6-1	8093-4233	10-17
7713-3141	13-13, 13-21	7738-3744	11-4, 13-5, 13-6	8093-4234	10-17
7713-3166	9-1	8000-3082	13-18	8093-4235	10-17
7713-3168	9-7, 13-13, 13-21	8000-3152	13-18	8093-4236	10-17
7713-3177	4-7, 9-3, 9-5, 9-6, 9-7, 13-12, 13-13, 13-14, 13-21	8000-3227	13-18	8093-4237	10-17
7713-3201	4-7	8000-3337	13-18	8093-4240	10-17
7713-3209	9-4, 9-8, 13-17	8000-3447	13-18	8093-4241	10-17
7713-3279	9-4	8021-4343	10-15	8093-4242	10-17
7713-3306	8-1, 9-8	8026-4033	13-2	8093-4244	10-17
7713-3390	8-1, 9-8	8026-4034	13-2	8093-4256	10-17
7713-3447	5-1, 9-4	8026-4046	13-2	8093-4257	10-17
7713-3497	9-3, 9-5	8026-4052	13-2	8093-4258	10-17
7713-3498	7-4, 9-3, 9-4, 9-5, 9-8	8026-4060	13-2	8093-4259	10-17
7713-3499	7-4, 9-3, 9-4, 9-8	8026-4061	13-2	8093-4263	10-17
7713-3893	9-8, 13-17	8026-4062	13-2	8093-4264	10-17
7714-3003	2-1, 9-9, 11-1, 11-5	8026-4066	13-1	8096-3050	13-23
7714-3004	13-4, 13-6	8026-4074	13-2	8096-3055	13-23
7714-3006	2-1, 5-5, 11-1, 11-5, 13-4, 13-6	8026-4078	13-2	8096-3056	13-23
7714-3013	2-1	8026-4082	13-2	8096-3057	11-2, 11-3, 13-4, 13-7
7714-3015	4-8, 4-9, 10-19, 11-5	8026-4084	13-2	8096-3058	5-1, 10-19, 11-2
7714-3017	13-4	8026-4091	13-2	8096-3059	11-2
7716-3102	13-4	8026-4108	13-2	8096-3060	9-9, 11-2, 13-10
7716-3204	13-13, 13-21	8027-4006	5-7	8096-3062	13-23
7732-1274	5-1	8036-4009	2-2, 13-1	8096-3065	5-1, 10-19, 11-3
7732-3029	8-1, 9-8	8036-4024	13-2	8096-3066	13-23
7733-1004	2-1	8036-4096	10-17	8096-3067	11-2, 13-4, 13-7
		8036-4098	10-17	8096-3068	11-2, 11-3, 13-4, 13-7, 13-23
		8036-4101	10-17	8096-3069	5-1, 9-9, 10-19, 13-10, 13-23
		8036-4110	10-17	8096-3101	11-4, 13-5, 13-24
				8096-4051	13-2

INDEX

PART NUMBER	PAGE	PART NUMBER	PAGE	PART NUMBER	PAGE
8203-3996	13-4, 13-7, 13-22, 13-23	8452-1056	5-5	8471-8861	9-3
8209-2118	5-1	8452-1062	4-8, 4-9	8471-8925	13-8
8307-3828	6-3	8471-2738	5-1, 5-2, 9-3, 9-4	8471-8926	13-8
8319-1004	5-2	8471-2739	9-3	8471-9038	9-1
8319-1005	5-2	8471-2746	5-4	8471-9042	9-8
8319-1006	5-2	8471-4006	5-1, 9-3	8471-9071	9-2
8319-1010	5-1, 5-2	8471-6434	4-8, 4-9	8471-9109	5-5, 9-2
8319-1013	5-2, 5-8	8471-6719	9-2	8471-9110	9-2
8319-1021	5-2, 5-8	8471-7304	7-4, 9-3	8471-9115	8-1
8319-1028	5-6, 13-10	8471-7306	13-10	8471-9141	5-2, 9-2
8319-1032	5-1	8471-7344	9-3	8471-9142	5-2, 9-4
8319-1038	5-1	8471-7458	9-9	8471-9169	9-4
8319-1041	5-1	8471-7519	9-9	8471-9380	9-4
8319-1057	5-1	8471-7537	13-10	8471-9429	9-2, 9-4
8319-1059	7-3	8471-7563	9-7, 13-12, 13-14	8471-9430	9-2
8320-1006	2-3	8471-7640	4-6	8471-9431	9-4
8320-1017	13-17	8471-7641	7-4	8471-9432	9-4
8320-1021	2-3	8471-7644	4-5	8471-9646	9-8
8320-1024	4-7	8471-7803	9-1	8471-9647	9-8
8320-1026	4-7, 13-17	8471-7824	9-4	8471-9650	9-6
8320-1038	13-17	8471-7832	9-1, 9-3	8471-9651	13-17
8320-1039	13-17	8471-7839	5-3, 9-2	8471-9689	9-3
8320-1057	10-21	8471-7851	5-1, 9-1	8471-9698	9-4
8320-1073	13-17	8471-7852	5-3, 9-3	8507-1128	5-5
8320-1120	9-3, 13-9	8471-7854	9-8	8510-1098	2-3
8320-1123	3-3, 13-17, 13-19, 13-20	8471-7859	9-7	8521-1088	2-1
8320-1135	5-1, 5-2, 9-3, 9-4	8471-7860	9-5	8540-1340	2-3
8320-1144	2-3	8471-7878	9-4	8594-1016	9-4, 9-8, 13-13
8320-1155	5-2, 9-3, 9-4	8471-7886	9-7	8594-1017	5-1, 11-5
8320-1158	2-1	8471-7889	5-2, 9-2	8654-1381	5-4
8320-1172	2-4	8471-7893	7-4, 13-10	8656-1308	13-17
8345-1104	4-5	8471-7896	13-17	8662-1230	13-23
8348-1285	11-3	8471-7911	9-2, 9-3	8664-1158	13-17
8348-1286	11-3	8471-7934	5-1, 9-1	8668-1572	2-3
8348-3497	5-2	8471-7983	9-3	8668-3122	2-1, 5-4, 7-3, 9-2
8348-3584	6-3	8471-8026	13-12, 13-14, 13-19, 13-20	8668-3193	13-4, 13-5, 13-6
8362-1283	3-2, 13-17	8471-8032	13-12, 13-14	8668-3480	13-4, 13-22
8362-3032	9-2, 10-16	8471-8041	13-19, 13-20	8688-1421	6-4
8363-3002	7-4	8471-8067	4-7	8688-3074	5-1
8364-1675	12-1	8471-8164	9-2	8688-3075	5-1
8365-1133	5-3, 9-2, 9-4	8471-8185	5-2, 9-4	8688-3106	5-1, 5-4
8366-1316	4-8, 4-9, 9-1	8471-8189	9-8	8688-3260	13-23
8366-1336	13-23	8471-8280	13-17, 13-19, 13-20	8688-3327	5-5
8367-1475	5-6, 13-10	8471-8281	13-17, 13-19, 13-20	8688-3469	9-1
8368-3085	13-4, 13-24	8471-8439	9-8	8698-3643	13-15
8368-3175	5-8	8471-8657	9-3	8698-4451	6-5
8368-3246	5-1	8471-8688	7-4	8698-4452	6-5
8368-3254	11-2	8471-8689	7-4	8820-1001	5-2
8368-3291	2-1	8471-8735	9-9	8820-1002	13-23
8368-3308	5-5	8471-8736	9-9	8820-1003	5-1, 7-2, 10-8, 10-19,
8395-3028	10-19	8471-8759	8-1		13-4, 13-7, 13-24

INDEX

PART NUMBER	PAGE	PART NUMBER	PAGE	PART NUMBER	PAGE
8820-1005	13-13, 13-21	8820-1564	3-2, 13-17	8850-1405	7-5
8820-1006	9-4	8820-1565	13-17	8850-1406	7-1, 7-5, 13-14, 13-19
8820-1007	9-4	8820-1566	13-17	8850-1408	10-10
8820-1008	4-7, 7-4, 9-2	8820-1568	3-1, 13-17	8850-1420	2-3
8820-1009	9-5	8820-1569	3-1	8850-1610	13-23
8820-1010	9-2	8820-1607	3-1	8850-1612	2-1, 5-2
8820-1011	13-10	8820-1608	13-17	8850-1613	2-1
8820-1012	13-12, 13-16, 13-20	8820-1616	6-1	8850-1616	5-1, 7-3, 12-1
8820-1016	2-1, 5-5	8820-4912	2-1	8852-1016	2-4, 4-8, 4-9
8820-1017	13-21	8821-1028	5-2	8852-1204	2-1
8820-1018	5-2, 5-6, 9-4, 13-23	8821-1030	13-4	8852-1205	5-2, 9-7, 13-12, 13-14
8820-1019	13-19, 13-20	8821-1044	13-16	8852-1206	5-5
8820-1020	2-1, 5-2, 5-5, 10-6, 10-16, 13-11, 13-17	8821-1068	2-3, 5-3, 13-18	8852-1208	13-17
8820-1021	4-4, 4-5, 5-5	8821-2228	7-4, 7-5	8852-1210	2-3
8820-1022	7-5, 13-12, 13-14, 13-19, 13-20	8821-2272	2-3	8852-1214	5-1
8820-1023	7-4, 8-1, 9-4, 9-7, 9-8	8821-2285	2-3	8852-1304	9-9, 13-12, 13-13, 13-16, 13-20, 13-21
8820-1027	4-5	8821-2321	2-3	8852-1306	2-3, 13-17
8820-1028	10-6, 13-11	8826-1014	2-1	8852-1310	4-1, 4-2, 4-7, 4-8, 4-9
8820-1029	10-9	8826-1017	7-5, 9-9	8852-1312	2-3
8820-1030	10-8	8826-1022	11-1	8852-1604	2-1
8820-1033	7-3	8830-1073	2-1	8855-1004	13-25
8820-1034	13-17, 13-19, 13-20	8830-1088	13-13, 13-21	8855-1007	2-1, 5-2
8820-1035	2-3, 4-4, 4-5, 7-3, 9-4, 10-19, 10-20	8830-1193	2-1, 3-3	8855-1009	5-1, 5-2, 7-2, 7-4, 9-2, 9-5, 10-8, 10-19, 13-4, 13-7, 13-23
8820-1036	4-4, 4-5, 10-16, 10-20	8830-1311	7-3	8855-1010	2-1, 5-2, 5-5, 5-6, 7-5, 9-8, 10-6, 10-8, 10-16, 13-11, 13-17, 13-19, 13-20, 13-21, 13-23
8820-1037	4-6, 10-20	8830-2125	12-1	8855-1011	2-3, 4-6, 4-8, 4-9, 5-3, 7-3, 9-4, 10-16, 10-20, 13-17, 13-19, 13-20
8820-1040	4-8, 4-9	8832-1022	13-23	8855-1012	5-1, 5-2, 9-3, 9-4
8820-1043	13-17	8832-1029	11-1	8855-1013	3-2, 4-1, 4-8, 4-9, 5-2, 5-5, 9-3, 9-5, 9-6, 9-7, 13-9, 13-17
8820-1046	13-17	8834-1022	4-1, 4-2, 4-4, 4-5, 4-6, 4-7, 4-8, 4-9	8855-1015	5-4, 10-16
8820-1050	2-1	8841-1036	9-7	8855-1154	2-3
8820-1065	3-2, 4-8, 4-9, 5-2, 9-5, 9-7, 13-17	8841-1037	13-12, 13-14	8856-1001	9-2, 10-8
8820-1066	4-1, 4-5, 9-6	8844-1001	7-5	8856-1002	4-7, 9-5
8820-1067	5-5	8850-1004	9-2, 9-5, 10-19, 13-4, 13-10, 13-23, 13-24	8856-1003	2-1, 5-5, 5-6, 10-6, 10-8, 10-16, 11-1, 13-11
8820-1073	4-4, 4-5	8850-1005	4-4, 4-5, 5-2, 7-5, 9-8, 10-6, 10-8, 13-11, 13-17, 13-19, 13-20	8856-1004	4-6, 10-16
8820-1095	5-4, 10-16	8850-1006	2-3, 4-4, 4-5, 4-6, 10-16, 10-20, 13-17	8856-1006	5-5
8820-1096	4-5	8850-1007	2-1	8856-1008	5-4, 10-16
8820-1105	4-1, 4-2, 4-7, 4-8, 4-9	8850-1008	4-4, 4-5, 10-20, 13-17, 13-19, 13-20, 13-21	8856-1009	13-24
8820-1107	3-1	8850-1010	3-1, 4-5	8856-1105	3-3, 5-2, 13-13, 13-21
8820-1112	5-3	8850-1012	13-17	8856-1107	2-1, 5-2, 7-4, 9-2, 10-19, 13-23
8820-1532	3-1, 3-2, 13-17	8850-1016	4-8, 4-9	8856-1108	4-5, 5-1, 9-4, 13-12,
8820-1533	3-1, 3-2	8850-1106	4-4, 4-5		
8820-1534	13-17	8850-1108	13-17, 13-19, 13-20, 13-21		
8820-1535	13-17	8850-1110	2-3		
8820-1536	4-8, 4-9, 13-17	8850-1304	5-1		
8820-1537	3-2, 4-8, 4-9	8850-1314	13-17		
8820-1538	13-17				
8820-1562	13-17				
8820-1563	13-17				

INDEX

PART NUMBER	PAGE	PART NUMBER	PAGE	PART NUMBER	PAGE
.....	13-14, 13-19, 13-20,	8866-2006	6-1, 9-8	8871-1284	5-2, 6-2
.....	13-23	8866-2007	9-5, 9-6	8871-1383	13-5, 13-6
8856-1109	4-8, 4-9, 5-1, 5-2, 13-17,	8866-2008	5-3, 9-1, 9-2, 9-4	8871-1385	5-2
.....	13-19, 13-20	8866-2010	5-1, 9-1	8871-2011	13-17
8856-1111	3-3, 5-2	8866-2011	5-3, 9-1	8871-2034	13-5, 13-6
8856-1113	4-5, 7-1	8866-2017	9-3	8871-2305	13-12, 13-14, 13-19,
8858-1136	4-7	8866-2018	4-7, 9-8	13-20
8858-1140	9-6	8866-2019	4-5, 9-7, 9-8	8882-1004	7-1, 7-5, 13-14, 13-19
8858-1310	13-17	8866-2020	9-4	8998-1036	13-23
8858-1320	13-17, 13-19, 13-20	8866-2025	9-1	9002-0247	2-3
8858-1325	2-3	8866-2026	9-8	9002-1552	7-1, 13-14, 13-19
8859-1019	2-3	8866-2061	9-1	9002-1705	13-22
8859-1036	13-18	8866-2062	9-8	9002-2042	9-8
8859-1104	2-3	8866-2064	5-2, 7-4, 9-2, 9-3, 9-4,	9002-3155	9-4
8859-1108	2-3	9-8, 13-10	9002-6491	12-2
8859-1202	9-3, 9-8	8866-2065	9-6, 9-7, 9-8	9002-6803	11-2
8859-1204	4-7, 5-2, 5-3, 6-1, 7-4,	8866-2067	9-1	9002-6965	4-5
.....	9-2, 9-3, 9-4, 9-8, 9-9,	8866-2084	4-7, 5-3, 9-3, 13-10	9002-7179	9-7, 13-12, 13-14, 13-17,
.....	13-10	8866-2087	13-8	13-19, 13-20
8859-1205	4-7, 6-1, 9-6, 9-7, 9-8,	8866-2090	5-1, 9-1	9002-7187	5-1, 5-2, 9-2, 9-4, 13-12,
.....	13-17, 13-18	8866-2105	4-7, 4-8, 4-9, 5-3, 7-4,	13-13, 13-14, 13-19,
8859-1206	4-5, 5-1, 9-4, 9-5, 9-6,	9-2, 9-4, 9-7, 9-8,	13-20, 13-21
.....	9-7, 9-8	13-17	9002-7214	13-4, 13-22, 13-23
8859-1207	5-2, 5-3, 9-1, 9-2, 9-3,	8866-2106	4-7, 6-1, 9-1, 9-2, 10-16	9002-7319	13-4, 13-22, 13-23
.....	9-4, 9-7, 13-8, 13-17	8866-2107	4-5	9002-7470	3-1, 3-2
8859-1209	5-1, 9-1, 9-4	8866-2108	9-2, 13-8	9002-7471	3-1, 3-2, 5-1, 13-17,
8859-1210	5-1, 5-3, 9-1, 10-16	8866-2110	13-8	13-19, 13-20
8859-1508	9-4	8866-2139	7-4	9002-7473	3-1, 5-3, 6-1, 13-17
8863-1301	13-14, 13-19	8866-2152	4-7, 7-4	9002-7684	5-1, 7-2
8863-1302	7-2	8866-2193	13-18	9002-7906	5-3, 9-3
8863-1338	7-1	8866-2222	9-4	9002-7987	7-1, 7-5, 13-14, 13-19
8863-1449	4-7	8866-2224	5-2, 6-1, 9-2, 9-4	9002-8482	9-1
8863-1509	3-3	8866-2227	5-5, 9-2	9002-8660	5-2, 5-4
8863-3001	7-2	8866-2239	5-1, 5-3, 9-1, 9-2, 9-3,	9002-8662	7-1
8866-1010	4-8, 4-9	9-4, 13-10	9002-8740	2-3
8866-1013	4-5, 4-6, 4-7, 9-2, 10-16	8866-2240	9-8	9002-8935	2-4
8866-1016	4-6	8866-2242	5-3, 9-2, 9-4, 13-8	9002-8990	4-5
8866-1065	13-12, 13-14, 13-19,	8866-2244	13-8	9002-9935	4-5
.....	13-20	8866-2306	9-4	9002-9955	13-22, 13-23, 13-24
8866-1084	10-16	8866-2421	5-2, 9-4	9003-0271	5-1, 5-5
8866-1103	9-4	8866-2425	9-4	9006-3269	4-10
8866-1180	4-6	8867-1001	2-3, 3-1, 3-3, 4-4, 4-5,	9015-3001	4-1, 4-2, 4-4, 4-5, 4-6,
8866-1345	5-5, 9-2	9-4, 10-20, 13-17	4-7, 4-8, 4-9
8866-1362	9-2	8867-1008	3-3, 4-7	9020-0003	4-1, 4-2, 4-7, 4-8, 4-9
8866-1364	9-2	8867-1022	4-7, 4-8, 4-9	9020-0284	7-5
8866-1365	9-2	8870-1021	2-3	9020-0440	6-3
8866-1384	5-2, 9-3	8870-1023	9-7	9020-0445	12-2
8866-1408	5-5, 9-2	8871-1100	9-7	9020-0602	13-9
8866-2003	9-3	8871-1210	9-7	9020-0638	7-1, 13-14, 13-19
8866-2005	5-2, 6-1, 9-2, 9-4, 9-9,	8871-1280	2-3	9020-0680	13-4
.....	13-10	8871-1283	5-4	9020-0688	12-2

INDEX

PART NUMBER	PAGE	PART NUMBER	PAGE	PART NUMBER	PAGE
9020-0755	2-1	9020-8144	10-20	9020-8208	10-21
9020-2230	7-3	9020-8145	10-20	9020-8209	10-21
9020-2548	6-6	9020-8146	10-20	9020-8210	10-21
9020-3040	13-17, 13-19, 13-20	9020-8147	10-20	9020-8211	10-21
9020-3437	10-22	9020-8148	10-20	9020-8212	10-21
9020-3438	10-22	9020-8149	10-20	9040-2478	4-2
9020-3439	10-22	9020-8150	10-20	9040-2948	4-4, 4-5
9020-3440	10-22	9020-8151	10-20	9040-3056	4-5
9020-3543	6-5	9020-8152	10-20	9040-3437	4-4, 4-5
9020-4007	4-8, 4-9	9020-8153	10-20	9045-1039	4-6
9020-4097	4-7	9020-8154	10-20	9045-1047	4-4, 4-5
9020-4244	4-5, 4-6, 4-7, 4-8, 4-9, 13-12, 13-14, 13-19, 13-20	9020-8155	10-20	9045-1053	4-4
9020-4245	4-5, 4-7, 4-8, 4-9, 13-12, 13-14, 13-19, 13-20	9020-8156	10-20	9045-1058	4-1, 4-2, 4-9
9020-5121	4-5	9020-8157	10-20	9045-3002	4-1, 4-10
9020-5792	5-1, 5-2, 9-3, 9-4	9020-8158	10-20	9045-3016	4-5
9020-5870	3-1, 3-2, 4-8, 4-9, 13-17	9020-8159	10-20	9045-3030	4-6
9020-5891	2-4	9020-8160	10-20	9045-3031	4-6
9020-5918	5-5	9020-8161	10-20	9045-3032	4-6
9020-6169	13-4, 13-6	9020-8162	10-20	9045-3034	4-7
9020-6194	13-12, 13-14, 13-17, 13-19, 13-20	9020-8163	10-20	9045-3040	4-4
9020-6195	7-4	9020-8164	10-20	9045-3041	4-4
9020-6196	2-1	9020-8165	10-20	9045-3045	4-10
9020-6199	7-4, 9-9, 13-12, 13-14, 13-17, 13-19, 13-20	9020-8166	10-20	9045-5011	4-4
9020-6548	10-8	9020-8167	10-20	9045-5012	4-5
9020-6553	10-8	9020-8168	10-20	9045-5035	4-6
9020-6846	2-3	9020-8169	10-20	9045-5037	4-6
9020-7046	4-1	9020-8170	10-20	9045-5044	4-7
9020-7204	6-3	9020-8171	10-20	9045-5049	4-3
9020-7220	13-23	9020-8172	10-20	9045-5051	4-2
9020-7352	2-4	9020-8173	10-20	9045-5052	4-2
9020-7458	2-1	9020-8174	10-20	9045-6002	4-6
9020-7463	9-7, 13-12, 13-14, 13-20	9020-8175	10-20	9045-6009	4-2
9020-7464	9-6	9020-8176	10-20	9045-6010	4-2
9020-7661	13-13, 13-21	9020-8177	10-20	9055-1013	4-7
9020-7719	13-10	9020-8178	10-20	9055-3005	4-10
9020-7856	7-4	9020-8179	10-20	9055-3008	4-10
9020-7878	4-5, 10-20	9020-8180	10-20	9055-3018	4-10
9020-7879	4-5, 10-21	9020-8181	10-20	9055-3026	12-2
9020-7880	4-5	9020-8182	10-20	9055-3027	12-1
9020-7881	4-5	9020-8183	10-20	9055-3028	12-1
9020-7882	4-5	9020-8184	10-20	9055-4001	2-1
9020-7884	4-4, 4-5	9020-8185	10-20	9055-5020	4-3
9020-7902	3-3	9020-8186	10-20	9060-0273	7-3
9020-8142	10-20	9020-8187	10-20	9060-0390	4-1, 4-10
9020-8143	10-20	9020-8188	10-20	9060-0832	4-10
		9020-8189	10-20	9060-0833	4-10
		9020-8190	10-20	9060-1015	4-10
		9020-8203	10-21	9060-1219	4-10
		9020-8204	10-21	9060-1819	4-10
		9020-8206	10-21	9060-1873	4-10
		9020-8207	10-21	9060-1874	4-10

INDEX

PART NUMBER	PAGE	PART NUMBER	PAGE	PART NUMBER	PAGE
9060-2706	4-5, 10-22	9104-1732	2-3	9108-1433	9-5
9060-2904	4-4, 4-5	9104-3125	4-5, 4-7, 4-8, 4-9, 13-12, 13-14, 13-19, 13-20	9108-1437	9-6
9060-2905	4-4, 4-5	9104-3126	4-5, 4-6, 4-7, 4-8, 4-9, 13-12, 13-14, 13-19, 13-20	9108-1438	9-6
9080-1353	4-4, 4-5	9104-3134	12-2	9108-1445	10-10
9100-3016	12-2	9104-3135	12-2	9108-1447	3-2, 13-17
9100-3018	12-2	9104-3136	12-2	9108-1457	3-2
9100-3020	12-2	9104-3146	6-7	9108-1475	2-1
9100-3031	12-2	9104-3147	13-14, 13-19, 13-20	9108-1499	13-4
9103-1009	2-3	9104-3174	13-12	9108-1541	5-5
9103-1014	2-4	9104-3186	4-7	9108-1577	4-8, 4-9
9103-1236	3-1, 3-2, 4-8, 4-9, 13-17	9104-3214	7-5	9108-1594	4-8, 4-9
9103-1268	2-1	9104-3221	4-7	9108-1622	4-8, 4-9
9103-1271	4-6	9104-3222	2-3	9108-1640	11-5
9103-1521	13-4, 13-7	9104-3237	2-1	9108-1654	5-5
9103-3029	2-1	9104-3246	2-3	9108-1691	2-3
9103-3038	3-3, 4-7	9104-3298	6-7	9108-3019	5-3
9103-3039	4-7	9104-3429	13-4, 13-7	9108-3050	9-5
9103-3089	12-1	9104-3446	10-11	9108-3063	3-1, 13-17
9103-3104	6-7	9104-4274	10-3	9108-3069	10-16
9103-3137	5-5	9104-6061	4-7	9108-3070	10-16
9103-3138	7-4, 9-4, 9-8	9104-6062	4-7	9108-3085	5-5
9103-3185	13-17	9105-3020	5-3, 9-3, 9-4	9108-3094	5-5
9103-3186	3-1, 3-2, 4-8, 4-9, 13-17	9105-3419	13-22	9108-3106	5-1, 5-2, 9-3, 9-4
9103-3187	13-17	9105-3426	9-1, 9-2, 9-3, 9-7, 13-17	9108-3124	5-6
9103-3189	3-1	9105-3450	9-7, 13-17	9108-3126	5-6
9103-3240	10-8	9105-4002	9-3, 9-4	9108-3128	5-6, 13-10
9103-3317	11-3	9106-3039	9-4	9108-3136	7-1, 7-5, 13-14, 13-19
9103-3320	2-1	9106-3040	9-4	9108-3145	9-1
9103-3380	13-22, 13-23	9106-4016	10-3	9108-3155	13-5, 13-6
9103-3425	13-23	9106-4017	10-3	9108-3173	2-1
9103-3445	13-17	9108-1087	13-17	9108-3191	9-4
9103-3485	2-1	9108-1148	3-1	9108-3194	9-4
9103-4028	6-6	9108-1158	5-1	9108-3200	10-16
9103-4139	10-4	9108-1171	3-1	9108-3216	9-7, 13-13, 13-21
9103-4153	10-1, 10-4	9108-1172	3-1, 13-17	9108-3217	9-6
9103-4267	10-2	9108-1176	2-4	9108-3218	5-1, 5-2
9103-4276	10-1, 10-3	9108-1177	2-3	9108-3222	5-3, 9-3, 9-4
9103-4339	10-4	9108-1181	5-5	9108-3224	9-5
9103-4374	4-6	9108-1313	4-8, 4-9, 9-5, 9-7	9108-3225	9-5
9103-4375	4-6	9108-1326	13-17, 13-19, 13-20	9108-3232	9-1
9104-1322	4-7	9108-1332	7-5	9108-3240	9-3, 9-5
9104-1323	4-7	9108-1354	7-1	9108-3246	5-3, 9-1
9104-1324	4-7	9108-1368	4-1	9108-3248	4-8, 4-9
9104-1325	4-7	9108-1369	4-1	9108-3249	4-7
9104-1326	4-7	9108-1388	5-1	9108-3250	5-8
9104-1327	4-7	9108-1397	3-1	9108-3262	4-8, 4-9
9104-1356	4-7	9108-1415	2-3	9108-3266	5-2, 9-4
9104-1361	4-7	9108-1432	4-8, 4-9, 9-5, 9-7	9108-3289	2-1
9104-1362	4-7			9108-3290	9-7, 13-12, 13-14
9104-1365	3-3			9108-3293	9-1
9104-1451	13-17			9108-3296	10-13

INDEX

PART NUMBER	PAGE	PART NUMBER	PAGE	PART NUMBER	PAGE
9108-3297	3-2, 13-17	9108-4012	10-6, 13-11	9108-4369	10-2
9108-3298	3-1, 13-17	9108-4022	10-16	9108-4370	10-3
9108-3301	10-16	9108-4032	10-14	9108-4371	10-3
9108-3304	10-1, 10-4	9108-4038	11-2	9108-4372	10-3
9108-3306	5-1, 7-4, 9-4	9108-4042	10-10	9108-4373	10-3
9108-3307	3-2	9108-4043	10-10	9108-4375	10-13
9108-3310	7-4	9108-4046	6-2	9108-4376	10-13
9108-3312	7-5	9108-4047	6-2	9108-4377	10-14
9108-3314	12-1	9108-4135	10-13	9108-4378	10-14
9108-3317	12-1	9108-4136	10-13	9108-4379	10-14
9108-3338	5-1	9108-4137	10-13	9108-4380	10-14
9108-3339	9-3	9108-4138	10-13	9108-4381	10-14
9108-3364	5-5	9108-4139	10-13	9108-4382	10-14
9108-3385	6-7, 13-15	9108-4140	10-13	9108-4383	10-14
9108-3425	13-10	9108-4141	10-13	9108-4384	10-14
9108-3426	13-10	9108-4142	10-13	9108-4385	10-14
9108-3431	13-17	9108-4143	10-13	9108-4386	10-9
9108-3432	13-17	9108-4144	10-13	9108-4387	10-9
9108-3440	11-2	9108-4145	10-13	9108-4388	10-9
9108-3449	2-3	9108-4155	10-9	9108-5033	4-1
9108-3456	5-2	9108-4156	10-9	9108-5058	4-9
9108-3459	10-18	9108-4157	10-9	9108-5071	13-10
9108-3468	10-2	9108-4158	10-9	9108-5091	3-3
9108-3470	10-4	9108-4159	10-9	9108-5115	13-9
9108-3471	4-8, 4-9	9108-4160	10-9	9108-5125	13-13
9108-3473	10-1, 10-3	9108-4161	10-9	9108-5128	13-21
9108-3480	2-4	9108-4198	5-5	9108-5139	5-5
9108-3481	5-2, 11-5	9108-4199	10-6, 13-11	9108-6055	5-8
9108-3482	5-2, 11-5	9108-4201	10-6, 13-11	9108-6081	7-1, 13-14, 13-19
9108-3490	13-10	9108-4203	10-6	9108-6085	9-6
9108-3491	5-4	9108-4214	10-7	9108-6101	3-1
9108-3492	12-1	9108-4215	10-7	9108-6102	3-2
9108-3493	5-1	9108-4218	10-13	9108-6116	4-1
9108-3503	5-2	9108-4277	10-6, 13-11	9108-6121	4-9
9108-3504	5-2	9108-4278	10-6, 13-11	9108-6122	4-8, 4-9
9108-3511	4-4, 4-5	9108-4279	10-6, 13-11	9108-6131	5-2
9108-3513	10-3, 13-17	9108-4284	10-18	9108-6138	13-18
9108-3518	10-16	9108-4297	10-18	9108-6139	13-18
9108-3519	10-16	9108-4301	10-18	9108-6140	13-17
9108-3521	10-9	9108-4302	10-18	9108-6141	13-17
9108-3533	2-1, 5-5	9108-4305	10-5	9108-6142	13-17
9108-3536	5-3, 9-1	9108-4306	10-2	9108-6151	3-3
9108-3547	13-14, 13-19	9108-4311	5-3	9108-6152	3-3
9108-3550	13-13, 13-21	9108-4312	5-3	9108-6174	5-5
9108-3560	5-8	9108-4324	10-14	9108-6175	2-1
9108-3561	12-2	9108-4330	10-14	9109-1001	5-2
9108-3562	12-2	9108-4347	10-2	9109-3018	13-15
9108-3573	5-5	9108-4348	10-2	9109-3031	11-1
9108-4001	5-1	9108-4351	10-2	9109-3037	11-4
9108-4008	10-6, 13-11	9108-4352	10-2	9109-4022	10-15
9108-4009	10-6, 13-11	9108-4368	10-2	9109-4033	10-15

INDEX

PART NUMBER	PAGE	PART NUMBER	PAGE	PART NUMBER	PAGE
9112-1022	13-17	9112-3085	13-18	9112-6071	13-17
9112-1023	13-17	9112-3086	13-18	9112-6080	13-19, 13-20
9112-1024	13-17	9112-3089	13-18	9114-1218	2-1
9112-1041	13-17	9112-3092	2-3	9114-1259	13-22
9112-1045	13-17	9112-3119	6-2	9114-1329	2-1
9112-1056	13-17	9112-3124	2-1, 5-4	9114-1350	4-7
9112-1066	13-17	9112-3126	7-3	9114-1364	13-23
9112-1079	13-17	9112-3127	6-1	9114-1429	11-5
9112-1080	13-17	9112-3130	6-1	9114-1436	2-1
9112-1081	3-2, 13-17	9112-3132	4-10	9114-1459	13-4, 13-6
9112-1082	13-17	9112-3136	13-17	9114-1480	11-1
9112-1083	13-17	9112-3137	13-18	9114-1511	6-2
9112-1122	13-17	9112-3149	9-2	9114-1512	13-23
9112-1124	4-1	9112-3150	10-16	9114-3055	5-1, 9-3, 9-4
9112-1125	13-17, 13-19, 13-20	9112-3154	13-13, 13-21	9114-3105	13-13, 13-21
9112-1134	13-17, 13-19, 13-20, 13-21	9112-3155	13-13, 13-21	9114-3108	11-3, 13-22
9112-1145	13-23	9112-3168	5-5	9114-3117	13-23
9112-1146	13-23	9112-3172	2-1	9114-3120	12-1
9112-1151	13-22	9112-3177	13-22	9114-3122	5-2
9112-1176	13-18	9112-3181	11-4	9114-3127	11-4
9112-1178	13-18	9112-3182	13-5, 13-6	9114-3128	11-4
9112-1179	13-18	9112-4071	10-1	9114-3133	10-16
9112-1180	13-18	9112-4073	10-1	9114-3144	10-16
9112-1196	13-17	9112-4074	10-1	9114-3162	12-1
9112-1197	13-17	9112-4076	10-3	9114-3172	6-1, 10-16
9112-1216	13-22	9112-4078	10-3	9114-3182	12-1
9112-1264	10-8	9112-4079	10-4	9114-3187	9-9, 13-10
9112-1283	13-13, 13-21	9112-4081	10-4	9114-3201	10-10
9112-1307	13-18	9112-4082	10-4	9114-3202	12-1
9112-1308	3-3	9112-4087	10-5	9114-3218	10-16
9112-1309	3-3	9112-4088	10-5	9114-3269	5-5
9112-1310	3-3	9112-4089	10-5	9114-3280	12-1
9112-3016	13-17, 13-19, 13-20	9112-4090	10-5	9114-3281	12-1
9112-3018	13-17	9112-4094	6-4	9114-3282	4-7, 12-1, 12-2
9112-3019	13-17	9112-4096	10-1, 10-2, 10-3, 10-4, 10-5	9114-3283	12-1
9112-3021	13-17	9112-4107	2-1	9114-3284	12-1
9112-3022	13-17	9112-4108	10-5	9114-3285	12-1
9112-3037	12-2	9112-5002	6-7	9114-3286	12-1
9112-3038	12-2	9112-5003	6-7	9114-3288	12-1
9112-3042	12-2	9112-5030	13-17	9114-3290	12-2
9112-3043	12-2	9112-5031	13-17	9114-3292	12-1
9112-3054	13-17, 13-19, 13-20, 13-21	9112-5056	13-8	9114-3314	5-2
9112-3055	13-21	9112-5069	10-16	9114-3315	5-1
9112-3061	13-12, 13-14, 13-19, 13-20	9112-5106	13-4, 13-7	9114-3316	5-4
9112-3062	13-12, 13-16, 13-20	9112-6008	13-17, 13-19, 13-20	9114-3331	11-4, 13-5
9112-3075	13-10	9112-6009	13-17	9114-3333	11-4, 13-5, 13-24
9112-3081	13-18	9112-6010	13-17	9114-3335	13-5, 13-24
9112-3082	13-18	9112-6029	13-21	9114-3342	7-2
		9112-6031	13-21	9114-3357	2-1
		9112-6032	13-21	9114-3361	11-4, 13-5, 13-6
				9114-3372	10-12

INDEX

PART NUMBER	PAGE	PART NUMBER	PAGE	PART NUMBER	PAGE
9114-4015	10-18	9114-4370	6-4	9114-4465	10-12
9114-4042	10-5	9114-4371	6-4	9114-4466	10-12
9114-4098	10-14	9114-4372	6-4	9114-4467	10-12
9114-4128	10-1, 10-3, 10-4, 10-5	9114-4373	6-4	9114-5128	13-5
9114-4158	10-11	9114-4374	6-4	9114-6052	3-2, 13-17
9114-4190	7-3	9114-4376	6-4	9114-6053	4-7
9114-4191	7-3	9114-4377	6-4	9114-6054	4-7
9114-4192	7-3	9114-4378	6-4	9114-6058	5-2
9114-4197	7-2	9114-4379	6-4	9114-6081	2-1
9114-4326	6-2	9114-4380	6-4	9114-6099	13-4, 13-24
9114-4327	6-2, 6-4	9114-4381	6-4	9114-6101	5-1
9114-4328	6-2	9114-4382	6-3	9114-6102	7-5
9114-4329	6-2	9114-4383	6-3	9114-6108	7-5
9114-4332	6-2	9114-4384	6-3	9115-3031	5-4
9114-4333	6-5	9114-4385	6-3	9115-5016	5-4
9114-4334	6-5	9114-4386	6-3	9116-1210	10-16
9114-4335	6-5	9114-4387	6-3	9116-3012	7-3
9114-4336	6-5	9114-4388	6-3	9116-3028	12-1
9114-4337	6-5	9114-4389	6-3	9116-3044	10-15
9114-4338	6-5	9114-4390	6-3	9116-3087	12-1
9114-4339	6-5	9114-4391	6-3	9116-3093	7-5
9114-4340	6-5	9114-4392	6-3	9116-3098	5-2, 9-4
9114-4341	6-5	9114-4393	6-3	9116-3109	7-4
9114-4342	6-5	9114-4394	6-3	9116-3121	13-8
9114-4343	6-5	9114-4395	6-3	9116-3129	5-6
9114-4344	6-5	9114-4396	6-3	9116-3130	12-1
9114-4345	6-5	9114-4397	6-3	9116-3184	12-1
9114-4346	6-5	9114-4398	6-3	9116-3191	13-8
9114-4347	6-5	9114-4399	6-3	9116-3201	5-2, 9-3, 9-4
9114-4348	6-5	9114-4400	6-3	9116-3260	5-1
9114-4349	6-5	9114-4401	6-3	9116-3268	5-8
9114-4350	6-5	9114-4402	6-3	9116-4023	10-2
9114-4351	6-5	9114-4403	6-3	9116-4086	2-2
9114-4352	6-5	9114-4404	6-3	9116-4087	2-2
9114-4353	6-5	9114-4405	6-3	9116-4094	2-2, 12-1
9114-4354	6-5	9114-4406	6-3	9116-4096	13-2
9114-4355	6-5	9114-4407	6-3	9116-4102	13-3
9114-4356	6-5	9114-4408	6-3	9116-4109	10-15
9114-4357	6-5	9114-4431	7-2	9116-4110	10-15
9114-4358	6-5	9114-4432	7-2	9116-4111	10-15
9114-4359	6-5	9114-4433	7-2	9116-6062	3-3
9114-4360	6-5	9114-4439	2-1	9120-4460	10-5
9114-4361	6-5	9114-4442	6-4	9121-3002	8-1, 9-8
9114-4362	6-5	9114-4448	7-3	9130-1019	9-7
9114-4363	6-5	9114-4458	7-3	9130-1020	7-1
9114-4364	6-5	9114-4459	10-12	9130-1065	13-10
9114-4365	6-5	9114-4460	10-12	9130-1083	4-8
9114-4366	6-5	9114-4461	10-12	9130-1086	5-5
9114-4367	6-5	9114-4462	10-12	9130-3006	9-6
9114-4368	6-5	9114-4463	10-12	9130-3007	9-7
9114-4369	6-4	9114-4464	10-12	9130-3008	9-7

INDEX

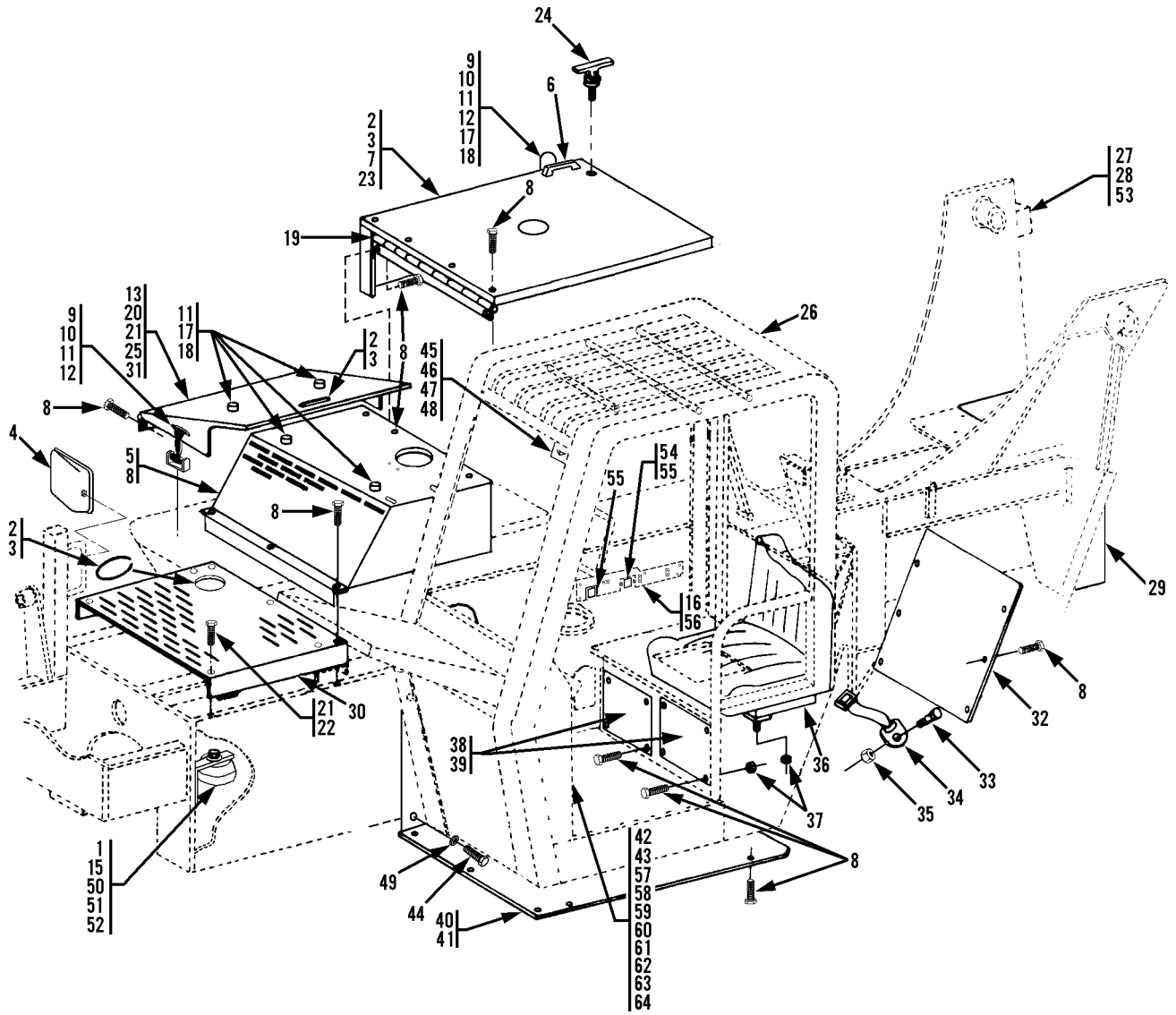
PART NUMBER	PAGE	PART NUMBER	PAGE	PART NUMBER	PAGE
9130-3009	9-6	9133-4035	13-1	9136-3008	13-23
9130-3019	13-12, 13-16, 13-20	9133-4038	11-2	9136-3009	13-23
9130-3021	2-1	9133-5020	10-19	9136-3021	11-2, 11-3
9130-3037	10-17	9133-5033	5-1	9136-3025	7-3
9130-3038	13-10	9133-6003	5-2	9136-3026	10-19
9130-3041	13-10	9133-6004	5-1	9136-3027	10-19
9130-3047	12-1	9134-1012	13-22	9136-3028	10-19
9130-3049	9-4	9134-1013	13-22	9136-3029	5-1
9130-3056	5-1	9134-3031	13-22	9136-3030	10-19
9130-4001	10-17	9134-3040	13-6	9136-3031	5-1
9130-4021	10-17	9134-3052	2-3	9136-3034	11-4
9130-4022	10-17	9134-3074	11-4	9136-3035	11-3
9130-4023	10-17	9134-4006	13-3	9136-3036	7-1
9130-4025	10-17	9134-4009	13-1	9136-3040	13-16
9130-4026	10-17	9134-4011	13-2	9136-3043	13-12, 13-16, 13-20
9130-5016	4-8	9134-4013	13-2	9136-3045	13-12, 13-20
9130-6030	4-8	9134-4014	13-2	9136-3054	11-3
9132-3022	5-1, 9-1	9134-4015	13-2	9136-3065	2-1
9132-3023	5-1, 9-1	9134-4016	13-2	9136-3066	5-2
9132-3030	12-1	9134-4017	13-2	9136-3070	12-1
9133-1002	5-1	9134-4018	13-2	9136-3073	13-23
9133-1014	5-2	9134-4019	13-2	9136-3087	13-23
9133-1018	10-19	9134-4020	13-2	9136-3128	12-1
9133-1020	5-1	9134-4021	13-2	9136-3140	12-1
9133-3002	5-1	9134-4022	13-2	9136-4004	11-4
9133-3003	5-1	9134-4023	13-2	9136-4005	11-4
9133-3004	5-2, 9-3	9134-4024	13-2	9136-4006	11-4
9133-3013	11-2	9134-4025	13-2	9136-4007	11-4
9133-3023	10-16	9134-4026	13-2	9136-4008	11-4
9133-3029	13-18	9134-4027	13-2	9136-4009	11-2, 11-3
9133-3031	5-1, 5-2, 5-3	9134-4028	13-2	9136-4010	11-3
9133-3036	12-2	9134-4029	13-2	9136-4011	11-3
9133-3043	7-3	9134-4030	13-2	9136-4012	11-3
9133-4003	2-2	9134-4031	2-2, 13-2, 13-3	9136-4013	11-3
9133-4004	2-2	9134-4032	13-2	9136-4014	11-3
9133-4005	2-2	9134-4033	13-2	9136-5013	11-3
9133-4008	13-1	9134-4043	13-2	9136-5014	5-1
9133-4009	13-1	9134-4045	13-2	9136-5017	13-6
9133-4010	13-1	9134-4046	13-2	9136-5045	13-23
9133-4011	13-1	9134-4047	13-2	9136-6007	13-12, 13-16, 13-20
9133-4012	13-2	9134-5008	5-2	9137-3009	5-2
9133-4014	13-1	9134-5010	13-12, 13-16, 13-20	9137-3011	13-24
9133-4015	13-1	9134-5013	13-22	9137-5005	13-24
9133-4017	13-1	9136-1001	13-23	9138-1009	10-6, 13-11
9133-4018	13-1, 13-2	9136-1002	13-23	9138-3039	13-14, 13-17, 13-19, 13-20
9133-4024	13-1	9136-1003	13-23		
9133-4028	13-1	9136-1004	13-23	9138-3051	13-15
9133-4030	13-1	9136-1005	2-1	9138-3054	9-4
9133-4031	13-1	9136-1008	11-1	9138-3055	9-4
9133-4032	13-1	9136-1018	13-5, 13-24	9138-3056	9-4
9133-4033	13-1, 13-2	9136-3002	9-9	9138-3057	9-4

INDEX

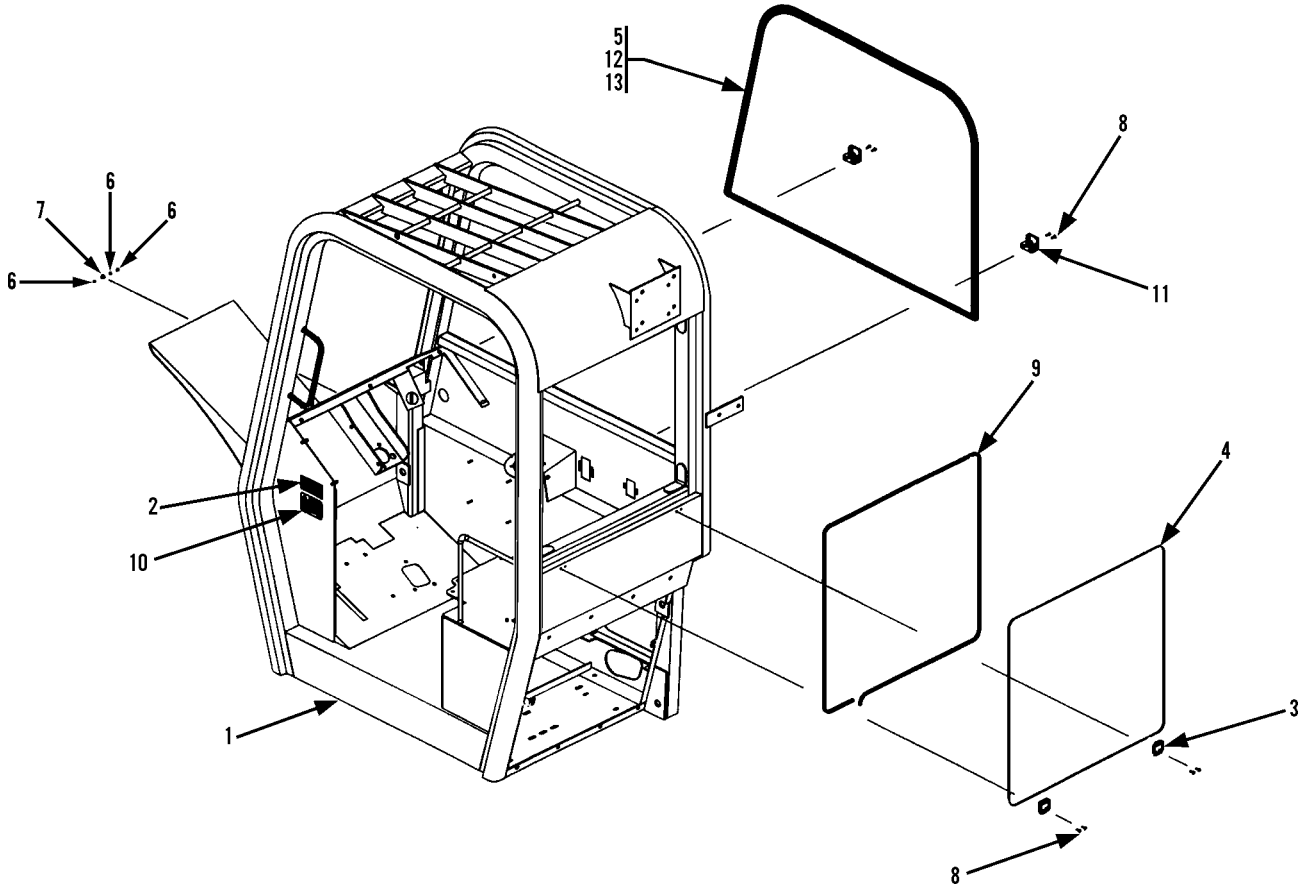
PART NUMBER	PAGE	PART NUMBER	PAGE	PART NUMBER	PAGE
9138-3059	9-4	9140-4027	10-14	9141-4010	6-6
9138-3060	9-4	9140-4029	10-14	9141-4011	6-6
9138-3061	9-4	9140-4030	10-14	9141-4012	6-6
9138-3065	5-7	9140-4031	10-14	9141-4013	6-6
9138-3075	10-5	9140-4033	10-14	9141-4014	6-6
9138-3076	10-7	9140-4034	10-14	9141-4015	6-6
9138-4010	5-7	9140-4035	10-14	9141-4016	6-6
9138-4011	2-1	9140-4038	10-14	9141-4017	6-6
9138-5004	13-23	9140-4040	10-15	9141-4018	6-6
9138-5008	13-14, 13-19	9140-4041	10-15	9141-4019	6-6
9138-5009	7-1	9140-4042	10-15	9141-4020	6-6
9138-5016	13-17, 13-18	9140-4043	10-15	9141-4021	6-6
9138-5020	5-1, 5-2, 5-3	9140-4044	10-15	9141-4022	6-6
9138-5022	9-4	9140-4046	10-15	9141-4023	6-6
9138-5024	13-15	9140-4047	10-15	9141-4024	6-6
9138-6002	2-1	9140-4048	10-15	9141-4025	6-6
9138-6006	13-14, 13-19	9140-4049	10-15	9141-4026	6-6
9138-6007	7-1	9140-4050	10-15	9141-4027	6-6
9138-6009	2-3	9140-4051	10-15	9148-0001	2-3
9138-6010	2-3	9140-4053	10-15	9148-0002	2-3
9139-3003	9-3	9140-4054	10-15	9148-1005	5-6
9139-3007	13-15	9140-4055	10-15	9148-1006	9-2
9139-5006	13-15	9140-4056	10-15	9148-3001	2-2
9139-5007	5-1, 5-2, 5-3	9140-4057	10-15	9148-3004	13-11
9140-1081	2-3	9140-4058	10-18	9148-3011	5-8
9140-3031	2-3	9140-4059	10-18	9148-3012	10-6
9140-3033	2-3	9140-4060	10-18	9148-3013	12-2
9140-3034	2-3	9140-4061	10-18	9148-3014	12-2
9140-3065	2-3	9140-4062	10-18	9148-3015	5-6
9140-3066	2-3	9140-4063	10-18	9148-3020	6-6
9140-3067	2-3	9140-4064	10-18	9148-3021	9-8
9140-3078	2-3	9140-4065	10-18	9148-3022	9-8
9140-3082	2-3	9140-4066	10-18	9148-3023	9-4
9140-3102	5-1, 5-7	9140-4067	10-18	9148-3024	2-3
9140-3103	5-1, 5-7	9140-4177	13-11	9148-3025	10-1
9140-3145	2-3	9140-4178	10-6, 13-11	9148-3026	12-1
9140-3146	2-3	9140-4179	10-6, 13-11	9148-3027	12-1
9140-3162	2-3	9140-4180	10-6, 13-11	9148-3028	12-1
9140-3163	2-3	9140-4181	10-6, 13-11	9148-3029	12-1
9140-3164	2-3	9140-4183	10-6, 13-11	9148-3030	12-1
9140-3165	2-3	9140-4184	10-6, 13-11	9148-3031	12-1
9140-3166	2-3	9140-4185	10-6, 13-11	9148-3032	12-1
9140-3230	2-1	9140-4190	10-6, 13-11	9148-3033	12-1
9140-3372	2-3	9140-4214	10-6, 13-11	9148-3034	12-1
9140-3512	5-6	9140-6099	2-3, 9-4	9148-3035	12-1
9140-3541	10-14	9141-4004	6-6	9148-3036	13-1, 13-2, 13-3, 13-4, 13-5
9140-3574	2-1	9141-4005	6-6	9148-3037	12-1
9140-4021	10-14	9141-4006	6-6	9148-3038	12-1
9140-4024	10-14	9141-4007	6-6	9148-3039	12-1
9140-4025	10-14	9141-4008	6-6	9148-3040	12-1
9140-4026	10-14	9141-4009	6-6		

INDEX

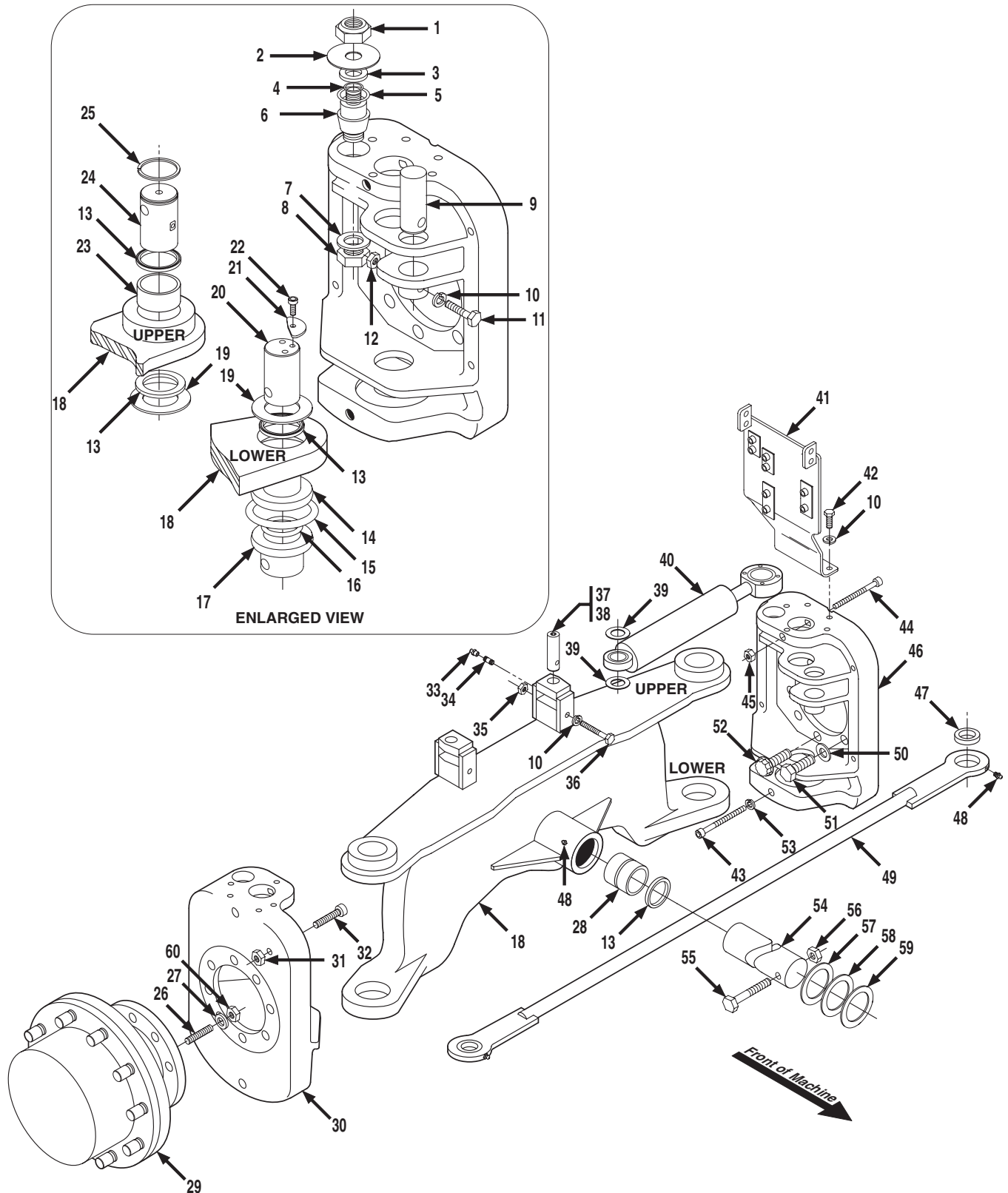
PART NUMBER	PAGE	PART NUMBER	PAGE	PART NUMBER	PAGE
9148-3041	5-8	9148-5018	6-1		
9148-3042	12-1	9148-5020	13-17		
9148-3043	12-1	9148-6001	2-1		
9148-3044	12-1	9148-6006	2-1		
9148-3045	12-1	9148-6007	2-1		
9148-3046	12-1	9148-6008	2-1		
9148-3047	12-1	9148-6011	2-3, 9-4		
9148-4001	2-2				
9148-4002	2-2, 12-1				
9148-4003	2-2, 13-3				
9148-4004	2-2, 13-3				
9148-4005	2-2, 13-1				
9148-4006	6-6				
9148-4007	6-6				
9148-4008	6-6				
9148-4009	6-6				
9148-4010	6-6				
9148-4011	10-1				
9148-4012	10-1				
9148-4013	2-1				
9148-4014	2-1				
9148-4015	2-1				
9148-4016	13-11				
9148-4017	13-11				
9148-4018	13-2				
9148-4019	13-1				
9148-4020	13-1				
9148-4021	13-1				
9148-4022	13-2				
9148-4023	13-2				
9148-4024	13-2				
9148-4025	13-3				
9148-4026	13-2				
9148-4027	13-3				
9148-4028	13-2				
9148-4029	13-2				
9148-4030	13-2				
9148-4031	13-2				
9148-4032	13-3				
9148-4033	13-3				
9148-4034	13-2				
9148-4035	13-2				
9148-4036	13-2				
9148-5003	13-4, 13-5				
9148-5007	12-1, 12-2				
9148-5008	13-12				
9148-5009	13-20				
9148-5011	13-10				
9148-5012	13-16				
9148-5013	13-14				
9148-5014	13-19				



Item	Part No.	Qty.	Description Of Part	Item	Part No.	Qty.	Description Of Part
1	9148-6001 8820-1016	Ref 1	FRAME WELDMENT HEX HD CAPSCREW, 5/16-18X1/2, GR5	35	8850-1007	2	HEX NUT, 7/16-14
2	9020-6196	64"	TRIM-LOK, (pre-packaged in 25' lengths)	36	9103-3485	1	SEAT W/ARMREST, (std)
3		A/R	ADHESIVE		9112-4107	1	SLIDE ADJ KIT, (used with std seat)
4	8368-3291	1	MIRROR		9104-3237	1	GRAMMER SEAT, (opt)
5	9148-6006	1	RADIATOR COVER		8820-1020	4	HEX HD CAPSCREW, 5/16-18X1, GR5, (use with opt seat)
6	9112-3172	1	GRAB HANDLE	37	7714-3006	8	WHIZ LOCK NUT, 5/16-18
7	9020-0755	24"	WEATHERSTRIP, (pre-packaged in 35' rolls)	38	9108-1475	1	HEATER COVER PLATE
8	7714-3003	45	WHIZ LOCK SCREW, 5/16-18X5/8	39	9114-1329	1	VALVE ACCESS COVER
9	9020-7458	3	DRAW LATCH	40	9136-1005	1	BELLY PAN
10	8830-1193	12	ROUND HEAD MACHINE SCREW, #10-32X1/2	41	9108-3533	10	FENDER WASHER, 1-1/2, O.D.
11	8855-1007	17	LOCKWASHER, #10	42	9140-3230	1	MANUAL CASE
12	8850-1613	6	HEX NUT, #10-32	43	7714-3013	4	WHIZ LOCK NUT, 1/4-20
13	9108-6175	1	TANK COVER	44	8320-1158	4	HEX HD CAPSCREW, 7/8-9X1-3/4, (torque to 450-475 ft lbs)
14	9136-3065	1	HOSE GUARD, (located under dash panel, beneath steering column, not shown)	45	9103-3320	1	TILT GAGE
15	8855-1010	1	LOCKWASHER, 5/16	46	8820-4912	1	HEX HD CAPSCREW, 1/4-20X1, GR5
16	7714-3006	7	WHIZ LOCKNUT, 5/16-18, (use 2 with item 14, not shown)	47	8856-1107	1	FLAT WASHER, 1/4
17	9108-3173	5	RUBBER HD SCREW BUMPER	48	8852-1204	1	HEX LOCKNUT, 1/4-20
18	8850-1612	5	HEX NUT, #10-24	49	7738-3118	4	HARDENED WASHER, 7/8
19	9114-1218	1	HINGE	50	9114-3357	1	HORN, (includes items 51 & 52)
20	8852-1604	2	HEX LOCKNUT, #8-32	51	9114-4439	1	HORN BRACKET
21	8856-1003	9	FLAT WASHER, 5/16	52		1	NUT
22	9112-3124	4	WHIZ LOCK SCREW, 5/16-18X1/2	53	8668-3122	1	TIE STRAP
*23	9148-1016	1	ENGINE COVER	54	9114-6081	1	DIP-STICK COVER
24	9130-3021	1	T-HANDLE	55	8826-1014	4	SOCKET BUTTON HD CAPSCREW, 1/4-20X1/2
25	8830-1073	2	RD HD MACHINE SCREW, #8-32X3/4	56	9138-6002	1	SHEET METAL SUPPORT
26		Ref	OPEN CAB ASSEMBLY, (see page 2-2 for details)	57	9138-4011	1	GRADALL MATERIAL HANDLER SAFETY MANUAL
27	9140-3574	1	BACK-UP ALARM	58	9103-1268	1	EMI ROUGH TERRAIN FORKLIFT SAFETY MANUAL
28	8820-1016	2	HEX HD CAPSCREW, 5/16-18X1/2, GR5	59	9148-4014	1	OPERATOR'S MANUAL
29	9108-3289	1	COUNTERWEIGHT PLATE	60	2460-4172	1	GRADALL/EMI OPERATOR ORIENTATION VIDEO
30	9148-6007	1	DECK COVER	61	9148-4013	1	PARTS MANUAL
31	8521-1088	2	RUBBER BUMPER	62	7733-1004	1	ENGINE MANUAL
32	9114-1436	1	REAR CAB COVER	63	9055-4001	1	PLATFORM MANUAL
33	8820-1050	2	HEX HD CAPSCREW, 7/16-14X1, GR5	64	9148-4015	1	SERVICE MANUAL
34	9103-3029	1	SEAT BELT, (not used with optional seat)				NOTE: ONLY ITEMS WITH PART NUMBERS ARE AVAILABLE FOR SERVICE.



Item	Part No.	Qty.	Description Of Part
	9148-3001	Ref	OPEN CAB, (includes all items)
1	9148-4001	1	CAB WELDMENT
2	9148-4002	1	SERIAL TAG
3	9133-4003	2	WINDOW CLIP, FLAT
4	9148-4003	1	REAR WINDOW
5	9148-4004	1	RH SIDE WINDOW
6	9116-4086	3	HOLE PLUG, .313
7	9116-4087	1	HOLE PLUG, .750
8	9133-4004	8	SCREW, #10-32X1
9	9134-4031	9.5'	SEAL
10	9116-4094	1	ROPS WARNING
11	9133-4005	2	WINDOW CLIP
12	9148-4005	AR	POWER BOND
13	8036-4009	AR	HI VISCOSITY URETHANE

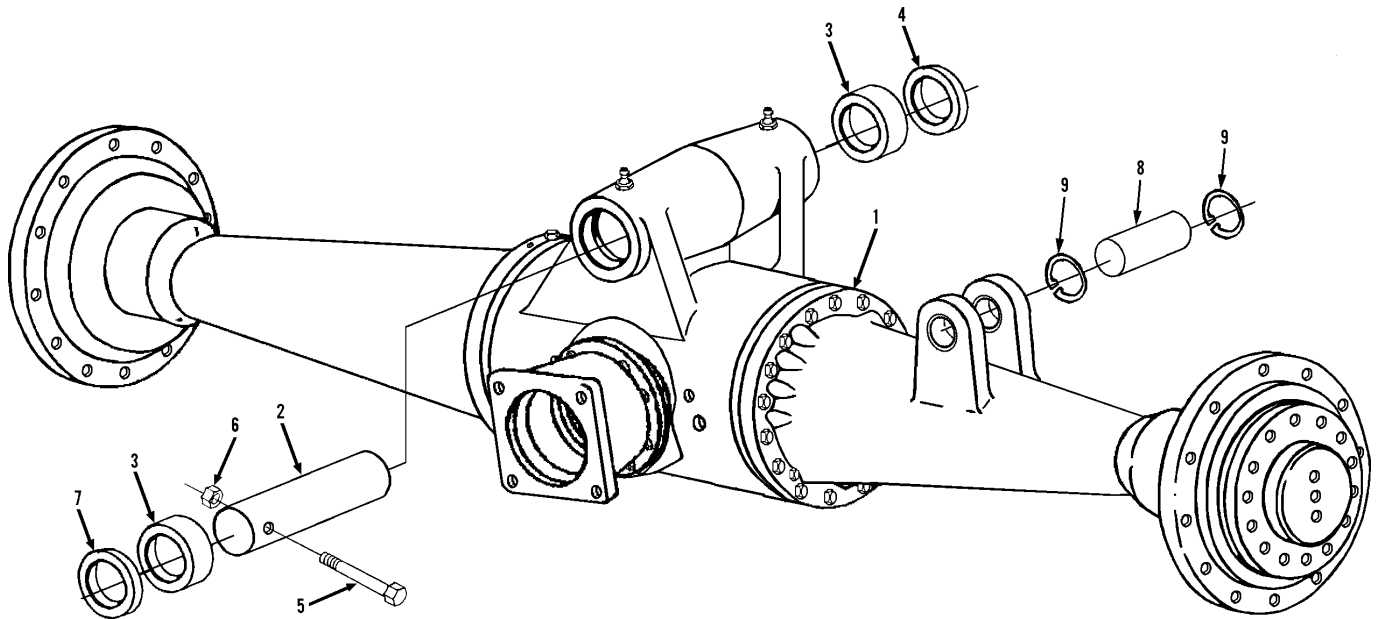


NOTE #1: Cylinder base end must be free to rotate. Shim Steering Cylinder base end as required to maintain a total maximum gap of 1/16".

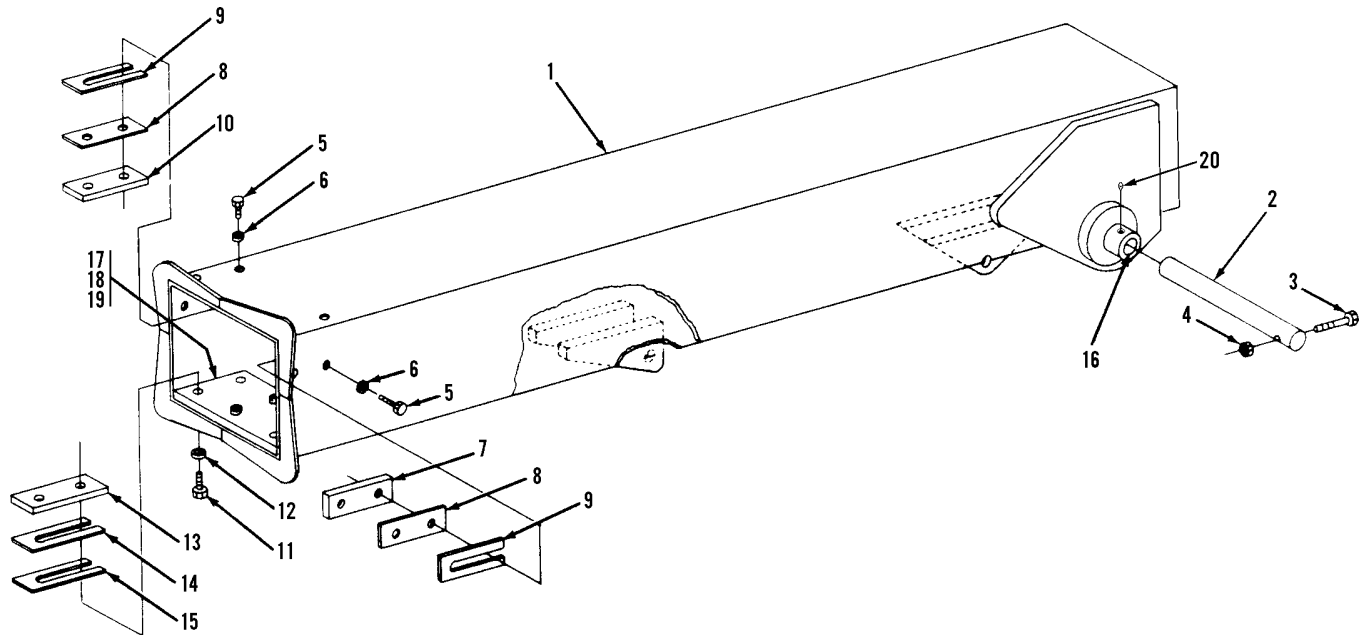
NOTE #2: Shim bottom Knuckles as required to maintain no more than 1/32" movement. Shim top Knuckles to maintain no more than 1/16" gap. Must have a minimum of one shim.

NOTE #3: Install 5/8 long thread on Stud into Drive Hub (shortest length threads on Stud)

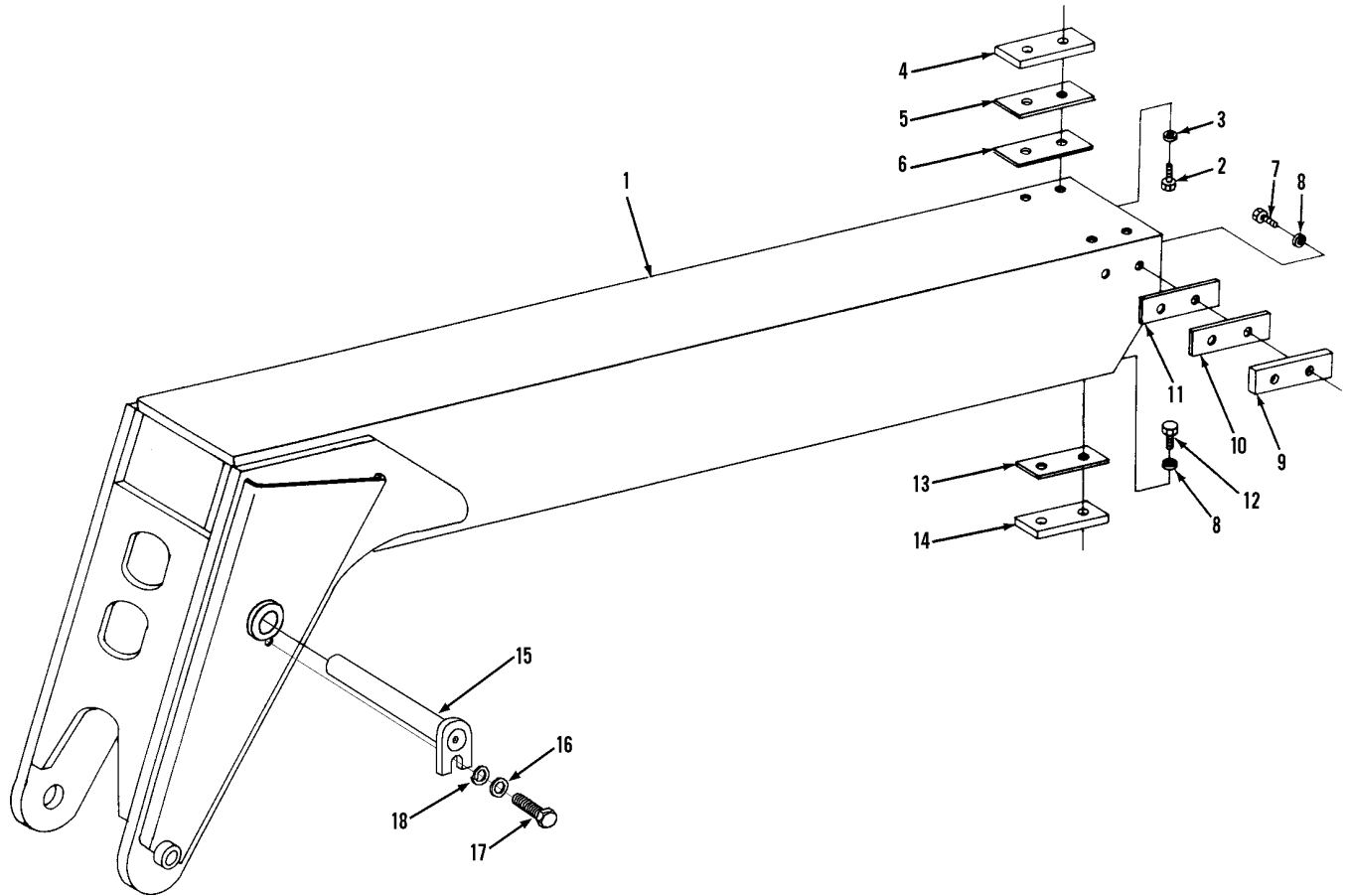
Item	Part No.	Qty.	Description Of Part	Item	Part No.	Qty.	Description Of Part
	9141-5040	AR	STEERING CYLINDER PIN KIT, (includes one each of items 1 thru 8, one kit needed for each side)	30	9148-0002	1	R.H. KNUCKLE
1	8852-1312	2	LOCKNUT, 3/4-10, (torque to 160-175 ft-lbs)	31	8850-1110	2	HEX NUT, 5/8-11
2	9108-1415	2	DIRT SHIELD	32	8821-2321	2	SOCKET HD CAPSCREW, 5/8-11X3-3/4, GR8
3	9104-1732	2	SPACER	33	9002-8740	2	GREASE FITTING, FEMALE
4	8859-1019	2	O-RING	34	8870-1021	2	NIPPLE, 1/8X2
5	8859-1104	2	O-RING	35	8850-1006	2	HEX NUT, 3/8-16
6	9134-3052	2	ROD END STEER CYLINDER PIN	36	8320-1144	2	HEX HD CAPSCREW, 3/8-16X5-3/4
7	9140-3162	2	HARDENED WASHER	37	9140-3372	2	BASE END STEER CYLINDER PIN
8	8850-1420	2	HEX JAM NUT, 1-1/4-12, (torque to 280-305 ft-lbs)	38	8871-1280	2	HEX SOCKET PIPE PLUG, 1/8
9	9140-3082	2	TIE ROD PIN	39	9140-3065	AR	KINGPIN SHIM, (see note # 1)
10	8855-1011	8	LOCKWASHER, 3/8	AR	9140-3066	AR	KINGPIN SHIM, (see note # 1)
11	8320-1021	2	HEX HD CAPSCREW, 3/8-16X3	40		Ref	STEERING CYLINDER, (see page 10-5 for details)
12	8852-1306	2	HEX LOCKNUT, 3/8-16	41	9148-6011	1	L.H. TUBE SUPPORT
13	9140-3145	8	WIPER SEAL		9140-6099	1	R.H. TUBE SUPPORT
14	9140-3034	2	LOWER BUSHING	42	8820-1035	4	HEX HD CAPSCREW, 3/8-16X1, GR5
15	9140-3146	2	O-RING	43	8821-2285	2	SOCKET HD CAPSCREW, 3/4-10X5, GR8
16	8859-1108	2	O-RING	44	8821-2272	2	SOCKET HD CAPSCREW, 5/8-11X8, GR8
17	9140-1081	2	THRUST BUSHING	45	8852-1210	2	HEX LOCKNUT, 5/8
18	9138-6009	1	REAR AXLE WELDMENT, (includes items 14, 23 & 28)	46	9148-0001	1	L.H. KNUCKLE
19	9140-3163	AR	KINGPIN SHIM, (see note # 2)	47	9104-3246	2	SELF-ALIGNING BUSHING, (tie rod)
	9140-3164	AR	KINGPIN SHIM, (see note # 2)	48	8867-1001	4	LUBE FITTING, STRAIGHT, 1/8
	9140-3165	AR	KINGPIN SHIM, (see note # 2)	49	9138-6010	1	TIE ROD WELDMENT, (includes item 47)
	9140-3166	AR	KINGPIN SHIM, (see note # 2)	50	8668-1572	12	HARDENED WASHER, 3/4
20	9140-3078	2	LOWER KINGPIN	51	8320-1006	12	HEX HD CAPSCREW, 3/4-10X2
21	9140-3067	2	RETAINING WASHER	52	9104-3222	4	12 POINT SCREW, 3/4-10X2
22	8821-1068	2	SOCKET HD CAPSCREW, 3/8-16X5/8, GR8	53	8855-1154	2	LOCKWASHER, 3/4, (hi-collar)
23	9140-3031	2	UPPER BUSHING	54	9108-1177	1	REAR AXLE PIN
24	9148-3024	2	UPPER KINGPIN	55	9002-0247	1	HEX HD CAPSCREW, 1-1/4-7X6, GR5
25	8858-1325	2	SNAP RING	56	8510-1098	1	LOCKNUT, 1-1/4-7
26	9112-3092	4	STUD, (see note #3)	57	9108-1691	1	SHIM, (.1046 thick)
27	8540-1340	4	HARD WASHER	58	9103-1009	1	SHIM, (.0598 thick)
28	9140-3033	2	PIVOT TUBE BUSHING	59	9020-6846	1	SHIM, (.1345 thick)
29		Ref	DRIVE HUB, (524D), (see page 6-6 for details)	60	9108-3449	4	HEX NUT, 1/2-13
		Ref	NON-DRIVE HUB, (522D), (see page 6-6 for details)				



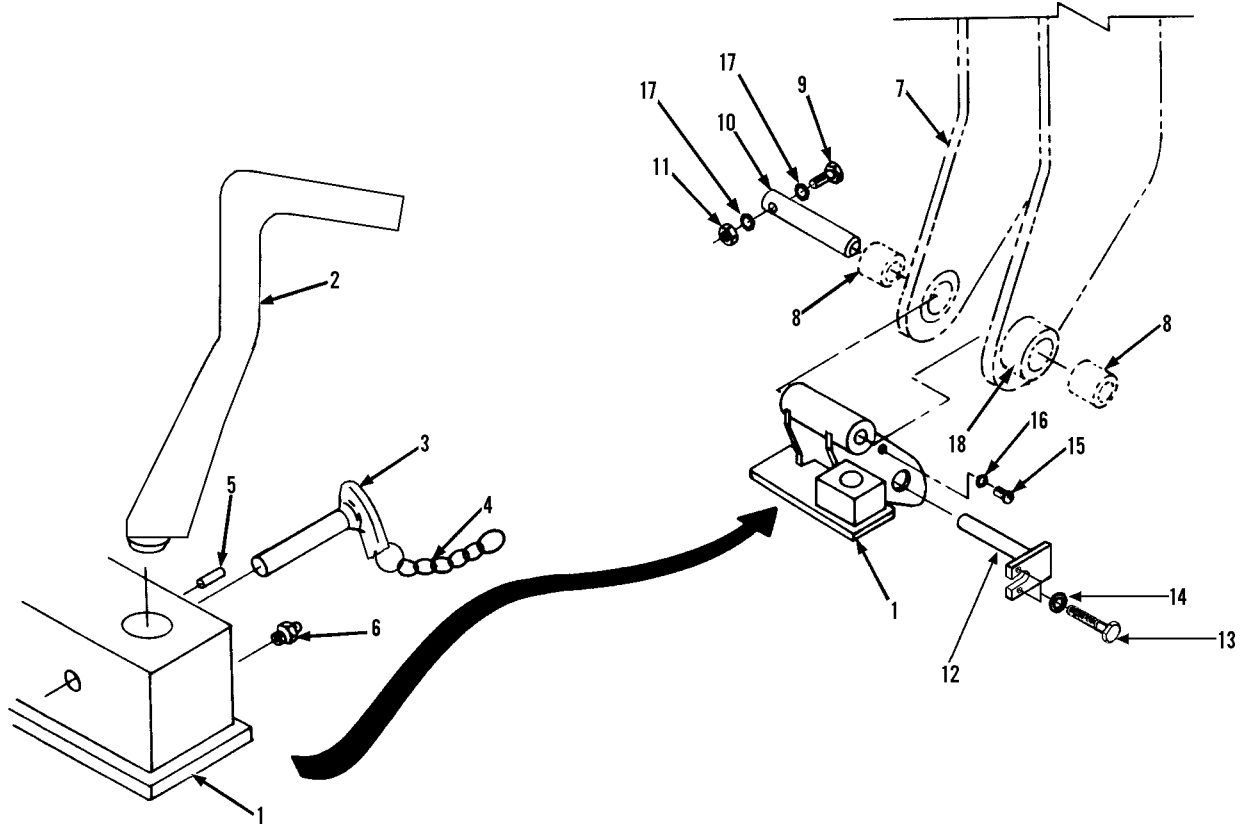
Item	Part No.	Qty.	Description Of Part
1		Ref	FRONT AXLE, (see page 6-2 for details)
2	9108-1176	1	FRONT SWAY PIN
3	9020-5891	2	SPACER
4	9103-1014	1	SHIM WASHER
5	8320-1172	1	HEX HD CAPSCREW, 1-8X5, GR8
6	8852-1016	1	HEX LOCKNUT, 1-8
7	9108-3480	1	SHIM WASHER
* 8	9140-3225	1	PIN
9	9002-8935	2	RETAINING RING



Item	Part No.	Qty.	Description Of Part
1	9108-6101	1	FIRST BOOM SECTION
2	9108-1148	1	BOOMBASE PIN
3	8820-1107	1	HEX HD CAPSCREW, 5/8-11X5
4	8852-1010	1	HEX LOCKNUT, 5/8-11
5	8820-1532	8	HEX HD CAPSCREW, 3/8-24X3/4, GR5, (torque to 32-37 ft lbs)
	8820-1533	AR	HEX HD CAPSCREW, 3/8-24X7/8, GR5, (torque to 32-37 ft lbs)
6	9002-7470	8	HARDENED FLATWASHER, 3/8
7	9103-3186	2	BEARING PAD
8	9103-1236	4	SPACER
9	9020-5870	4	SHIM
10	9103-3189	2	BEARING PAD
11	8820-1568	4	HEX HD CAPSCREW, 1/2-20X2, GR5, (torque to 68-78 ft lbs)
	8820-1569	AR	HEX HD CAPSCREW, 1/2-20X2-1/4, GR5, (torque to 68-78 ft lbs)
12	9002-7471	4	HARDENED FLATWASHER, 1/2
13	9108-3063	2	BEARING PAD
14	9108-1172	2	SPACER
15	9108-1171	2	SHIM
16	9108-3298	2	BUSHING
17	9108-1397	1	BEARING PLATE
18	8820-1607	2	HEX HD CAPSCREW, 3/4-16X1-1/4, GR5
19	9002-7473	2	WASHER
20	8867-1001	2	LUBE FITTING, STRAIGHT, 1/8

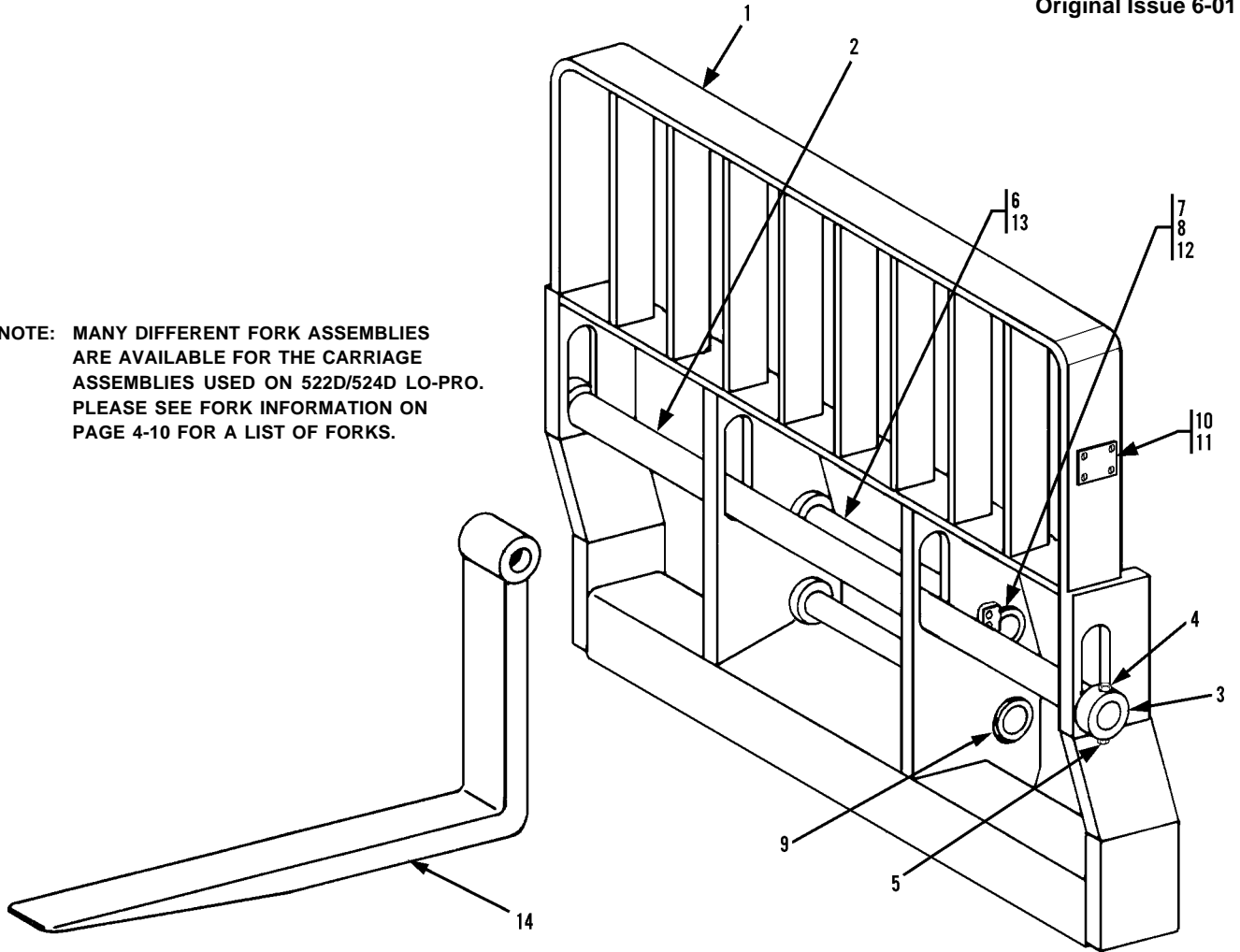


Item	Part No.	Qty.	Description Of Part
1	9108-6102	1	SECOND BOOM SECTION
2	8820-1564	4	HEX HD CAPSCREW, 1/2-20X1, GR5, (torque to 68-78 ft lbs)
3	9002-7471	4	HARDENED WASHER
4	9108-3297	2	BEARING PAD
5	9108-1447	2	SPACER
6	9112-1081	AR	SHIM
7	8820-1532	4	HEX HD CAPSCREW, 3/8-24X3/4, GR5, (torque to 32-37 ft lbs)
	8820-1533	AR	HEX HD CAPSCREW, 3/8-24X7/8, GR5, (torque to 32-37 ft lbs)
8	9002-7470	8	HARDENED FLAT WASHER
9	9103-3186	2	BEARING PAD
10	9103-1236	2	SPACER
11	9020-5870	2	SHIM
12	8820-1537	4	HEX HD CAPSCREW, 3/8-24X1-3/4, GR5, (torque to 32-37 ft lbs)
13	9108-1457	2	SPACER
14	9108-3307	2	BEARING PAD
15	9114-6052	1	PIN WELDMENT
16	8855-1013	1	LOCKWASHER, 1/2
17	8820-1065	1	HEX HD CAPSCREW, 1/2-13X1
18	8362-1283	1	SPECIAL WASHER

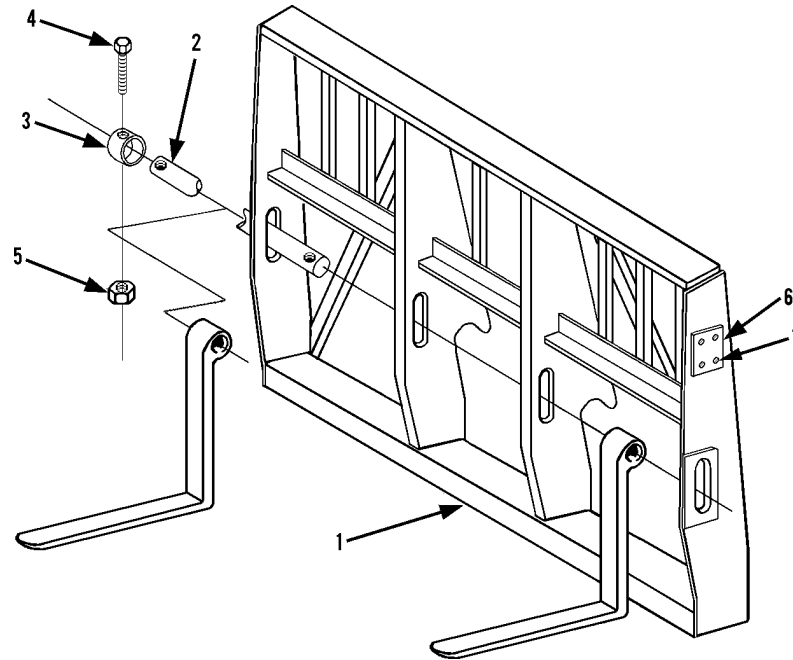


Item	Part No.	Qty.	Description Of Part
	9108-5091	1	QUICK SWITCH ASSEMBLY, (includes items 1 thru 6, 15 and 16)
1	9108-6152	1	QUICK SWITCH WELDMENT
2	9108-6151	1	PLUNGER WELDMENT
3	9020-7902	1	QUICK RELEASE PIN
4	9103-3038	1	JACK CHAIN, 5" LONG, SIZE 12
5	8863-1509	1	ROLL PIN, 1/4X2
6	8867-1008	1	LUBE FITTING, STRAIGHT, 1/4-28
7		Ref	SECOND BOOM SECTION, (see page 3-2)
8	9136-3085	2	BUSHING
9	9112-1308	1	HEX HD CAPSCREW, 5/8-11X5, GR5
10	9104-1365	1	HEAD PIN
11	9112-1309	1	HEX LOCKNUT, 5/8-11, (torque to 185-200 ft lbs)
12	9116-6062	1	TILT CYLINDER PIN
13	8320-1123	2	HEX HD CAPSCREW, 1/2-13X1, GR8
14	8856-1111	2	WASHER, 1/2
15	8830-1193	1	ROUND HD MACHINE SCREW, #10-32X1/2
16	8856-1105	1	FLAT WASHER, #10
17	9112-1310	2	WASHER, 5/8
18	8867-1001	2	LUBE FITTING, STRAIGHT, 1/8

NOTE: MANY DIFFERENT FORK ASSEMBLIES ARE AVAILABLE FOR THE CARRIAGE ASSEMBLIES USED ON 522D/524D LO-PRO. PLEASE SEE FORK INFORMATION ON PAGE 4-10 FOR A LIST OF FORKS.

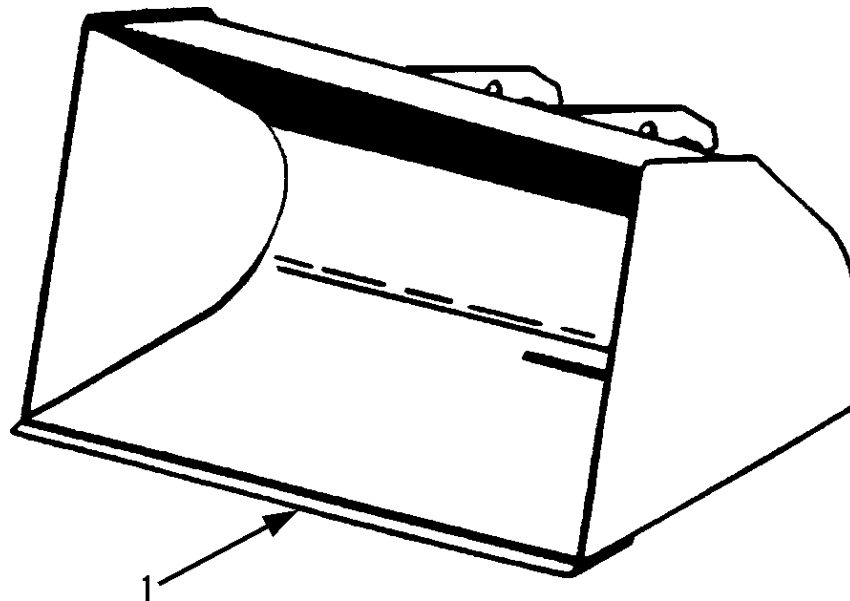


Item	Part No.	Qty.	Description Of Part Item
	9108-5033	Ref	48" TILT CARRIAGE ASSY, (includes items 1 thru 14)
1	9108-6116	1	CARRIAGE WELDMENT
2	9045-1058	1	FORK PIN
3	9020-0003	2	COLLAR
4	8820-1105	2	HEX HD CAPSCREW, 5/8-11X4, GR5
5	8852-1310	2	HEX LOCKNUT, 5/8-11
6	9108-1369	1	HEAD PIN
7	9108-1368	1	RETAINER BAR
8	8820-1066	2	HEX HD CAPSCREW, 1/2-13X1-1/4, GR5
9	9020-7046	1	TILT PIN
10	9015-3001	1	SERIAL NUMBER PLATE
11	8834-1022	4	DRIVE SCREW, #10X3/8
12	8855-1013	2	LOCKWASHER, 1/2
13	9112-1124	1	SLEEVE
14	9045-3002	2	FORK, (see note)
	9060-0390	2	CUBING FORK

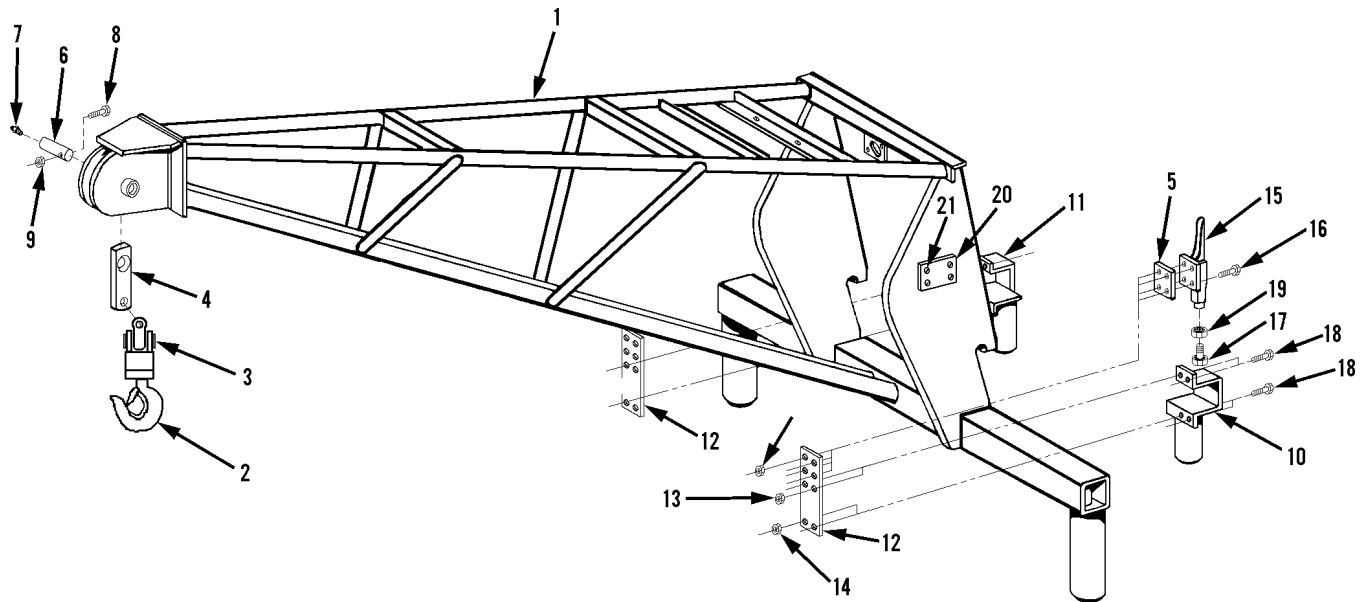


NOTE: MANY DIFFERENT FORK ASSEMBLIES ARE AVAILABLE FOR THE CARRIAGE ASSEMBLIES USED ON 522D/524D LO-PRO. PLEASE SEE FORK INFORMATION ON PAGE 4-10 FOR A LIST OF FORKS.

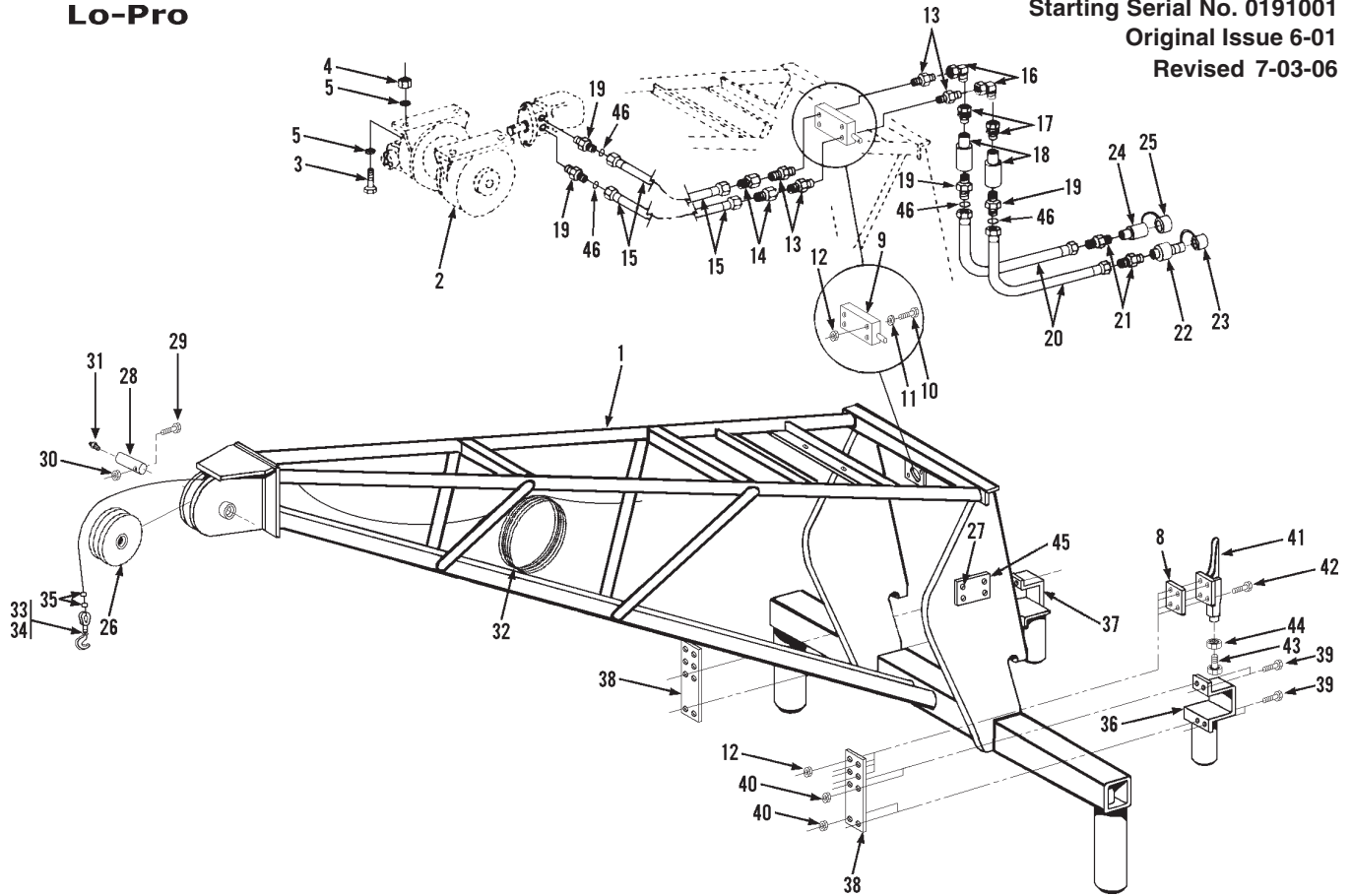
Item	Part No.	Qty.	Description Of Part	Item	Part No.	Qty.	Description Of Part
	9045-5051	1	48" CARRIAGE ASSEMBLY, (includes items 1 thru 7)		9045-5052	1	66" CARRIAGE ASSEMBLY, (includes items 1 thru 7)
1	9045-6009	1	CARRIAGE WELDMENT	1	9045-6010	1	CARRIAGE WELDMENT
2	9045-1058	1	FORK PIN	2	9040-2478	1	FORK PIN
3	9020-0003	2	COLLAR	3	9020-0003	2	COLLAR
4	8820-1105	2	HEX HD CAPSCREW, 5/8-11X4, GR5	4	8820-1105	2	HEX HD CAPSCREW, 5/8-11X4, GR5
5	8852-1310	2	HEX LOCKNUT, 5/8-11	5	8852-1310	2	HEX LOCKNUT, 5/8-11
6	9015-3001	1	SERIAL NUMBER PLATE	6	9015-3001	1	SERIAL NUMBER PLATE
7	8834-1022	4	DRIVE SCREW, #10X3/8	7	8834-1022	4	DRIVE SCREW, #10X3/8



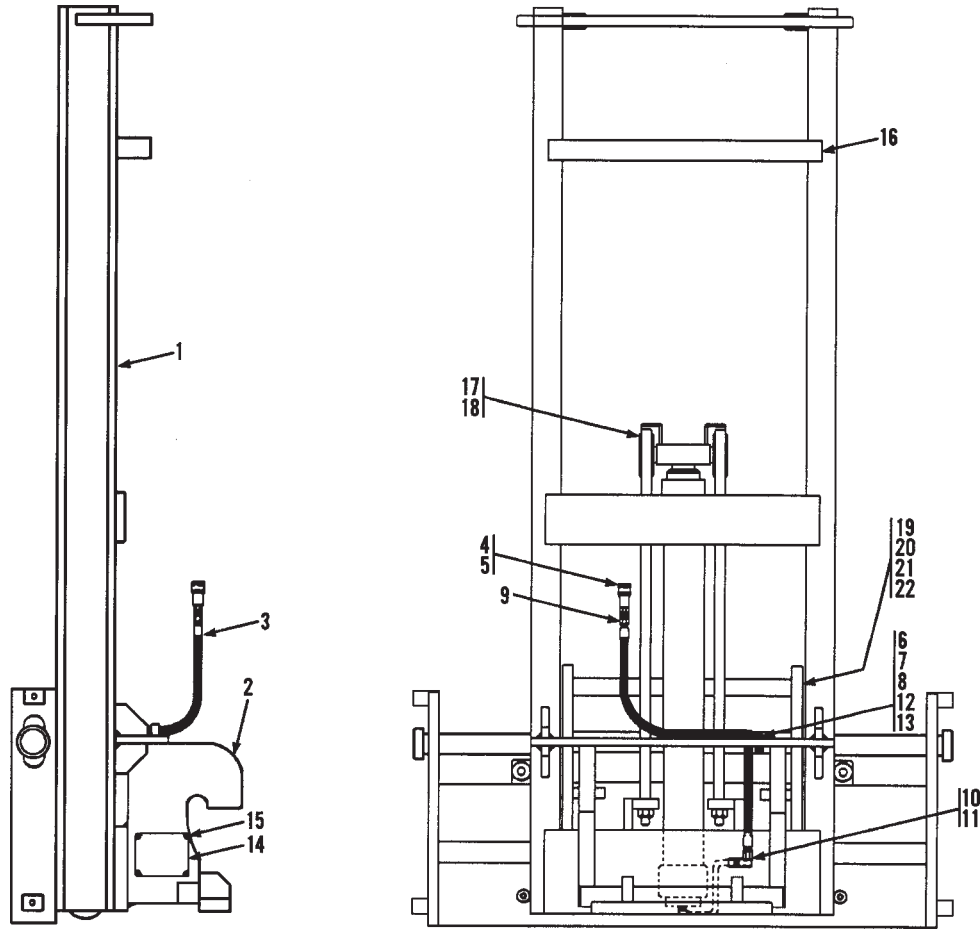
Item	Part No.	Qty.	Description Of Part	Item	Part No.	Qty.	Description Of Part
1	9045-5049	1	60" BUCKET, (3/4 yard capacity)	1	9055-5020	1	74" BUCKET, (1-1/4 yard capacity)



Item	Part No.	Qty.	Description Of Part	Item	Part No.	Qty.	Description Of Part
	9045-5011	1	10' TRUSS BOOM ASSY, (includes all items)	12	9040-3437	2	SLIDER BAR
1	9080-1353	1	10' TRUSS BOOM WELDMENT	13	8820-1036	8	HEX HD CAPSCREW, 3/8-16X1-1/4, GR5
2	9045-3040	1	SWIVEL HOOK	14	8850-1006	8	HEX NUT, 3/8-16
3	9045-3041	1	SHACKLE	15	9020-7884	2	LOCKING CLAMP
4	9045-1053	1	HANGER	16	8820-1021	8	HEX HD CAPSCREW, 5/16-18X1-1/4, GR5
5	9045-1047	2	SPACER	17	8850-1005	8	HEX NUT, 5/16-18
6	9040-2948	1	PIN	18	8820-1035	2	HEX HD CAPSCREW, 3/8-16X1, GR5
7	8867-1001	1	LUBE FITTING, STRAIGHT, 1/8	19	8850-1106	2	HEAVY HEX JAM NUT, 3/8-16
8	8820-1073	1	HEX HD CAPSCREW, 1/2-13X3, GR5	20	9015-3001	1	ATTACHMENT S/N PLATE
9	8850-1008	1	HEX NUT, 1/2-13	21	8834-1022	4	ROUND HD DRIVE SCREW, #10X3/8
10	9060-2905	1	SLIDER BRACKET	22	9108-3511	1	CAPACITY DECAL, (not shown)
11	9060-2904	1	SLIDER BRACKET				

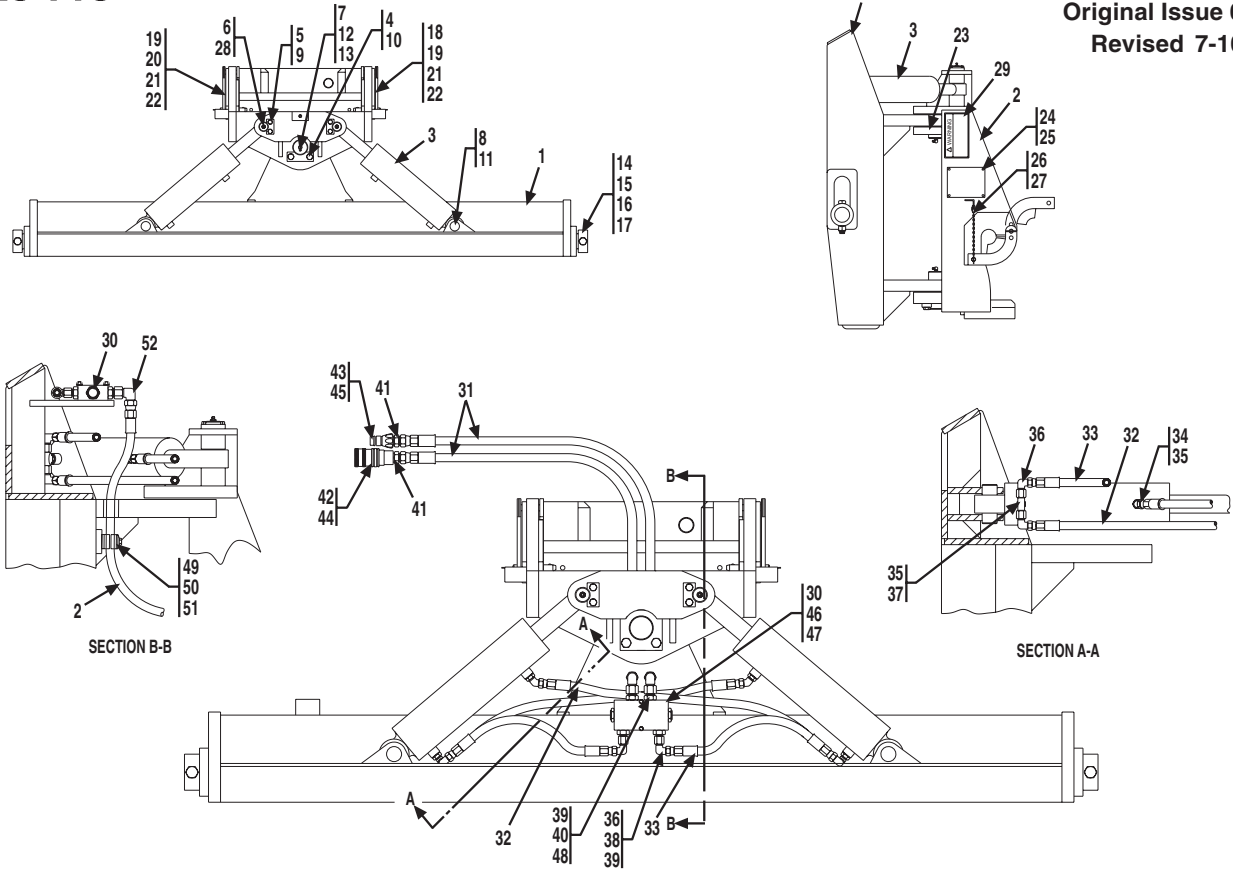


Item	Part No.	Qty.	Description Of Part	Item	Part No.	Qty.	Description Of Part
	9045-5012	1	TRUSS BOOM ASSY W/ WINCH, (includes all items)	22	9140-3414	1	MALE TIP COUPLER, (S/N 2005283-01 & After)
1	9080-1353	1	TRUSS BOOM WELDMENT	23	9104-3126	1	DUST CAP
2		Ref	WINCH W/MOTOR, (see page 10-20 & 10-21 for details)	24	9116-3139	1	FEMALE COUPLER, (Before S/N 2005283-01)
3	8820-1096	4	HEX HD CAPSCREW, 5/8-11X1-3/4, GR5		9140-3413	1	FEMALE COUPLER, (S/N 2005283-01 & After)
4	8850-1010	4	HEX NUT, 5/8-11	25	9104-3125	1	DUST CAP
5	8856-1113	8	FLAT WASHER, 5/8	26	9040-3056	1	SHEAVE
6			Not Used	27	8834-1022	4	DRIVE SCREW, #10X3/8
7			Not Used	28	9040-2948	1	PIN
8	9045-1047	2	SPACER	29	8820-1073	1	HEX HD CAPSCREW, 1/2-13X3, GR5
9		Ref	CROSSOVER VALVE, (see page 10-22 for details)	30	8850-1008	1	HEX NUT, 1/2-13
10	8820-1027	2	HEX HD CAPSCREW, 5/16-18X2-3/4, GR5	31	8867-1001	1	LUBE FITTING, STRAIGHT, 1/8
11	8856-1108	2	FLAT WASHER, 5/16	32	9020-7882	1	WIRE ROPE, 3/8
12	8850-1005	10	HEX NUT, 5/16-18	33	9140-3448	1	SWIVEL HOOK
13	8345-1104	4	ADAPTER	34	9002-6965	1	THIMBLE
14	9002-9935	2	TUBE REDUCER, 7/8X3/4	35	9002-8990	2	WIRE ROPE CLIP
15	9020-5121	2	HOSE ASSEMBLY	36	9060-2905	1	SLIDER BRACKET
16	8866-2107	2	ELBOW, 90 DEGREE, (swivel nut)	37	9060-2904	1	SLIDER BRACKET
17	9045-3016	2	ADAPTER	38	9040-3437	2	SLIDER BAR
18	9020-7880	2	FLOW LIMITER	39	8820-1036	8	HEX HD CAPSCREW, 3/8-16X1-1/4, GR5
19	8866-2019	4	CONNECTOR, (includes item 46)	40	8850-1006	8	HEX NUT, 3/8-16
20	8471-7644	2	HOSE ASSY	41	9020-7884	2	LOCKING CLAMP
21	8866-1013	2	MALE CONNECTOR, 1/2X1/2, (Before S/N 2005283-01)	42	8820-1021	8	HEX HD CAPSCREW, 5/16-18X1-1/4, GR5
	8866-2006	2	CONNECTOR, (includes 8859-1205 o-ring), (S/N 2005283-01 & After)	43	8820-1035	2	HEX HD CAPSCREW, 3/8-16X1, GR5
22	9116-3138	1	MALE TIP COUPLER, (Before S/N 2005283-01)	44	8850-1106	2	HEAVY HEX JAM NUT, 3/8-16
				45	9015-3001	1	ATTACHMENT SERIAL NO. PLATE
				46	8859-1206	4	O-RING

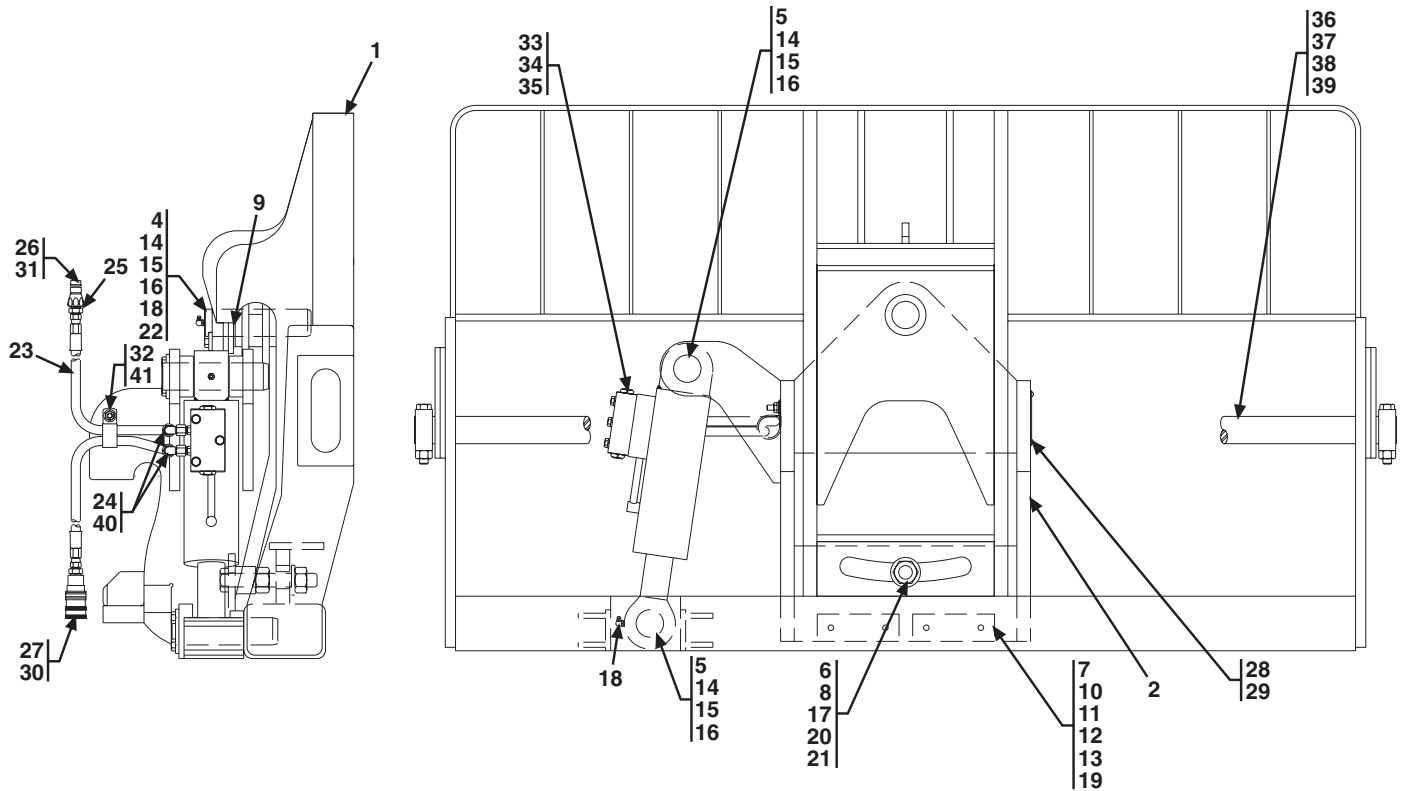


Item	Part No.	Qty.	Description Of Part
	9045-5035	1	6 FT. MAST ASSY, (48" carriage), (includes all items)
	9045-5037	1	6 FT. MAST ASSY, (66" carriage), (includes all items)
1	9045-3031	1	CARRIAGE WELDMENT - 48"
	9045-3032	1	CARRIAGE WELDMENT - 66"
2	9045-6002	1	ADAPTER WELDMENT
3	8471-7640	1	HOSE ASSY
4	9116-3138	1	MALE HYDRAULIC COUPLING, (Before S/N 2005283-01)
	9140-3414	1	MALE HYDRAULIC COUPLING, (S/N 2005283-01 & After)
5	9104-3126	1	DUST CAP
6	2443-1386	2	CLAMP
7	8820-1037	2	HEX HD CAPSCREW, 3/8-16X1-1/2, GR5
8	8856-1004	2	FLAT WASHER, 3/8
9	8866-1013	1	MALE CONNECTOR, 1/2X1/2 TUBE, (Before S/N 2005283-01)

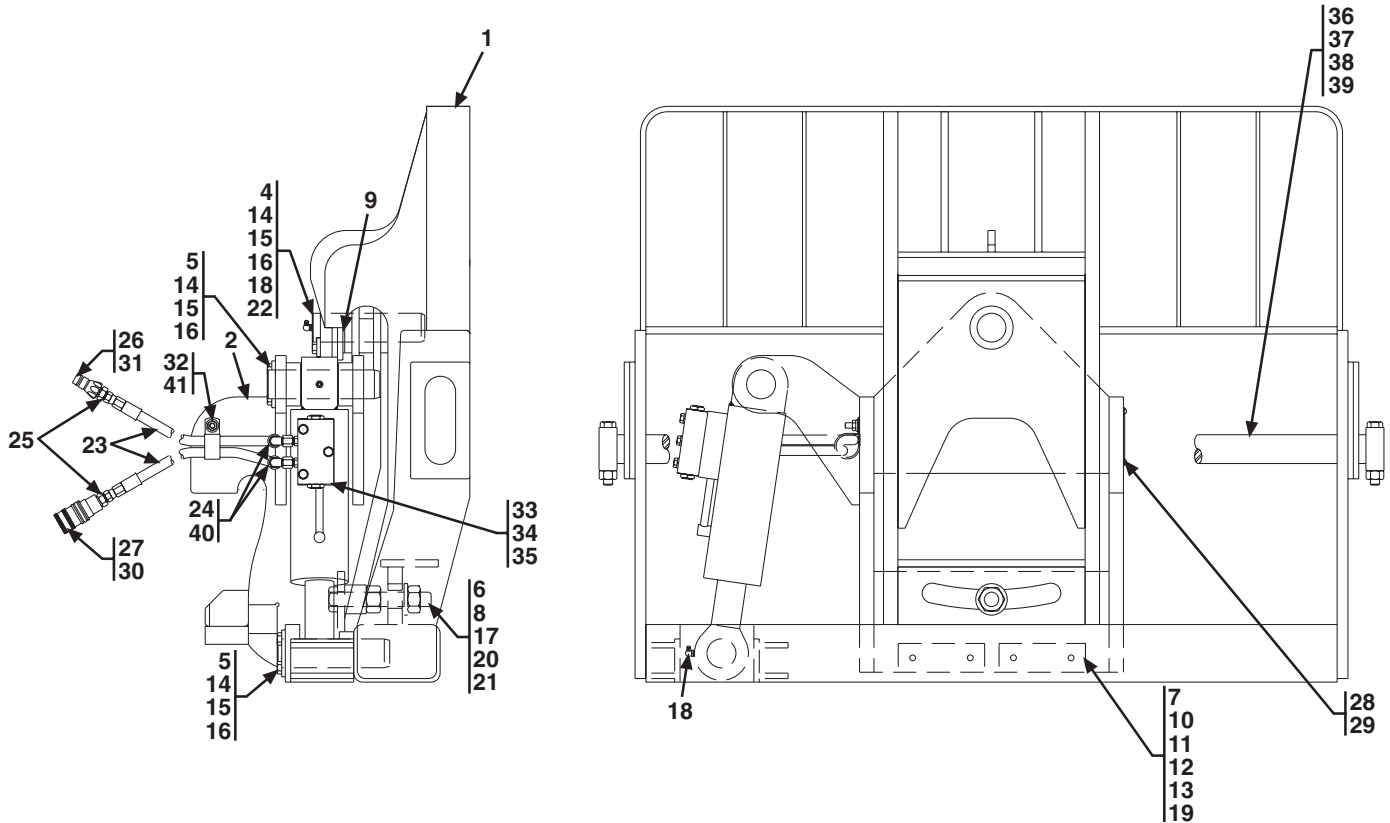
Item	Part No.	Qty.	Description Of Part
9	8866-2006	1	CONNECTOR, (includes 8859-1205 o-ring), (S/N 2005283-01 & After)
10	8866-1016	1	MALE CONNECTOR, 5/8X1/2 TUBE
11	8866-1180	1	FEMALE ELBOW, 90 DEGREES, 1/2X1/2 TUBE
12	8850-1006	2	HEX NUT, 3/8-16
13	8855-1011	2	LOCKWASHER, 3/8
14	9015-3001	1	SERIAL NO. PLATE
15	8834-1022	4	DRIVE SCREW, #10X3/8
16	9045-1039	1	STOP TUBE
17	9103-4372	2	RETAINING RING
18	9103-4373	2	CHAIN ROLLER
19	9103-4374	6	LOAD ROLLER, (inside carriage frame)
20	9103-4375	AR	SHIM
21	9103-4376	4	SIDE THRUST ROLLER, (small outside roller)
22	9103-4377	2	SCREW



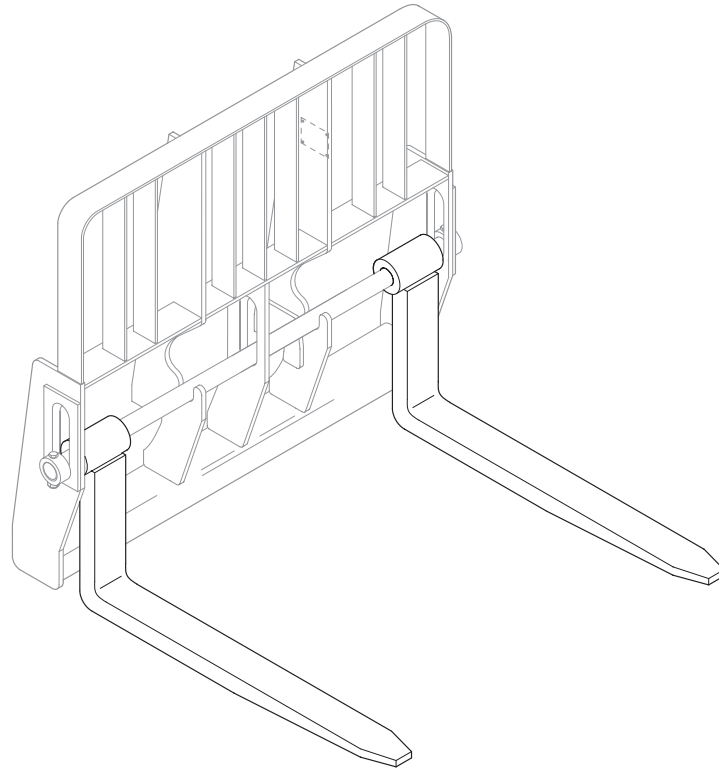
Item	Part No.	Qty.	Description Of Part	Item	Part No.	Qty.	Description Of Part
	9045-5044	1	100° SWING FORK ASSEMBLY, (includes all items)	31	8471-8067	2	HOSE ASSEMBLY
1	9104-6061	1	CARRIAGE WELDMENT	32	9020-4097	2	HOSE ASSEMBLY
2	9104-6062	1	PIVOT WELDMENT	33	7713-3201	2	HOSE ASSEMBLY
3	9045-3034	2	HYDRAULIC CYLINDER	34	8866-2084	2	ELBOW, 45 DEGREE, (includes item 35)
4	9104-1322	2	LOCKING PLATE	35	8859-1204	6	O-RING
5	9141-1073	2	LOCKING PLATE	36	8866-2105	6	ELBOW, 90 DEGREE, (swivel nut)
6	9104-1324	2	PIVOT PIN	37	8866-2152	2	BRANCH TEE, (includes item 35)
7	9104-1325	2	PIVOT PIN	38	8866-2018	2	CONNECTOR, (includes item 39)
8	9104-1326	2	PIVOT PIN	39	8859-1205	4	O-RING
9	8320-1024	4	HEX HD CAPSCREW, 3/8-16X1, GR8	40	9104-1361	2	FITTING
10	8320-1026	4	HEX HD CAPSCREW, 1/2-13X1-1/2, GR8	41	8866-1013	2	MALE CONNECTOR, 1/2X1/2 TUBE, (Before S/N 2005283-01)
11	8858-1136	4	SNAP RING		8866-2006	2	CONNECTOR, (includes 8859-1205 o-ring), (S/N 2005283-01 & After)
12	8867-1022	2	LUBE FITTING, 90 DEGREE, 1/8	42	9116-3139	1	FEMALE QUICK DISCONNECT, (Before S/N 2005283-01)
13	9104-1327	2	BUSHING		9140-3413	1	FEMALE QUICK DISCONNECT, (S/N 2005283-01 & After)
14	9055-1013	1	FORK PIN	43	9116-3138	1	MALE QUICK DISCONNECT, (Before S/N 2005283-01)
15	9020-0003	2	COLLAR		9140-3414	1	MALE QUICK DISCONNECT, (S/N 2005283-01 & After)
16	8820-1105	2	HEX HD CAPSCREW, 5/8-11X4, GR5	44	9104-3125	1	DUST CAP
17	8852-1310	2	HEX LOCKNUT, 5/8-11	45	9104-3126	1	DUST CAP
18	9114-6053	1	LH SUPPORT BRACKET	46	8820-1008	2	HEX HD CAPSCREW, 1/4-20X1-3/4, GR5
19	9114-1350	2	PIN	47	8856-1002	2	FLAT WASHER, 1/4
20	9114-6054	1	RH SUPPORT BRACKET	48	9104-1362	2	ORIFICE FITTING
21	8863-1449	2	ROLL PIN, 1/8X1-1/2	49	9108-3249	1	CLAMP SET
22	9104-3221	2	DETENT PIN	50	7713-3140	1	COVER PLATE
23	9104-1356	6	SPACER	51	7713-3177	1	HEX HD CAPSCREW, 5/16X1-3/8
24	9015-3001	1	SERIAL NUMBER PLATE	52	8866-2106	2	ELBOW, 90 DEGREE, (swivel nut)
25	8834-1022	4	DRIVE SCREW, #10X3/8				
26	9103-3039	2	CHAIN CONNECTION				
27	9103-3038	24"	CHAIN				
28	8867-1008	2	LUBE FITTING, STRAIGHT, 1/4-28				
29	9114-3282	2	PINCH POINT DECAL				
30	9104-3186	1	DOUBLE PILOT CHECK VALVE				



Item	Part No.	Qty.	Description Of Part	Item	Part No.	Qty.	Description Of Part
	9130-5016	1	66" SLOPE PILER CARRIAGE ASSEMBLY, (includes all items)	*25	8866-1010	2	CONNECTOR, (Before S/N 2005283-01)
1	9130-6030	1	CARRIAGE WELDMENT, 66"		8866-2018	2	CONNECTOR, (S/N 2005283-01 & After)
2	9108-6122	1	ADAPTER WELDMENT	*26	9116-3138	1	MALE QUICK DISCONNECT, (Before S/N 2005283-01)
*3		Ref	SWAY CYLINDER, (see page 13-25 for details)		9140-3414	1	MALE QUICK DISCONNECT, (S/N 2005283-01 & After)
4	9108-3248	1	BUSHING	*27	9116-3139	1	FEMALE QUICK DISCONNECT, (Before S/N 2005283-01)
*5	3423263	2	PIN		9140-3413	1	FEMALE QUICK DISCONNECT, (S/N 2005283-01 & After)
6	9020-4007	1	TUBE	28	8834-1022	4	DRIVE SCREW, #10X3/8
7	9103-3186	2	BEARING PAD	29	9015-3001	1	SERIAL PLATE NUMBER
8	9108-1577	1	TAP BOLT	30	9104-3125	1	DUST PLUG
9	9108-1594	1	THRUST WASHER	31	9104-3126	1	DUST CAP
*10	9020-5870	AR	SHIM, 16 GA	32	7714-3015	1	WHIZ LOCKNUT, 3/8-16
11	9103-1236	2	SPACER	*33		Ref	DUAL P.O. CHECK VALVE, (see page 13-26 for details)
*12	8820-1535	4	HEX HD CAPSCREW, 3/8-24X1-1/4, GR5	34	8820-1040	3	HEX HD CAPSCREW, 3/8-16X2-1/4, GR5
*13	8820-1534	4	HEX HD CAPSCREW, 3/8-24X1, GR5	35	8855-1011	3	LOCKWASHER, 3/8
14	9108-1313	3	KEEPER PLATE	36	9130-1083	1	FORK PIN
15	8820-1065	6	HEX HD CAPSCREW, 1/2-13X1, GR5	37	9020-0003	2	COLLAR
16	8855-1013	6	LOCKWASHER, 1/2	38	8820-1105	2	HEX HD CAPSCREW, 5/8-11X4, GR5
17	8852-1016	1	HEX LOCKNUT, 1-8	39	8852-1310	2	HEX LOCKNUT, 5/8-11
18	8867-1022	2	LUBE FITTING, 90 DEGREES, 1/8	40	8866-2105	2	ELBOW, 90 DEGREE, (swivel nut)
19	8856-1109	4	FLAT WASHER, 3/8	41	8452-1062	1	SUPPORT CLAMP
20	8850-1016	1	HEX NUT, 1-8				
21	0510-1441	1	HARDENED WASHER, 1-1/16				
22	9108-1622	1	PIN				
23	8471-6434	2	HOSE ASSEMBLY				
24	8366-1316	2	ADAPTER				



Item	Part No.	Qty.	Description Of Part	Item	Part No.	Qty.	Description Of Part
	9108-5058	1	48" SLOPE PILER CARRIAGE ASSEMBLY, (includes all items)	*25	8866-1010	2	CONNECTOR, (Before S/N 2005283-01)
1	9108-6121	1	CARRIAGE WELDMENT, 48"		8866-2018	2	CONNECTOR, (S/N 2005283-01 & After)
2	9108-6122	1	ADAPTER WELDMENT	*26	9116-3138	1	MALE QUICK DISCONNECT, (Before S/N 2005283-01)
*3		Ref	SWAY CYLINDER, (see page 13-25 for details)		9140-3414	1	MALE QUICK DISCONNECT, (S/N 2005283-01 & After)
4	9108-3248	1	BUSHING	*27	9116-3139	1	FEMALE QUICK DISCONNECT, (Before S/N 2005283-01)
*5	3423263	2	PIN		9140-3413	1	FEMALE QUICK DISCONNECT, (S/N 2005283-01 & After)
6	9020-4007	1	TUBE	28	8834-1022	4	DRIVE SCREW, #10X3/8
7	9103-3186	2	BEARING PAD	29	9015-3001	1	SERIAL PLATE NUMBER
8	9108-1577	1	TAP BOLT	30	9104-3125	1	DUST PLUG
9	9108-1594	1	THRUST WASHER	31	9104-3126	1	DUST CAP
*10	9020-5870	AR	SHIM, 16 GA	32	7714-3015	1	WHIZ-LOCK NUT, 3/8-16
*11	9103-1236	2	SPACER	*33		Ref	DUAL P.O. CHECK VALVE, (see page 13-26 for details)
*12	8820-1535	4	HEX HD CAPSCREW, 3/8-24X1-1/4, GR5	34	8820-1040	3	HEX HD CAPSCREW, 3/8-16X2-1/4, GR5
*13	8820-1534	4	HEX HD CAPSCREW, 3/8-24X1, GR5	35	8855-1011	3	LOCKWASHER, 3/8
14	9108-1313	3	KEEPER PLATE	36	9045-1058	1	FORK PIN
15	8820-1065	6	HEX HD CAPSCREW, 1/2-13X1, GR5	37	9020-0003	2	COLLAR
16	8855-1013	6	LOCKWASHER, 1/2	38	8820-1105	2	HEX HD CAPSCREW, 5/8-11X4, GR5
17	8852-1016	1	HEX LOCKNUT, 1-8	39	8852-1310	2	HEX LOCKNUT, 5/8-11
18	8867-1022	2	LUBE FITTING, 90 DEGREES, 1/8	40	8866-2105	2	ELBOW, 90 DEGREE, (swivel nut)
19	8856-1109	4	FLAT WASHER, 3/8	41	8452-1062	1	SUPPORT CLAMP
20	8850-1016	1	HEX NUT, 1-8				
21	0510-1441	1	HARDENED WASHER, 1-1/16				
22	9108-1622	1	PIN				
23	8471-6434	2	HOSE ASSEMBLY				
*24	8366-1316	2	CONNECTOR				

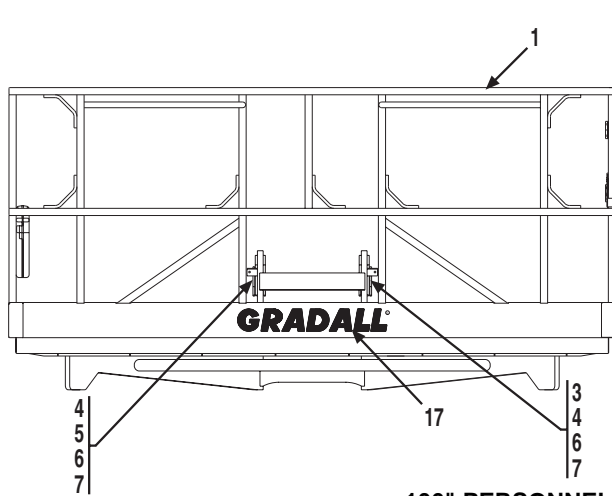


NOTE: FORKS RATED LESS THAN THE ATTACHMENT OR MACHINE'S CAPACITY DECREASE CAPACITY OF THE ATTACHMENT OR MACHINE TO THAT OF THE FORKS. FORKS RATED MORE THAN THE ATTACHMENT OR MACHINE'S CAPACITY DO NOT INCREASE ATTACHMENT OR MACHINE'S CAPACITY.

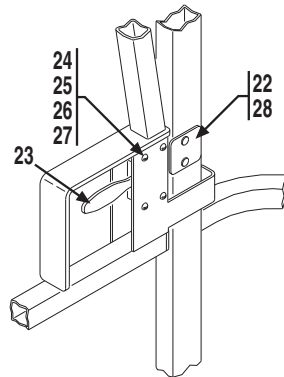
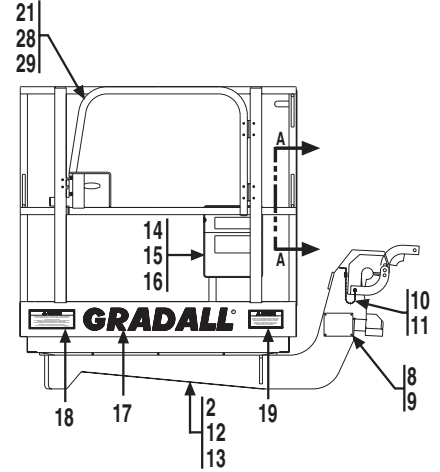
NOTE: PLEASE CONSULT THE GRADALL PARTS DEPARTMENT TO DETERMINE THE CORRECT FORKS APPLICABLE TO YOUR SPECIFIC CARRIAGE ASSEMBLY AND APPLICATION.

Item	Part No.	Qty.	Description Of Part	Item	Part No.	Qty.	Description Of Part
	9060-0390	2	48" CUBING FORK, 2X2, 3000 lbs., (B, C & D series)		9055-3018	2	72" PALLET FORK, 2X6, 10,000 lbs., (B, C & D series)
	9060-1819	2	48" PALLET FORK, 1-3/4X6, 9000 lbs., (B, C & D series)		9112-3132	2	72" PALLET FORK, 2X6, 10,000 lbs., (B, C & D series)
	9045-3002	2	48" PALLET FORK, 2X4, 8000 lbs., (B, C & D series)		9060-0832	2	48" PALLET FORK, 2-1/4X8, 16,000 lbs., (used on the 542, 552, & 554)
	9055-3005	2	48" PALLET FORK, 2X6, 10,000 lbs., (B, C & D series)		9060-1873	2	48" PALLET FORK, 2-1/4X7, 15,000 lbs., (used on the 542, 552, & 554)
	9055-3008	2	48" PALLET FORK, 1-3/4X4, 5000 lbs., (used on 6' swing mast only, P/N 9045-5047)		9060-0833	2	60" PALLET FORK, 2-1/4X8, 16,000 lbs., (used on the 542, 552 & 554)
	9060-1015	2	60" PALLET FORK, 2X6, 10,000 lbs., (B, C & D series)		9060-1219	2	60" PALLET FORK, 2-1/2X8, 16,000 lbs., (used on the 542, 552 & 554)
	9116-3269	2	60" PALLET FORK, 2X6, 11,300 lbs., (B, C & D series)		9060-1874	2	60" PALLET FORK, 2-1/4X7, 15,000 lbs., (used on the 542, 552 & 554)
	9045-3045	2	60" PALLET FORK, 2X6, 11,300 lbs., (used on 6' swing mast only, P/N 9045-5054)		H045-3002	2	96" PALLET FORK, 2X6, 7500 lbs. loaded center, (B, C & D series)
					9055-3018	2	72" PALLET FORK, 2X6, 10,000 lbs., (B, C & D series)

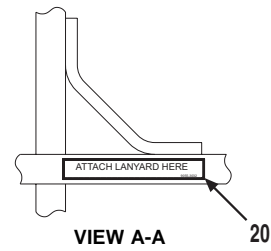
**DO NOT USE THE PERSONNEL PLATFORM UNTIL PROPER
 CAPACITY CHART AND DECALS ARE IN PLACE.**



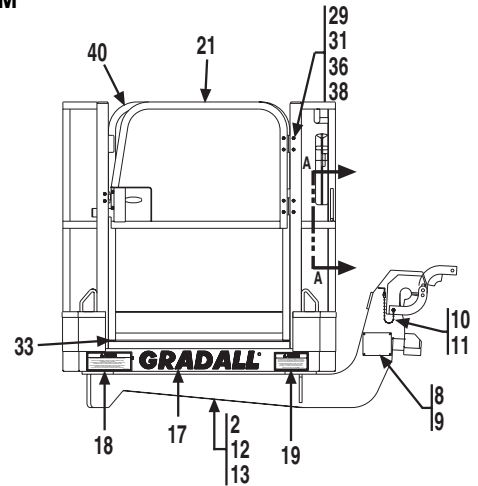
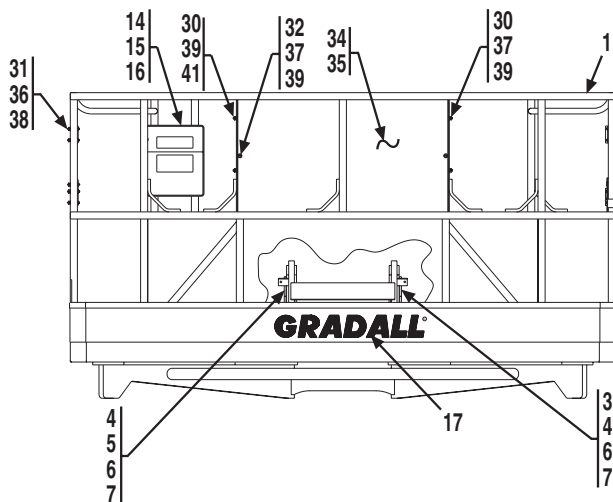
106" PERSONNEL PLATFORM



**VIEW OF LATCH
 AREA ON GATE**

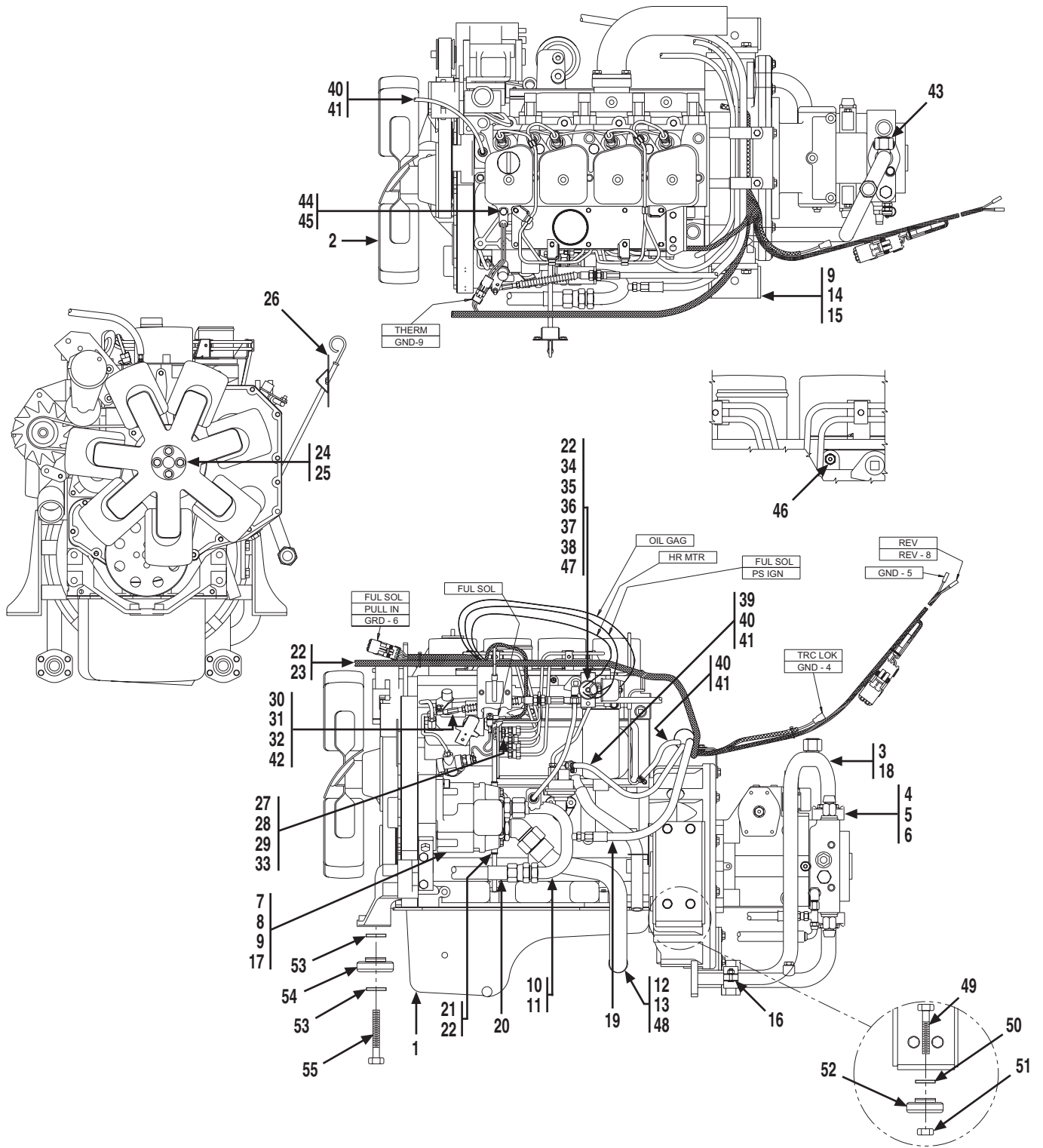


96" PERSONNEL PLATFORM



**DO NOT USE THE PERSONNEL PLATFORM UNTIL PROPER
CAPACITY CHART AND DECALS ARE IN PLACE.**

Item	Part No.	Qty.	Description Of Part	Item	Part No.	Qty.	Description Of Part
1	9055-5024	1	PERSONNEL PLATFORM ASSY, (includes all items)	20	9055-3032	AR	LANYARD DECAL
		1	106" PERSONNEL PLATFORM, (includes items 21 thru 29)	21	9055-4006	1	GATE
	9055-3034	1	96" PERSONNEL PLATFORM, (includes items 21 thru 27 & 29 thru 41)	22	9055-4007	1	LATCH PLATE
2	9055-6020	1	ADAPTER SUPPORT	23	9055-4008	1	LATCH
3	9114-6053	1	L.H. SUPPORT BRACKET	24	9055-4009	4	ROUND HD SCREW
4	9114-1350	2	PIN	25	9055-4010	4	HEX NUT, #10-24
5	9114-6054	1	R.H. SUPPORT BRACKET	26	9055-4011	4	WASHER, #10
6	8863-1449	2	ROLL PIN, 1/8X1-1/2	27	9055-4012	4	WASHER
7	9104-3221	2	DETENT PIN	28	9055-4013	10	BLIND FASTENER
8	9055-3033	1	SERIAL NUMBER PLATE	29	9055-4014	2	HINGE
9	8834-1022	4	DRIVE SCREW, #10X3/8	30	0641524	4	HEX HD CAPSCREW, 5/16-18X3
10	9103-3039	2	CHAIN CONNECTION	31	2080063	16	NYLON LOCK NUT, 1/4-20
11	9103-3038	24"	CHAIN	32	2080064	14	NYLON LOCK NUT, 5/16-18
12	8608-1050	8	HEX HD CAPSCREW, 5/8-11X1-1/2	33	3520072	5	CAP PLUG
13	8855-1015	8	LOCK WASHER, 5/8	34	3573363	1	GUARD PLATE
14	9140-3230	1	MANUAL HOLDER	35	3641438	1	BENT RAIL
15	7714-3013	4	WHIZ-LOCK NUT, 1/4-20	36	3911428	16	ROUND HD SCREW, 1/4-20X3/4
16	9055-4001	1	PERSONNEL WORK PLATFORM MANUAL	37	3911528	12	ROUND HD SCREW, 5/16-18X3/4
17	8090-3009	3	GRADALL DECAL, (106" platform)	38	4711400	16	WASHER, 1/4
	7733-3053	3	GRADALL DECAL, (96" platform)	39	4711500	32	WASHER, 5/16
18	9055-3026	1	WARNING DECAL	40	4846528	1	BASKET END WELDMENT
19	9055-3031	1	WARNING DECAL	41	3311501	2	HEX NUT, 5/16-18
							NOTE: ONLY ITEMS WITH PART NUMBERS ARE AVAILABLE FOR SERVICE.

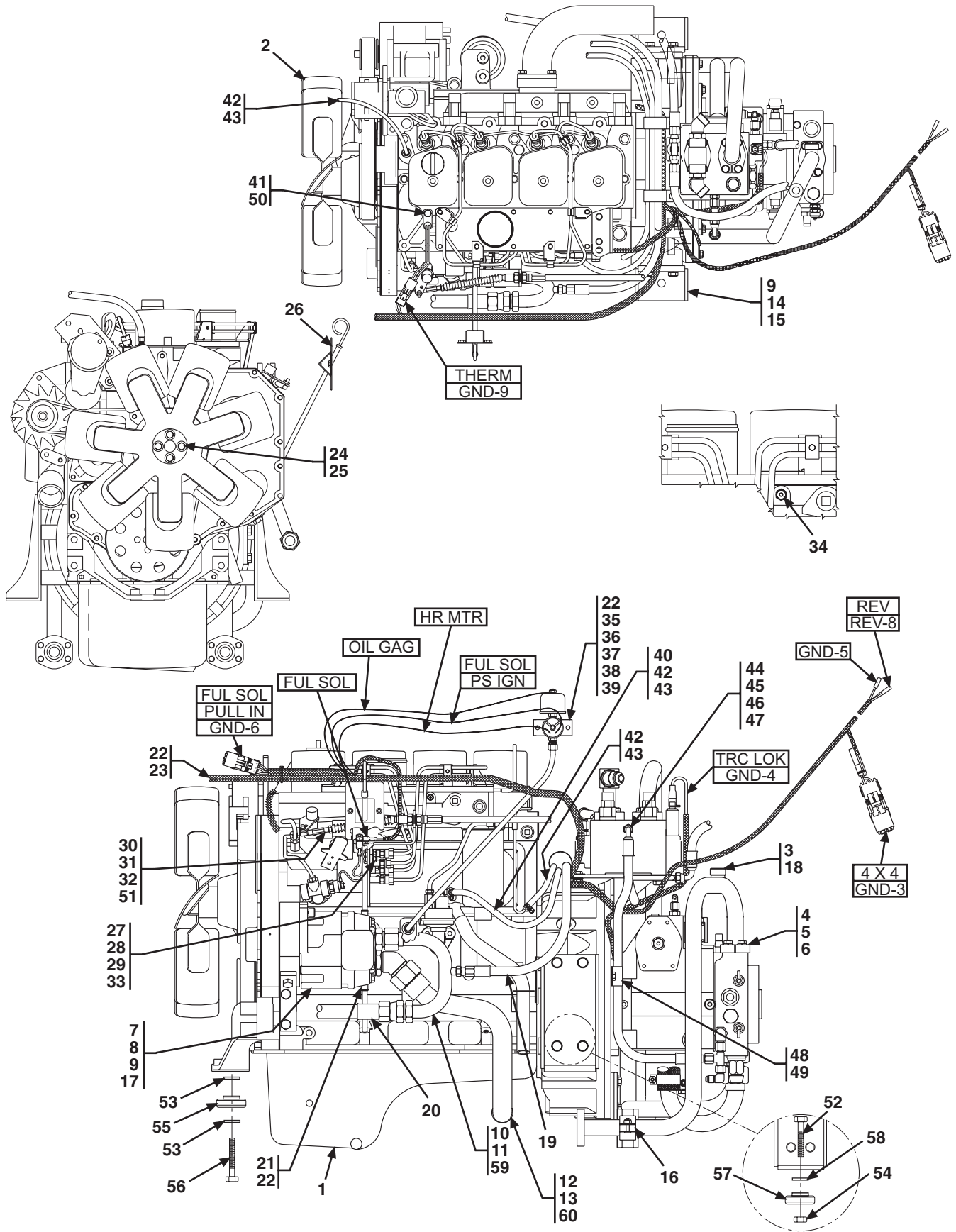


SERVICE NOTES:

- 1). Use Loctite 242, P/N 1440-3364, on all bolt threads.
- 2). Use Loctite pipe sealant, P/N 1440-4082, on all pipe threads.
- 3). Use Loctite 545, P/N 1440-4082, on all hydraulic fitting threads.
- 3). Add 12 qts. of oil, P/N 1440-3420, to crankcase.

Part No.	Description Of Part
9133-5033	CUMMINS ENGINE FILTER KIT, (includes all items)
9108-4001	OIL FILTER ELEMENT
7738-3303	FUEL FILTER
9108-3218	FUEL FILTER
9140-3103	AIR FILTER SAFETY ELEMENT
9140-3102	AIR FILTER ELEMENT

Item	Part No.	Qty.	Description Of Part	Item	Part No.	Qty.	Description Of Part
	9139-5007	Ref	ENGINE ASSEMBLY, (includes all items on page 5-1 except 49 thru 55; includes items 1 thru 55 on page 5-2, and all items on page 5-3)	28	8855-1009	2	LOCKWASHER, 1/4
1	9133-3031	1	CUMMINS ENGINE, B3.9C-80	29	8850-1616	2	HEX NUT, 1/4
2	9130-3056	1	FAN ASSEMBLY	30	8368-3246	1	BALL JOINT TERMINAL
3	9114-3055	1	TUBE ASSEMBLY	31	8850-1304	1	HEX NUT, 1/4-28
4	8471-2738	2	SPLIT FLANGE CLAMP	32	9116-3260	1	ACCELERATOR CABLE
5	8320-1135	4	HEX HDCAPSCREW, 7/16-14X1-1/2, GR8	33	9133-1020	1	THROTTLE CABLE BRACKET
6	8855-1012	4	LOCKWASHER, 7/16	34	2474-1047	1	PRESSURE SWITCH
7		Ref	MAIN PUMP, (see page 10-13 for details)	35	9114-3315	1	OIL PRESSURE SENDER
8	8319-1057	2	SOCKET HDCAPSCREW, M12X1.75X80	36	9108-1388	1	TAPPED BAR
9	8319-1010	10	LOCKWASHER, M12	37	8688-3075	1	TUBE FITTING
10	9132-3023	1	TUBE ASSEMBLY	38	7207-1980	18"	NYLON TUBE, 3/8
11	8866-2010	1	CONNECTOR, (includes item 59)	39	9003-0271	1	HOSE NIPPLE
12	9132-3022	1	SUCTION TUBE	40	8209-2118	118"	FUEL LINE HOSE, 5/16
13	8866-2090	1	ELBOW, 45 DEGREE, (includes item 48)	41	8688-3106	4	HOSE CLAMP
14	9133-6004	2	REAR ENGINE MOUNTING BRACKET	42	9002-7684	1	YOKE END
15	8319-1032	8	HEX HDCAPSCREW, M12X1.75X35, GR8, (torque to 58-68 ft. lbs.)	43	8471-4006	2	ORSCAP
16	9020-5792	1	CUSHION CLAMP	44	9136-5014	1	QUICK START THERMOSTAT ASSY, (includes the following four items)
17	9002-7471	2	HARD WASHER		9136-3031	1	THERMOSTAT
18	9108-3106	1	O-RING		8096-3058	1	SHROUD CONNECTOR, 2-WIRE
19	8471-7934	1	HOSE ASSEMBLY		8096-3069	2	MALE PIN TERMINAL
20	8471-7851	1	HOSE ASSEMBLY		8096-3065	2	CABLE SEAL
21	9108-3493	10"	SPLIT FLEX LOOM, 1/2	45	8319-1038	1	HEX HDCAPSCREW, M10X1.5X20
22	9002-7187	4	TY RAP	46	9136-3029	1	ATOMIZER
23		Ref	ENGINE WIRING HARNESS, (see page 11-2 for details)	47	8688-3074	1	TUBE FITTING, 90 DEGREE
24	8319-1041	4	HEX HDCAPSCREW, M8X1.25X70	48	8859-1210	1	O-RING
25	8856-1108	4	FLAT WASHER, 5/16	49	7732-1274	2	HEX HDCAPSCREW, 7/8-9X5, GR8
26	9114-6101	1	DIPSTICK WELDMENT	50	9133-1002	2	REBOUND WASHER
27	8820-1003	2	HEX HDCAPSCREW, 1/4-20X3/4, GR5	51	8852-1214	2	HEX LOCKNUT, 7/8-9
				52	9133-3003	2	SHOCK MOUNT
				53	9108-1158	2	REBOUND WASHER
				54	9133-3002	1	SHOCK MOUNT
				55	9108-3338	1	HEX HDCAPSCREW, M16X120, GR8
				56	8859-1209	1	O-RING
							NOTE: ONLY ITEMS WITH PART NUMBERS ARE AVAILABLE FOR SERVICE

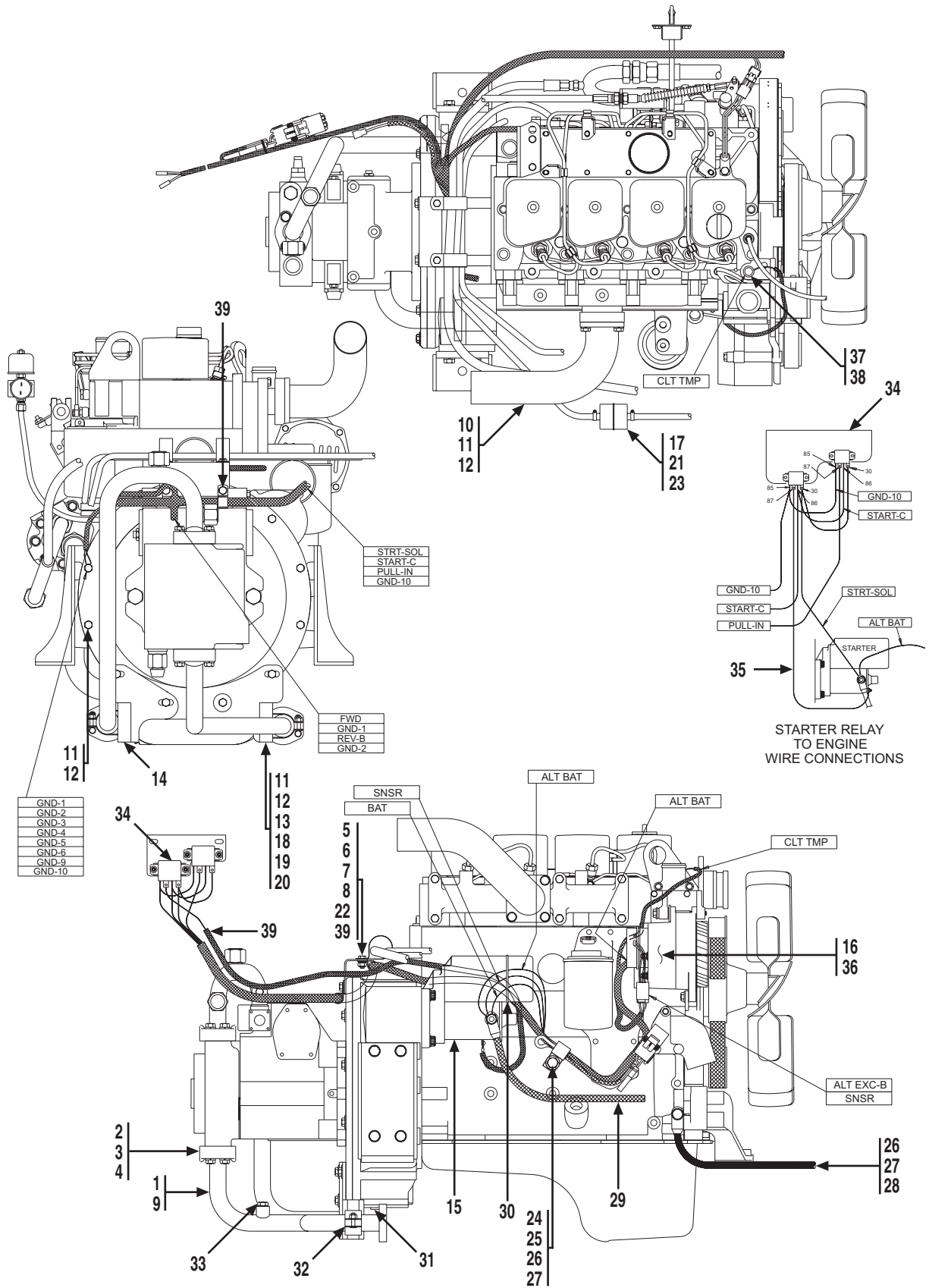


SERVICE NOTES:

- 1). Use Loctite 242, P/N 1440-3364, on all bolt threads.
- 2). Use Loctite pipe sealant, P/N 1440-4082, on all pipe threads.
- 3). Use Loctite 545, P/N 1440-4082, on all hydraulic fitting threads.
- 3). Add 12 qts. of oil, P/N 1440-3420, to crankcase.

Part No.	Description Of Part
9133-5033	CUMMINS ENGINE FILTER KIT, (includes all items)
9108-4001	OIL FILTER ELEMENT
7738-3303	FUEL FILTER
9108-3218	FUEL FILTER
9140-3103	AIR FILTER SAFETY ELEMENT
9140-3102	AIR FILTER ELEMENT

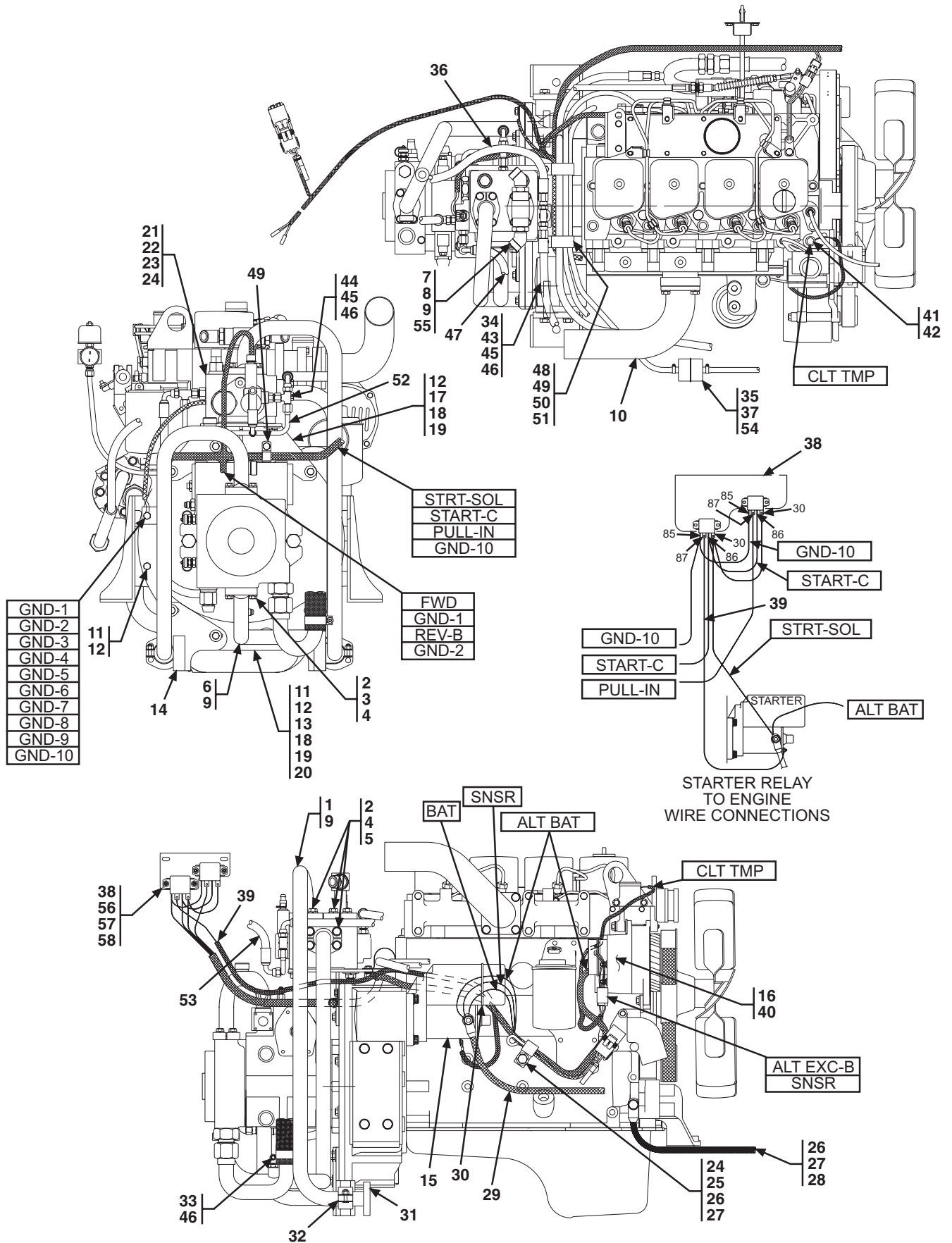
Item	Part No.	Qty.	Description Of Part	Item	Part No.	Qty.	Description Of Part
	9138-5020	Ref	ENGINE ASSEMBLY, (includes all items on page 5-1 except 52 thru 58; includes items 1 thru 55 on page 5-3, and all items on page 5-5)	31	8850-1304	1	HEX NUT, 1/4-28
1	9133-3031	1	CUMMINS ENGINE, B3.9C-80	32	9116-3260	1	ACCELERATOR CABLE
2	9130-3056	1	FAN ASSEMBLY	33	9133-1020	1	THROTTLE CABLE BRACKET
3	9114-3055	1	TUBE ASSEMBLY	34	9136-3029	1	ATOMIZER, 1/8
4	8471-2738	2	SPLIT FLANGE CLAMP	35	2474-1047	1	PRESSURE SWITCH
5	8320-1135	4	HEX HD CAPSCREW, 7/16-14X1-1/2, GR8	36	9114-3315	1	OIL PRESSURE SENDER
6	8855-1012	4	LOCKWASHER, 7/16	37	9108-1388	1	TAPPED BAR
7		Ref	MAIN PUMP, (see page 10-13 for details)	38	8688-3075	2	TUBE FITTING
8	8319-1057	2	SOCKET HD CAPSCREW, M12X1.75X80	39		18"	NYLON HOSE, 3/8
9	8319-1010	10	LOCKWASHER, M12	40	9003-0271	1	HOSE NIPPLE
10	9132-3023	1	TUBE ASSEMBLY	41	8319-1038	1	HEX HD CAPSCREW, M10X1.5X20
11	8866-2010	1	CONNECTOR, (includes item 59)	42	8209-2118	114"	FUEL LINE HOSE, 5/16
12	9132-3022	1	SUCTION TUBE	43	8688-3106	4	HOSE CLAMP
13	8866-2090	1	ELBOW, 45 DEGREE, (includes item 60)	44	7713-3447	1	HOSE ASSEMBLY
14	9133-6004	2	REAR ENGINE MOUNTING BRACKET	45	9108-3306	1	CONNECTOR, (includes item 47)
15	8319-1032	8	HEX HD CAPSCREW, M12X1.75X35, GR8, (torque to 58-68 ft lbs)	46	8866-2239	1	SWIVEL NUT RUN TEE, 3/8 TUBE
16	9020-5792	1	CUSHION CLAMP	47	8859-1206	1	O-RING
17	9002-7471	2	HARD WASHER	48	8594-1017	1	SUPPORT CLAMP
18	9108-3106	1	O-RING	49	8856-1109	1	FLAT WASHER, 3/8
19	8471-7934	1	HOSE ASSEMBLY	50	9136-5014	1	QUICK START THERMOSTAT ASSEMBLY, (includes the following four items)
20	8471-7851	1	HOSE ASSEMBLY		9136-3031	1	THERMOSTAT
21	9108-3493	10"	SPLIT FLEX LOOM, 1/2		8096-3058	1	SHROUD CONNECTOR, 2-WIRE
22	9002-7187	4	TYRAP		8096-3069	2	MALE PIN TERMINAL
23		Ref	ENGINE WIRING HARNESS, (see page 11-2 for details)		8096-3065	2	CABLE SEAL
24	8319-1041	4	HEX HD CAPSCREW, M8X1.25X70	51	9002-7684	1	YOKE END
25	8856-1108	4	FLAT WASHER, 5/16	52	7732-1274	2	HEX HD CAPSCREW, 7/8-9X5, GR8
26	9114-6101	1	DIPSTICK WELDMENT	53	9108-1158	2	REBOUND WASHER
27	8820-1003	2	HEX HD CAPSCREW, 1/4-20X3/4, GR5	54	8852-1214	2	HEX LOCKNUT, 7/8-9
28	8855-1009	2	LOCKWASHER, 1/4	55	9133-3002	1	SHOCK MOUNT
29	8850-1616	2	HEX NUT, 1/4	56	9108-3338	1	HEX HD CAPSCREW, M16X120, GR8
30	8368-3246	1	BALL JOINT TERMINAL	57	9133-3003	2	SHOCK MOUNT
				58	9133-1002	2	REBOUND WASHER
				59	8859-1209	1	O-RING
				60	8859-1210	1	O-RING
							NOTE: ONLY ITEMS WITH PART NUMBERS ARE AVAILABLE FOR SERVICE.



SERVICE NOTES:

- 1). Use Loctite, P/N 1440-3364, on all bolt & fitting threads except pipe threads.
- 2). Use Loctite pipe sealant, P/N 1440-4082, on all pipe threads.
- 3). Add 12 qts. of oil, P/N 1440-3420, to crankcase.

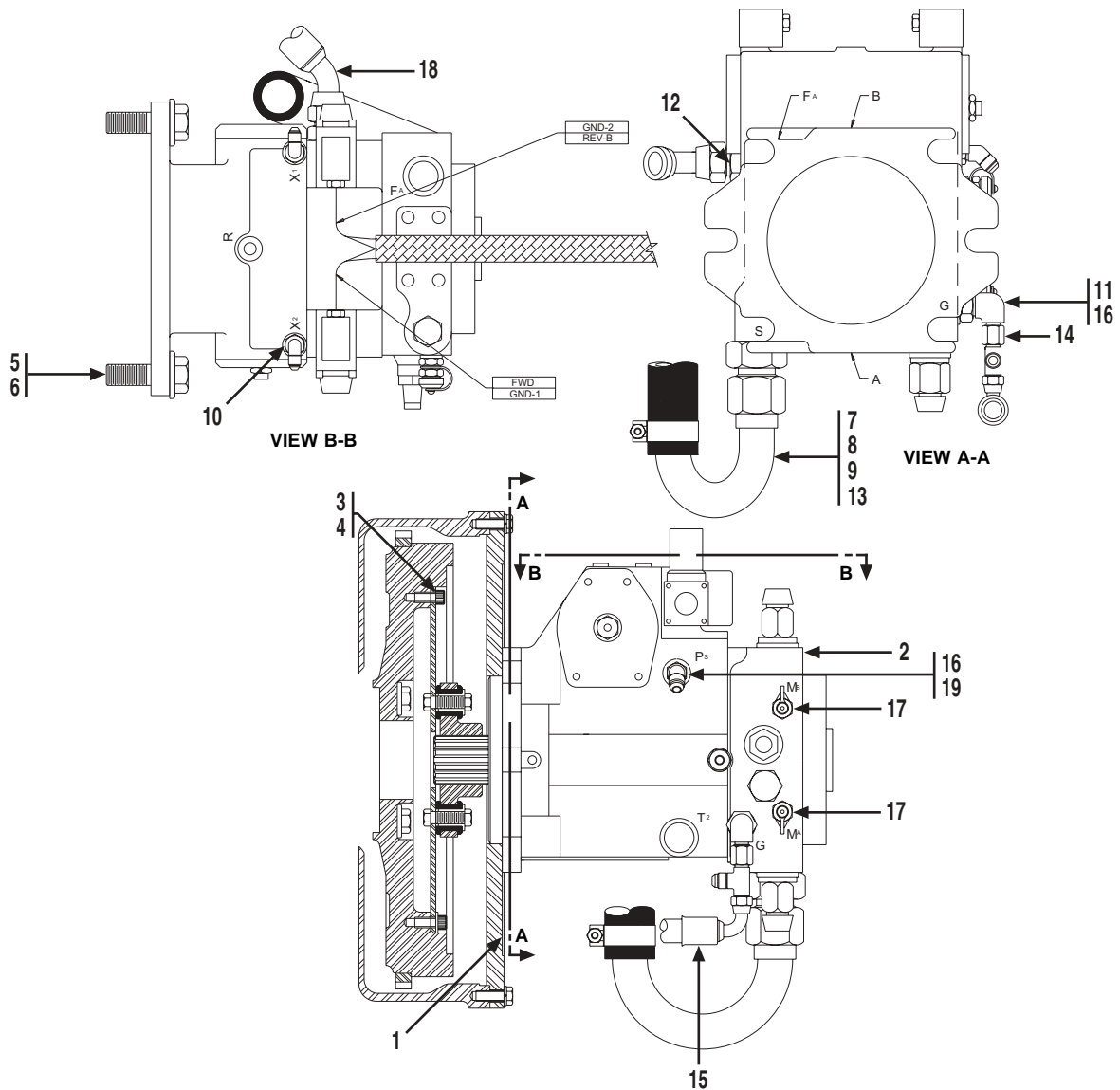
Item	Part No.	Qty.	Description Of Part	Item	Part No.	Qty.	Description Of Part
	9139-5007	Ref	ENGINE ASSEMBLY, (includes all items on page 5-1 except 49 thru 55; includes items 1 thru 39 on page 5-2, and all items on page 5-3)	23	8855-1013	11"	5/16, HOSE
1	9133-3004	1	TUBE ASSEMBLY	24	8856-1111	1	FLAT WASHER, 1/2
2	8471-2738	2	SPLIT FLANGE CLAMP	25	9114-3122	1	SUPPORT CLAMP, 5/8
3	8320-1135	4	HEX HD CAPSCREW, 7/16-14X1-1/2, GR8	26	8319-1004	2	HEX HD CAPSCREW, M12X1.75X30, GR8
4	8855-1012	4	LOCKWASHER, 7/16	27	8319-1010	2	LOCKWASHER, M12
5	8820-1018	2	HEX HD CAPSCREW, 5/16-18X-3/4, GR8	28	9108-3481	1	NEGATIVE BATTERY CABLE
6	8850-1005	2	HEX NUT, 5/16-18	29	9108-3482	1	POSITIVE BATTERY CABLE
7	9109-1001	1	CLAMP SUPPORT	30	9002-7187	1	TY-RAP
8	8855-1010	2	LOCKWASHER, 5/16	31	8871-1284	1	HEX SOCKET PIPE PLUG, 3/4
9	9108-3106	1	O-RING	32	9020-5792	1	CUSHION CLAMP
10		Ref	EXHAUST TUBING & ATTACHING PARTS, (see page 5-8 for details)	33	8866-1384	1	HEX HD PLUG, 3/8 TUBE,
11	8319-1021	13	HEX HD CAPSCREW, M10X1.5X30, GR8	34	9134-5008	1	STARTER RELAY ASSEMBLY, (includes the following seven items)
12	8319-1013	16	LOCKWASHER, M10		7738-3377	2	SOLENOID RELAY
13	9133-6003	1	TUBE SUPPORT		8821-1028	4	HEX HD CAPSCREW, #10-24X1/2, GR8
14	9108-6131	1	TUBE SUPPORT		8850-1612	4	HEX NUT, #10-24
15	9108-3456	1	STARTER		8855-1007	4	LOCKWASHER, #10
16	9108-3503	1	ALTERNATOR, (includes item 36)		8856-1105	4	FLAT WASHER, #10
17	9114-6058	1	FLOW DIVIDER BRACKET		9133-1014	1	RELAY MOUNTING PLATE
18	8319-1006	1	HEX HD CAPSCREW, M10X1.5X40, GR8		9137-3009	1	JUMPER WIRE
19	8856-1109	3	FLAT WASHER, 3/8	35	9136-3066	1	JUMPER WIRE
20	8319-1005	2	HEX HD CAPSCREW, M10X1.5X45, GR8	36	9108-3504	1	REGULATOR
21	8348-3497	2	HOSE CLAMP	37	9114-3314	1	WATER TEMPERATURE SENDER
22	9002-8660	2	SUPPORT CLAMP	38	8871-1385	1	REDUCER BUSHING, 1/2X1/8
				39	2486-1170	3	SUPPORT CLAMP
							NOTE: ONLY ITEMS WITH PART NUMBERS ARE AVAILABLE FOR SERVICE.



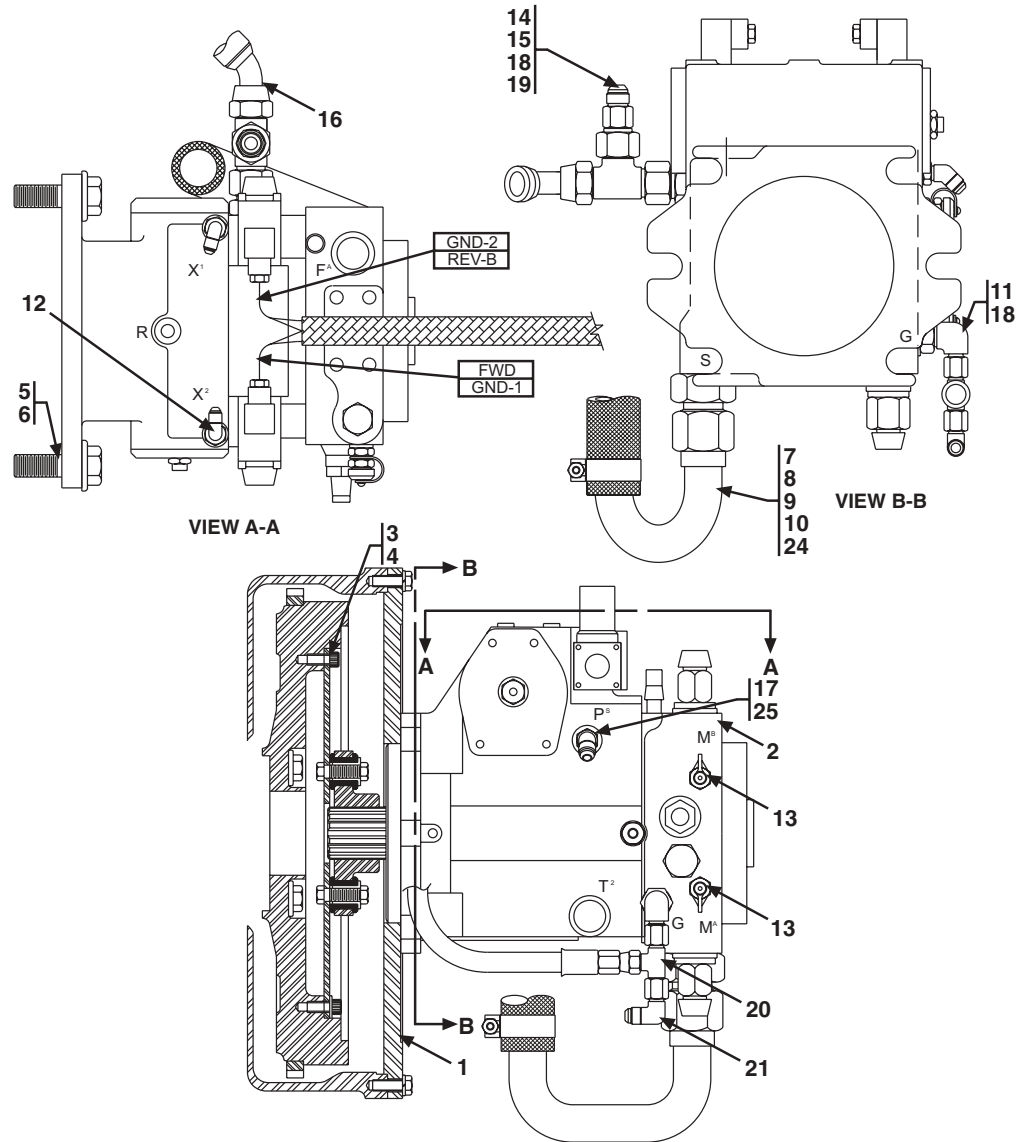
SERVICE NOTES:

- 1). Use Loctite, P/N 1440-3364, on all bolt & fitting threads except pipe threads.
- 2). Use Loctite pipe sealant, P/N 1440-4082, on all pipe threads.
- 3). Add 12 qts. of oil, P/N 1440-3420, to crankcase.

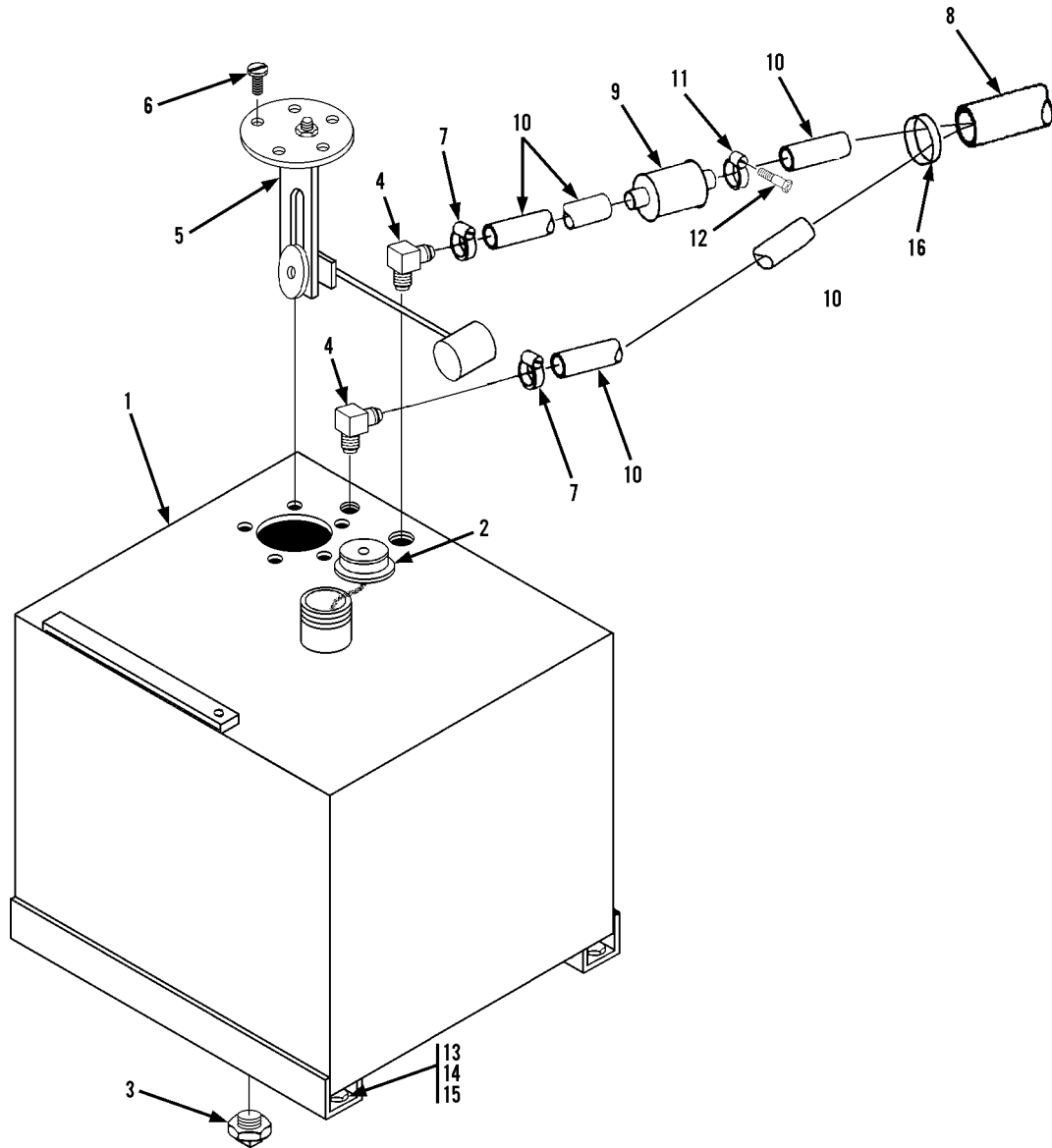
Item	Part No.	Qty.	Description Of Part	Item	Part No.	Qty.	Description Of Part
	9138-5020	Ref	ENGINE ASSEMBLY, (includes all items on page 5-1 except 52 thru 58; includes items 1 thru 55 on page 5-2, and all items on page 5-3)	31	8871-1284	1	HEX SOCKET PIPE PLUG, 3/4
1	9133-3004	1	TUBE ASSEMBLY	32	9020-5792	1	CUSHION CLAMP
2	8471-2738	8	SPLIT FLANGE CLAMP	33	8866-2064	1	ELBOW, 90 DEGREES, (includes item 46)
3	8320-1135	4	HEX HD CAPSCREW, 7/16-14X1-1/2, GR8	34	8866-2224	1	SWIVEL NUT RUN TEE, 3/8 TUBE
4	8855-1012	16	LOCKWASHER, 7/16	35		11"	HOSE, 5/16
5	8320-1155	12	HEX HD CAPSCREW, 7/16-14X1-3/4, GR8	36	8471-9141	1	HOSE ASSEMBLY
6	9116-3201	1	TUBE ASSEMBLY	37	8348-3497	2	HOSE CLAMP
7	9108-3266	1	TUBE ASSEMBLY	38	9134-5008	1	STARTER RELAY ASSEMBLY, (includes the following seven items)
8	8866-2421	2	ELBOW, 45 DEGREES, (includes item 55)		7738-3377	2	SOLENOID RELAY
9	9108-3106	4	O-RING		8821-1028	4	HEX HD CAPSCREW, #10-24X1/2, GR8
10		Ref	EXHAUST TUBING & ATTACHING PARTS, (see page 5-8 for details)		8850-1612	4	HEX NUT, #10-24
11	8319-1021	5	HEX HD CAPSCREW, M10X1.5X30, GR8		8855-1007	4	LOCKWASHER, #10
12	8319-1013	12	LOCKWASHER, M10		8856-1105	4	FLAT WASHER, #10
13	9133-6003	1	TUBE SUPPORT		9133-1014	1	RELAY MOUNTING PLATE
14	9108-6131	1	TUBE SUPPORT		9137-3009	1	JUMPER WIRE
15	9108-3456	1	STARTER	39	9136-3066	1	JUMPER WIRE
16	9108-3503	1	ALTERNATOR, (includes item 40)	40	9108-3504	1	REGULATOR
17	9114-6058	1	FLOW DIVIDER BRACKET	41	9114-3314	1	WATER TEMPERATURE SENDER
18	8319-1006	5	HEX HD CAPSCREW, M10X1.5X40, GR8	42	8871-1385	1	REDUCER BUSHING, 1/2X1/8
19	8856-1109	7	FLAT WASHER, 3/8	43	8471-7889	1	HOSE ASSEMBLY
20	8319-1005	2	HEX HD CAPSCREW, M10X1.5X45, GR8	44	8866-2224	1	SWIVEL NUT BRANCH TEE, 3/8 TUBE
21		Ref	TRACTION LOCK VALVE, (see page 10-18 for details)	45	8866-2005	2	CONNECTOR, (includes item 46)
22	8820-1065	2	HEX HD CAPSCREW, 1/2-13X1, GR5	46	8859-1204	3	O-RING
23	8855-1013	2	LOCKWASHER, 1/2	47	8471-8185	1	HOSE ASSEMBLY
24	8856-1111	3	FLAT WASHER, 1/2	48	9002-8660	2	SUPPORT CLAMP
25	9114-3122	1	SUPPORT CLAMP, 5/8	49	2486-1170	4	SUPPORT CLAMP
26	8319-1004	2	HEX HD CAPSCREW, M12X1.75X30, GR8	50	8820-1020	2	HEX HD CAPSCREW, 5/16-18X1, GR5
27	8319-1010	2	LOCKWASHER, M12	51	8852-1205	2	HEX LOCKNUT, 5/16-18
28	9108-3481	1	NEGATIVE BATTERY CABLE	52	9116-3098	1	FLOW DIVIDER TUBE
29	9108-3482	1	POSITIVE BATTERY CABLE	53	8471-9142	1	HOSE ASSEMBLY
30	9002-7187	1	TY-RAP	54	9108-3218	1	FUEL FILTER
				55	8859-1207	2	O-RING
				56	8820-1001	2	HEX HD CAPSCREW, 1/4-20X1/2, GR5
				57	8856-1107	1	FLAT WASHER, 1/4
				58	8855-1009	2	LOCKWASHER, 1/4
							NOTE: ONLY ITEMS WITH PART NUMBERS ARE AVAILABLE FOR SERVICE.



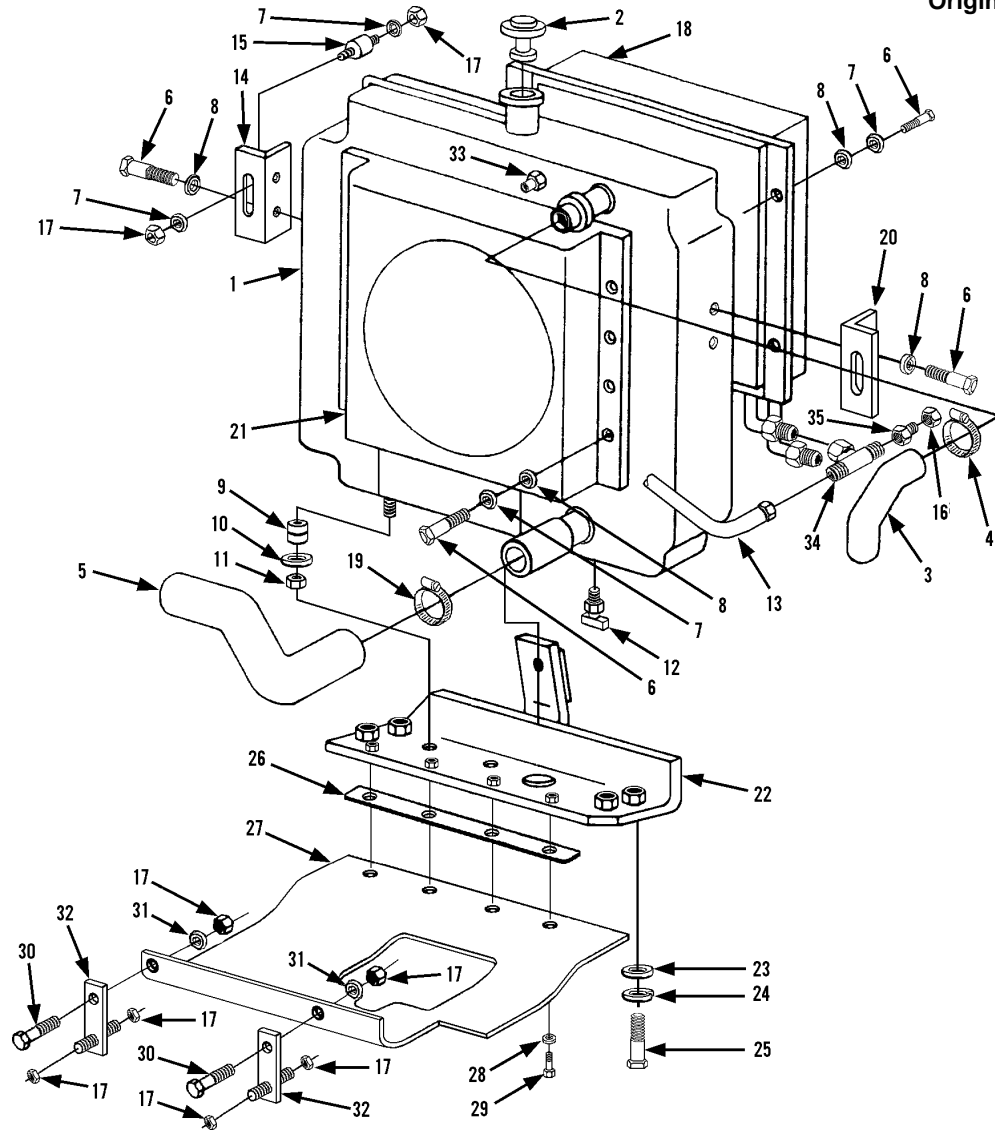
Item	Part No.	Qty.	Description Of Part	Item	Part No.	Qty.	Description Of Part
	9139-5007	Ref	ENGINE ASSEMBLY, (includes all items on page 5-1 except 52 thru 58; includes items 1 thru 55 on page 5-2, and all items on page 5-3)	10	9002-7906	2	ELBOW, 90 DEGREES
1	9108-3019	1	PUMP MT. & FLYWHEEL COUPLING, (includes items 20 and 21)	11	9108-3222	1	STR THD REDUCER CONNECTOR, 90 DEGREE, (includes item 16)
2		Ref	HYDROSTATIC TRANS. PUMP, (see page 10-14 for details)	12	8866-2008	1	CONNECTOR, (includes item 16)
3	8821-1068	8	SOCKET HDCAPSCREW, 3/8-16X5/8, GR8, (torque to 40-45 ft lbs)	13	9108-3536	1	INTAKE TUBE
4	8855-1011	8	LOCKWASHER, 3/8	14	8866-2239	1	SWIVEL NUT RUN TEE, 3/8 TUBE
5	8820-1112	2	HEX HDCAPSCREW, 3/4-10X2-1/4, GR5, (torque to 240-265 ft lbs)	15	8471-7852	1	HOSE ASSY
6	9002-7473	2	LOCK WASHER, 3/4	16	8859-1207	2	O-RING
7	8866-2011	1	CONNECTOR, (includes item 22)	17	9105-3020	2	TEST COUPLING
8	9108-3246	1	HOSE	18	8471-7839	1	HOSE ASSY
9	8063-3030	2	BAND CLAMP	19	8866-2084	1	ELBOW, 45 DEGREES, (includes item 23)
				* 20	9134-4048	1	PUMP MOUNT PLATE
				* 21	9108-4312	1	COUPLING ASSY, (bolts included)
				22	8859-1210	1	O-RING
				23	8859-1204	1	O-RING



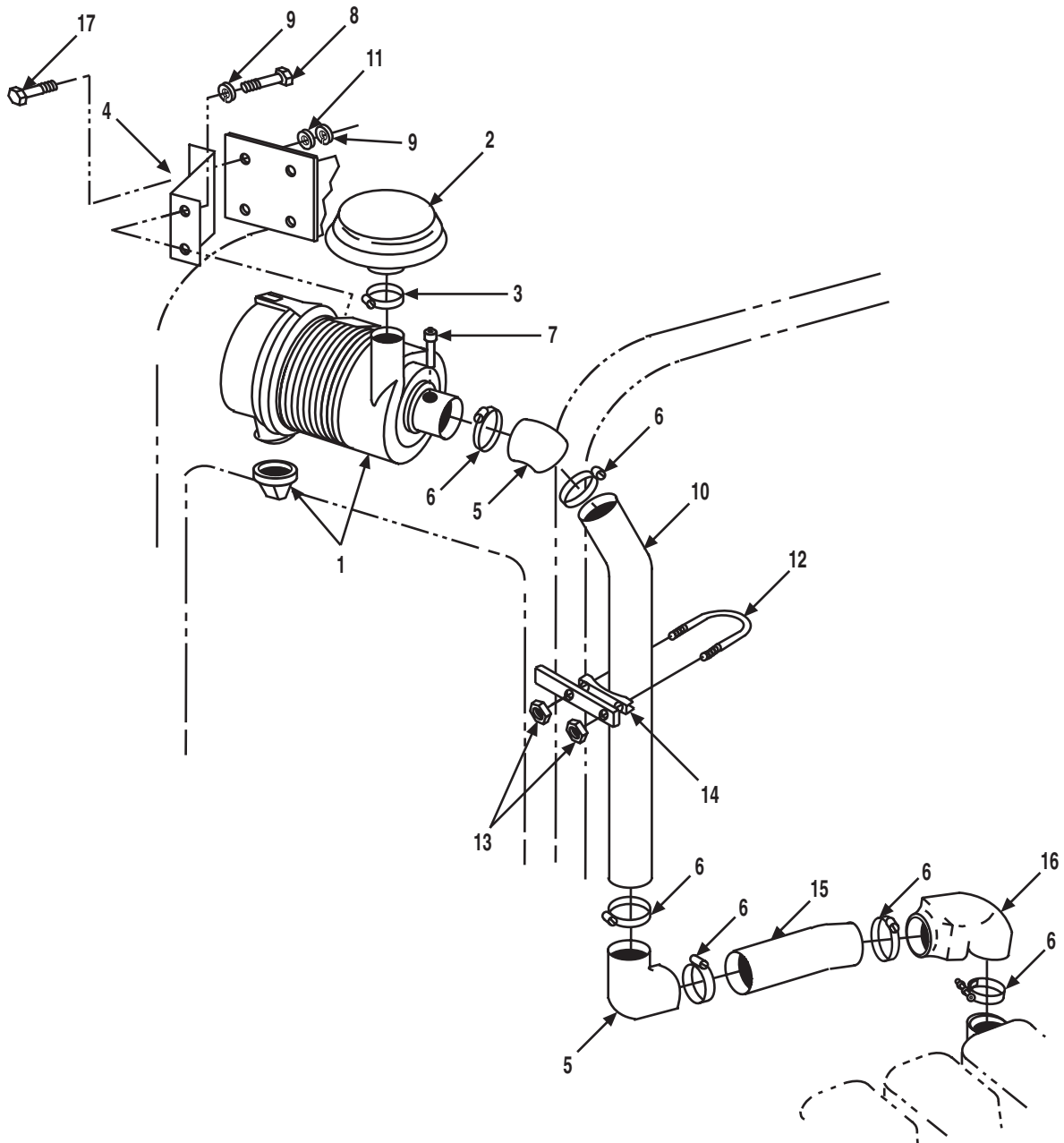
Item	Part No.	Qty.	Description Of Part	Item	Part No.	Qty.	Description Of Part
	9138-5020	Ref	ENGINE ASSEMBLY, (includes all items on page 5-1 except 52 thru 58; includes items 1 thru 55 on page 5-2, and all items on page 5-3)	11	9108-3222	1	STR THD REDUCER CONNECTOR, 90 DEGREE, (includes item 18)
1	9108-3019	1	PUMP MT. & FLYWHEEL COUPLING, (includes items 22 and 23)	12	9002-7906	2	ELBOW, 90 DEGREES
2		Ref	HYDROSTATIC TRANS. PUMP, (see page 10-14 for details)	13	9105-3020	2	TEST COUPLING
3	8821-1068	8	SOCKET HD CAPSCREW, 3/8-16X5/8, GR8, (torque to 40-45 ft lbs)	14	8866-2242	1	SWIVEL NUT RUN TEE, 3/4 TUBE
4	8855-1011	8	LOCKWASHER, 3/8	15	8365-1133	1	REDUCER WITH ADAPTOR
5	8820-1112	2	HEX HD CAPSCREW, 3/4-10X2-1/4, GR5, (torque to 240-265 ft lbs)	16	8471-7839	1	HOSE ASSEMBLY
6	9002-7473	2	LOCK WASHER, 3/4	17	8866-2084	1	ELBOW, 45 DEGREES, (includes item 25)
7	8866-2011	1	CONNECTOR, (includes item 24)	18	8859-1207	2	O-RING
8	9108-3536	1	INTAKE TUBE	19	8866-2008	1	CONNECTOR, (includes item 18)
9	9108-3246	1	HOSE	20	8866-2239	1	SWIVEL NUT RUN TEE, 3/8 TUBE
10	8063-3030	2	BAND CLAMP	21	8866-2105	1	ELBOW, 90 DEGREE, (swivel nut)
				* 22	9134-4048	1	PUMP MOUNT PLATE
				* 23	9108-4312	1	COUPLING ASSY, (bolts included)
				24	8859-1210	1	O-RING
				25	8859-1204	1	O-RING



Item	Part No.	Qty.	Description Of Part	Item	Part No.	Qty.	Description Of Part
	9115-5016	1	FUEL TANK ASSY, (includes items 1 thru 6)	10		Ref	FUEL LINE HOSE, 5/16" I.D., (see page 5-1 for details)
1	9115-3031	1	FUEL TANK, (includes items 2 & 3)	11	9002-8660	1	SUPPORT CLAMP
2	8654-1381	1	FUEL TANK CAP, (w/chain)	12	9112-3124	1	WHIZ-LOK SCREW, 5/16-18X1/2
3	8871-1283	1	HEX SOCKET PIPE PLUG, 1/2	13	8820-1095	4	HEX HDC CAPSCREW, 5/8-11X1-1/2, GR5
4	8471-2746	2	HOSE NIPPLE, 90 DEGREES, 1/2X3/8	14	8856-1008	4	FLAT WASHER, 5/8
5	9114-3316	1	FUEL SENDER	15	8855-1015	4	LOCKWASHER, 5/8
6	9108-3491	5	GASKETED SCREW, 10-32	16	8668-3122	2	TIEWRAP
7	8688-3106	2	HOSE CLAMP				
8	7149-2142	20"	FLEX LOOM				
9		Ref	FUEL FILTER, (see page 5-1 for details)				

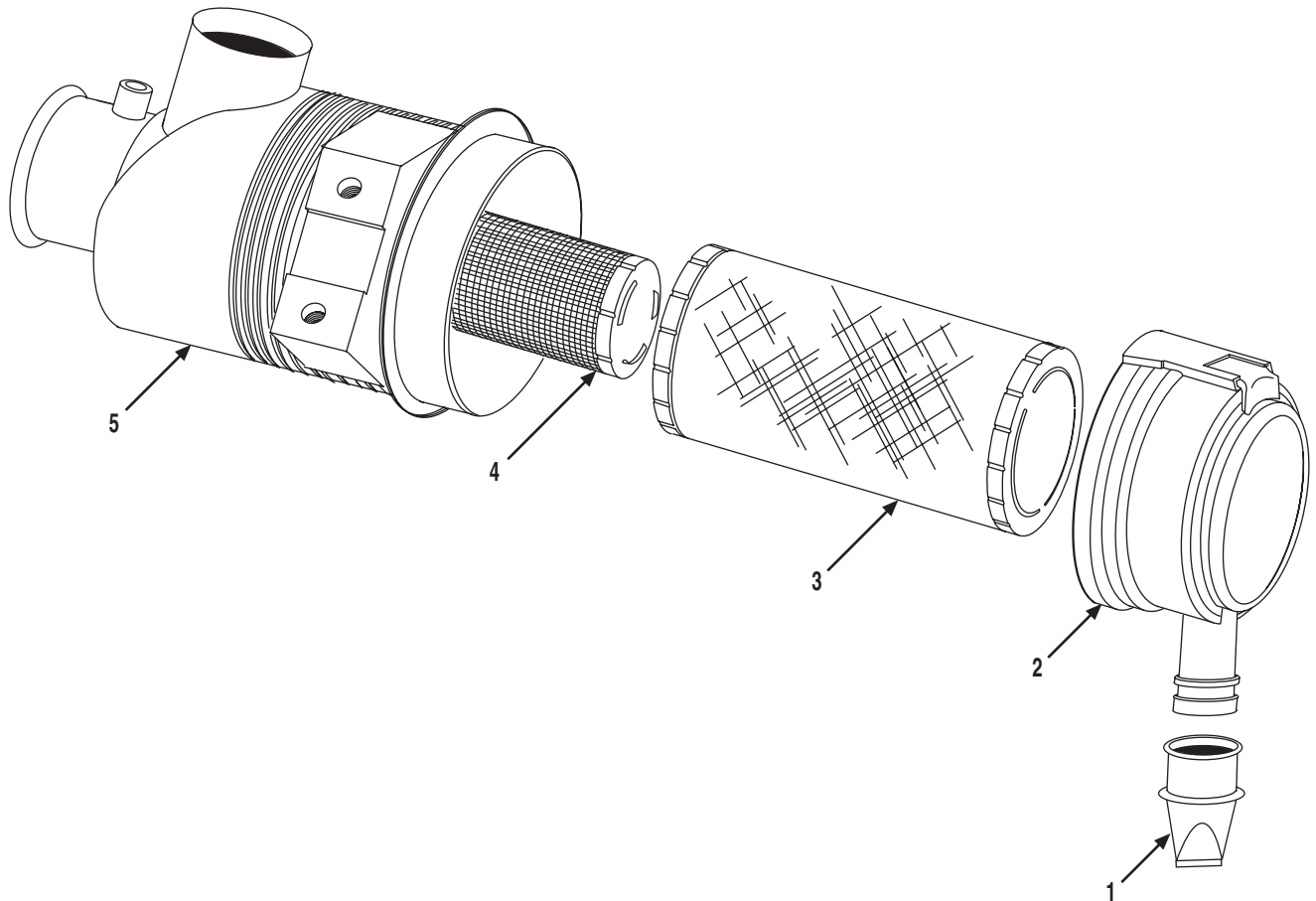


Item	Part No.	Qty.	Description Of Part	Item	Part No.	Qty.	Description Of Part
	9108-5139	Ref	RADIATOR ASSEMBLY, (includes items 1, 2, 3, one of item 4, 5 thru 8, 12, 13, 14, 18, one of item 19, 20, 21 & 33 thru 36)	17	7714-3006	10	WHIZ LOCKNUT, 5/16-18
1	9114-3269	1	RADIATOR, (includes item 2)	18	9108-3573	1	OIL COOLER
2	9108-4198	1	RADIATOR CAP, 16 PSI	19	8688-3327	2	HOSE CLAMP
3	9108-3094	1	UPPER RADIATOR HOSE	20	9108-1541	1	MOUNTING BRACKET
4	8507-1128	2	HOSE CLAMP	21	9108-3085	1	RADIATOR SHROUD
5	9108-3364	1	LOWER RADIATOR HOSE	22	9108-6174	1	RADIATOR MOUNT
6	8820-1016	16	HEX HDC CAPSCREW, 5/16-18X1/2, GR5	23	8856-1006	4	FLAT WASHER, 1/2
7	8856-1003	16	FLAT WASHER, 5/16	24	8855-1013	4	LOCKWASHER, 1/2
8	8855-1010	16	LOCKWASHER, 5/16	25	8820-1067	4	HEX HDC CAPSCREW, 1/2-13X1-1/2, GR5
9	8368-3308	2	SHOCK MOUNT	26	9130-1086	1	FLAT BAR
10	9020-5918	2	WASHER	27	9112-3168	1	DUST SHIELD
11	8852-1206	2	HEX LOCKNUT, 3/8-16	28	8856-1003	4	WASHER
12	8452-1056	1	DRAIN COCK	29	8820-1021	4	HEX HDC CAPSCREW, 5/16-18X1-1/4, GR5
13	8471-9109	1	HOSE ASSY	30	8820-1020	2	HEX HDC CAPSCREW, 5/16-18X1, GR5
14	9108-1181	1	MOUNTING BRACKET	31	9108-3533	2	FENDER WASHER
15	9103-3137	2	SHOCK MOUNT	32	9108-1654	2	BAR
16	8866-1408	1	NUT	33	9003-0271	1	HOSE END FITTING, 5/16
				34	8866-2227	1	SWIVEL NUT BRANCH TEE, 3/4 TUBE
				35	8866-1345	1	REDUCER ADAPTER

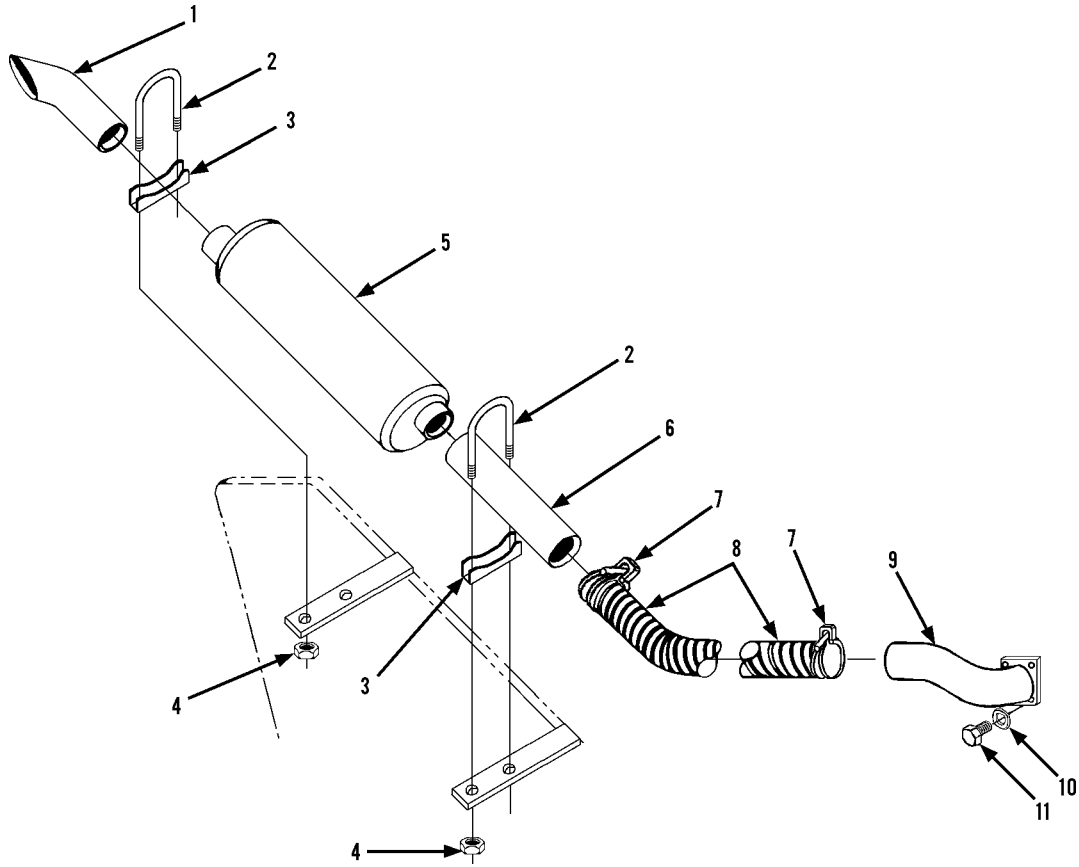


Item	Part No.	Qty.	Description Of Part
1		Ref	7" AIR CLEANER, VINYL HOUSING, (see page 5-7 for details)
2	9140-3512	1	AIR INLET HOOD, (includes item 3)
3		1	CLAMP
4	9148-1005	1	AIR CLEANER SUPPORT
5	9108-3128	2	ELBOW, 90 DEGREE
6	9116-3129	6	BANDCLAMP
7	8367-1475	1	SERVICE INDICATOR
8	8319-1028	2	HEX HD CAPSCREW, M8X1-1/4X25, GR8
9	8855-1010	4	LOCKWASHER, 5/16
10	9148-3015	1	UPPER INTAKE TUBE
11	8856-1003	2	FLAT WASHER, 5/16

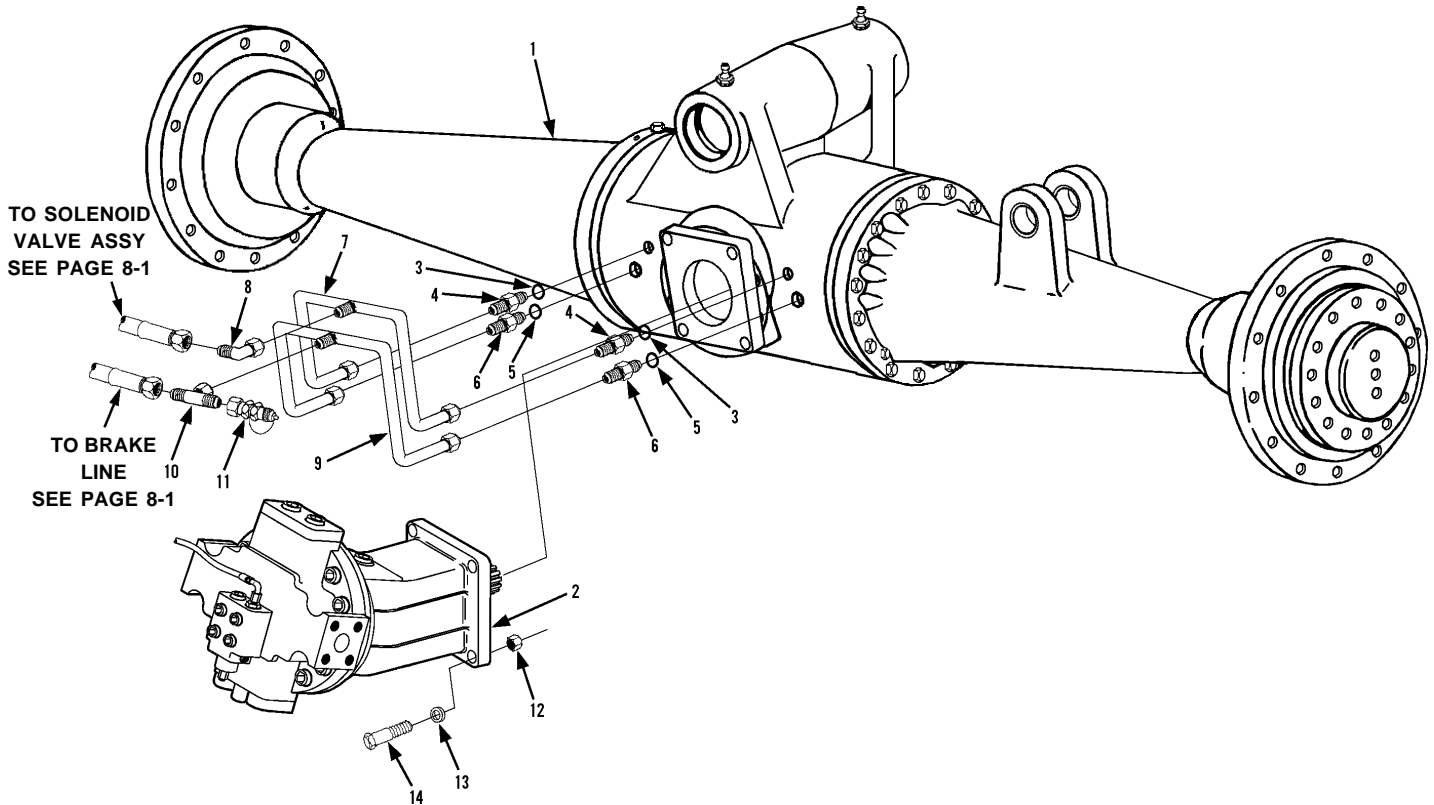
Item	Part No.	Qty.	Description Of Part
12	2492-1332	1	MUFFLER CLAMP, (includes items 13 and 14)
13		2	NUT
14		1	BRIDGE
15	9108-3124	1	AIR INTAKE TUBE
16	9108-3126	1	AIR INTAKE ELBOW, 90 DEGREE
17	8820-1018	2	HEX HD CAPSCREW, 5/16-18X3/4, GR5
			NOTE: ONLY ITEMS WITH PART NUMBERS ARE AVAILABLE FOR SERVICE.



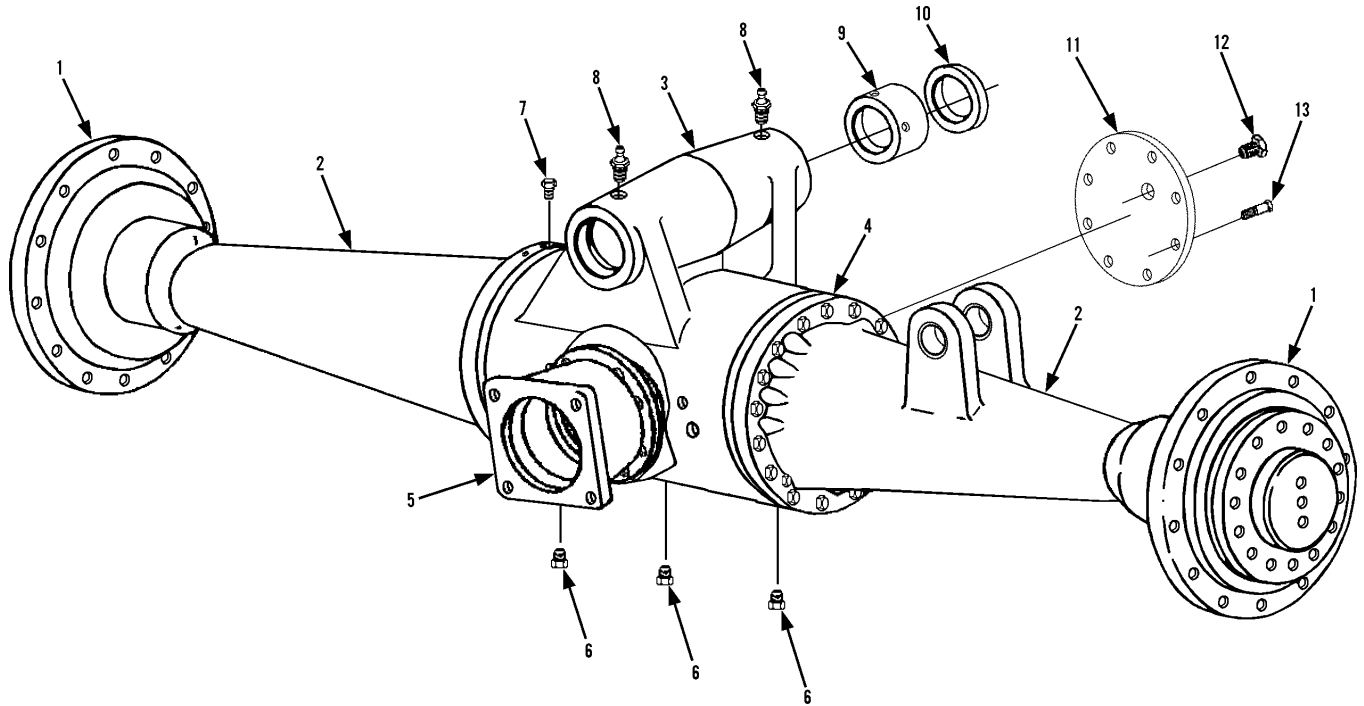
Item	Part No.	Qty.	Description Of Part
	9138-3065	1	7" AIR CLEANER, (includes all items)
1	8027-4006	1	VACUATOR VALVE
2	9138-4010	1	COVER ASSEMBLY
3	9140-3102	1	FILTER ELEMENT
4	9140-3103	1	SAFETY ELEMENT
5		1	BODY, VINYL HOUSING, (not sold separately order P/N 9138-3065)
			NOTE: ONLY ITEMS WITH PART NUMBERS ARE AVAILABLE FOR SERVICE.



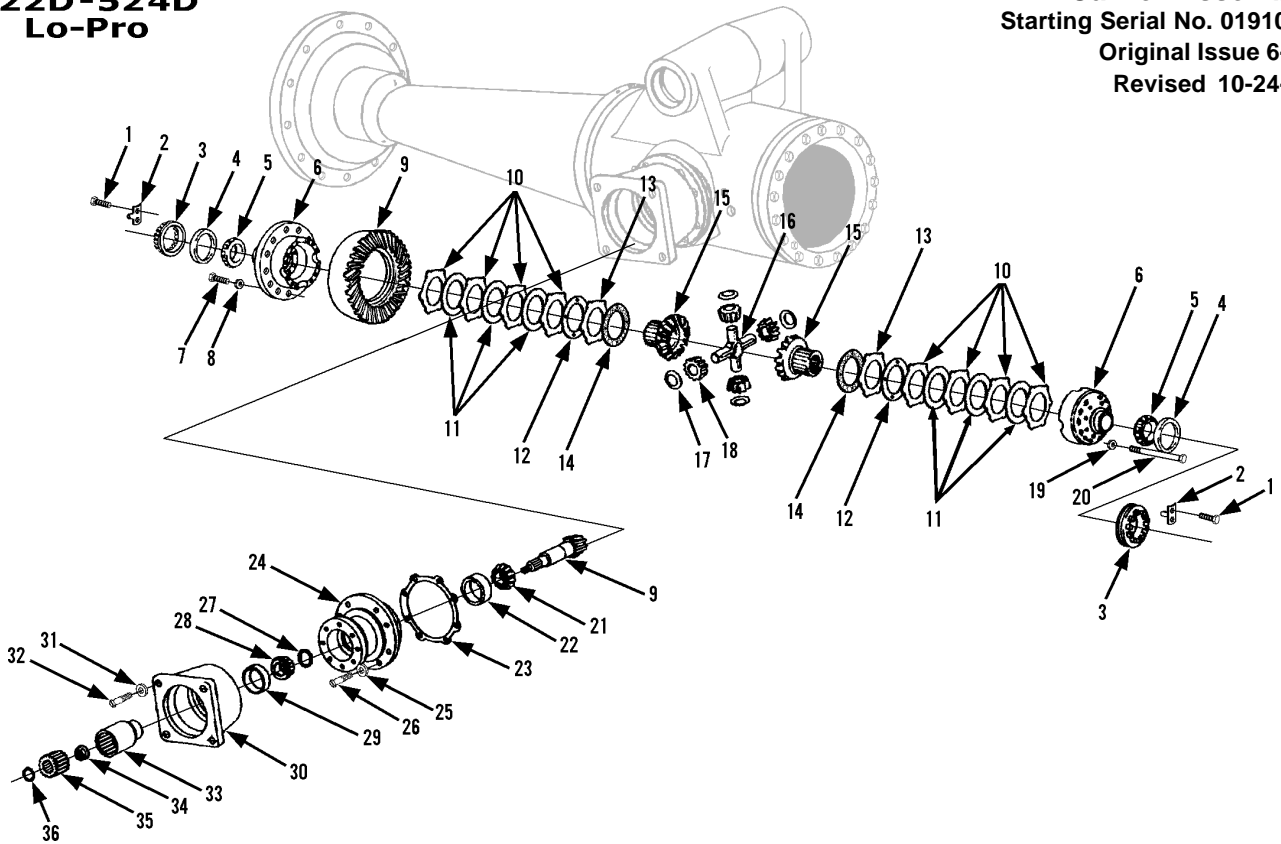
Item	Part No.	Qty.	Description Of Part
1	9108-3560	1	TAIL PIPE
2	8368-3175	2	MUFFLER CLAMP, (includes items 3 & 4)
3		2	BRIDGE
4		4	NUT
5	9108-3250	1	MUFFLER
6	9148-3011	1	EXHAUST PIPE
7	9116-3268	2	FLEX PIPE CLAMP
8	9148-3041	1	FLEXIBLE TUBING
9	9108-6055	1	EXHAUST TUBE
10	8319-1013	4	LOCKWASHER, M10
11	8319-1021	4	HEX HD CAPSCREW, M10X1.5X30
			NOTE: ONLY ITEMS WITH PART NUMBERS ARE AVAILABLE FOR SERVICE.



Item	Part No.	Qty.	Description Of Part	Item	Part No.	Qty.	Description Of Part
1	9148-5018	1	FRONT AXLE ASSEMBLY, (includes items 1 thru 14)	8	8866-2106	1	ELBOW, 90 DEGREES, (swivel nut)
		Ref	FRONT AXLE, (see page 6-2 for details)	9	9112-3127	1	SERVICE BRAKE TUBE LINE
2		Ref	FRONT DRIVE MOTOR, (see page 10-15 for details)	10	8866-2224	1	SWIVEL NUT BRANCH TEE, 3/8 TUBE
3	8859-1205	2	O-RING	11	9114-3172	1	TEST FITTING
4	8866-2006	2	CONNECTOR, (includes item 3)	12	7738-3580	4	HIGH NUT, 3/4-16, (torque nuts to 265-290 ft. lbs.)
5	8859-1204	2	O-RING	13	9002-7473	4	HARD WASHER, 3/4
6	8866-2005	2	CONNECTOR, (includes item 5)	14	8820-1616	4	HEX HD CAPSCREW, 3/4-16X3-1/2, GR5
7	9112-3130	1	PARK BRAKE TUBE LINE				

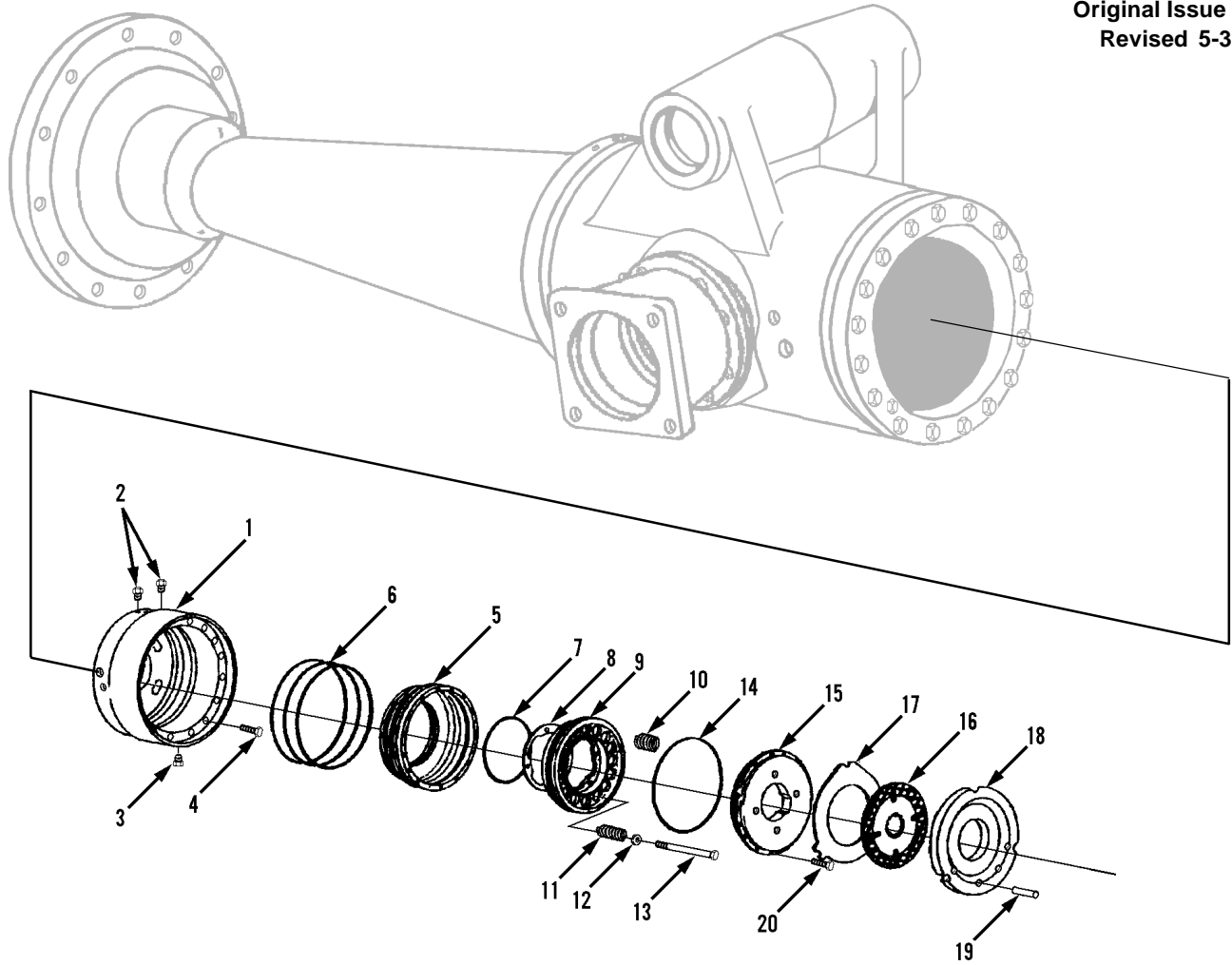


Item	Part No.	Qty.	Description Of Part
	9112-3119	1	FRONT AXLE, (includes all items on pages 6-2, 6-3, 6-4 & 6-5)
1		Ref	WHEEL FLANGE ASSY, (see page 6-5 for details)
2		Ref	LEFT & RIGHT HOUSING ASSY, (see page 6-5 for details)
3	9114-4326	1	CENTER HOUSING ASSY, (includes item 9)
4		Ref	BRAKE ASSY, (see page 6-4 for details)
5		Ref	CARRIER ASSY, (see page 6-3 for details)
6	9114-4327	3	DRAIN PLUG
7	9114-4328	1	VENT PLUG
8	9114-4329	2	LUBE FITTING
9	9108-4046	2	BUSHING
10	9108-4047	2	TRUNNION OIL SEAL
11	9114-1511	1	COVER
12	8871-1284	1	LEVEL PLUG
13	9114-4332	8	CAPSCREW, M8X1.25x16.0

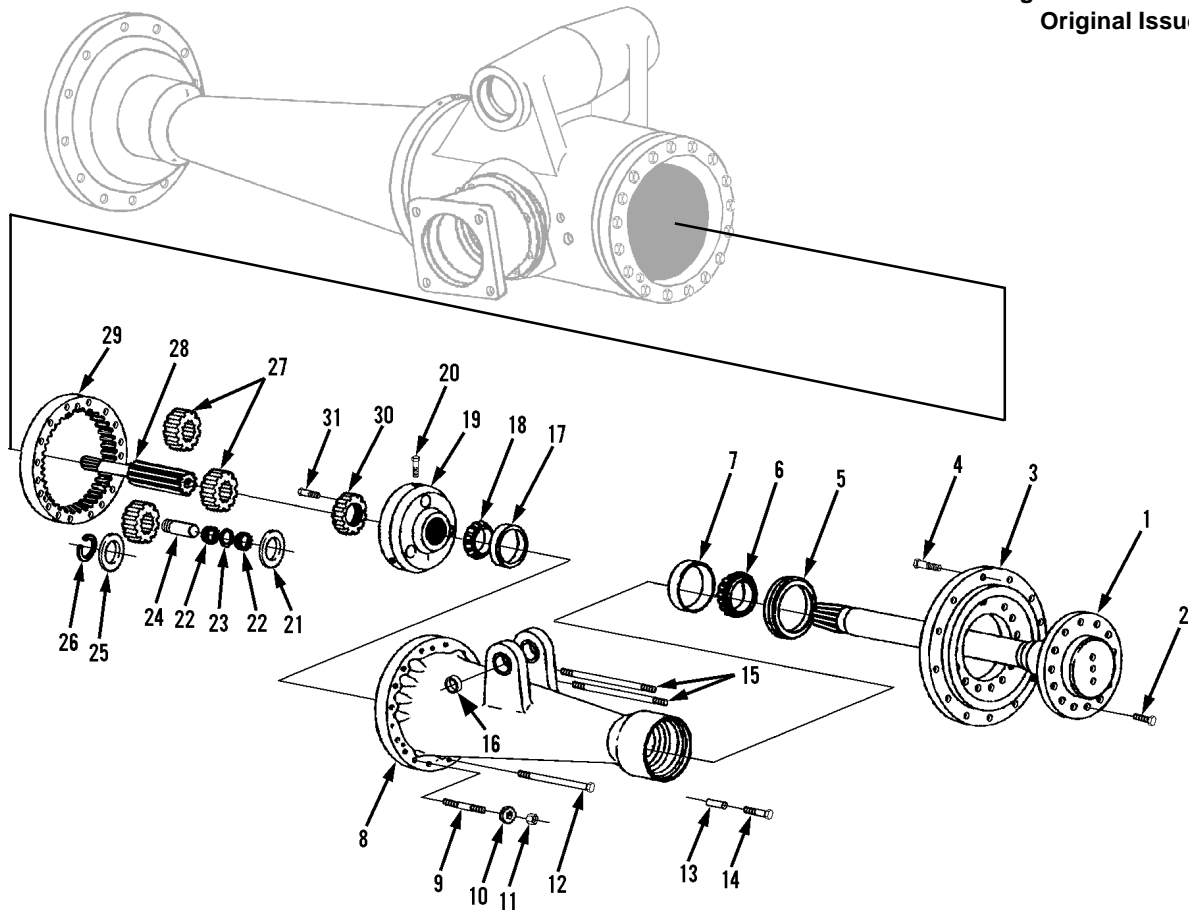


Item	Part No.	Qty.	Description Of Part	Item	Part No.	Qty.	Description Of Part
	9114-4382	Ref	LIMITED SLIP PLATE STACKKIT, (includes items 10, 11, 12, 13 & 14)	19	8348-3584	12	WASHER
	9114-4383	Ref	PINION CAGE SHIM KIT, (includes item 23)	20	9114-4397	12	CAPSCREW, M10X1.5x80.0
	9114-4384	Ref	DRIVE PINION SHIM KIT, (includes item 27)	21	9020-7204	1	BEARING CONE
	9114-4385	Ref	LIMITED SLIP SHIM KIT, (includes item 12)	22	9020-0440	1	BEARING CUP
1	9114-4386	4	CAPSCREW	23		4	SHIM, (0.05), (included in shim kit)
2	9114-4387	2	ADJUSTER RING LOCK			2	SHIM, (0.125), (included in shim kit)
3	9114-4388	2	ADJUSTER RING			3	SHIM, (0.20), (included in shim kit)
4	8307-3828	2	BEARING CUP			1	SHIM, (0.50), (included in shim kit)
5	9114-4389	2	BEARING CONE	24	9114-4398	1	PINION CAGE ASSY, (includes items 22 & 29)
* 6	9114-4390	1	DIFFERENTIAL CASE	25	9114-4399	8	WASHER
7	9114-4391	12	CAPSCREW, M10X1.0x30.0	26	9114-4400	8	CAPSCREW, M12X1.75X40.0
8	8348-3584	12	WASHER	27		1	SHIM, (1.20), (included in shim kit)
9	9114-4392	1	SPIRAL GEAR & PINION			1	SHIM, (1.25), (included in shim kit)
10		8	DRIVE FRICTION DISC, (included in 9114-4382 kit)			1	SHIM, (1.30), (included in shim kit)
11		6	DRIVEN FRICTION DISC, (included 9114-4382 kit)			1	SHIM, (1.35), (included in shim kit)
12		2	SHIM, (0.33), (included in shim kit)			1	SHIM, (1.40), (included in shim kit)
		2	SHIM, (0.38), (included in shim kit)			1	SHIM, (1.45), (included in shim kit)
		2	SHIM, (0.25), (included in shim kit)	28	9114-4401	1	BEARING CONE
		2	SHIM, (0.13), (included in shim kit)	29	9114-4402	1	BEARING CUP
13		2	COMPRESSION DISC, (included in 9114-4382 kit)	30	9114-4403	1	MOTOR ADAPTER FLANGE
14		2	THRUSTWASHER, (included in 9114-4382 kit)	31	8348-3584	8	WASHER
15	9114-4393	2	SIDE GEAR	32	9114-4404	8	CAPSCREW, .3750-16UNC-2AX1.25
16	9114-4394	1	SPIDER	33	9114-4405	1	DRIVEN SLEEVE
17	9114-4395	4	THRUSTWASHER	34	9114-4406	1	PINION NUT, M24X1.5
18	9114-4396	4	PINION GEAR	35	9114-4407	1	DRIVE SLEEVE
				36	9114-4408	1	SNAP RING

NOTE: ONLY ITEMS WITH PART NUMBERS ARE AVAILABLE FOR SERVICE.

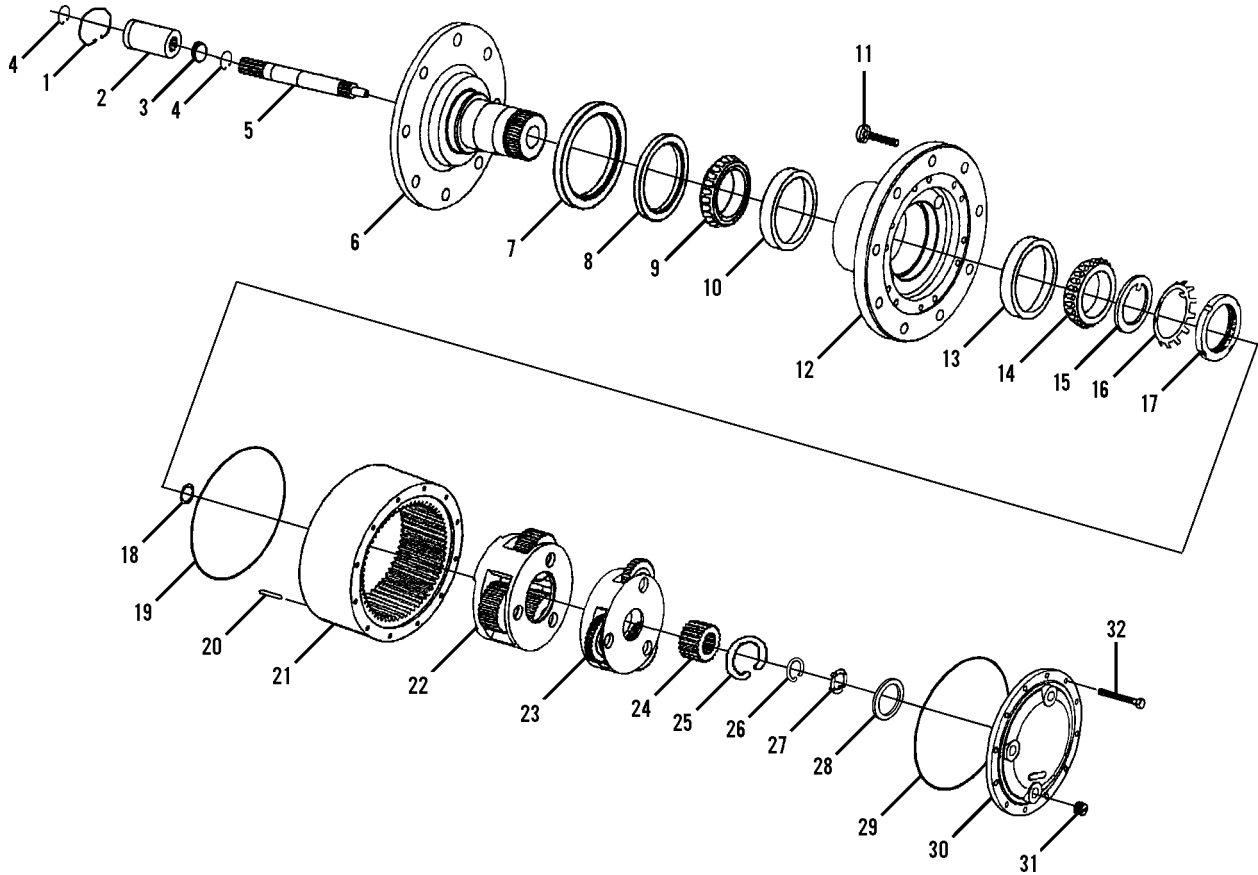


Item	Part No.	Qty.	Description Of Part	Item	Part No.	Qty.	Description Of Part
*	9114-4442	Ref	BRAKE SEAL KIT, (includes items 6, 7, & 14), (services both sides)			8	SHIM, (0.125), (included in shim kit)
*	9114-4369	Ref	BRAKE PISTON PLATE KIT, (includes items 15, 16, 17 & 18), (services one side)			8	SHIM, (0.255), (included in shim kit)
*	9114-4370	Ref	BRAKE PLATE & SEAL KIT, (includes items 6, 7, 14, 15, 16, 17 & 18), (services one side)			8	SHIM, (0.555), (included in shim kit)
*	9114-4371	Ref	PISTON BRAKE SHIM KIT, (includes item 8), (services one side)	9	9114-4376	2	BRAKE PISTON
1	9114-4372	1	BRAKE HOUSING, (right side only - left side included in center housing)	10	9114-4377	24	SPRING
2	9114-4373	4	HYDRAULIC LINE BLEEDER	11	9114-4378	16	SPRING
3		Ref	DRAIN PLUG, (see page 6-2 for details)	12	8688-1421	16	WASHER
4	9114-4374	3	CAPSCREW - RIGHT SIDE ONLY, M8X1.25X40.0	13	9114-4379	16	RETURN SPRING BOLT
5	9112-4094	2	BRAKE PISTON & PLATE ASSY, (includes items 6, 7, 9, 10, 14, 15, & 20)	14		2	O-RING
6		6	O-RING	15		2	BRAKE ACTUATING PLATE
7		2	O-RING	16		8	FRICTION DISC
8		8	SHIM, (0.075), (included in shim kit)	17		8	STATIONARY DISC
				18		2	BRAKE REACTION PLATE
				19	9114-4380	6	BRAKE DISC LOCKPIN
				20	9114-4381	42	CAPSCREW, M6X1.0X12.0, (allen)
							NOTE: QUANTITIES SHOWN ARE FOR BOTH SIDES.
							NOTE: ONLY ITEMS WITH PART NUMBERS ARE AVAILABLE FOR SERVICE.



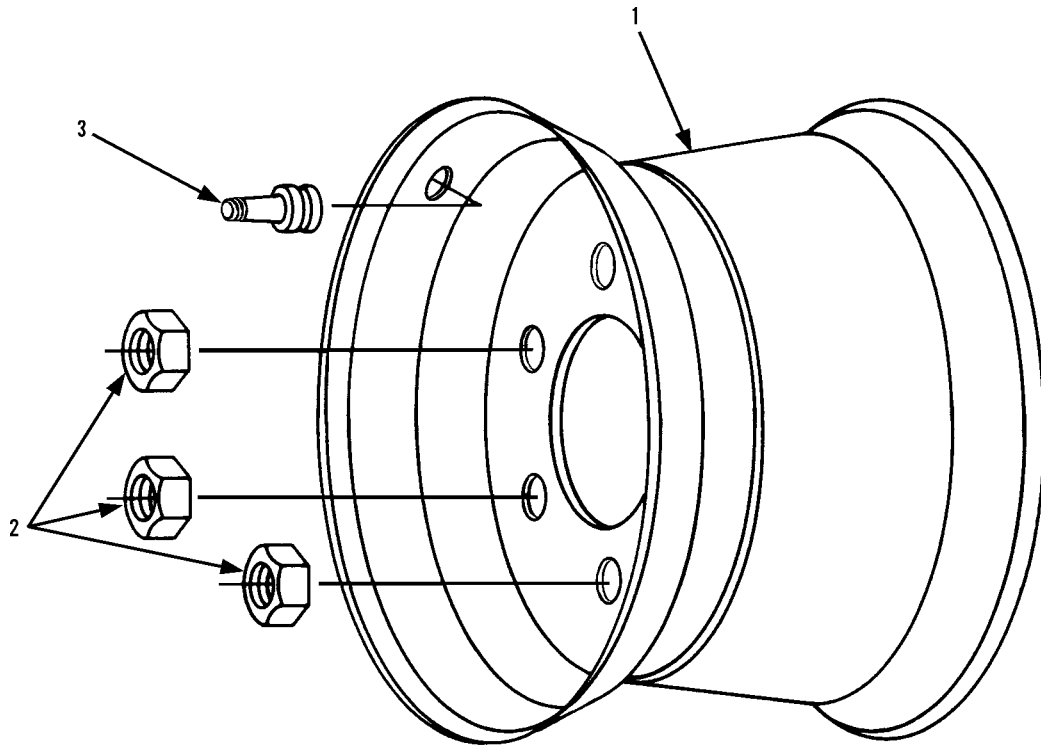
Item	Part No.	Qty.	Description Of Part	Item	Part No.	Qty.	Description Of Part
1	9114-4333	2	AXLE SHAFT ASSY, (includes items 2, 3, 4, 5 & 7)	14	9114-4348	4	CAPSCREW - USE W/26mm SPACER, M14x1.5X85, (position at 7 & 5 o'clock)
2	9114-4334	28	CAPSCREW, M20X1.5X50.0		9114-4349	2	CAPSCREW - USE W/19mm SPACER, M14x1.5X78, (position at 12 o'clock)
3	9114-4335	2	WHEEL FLANGE ASSY, (includes item 4)	15	9114-4350	2	STUD - RIGHT SIDE, M14X1.5X232.0
4	9020-3543	24	WHEEL BOLT	16	9114-4351	2	STUD - LEFT SIDE, M14X1.5X112.0
5	9114-4336	2	SHAFT OIL SEAL	17	9114-4352	2	BUSHING
6	8698-4452	2	BEARING CUP	18	9114-4353	2	BEARING CONE
7	8698-4451	2	BEARING CONE	19	9114-4354	2	BEARING CUP
8	9114-4337	1	HOUSING ASSY - RIGHT SIDE, (shown), (includes items 6, 16 & 18)	20	9114-4355	2	SPIDER ASSY, (includes items 20 & 24)
	9114-4338	Ref	RING GEAR & HOUSING ASSY - RIGHT SIDE, (shown), (includes items 6, 16, 18 & 29)	21	9114-4356	6	CAPSCREW, M10X23.0
	9114-4339	1	HOUSING ASSY - LEFT SIDE, (not shown), (includes items 6, 16 & 18)	22	9114-4357	6	THRUST WASHER
	9114-4340	Ref	RING GEAR & HOUSING ASSY - LEFT SIDE, (not shown), (includes items 6, 16, 18 & 29)	23	9114-4358	6	KIT ROLLER
9	9114-4341	4	SET SCREW	24	9114-4359	6	SPACER
10	9114-4342	32	WASHER	25	9114-4360	6	PLANETARY PINION SHAFT
11	9114-4343	8	NUT, M14X1.5-6H	26	9114-4361	6	WASHER
12	9114-4344	14	CAPSCREW - RIGHT SIDE, M14X1.5X212.0	27	9114-4362	6	SNAP RING
	9114-4345	14	CAPSCREW - LEFT SIDE, M14X1.5X120.0	28	9114-4363	6	PLANETARY PINION
13	9114-4346	2	SPACER - 19mm		9114-4364	1	SUN GEAR, (287.0mm) - RIGHT SIDE, (shown)
	9114-4347	4	SPACER - 26mm		9114-4365	1	SUN GEAR, (247.0mm) - LEFT SIDE, (not shown)
				29	9114-4366	2	RING GEAR
				30	9114-4367	2	ADJUSTING NUT
				31	9114-4368	2	CAPSCREW, (adjusting nut lock)
							NOTE: QUANTITIES SHOWN ARE FOR BOTH SIDES.

**INFORMATION FOR THIS PAGE WAS
UNAVAILABLE AT THE TIME OF PUBLICATION.**

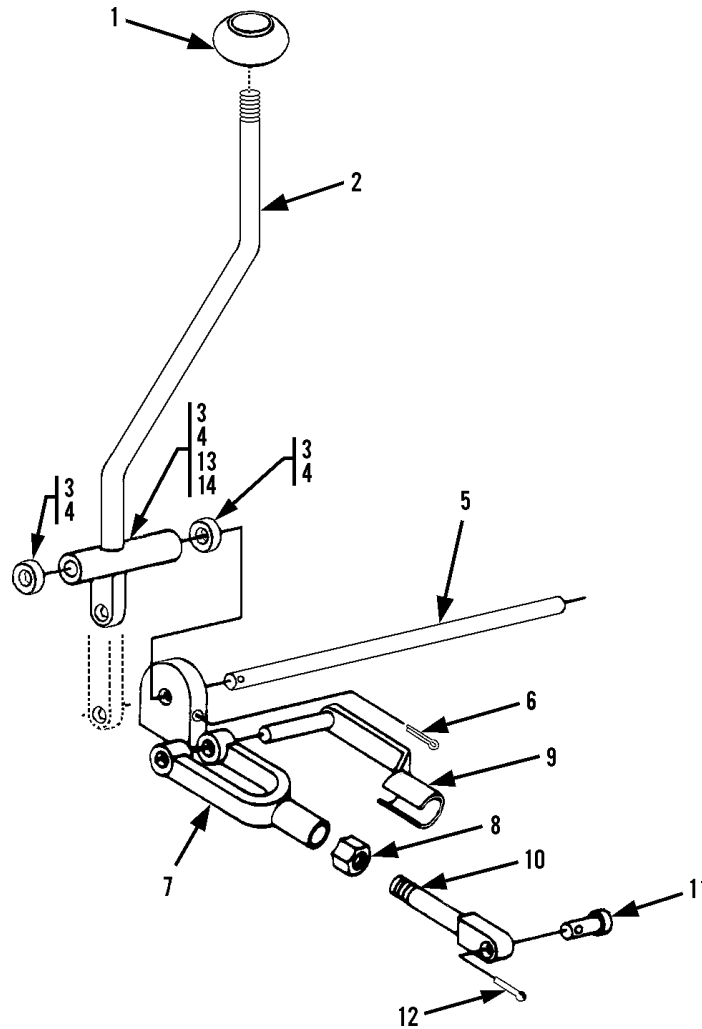


NOTE: TO SERVICE ITEM 15, BEARING NUT, A SPECIAL WRENCH IS REQUIRED. OREDR 91404449 WRENCH.

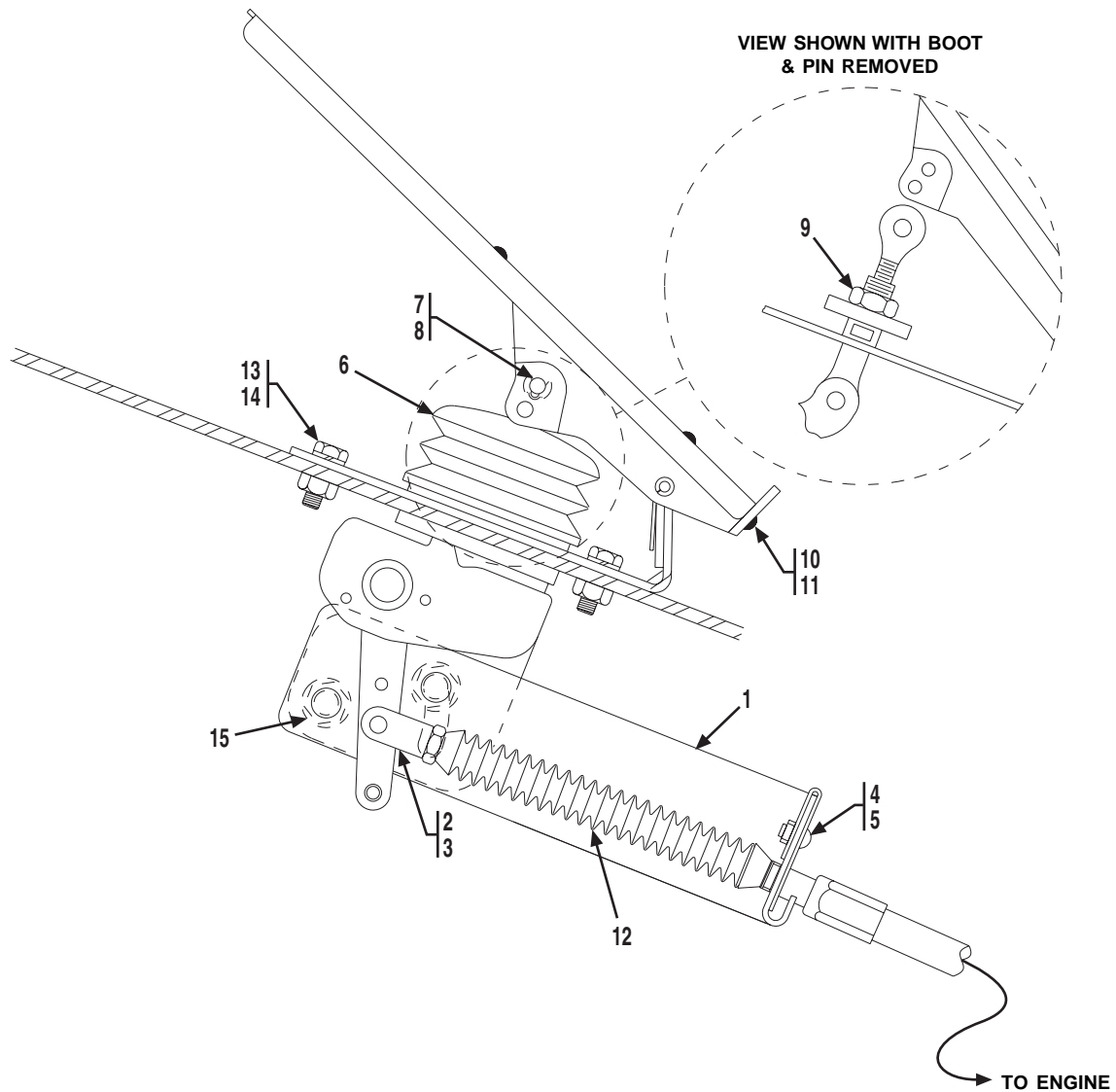
Item	Part No.	Qty.	Description Of Part	Item	Part No.	Qty.	Description Of Part
	9148-3020	1	REAR DRIVE HUB, (includes all items)	18	9141-4014	1	THRUSTWASHER
1	9020-2548	1	RETAINING RING	19	9141-4015	1	O-RING
2	9148-4006	1	COUPLING	20	7734-4055	2	DOWEL PIN
3	9148-4007	1	SPACER	21	9141-4016	1	RING GEAR
4	9148-4008	2	RETAINING RING	22	9141-4017	1	SECONDARY CARRIER ASSY
5	9148-4009	1	INPUT SHAFT	23	9141-4018	1	PRIMARY CARRIER ASSY
6	9148-4010	1	SPINDLE	24	9141-4019	1	SUN GEAR
7	9141-4004	1	BOOT SEAL	25	9141-4027	1	RETAINING RING
8	9141-4005	1	OIL SEAL	26	9141-4020	1	RETAINING RING
9	9141-4006	1	BEARING CONE	27	9141-4021	1	THRUSTWASHER
10	9141-4007	1	BEARING CUP	28	9141-4022	1	THRUSTWASHER
11	9103-4028	12	WHEEL BOLT	*29	7024177	1	O-RING
12	9141-4008	1	HUB	30	9141-4024	1	COVER
13	9141-4009	1	BEARING CUP	31	9141-4025	3	MAGNETIC PIPE PLUG
14	9141-4010	1	BEARING CONE	32	9141-4026	20	HEX HD BOLT
15	9141-4011	1	THRUSTWASHER				NOTE: QUANTITIES SHOWN ARE FOR ONE HUB ASSEMBLY ONLY.
16	9141-4012	1	LOCKWASHER				
17	9141-4013	1	BEARING NUT				



Item	Part No.	Qty.	Description Of Part
	9112-5002	1	R.H. TIRE ASSEMBLY, (includes items 1, 3 & 4)
	9112-5003	1	L.H. TIRE ASSEMBLY, (includes items 1, 3 & 4)
1	9104-3298	1	WHEEL
2	9104-3146	12	LUG NUT
3	9108-3385	1	VALVE
4	9103-3104	1	TUBE, (not illustrated)

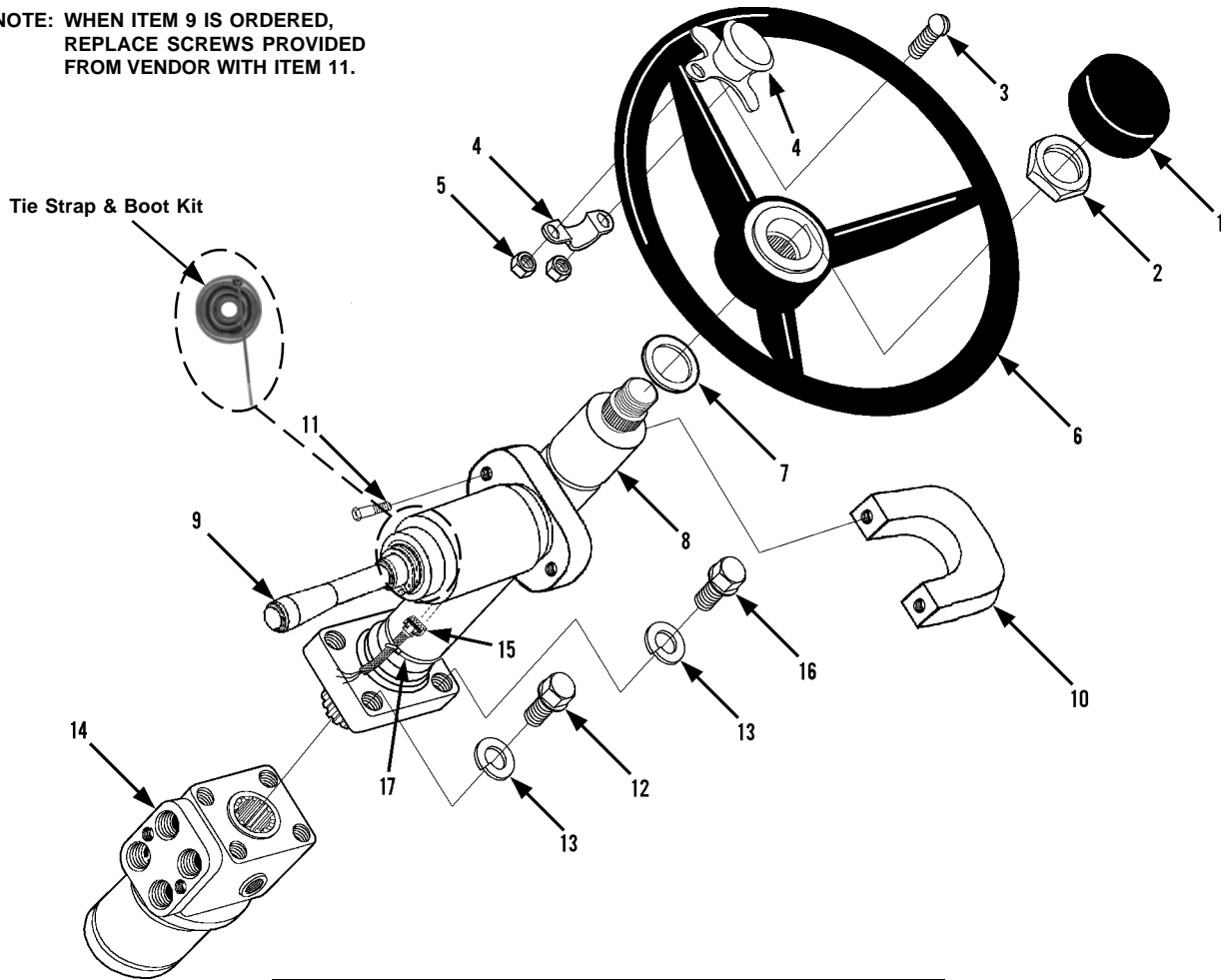


Item	Part No.	Qty.	Description Of Part
	9138-5009	1	TILT LEVER ASSEMBLY, (includes items 1, 2 and 13)
1	9020-0638	1	KNOB
2	9138-6007	1	TILT LEVER WELDMENT
3	9002-8662	3	WAVE BEND WASHER
4	8856-1113	9	FLAT WASHER, 5/8
5	9108-1354	1	SHAFT
6	8863-1338	1	COTTER PIN, 3/16X1-3/4
7	8882-1004	1	YOKE END
8	8850-1406	1	HEX JAM NUT, 3/8-24
9	9002-7987	1	SPRING CLEVIS
10	9108-6081	1	ROD LINKAGE
11	9002-1552	1	CLEVIS PIN
12	9136-3036	1	HITCH PIN CLIP
13	9108-3136	2	BUSHING
14	9130-1020	1	SPACER



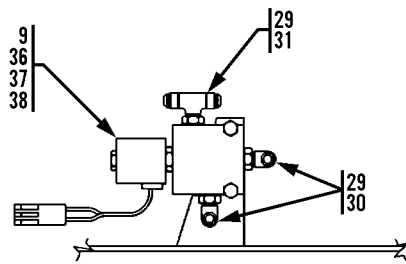
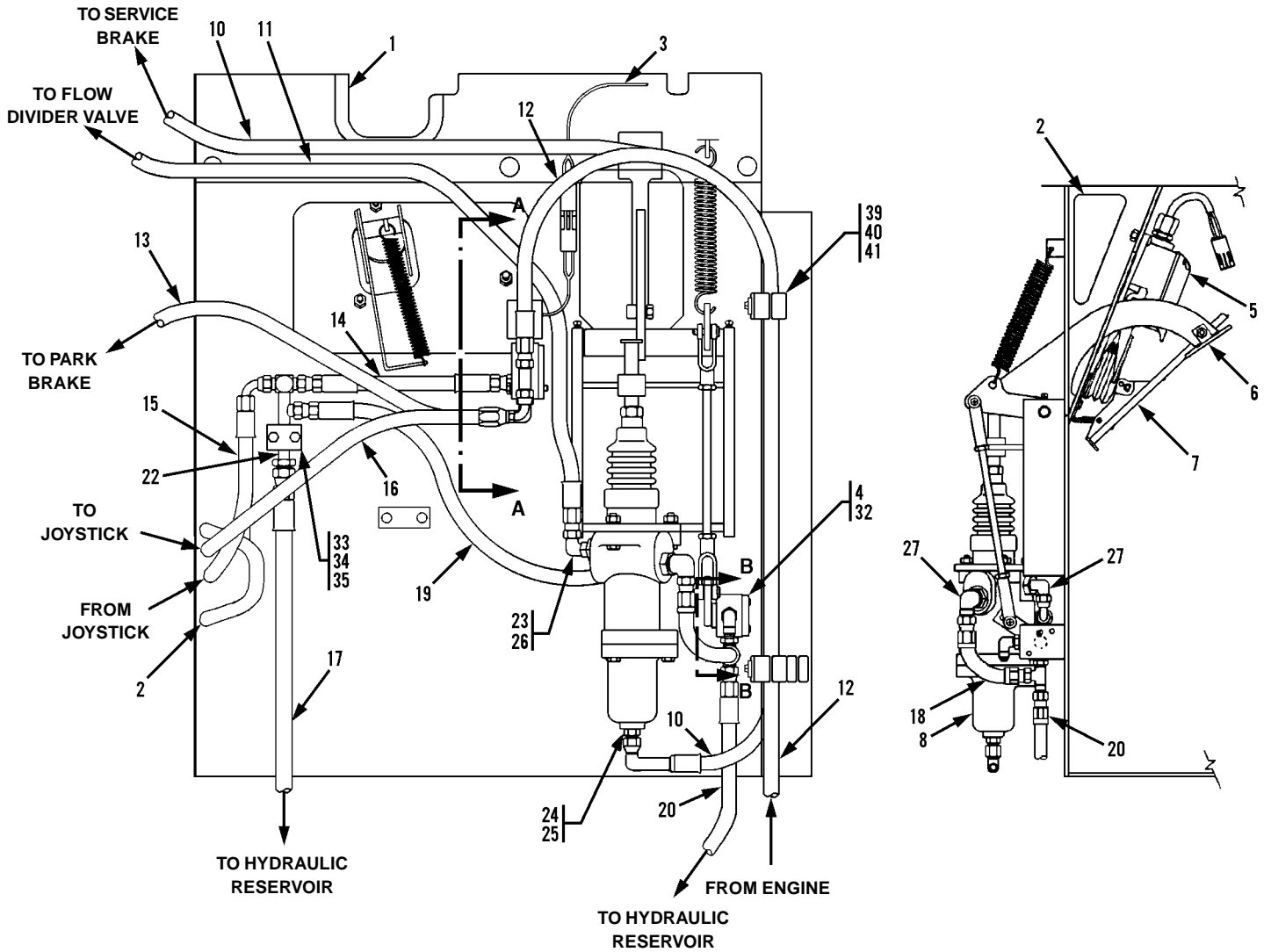
Item	Part No.	Qty.	Description Of Part	Item	Part No.	Qty.	Description Of Part
*	9114-3342	1	ACCELERATOR PEDAL ASSEMBLY, (includes items 1 thru 11 & 15)	7		1	PIN
*	9114-4431	1	CABLE SUPPORT BRACKET KIT, (includes items 1 & 15)	8		1	HAIRPIN COTTER
	9114-4432	1	CABLE ATTACHMENT KIT, (includes items 2 thru 5)	9		1	JAM NUT
	9114-4197	1	BOOT KIT, (includes items 6 thru 9)	10		1	HEEL REST
	9114-4433	1	HEEL REST KIT, (includes items 10 and 11)	11		2	SCREW, (self tapping)
* 1		1	CABLE SUPPORT	12		Ref	ACCELERATOR CABLE, (see page 5-1 for details)
2		1	CLEVIS	13	8820-1003	3	HEX HD CAPSCREW, 1/4-20X3/4, GR5
* 3		1	PIN	14	8855-1009	3	LOCKWASHER, 1/4
4		1	HAIRPIN COTTER, (not shown)	* 15		2	FLANGE NUT
5		1	LOCK PLATE				NOTE: ONLY ITEMS WITH PART NUMBERS ARE AVAILABLE FOR SERVICE.
6		1	BOOT				

NOTE: WHEN ITEM 9 IS ORDERED,
 REPLACE SCREWS PROVIDED
 FROM VENDOR WITH ITEM 11.

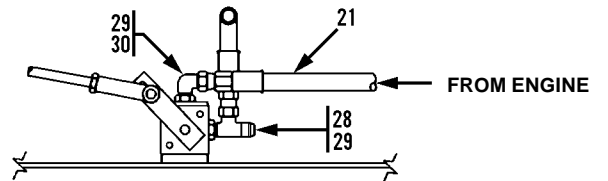


Item	Part No.	Qty.	Description Of Part
	9114-4190	Ref	STEERING CONTROL UNIT SEAL KIT
	9114-4448	1	TIE STRAP & BOOT KIT
1	9133-3043	1	STEERING WHEEL CAP
2	9114-4191	1	STEERING WHEEL NUT
3	8830-1311	2	FLAT HD MACHINE SCREW, 1/4-20X1
4	9020-2230	1	SPINNER KNOB
5	8850-1616	2	HEX NUT, 1/4-20
6	9060-0273	1	STEERING WHEEL
7	9114-4192	1	WASHER
8	9116-3012	1	STEERING COLUMN, (includes items 2 & 7)
9	9136-3025	1	F/N/R SHIFTER, (includes item 10)
10	9114-4458	1	CLAMP SET
11	8319-1059	2	SOCKET HD CAPSCREW, M5X0.8, (torque to 30-35 in. lbs.)
12	8820-1035	2	HEX HD CAPSCREW, 3/8-16X1
13	8855-1011	4	LOCKWASHER, 3/8
14	9112-3126	1	STEERING CONTROL UNIT
15		Ref	DASH WIRING HARNESS, (see page 11-3 for details)
16	8820-1033	2	HEX HD CAPSCREW, 3/8-16X3/4, GR5
17	8668-3122	1	TIEWRAP

UNDERSIDE VIEW OF FLOORPLATE

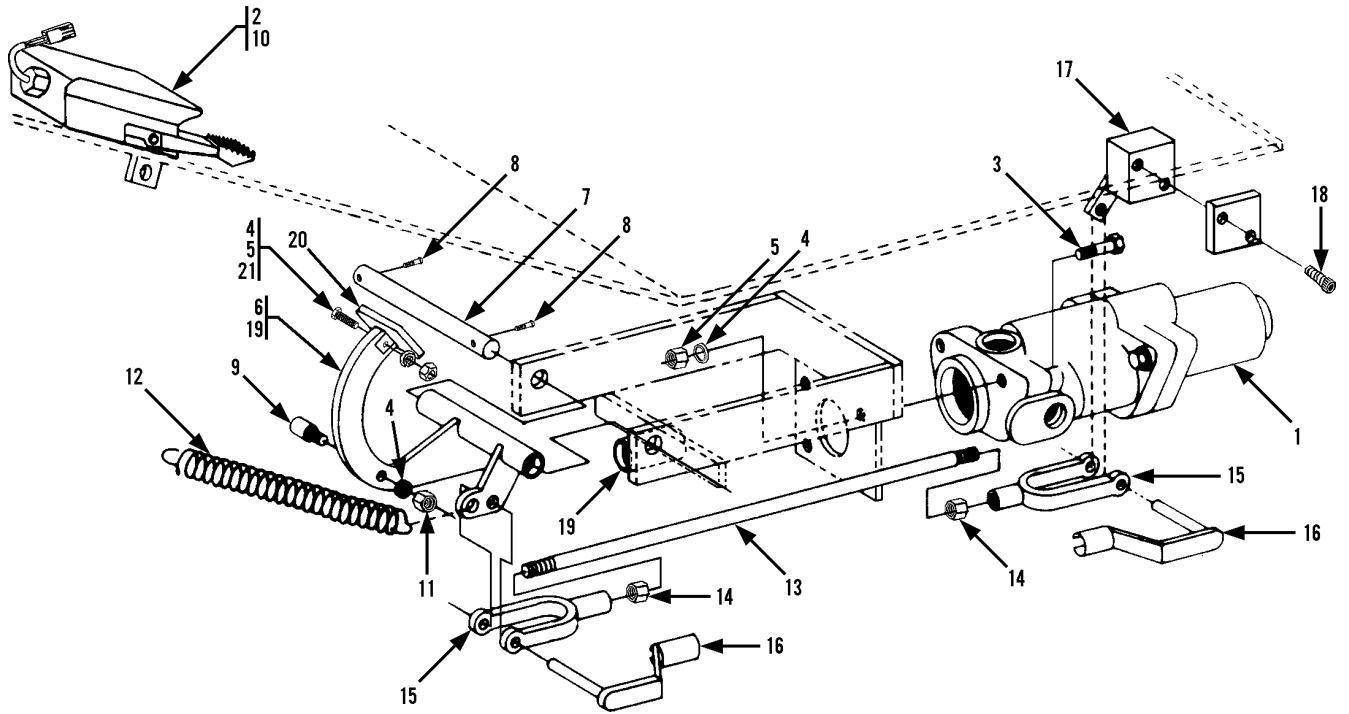


SECTION A-A

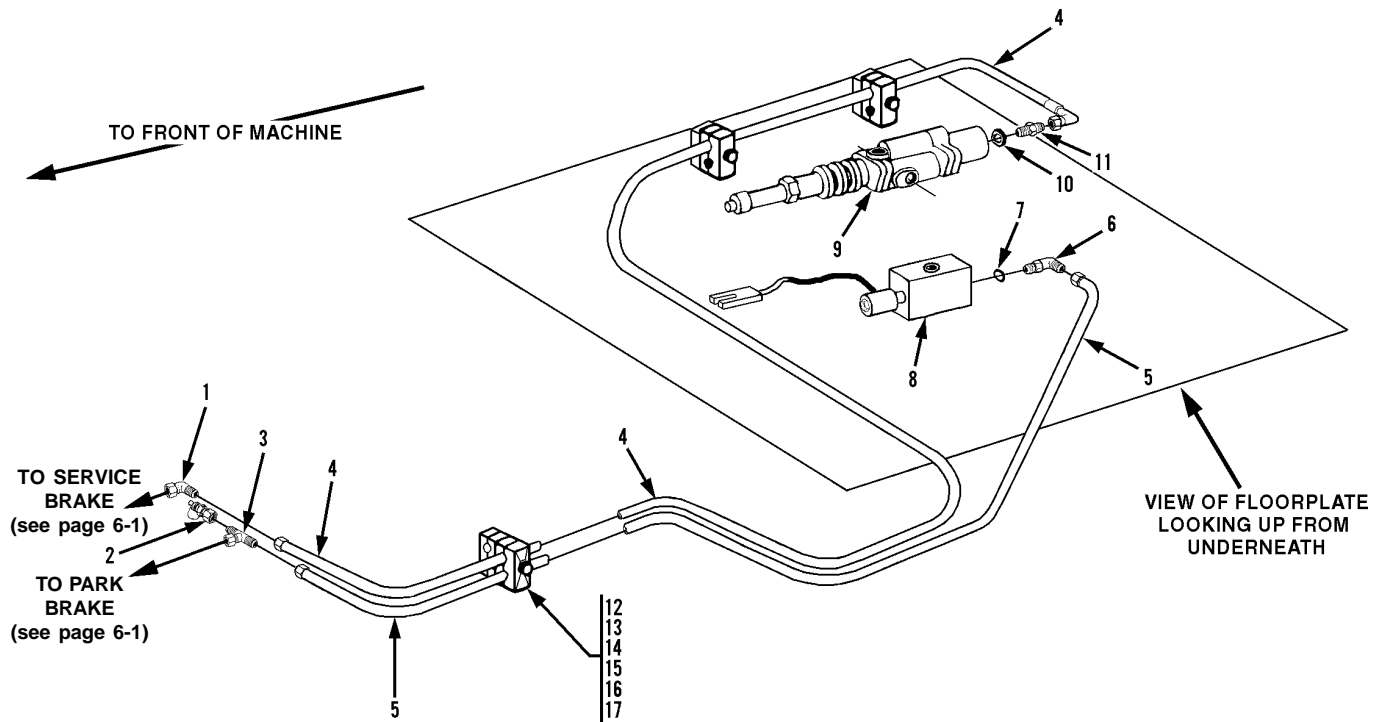


SECTION B-B

Item	Part No.	Qty.	Description Of Part	Item	Part No.	Qty.	Description Of Part
1	9020-6195	11"	TRIM-LOK, (pre-packaged in 25' lengths)	19	8471-8688	1	HOSE ASSY
2	9020-6199	59"	TRIM-LOK, (pre-packaged in 25' lengths)	20		Ref	HOSE ASSY, (see page 9-2, item 15 for details)
3		Ref	DASH HARNESS, (see page 11-3 for details)	21		Ref	HOSE ASSY, (see page 9-3 for details)
4		Ref	INCHING VALVE ASSY, (see page 10-12 for details)	22	9116-3109	1	HYDRAULIC TUBE
5		Ref	FOOT SWITCH, (see page 7-5 for details), (524D only)	23	8866-2105	1	ELBOW, 90 DEGREE, (swivel nut)
6		Ref	BRAKE PEDAL AND LINKAGE, (see page 7-5 for details)	24	8363-3002	1	STRAIGHT THREAD CONNECTOR
7		Ref	ACCELERATOR PEDAL ASSY, (see page 7-2 for details)	25	9020-7856	1	COPPER GASKET
8		Ref	BRAKE VALVE, (see page 10-10 for details)	26	9108-3306	1	STRAIGHT THREAD CONNECTOR
9		Ref	SOLENOID VALVE, (see page 10-11 for details)	27	9108-3310	2	ELBOW, 90 DEGREE
10		Ref	HOSE ASSY, (see page 8-1 for details)	28	8866-2139	1	BRANCH TEE, (includes item 29)
11	8471-7641	1	HOSE ASSY	29	8859-1204	5	O-RING
12	8471-7304	Ref	HOSE ASSY	30	8866-2064	3	ELBOW, 90 DEGREES, (includes item 29)
13		Ref	HOSE ASSY, (see page 8-1 for details)	31	8866-2152	1	BRANCH TEE, (includes item 29)
14	8471-8689	1	HOSE ASSY	32	8821-2228	2	SOCKET HD CAPSCREW, 5/16-18X1-1/4
15		Ref	HOSE ASSY, (see page 9-9 for details)	33	9103-3138	1	TUBE CLAMP
16		Ref	HOSE ASSY, (see page 9-9 for details)	34	7713-3498	1	CLAMP COVER
17		Ref	HOSE ASSY, (see page 9-2, item 3 for details)	35	7713-3499	2	HEX HD CAPSCREW, 1/4-20X5/16
18	8471-7893	1	HOSE ASSY	36	8820-1008	2	HEX HD CAPSCREW, 1/4-20X1-3/4, GR5
				37	8856-1107	2	FLAT WASHER, 1/4
				38	8855-1009	2	LOCKWASHER, 1/4
				39	7713-3136	2	CLAMP SET
				40	7713-3137	2	COVER PLATE
				41	8820-1023	2	HEX HD CAPSCREW, 5/16-18X1-3/4 GR5

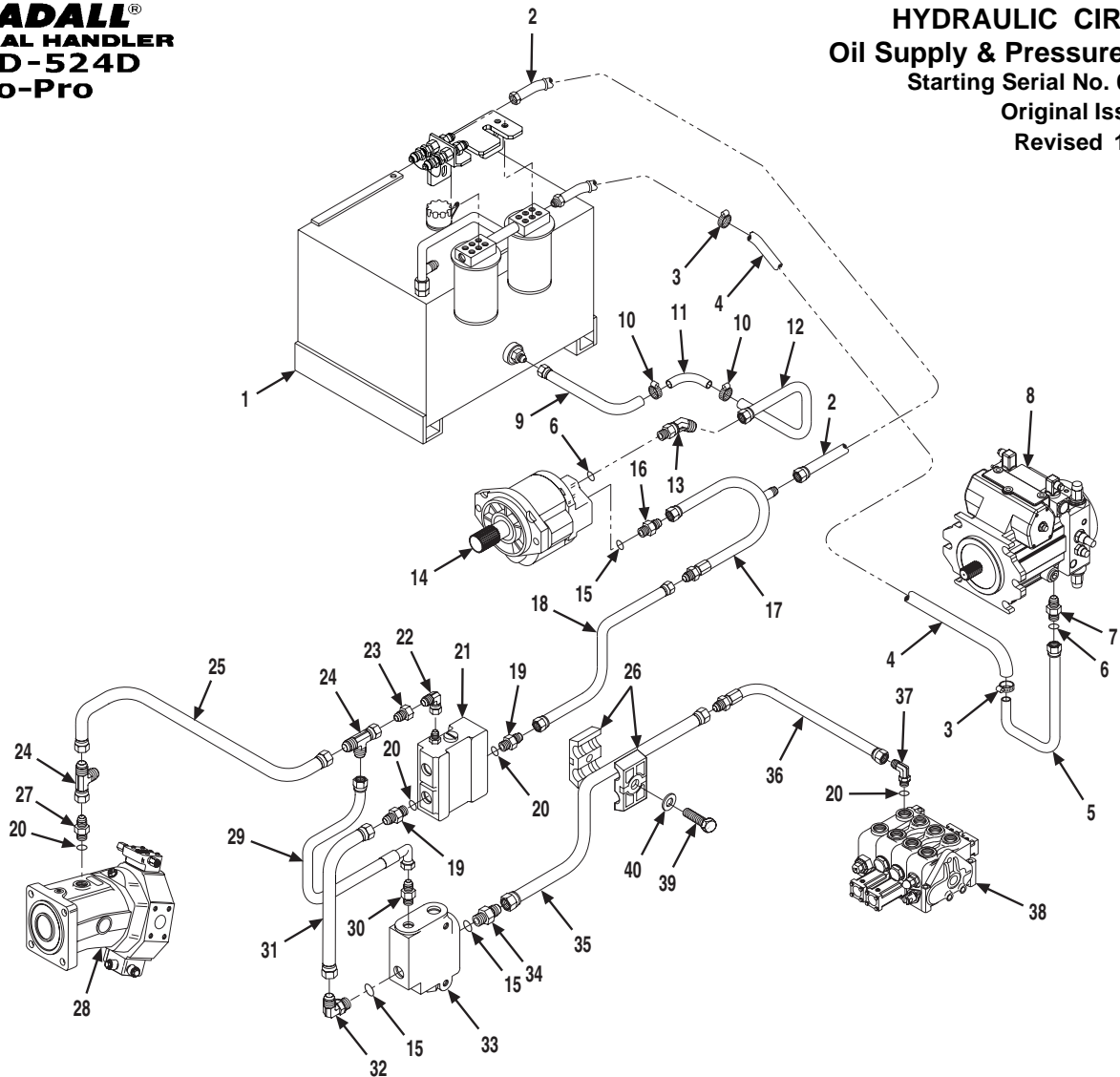


Item	Part No.	Qty.	Description Of Part	Item	Part No.	Qty.	Description Of Part
1		Ref	BRAKE VALVE ASSY, (see page 10-10 for details)	11	8850-1405	1	HEX JAM NUT, 5/16-24
2	9116-3093	1	FOOT SWITCH, (524D only)	12	9104-3214	1	SPRING
3	8820-1022	3	HEX HD CAPSCREW, 5/16-18X1-1/2, GR5	13	9108-1332	1	LINKAGE ROD
4	8855-1010	5	LOCKWASHER, 5/16	14	8850-1406	2	HEX JAM NUT, 3/8-24
5	8850-1005	4	HEX NUT, 5/16-18	15	8882-1004	2	YOKE END
6	9114-6108	1	BRAKE PEDAL	16	9002-7987	2	CLEVIS PIN
7	9020-0284	1	SHAFT	17		Ref	INCHING VALVE ASSY, (see page 10-12 for details)
8	8844-1001	2	SQUARE HD CAPSCREW, 1/4-20X1/2	18	8821-2228	2	SOCKET HD CAPSCREW, 5/16-18X1-1/4
9	9108-3312	1	CAM ROLLER	19	9108-3136	4	BUSHING
10	8826-1017	3	SOCKET BUTTON HD CAPSCREW, 1/4-20X7/8, (524D only)	20	9114-6102	1	PEDAL WELDMENT
				21	8820-1021	1	HEX HD CAPSCREW, 5/16-18X1-1/4, GR5

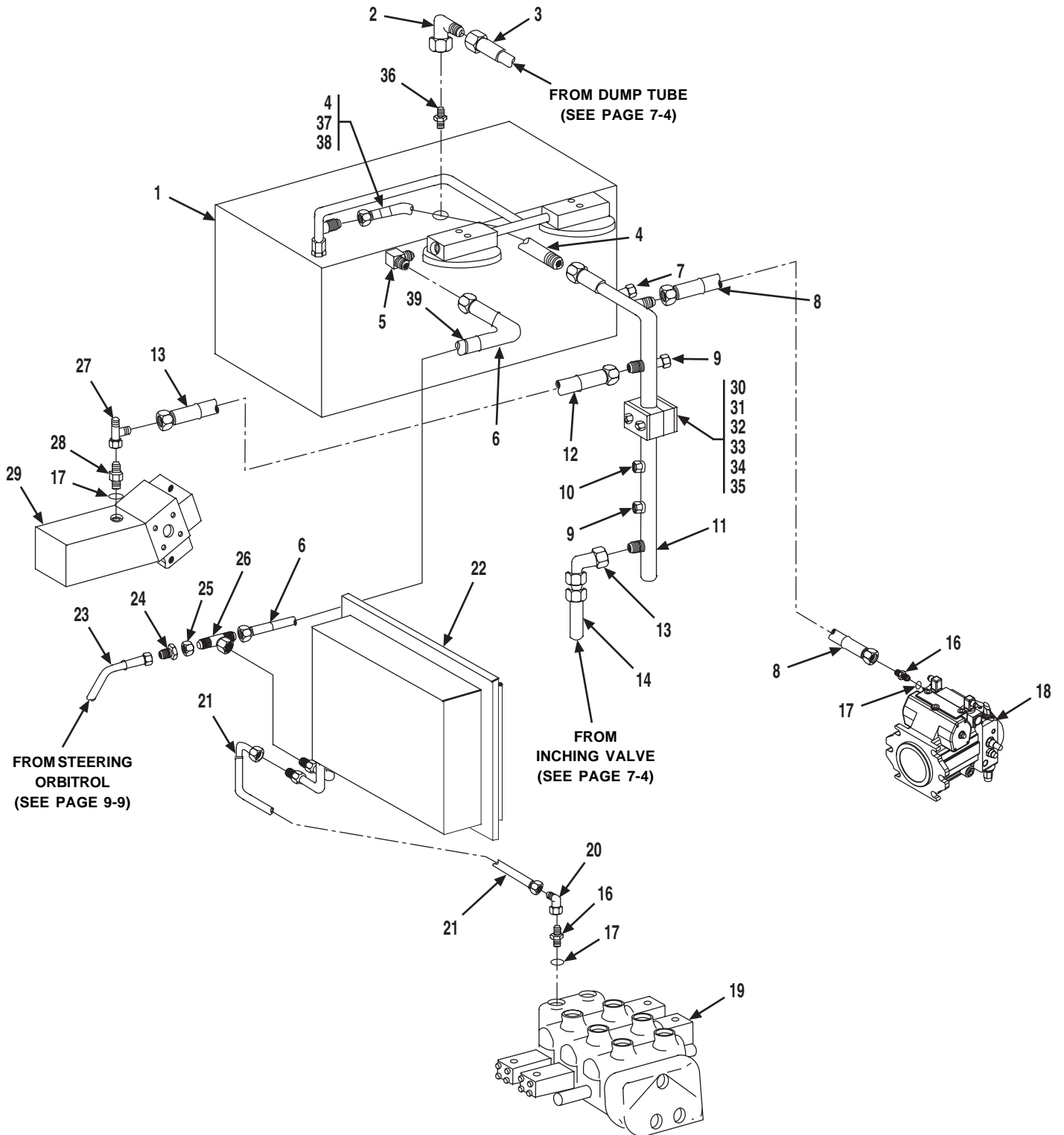


Item	Part No.	Qty.	Description Of Part
1		Ref	ELBOW, 90 DEGREES, (swivel nut), (see page 6-1 for details)
2		Ref	TEST FITTING, (see page 6-1 for details)
3		Ref	SWIVEL NUT BRANCH TEE, 3/8 TUBE, (see page 6-1 for details)
4	8471-9115	1	HOSE ASSY
5	8471-8759	1	HOSE ASSY
6		Ref	ELBOW, 90 DEGREES, (includes item 7), (see page 7-4 for details)
7		Ref	O-RING, (see page 7-4 for details)
8		Ref	SOLENOID VALVE ASSY, (see page 10-11 for details)

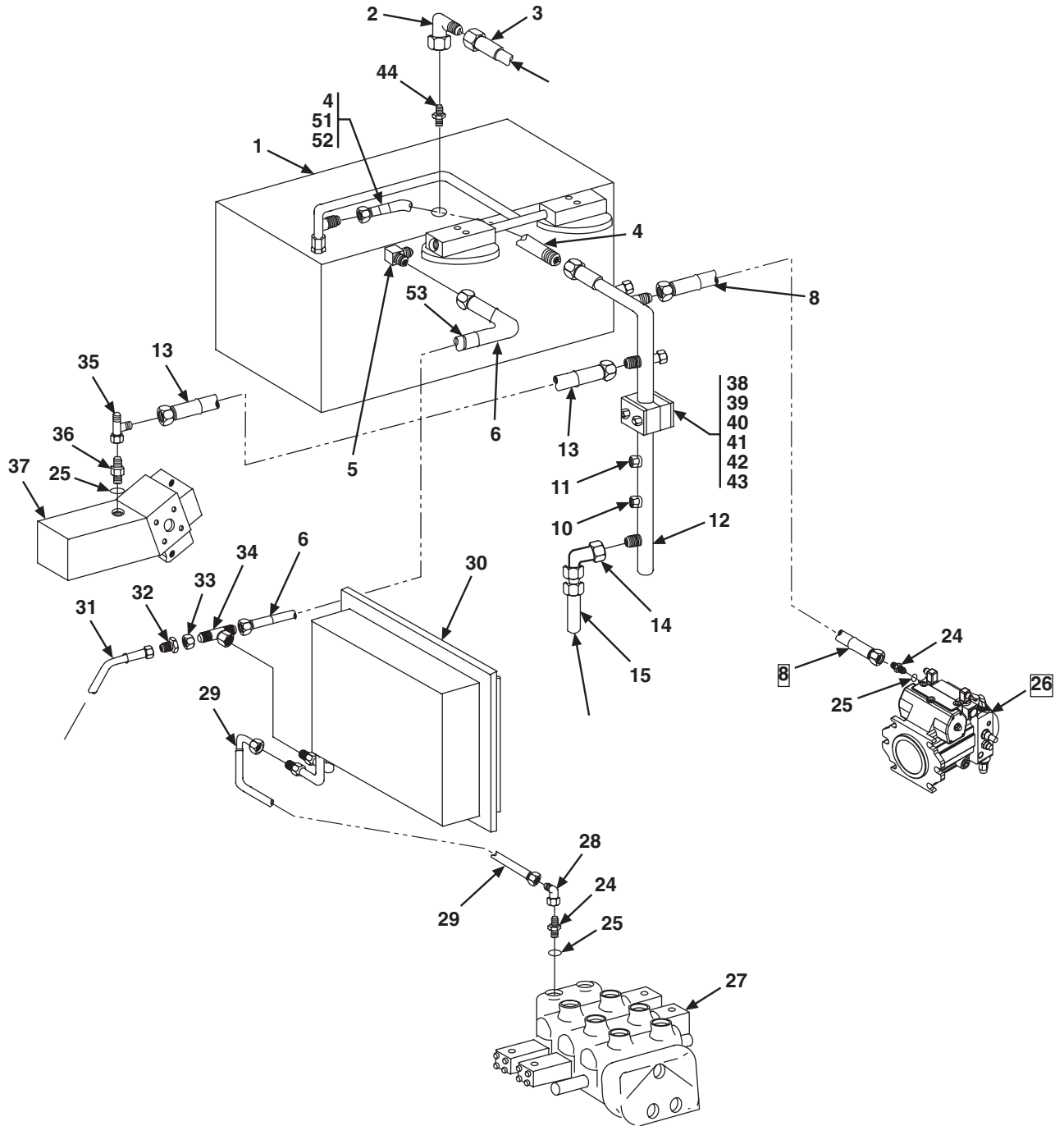
Item	Part No.	Qty.	Description Of Part
9		Ref	BRAKE VALVE ASSY, (see page 10-10 for details)
10		Ref	COPPER GASKET, (see page 7-4 for details)
11		Ref	STRAIGHT THREAD CONNECTOR, (see page 7-4 for details)
12	7713-3137	1	COVER PLATE
13	7732-3029	1	CLAMP SET
14	9121-3002	1	CLAMP SET
15	8820-1023	1	HEX HD CAPSCREW, 5/16-18X1-3/4, GR5
16	7713-3306	1	STACK BOLT
17	7713-3390	1	SAFETY CLIP



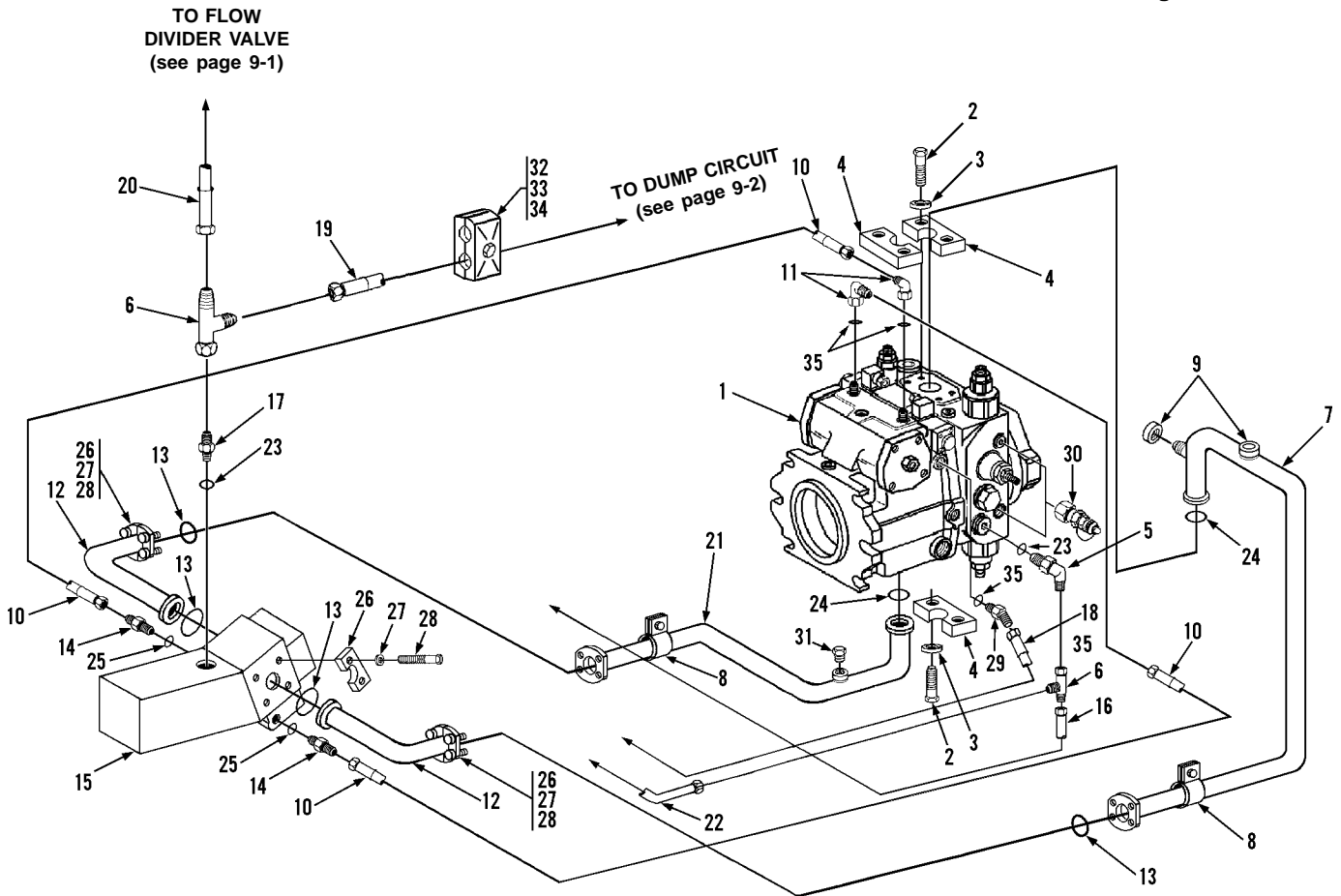
Item	Part No.	Qty.	Description Of Part	Item	Part No.	Qty.	Description Of Part
1		Ref	HYDRAULIC RESERVOIR ASSY, (see page 10-16 for details)	22	8866-2106	1	ELBOW, 90 DEGREES, (swivel nut)
2	8471-7934	1	HOSE ASSY	23	8688-3469	1	REDUCER
3	8063-3030	2	BAND CLAMP	24	8866-2239	2	SWIVEL NUT RUN TEE, 3/8 TUBE
4	9108-3246	1	HOSE ASSY	25	8471-7832	1	HOSE ASSY
5	9108-3536	1	INTAKE TUBE	*26	7713-3133	1	CLAMP SET
6	8859-1210	2	O-RING	27	9105-3426	1	ADAPTER, (includes item 20)
7	8866-2011	1	STR. THREAD CONNECTOR, (includes item 6)	28		Ref	FRONT DRIVE MOTOR ASSY, (see page 10-15 for details)
8		Ref	HYDROSTATIC TRANSMISSION, (see page 10-14 for details)	29	8471-7803	1	HOSE ASSY
9	9108-3145	1	SUCTION TUBE	30	8366-1316	1	STR. THREAD CONNECTOR
10	9002-8482	2	HOSE CLAMP	31	9108-3293	1	TUBE ASSY
11	7713-3166	1	SUCTION HOSE	32	8866-2061	1	ELBOW, 90 DEGREE, (includes item 15)
12	9132-3022	1	SUCTION TUBE	33		Ref	PRIORITY FLOW CONTROL VALVE, (see page 10-8 for details)
13	8866-2090	1	ELBOW, 45 DEGREE, (includes item 6)	34	8866-2025	1	CONNECTOR, (includes item 15)
14		Ref	MAIN HYDRAULIC PUMP, (see page 10-13 for details)	35	8471-9038	1	HOSE ASSY
15	8859-1209	3	O-RING	36	9108-3232	1	TUBE ASSY
16	8866-2010	1	CONNECTOR, (includes item 15)	37	8866-2067	1	ELBOW, 90 DEGREE, (includes item 20)
17	9132-3023	1	TUBE ASSY	38		Ref	MAIN CONTROL VALVE, (see page 10-6 for details)
18	8471-7851	1	HOSE ASSY	*39	8820-1025	1	HEX HD CAPSCREW, 5/16-18X2-1/4, GR5
19	8866-2008	2	CONNECTOR, (includes item 20)	*40	7713-3134	1	COVER PLATE
20	8859-1207	4	O-RING				
21		Ref	FLOW DIVIDER VALVE, (see page 10-9 for details)				



Item	Part No.	Qty.	Description Of Part	Item	Part No.	Qty.	Description Of Part
1		Ref	HYDRAULIC RESERVOIR, (see page 10-16 for details)	22		Ref	OIL COOLER ASSY, (see page 5-5 for details)
2	8866-2106	1	ELBOW, 90 DEGREE, (swivel nut)	23		Ref	HOSE ASSY, (see page 9-8, item 22 for details)
3	8471-8164	1	HOSE ASSY	24	8866-1345	1	TUBE END REDUCER, 3/4X3/8
4	8471-9071	1	HOSE ASSY	25	8866-1408	1	NUT
5	8362-3032	1	ELBOW, 90 DEGREE	26	8866-2227	1	SWIVEL NUT BRANCH TEE, 3/4 TUBE
6	8471-9109	1	HOSE ASSY	27	8866-2239	1	SWIVEL NUT RUN TEE, 3/8 TUBE
7	8866-1365	1	HEX CAP, 1/2 TUBE	28	9105-3426	1	STRAIGHT THREAD ADAPTER, (includes item 15)
8	8471-7839	1	HOSE ASSY	29		Ref	FRONT DRIVE MOTOR ASSY, (see page 10-15 for details)
9	8866-1364	1	HEX CAP, 3/8 TUBE	30	7713-3053	1	CLAMP SET
10	8866-1362	1	HEX CAP, 1/4 TUBE	31	7713-3052	1	COVER PLATE
11	9112-3149	1	DRAIN TUBE ASSY	32	8820-1010	2	HEX HD CAPSCREW, 1/4-20X2-1/4, GR5
12	8471-7911	1	HOSE ASSY	33	8850-1004	2	HEX NUT, 1/4-20
13	8866-2105	1	ELBOW, 90 DEGREE, (swivel nut)	34	8855-1009	2	LOCKWASHER, 1/4
14	8471-6719	1	HOSE ASSY	35	8856-1107	2	FLAT WASHER, 1/4
15	8859-1207	1	O-RING	36	8866-1013	1	MALE CONNECTOR
16	8866-2008	2	CONNECTOR, (includes item 17)	37	7149-2142	8"	FLEX LOOM
17	8859-1207	2	O-RING	38	8668-3122	2	TIE WRAP
18		Ref	HYDROSTATIC TRANSMISSION, (see page 10-14 for details)	39	9002-7187	1	TIE WRAP
19		Ref	MAIN HYDRAULIC CONTROL VALVE, (see page 10-6 for details)				
20	8866-2108	1	ELBOW, 90 DEGREE, (swivel nut)				
21	8471-9110	1	HOSE ASSY				

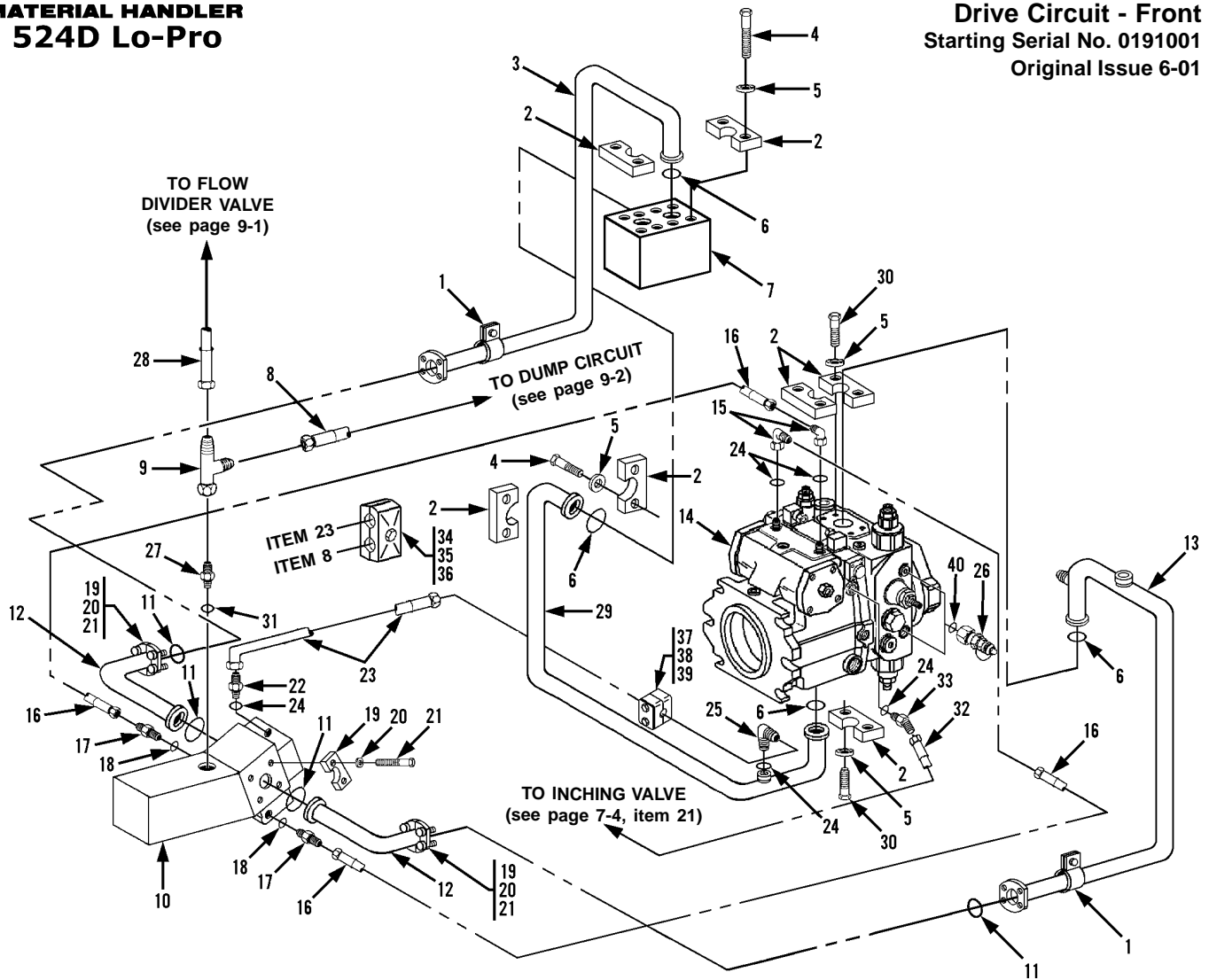


Item	Part No.	Qty.	Description Of Part	Item	Part No.	Qty.	Description Of Part
1		Ref	HYDRAULIC RESERVOIR, (see page 10-16 for details)	29	8471-9110	1	HOSE ASSY
2	8866-2106	1	ELBOW, 90 DEGREE, (swivel nut)	30		Ref	OIL COOLER ASSY, (see page 5-5 for details)
3	8471-8164	1	HOSE ASSY	31		Ref	HOSE ASSY, (see page 9-8 item 22 for details)
4	8471-9071	1	HOSE ASSY	32	8866-1345	1	TUBE END REDUCER, 3/4X3/8
5	8362-3032	1	ELBOW, 90 DEGREE	33	8866-1408	1	NUT
6	8471-9109	1	HOSE ASSY	34	8866-2227	1	SWIVEL NUT BRANCH TEE, 3/4 TUBE
7	8471-9430	1	HOSE ASSY	35	8866-2239	1	SWIVEL NUT RUN TEE, 3/8 TUBE
8	8471-7839	1	HOSE ASSY	36	9105-3426	1	STRAIGHT THREAD ADAPTOR, (includes item 25)
9	8471-7889	1	HOSE ASSY	37		Ref	FRONT DRIVE MOTOR ASSY, (see page 10-15 for details)
10	8866-1364	1	HEX CAP, 3/8 TUBE	38	7713-3053	1	CLAMP SET
11	8866-1362	1	HEX CAP, 1/4 TUBE	39	7713-3052	1	COVER PLATE
12	9112-3149	1	DRAIN TUBE ASSY	40	8820-1010	2	HEX HD CAPSCREW, 1/4-20X2-1/4, GR5
13	8471-7911	1	HOSE ASSY	41	8850-1004	2	HEX NUT, 1/4-20
14	8866-2105	1	ELBOW, 90 DEGREE, (swivel nut)	42	8855-1009	2	LOCKWASHER, 1/4
15	8471-6719	1	HOSE ASSY	43	8856-1107	2	FLAT WASHER, 1/4
16	8866-2064	1	ELBOW, 90 DEGREE, (includes item 17)	44	8866-1013	1	MALE CONNECTOR
17	8859-1204	2	O-RING	45	8866-2005	1	CONNECTOR, (includes item 17)
18		Ref	SOLENOID VALVE, (see page 10-11)	46	8471-9141	1	HOSE ASSY
19	8866-2224	1	SWIVEL NUT RUN TEE, 3/8 TUBE	47	8855-1009	2	LOCKWASHER, 1/4
20		Ref	TRACTION LOCK VALVE, (see page 10-18 for details)	48	8820-1008	2	HEX HD CAPSCREW, 1/4-20X1-3/4, GR5
21	8471-9429	1	HOSE ASSY	49	8856-1001	2	FLAT WASHER, 3/16
22	8365-1133	1	REDUCER WITH ADAPTOR	50	9148-1006	1	MOUNTING BAR
23	8866-2242	1	SWIVEL NUT RUN TEE, 3/4 TUBE	51	7149-2142	8"	FLEX LOOM
24	8866-2008	2	CONNECTOR, (includes item 25)	52	8668-3122	2	TIE WRAP
25	8859-1207	3	O-RING	53	9002-7187	1	TIE WRAP
26		Ref	HYDROSTATIC TRANSMISSION, (see page 10-14 for details)				
27		Ref	MAIN HYDRAULIC CONTROL VALVE ASSY, (see page 10-6 for details)				
28	8866-2108	1	ELBOW - 90 DEGREE, (swivel nut)				

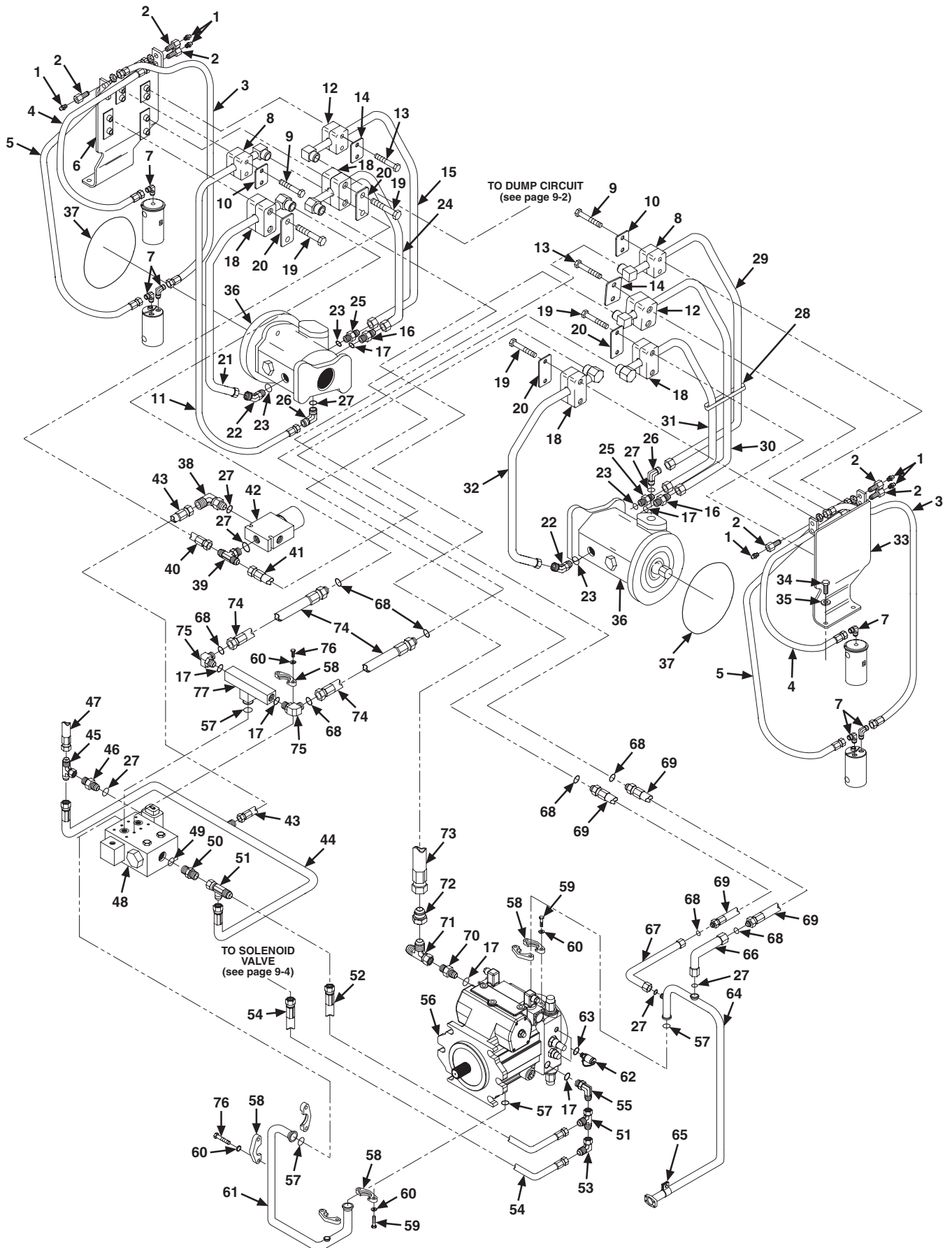


1. Item 18 routes to Inching Valve (see page 7-4, item 4)
2. Item 22 routes to Solenoid Valve (see page 7-4, item 9)
3. Item 16 routes to Hydraulic Reservoir (see page 7-4, item 17 front connector)

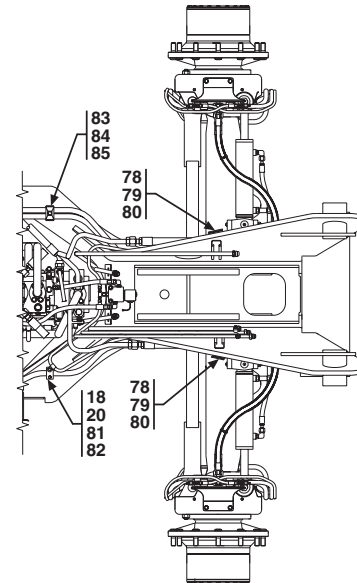
Item	Part No.	Qty.	Description Of Part	Item	Part No.	Qty.	Description Of Part
1		Ref	HYDROSTATIC TRANSMISSION ASSY, (see page 10-16 for details)	18	8471-7344	1	HOSE ASSY
2	8320-1135	8	HEX HD CAPSCREW, 7/16-14X1-1/2, GR8	19	8471-7911	1	HOSE ASSY
3	8855-1012	8	LOCKWASHER, 7/16	20	8471-7832	1	HOSE ASSY
4	8471-2738	4	FLANGE HALF	21	9139-3003	1	TUBE ASSY
5	9108-3222	1	ELBOW, 90 DEGREES, (includes item 23)	22	8471-7304	1	HOSE ASSY
6	8866-2239	2	SWIVEL NUT RUN TEE, 3/8 TUBE	23	8859-1207	2	O-RING
7	9114-3055	1	TUBE ASSY	24	9108-3106	2	O-RING
8	9020-5792	2	CUSHION CLAMP	25	8859-1202	2	O-RING
9	8471-4006	2	CAP	26	8471-2739	8	FLANGE HALF
10	8471-8861	2	HOSE ASSY	27	8855-1013	16	LOCKWASHER, 1/2
11	9002-7906	2	ELBOW, 90 DEGREES, (includes item 35)	28	8320-1120	16	HEX HD CAPSCREW, 1/2-13X1-3/4, GR5
12	8471-8657	2	HOSE ASSY	29	8866-2084	1	ELBOW, 45 DEGREES, (includes item 35)
13	9108-3339	4	O-RING	30	9105-3020	2	STAUFF TEST COUPLING
14	8866-2003	2	CONNECTOR (includes item 25)	31	8866-1384	1	HEX PLUG, 3/8 TUBE
15		Ref	FRONT DRIVE MOTOR, (see page 10-15 for details)	32	7713-3140	2	COVER PLATE
16	8471-7852	1	HOSE ASSY	33	7713-3177	2	HEX HD CAPSCREW, 5/16-18X1-3/8
17	9105-3426	1	STRAIGHT THREAD ADAPTER, (includes item 23)	34	9108-3240	2	CLAMP SET
				35	8859-1204	3	O-RING



Item	Part No.	Qty.	Description Of Part	Item	Part No.	Qty.	Description Of Part
1	9020-5792	2	CUSHION CLAMP	21	8320-1120	16	HEX HD CAPSCREW, 1/2-13X1-3/4, GR5
2	8471-2738	8	SPLIT FLANGE CLAMP	22	8866-2017	1	CONNECTOR, (includes item 24)
3	9133-3004	1	TUBE ASSY	23	8471-7983	1	HOSE ASSY
4	8320-1155	8	HEX HD CAPSCREW, 7/16-14X1-3/4, GR8	24	8859-1204	5	O-RING
5	8855-1012	16	LOCKWASHER, 7/16	25	8866-2064	1	ELBOW, 90 DEGREES, (includes item 24)
6	9108-3106	4	O-RING	26	9105-3020	2	TEST COUPLING, (includes item 40)
7		Ref	TRACTION LOCK VALVE, (see page 10-18 for details)	27	9105-3426	1	STRAIGHT THREAD ADAPTER, (includes item 31)
8	8471-7911	1	HOSE ASSY	28	8471-7832	1	HOSE ASSY
9	8866-2239	1	SWIVEL NUT RUN TEE, 3/8 TUBE	29	9116-3201	1	HOSE ASSY
10		Ref	FRONT DRIVE MOTOR, (see page 10-15 for details)	30	8320-1135	8	HEX HD CAPSCREW, 7/16-14X1-1/2, GR8
11	9108-3339	4	O-RING	31	8859-1207	1	O-RING
12	8471-9689	2	HOSE ASSY	32	8471-7344	1	HOSE ASSY
13	9114-3055	1	TUBE ASSY	33	8866-2084	1	ELBOW, 45 DEGREES, (includes item 24)
14		Ref	HYDROSTATIC TRANSMISSION PUMP, (see page 10-14 for details)	34	7713-3140	2	COVER PLATE
15	9002-7906	2	ELBOW, 90 DEGREES, (includes item 24)	35	7713-3177	2	HEX HD CAPSCREW, 5/16-18X1-3/8
16	8471-8861	2	HOSE ASSY	36	9108-3240	2	CLAMP SET
17	8866-2003	2	CONNECTOR, (includes item 18)	37	7713-3497	1	CLAMP SET
18	8859-1202	2	O-RING	38	7713-3498	1	COVER PLATE
19	8471-2739	8	SPLIT FLANGE CLAMP	39	7713-3499	2	HEX HD CAPSCREW, 1/4-20X1-5/16
20	8855-1013	16	LOCKWASHER, 1/2	40	9105-4002	2	VITON O-RING

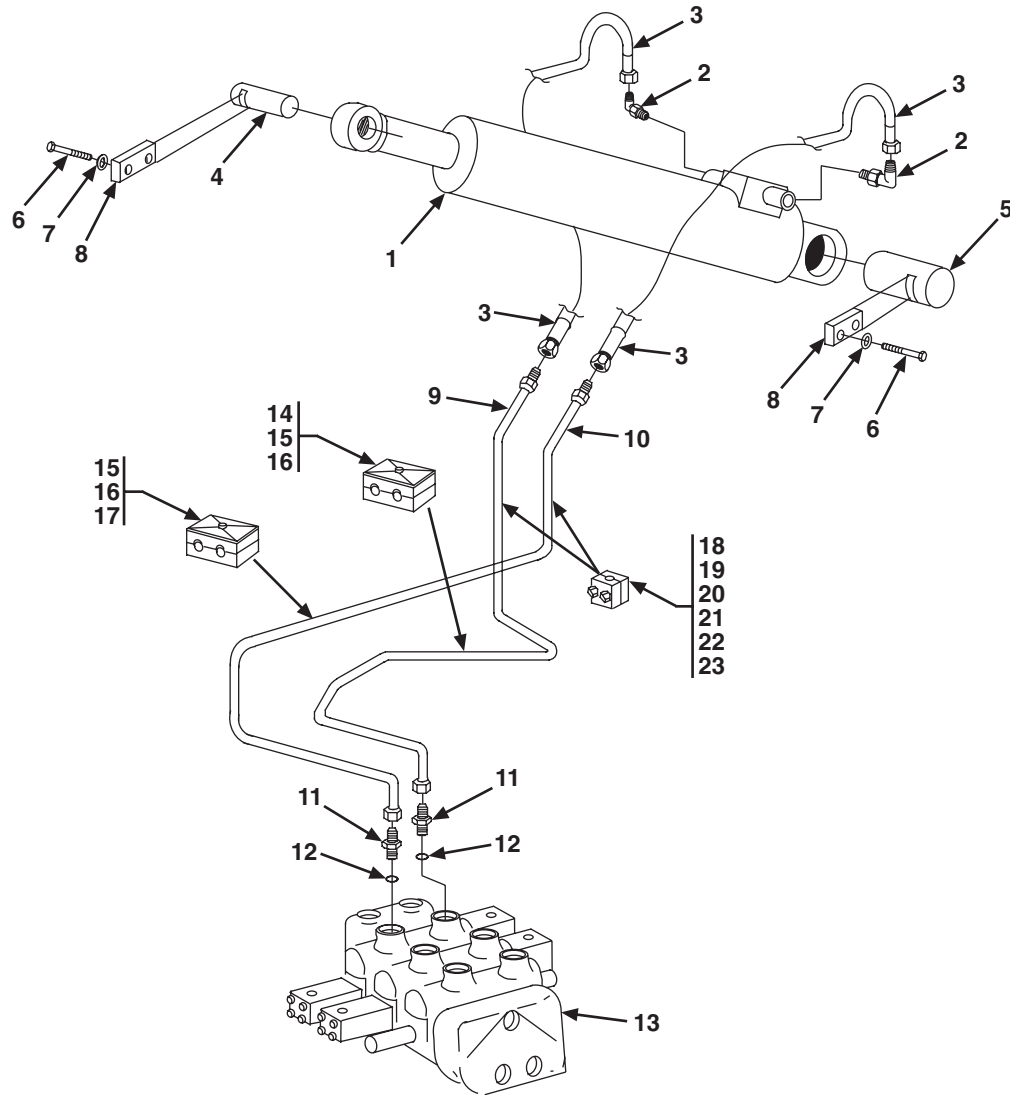


Item	Part No.	Qty.	Description Of Part
1	8867-1001	6	LUBE FITTING, STRAIGHT, 1/8
2	8062-3016	6	BULKHEAD ADAPTER
3	8471-9169	2	GREASING HOSE
4	8471-9698	2	GREASING HOSE
5	8471-9380	2	GREASING HOSE
6	9140-6099	1	RIGHT TUBE SUPPORT BRACKET
7	8866-1103	6	MALE ELBOW, 90 DEGREE, 1/4X1/8 TUBE
8	9106-3040	2	CLAMP SET, 3/8
9	8820-1006	4	HEX HD CAPSCREW, 1/4-20X1-1/4, GR5
10	9106-3039	2	COVER PLATE
11	9138-3057	1	RIGHT TUBE ASSEMBLY
12	9103-3138	2	CLAMP SET, 1/2
13	7713-3499	4	HEX HD CAPSCREW, 1/4-20X1-5/16
14	7713-3498	2	COVER PLATE
15	9138-3056	1	RIGHT TUBE ASSEMBLY
16	8866-2020	2	CONNECTOR, (includes item 17)
17	8859-1207	6	O-RING
18	7713-3053	5	CLAMP SET, 3/4
19	8820-1007	8	HEX HD CAPSCREW, 1/4-20X1-1/2, GR5
20	7713-3052	5	COVER PLATE
21	9138-3055	1	RIGHT TUBE ASSEMBLY
22	8866-2425	2	ELBOW, 45 DEGREE, (includes item 23)
23	8859-1209	4	O-RING
24	9138-3054	1	RIGHT TUBE ASSEMBLY
25	8866-2306	2	STR THD CONNECTOR, (includes item 23)
26	9138-5022	2	RESTRICTOR, (includes item 27)
27	8859-1204	7	O-RING
28	9002-7187	18	TIE WRAP
29	9148-3023	1	LEFT TUBE ASSEMBLY
30	9138-3061	1	LEFT TUBE ASSEMBLY
31	9138-3059	1	LEFT TUBE ASSEMBLY
32	9138-3060	1	LEFT TUBE ASSEMBLY
33	9148-6011	1	LEFT TUBE SUPPORT BRACKET
34	8820-1035	4	HEX HD CAPSCREW, 3/8-16X1, GR5
35	8855-1011	4	LOCKWASHER, 3/8
36		Ref	REAR DRIVE MOTOR, (see page 10-7 for details)
37	9002-3155	2	O-RING
38	8866-2064	1	ELBOW, 90 DEGREE, (includes item 27)
39	8866-2222	1	SWIVEL NUT BRANCH TEE, 1/4 TUBE, (includes item 27)
40	8471-9432	1	HOSE ASSEMBLY
41	8471-9431	1	HOSE ASSEMBLY
42		Ref	SOLENOID VALVE, (see page 10-11 for details)
43	8471-9142	1	HOSE ASSEMBLY
44	9116-3098	1	FLOW DIVIDER TUBE
45	8866-2224	1	SWIVEL NUT BRANCH TEE, 3/8 TUBE
46	8866-2005	1	CONNECTOR, (includes item 27)
47	8471-8185	1	HOSE ASSEMBLY
48		Ref	TRACTION LOCK VALVE, (see page 10-18 for details)
49	8859-1206	1	O-RING
50	9108-3306	1	STR THD CONNECTOR, (includes item 49)
51	8866-2239	2	SWIVEL NUT RUN TEE, 3/8 TUBE
52	7713-3447	1	HOSE ASSEMBLY

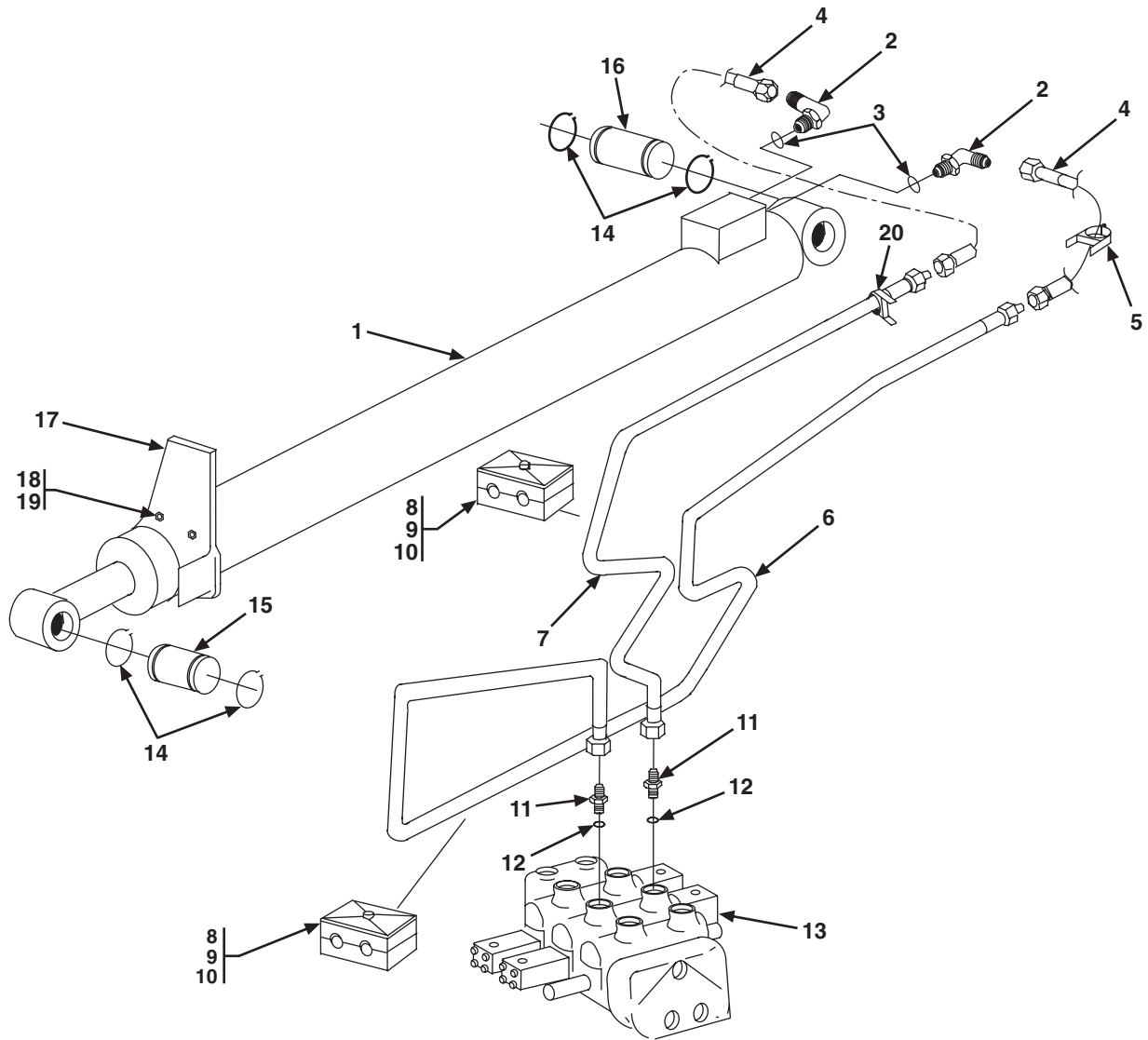


REAR DRIVE HOSE CLAMP LOCATIONS

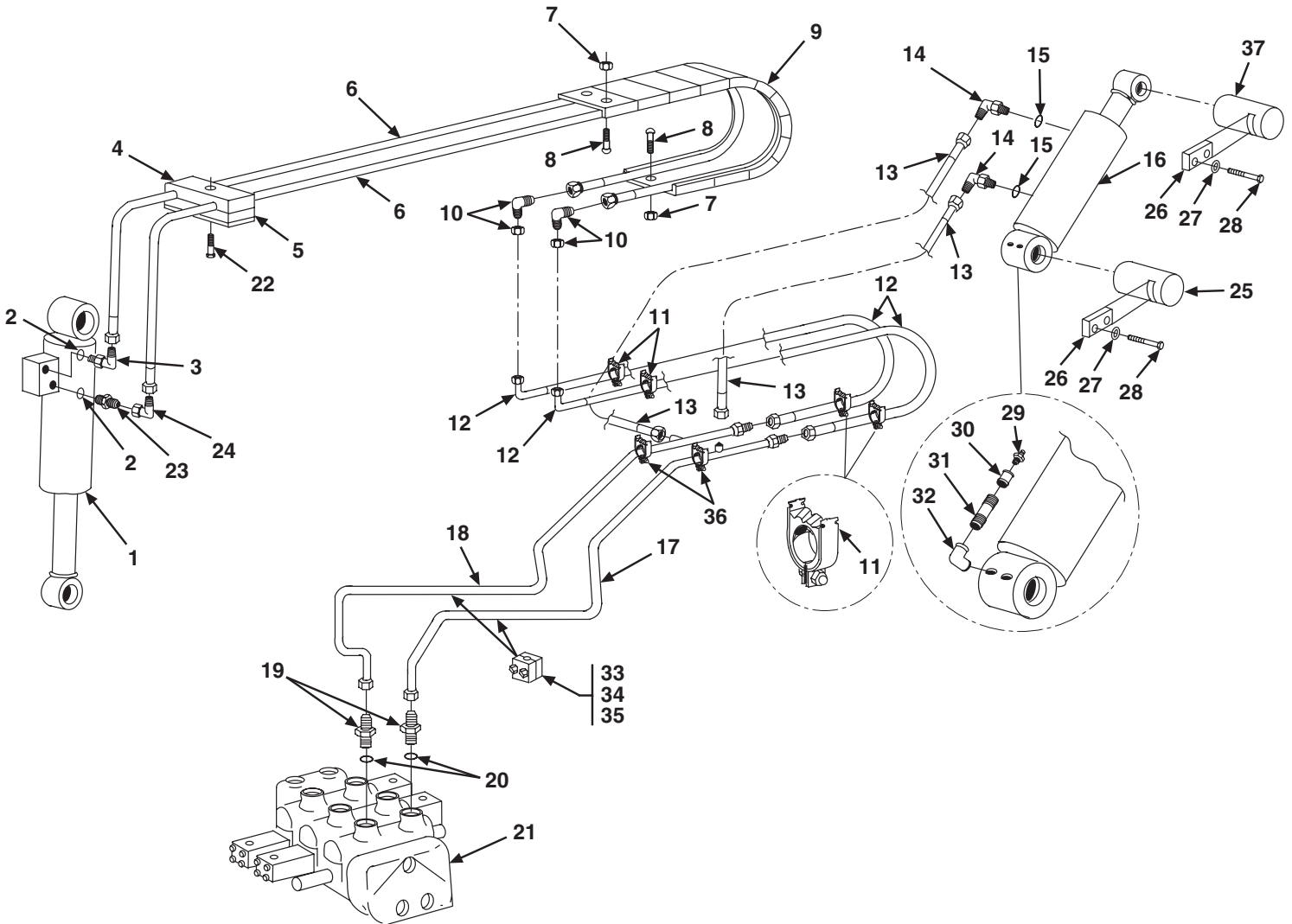
Item	Part No.	Qty.	Description Of Part
53	8866-2105	1	ELBOW, 90 DEGREE, (swivel nut)
54		Ref	HOSE ASSEMBLY, (see page 7-4 item 12 for details)
55	9108-3222	1	REDUCING CONNECTOR, (includes item 17)
56		Ref	HYDROSTATIC TRANSMISSION PUMP, (see page 10-14 for details)
57	9108-3106	3	O-RING
58	8471-2738	8	SPLIT FLANGE CLAMP
59	8320-1135	8	HEX HD CAPSCREW, 7/16-14X1-1/2
60	8855-1012	12	LOCKWASHER, 7/16
61	9116-3201	1	TUBE ASSEMBLY
62	9105-3020	2	TEST COUPLING, (includes item 63)
63	9105-4002	2	VITON O-RING, (lubricate slightly)
64	9114-3055	1	TUBE ASSEMBLY
65	9020-5792	1	CUSHION CLAMP
66	9108-3191	1	TUBE ASSEMBLY
67	9108-3194	1	TUBE ASSEMBLY
68	8859-1508	6	O-RING
69	8471-7824	2	HOSE ASSEMBLY
70	8866-2008	1	CONNECTOR, (includes item 17)
71	8866-2242	1	SWIVEL NUT RUN TEE, 3/4 TUBE
72	8365-1133	1	REDUCER WITH ADAPTER
73	8471-9429	1	HOSE ASSEMBLY
74	8471-7878	2	HOSE ASSEMBLY, (includes item 68)
75	8866-2421	2	ELBOW, 45 DEGREE, (includes item 17)
76	8320-1155	4	HEX HD CAPSCREW, 7/16-14X1-3/4
77	9108-3266	1	TUBE ASSEMBLY
78	9130-3049	2	HOSE SUPPORT
79	8820-1018	2	HEX HD CAPSCREW, 5/16-18X3/4, GR5
80	8856-1108	2	FLAT WASHER, 5/16
81	8594-1016	3	SUPPORT CLAMP
82	7713-3209	2	HEX HD CAPSCREW, 1/4-20X1-3/8
83	7713-3279	1	CLAMP SET
84	7713-3137	1	COVER PLATE
85	8820-1023	1	HEX HD CAPSCREW, 5/16-18X1-3/4, GR5



Item	Part No.	Qty.	Description Of Part	Item	Part No.	Qty.	Description Of Part
1		Ref	LIFT CYLINDER ASSY, (see page 10-1 for details)	13		Ref	MAIN HYDRAULIC CONTROL VALVE, (see page 10-6 for details)
2	9108-3050	2	HYDRAULIC SWIVEL	14	7713-3139	1	CLAMP SET
3	8471-7860	2	HOSE ASSY	15	7713-3140	2	COVER PLATE
4	9108-1432	1	PIN	16	7713-3177	2	HEX HD CAPSCREW, 5/16-18X1-3/8
5	9108-1433	1	PIN	17	9108-3240	1	CLAMP SET
6	8820-1065	4	HEX HD CAPSCREW, 1/2-13X1, GR5	18	7713-3497	2	CLAMP SET
7	8855-1013	4	LOCKWASHER, 1/2	19	7713-3498	2	COVER PLATE
8	9108-1313	2	KEEPER PLATE	20	8820-1009	4	HEX HD CAPSCREW, 1/4-20X2, GR5
9	9108-3224	1	TUBE ASSY	21	8856-1002	4	FLAT WASHER, 1/4
10	9108-3225	1	TUBE ASSY	22	8855-1009	4	LOCK WASHER, 1/4
11	8866-2007	2	CONNECTOR, (includes item 12)	23	8850-1004	4	HEX NUT, 1/4-20
12	8859-1206	2	O-RING				

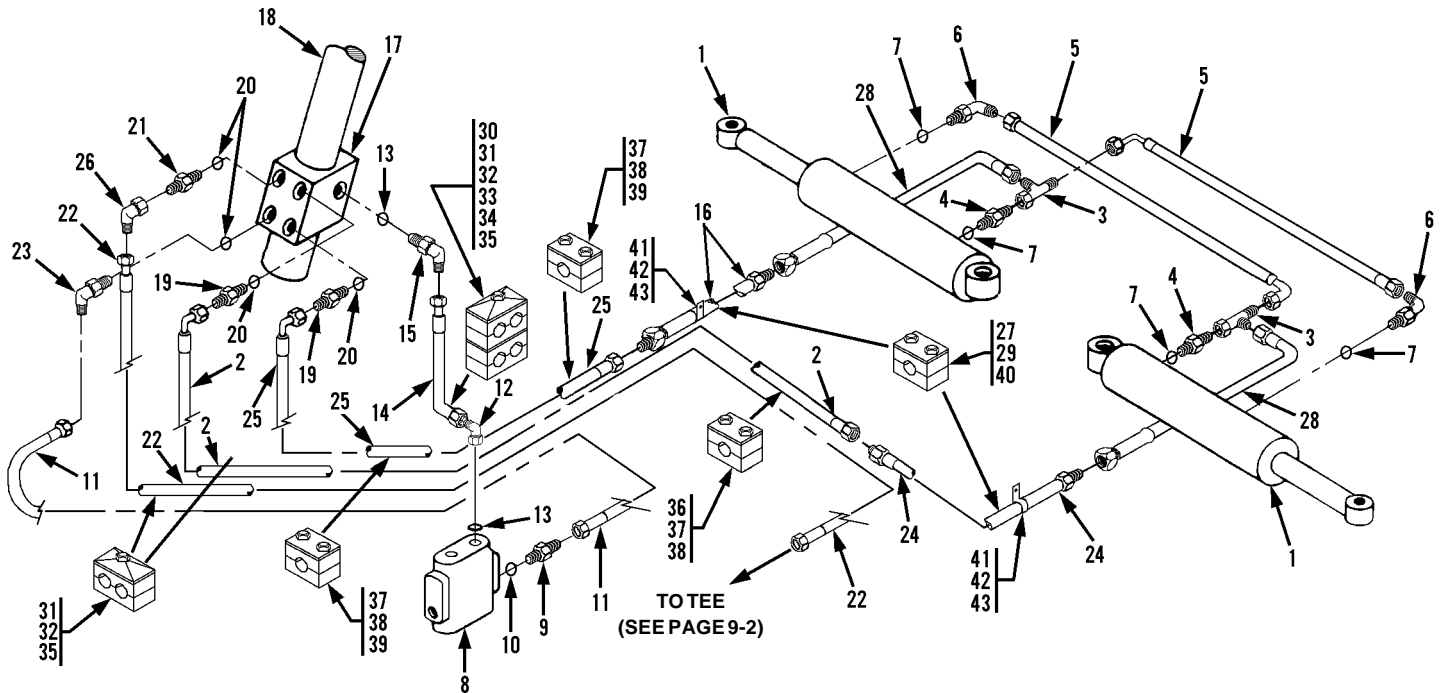


Item	Part No.	Qty.	Description Of Part	Item	Part No.	Qty.	Description Of Part
1		Ref	CROWDCYLINDER ASSY, (see page 10-2 for details)	11	8866-2007	2	CONNECTOR, (includes item 12)
2	8866-2065	2	ELBOW, 90 DEGREES, (includes item 3)	12	8859-1206	2	O-RING
3	8859-1205	2	O-RING	13		Ref	MAINHYDRAULICCONTROL VALVE, (see page 10-6 for details)
4	8471-9650	2	HOSE ASSY	14	8858-1140	4	EXT RETAINING RING
5	9020-7464	2	CUSHIONCLAMP	15	9108-1437	1	CROWDCYLINDER PIN
6	9130-3009	1	TUBE ASSY	16	9108-1438	1	CROWDCYLINDER PIN
7	9130-3006	1	TUBE ASSY	17	9108-6085	1	CYLINDER SUPPORT WELDMENT
8	7713-3139	2	CLAMP SET	18	8820-1066	4	HEX HD CAPSCREW, 1/2-13X1-1/4, GR5
9	7713-3140	2	COVER PLATE	19	8855-1013	4	LOCKWASHER, 1/2
10	7713-3177	2	HEX HD CAPSCREW	20	9108-3217	2	CUSHIONCLAMP

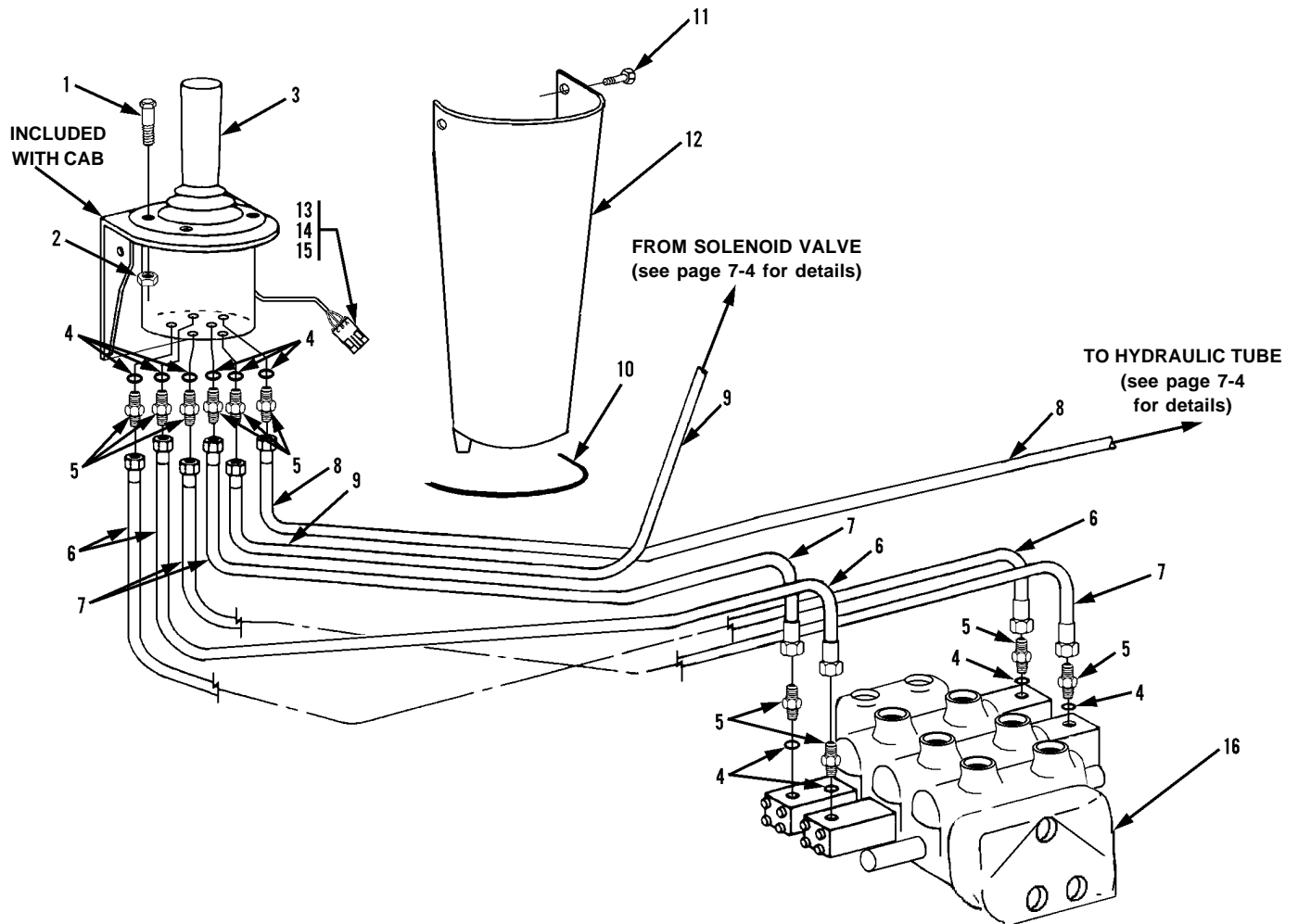


Item	Part No.	Qty.	Description Of Part
1		Ref	TILT CYLINDER ASSY, (see page 10-3 for details)
2	8859-1207	2	O-RING
3	9105-3450	1	STR. THREAD ELBOW, 90 DEGREE
* 4	7713-3139	1	CLAMP SET
* 5	7713-3140	1	COVER PLATE
6	8471-7886	2	HOSE ASSY
7	8852-1205	4	HEX LOCKNUT, 5/16-18
8	8841-1036	4	ROUND HD CARRIAGE BOLT, 5/16-18X3/4
9	9108-3290	1	HOSE CARRIER
10	9002-7179	2	BULKHEAD FITTING, 90 DEGREE
11	9020-7463	4	CUSHION CLAMP
12	8471-7563	2	HOSE ASSY
13	8471-7859	2	HOSE ASSY
14	8866-2065	2	ELBOW, 90 DEGREE, (includes item 15)
15	8859-1205	2	O-RING
16		Ref	COMPENSATING CYLINDER ASSY, (see page 10-4 for details)
17	9130-3007	1	TUBE ASSY
18	9130-3008	1	TUBE ASSY

Item	Part No.	Qty.	Description Of Part
19	8866-2019	2	CONNECTOR, (includes item 20)
20	8859-1206	2	O-RING
21		Ref	MAIN CONTROL VALVE, (see page 10-6 for details)
* 22	7713-3177	1	HEX HD CAPSCREW, 5/16-18X1-3/8, GR5
23	9105-3426	1	CONNECTOR
24	8866-2105	1	ELBOW, 90 DEGREE, (swivel nut)
25	9130-1019	1	CYLINDER PIN
26	9108-1313	2	KEEPER PLATE
27	8855-1013	4	LOCKWASHER, 1/2
28	8820-1065	4	HEX HD CAPSCREW, 1/2-13X1, GR5
29		Ref	GREASE FITTING, (see page 10-4 for details)
30	8871-1210	2	PIPE COUPLING, 1/8
31	8870-1023	2	PIPE NIPPLE, 1/8X3
32	8871-1100	2	STREET ELBOW, 90 DEGREE, 1/8
33	7713-3168	2	CLAMP SET
34	7713-3140	2	COVER PLATE
35	7713-3177	2	HEX HD CAPSCREW, 5/16-18X1-3/8
36	9108-3216	2	CLAMP SET
37	9108-1432	1	CYLINDER PIN

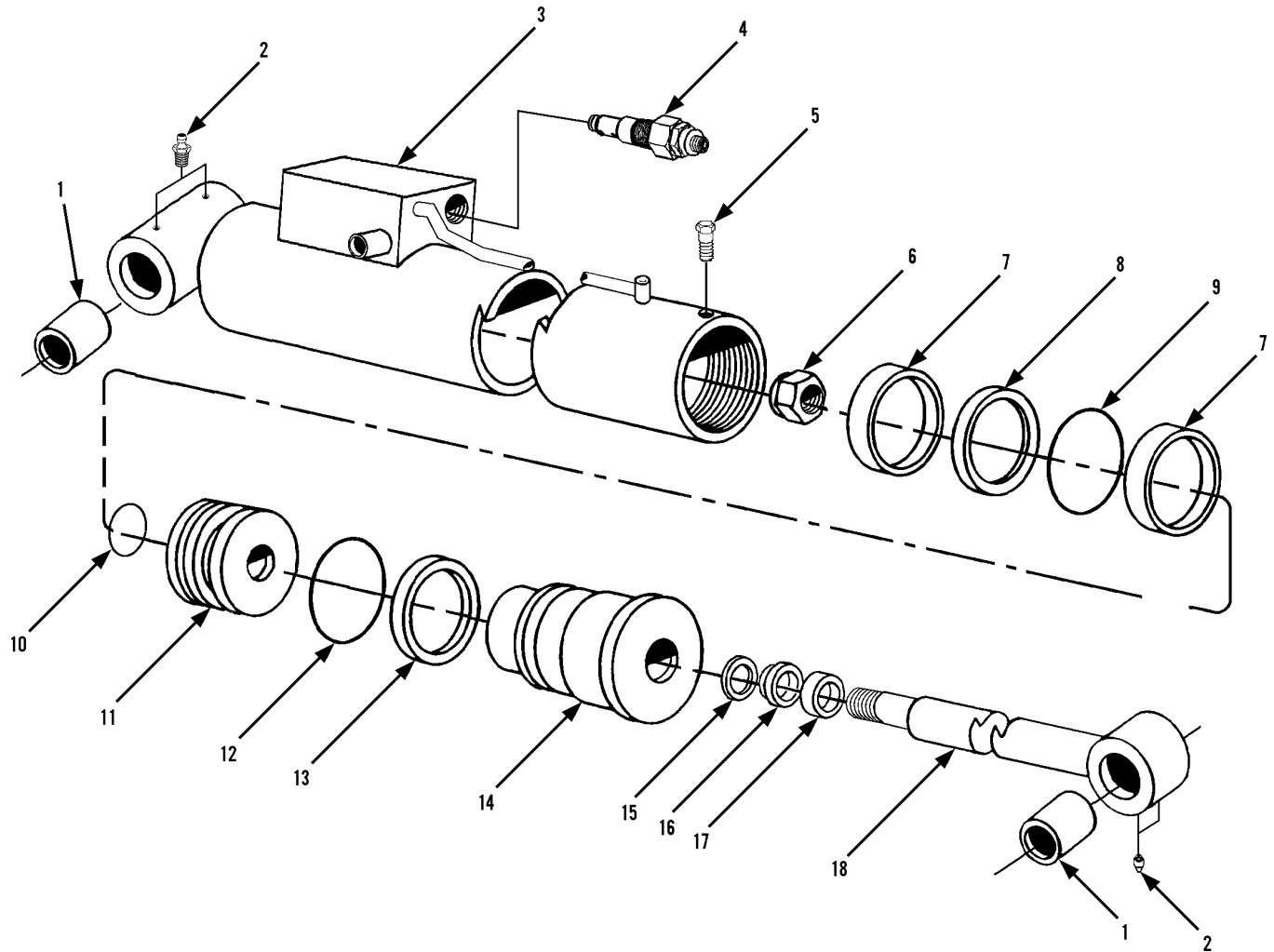


Item	Part No.	Qty.	Description Of Part	Item	Part No.	Qty.	Description Of Part
1		Ref	STEERING CYLINDER, (see page 10-5 for details)	20	8859-1205	4	O-RING
2	8471-9646	1	HOSE ASSY	21	8866-2018	1	CONNECTOR, (includes item 20)
3	8866-2240	2	SWIVEL NUT RUN TEE, 1/2 TUBE	22	8471-9647	1	HOSE ASSY
4	8866-2026	2	CONNECTOR, (includes o-ring)	23	8866-2065	1	ELBOW, 90 DEGREE, (includes item 20)
5	8471-8189	2	HOSE ASSY	24	9148-3021	1	L.H. TUBE ASSY
6	8866-2064	2	ELBOW, 90 DEGREE, (includes item 7)	25	8471-9042	1	HOSE ASSY
7	8859-1204	4	O-RING	26	8866-2105	1	ELBOW, 90 DEGREE, (swivel nut)
8		Ref	PRIORITY FLOW CONTROL VALVE, (see page 10-8 for details)	27	7713-3499	4	HEX HD CAPSCREW, 1/4-20X1-5/16
9	8866-2019	1	CONNECTOR, (includes item 10)	28	9002-2042	2	HOSE ASSY
10	8859-1206	1	O-RING	29	7713-3498	2	COVER PLATE
11	8471-7854	1	HOSE ASSY	30	9121-3002	1	CLAMP SET
12	8866-2062	1	ELBOW, 90 DEGREE, (includes item 13)	31	7732-3029	2	CLAMP SET
13	8859-1202	2	O-RING	32	8820-1023	2	HEX HD CAPSCREW, 5/16-18X1-3/4
14	8471-8439	1	HOSE ASSY	33	7713-3306	1	STACK BOLT
15	8866-2062	1	ELBOW, 90 DEGREE, (includes item 13)	34	7713-3390	1	SAFETY CLIP
16	9148-3022	1	R.H. TUBE ASSY	35	7713-3137	2	COVER PLATE
17		Ref	STEERING CONTROL UNIT, (see page 7-3 for details)	36	7713-3893	1	CLAMP SET
18		Ref	STEERING COLUMN, (see page 7-3 for details)	37	7713-3052	3	COVER PLATE
19	8866-2006	2	CONNECTOR, (includes item 20)	38	7713-3209	6	HEX HD CAPSCREW, 1/4-20X1-3/8
				39	7713-3073	2	CLAMP SET
				40	9103-3138	2	CLAMP SET
				41	8594-1016	2	SUPPORT CLAMP
				42	8855-1010	2	LOCKWASHER, 5/16
				43	8850-1005	2	HEX NUT, 5/16-18

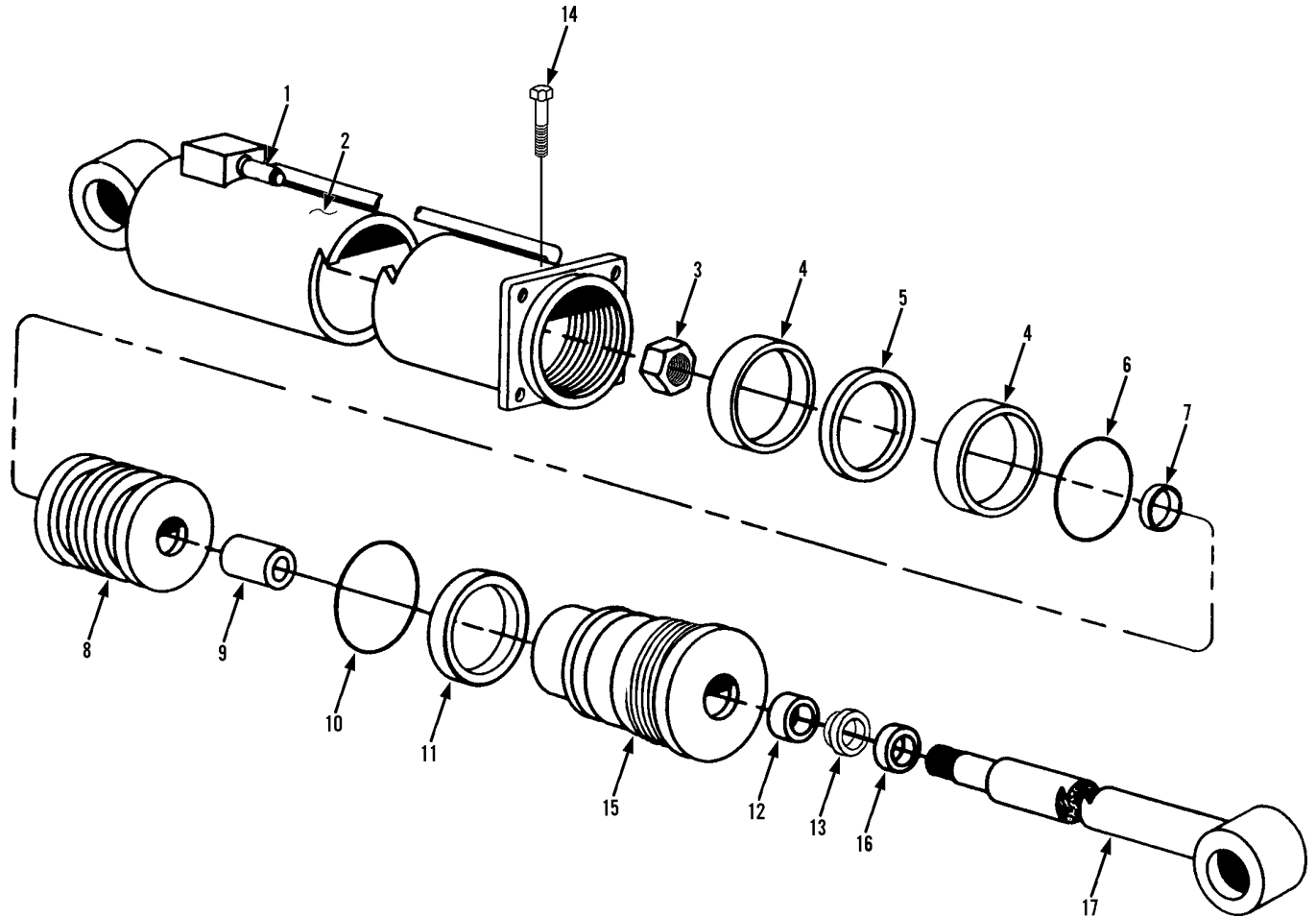


Item	Part No.	Qty.	Description Of Part
1	8826-1017	4	SOCKET BUTTON HD CAPSCREW, 1/4-20X7/8, GR5
2	8852-1304	4	LOCKNUT, 1/4-20
3		Ref	JOYSTICK ASSY, (see page 10-17 for details)
4	8859-1204	10	O-RING
5	8866-2005	10	CONNECTOR, (includes item 4)
6	8471-7458	2	HOSE ASSY
7	8471-7519	2	HOSE ASSY
8	8471-8736	1	HOSE ASSY

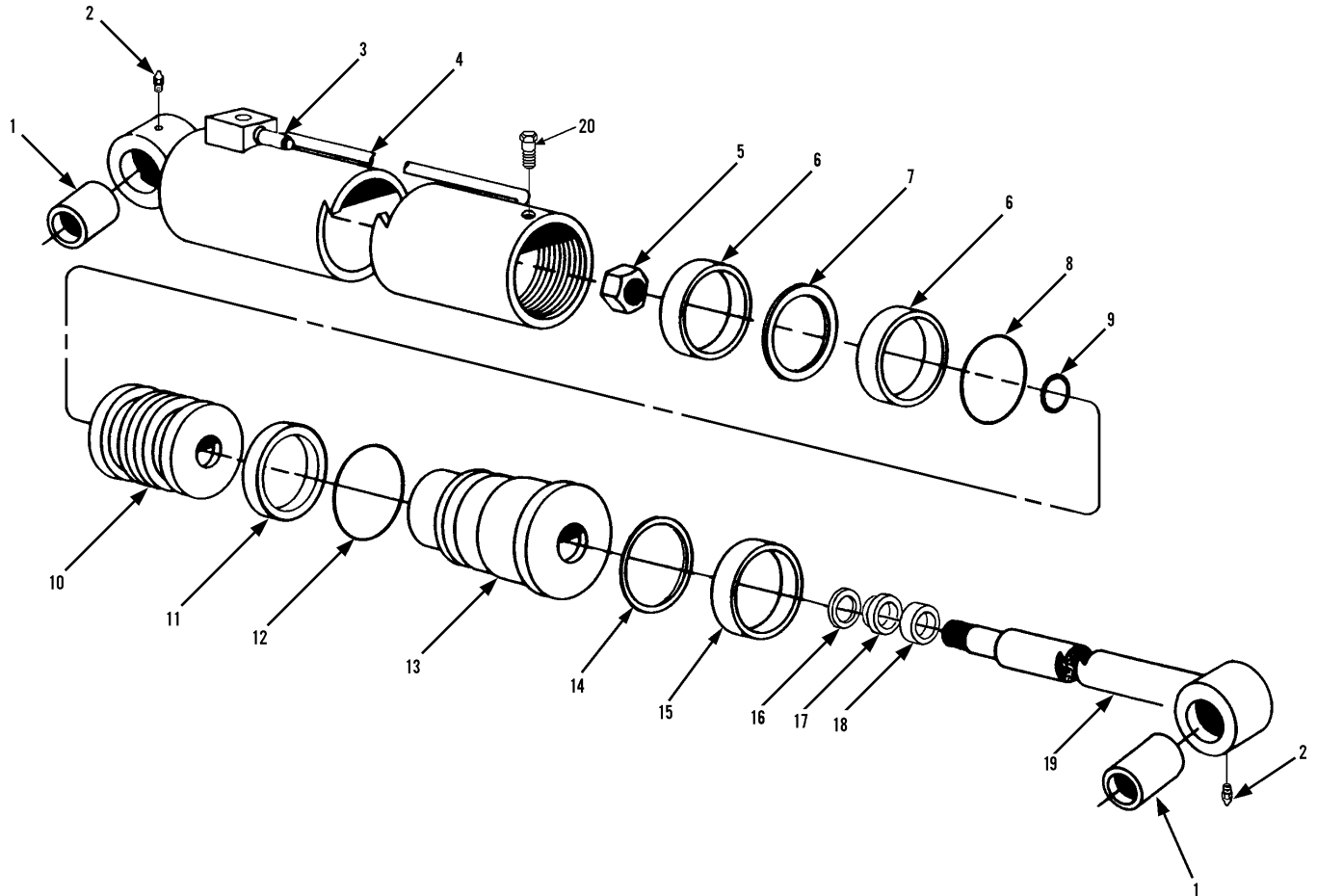
Item	Part No.	Qty.	Description Of Part
9	8471-8735	1	HOSE ASSY
10	9020-6199	AR	TRIM LOK
11	7714-3003	2	WHIZ SCREW, 5/16-18X5/8
12	9136-3002	1	JOYSTICK COVER
13	8096-3060	1	WEATHER PACK SHROUD
14	8096-3069	3	MALE PIN TERMINAL
15	9114-3187	3	CABLE SEAL
16		Ref	MAIN CONTROL VALVE, (see page 10-6 for details)



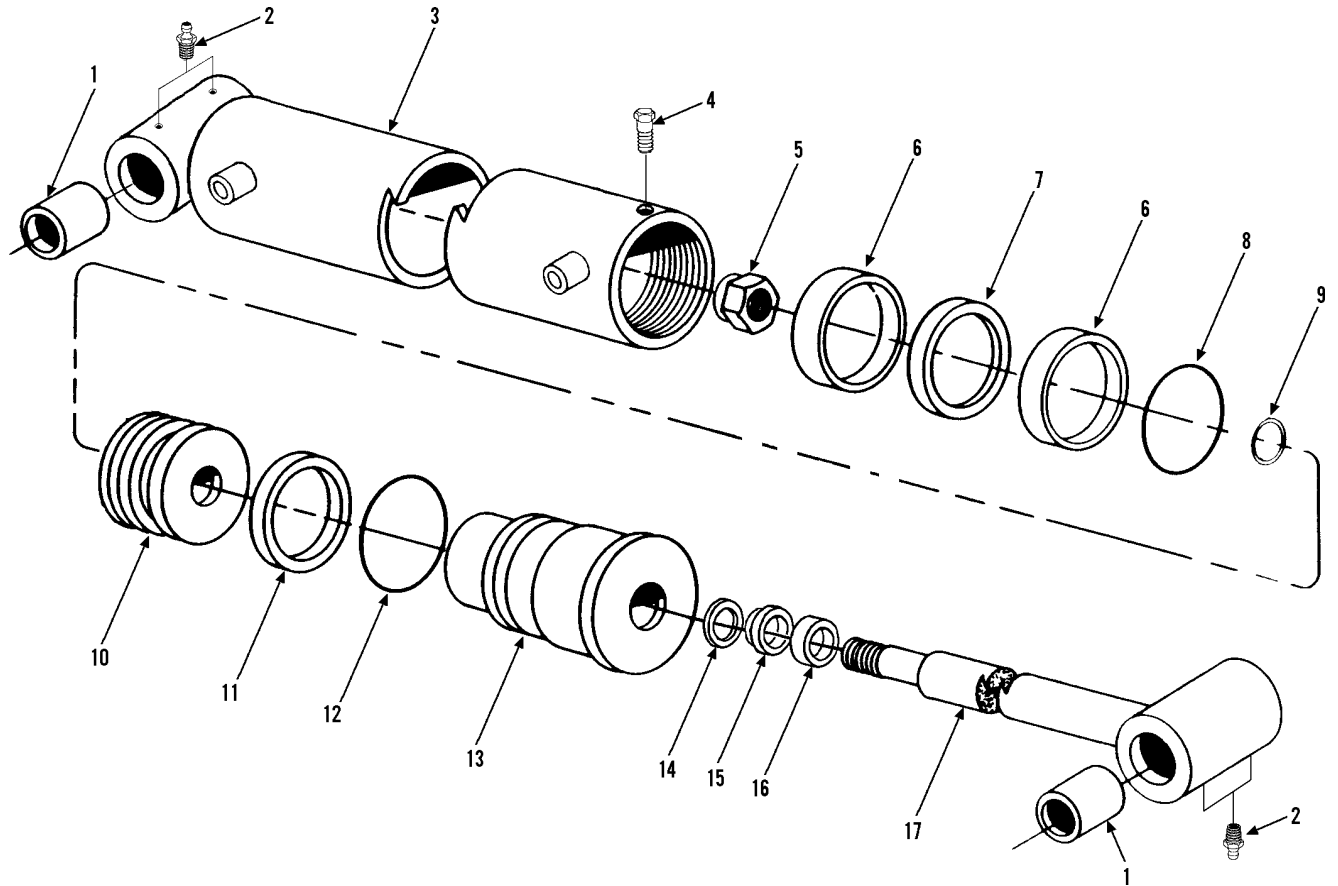
Item	Part No.	Qty.	Description Of Part	Item	Part No.	Qty.	Description Of Part
	9148-3025	1	LIFT CYLINDER ASSY, (includes all items)	9		1	O-RING
	9112-4071	1	SEAL KIT, (includes items 7 thru 10, 12, 13 & 15 thru 17)	10		1	O-RING
1	9108-3304	4	BUSHING	11	9112-4073	1	PISTON
2	9114-4128	4	GREASE FITTING	12		1	O-RING
3	9148-4011	1	CASE ASSY	13		1	BACK-UPRING
4	9108-3473	1	COUNTERBALANCE VALVE	14	9112-4074	1	CYLINDER HEAD
	9103-4276	1	COUNTERBALANCE VALVE SEAL KIT	15		1	STEP SEAL
5	9112-4096	1	CAPSCREW, #10-24	16		1	U-CUP
6	9103-4153	1	LOCKNUT, (lubricate & torque to 1400-1500 ft-lbs)	17		1	WIPER
7		2	WEAR RING	18	9148-4012	1	SHAFT ASSY
8		1	PISTON SEAL				NOTE: ONLY ITEMS WITH PART NUMBERS ARE AVAILABLE FOR SERVICE.



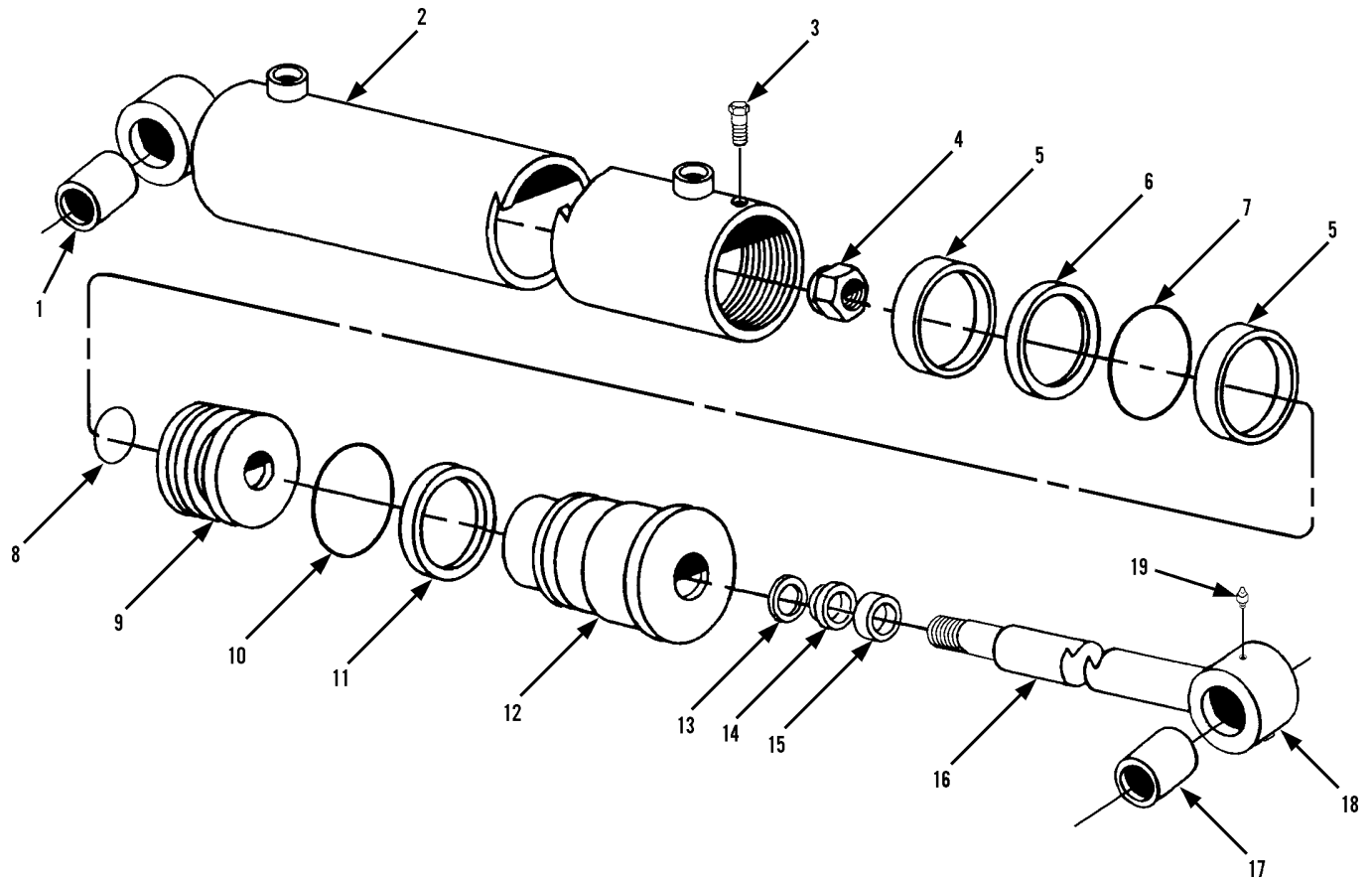
Item	Part No.	Qty.	Description Of Part
	9108-3468	1	CROWD CYLINDER, (includes all items)
	9108-4306	Ref	SEAL KIT, (includes items 4 thru 7, 11 thru 13 & 16)
1	9108-4347	1	COUNTERBALANCE VALVE
2	9108-4348	1	CASE ASSY
3	9103-4267	1	LOCKNUT, (torque to 350-400 ft-lbs)
4		2	WEAR RING
5		1	PISTON SEAL
6		1	O-RING
7		1	O-RING
8	9108-4368	1	PISTON
9	9108-4369	1	SPACER
10	9116-4023	1	O-RING
11		1	BACKUP
12		1	STEP SEAL
13		1	U-CUP
14	9112-4096	1	SELF TAPPING SCREW
15	9108-4351	1	HEAD
16		1	WIPER
17	9108-4352	1	SHAFT ASSY
			NOTE: ONLY ITEMS WITH PART NUMBERS ARE AVAILABLE FOR SERVICE.



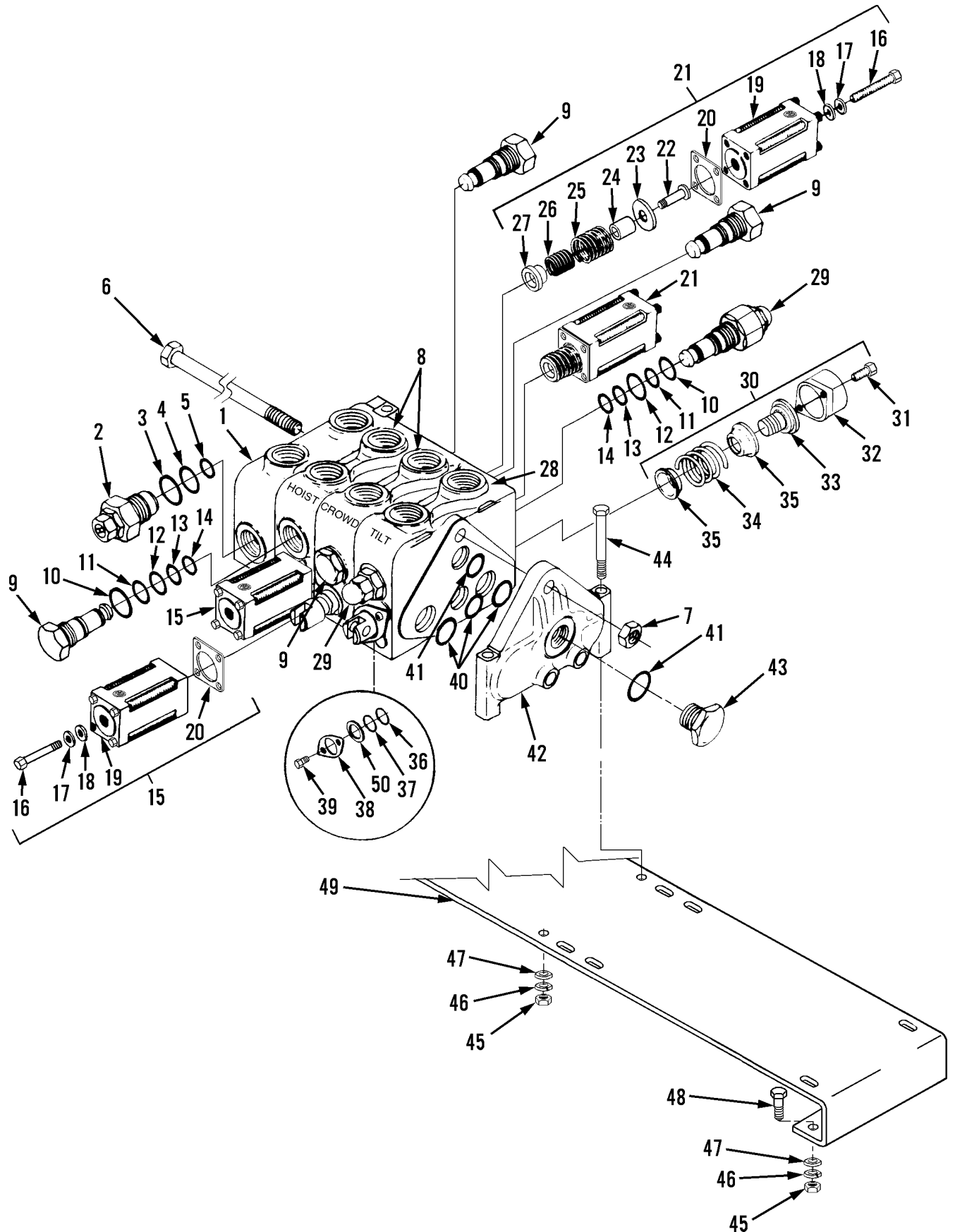
Item	Part No.	Qty.	Description Of Part	Item	Part No.	Qty.	Description Of Part
	9108-3513	1	TILT CYLINDER ASSY, (includes all items)	11		1	BACK-UP RING
	9108-4370	1	SEAL KIT, (includes items 6 thru 9, 11, 12 & 16 thru 18)	12		1	O-RING
* 1	9140-4352	2	BUSHING	13	9108-4371	1	GLAND
2	9114-4128	2	GREASE FITTING	14	9108-4372	1	SNAP RING
3	9108-3473	1	COUNTERBALANCE VALVE	15	9108-4373	1	WEAR RING
	9103-4276	1	COUNTERBALANCE VALVE SEAL KIT	16		1	STEP SEAL
4	9112-4076	1	CASE ASSY	17		1	U-CUP
5	9106-4017	1	LOCKNUT, (torque to 650-750 ft.lbs.)	18		1	WIPER
6		2	WEAR RING	19	9112-4078	1	SHAFT ASSY
7		1	SEAL	20	9112-4096	1	SELF TAPPING SCREW, #10-24
8		1	O-RING				NOTE: ONLY ITEMS WITH PART NUMBERS ARE AVAILABLE FOR SERVICE.
9		1	O-RING				
10	9104-4274	1	PISTON				



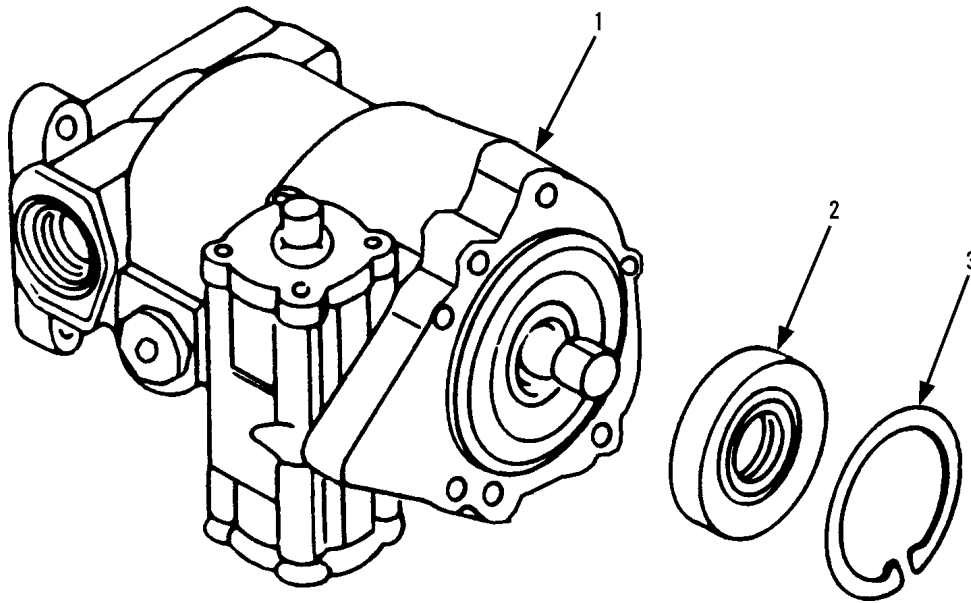
Item	Part No.	Qty.	Description Of Part	Item	Part No.	Qty.	Description Of Part
	9108-3470	1	COMPENSATING CYLINDER ASSY, (includes all items)	9		1	O-RING
	9103-4339	1	SEAL KIT, (includes items 6 thru 9, 11, 12, & 14 thru 16)	10	9103-4139	1	PISTON
1	9108-3304	4	BUSHING	11		1	BACK-UP RING
2	9114-4128	4	GREASE FITTING	12		1	O-RING
3	9112-4079	1	CASE ASSY	13	9112-4081	1	CYLINDER HEAD
4	9112-4096	1	SELF TAPPING SCREW	14		1	STEP SEAL
5	9103-4153	1	LOCKNUT, (lubricate & torque to 1175-1275 ft.lbs.)	15		1	U-CUP
6		2	WEAR RING	16		1	WIPER
7		1	PISTON SEAL	17	9112-4082	1	ROD ASSY
8		1	O-RING				NOTE: ONLY ITEMS WITH PART NUMBERS ARE AVAILABLE FOR SERVICE.



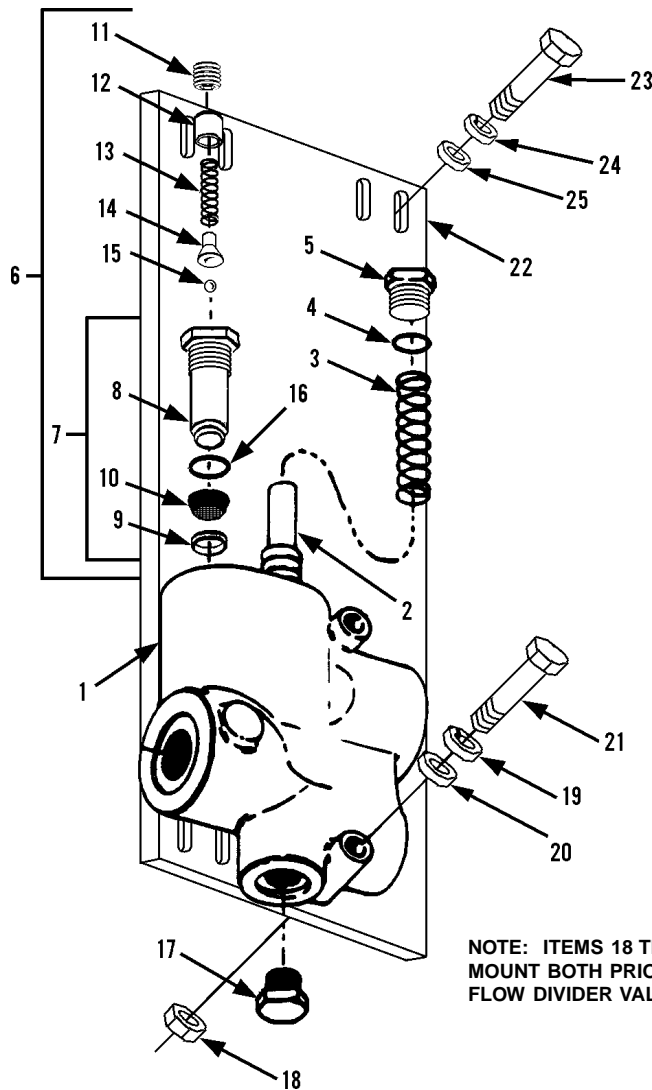
Item	Part No.	Qty.	Description Of Part	Item	Part No.	Qty.	Description Of Part
	9138-3075	2	STEERING CYLINDER ASSY, (includes all items)	11		1	BACK-UP RING
	9108-4305	1	SEAL KIT, (includes items 5 thru 8, 10, 11 & 13 thru 15)	12	9112-4090	1	CYLINDER HEAD
1	9112-4087	1	BUSHING	13		1	STEP SEAL
2	9112-4088	1	CASE ASSY	14		1	U-CUP
3	9112-4096	1	SELF-TAPPING SCREW	15		1	WIPER
4	9120-4460	1	LOCKNUT, (torque to 350-370 ft lbs)	16	9112-4108	1	ROD ASSY
5		2	WEAR RING	17	9114-4042	1	BUSHING
6		1	PISTON SEAL	18	9114-4128	1	GREASE FITTING
7		1	O-RING	19		1	HEX HD PLUG, 1/8-27 NPT, (torque to 10-20 ft lbs)
8		1	O-RING				NOTE: ONLY ITEMS WITH PART NUMBERS ARE AVAILABLE FOR SERVICE.
9	9112-4089	1	PISTON				
10		1	O-RING				



Item	Part No.	Qty.	Description Of Part	Item	Part No.	Qty.	Description Of Part
	9148-3012	1	MAIN HYDRAULIC CONTROL VALVE ASSY, (includes all items except 44 thru 49)	21	9140-4185	2	HYDRAULIC REMOTE POSITIONER, (includes items 16 thru 20 & 22 thru 27)
	9108-4203	1	STUD KIT, (includes items 6 & 7)	22		1	SPUD POSITIONER
	9140-4178	4	SECTION SEAL KIT, (includes items 40 & 41)	23		1	WASHER
	9140-4179	1	MAIN RELIEF SEAL KIT, (includes items 3, 4, & 5)	24		1	STOP SLEEVE
	9108-4201	6	PLUG SEAL KIT, (includes items 10 thru 14)	25		1	SPRING, (large)
	9140-4180	1	SEAL RETAINER KIT, (includes items 38 & 39)	26		1	SPRING, (small)
	9140-4181	2	SPOOL SEAL KIT, (includes items 36 & 37)	27		1	STOP COLLAR
1	9108-4008	1	INLET COVER ASSY, (includes item 2)	28	9108-4012	1	VALVE SECTION ASSY, (Tilt), (includes items 29 & 30)
2	9108-4009	1	MAIN RELIEF CARTRIDGE, (includes items 3, 4 & 5)	29	9108-4199	2	RELIEF CARTRIDGE, (includes items 10 thru 14)
3		1	O-RING	30	9140-4190	2	SPOOL POSITIONER ASSY, (includes items 31 thru 35)
4		1	BACK UP RING	31		2	SCREW
5		1	O-RING	32		1	BONNET
6		3	HEX HD CAPSCREW	33		1	SPOOL SPUD
7		3	HEX NUT	34		1	SPRING
8	9108-4277	2	VALVE SECTION ASSY, (Hoist & Crowd), (includes item 9, 15 & 21)	35		2	SPRING COLLAR
9	9140-4183	4	LOAD CHECK PLUG, (includes items 10 thru 14)	36		1	BACK UP WASHER
10		2	O-RING	37		1	O-RING
11		1	BACK UP RING	38		1	RETAINER PLATE
12		1	O-RING	39		2	SCREW
13		1	O-RING	40		3	O-RING
14		2	BACK UP RING	41		2	O-RING
15	9140-4184	2	HYDRAULIC REMOTE POSITIONER, (includes items 16 thru 20)	42	9108-4278	1	OUTLET COVER ASSY, (includes item 43)
16		4	SCREW	43	9108-4279	1	PLUG
17		4	LOCKWASHER	44	8820-1028	3	HEX HD CAPSCREW, 5/16-18X3, GR5
18		4	BEARING PLATE	45	8850-1005	7	HEX NUT, 5/16-18
19		1	BONNET	46	8855-1010	7	LOCKWASHER, 5/16
20		1	SEAL	47	8856-1003	7	FLAT WASHER, 5/16
				48	8820-1020	4	HEX HD CAPSCREW, 5/16-18X1
				49	9138-1009	1	VALVE SUPPORT, (partially illustrated)
				50	9140-4214	1	SEAL RETAINER
							NOTE: ONLY ITEMS WITH PART NUMBERS ARE AVAILABLE FOR SERVICE.

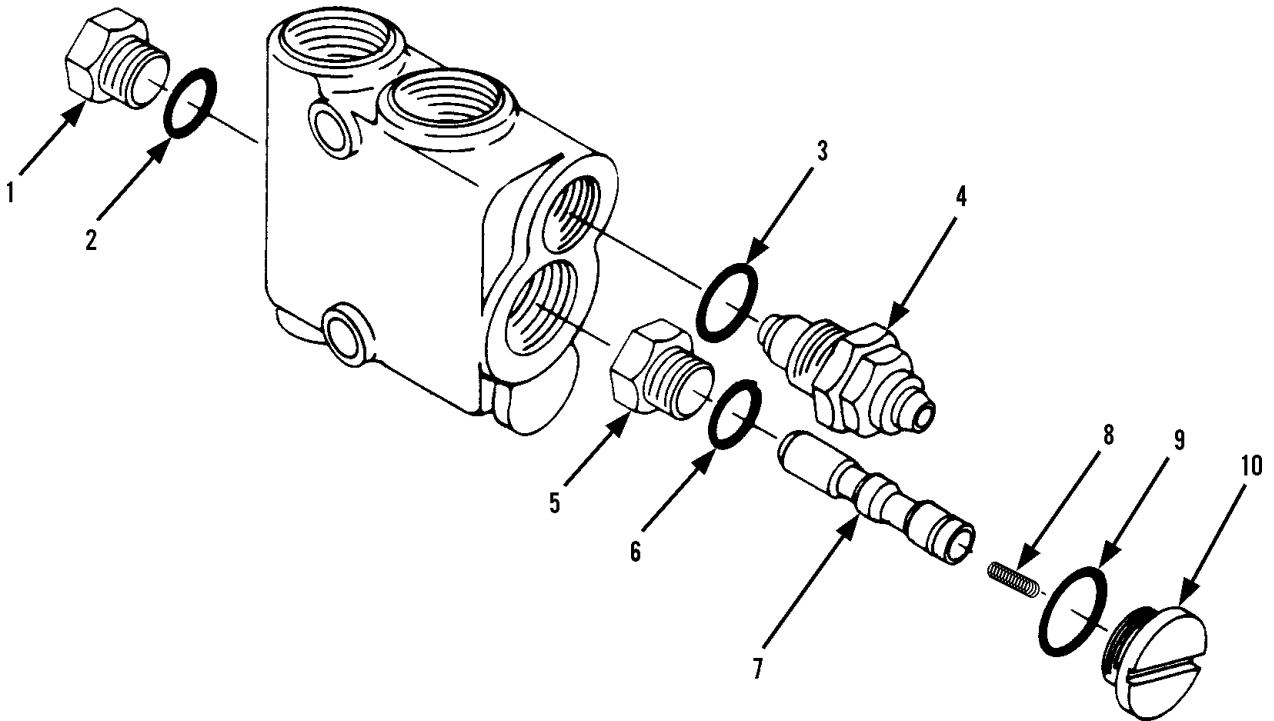


Item	Part No.	Qty.	Description Of Part
1	9138-3076	1	REAR DRIVE MOTOR, (includes all items)
2	9108-4214	1	LIP SEAL
3	9108-4215	2	RETAINING RING



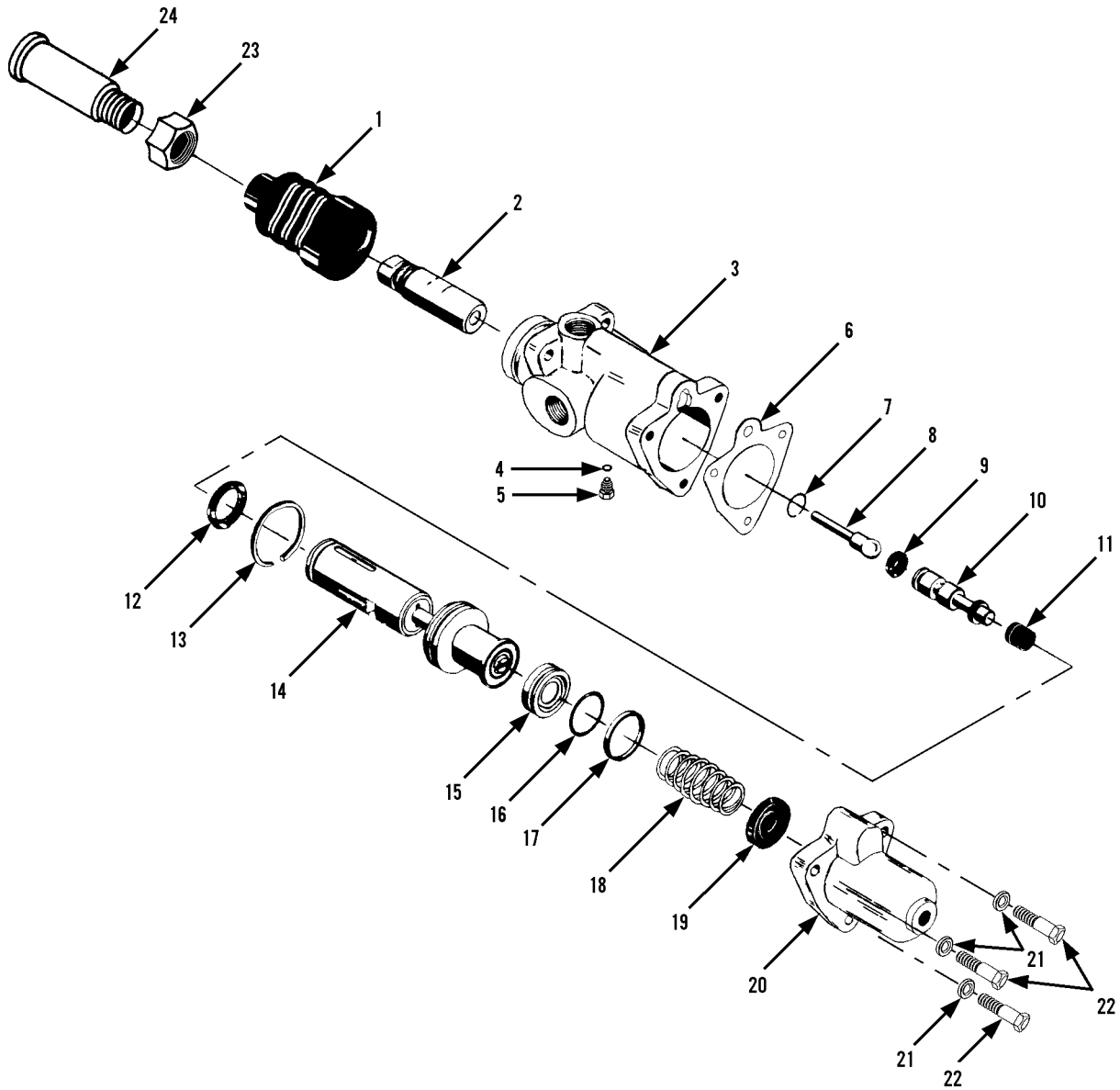
NOTE: ITEMS 18 THRU 20 INCLUDE QUANTITIES TO MOUNT BOTH PRIORITY FLOW CONTROL VALVE AND FLOW DIVIDER VALVE SHOWN ON PAGE 10-9.

Item	Part No.	Qty.	Description Of Part	Item	Part No.	Qty.	Description Of Part
	9103-3240	1	PRIORITY FLOW CONTROL VALVE, (includes items 1-17), (2500 PSI relief setting)	14		1	BALL HOLDER
1	9020-6548	1	HOUSING, (includes item 2)	15		1	BALL
2		1	SPOOL	16		1	O-RING
3		1	SPRING	17		1	PLUG
4		1	O-RING	18	8850-1005	4	HEX NUT, 5/16-18
5		1	PLUG	19	8855-1010	4	LOCKWASHER, 5/16
6	9020-6553	1	RELIEF CARTRIDGE, (includes items 7 thru 16)	20	8856-1003	4	FLAT WASHER, 5/16
7		1	RELIEF VALVE SUBBODY, (includes items 8 thru 10)	21	8820-1030	2	HEX HD CAPSCREW, 5/16-18X3-1/2, GR5
8		1	BODY	22	9112-1264	1	BRACKET
9		1	RING	23	8820-1003	4	HEX HD CAPSCREW, 1/4-20X3/4, GR5
10		1	SCREEN	24	8856-1001	4	FLAT WASHER, 3/16
11		1	RELIEF VALVE ADJUSTING SCREW	25	8855-1009	4	LOCKWASHER, 1/4
12		1	SPRING GUIDE				NOTE: ONLY ITEMS WITH PART NUMBERS ARE AVAILABLE FOR SERVICE.
13		1	SPRING				

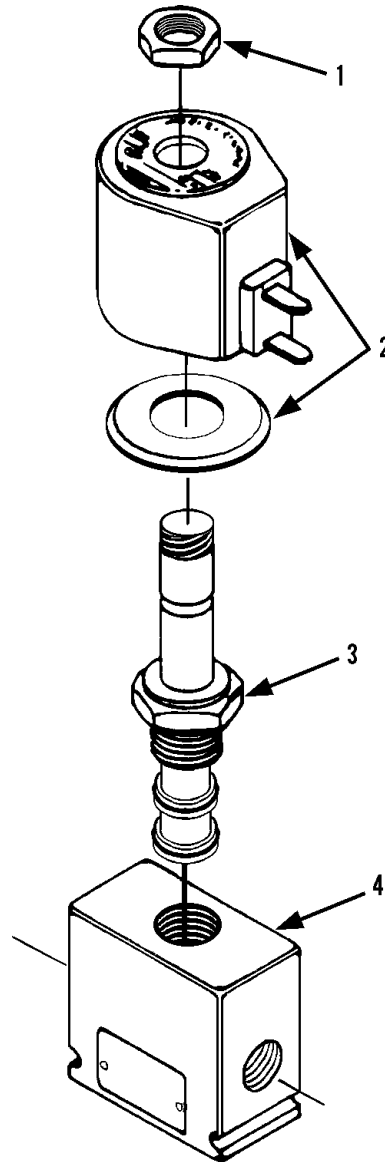


NOTE: SEE PAGE 10-8 ITEMS 18 THRU 20 FOR MOUNTING HARDWARE.

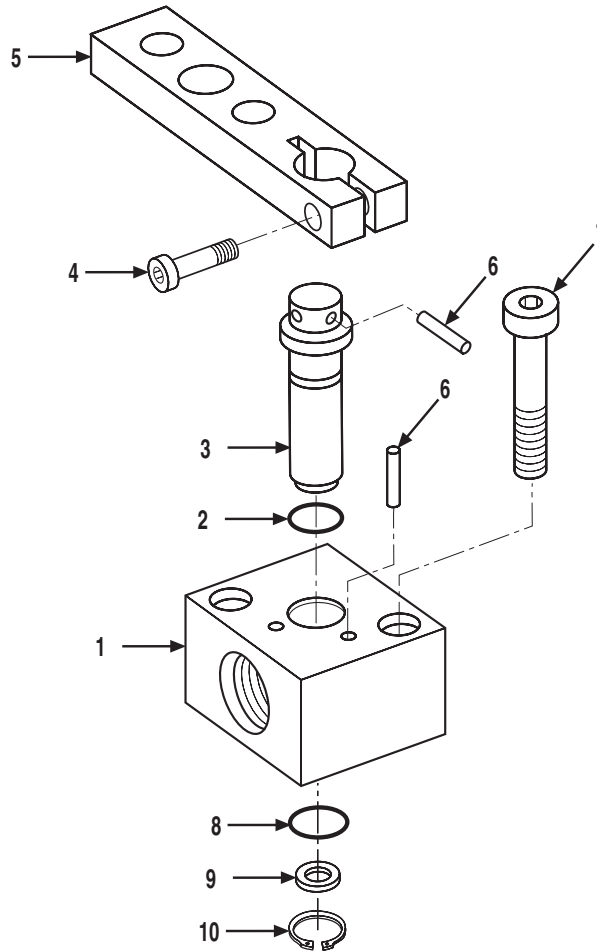
Item	Part No.	Qty.	Description Of Part
	9108-3521	1	FLOW DIVIDER VALVE - 625 PSI, (includes all items)
	9108-4386	1	SEAL KIT, (includes items 2, 3, 6, & 9)
1	9108-4157	1	PLUG
2	9108-4161	1	O-RING
3		1	O-RING
4	9108-4159	1	RELIEF, (includes item 3)
5	9108-4387	1	ORIFICE PLUG
6	9108-4388	1	O-RING
7	9108-4155	1	SPOOL
8	9108-4156	1	SPRING
9	9108-4158	1	O-RING
10	9108-4160	1	PLUG
11	8820-1029	2	HEX HD CAPSCREW, 5/16-18X3-1/4, GR5, (item not shown; for mounting)
			NOTE: ONLY ITEMS WITH PART NUMBERS ARE AVAILABLE FOR SERVICE.



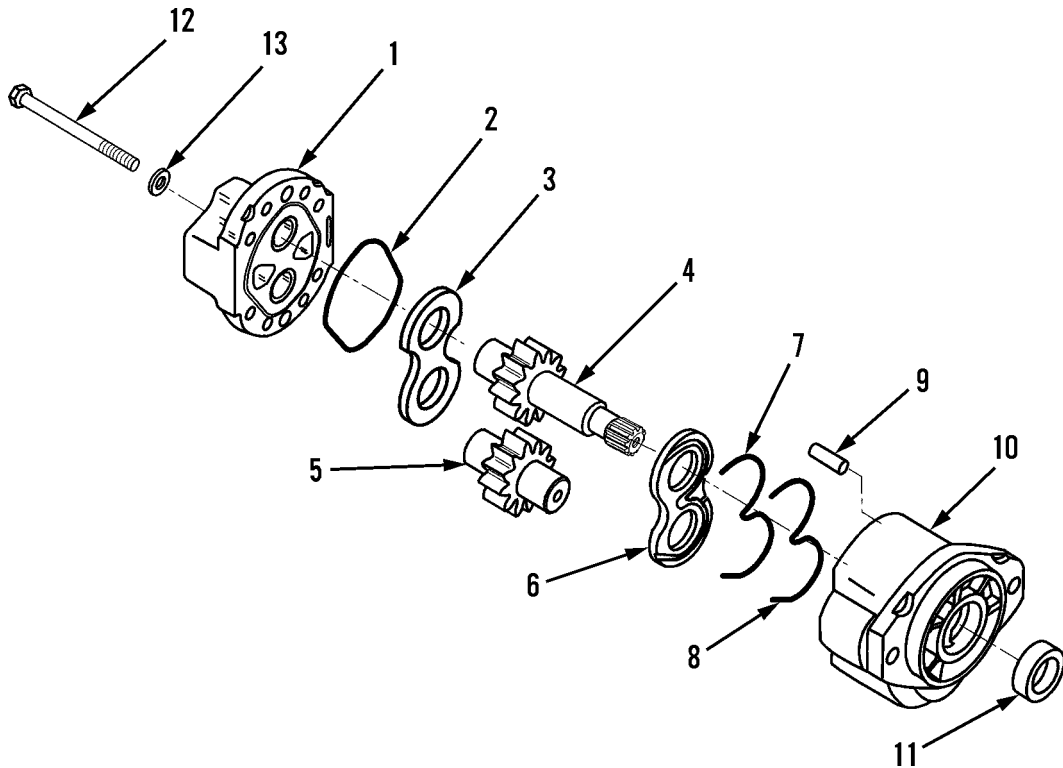
Item	Part No.	Qty.	Description Of Part	Item	Part No.	Qty.	Description Of Part
	9114-3201	1	POWER BRAKE VALVE, (includes items 1 thru 22)	13		1	PISTON RING
	9108-4043	1	REPAIR KIT, (includes items 1, 4, 6, 9, 12, 13, 15, 16, 17, & 19)	14		1	SLEEVE & PISTON ASSY
1	9108-4042	1	BOOT	15		1	PISTON & POPPET ASSY
2		1	PRESSURE REGULATING SPRING ASSY	16		1	O-RING
3		1	HOUSING	17		1	RING SEAL
4		1	O-RING	18		1	SPRING
5		1	CAPSCREW	19		1	RESIDUAL VALVE
6		1	GASKET	20		1	END CAP
7		1	RETAINING RING	21		3	LOCKWASHER
8		1	PUSH ROD	22		3	HEX HD CAPSCREW, (torque to 16-18 ft.lbs.)
9		1	CUP	23	8850-1408	1	HEX JAM NUT, 1/2-20
10		1	SPOOL	24	9108-1445	1	PUSH ROD
11		1	SPRING				NOTE: ONLY ITEMS WITH PART NUMBERS ARE AVAILABLE FOR SERVICE.
12		1	CUP				



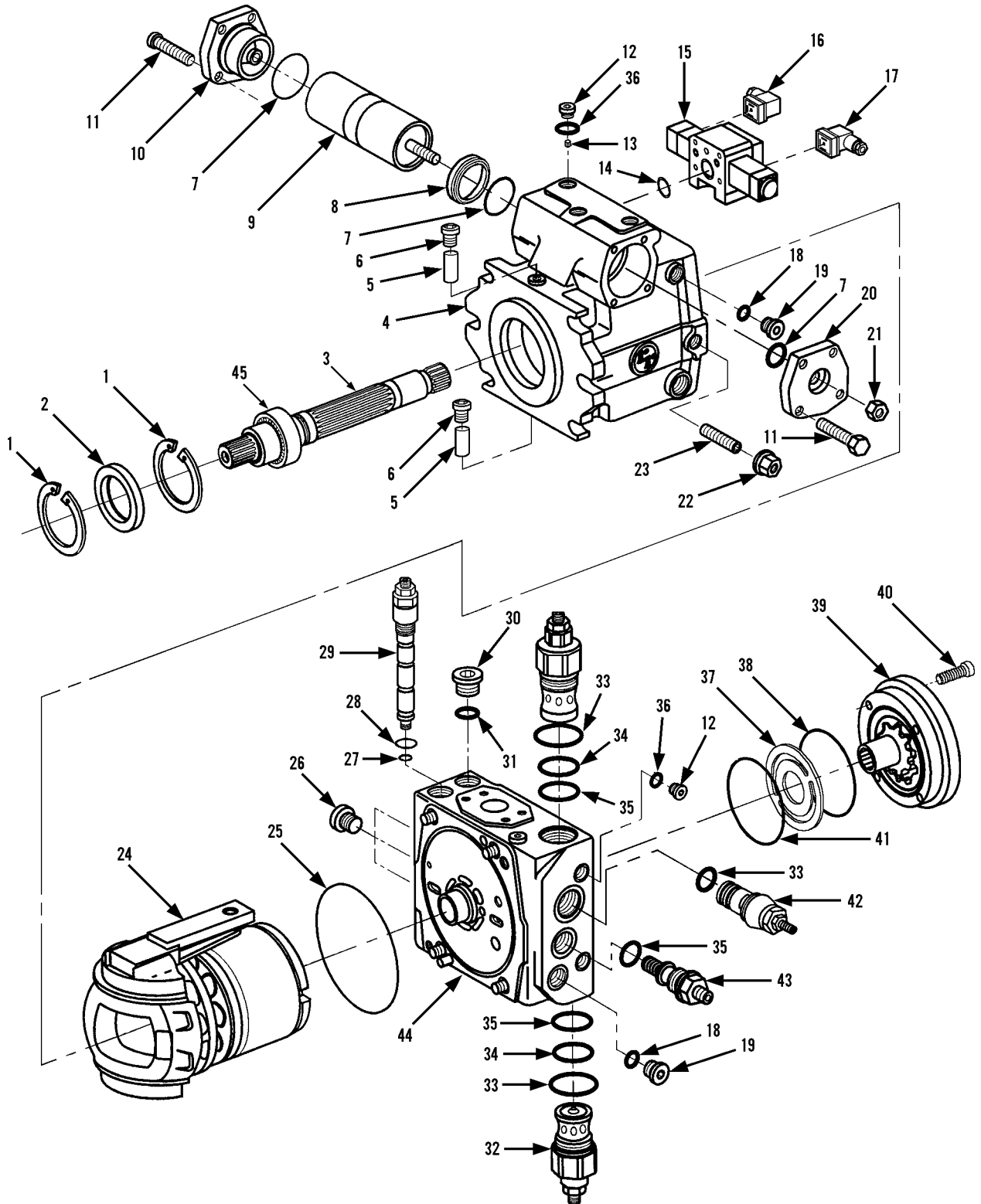
Item	Part No.	Qty.	Description Of Part
	9104-3446	1	3-WAY SOLENOID VALVE, (includes all items)
1	8093-4036	1	NUT
2	9114-4158	1	COIL
3	8093-4038	1	CORE ASSY, (3-way, 2-position)
4	8093-4035	1	VALVE BODY



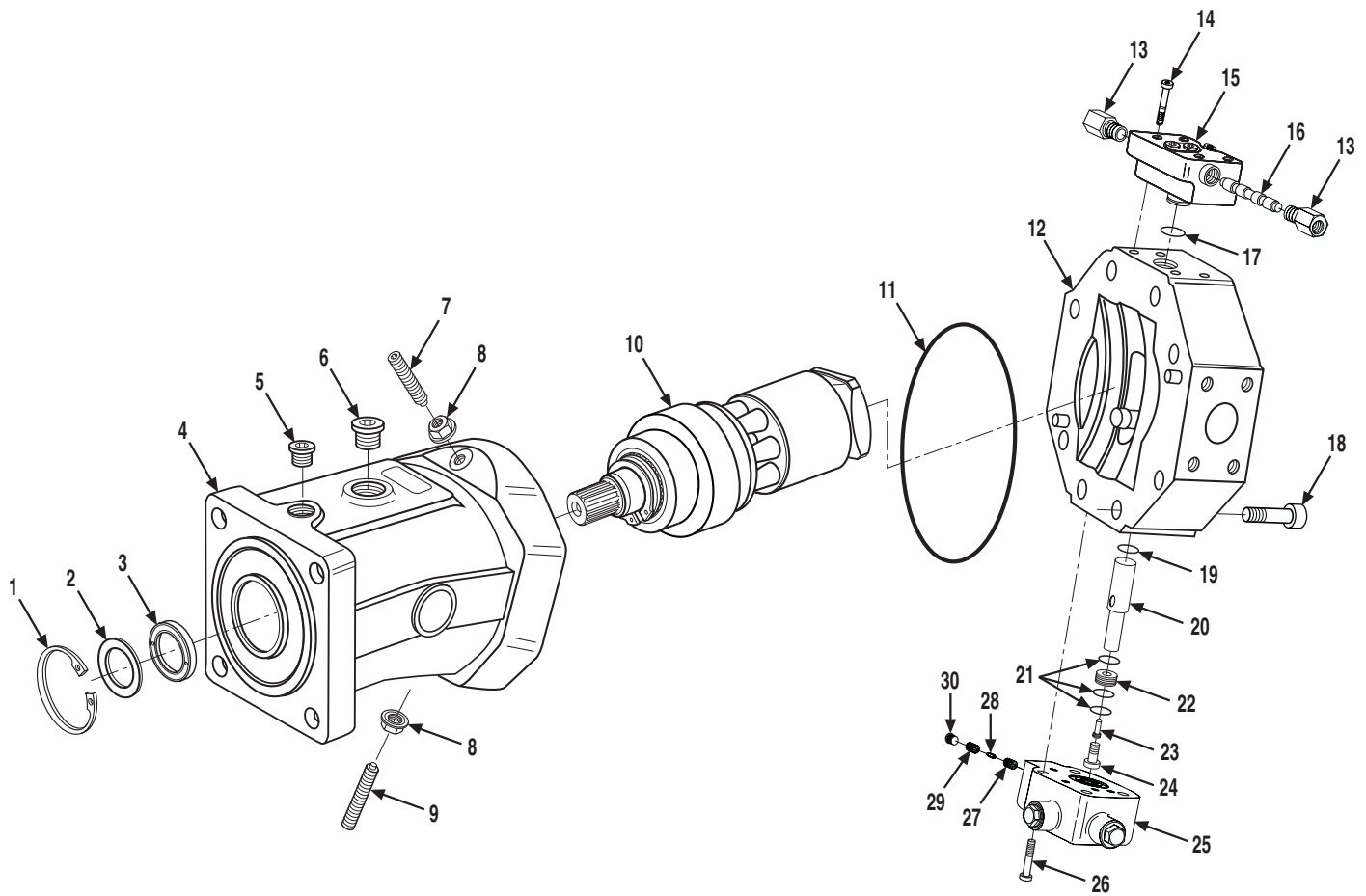
Item	Part No.	Qty.	Description Of Part
	9114-3372	Ref	INCHING VALVE, (includes all items)
	9114-4459	AR	SEAL KIT, (includes items 2, 5, 7, & 8)
1	9114-4460	1	INCHING DEVICE, (includes all items except one of item 6)
2		1	O-RING
3	9114-4462	1	SHAFT
4	9114-4463	1	CAPSCREW, M5X20
5	9114-4464	1	LEVER
6	9114-4465	3	PIN
7	9114-4466	2	CAPSCREW, M8X30
8		1	O-RING
9	9114-4461	1	SHIM
10	9114-4467	1	SNAP RING
			NOTE: ONLY ITEMS WITH PART NUMBERS ARE AVAILABLE FOR SERVICE.



Item	Part No.	Qty.	Description Of Part
	9108-3296	1	MAIN HYDRAULIC PUMP, (includes all items)
	9108-4218	1	SEAL KIT, (includes items 2, 3, 6, 7, 8, & 11)
1	9108-4144	1	REAR COVER
2	9108-4137	1	SEAL
3	9108-4138	1	THRUST PLATE
4	9108-4375	1	DRIVE GEAR
5	9108-4145	1	DRIVEN GEAR
6	9108-4139	1	WEAR PLATE
7	9108-4140	1	SEAL
8	9108-4142	1	SEAL SPACER
9	9108-4143	2	DOWEL PIN
10	9108-4376	1	BODY
11	9108-4141	1	SHAFT SEAL
12	9108-4135	8	HEX HD CAPSCREW, 3/8-16X3-1/4
13	9108-4136	8	FLATWASHER

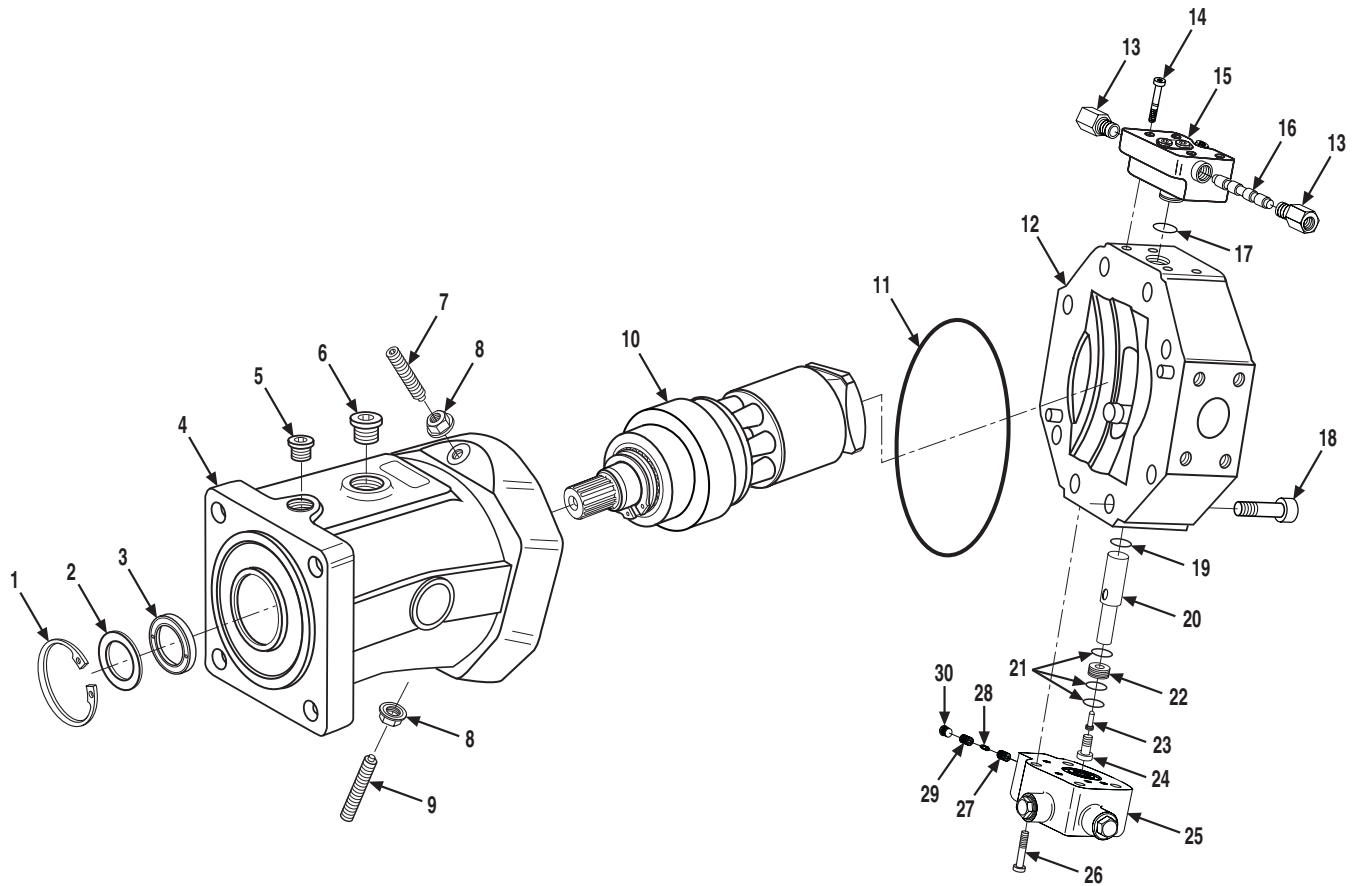


Item	Part No.	Qty.	Description Of Part	Item	Part No.	Qty.	Description Of Part
	9108-3499	1	HYDROSTATIC TRANSMISSION PUMP (includes all items)	23	9114-4095	1	ECCENTRIC SCREW
	9108-4317	AR	SEAL KIT (includes items 2, 6, 7, 14, 15, 22, 25, 27, 28, 31, 32, 33, 34, 35, 36, 38, 41 plus additional items not illustrated)	24	9108-4326	1	ROTARY GROUP ASSY
1	8093-4052	2	SNAP RING	25		1	O-RING
2	9108-4389	1	SHAFT SEAL	26	9108-4327	3	PLUG
3	9108-4318	1	SHAFT ASSY	27		1	O-RING
4	9108-4319	1	HOUSING ASSY	28		1	O-RING
5	9108-4320	2	PIN	29	9108-4328	1	POR ASSY (includes items 27 & 28)
6		4	PLUG	30	8093-4340	1	PLUG (includes item 31)
7		4	O-RING	31		1	O-RING
8	9108-4321	2	BUSHING	32	9108-4032	2	RELIEF VALVE (includes one each of items 33 thru 35)
9	9108-4322	1	STROKING PISTON ASSY	33		3	O-RING
10	9108-4323	1	STROKING PISTON COVER KIT (includes items 7 & 11)	34		2	O-RING
11	8093-4077	8	CAPSCREW, M8X20	35		3	O-RING
12	8093-4084	5	PLUG (includes item 36)	36		5	O-RING
13	9114-4093	2	STROKING ORIFICE	37	9108-4329	1	WEAR PLATE
14		1	O-RING	38		1	O-RING
15	9108-4324	1	DA CONTROL ASSY (includes items 16 & 17)	39	9108-4330	1	CHARGE PUMP ASSY (includes items 37, 38, 40 & 41)
16	9108-4038	1	HERSHMAN CONNECTOR (black)	40	9108-4331	4	CAPSCREW, M12X35
17	9108-4039	1	HERSHMAN CONNECTOR (gray)	41		1	O-RING
18		2	O-RING	42	9114-4099	1	DA CARTRIDGE ASSY
19	8093-4082	2	PLUG (includes item 18)	43	9114-4098	1	CHARGE PRESSURE RELIEF VALVE (includes item 35)
20	9108-4325	1	STROKING PISTON COVER KIT (includes items 7 & 11)	44	9108-4332	1	PORT BLOCK ASSY (includes items 25, 26, 27, 28 & 29)
21	9114-4094	1	JAM NUT	45	9108-4390	1	ROLLER BEARING
22		1	SEAL NUT				NOTE: ONLY ITEMS WITH PART NUMBERS ARE AVAILABLE FOR SERVICE.

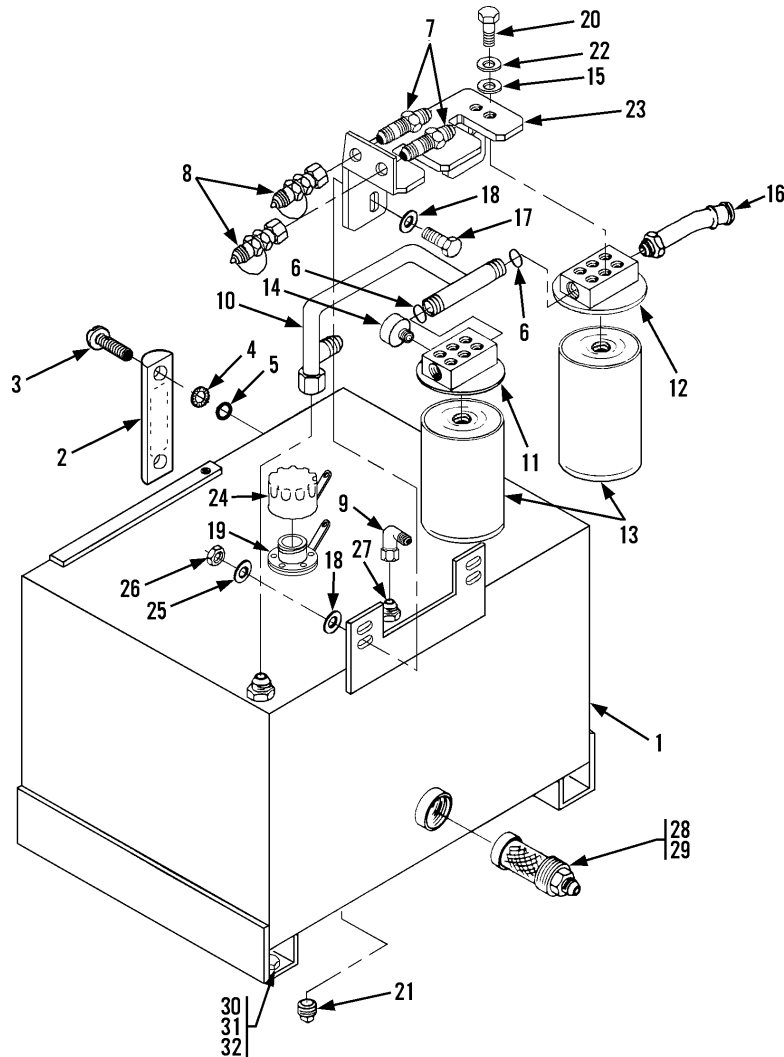


FOR OUR APPLICATION THIS DRIVE MOTOR IS UTILIZED IN A 180 DEGREE INVERSION.

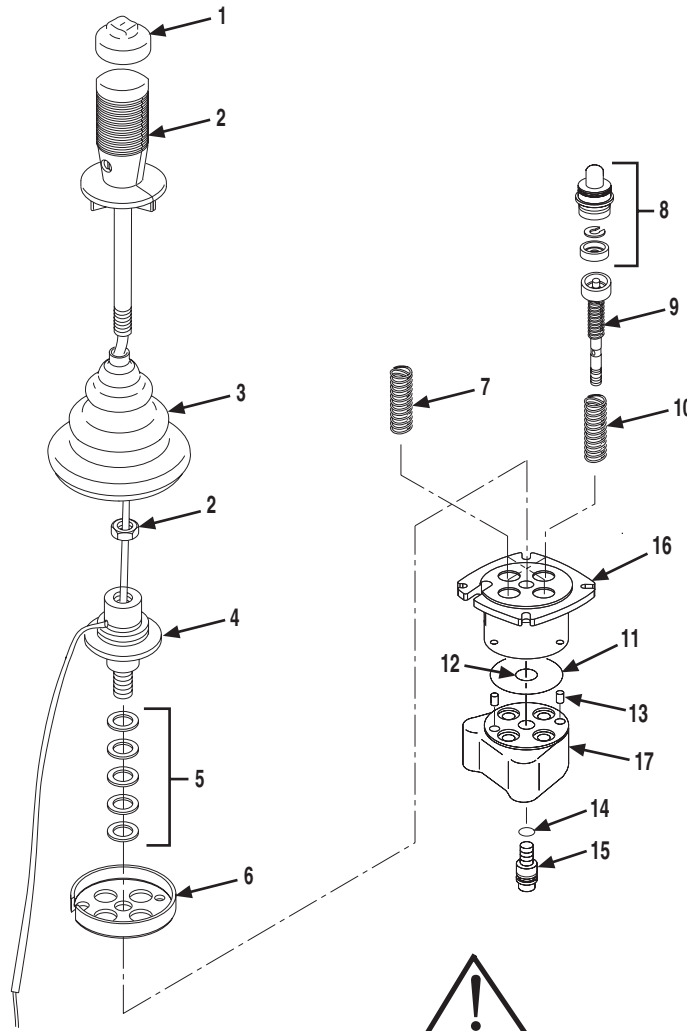
Item	Part No.	Qty.	Description Of Part	Item	Part No.	Qty.	Description Of Part
	9109-3016	1	FRONT DRIVE MOTOR ASSY, (includes all items)	17	8093-4080	4	CAPSCREW
	9109-4025	AR	SEAL KIT, (includes items 3, 4, 6, 9, 13, 14, 18, 20, 23)	18		1	SEAL NUT
1	9109-4026	1	SNAP RING	19	9109-4033	1	DA1 CONTROL KIT, (includes items 16, 17, 18 & 20)
2	9109-4027	1	SHIM	20		1	O-RING
3		1	SHAFT SEAL	21	9109-4034	1	REAR COVER ASSY, (includes item 22)
4		1	O-RING	22	9109-4035	8	CAPSCREW, M16x45
5	9109-4028	1	PLUG, (includes item 5)	23		1	O-RING
6		1	O-RING	24	9116-4017	1	FLUSHING VALVE ASSY, (includes items 23, 25, 26, 27 & 29)
7	9109-4029	1	PLUG, (includes item 6)	25	9138-4009	4	CAP SCREW, M8X50
8	9138-4008	1	STOP SCREW, M12x100	26	9109-4038	1	FLUSHING ORIFICE
9		2	SEAL NUT	27	9109-4039	1	PLUG
10	9109-4030	1	HOUSING	28	8392-4157	1	SWIVEL TIME ORIFICE
11	9109-4031	1	STOP SCREW, M12x80	29	9109-4040	2	PLUG
12	9109-4032	1	ROTARY GROUP				NOTE: ONLY ITEMS WITH PART NUMBERS ARE AVAILABLE FOR SERVICE.
13		1	O-RING				
14		6	O-RING				
15	8091-4235	2	CHECK VALVE KIT, (includes o-rings)				
16	9114-4248	2	FITTING				



Item	Part No.	Qty.	Description Of Part	Item	Part No.	Qty.	Description Of Part
	9116-3044	Ref	FRONT DRIVE MOTOR, (includes all items)	16	9140-4047	1	SLIDER
	9116-4109	AR	SEAL KIT, (includes items 2, 3, 5, 6, 8, 11, 17, 19, 21, 30 and additional items not illustrated)	17		1	O-RING
1	9140-4040	1	SNAP RING	18	9140-4048	8	CAPSCREW, M16X45
2	8021-4343	1	SHIM	19		1	O-RING
3		1	SHAFT SEAL	20	9140-4049	1	STROKING PISTON
4	9140-4041	1	HOUSING	21		3	SQUARE-RING
5		1	PLUG, 7/8-14	22	9140-4050	1	PISTON
6		1	PLUG, 1-1/16-12	23	9140-4051	1	THREADED PIN
7	9140-4043	1	STOP SCREW	24	9116-4111	1	CAPSCREW, M14X1.5
8		2	SEAL NUT, M12	25	9140-4053	1	FLUSHING VALVE, (includes items 19 & 26 thru 30)
9	9140-4042	1	STOP SCREW	26	9140-4054	4	CAPSCREW, M12X50
10	9140-4044	1	ROTARY GROUP	27	9140-4055	1	ORIFICE SEAT, (inner)
11		1	O-RING	28	9140-4056	1	SHUTTLE ORIFICE
12	9116-4110	1	CONTROL ASSY, (includes items 15, 18 & 20 thru 25)	29	9140-4057	1	ORIFICE SEAT, (outer)
13	9109-4022	2	FITTING	30		1	PLUG, M14X1.5
14	9140-4046	4	CAPSCREW, M8X50				NOTE: ONLY ITEMS WITH PART NUMBERS ARE AVAILABLE FOR SERVICE.
15	9109-4033	1	DA1 CONTROL, (includes items 13, 14, 16 & 17)				



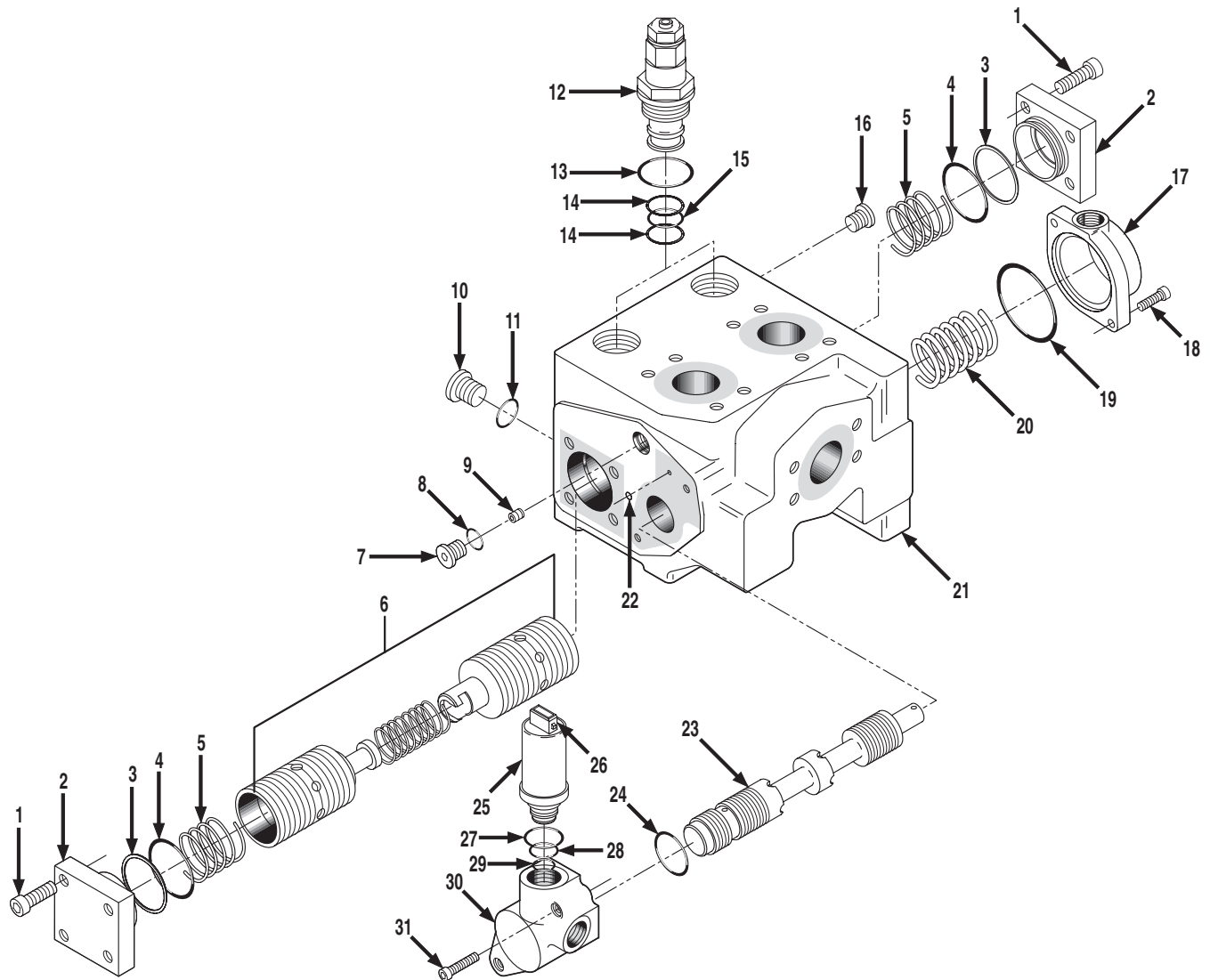
Item	Part No.	Qty.	Description Of Part	Item	Part No.	Qty.	Description Of Part
1	9112-5069	1	HYDRAULIC RESERVOIR ASSY, (includes all items except 30, 31 & 32)	18	8856-1004	8	WASHER, 3/8
2	9114-3133	1	HYDRAULIC OIL TANK, (includes item 21)	19	9133-3023	6	SLOTTED HEX WASHER HD MACHINE SCREW, #10-32X1/2"
3	9108-3070	1	FLUID LEVEL GAUGE, (includes items 3, 4 & 5)	20	8820-1020	4	HEX HD CAPSCREW, 5/16-18X1, GR5
4		2	ROUND HD SCREW, PORTED	21		1	PLUG
5		2	LOCKWASHER	22	8856-1003	4	WASHER, 5/16
6	8859-1210	2	O-RING	23	9116-1210	1	FILTER SUPPORT
7	8866-1084	2	BULKHEAD UNION, 9/16-18X3/8 TUBE	24	9108-3069	1	FILLER BREATHER
8	9114-3172	2	MINI CHECK COUPLING	25	8855-1011	4	LOCKWASHER, 3/8
9	8866-2106	1	ELBOW, 90 DEGREES, (swivel nut)	26	8850-1006	4	HEX NUT, 3/8-16
10	9112-3150	1	TUBE ASSY	27	8866-1013	1	MALE CONNECTOR
11	9114-3218	1	RETURN FILTER, (includes one of item 13 and item 14)	28	9108-3301	1	TANK FILTER
12	9108-3518	1	SUCTION FILTER, (includes one of item 13)	29	9108-3200	1	STRAIGHT CONNECTOR
13	9114-3144	2	FILTER ELEMENT	30	8855-1015	4	LOCKWASHER, 5/8
14	9108-4022	1	COLOR CODED GAUGE	31	8820-1095	4	HEX HD CAPSCREW, 5/8-11X1-1/2, GR5
15	8362-3032	1	ELBOW, 90 DEGREES	32	8856-1008	4	FLAT WASHER, 5/8
16	9108-3519	1	BEADED INSERT, 45 DEGREES	33	8855-1010	4	LOCKWASHER, 5/16
17	8820-1036	4	HEX HD CAPSCREW, 3/8-16X1-1/4, GR5				
							NOTE: ONLY ITEMS WITH PART NUMBERS ARE AVAILABLE FOR SERVICE.



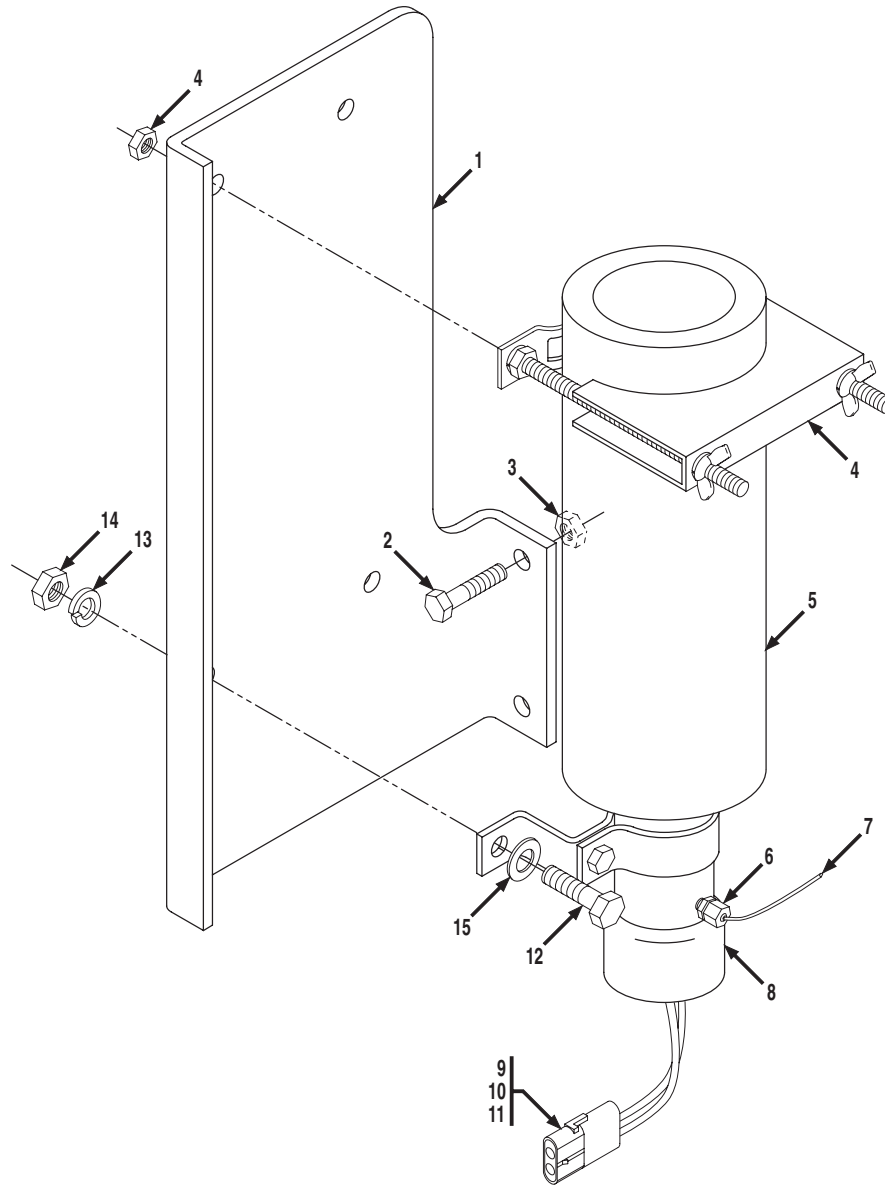
NOTE: THE BOSCH REXROTH CORPORATION JOYSTICK HANDLE SWITCH IS NOT A FIELD SERVICEABLE COMPONENT. ANY ATTEMPT BY NON-FACTORY AUTHORIZED PERSONNEL TO REPAIR OR REPLACE THE SWITCH WILL VOID THE WARRANTY AND CAN RESULT IN A JOYSTICK MALFUNCTION.

Item	Part No.	Qty.	Description Of Part
	9130-3037	1	JOYSTICK ASSY, (includes all items)
	9140-4326	1	SEAL KIT, (includes items 11 thru 15)
1	8093-4658	1	CAP
2	8093-4656	1	HANDLE GRIP KIT
3	8093-4241	1	BOOT
4	8026-4140	1	CARDAN KIT, (includes item 5)
5		AR	SHIM
6	9130-4026	1	RETAINING PLATE
*7	9150-4029	1	STANDARD SPRING, (pack of two), (ports 2 & 4)
8	8093-4498	4	PLUNGER & GUIDE KIT
9	9140-4327	4	REGULATING KIT
10	9150-4028	1	HEAVY SPRING, (pack of two), (ports 1 & 3)

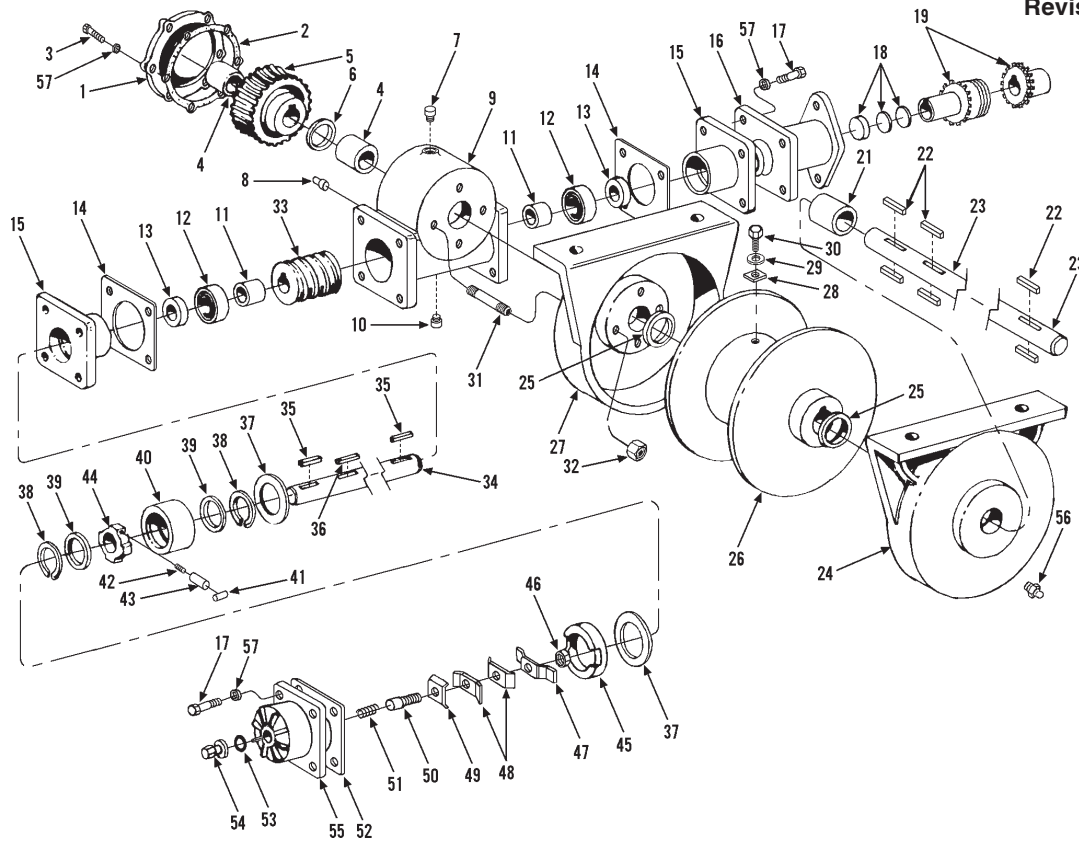
Item	Part No.	Qty.	Description Of Part
11		1	O-RING
12		1	O-RING
13		2	PIN
14		1	O-RING
15		1	SCREW
16		1	UPPERBODY
17		1	LOWERBODY
			NOTE: ONLY ITEMS WITH PART NUMBERS ARE AVAILABLE FOR SERVICE.



Item	Part No.	Qty.	Description Of Part	Item	Part No.	Qty.	Description Of Part
	9108-3459	1	TRACTION LOCK VALVE, (includes all items)	15		2	O-RING
	9108-4284	Ref	SEAL KIT, (includes items 3, 4, 8, 11, 13 thru 16, 19, 22, 24, 27, 28, 29)	16		1	PLUG
1	9140-4058	8	HEX HD CAPSCREW, M10X30	17	9140-4064	1	COVER
2	9140-4059	2	COVER	18	9140-4065	2	HEX HD CAPSCREW, M6X16
3		2	BACK-UP RING	19		1	O-RING
4		2	O-RING	20	9140-4066	1	SPRING
5	9140-4060	2	SPRING	21		1	VALVE BODY, (not sold separately, order P/N 9108-3459)
6		1	SPOOL, (not sold separately, order P/N 9108-3459)	22		1	O-RING
7	9140-4061	1	PLUG, (includes item 8)	23		1	SPOOL, (not sold separately, order P/N 9108-3459)
8		1	O-RING	24		1	O-RING
9	9140-4062	1	ORIFICE	25	9108-4302	1	SOLENOID VALVE, (include items 27, 28 & 29)
10	9140-4063	2	PLUG, (includes item 11)	26	9114-4015	1	CONNECTOR
11		2	O-RING	27		1	O-RING
12	9108-4297	2	RELIEF VALVE CARTRIDGE, (set at 5800 PSI), (includes items 13, 14 & 15)	28		1	O-RING
13		2	O-RING	29		1	O-RING
14		4	BACK-UP RING	30	9108-4301	1	COVER
				31	9140-4067	2	HEX HD CAPSCREW, M6X30

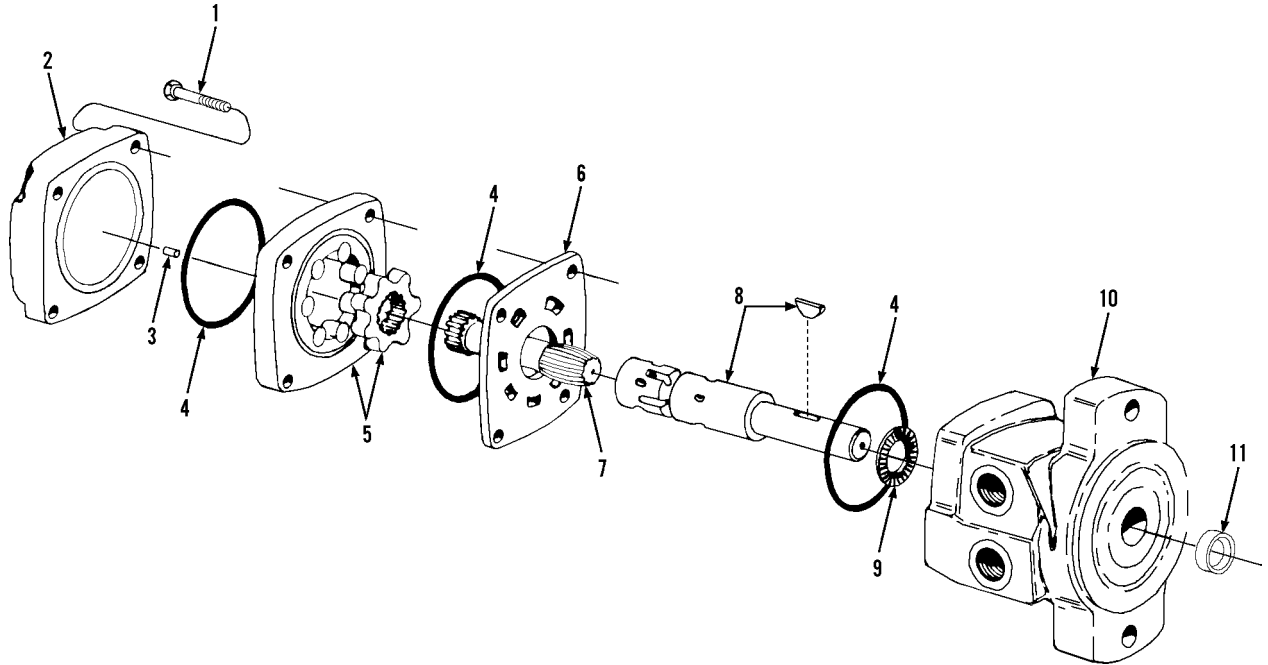


Item	Part No.	Qty.	Description Of Part
	9133-5020	1	QUICK START CYLINDER & VALVE ASSY, (includes all items except 2 & 3)
1	9133-1018	1	MOUNTING BRACKET
2	8820-1035	2	HEX HD CAPSCREW, 3/8-16X1, GR5
3	7714-3015	2	WHIZ-LOK NUT, 3/8-16
4	9136-3027	1	CYLINDER CLAMP
5	8395-3028	1	CYLINDER
6	9136-3026	1	VALVE FITTING, STRAIGHT
7	9136-3028	1	NYLON TUBE
8	9136-3030	1	VALVE
9	8096-3058	1	SHROUD CONNECTOR, 2 - WIRE
10	8096-3069	2	MALE PIN TERMINAL
11	8096-3065	2	CABLE SEAL
12	8820-1003	2	HEX HD CAPSCREW, 1/4-20X3/4, GR5
13	8855-1009	2	LOCKWASHER, 1/4
14	8850-1004	2	HEX NUT, 1/4-20
15	8856-1107	2	FLAT WASHER, 1/4

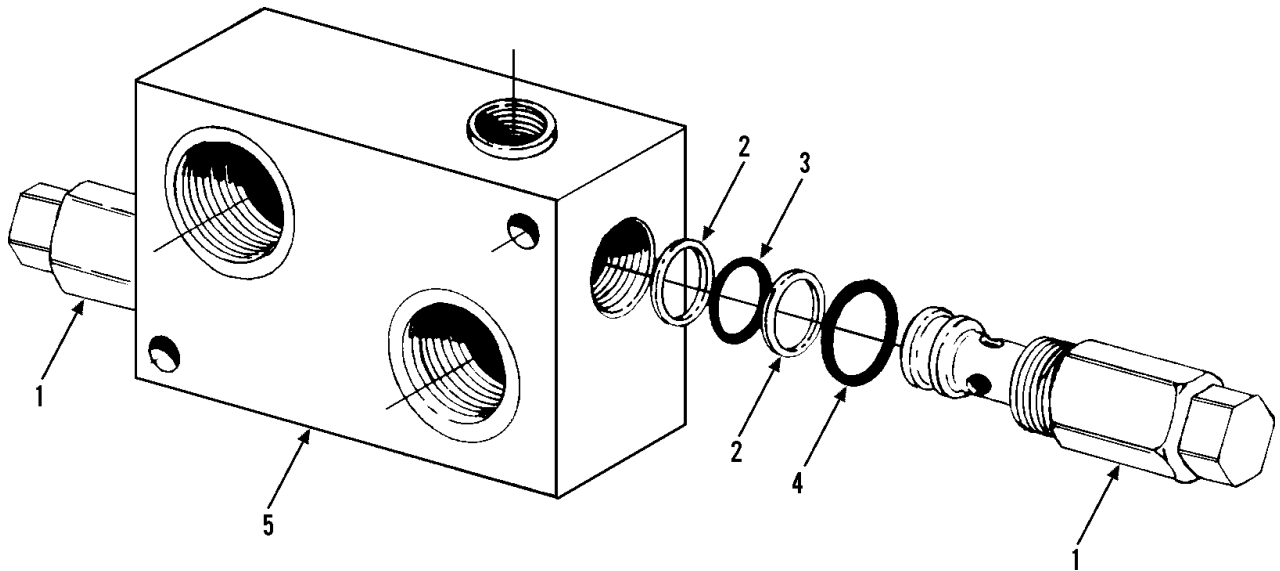


Item	Part No.	Qty.	Description Of Part	Item	Part No.	Qty.	Description Of Part
*	9045-3050	1	TRUSS BOOM WINCH, (includes all items on this page & on page 10-21)	29	8855-1011	1	LOCKWASHER, 3/8
1	9020-8147	1	GEAR CASE COVER	30	8820-1036	1	HEX HD CAPSCREW, 3/8-16X1-1/4, GR5
2	9020-8171	1	GEAR CASE GASKET	31	9020-8155	4	STUD BOLT, 1/2-13X1-1/2
3	8820-1035	6	HEX HD CAPSCREW, 3/8-16X1, GR5	32	8850-1008	4	HEX NUT, 1/2-13
4	9020-8154	2	BUSHING	33	9020-8151	1	WORM
5	9020-8150	1	WORM GEAR	34	9020-8149	1	WORM SHAFT
6	9020-8174	1	BUSHING	35	9020-8176	2	WORM SHAFT KEY
7	9020-8168	1	OIL FILL PLUG	36	9020-8177	1	WORM SHAFT KEY
8	9020-8185	1	OIL LEVEL PLUG	37	9020-8164	2	BRAKE LINING
9	9020-8142	1	GEAR CASE	38	9020-8184	2	LOCK RING (V.C. type)
10	9020-8186	1	OIL DRAIN PLUG	39	9020-8175	2	SEAL
11	9020-8156	2	COLLAR	40	9020-8158	1	BRAKE HOUSING
12	9020-8183	2	BEARING	41	9020-8163	1	ROLLER
13	9020-8189	2	OIL SEAL	42	9020-8179	1	BRAKE DRUM HOUSING
14	9020-8170	2	BEARING HUB GASKET	43	9020-8162	1	SPRING SEAT
15	9020-8188	2	BEARING HUB	44	9020-8159	1	BRAKE DRUM
16	9020-8180	1	MOTOR MOUNT ADAPTER	45	9020-8157	1	BRAKE PLATE
17	8820-1037	12	HEX HD CAPSCREW, 3/8-16X1-1/2, GR5	46	8850-1006	1	HEX NUT, 3/8-16
18	9020-8187	AR	COUPLER SPACER	47	9020-8165	1	BRAKE PLATE
19	9020-8181	1	COUPLER WINCH SHAFT	48	9020-8166	2	BRAKE PLATE
*20	Not Used			49	9020-8167	1	FIXING PLATE
21	9020-8153	1	LOCK SEAT BUSHING	50	9020-8160	1	ADJUSTING BOLT
22	9020-8152	6	CABLE DRUM SHAFT KEY	51	9020-8178	1	SPRING
23	9020-8148	1	CABLE DRUM SHAFT	52	9020-8190	1	BRAKE COVER GASKET
*24	9140-4384	1	LOCK SEAT	53	9020-8172	1	O-RING
25	9020-8173	2	WASHER	54	9020-8161	1	ADJUSTING NUT
26	9020-8145	1	CABLE DRUM	55	9020-8146	1	BRAKE DRUM
27	9020-8143	1	LOCK SEAT	56	8867-1001	1	LUBE FITTING, STRAIGHT, 1/8
28	9020-8169	1	WIRE ROPE LOCK	57	8855-1011	14	LOCKWASHER, 3/8

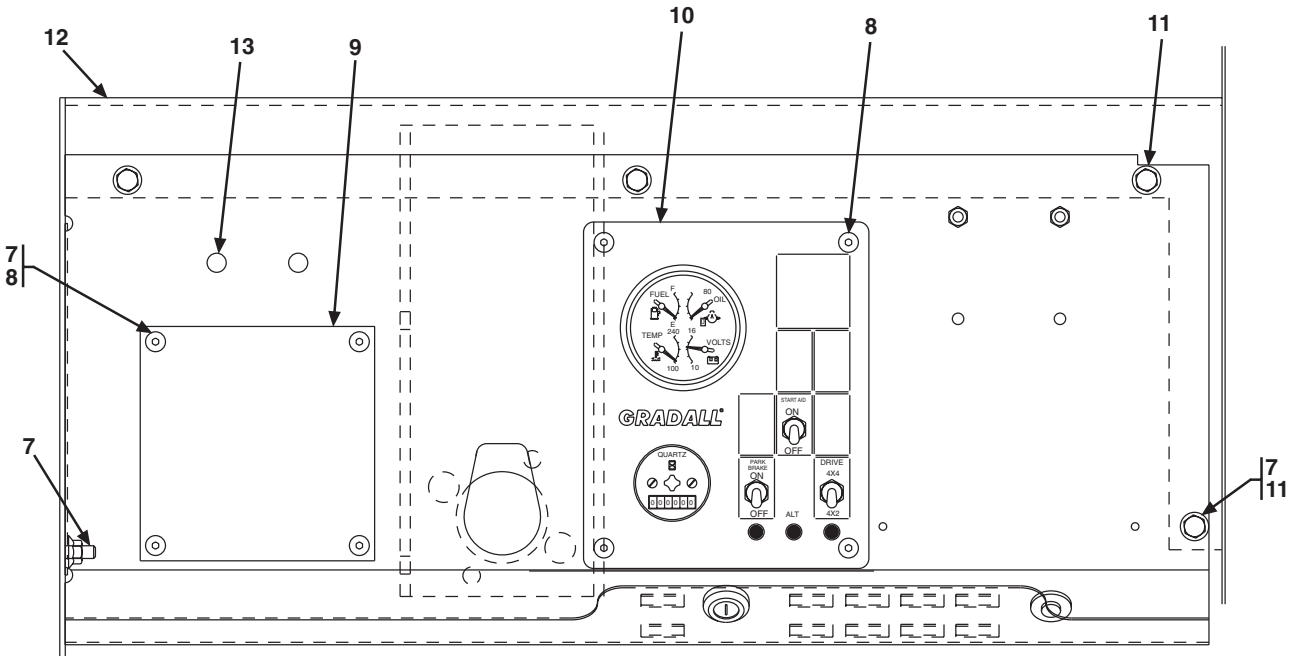
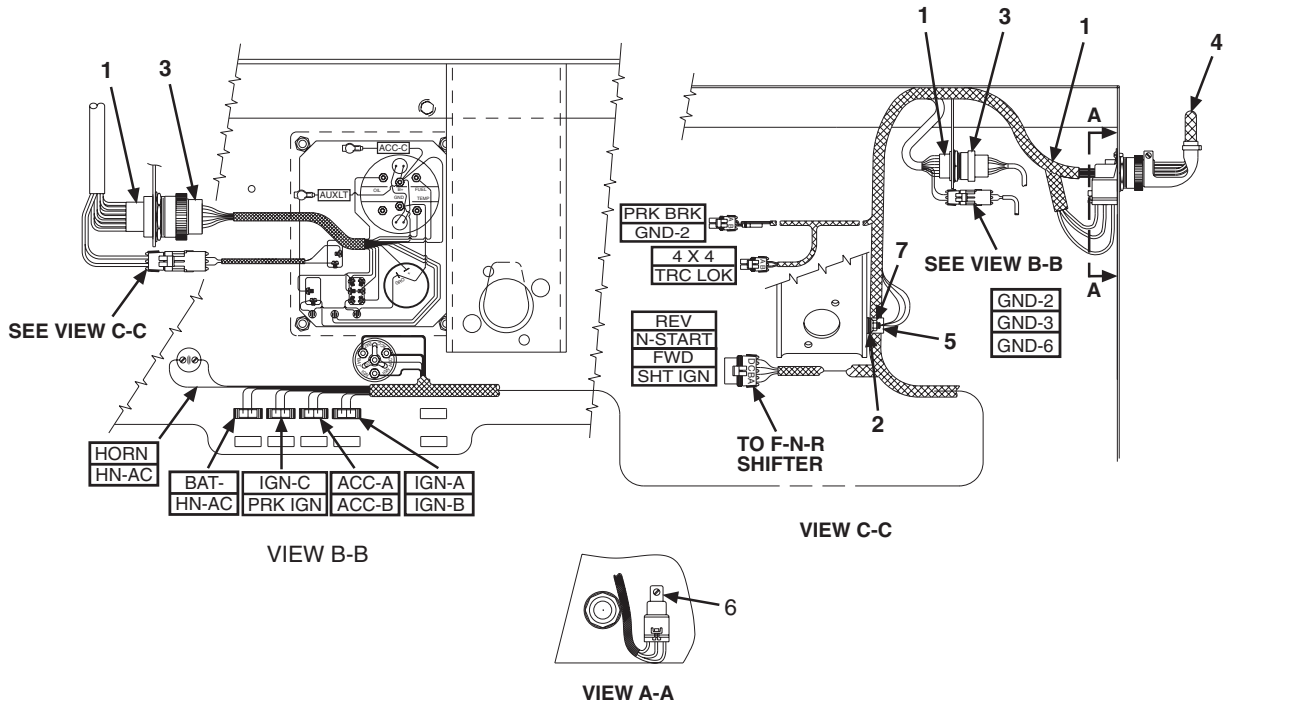
* Revised illustration, part number for truss boom winch assy & item 24; removed item 20.



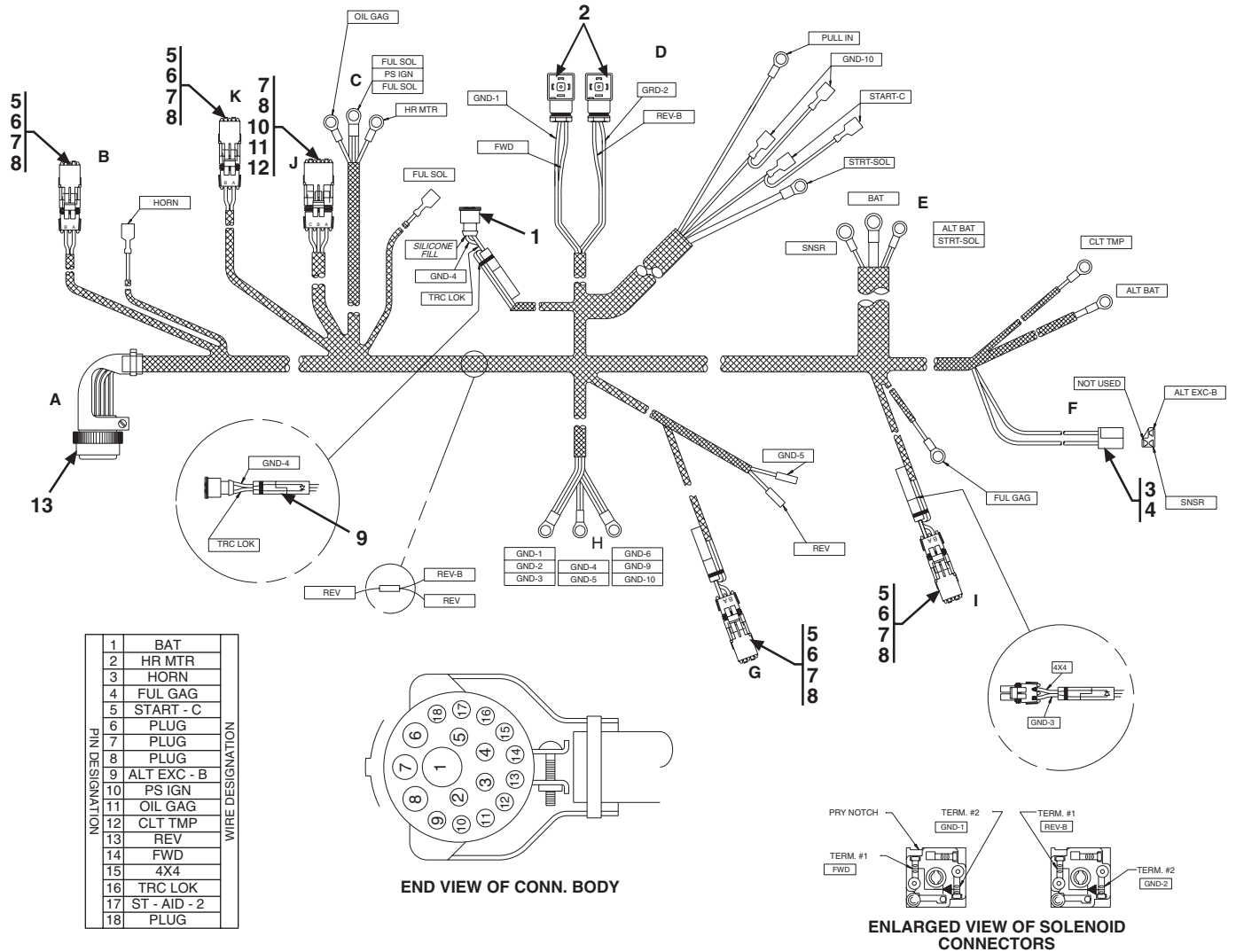
Item	Part No.	Qty.	Description Of Part
	9020-7879	1	WINCH MOTOR, (includes all items)
	9020-8212	1	SHAFT SEAL KIT, (includes items 4 & 11)
1	8320-1057	4	HEX HD CAPSCREW, 3/8-16X2, GR8
2	9020-8203	1	END COVER
3	9020-8204	1	PIN
4		3	SEAL
5	9020-8206	1	ROLLER-STATOR ASSY
6	9020-8207	1	WEAR PLATE
7	9020-8208	1	DRIVE LINK
8	9020-8209	1	SHAFT
9	9020-8210	1	THRUST BEARING
10	9020-8211	1	FRONT HOUSING
11		1	SHAFT SEAL
			NOTE: ONLY ITEMS WITH PART NUMBERS ARE AVAILABLE FOR SERVICE.



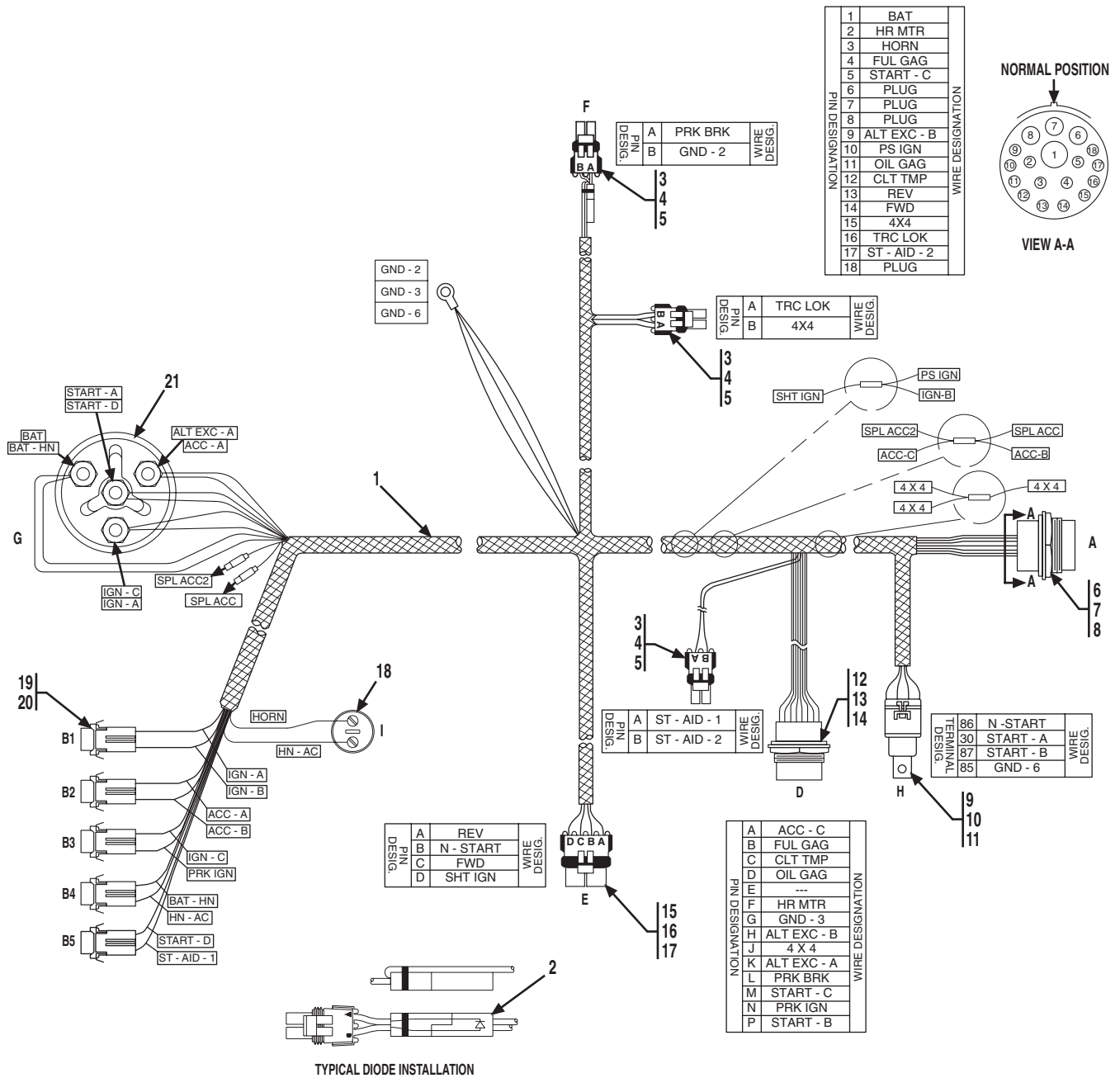
Item	Part No.	Qty.	Description Of Part
	9060-2706	1	CROSSOVER RELIEF VALVE, (includes all items)
1	9020-3440	2	RELIEF CARTRIDGE, (includes items 2 thru 4)
2	9020-3437	4	BACKUP RING, (2/cartridge)
3	9020-3438	2	O-RING, (1/cartridge)
4	9020-3439	2	O-RING, (1/cartridge)
5		1	BODY
			NOTE: ONLY ITEMS WITH PART NUMBERS ARE AVAILABLE FOR SERVICE.



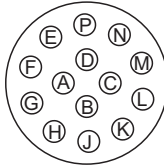
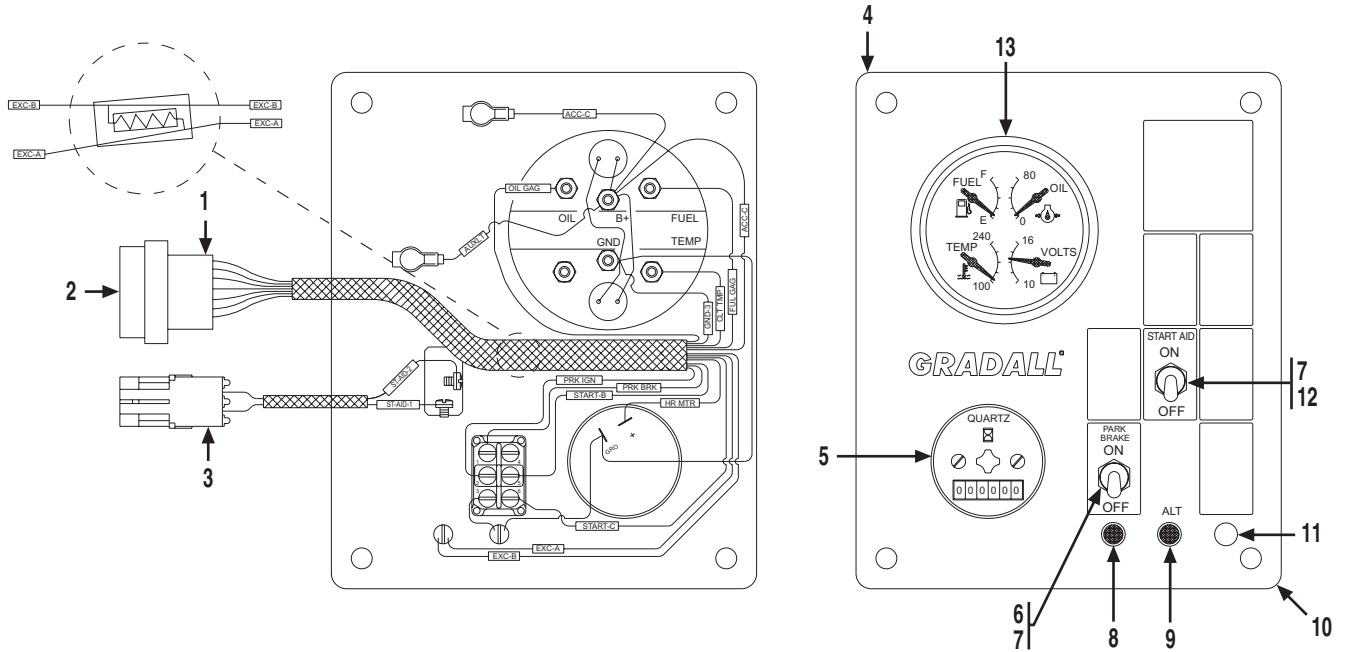
Item	Part No.	Qty.	Description Of Part	Item	Part No.	Qty.	Description Of Part
1		Ref	DASH HARNESS ASSY, (see page 11-3 for details)	7	7714-3006	7	WHIZ-LOCK NUT, 5/16-18
2	8856-1003	1	FLAT WASHER, 5/16	8	8826-1022	8	SOCKET BUTTON HD CAPSCREW, 5/16-18X3/4
3		Ref	GAUGE PANEL WIRING HARNESS, (see page 11-4 for details)	9	9114-1480	1	COVER PLATE
4		Ref	ENGINE WIRING HARNESS, (see page 11-2 for details)	10		Ref	GAUGE PANEL ASSY, (see page 11-4 for details)
5	2486-1170	1	CLAMP	11	7714-3003	4	WHIZ-LOCK SCREW, 5/16-18X5/8
6	8832-1029	1	SELF-TAPPING SCREW, #10-24X3/8	12	9136-1008	1	DASH PANEL
				13	9109-3031	2	NYLON HOLE PLUG



Item	Part No.	Qty.	Description Of Part
	9133-3013	1	ENGINEWIRINGHARNES, (includes all items)
1	9108-3440	1	ELECTRICAL CONNECTOR
2	9108-4038	2	PLUG-IN CONNECTOR
3	8368-3254	1	3 CONTACT PLUG, (includes item 4)
4	9002-6803	3	PIN
5	8096-3057	4	TOWER
6	8096-3058	4	SHROUD
7	8096-3068	AR	FEMALE PIN TERMINAL
8	9136-4009	AR	CABLE SEAL
9	9136-3021	1	MOLDED DIODE
10	8096-3059	1	TOWER
11	8096-3060	1	SHROUD
12	8096-3067	AR	CABLE SEAL
13	9133-4038	1	CONNECTOR

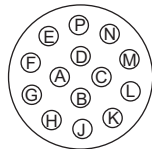
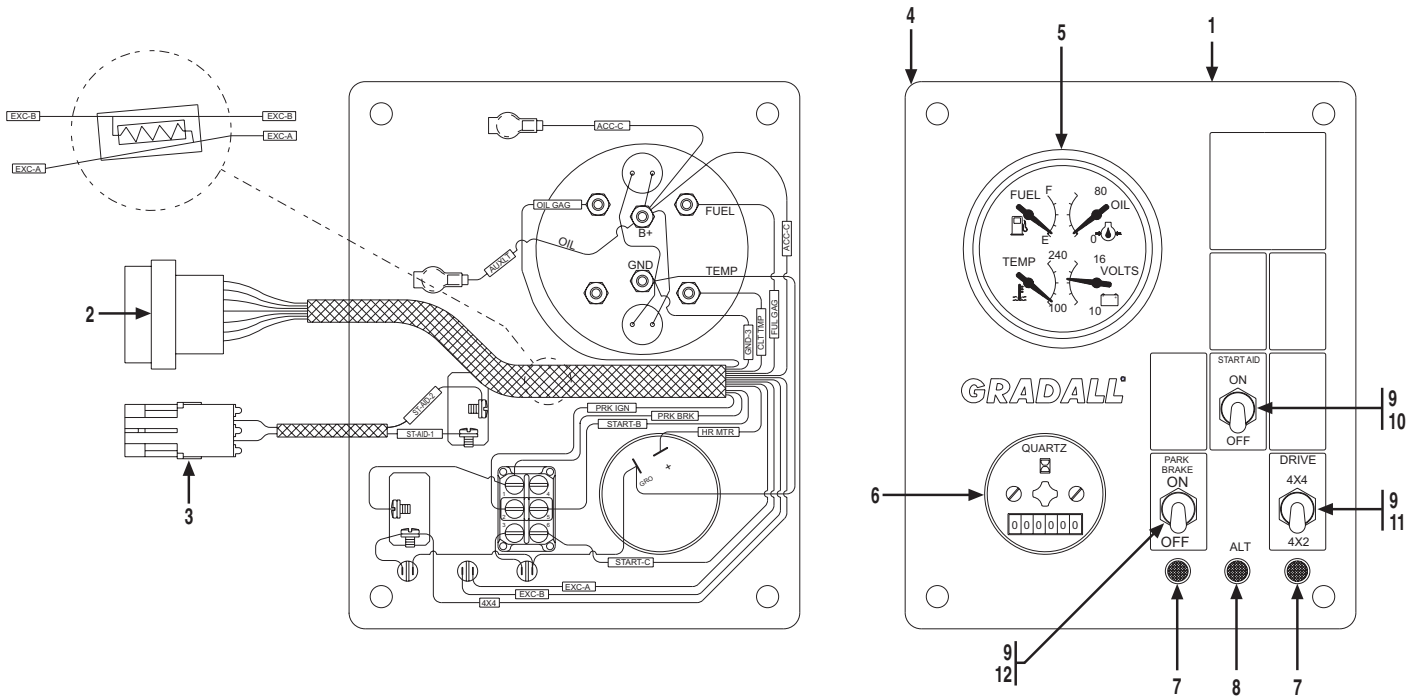


Item	Part No.	Qty.	Description Of Part	Item	Part No.	Qty.	Description Of Part
1	9136-5013	1	DASH HARNESS ASSY, (includes all items)	10	9136-4011	1	CONNECTOR
	9136-3035	1	DASH HARNESS, (includes items 2 thru 17 & 19)	11	9136-4012	4	TERMINAL END
	9136-3021	1	MOLDED DIODE	12	7736-3225	1	RECEPTACLE CONNECTOR
	8096-3057	3	TOWER	13	7736-3264	1	PANEL NUT
	8096-3068	AR	FEMALE PIN TERMINAL	14	7736-3263	1	LOCKWASHER
	9136-4009	AR	CABLE SEAL	15	9136-4013	1	CONNECTOR
	9136-4010	1	RECEPTACLE CONNECTOR	16	9136-4014	AR	FEMALE PIN TERMINAL
	8348-1286	1	PANEL NUT	17	8096-3065	AR	CABLE SEAL
	8348-1285	1	LOCKWASHER	18	2477-1004	1	HORN BUTTON
9136-3054	1	RELAY	19	9114-3108	5	SNAP-IN FUSE HOLDER	
				20	7736-3268	5	15 AMP FUSE
				21	9103-3317	1	IGNITION SWITCH
				*	7738-4578	1	KEY



DEUTSCH CONNECTOR HD 36-18-14-SN	
PIN DESIGNATION	A ACC-C
	B FUL GAG
	C CLT TMP
	D OIL GAG
	E -----
	F HR MTR
	G GND-3
	H ALT EXC-B
	J -----
	K ALT EXC-A
	L PRK BRK
	M START-C
	N PRK IGN
	P START-B
	WIRE DESIGNATION

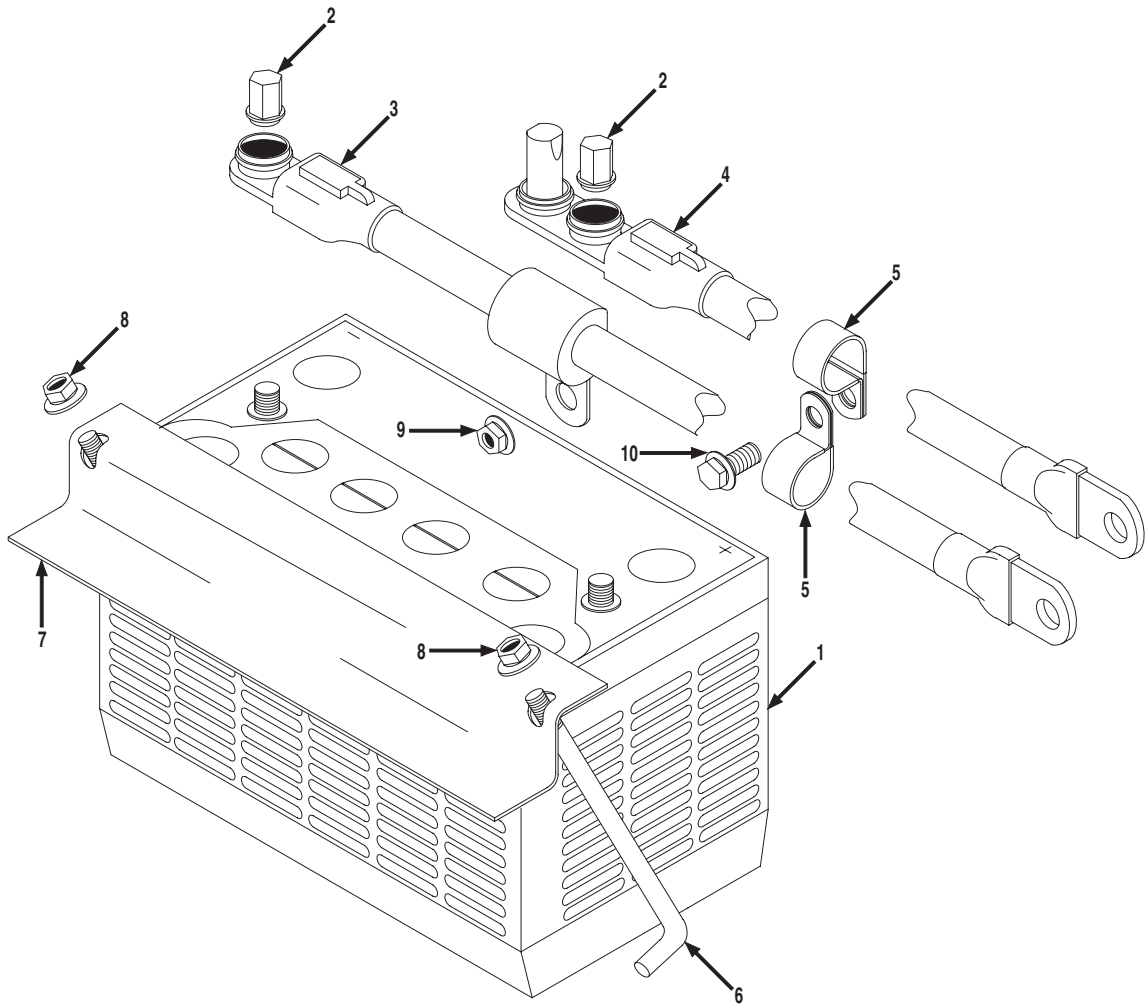
Item	Part No.	Qty.	Description Of Part	Item	Part No.	Qty.	Description Of Part
	9109-3037	1	GAUGE PANEL, (includes all items)	8	9114-3128	1	AMBER INDICATOR LIGHT
1	9136-4008	1	WIRE HARNESS	9	9114-3127	1	RED INDICATOR LIGHT
2	7736-3223	1	PLUG CONNECTOR	10	9136-4004	1	PANEL ASSY, (includes front & back plates, acrylic lens & std. lables)
3	9136-3034	1	START-AID HARNESS	11	9109-3030	1	NYLON HOLE PLUG
4	9136-4005	1	RUBBER BOOT	12	7738-3467	1	SPST TOGGLE SWITCH
5	9136-4006	1	HOURMETER	13	9136-4007	1	4-IN-1 GAUGE
6	9134-3074	1	DPTP TOGGLE SWITCH				
7	7738-3470	2	TOGGLE SWITCH BOOT				



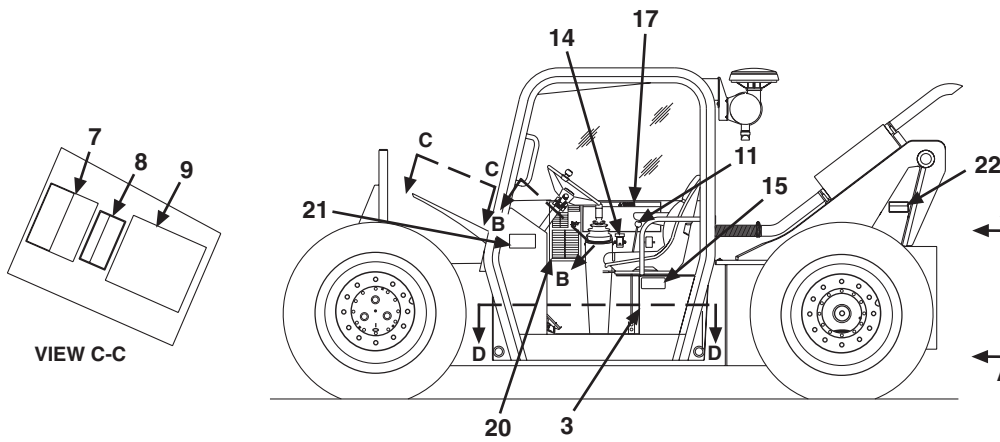
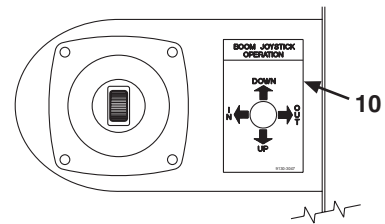
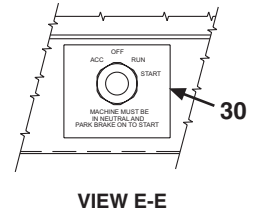
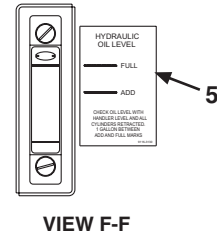
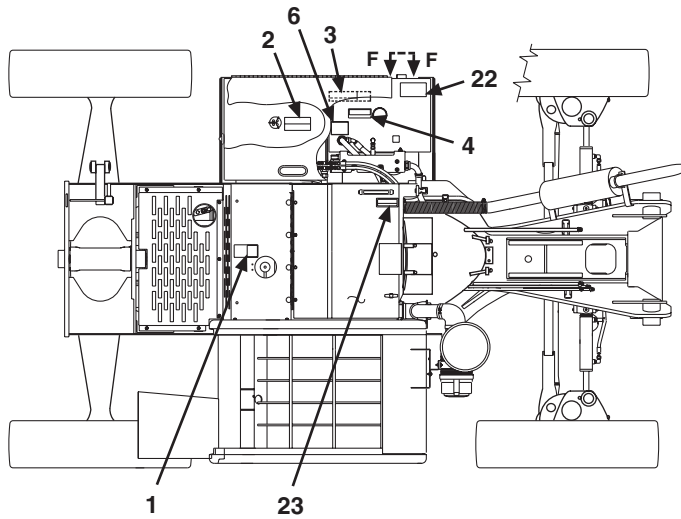
DEUTSCH CONNECTOR HD 36-18-14-SN	
PIN DESIGNATION	WIRE DESIGNATION
A	ACC-C
B	FUL GAG
C	CLT TMP
D	OIL GAG
E	-----
F	HR MTR
G	GND-3
H	ALT EXC-B
J	4X4
K	ALT EXC-A
L	PRK BRK
M	START-C
N	PRK IGN
P	START-B

Item	Part No.	Qty.	Description Of Part
1	9114-3331	1	GAUGE PANEL, (includes all items)
	9136-4004	1	PANEL ASSY, (includes front & back plates, acrylic lens & std. labels)
2	9136-4008	1	WIRE HARNESS
3	9136-3034	1	START-AID HARNESS
4	9136-4005	1	RUBBER BOOT
5	9136-4007	1	4-IN-1 GAUGE

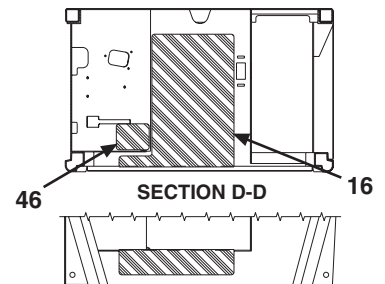
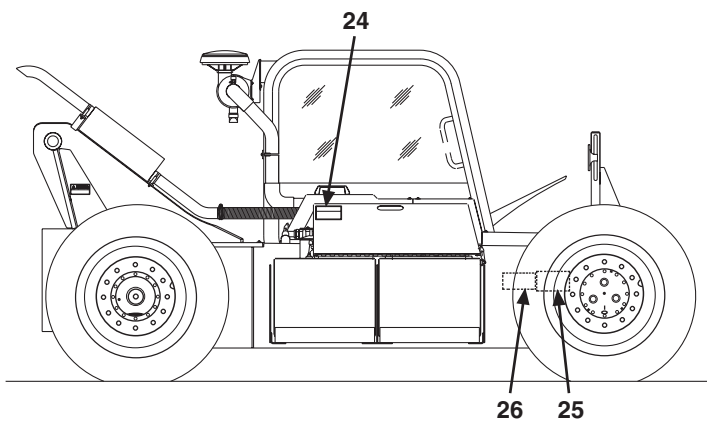
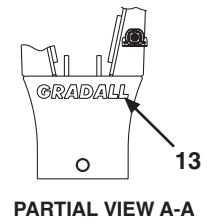
Item	Part No.	Qty.	Description Of Part
6	9136-4006	1	HOURLMETER
7	9114-3128	2	AMBER INDICATOR LIGHT
8	9114-3127	1	RED INDICATOR LIGHT
9	7738-3470	3	TOGGLE SWITCH BOOT
10	9112-3181	1	SPST TOGGLE SWITCH
11	7738-3467	1	TOGGLE SWITCH
12	9134-3074	1	DPDT TOGGLE SWITCH

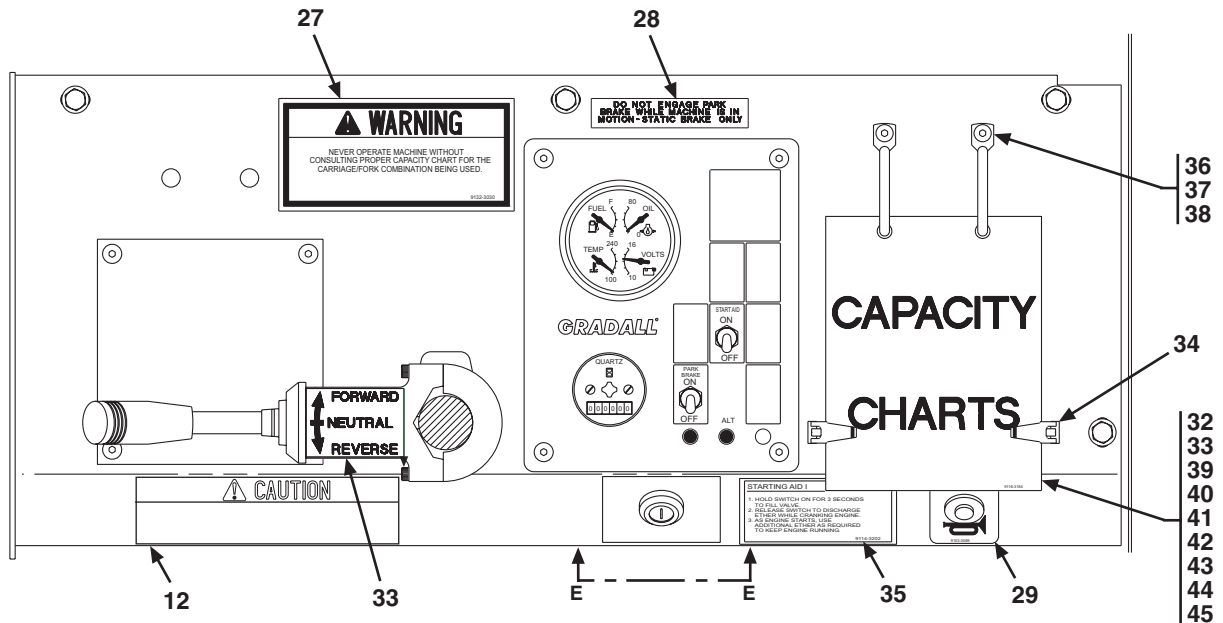


Item	Part No.	Qty.	Description Of Part
* 1	8097-3021	1	BATTERY, (12 volt, 1000 amps), TOP STUD, 3/8-16 UNC THREAD, BCI GROUP 31
2	7738-3567	2	BATTERY POST TERMINAL NUT
3	9108-3481	1	NEGATIVE BATTERY CABLE
4	9108-3482	1	POSITIVE BATTERY CABLE
5	8594-1017	2	SUPPORT CLAMP
6	9108-1640	2	HOLD DOWN STUD
7	9114-1429	1	BATTERY HOLD DOWN
8	7714-3006	2	WHIZ LOCKNUT, 5/16-18
	7714-3015	1	WHIZ LOCKNUT, 3/8-16
10	7714-3003	1	WHIZ LOCK SCREW, 5/16-18X5/8
	1440-3416	AR	DI-ELECTRIC GREASE, (add to caps of jump terminals on battery cables)
			NOTE: ONLY ITEMS WITH PART NUMBERS ARE AVAILABLE FOR SERVICE.



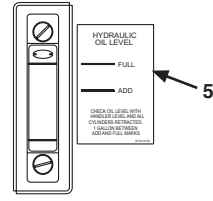
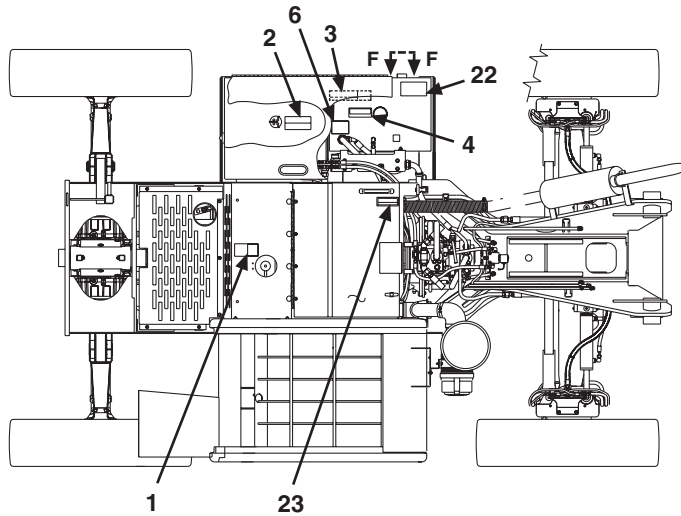
VIEW C-C



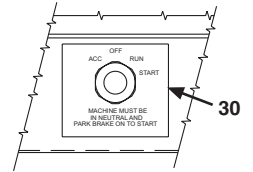


VIEW B-B

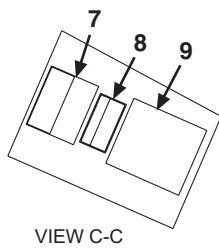
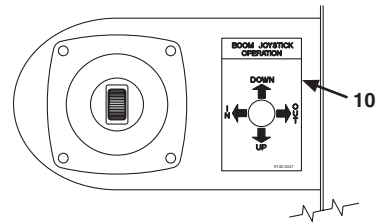
Item	Part No.	Qty.	Description Of Part	Item	Part No.	Qty.	Description Of Part
	9149-5005	1	522D LO PRO DECAL KIT, WHITE, (std), (includes all items on page 12-1 except 18 thru 20, 32 thru 44; and all items on page 12-2 except 4 thru 7).	29	9103-3089	1	HORN DECAL
1	8060-3026	1	CAUTION DECAL	30	9114-3120	1	INSTRUMENT PANEL DECAL
2	9114-3286	1	WARNING PLATE	31	9116-3028	1	SHIFTER DECAL
3	9108-3492	2	OIL WARNING DECAL	32	9116-3184	1	CAPACITY CHART COVER
4	9114-3288	1	HYDRAULIC OIL PLATE	33	9148-3028	1	CAPACITY CHART, (2 section boom, std)
5	9116-3130	1	OIL LEVEL DECAL		9148-3029	1	CAPACITY CHART, (3 section boom, opt)
6	9114-3162	1	TEST PORT DECAL	34	9136-3070	2	HINGED CLAMP
7	8060-3022	1	DANGER DECAL	35	9114-3202	1	INSTRUCTION DECAL
8	9055-3027	1	WARNING DECAL	36	9116-3087	2	LOAD CHART BRACKET
9	9148-3035	1	SERVICE INSTRUCTION DECAL	37	8830-2125	2	RD HD MACHINE SCREW, 1/4-20X5/8
10	9130-3047	1	BOOM OPERATION DECAL	38	8850-1616	2	HEX NUT, 1/4-20
11	9108-3317	1	TILT DECAL	39	9148-3032	1	LOAD CHART, SLOPE PILER, (2 section boom, std)
12	9148-3034	1	CAUTION DECAL		9148-3033	1	LOAD CHART, SLOPE PILER, (3 section boom, opt)
13	8364-1675	1	GRADALL DECAL, (white)	40	9148-3030	1	LOAD CHART, STD CARRIAGE W/ WINCH, (2 section boom, std)
14	9114-3292	1	DIPSTICK DECAL		9148-3031	1	LOAD CHART, STD CARRIAGE W/ WINCH, (3 section boom, opt)
15	7733-3027	1	MADE IN USA DECAL	41	9148-3037	1	LOAD CHART, SWING CARRIAGE, (2 section boom, std)
16	9136-3128	1	NON SKID FLOOR DECAL		9148-3038	1	LOAD CHART, SWING CARRIAGE, (3 section boom, opt)
17	9055-3028	1	WARNING DECAL	42	9148-3039	1	LOAD CHART, DRYWALL SWING CARRIAGE, (2 section boom, std)
18	9148-4002	1	SERIAL TAG		9148-3040	1	LOAD CHART, DRYWALL SWING CARRIAGE, (3 section boom, opt)
19	9116-4094	1	ROPS WARNING DECAL	43	9116-3184	1	CAPACITY CHART COVER
20	9148-3026	1	SERIAL NO. AND ATTACHING PLATE, (2 section boom, std)	44	9148-3028	1	CAPACITY CHART, (2 section boom, std)
	9148-3027	1	SERIAL NO. AND ATTACHING PLATE, (3 section boom, opt)	45	9148-3029	1	HORN DECAL
21	9114-3283	1	WARNING DECAL	46	9136-3140	1	NON SKID FLOOR DECAL
22	9114-3282	3	WARNING DECAL				
23	9114-3280	1	WARNING DECAL				
24	9114-3281	1	WARNING DECAL				
25	9114-3285	1	INSTRUCTION DECAL				
26	9114-3284	1	WARNING DECAL				
27	9132-3030	1	WARNING DECAL				
28	9114-3182	1	PARK BRAKE DECAL				



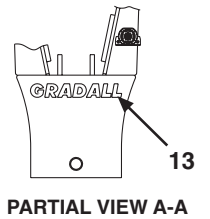
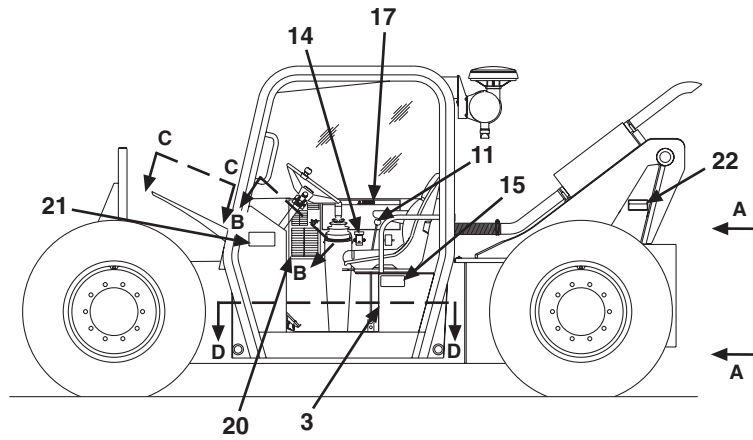
VIEW F-F



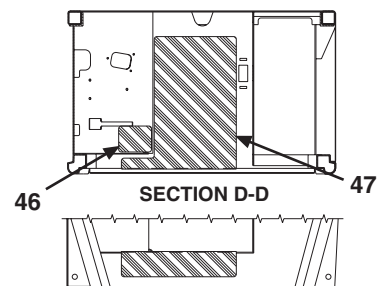
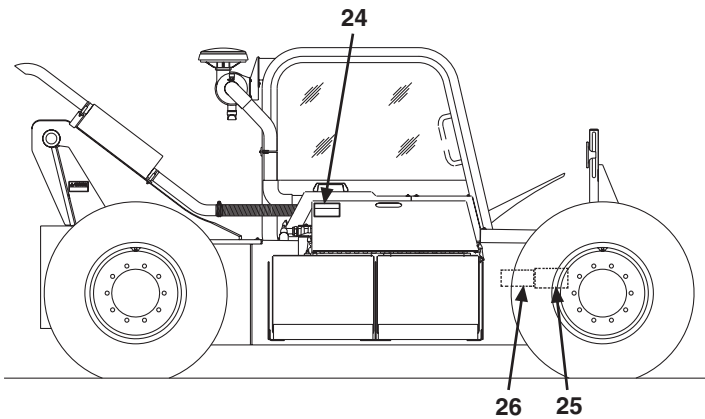
VIEW E-E



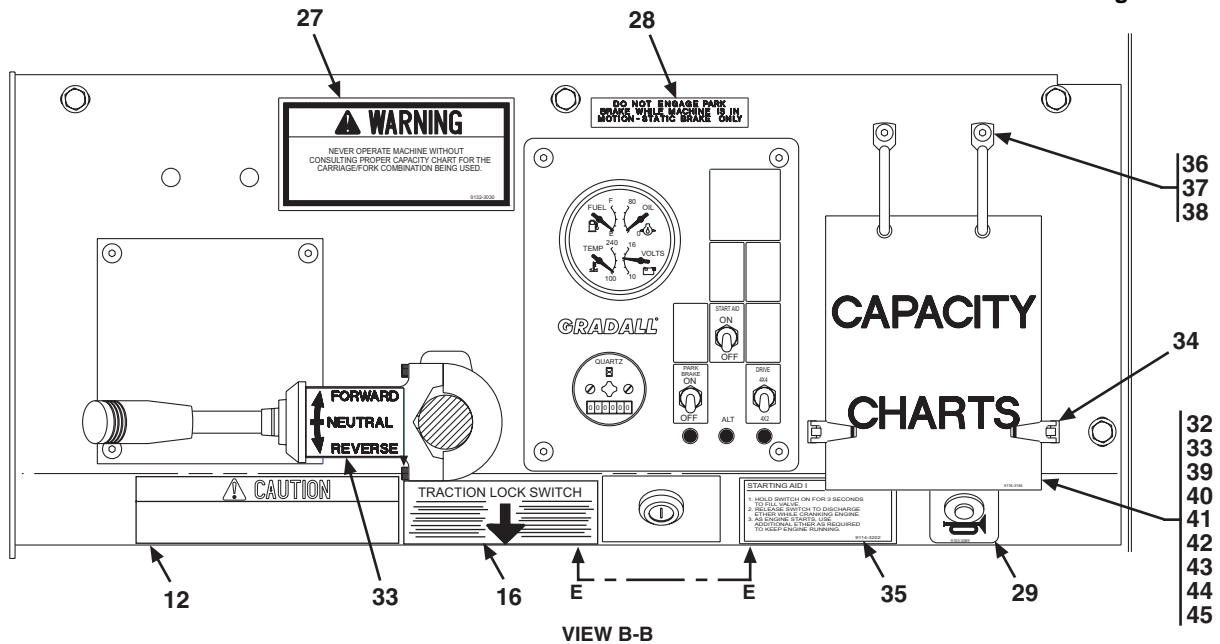
VIEW C-C



PARTIAL VIEW A-A

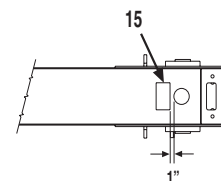
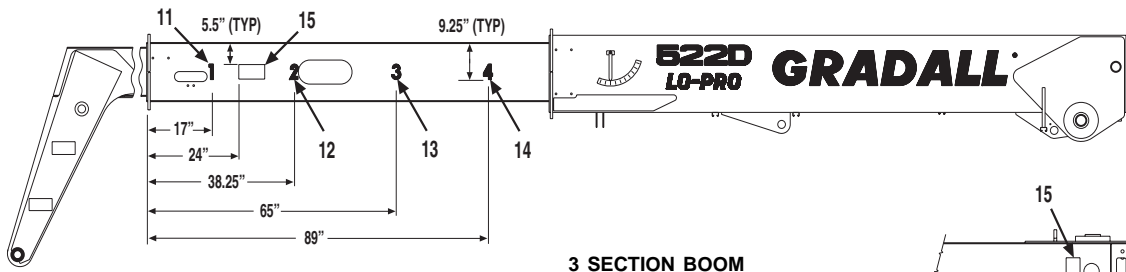
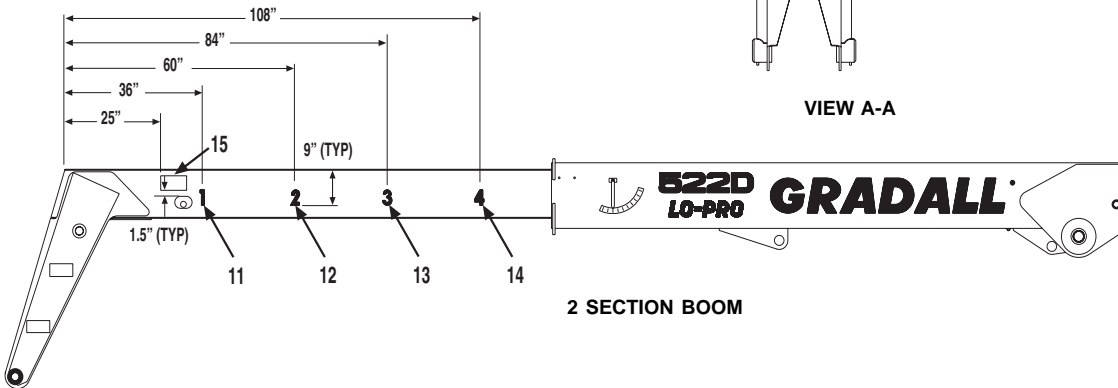
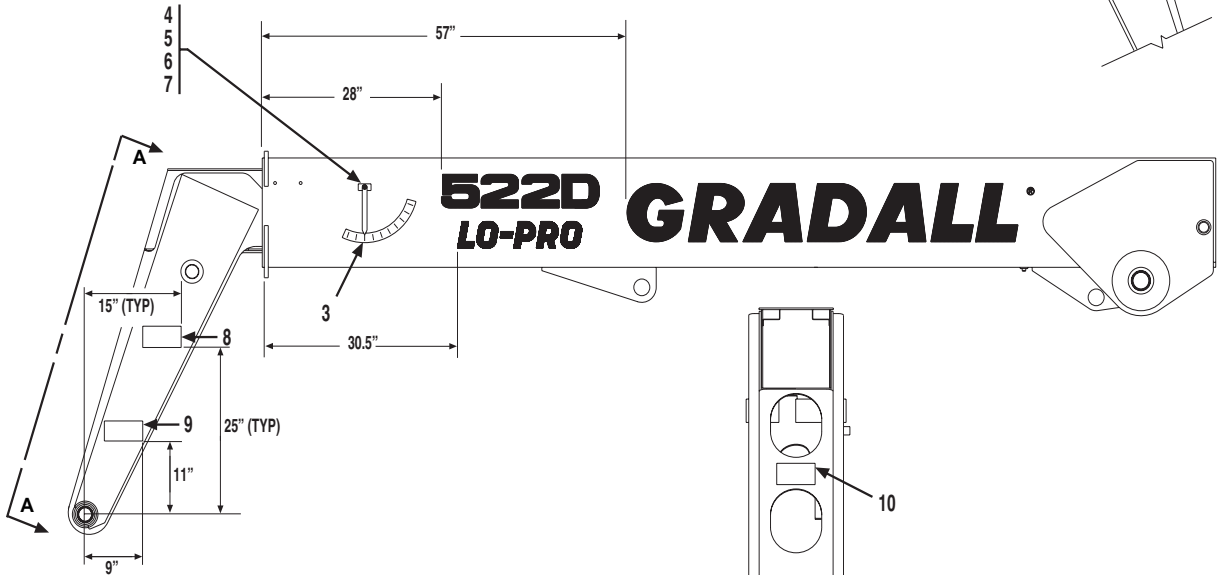
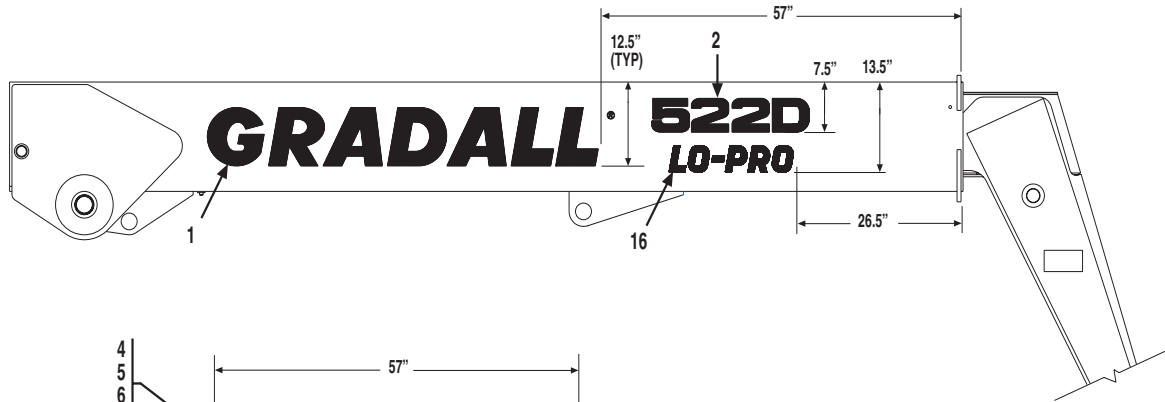


SECTION D-D



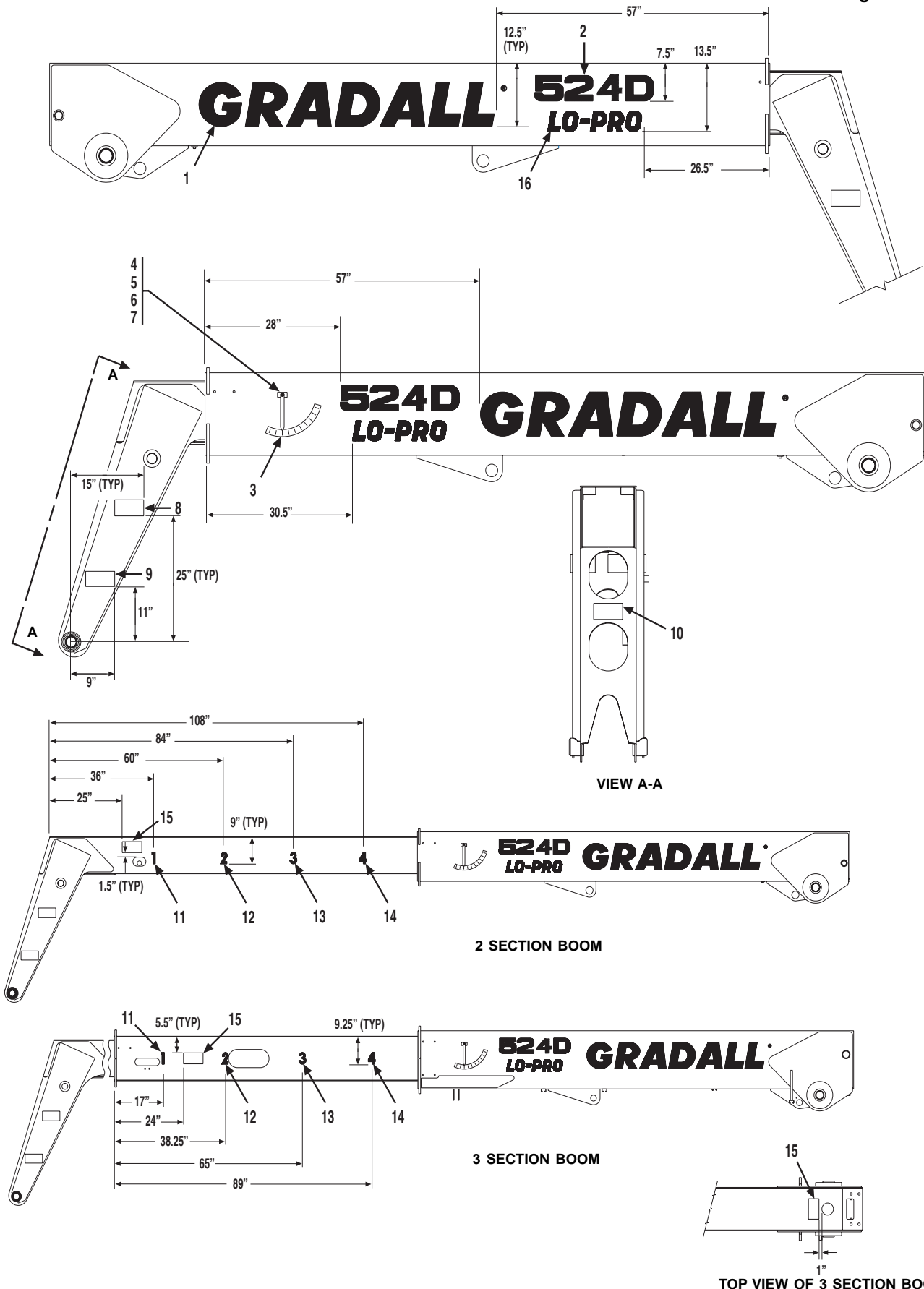
VIEW B-B

Item	Part No.	Qty.	Description Of Part	Item	Part No.	Qty.	Description Of Part
	9148-5007	1	524D LO PRO DECAL KIT, WHITE, (std), (includes all items on page 12-1 except 18 thru 20, 32 thru 44; and all items on page 12-2 except 4 thru 7).	33	9148-3028	1	CAPACITY CHART, (2 section boom, std)
1	8060-3026	1	CAUTION DECAL		9148-3029	1	CAPACITY CHART, (3 section boom, opt)
2	9114-3286	1	WARNING PLATE	34	9136-3070	2	HINGED CLAMP
3	9108-3492	2	OIL WARNING DECAL	35	9114-3164	1	INSTRUCTION DECAL
4	9114-3288	1	HYDRAULIC OIL PLATE	36	9116-3087	2	LOAD CHART BRACKET
5	9116-3130	1	OIL LEVEL DECAL	37	8830-2125	2	RD HD MACHINE SCREW, 1/4-20X5/8
6	9114-3162	1	TEST PORT DECAL	38	8850-1616	2	HEX NUT, 1/4-20
7	8060-3022	1	DANGER DECAL	39	9148-3032	1	LOAD CHART, SLOPE PILER, (2 section boom, std)
8	9055-3027	1	WARNING DECAL		9148-3033	1	LOAD CHART, SLOPE PILER, (3 section boom, opt)
9	9148-3035	1	SERVICE INSTRUCTION DECAL	40	9148-3030	1	LOAD CHART, STD CARRIAGE W/ WINCH, (2 section boom, std)
10	9130-3047	1	BOOM OPERATION DECAL		9148-3031	1	LOAD CHART, STD CARRIAGE W/ WINCH, (3 section boom, opt)
11	9108-3317	1	TILT DECAL	41	9148-3037	1	LOAD CHART, SWING CARRIAGE, (2 section boom, std)
12	9148-3034	1	CAUTION DECAL		9148-3038	1	LOAD CHART, SWING CARRIAGE, (3 section boom, opt)
13	8364-1675	1	GRADALL DECAL, (white)	42	9148-3039	1	LOAD CHART, DRYWALL SWING CARRIAGE, (2 section boom, std)
14	9114-3292	1	DIPSTICK DECAL		9148-3040	1	LOAD CHART, DRYWALL SWING CARRIAGE, (3 section boom, opt)
15	7733-3027	1	MADE IN USA DECAL	43	9148-3042	1	LOAD CHART, 6 FT MAST, (2 section boom, std)
16	9108-3314	1	TRACTION DECAL		9148-3043	1	LOAD CHART, 6 FT MAST, (3 section boom, opt)
17	9055-3028	1	WARNING DECAL	44	9148-3044	1	LOAD CHART, TRUSS BOOM, (2 section boom, std)
18	9148-4002	1	SERIAL TAG		9148-3045	1	LOAD CHART, TRUSS BOOM, (3 section boom, opt)
19	9116-4094	1	ROPS WARNING DECAL	45	9148-3046	1	LOAD CHART, WORK PLATFORM, (2 section boom, std)
20	9148-3026	1	SERIAL NO. AND ATTACHING PLATE, (2 section boom, std)		9148-3047	1	LOAD CHART, WORK PLATFORM, (3 section boom, opt)
	9148-3027	1	SERIAL NO. AND ATTACHING PLATE, (3 section boom, opt)	46	9136-3140	1	NON SKID FLOOR DECAL
21	9114-3283	1	WARNING DECAL	47	9136-3128	1	NON SKID FLOOR DECAL
22	9114-3282	3	WARNING DECAL				
23	9114-3280	1	WARNING DECAL				
24	9114-3281	1	WARNING DECAL				
25	9114-3285	1	INSTRUCTION DECAL				
26	9114-3284	1	WARNING DECAL				
27	9132-3030	1	WARNING DECAL				
28	9114-3182	1	PARK BRAKE DECAL				
29	9103-3089	1	HORN DECAL				
30	9114-3120	1	INSTRUMENT PANEL DECAL				
31	9116-3028	1	SHIFTER DECAL				
32	9116-3184	1	CAPACITY CHART COVER				

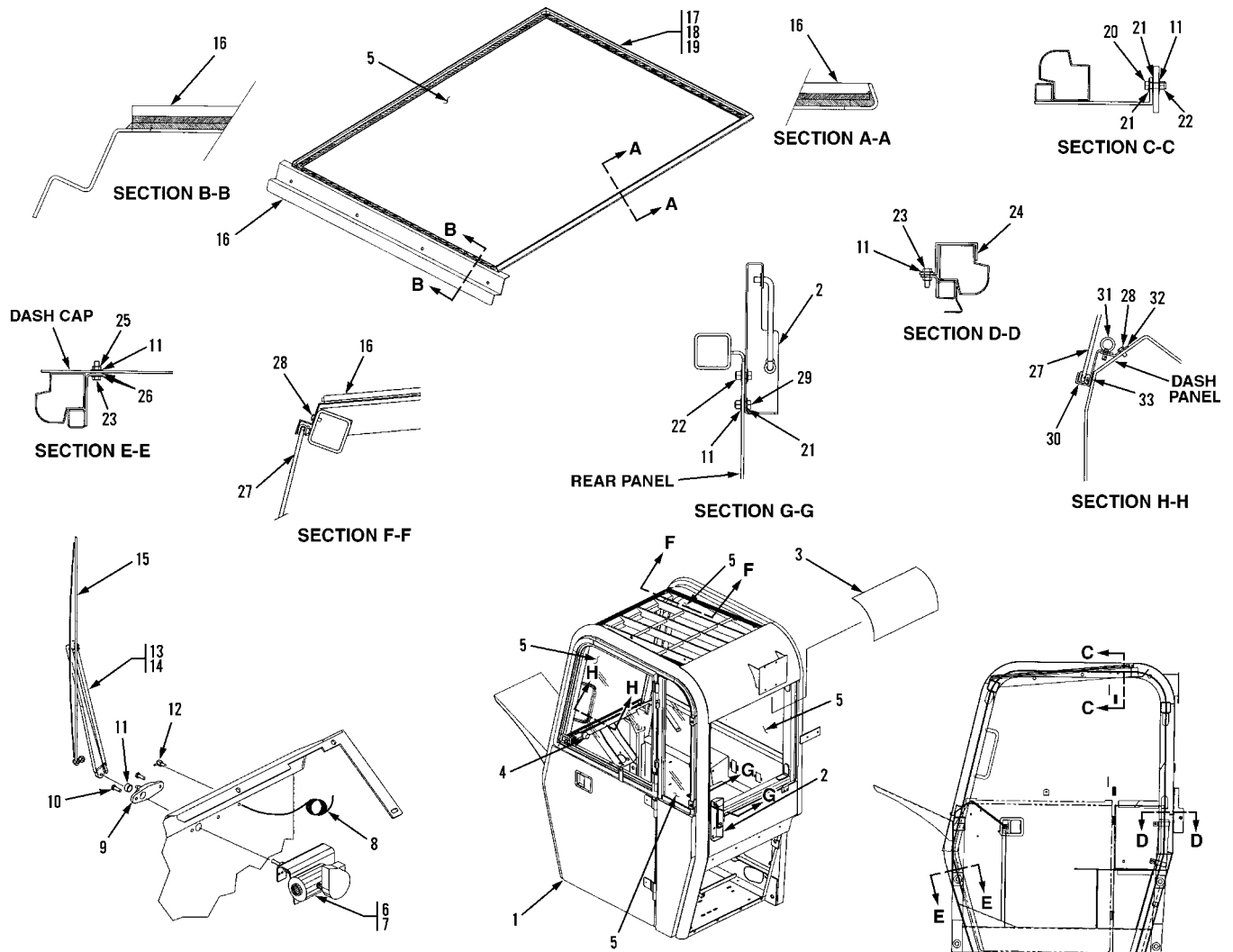


TOP VIEW OF 3 SECTION BOOM

Item	Part No.	Qty.	Description Of Part
	9149-5005		522D LO PRO DECAL KIT, WHITE, (std), (includes all items on page 12-1 except 18 thru 20, 32 thru 44; and all items on page 12-2 except 4 thru 7).
1	9112-3037	2	GRADALL DECAL, WHITE, (std)
	9112-3038	2	GRADALL DECAL, BLACK, (opt)
2	9109-3035	2	"522D" DECAL, WHITE, (std)
	9109-3036	2	"522D" DECAL, BLACK, (opt)
3	9100-3031	1	BOOM ANGLE DECAL, WHITE
4	9020-0445	1	PENDULUM
5	9020-0688	1	BEARING
6	9002-6491	1	SHOULDER BOLT, 1/4-20
7	9133-3036	1	SPECIAL WASHER
8	9114-3282	2	WARNING DECAL
9	9114-3290	1	WARNING DECAL
10	9055-3026	1	WARNING DECAL
11	9100-3016	1	"1" DECAL, WHITE, (std)
	9104-3134	1	"1" DECAL, BLACK, (opt)
12	9100-3018	1	"2" DECAL, WHITE, (std)
	9104-3135	1	"2" DECAL, BLACK, (opt)
13	9112-3042	1	"3" DECAL, WHITE, (std)
	9112-3043	1	"3" DECAL, BLACK, (opt)
14	9100-3020	1	"4" DECAL, WHITE, (std)
	9104-3136	1	"4" DECAL, BLACK, (opt)
15	8060-3037	3	WARNING DECAL
16	9148-3013	2	"LO-PRO" DECAL, WHITE (std)
	9148-3014	2	"LO-PRO" DECAL, BLACK (opt)
			NOTE: STANDARD DECALS ARE WHITE. OPTIONAL DECALS ARE BLACK. ONLY STANDARD DECALS ARE INCLUDED IN THE DECAL KIT.



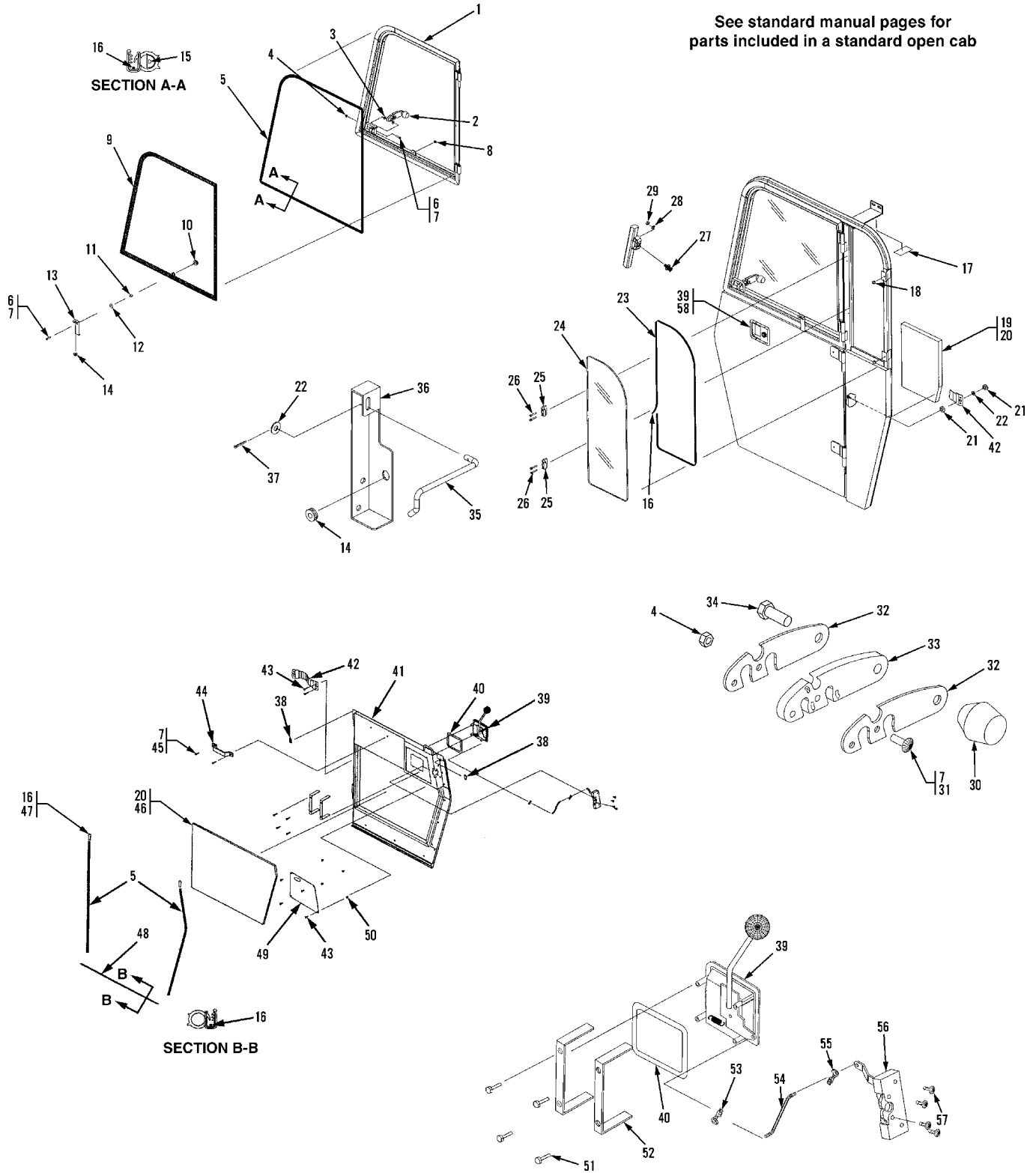
Item	Part No.	Qty.	Description Of Part
	9148-5007		524D LO PRO DECAL KIT, WHITE, (std), (includes all items on page 12-1 except 18 thru 20, 32 thru 44; and all items on page 12-2 except 4 thru 7)
1	9112-3037	2	GRADALL DECAL, WHITE, (std)
	9112-3038	2	GRADALL DECAL, BLACK, (opt)
2	9108-3561	2	"524D" DECAL, WHITE, (std)
	9108-3562	2	"524D" DECAL, BLACK, (opt)
3	9100-3031	1	BOOM ANGLE DECAL, WHITE
4	9020-0445	1	PENDULUM
5	9020-0688	1	BEARING
6	9002-6491	1	SHOULDER BOLT, 1/4-20
7	9133-3036	1	SPECIAL WASHER
8	9114-3282	2	WARNING DECAL
9	9114-3290	1	WARNING DECAL
10	9055-3026	1	WARNING DECAL
11	9100-3016	1	"1" DECAL, WHITE, (std)
	9104-3134	1	"1" DECAL, BLACK, (opt)
12	9100-3018	1	"2" DECAL, WHITE, (std)
	9104-3135	1	"2" DECAL, BLACK, (opt)
13	9112-3042	1	"3" DECAL, WHITE, (std)
	9112-3043	1	"3" DECAL, BLACK, (opt)
14	9100-3020	1	"4" DECAL, WHITE, (std)
	9104-3136	1	"4" DECAL, BLACK, (opt)
15	8060-3037	3	WARNING DECAL
16	9148-3013	2	"LO-PRO" DECAL, WHITE (std)
	9148-3014	2	"LO-PRO" DECAL, BLACK (opt)
			NOTE: STANDARD DECALS ARE WHITE. OPTIONAL DECALS ARE BLACK. ONLY STANDARD DECALS ARE INCLUDED IN THE DECAL KIT.



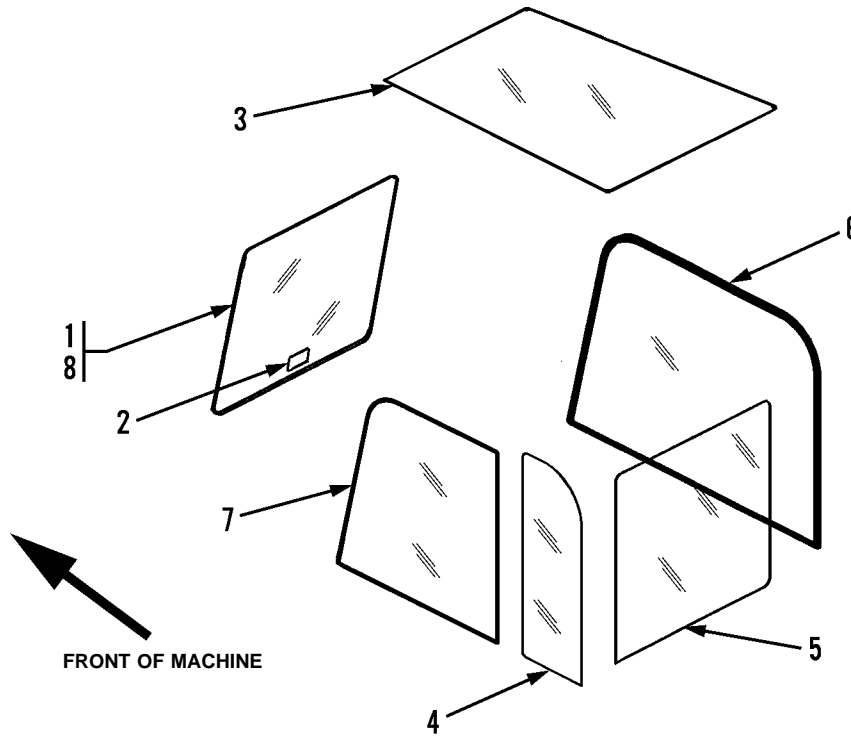
See standard manual pages for parts included in a standard open cab

Item	Part No.	Qty.	Description Of Part	Item	Part No.	Qty.	Description Of Part
1	9148-3036	1	CAB ENCLOSURE KIT, (includes all items on pages 13-1 thru 13-3)	*16	9136-3019	1	SKYLIGHT ASSY, (includes items 17 thru 19)
		Ref	L.H. SIDE ASSY, (see page 13-2 for details)	17	8036-4009	AR	HI VISCOSITY BLACK URETHANE
2		Ref	DOOR HOLD OPEN ASSY, (see page 13-2 for details)	18	9148-4005	AR	GLASS PREP, POWER BOND
3	9148-4019	1	FOAM HEADLINER, (inside cab)	19	9134-4009	1	SKYLIGHT FRAME WELDMENT
4		Ref	WINDOW LATCH ASSY, (see page 13-2 for details)	20	9133-4017	2	HEX BOLT, 0.375-16X1.25, GR5
5		Ref	CAB GLASS, (see page 13-3 for details)	21	9133-4033	6	FLAT WASHER, 0.375X0.88
6	9133-4008	1	WIPER MOTOR, (includes item 7)	22	9133-4018	4	LOCK NUT, 0.375-16
7		1	SHAFT & PIVOT ASSY	23	9133-4030	7	HEX BOLT, 0.312-18X1, GR5
8	9148-4020	10'	WASHER HOSE, .156X344	24	9133-4010	2	REAR LH PANEL CLAMP BRACKET
9	8038-4214	1	WIPER ARM ADAPTER	25	9133-4031	5	HEX NUT, 0.312-18, GR8
10	8038-4207	2	HEX SCREW, .25-28X.75, GR5	26	9133-4032	8	FLAT WASHER, 0.313X0.75
11	9133-4035	1	SPACER	27		Ref	FRONT WINDOW ASSY, (see page 13-3 for details)
12	8038-4206	1	WET ARM SPACER	28	8026-4066	8	SCREW, M6X1X12
13	8038-4210	1	WIPER ARM KIT	29	9133-4024	2	HEX BOLT, 0.375-16X0.875
14	8038-4211	1	WIPER ARM	30	9133-4015	1	FRONT WINDOW BRACKET
15	9148-4021	1	WIPER BLADE	31	9133-4028	2	RING PIN
				32	9133-4014	1	FRONT WINDOW ANGLE
				33	9133-4009	2.25'	FOAM, PSA, 1.25X.75

See standard manual pages for parts included in a standard open cab

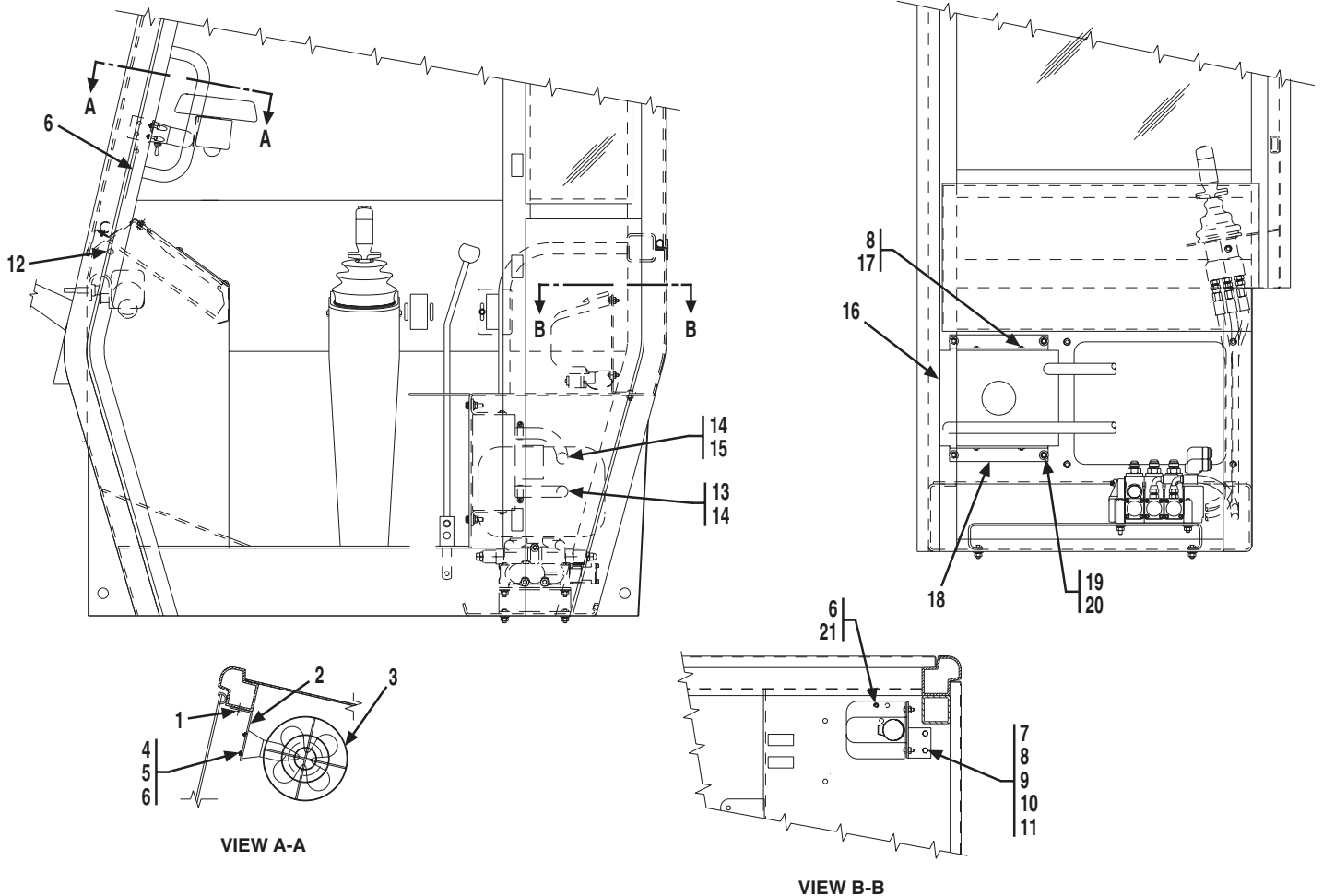


Item	Part No.	Qty.	Description Of Part	Item	Part No.	Qty.	Description Of Part
	9148-3036	1	CAB ENCLOSURE KIT, (includes all items on pages 13-1 thru 13-3)	24		Ref	LH SIDE WINDOW, (see page 13-3 for details)
	9148-4018	1	L.H. SIDE ASSY, (includes all items on page 13-2)	25	8026-4033	2	WINDOW CLIP
	9148-4022	1	UPPER DOOR ASSY, (includes items 1 thru 16)	26	8026-4034	4	SCREW, #10-32X1.50
	9134-4011	1	LOWER DOOR ASSY, (includes items 38 thru 50)	27	8026-4060	1	BOLT
	9133-4012	1	DOOR HOLD OPEN ASSY, (includes 1 of items 14 & 22 and items 35 thru 37)	28	8026-4061	1	FLAT WASHER
1	9148-4023	1	UPPER FRAME ASSY, (painted)	29	8026-4062	1	HEX NUT
2	9134-4013	1	WINDOW LATCH ASSY, (includes 1 of item 4 and items 30 thru 34)	30	8026-4108	1	KNOB
3	8026-4052	2	WASHER	31	9134-4024	1	SCREW, 0.25X1
4	9134-4020	2	NUT, 0.25-20, GR5	32	9134-4022	2	STEEL LATCH
5	9148-4024	16'	BULB SEAL	33	9134-4023	1	POLYURETHANE LATCH
6	9134-4017	2	SCREW, 0.25-20X1.25	34	9134-4021	1	HEX BOLT, 0.375-16X1
7	9134-4018	AR	LOCTITE, BLUE	35	9134-4029	1	DOOR HOLD OPEN ROD
8	8026-4078	1	LOCKNUT	36	9134-4028	1	DOOR HOLD BRACKET
9		Ref	UPPER DOOR GLASS, (see page 13-3 for details)	37	9134-4030	1	COTTER PIN
10	8026-4084	1	GROMMET	38	9134-4033	.25"	FOAM, PSA 3/16X5/8
11	9134-4015	1	STEEL BUSHING	39	9148-4028	1	PADDLE LATCH
12	8026-4082	1	FLAT WASHER	40	9148-4029	1'	BULB SEAL
13	9134-4016	1	DOOR ANGLE	41	9148-4030	1	LOWER DOOR
14	9134-4019	2	GROMMET, 0.375X0.875	42	9134-4027	1	DOOR STRAP
15	9134-4014	.17'	FOAM, 0.438X0.375	43	9134-4043	6	LOCTITE SCREW
16	9134-4046	AR	SEALANT	44	9134-4032	1	GRAB HANDLE
17	9148-4026	1	CAB KIT SERIAL TAG	45	9116-4096	2	FLANGE SCREW, 0.25-20X0.75
18	8036-4024	2	BUMPER	46	9134-4047	1	LOWER DOOR FOAM
19	9134-4025	1	LH SIDE PANEL FOAM	47	9134-4045	2	VINYL CAP
20	9134-4026	AR	ADHESIVE, HIGH PERFORMANCE	48	8026-4091	2.5'	BULB SEAL
21	9133-4018	2	LOCKNUT, 0.375-16	49	9148-4031	1	CENTER STIFFENER COVER
22	9133-4033	2	FLAT WASHER, 0.375X0.88	50	8026-4046	4	NUT
23	9134-4031	7'	BULB SEAL, 1/4 CLIP	51	8038-4191	4	SCREW
				52	9148-4034	2	MOUNTING BRACKET
				53	8038-4187	1	ROD RETAINER CLIP
				54	9148-4035	1	LINKAGE ROD
				55	8038-4185	1	ROD RETAINER CLIP
				56	9148-4036	1	CAM LATCH
				57	8026-4074	4	LOCTITE SCREW
				58	8096-4051	1	DOOR KEY



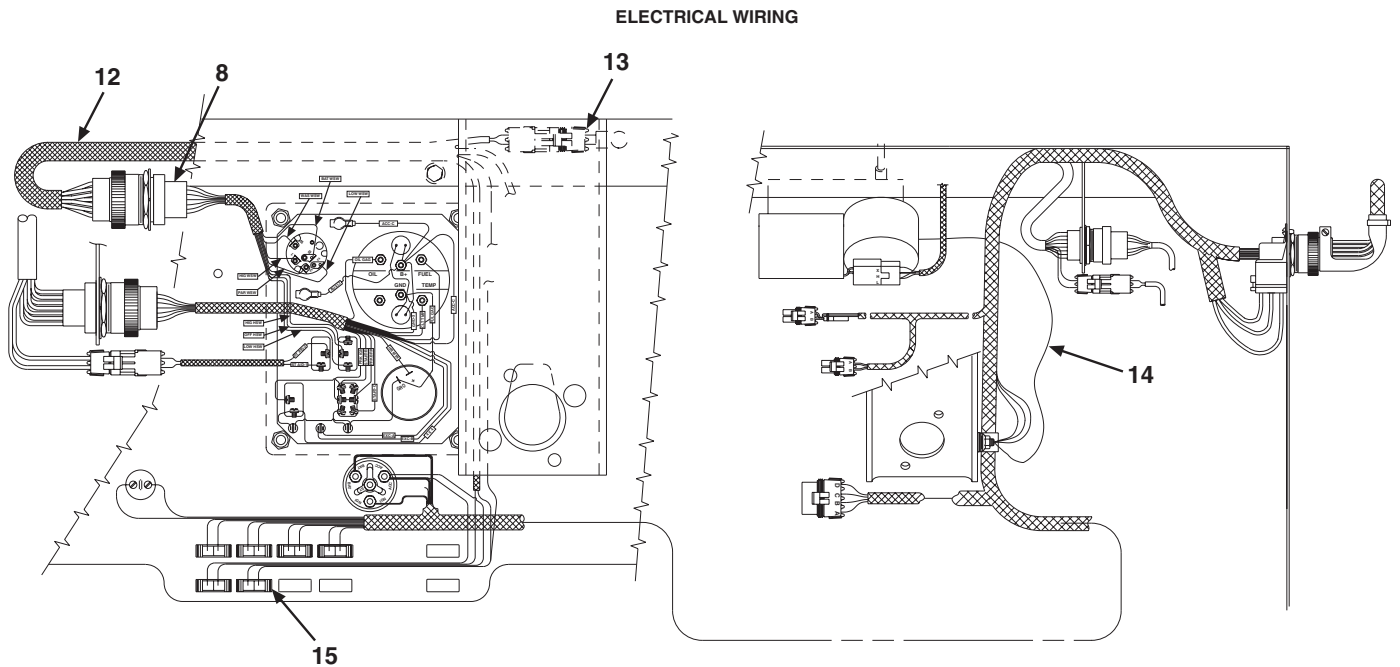
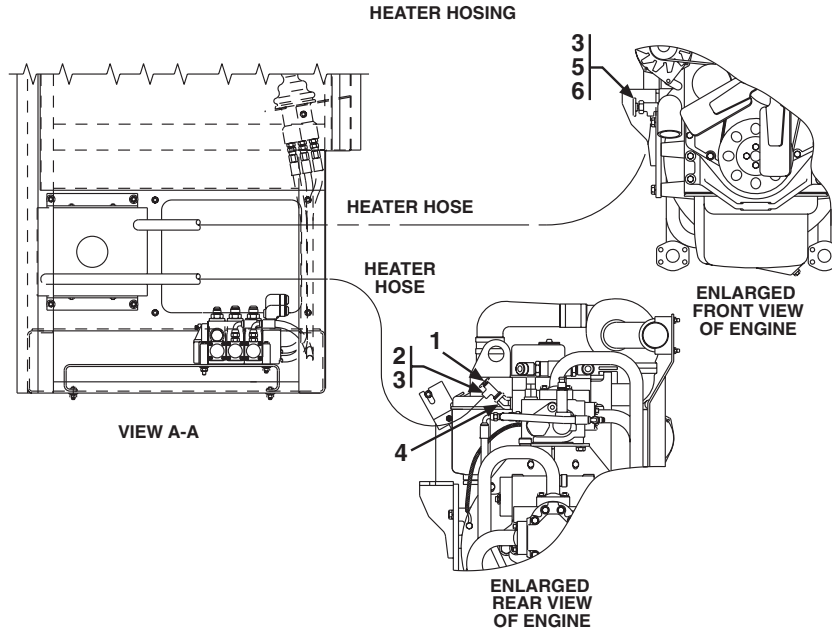
See standard manual pages for parts included in a standard open cab.

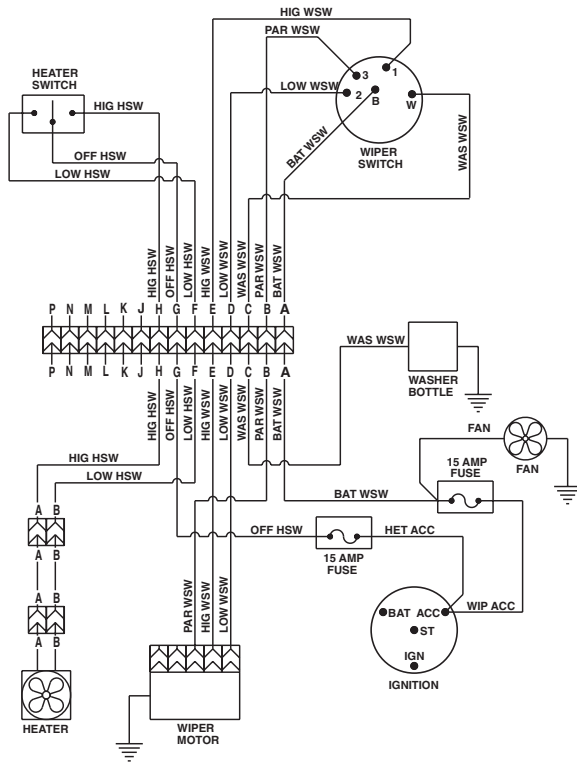
Item	Part No.	Qty.	Description Of Part
	9148-3036	1	CAB ENCLOSURE KIT, (includes all items on pages 13-1 thru 13-3)
	9148-4033	1	FRONT WINDOW ASSY, (includes items 1, 2 and 8)
1	9148-4032	1	FRONT WINDOW, 0.25 THICK, STD LT GREEN TINT, TEMPERED SAFETY GLASS
2	9134-4006	1	EMERGENCY EXIT DECAL, (needs replaced each time front window is ordered)
3	9116-4102	1	SKYLIGHT WINDOW, 0.25 THICK, STD LT GREEN TINT, TEMPERED SAFETY GLASS
4	9148-4004	1	R.H. SIDE WINDOW, 0.25 THICK, STD LT GREEN TINT, TEMPERED SAFETY GLASS
5	9148-4003	1	REAR WINDOW, 0.25 THICK, STD LT GREEN TINT, TEMPERED SAFETY GLASS
6	9148-4027	1	L.H. SIDE WINDOW, 0.25 THICK, STD LT GREEN TINT, TEMPERED SAFETY GLASS
7	9148-4025	1	UPPER DOOR GLASS, 0.25 THICK STD LT GREEN TINT, TEMPERED SAFETY GLASS
8	9134-4031	10.25'	BULB SEAL, 90 DEGREE, 1/4 CLIP



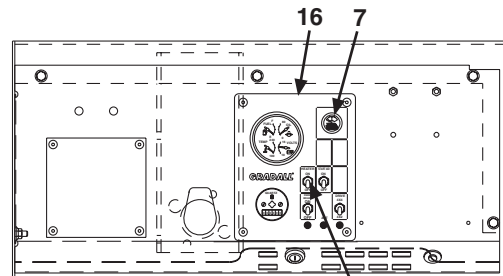
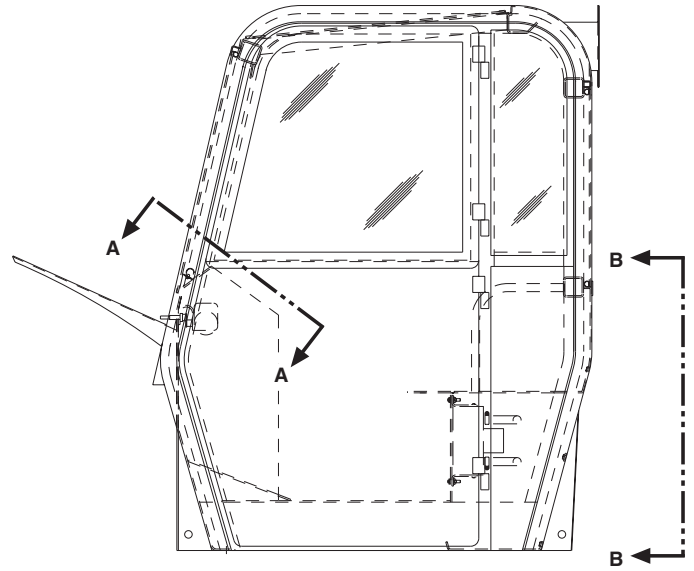
Item	Part No.	Qty.	Description Of Part
	9148-5003	1	CAB ENCLOSURE INSTALLATION, (includes all items on pages 13-4 and 13-5 plus 9148-3036 Cab Enclosure Kit)
	9148-3036	1	CAB ENCLOSURE KIT, (see pages 13-1 thru 13-3 for details)
1	9002-7319	2	SELF-TAPPING SCREW, 1/4-20X1
2	9108-1499	1	MOUNTING ANGLE
3	9020-0680	1	FAN
4	8821-1030	4	HEX SOCKET HD CAPSCREW, #10-24X3/4, GR8
5	7714-3017	4	WHIZ-LOC NUT, #10-24
6	9002-7214	3	RUBBER GROMMET
7	8850-1004	6	HEX NUT, 1/4-20
8	8855-1009	10	LOCKWASHER, 1/4
9	8820-1003	6	HEX HD CAPSCREW, 1/4-20X3/4, GR5
10	9114-6099	1	BOTTLE MOUNTING BRACKET

Item	Part No.	Qty.	Description Of Part
11	8368-3085	1	WASHER BOTTLE
12	8668-3480	1	BUTT CONNECTOR
13	9020-6169	1	HEATER HOSE
14	8668-3193	2	HOSE CLAMP
15	9114-1459	1	HEATER HOSE
16	9112-5106	1	HEATER ASSY, (includes the next 5 items & 17, 18 & 4 pcs of item 8)
	9104-3429	1	HEATER
	8203-3996	6"	FLEX LOOM
	8096-3057	1	TOWER
	8096-3068	2	FEMALE PIN TERMINAL
	8096-3067	2	CABLE SEALS
17	8820-1003	4	HEX HD CAPSCREW, 1/4-20X3/4, GR5
18	9103-1521	2	HEATER MOUNTING BRACKET
19	7714-3004	4	WHIZ-LOCK SCREW
20	7714-3006	4	WHIZ-LOCK NUT
21	7716-3102	1	FEMALE SPADE, 16-14 GA



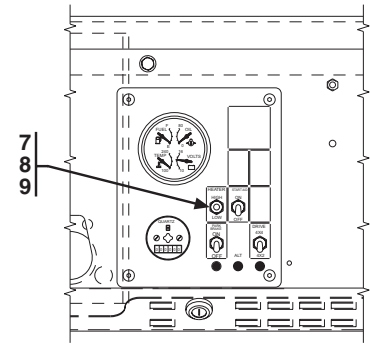
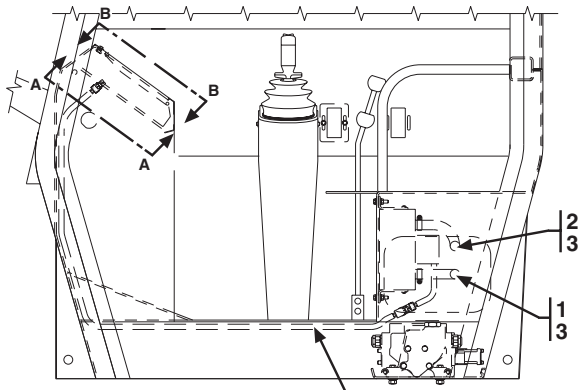


ELECTRICAL SCHEMATIC FOR CAB ENCLOSURE ITEMS

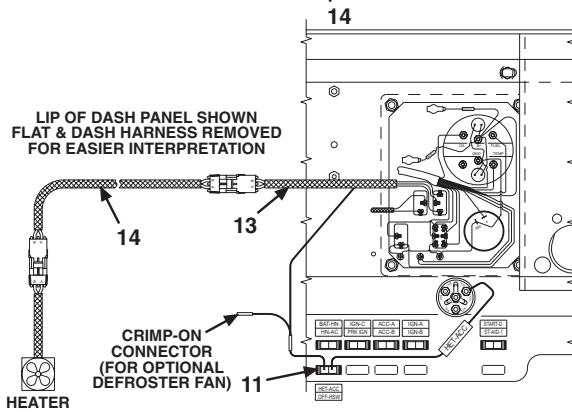


VIEW A-A

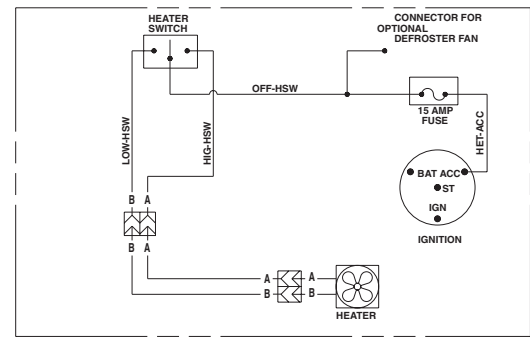
Item	Part No.	Qty.	Description Of Part	Item	Part No.	Qty.	Description Of Part
	9148-5003	1	CAB ENCLOSURE INSTALLATION, (includes all items on pages 13-4 and 13-5 plus 9148-3036 Cab Enclosure Kit)	5	8871-1383	1	PIPE BUSHING, 1/2X3/8
	9148-3036	1	CAB ENCLOSURE KIT, (see pages 13-1 thru 13-3 for details)	6	2464-1328	1	SHUT OFF VALVE
	9109-5034	Ref	GAUGE PANEL ASSEMBLY, (522D), (includes items 7 thru 11 and item 16)	7	8096-3101	1	WIPER & WASHER SWITCH
	9114-5128	Ref	GAUGE PANEL ASSEMBLY, (524D), (includes items 7 thru 11 and item 16)	8	9114-3333	1	WIPER-WASHER-HEATER HARNESS
1	9108-3155	1	TRUCK VALVE	9	7738-3744	1	HEATER SWITCH
2	7738-3540	1	COOLANT RESTRICTOR ORIFICE	10	7738-3470	1	BOOT
3	8668-3193	2	CLAMP	11	9114-3361	1	HEATER DECAL
4	8871-2034	1	STREET ELBOW, 45 DEGREES, 1/2	12	9114-3335	1	WIPER-HEATER OPTION HARNESS
				13	9112-3182	1	HEATER HARNESS
				14	9136-1018	1	JUMPER WIRE
				15	7736-3268	2	15-AMP FUSE
				16		Ref	GAUGE PANEL, (see page 11-4 for details)



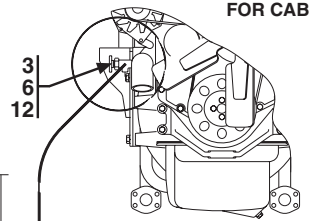
VIEW B-B



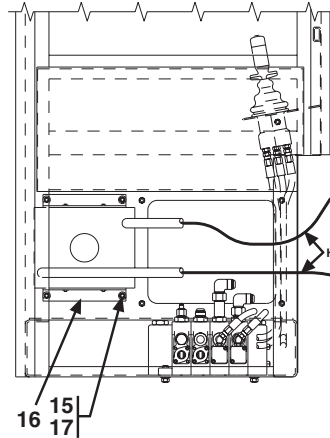
VIEW A-A



ELECTRICAL SCHEMATIC
 FOR CAB HEATER OPTION ITEMS

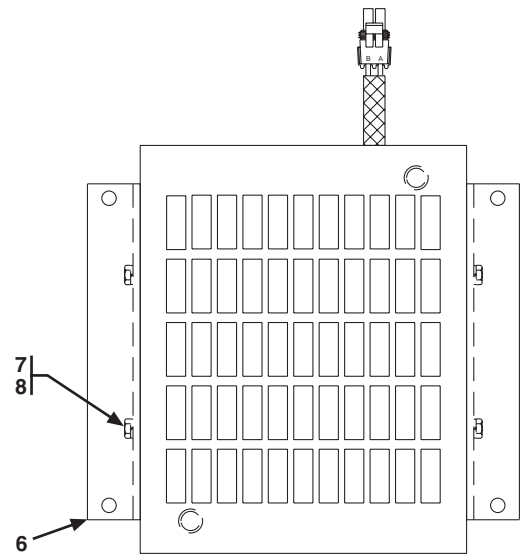
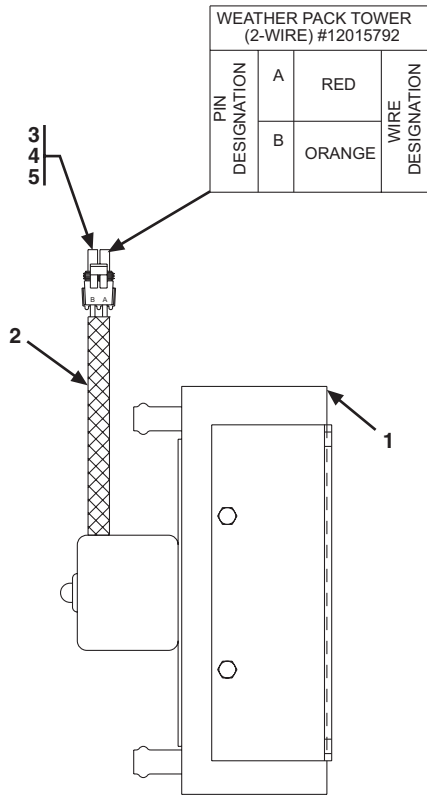


FRONT OF ENGINE

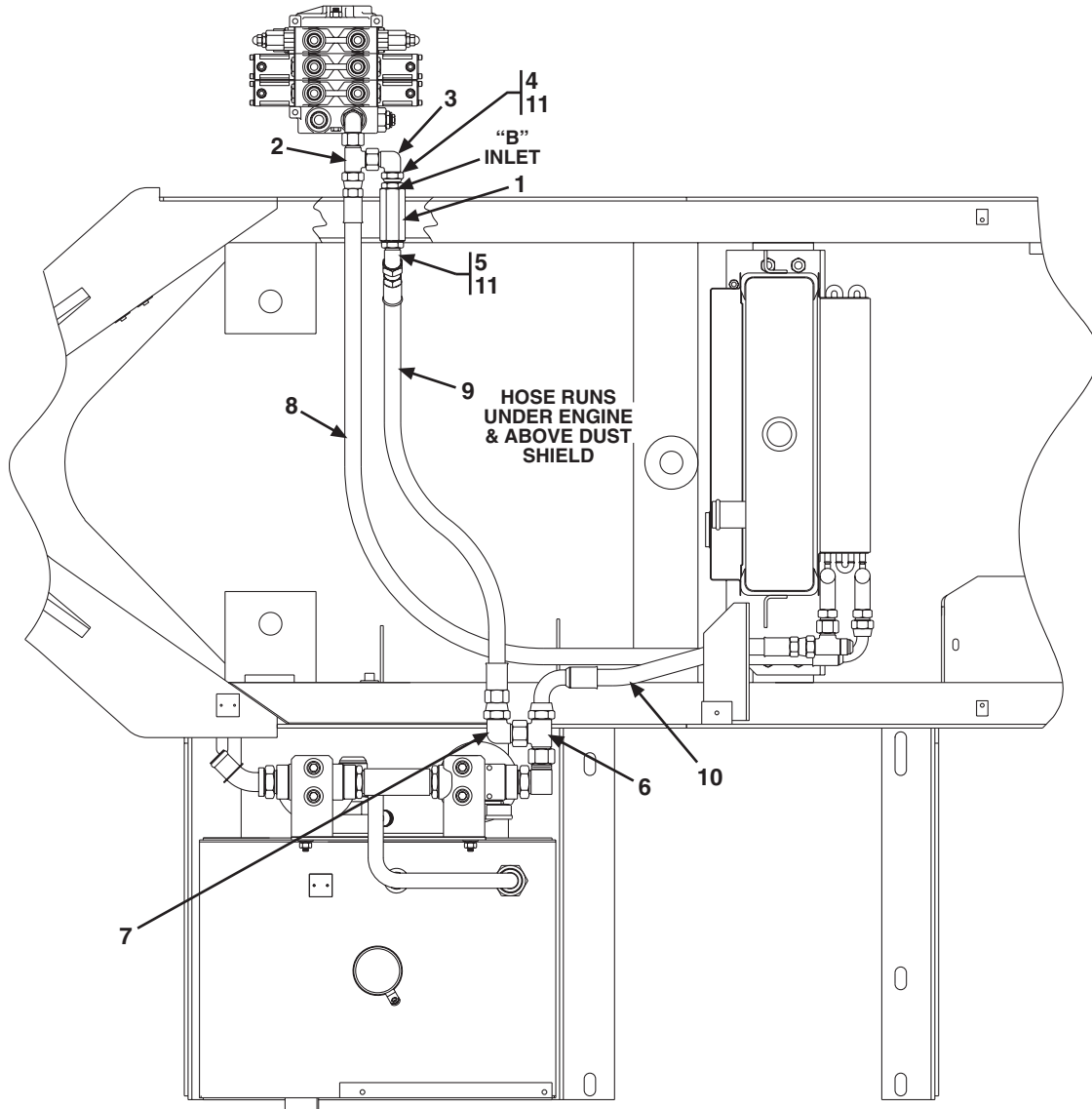


REAR OF ENGINE

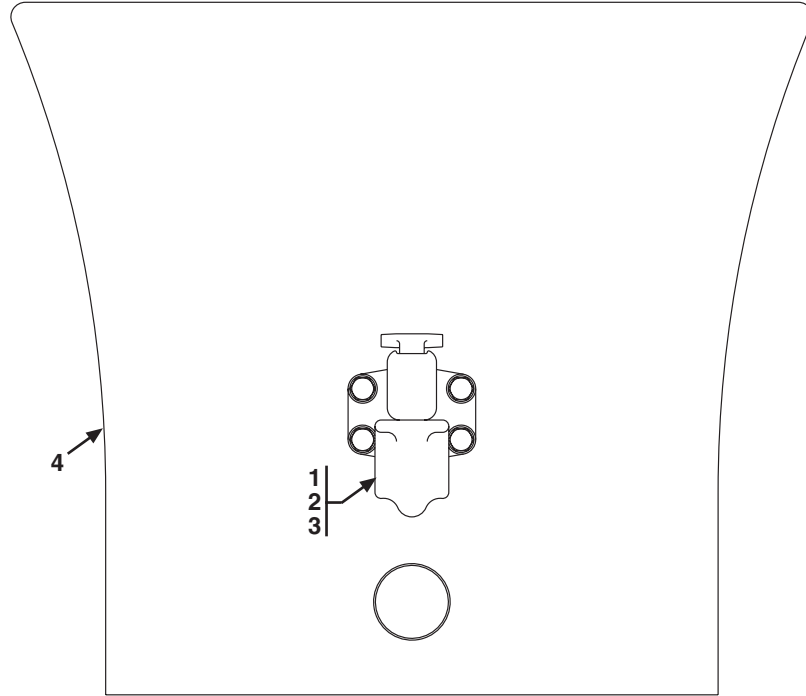
Item	Part No.	Qty.	Description Of Part	Item	Part No.	Qty.	Description Of Part
	9136-5017	1	CAB HEATER OPTION, (includes all items)	9	7738-3744	1	TOGGLE SWITCH
1	9020-6169	1	HEATER HOSE	10	7738-3540	1	COOLANT RESTRICTOR ORIFICE
2	9114-1459	1	HEATER HOSE	11	7736-3268	1	FUSE, 15 AMP
3	8668-3193	4	HOSE CLAMP	12	8871-1383	1	REDUCING BUSHING, 1/2X3/8
4	8871-2034	1	STREET ELBOW, 45 DEGREE, 1/2	13	9134-3040	1	HEATER HARNESS
5	9108-3155	2	TRUCK VALVE	14	9112-3182	1	HEATER HARNESS
6	2464-1328	1	SHUT OFF VALVE	15	7714-3004	4	WHIZ LOCK SCREW
7	9114-3361	1	HEATER DECAL	16		Ref	HEATER ASSEMBLY, (see page 13-7 for details)
8	7738-3470	1	BOOT	17	7714-3006	4	WHIZ LOCK NUT



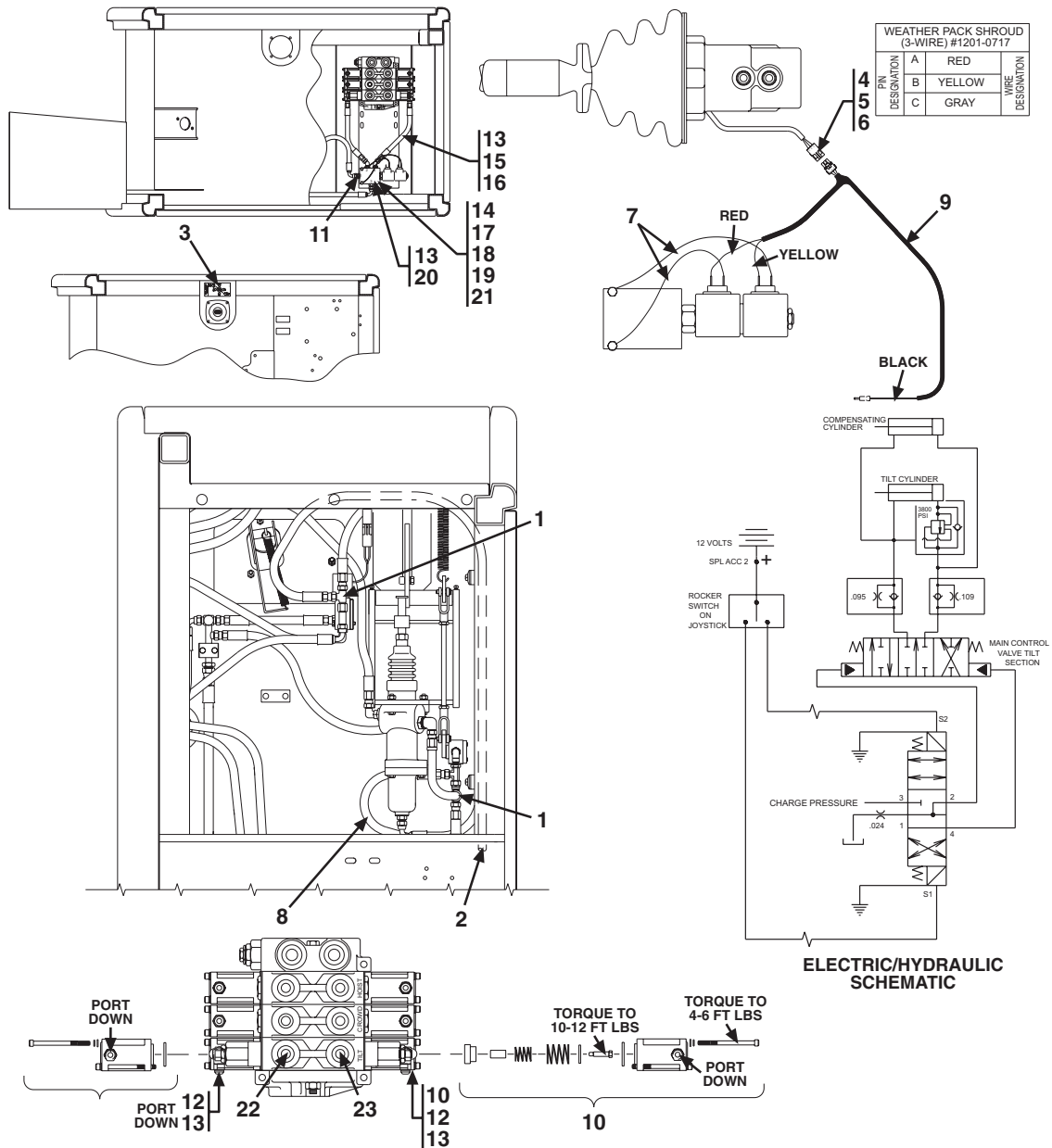
Item	Part No.	Qty.	Description Of Part
	9112-5106	1	HEATER ASSEMBLY, (includes all items)
1	9104-3429	1	HEATER
2	8203-3996	6"	FLEX LOOM
3	8096-3057	1	TOWER
4	8096-3068	2	FEMALE PIN TERMINAL
5	8096-3067	2	CABLE SEALS
6	9103-1521	2	HEATER MOUNTING BRACKET
7	8820-1003	4	HEX HD CAPSCREW, 1/4-20X3/4, GR5
8	8855-1009	4	LOCKWASHER, 1/4



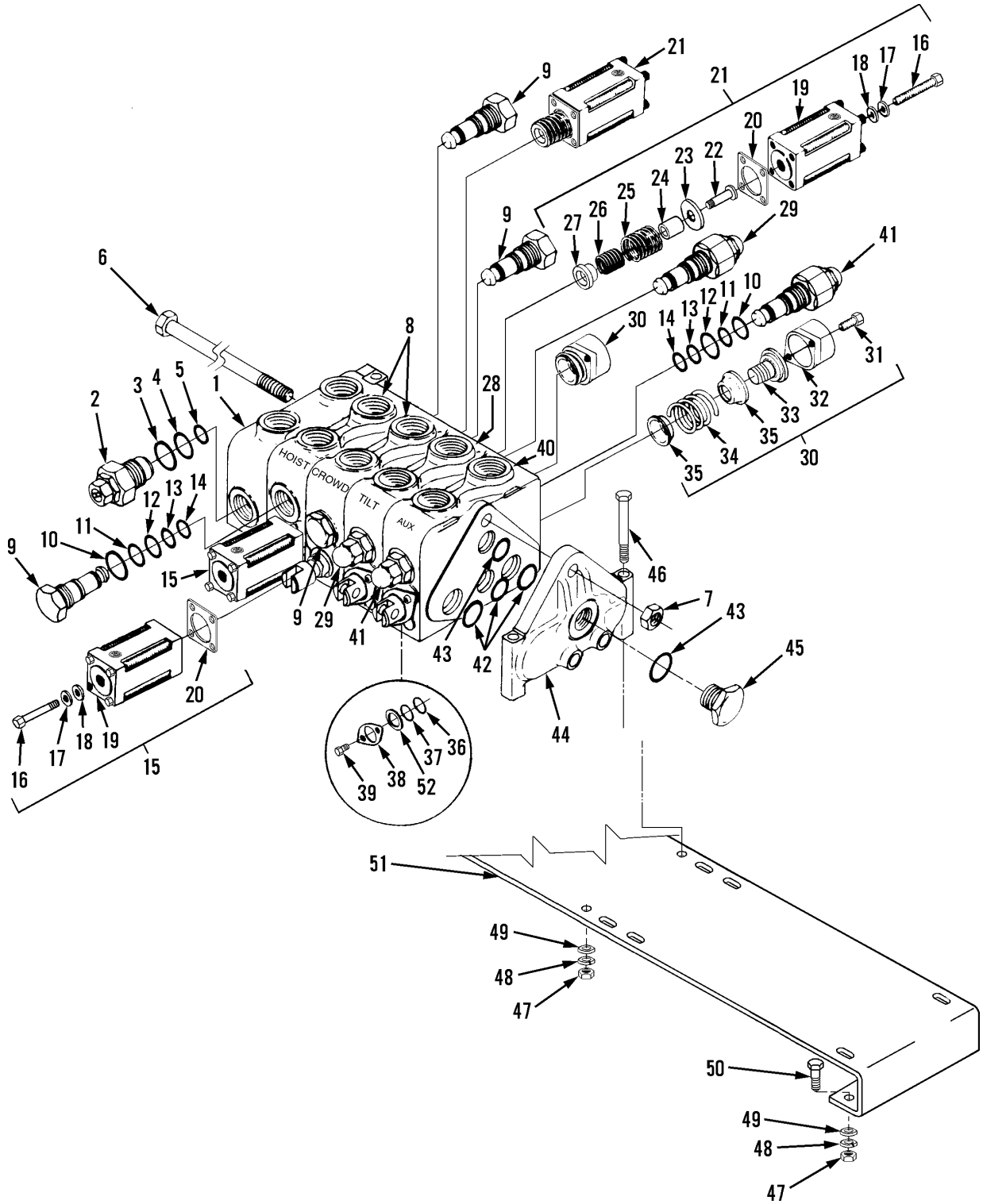
Item	Part No.	Qty.	Description Of Part
	9112-5056	1	INLINE BY-PASS, (includes all items)
1	9116-3191	1	INLINE VALVE
2	8866-2242	1	SWIVEL NUT RUN TEE, 3/4 TUBE
3	8866-2108	1	ELBOW, 90 DEGREE, (swivel nut)
4	9116-3121	1	STRAIGHT THREAD ADAPTER, (includes item 11)
5	8866-2087	1	ELBOW, 45 DEGREE, (includes item 11)
6	8866-2244	1	SWIVEL NUT RUN TEE, 1 TUBE
7	8866-2110	1	ELBOW, 90 DEGREE, (swivel nut)
8		Ref	HOSE ASSEMBLY, (see page 9-2, item 29 for details)
9	8471-8925	1	HOSE ASSEMBLY
10	8471-8926	1	HOSE ASSEMBLY
11	8859-1207	2	O-RING



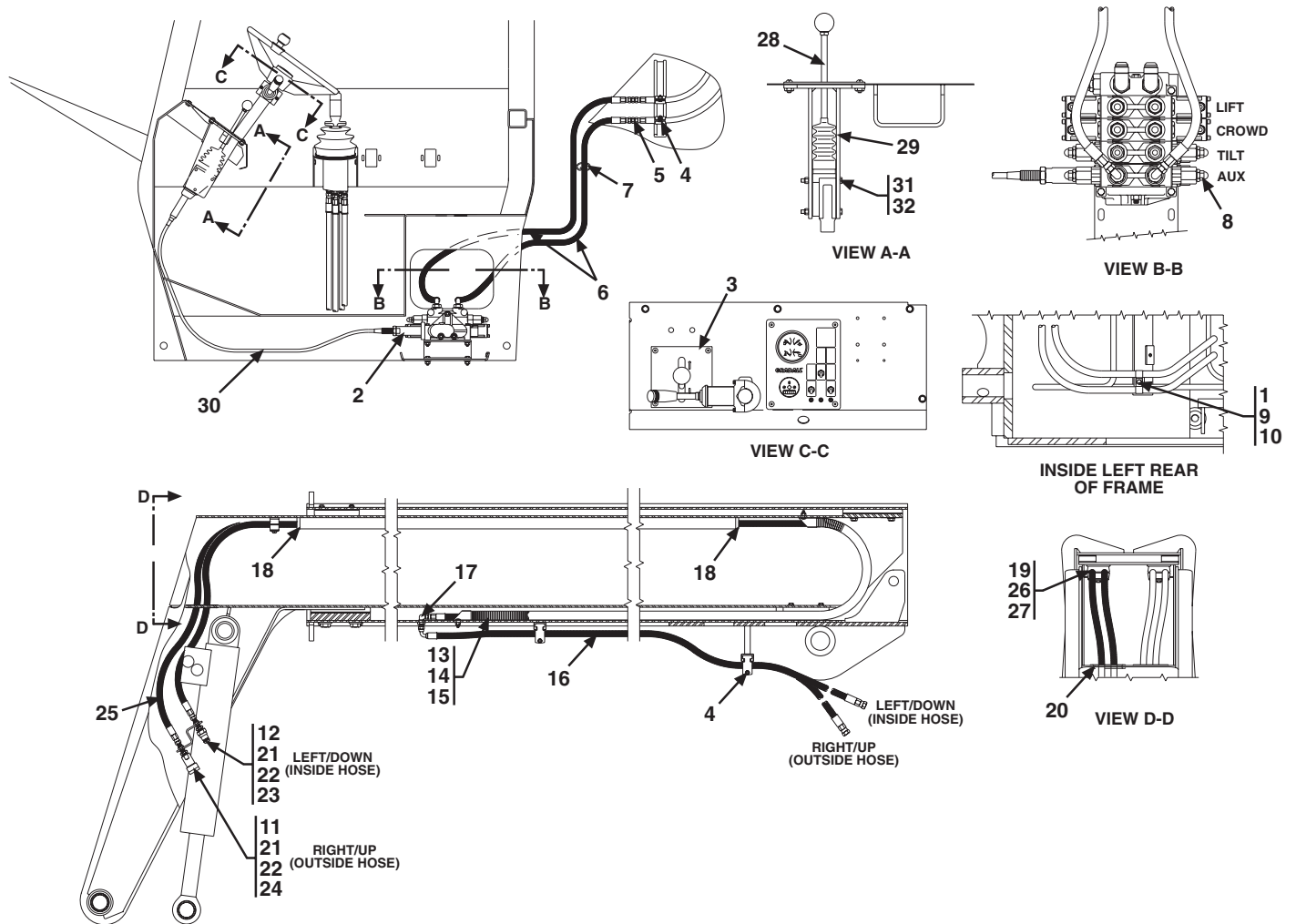
Item	Part No.	Qty.	Description Of Part
	9108-5115	1	TOW HOOK INSTALLATION, (includes items 1 thru 3)
1	9020-0602	1	PINTLE HOOK
2	8320-1120	4	HEX HD CAPSCREW, 1/2-13X1-3/4
3	8855-1013	4	LOCKWASHER, 1/2
4		Ref	COUNTERWEIGHT PLATE, (see page 2-1 for details)



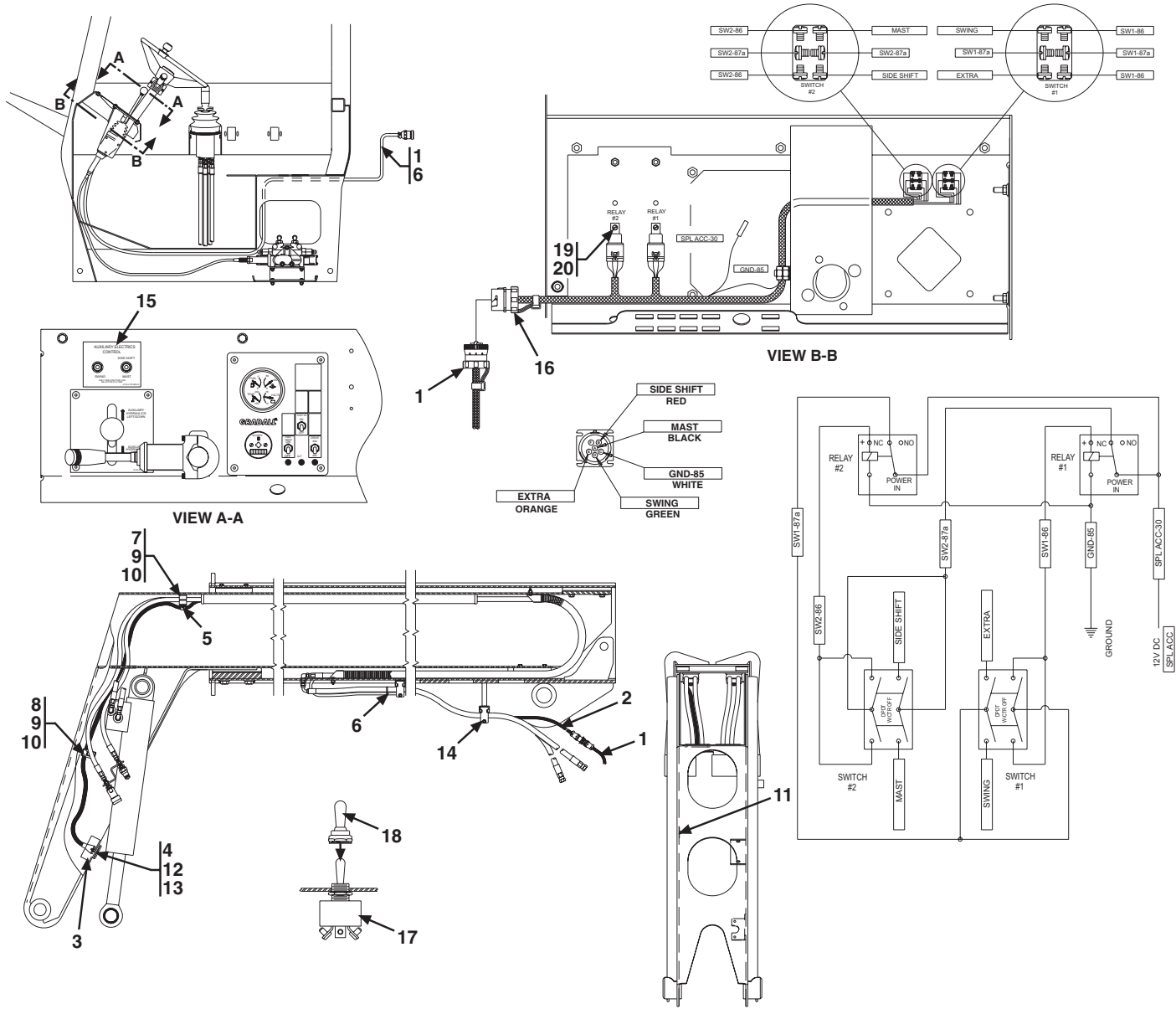
Item	Part No.	Qty.	Description Of Part	Item	Part No.	Qty.	Description Of Part
	9148-5011	1	JOYSTICK INSTALLATION, (tilt on joystick), (includes all items)	12	8866-2064	2	ELBOW, 90 DEGREE, (includes item 13)
1	8866-2239	2	SWIVEL NUT RUN TEE, 3/8 TUBE	13	8859-1204	5	O-RING
2	8471-7306	1	HOSE ASSEMBLY	14	9130-3038	1	SOLENOID VALVE
3	9130-3041	1	BOOM CONTROL DECAL	15	8866-2084	2	ELBOW, 45 DEGREE, (includes item 13)
4	8096-3060	1	WEATHER PACK SHROUD	16	8471-7537	2	HOSE ASSEMBLY
5	8096-3069	3	WEATHER PACK MALE PIN TERMINAL	17	8820-1011	2	HEX HD CAPSCREW, 1/4-20X2-1/2, GR5
6	9114-3187	3	WEATHER PACK CABLE SEAL	18	8855-1004	2	LOCKWASHER, #5
7	9020-7719	2	JUMPER WIRE, (green)	19	8850-1004	2	HEX NUT, 1/4-20
8	8471-7893	1	HOSE ASSEMBLY	20	8866-2005	1	CONNECTOR, (includes item 13)
9	9108-3490	1	JOYSTICK HARNESS	21	9130-1065	1	SPACER
10	9112-3075	1	HYDRAULIC VALVE POSITIONER KIT	22	9108-3425	1	WORK PORT RESTRICTOR, (.062)
11	9108-5071	1	MODIFIED CONNECTION	23	9108-3426	1	WORK PORT RESTRICTOR, (.070)



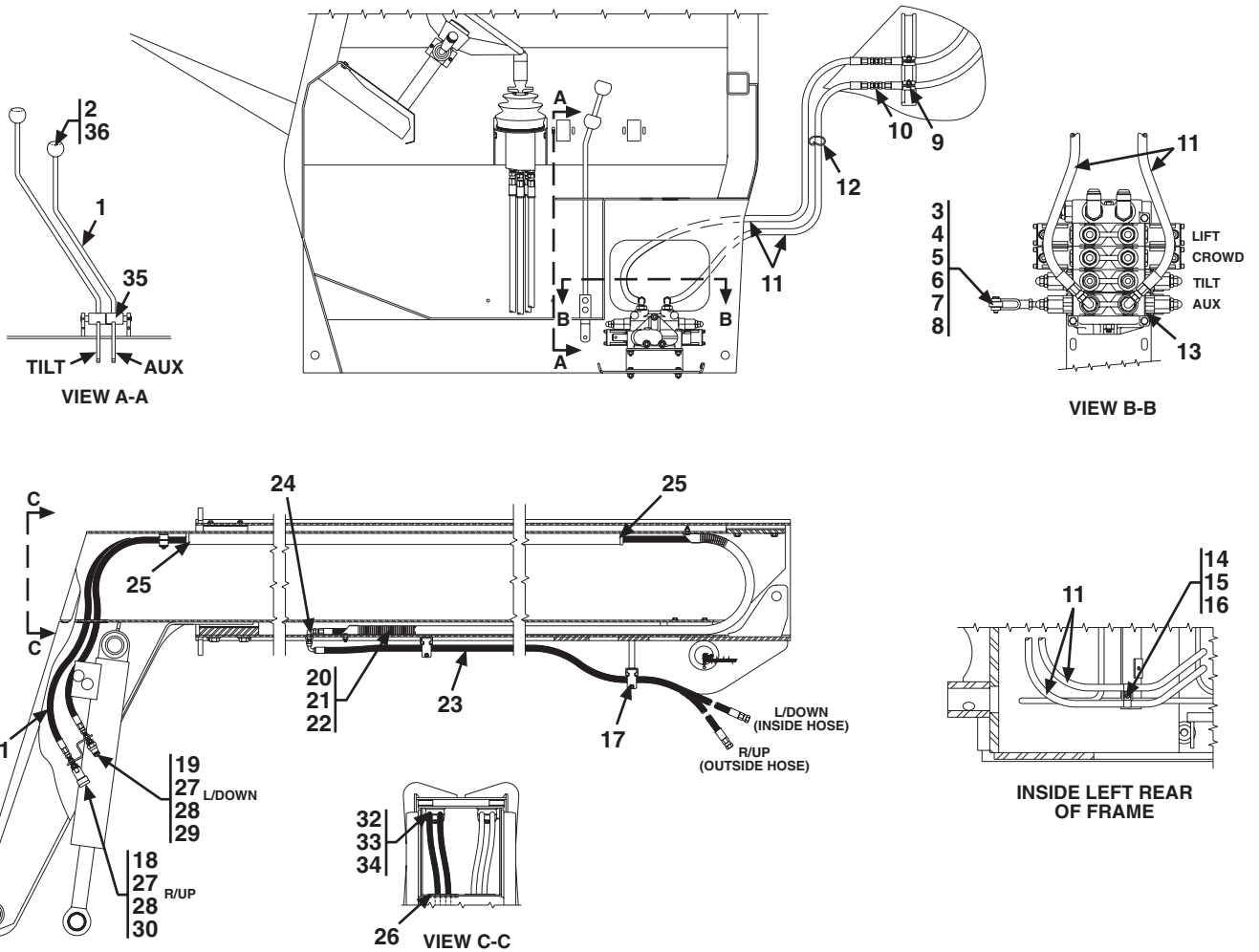
Item	Part No.	Qty.	Description Of Part	Item	Part No.	Qty.	Description Of Part
	9148-3004	1	MAIN HYDRAULIC CONTROL VALVE AUXILIARY ASSY, (includes all items except 46 thru 51)	23		1	WASHER
	9140-4177	1	STUD KIT, (includes items 6 & 7)	24		1	STOP SLEEVE
	9140-4178	5	VALVE SECTION SEAL KIT, (includes items 42 & 43)	25		1	SPRING, (large)
	9140-4179	1	MAIN RELIEF SEAL KIT, (includes items 3, 4, & 5)	26		1	SPRING, (small)
	9108-4201	8	PLUG SEAL KIT, (includes items 10 thru 14)	27		1	STOP COLLAR
	9140-4180	2	SEAL RETAINER KIT, (includes one of item 38 and two of item 39)	28	9108-4012	1	VALVE SECTION ASSY, (Tilt), (includes one each of items 30 & 38 and two each of 29, 36, 37, 39 & 52)
	9140-4181	4	SPOOL SEAL KIT, (includes one each of items 36 & 37)	29	9108-4199	2	RELIEF CARTRIDGE, (includes items 10 thru 14)
1	9108-4008	1	INLET COVER ASSY, (includes item 2)	30	9140-4190	2	SPOOL POSITIONER ASSY, (includes items 31 thru 35)
2	9108-4009	1	MAIN RELIEF CARTRIDGE, (includes items 3, 4 & 5)	31		2	SCREW
3		1	O-RING	32		1	BONNET
4		1	BACK UP RING	33		1	SPOOL SPUD
5		1	O-RING	34		1	SPRING
6		3	HEX HD CAPSCREW	35		2	SPRING COLLAR
7		3	HEX NUT	36		4	BACK UP WASHER
8	9108-4277	2	VALVE SECTION ASSY, (Hoist & Crowd), (includes items 9, 15 & 21)	37		4	O-RING
9	9140-4183	4	LOAD CHECK PLUG, (includes items 10 thru 14)	38		2	RETAINER PLATE
10		2	O-RING	39		4	SCREW
11		1	BACK UP RING	40	9148-4016	1	VALVE SECTION ASSY, (Aux), (includes one each of items 30 & 38 and two each of 36, 37, 39, 41 & 52)
12		1	O-RING	41	9148-4017	2	RELIEF CARTRIDGE, (includes items 10 thru 14)
13		1	O-RING	42		3	O-RING
14		2	BACK UP RING	43		2	O-RING
15	9140-4184	2	HYDRAULIC REMOTE POSITIONER, (includes items 16 thru 20)	44	9108-4278	1	OUTLET COVER ASSY, (includes item 45)
16		4	SCREW	45	9108-4279	1	PLUG
17		4	LOCKWASHER	46	8820-1028	3	HEX HD CAPSCREW, 5/16-18X3, GR5
18		4	BEARING PLATE	47	8850-1005	7	HEX NUT, 5/16-18
19		1	BONNET	48	8855-1010	7	LOCKWASHER, 5/16
20		1	SEAL	49	8856-1003	7	FLAT WASHER, 5/16
21	9140-4185	2	HYDRAULIC REMOTE POSITIONER, (includes items 16 thru 20 & 22 thru 27)	50	8820-1020	4	HEX HD CAPSCREW, 5/16-18X1
22		1	SPUD POSITIONER	51	9138-1009	1	VALVE SUPPORT, (partially illustrated)
				52	9140-4214	4	SEAL RETAINER
							NOTE: ONLY ITEMS WITH PART NUMBERS ARE AVAILABLE FOR SERVICE.



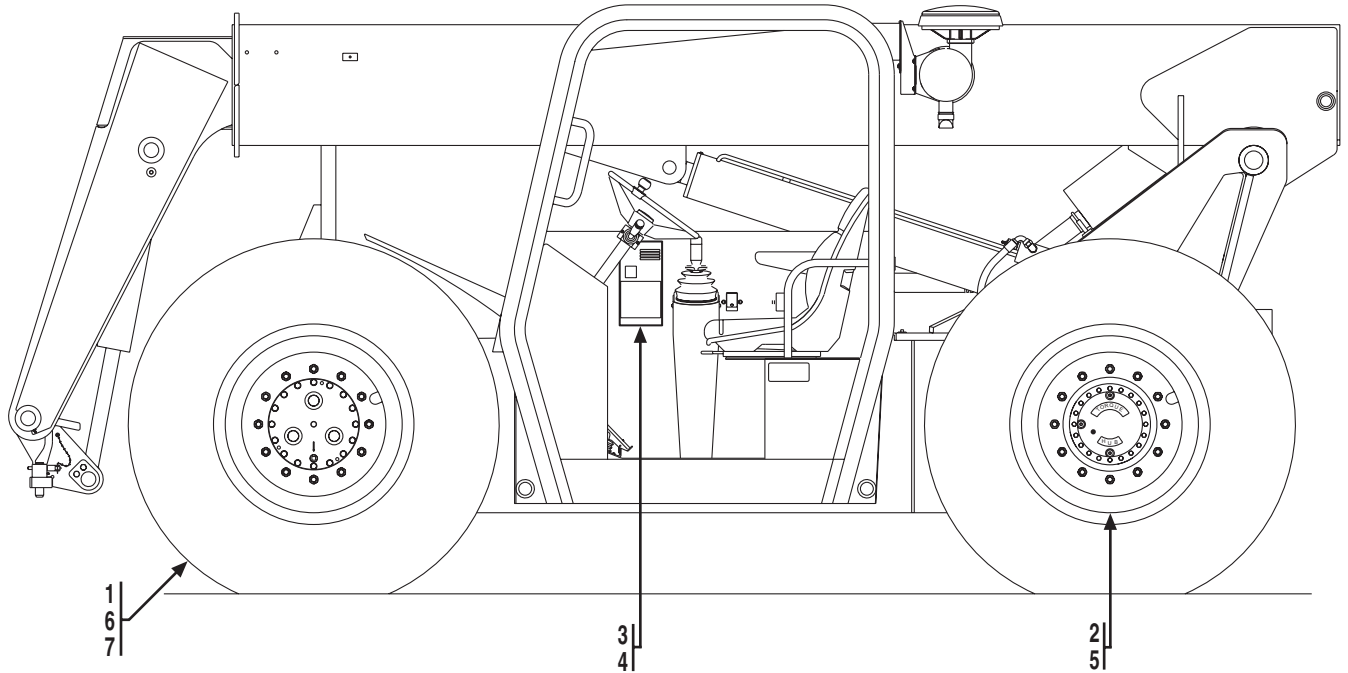
Item	Part No.	Qty.	Description Of Part	Item	Part No.	Qty.	Description Of Part
	9148-5008	1	AUX. HYDRAULICS ASSEMBLY, (2 section boom), (includes all items)	15	8852-1205	4	HEX LOCKNUT, 5/16-18
	9134-5010	1	REMOTE VALVE CONTROL ASSY, (includes items 28 thru 32)	16	8471-7563	2	HOSE ASSEMBLY
1	8856-1108	1	FLAT WASHER, 5/16	17	9002-7179	2	ELBOW, 90 DEGREE
2	9112-3062	1	CABLE ADAPTER BONNET	18	9020-6194	8"	TRIM-LOCK, (sold in 25' lengths)
3	9136-3045	1	GUIDE PLATE	19	7713-3177	1	HEX HD CAPSCREW, 5/16-18X1-3/8
4	9020-7463	6	CUSHION CLAMP, 3/4	20	9020-6199	28"	TRIM-LOCK, (sold in 25' lengths)
5	8866-1065	2	UNION, 1/2 TUBE	21	9112-3061	2	BULK HEAD FITTING
6	8471-8026	2	HOSE ASSEMBLY	22	8871-2305	2	REDUCING BUSHINGS, 1/2x1/4
7	9002-7187	10	TIE WRAP	23	9020-4244	1	MALE HYDRAULIC COUPLER
8		Ref	CONTROL VALVE ASSEMBLY, (see page 13-11 for details)	24	9020-4245	1	FEMALE HYDRAULIC COUPLER
9	9104-3174	2	SUPPORT CLAMP	25	8471-8032	2	HOSE ASSEMBLY
10	8820-1022	1	HEX HD CAPSCREW, 5/16-18X1-1/2, GR5	26	7713-3139	1	CLAMP SET
11	9104-3125	1	DUST PLUG	27	7713-3140	1	COVER PLATE
12	9104-3126	1	DUST CAP	28	9130-3019	1	REMOTE VALVE CONTROL
13	9108-3290	1	HOSE CARRIER	29	9136-6007	1	LEVER BRACKET
14	8841-1037	4	ROUND HD CARRIAGE BOLT, 5/16-18X1	30	9136-3043	1	CONTROL CABLE
				31	8820-1012	3	HEX HD CAPSCREW, 1/4-20X2-3/4, GR5
				32	8852-1304	3	HEX LOCKNUT, 1/4-20



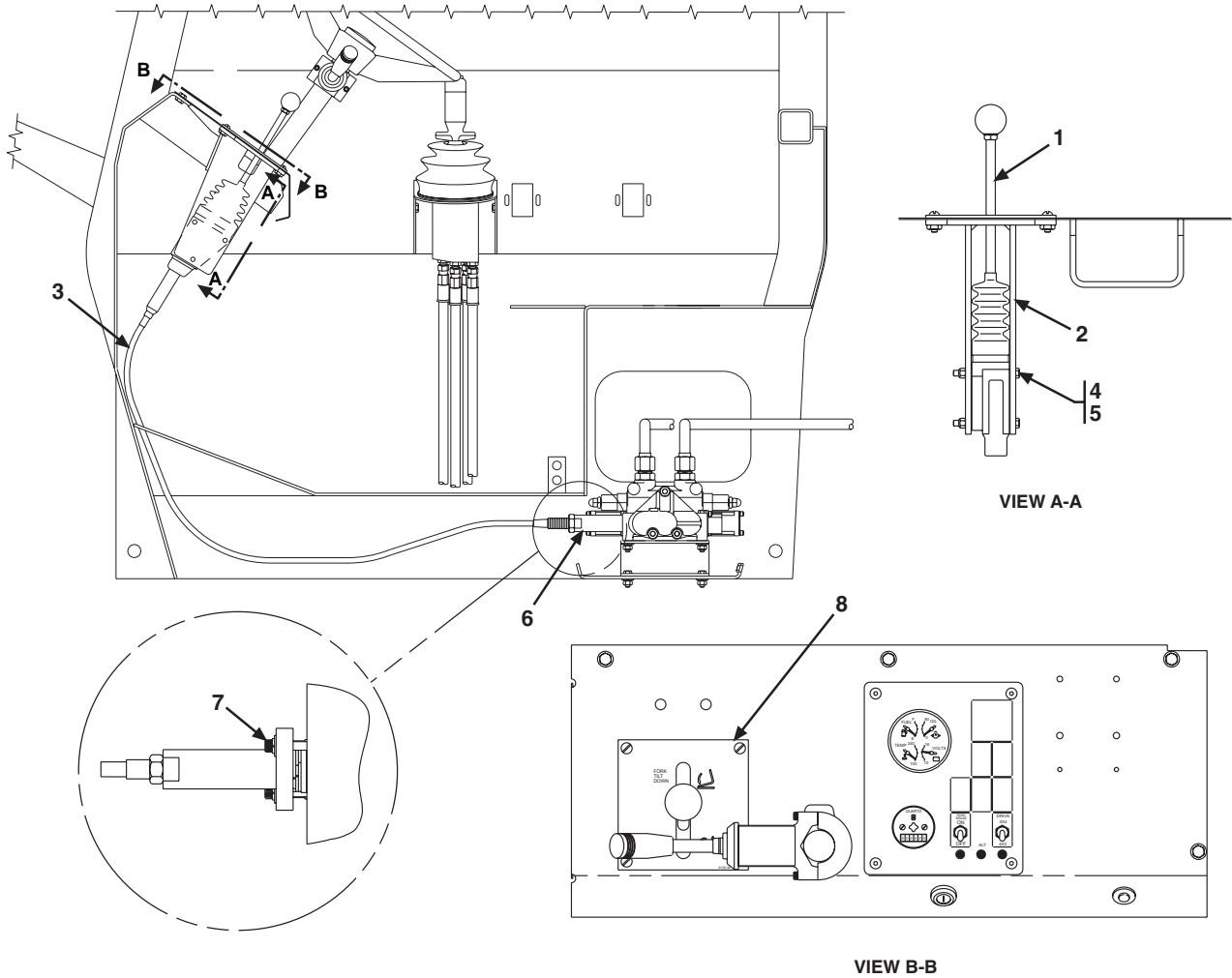
Item	Part No.	Qty.	Description Of Part	Item	Part No.	Qty.	Description Of Part
	9108-5125	1	AUX. ELECTRONICS ASSEMBLY, (2 section boom), (includes all items)	11	7713-3141	1	BASE PLATE
1	9114-3105	1	AUX FRAME HARNESS	12	8820-1005	2	HEX HD CAPSCREW, 1/4-20X1, GR5
2	9108-3550	1	AUX BOOM HARNESS	13	8852-1304	2	HEX LOCKNUT, 1/4-20
3	9112-1283	1	RECEPTICAL BRACKET	14	9108-3216	2	CUSHION CLAMP
4	9020-7661	1	6 CONTACT SOCKET	15	9112-3155	1	DECAL
5	8594-1016	1	SUPPORT CLAMP	16	9112-3154	1	AUX DASH HARNESS
6	9002-7187	24	NYLON TIE	17	7716-3204	2	SWITCH
7	7713-3139	1	CLAMP SET	18	7738-3470	2	SWITCH BOOT
8	7713-3168	1	CLAMP SET	19	8830-1088	2	RD HD MACH SCREW, #10-24X3/8
9	7713-3140	2	COVER PLATE	20	8856-1105	2	FLAT WASHER, #10
10	7713-3177	2	HEX BOLT				



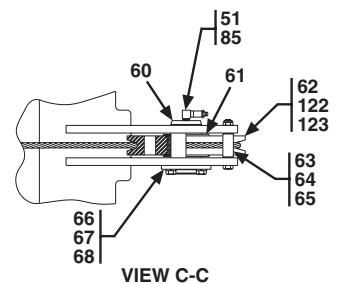
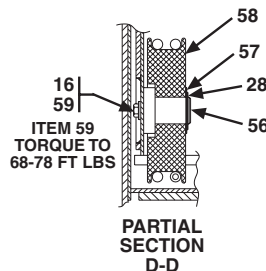
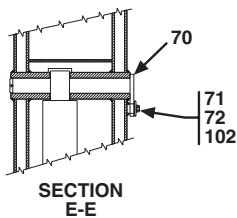
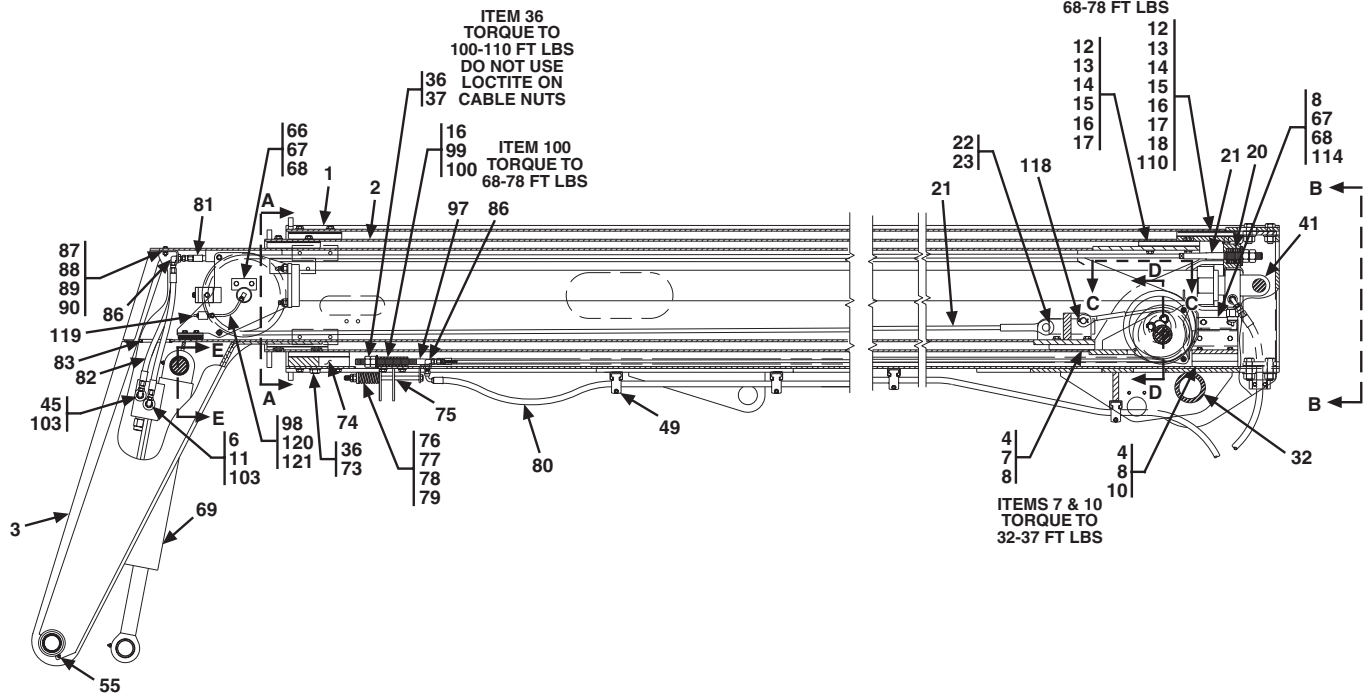
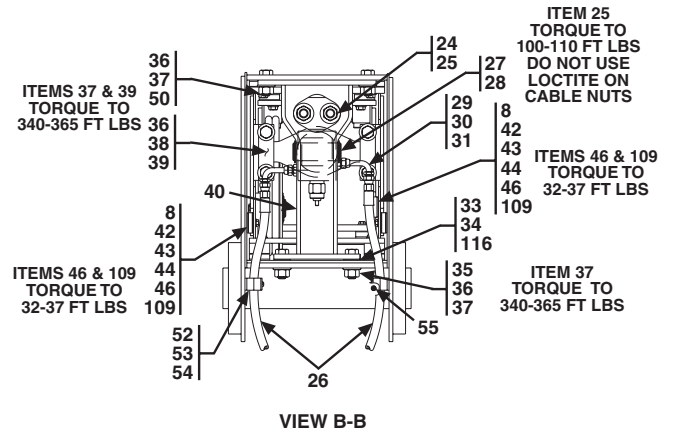
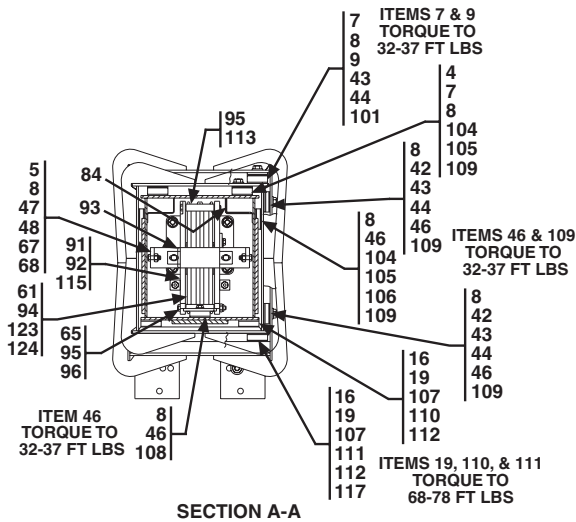
Item	Part No.	Qty.	Description Of Part	Item	Part No.	Qty.	Description Of Part
	9148-5013	1	R.H. AUXILIARY HYDRAULIC ASSEMBLY, (2 section boom), (includes all items)	17	9020-7463	4	CUSHION CLAMP
	9138-5008	1	LEVER ASSY, (includes items 1, 35 & 36)	18	9104-3125	1	DUST PLUG
1	9138-6006	1	AUXILIARY LEVER WELDMENT	19	9104-3126	1	DUST CAP
2	9108-3547	1	AUXILIARY DECAL	20	9108-3290	1	HOSE CARRIER
3	8882-1004	1	ADJUSTABLE YOKE END	21	8841-1037	4	ROUND HD CARRIAGE BOLT, 5/16-18X1
4	9002-7987	1	SPRING CLEVIS	22	8852-1205	4	HEX LOCKNUT, 5/16-18
5	8850-1406	1	HEX JAM NUT, 3/8-24	23	8471-7563	2	HOSE ASSEMBLY
6	9108-6081	1	ROD LINKAGE	24	9002-7179	2	ADAPTER, 90 DEGREE, BULKHEAD
7	9002-1552	1	CLEVIS PIN	25	9020-6194	8"	TRIM-LOCK
8	8863-1301	1	COTTER PIN, 1/16X1/2	26	9020-6199	28"	TRIM-LOCK
9	9138-3039	2	CUSHION CLAMP	27	9112-3061	2	BULKHEAD FITTING
10	8866-1065	2	UNION, 1/2 TUBE	28	8871-2305	2	REDUCING BUSHING, 1/2X1/4
11	8471-8026	2	HOSE ASSY	29	9020-4244	1	MALE HYDRAULIC COUPLER
12	9002-7187	10	TIE WRAP	30	9020-4245	1	FEMALE HYDRAULIC COUPLER
13		Ref	MAIN CONTROL VALVE, (see page 13-11 for details)	31	8471-8032	2	HOSE ASSY
14	9104-3147	2	SUPPORT CLAMP	32	7713-3139	1	CLAMP SET
15	8820-1022	1	HEX HD CAPSCREW, 5/16-18X1-1/2, GR5	33	7713-3140	1	COVER PLATE
16	8856-1108	1	FLAT WASHER, 5/16	34	7713-3177	1	HEX HD CAPSCREW, 5/16-18X1-3/8
				35	9108-3136	1	BUSHING
				36	9020-0638	1	KNOB



Item	Part No.	Qty.	Description Of Part
	9148-5021	1	FOAM FILLED TIRE ASSEMBLY, (includes items 1 thru 3)
	9148-5022	1	FOAM FILLED TIRE ASSEMBLY, (includes items 4 thru 7)
1	9139-5006	4	FOAM FILLED TIRE ASSY
2	9139-3007	4	TIRE DECAL
3	9148-3048	1	524D LO-PRO S/N & ATTACHMENT PLATE
4	9148-3052	1	524D LO-PRO S/N & ATTACHMENT PLATE
5	9112-3160	4	TIRE DECAL
6	9103-5247	2	FOAM FILLED TIRE ASSY, R.H.
7	9103-5248	2	FOAM FILLED TIRE ASSY, L.H.

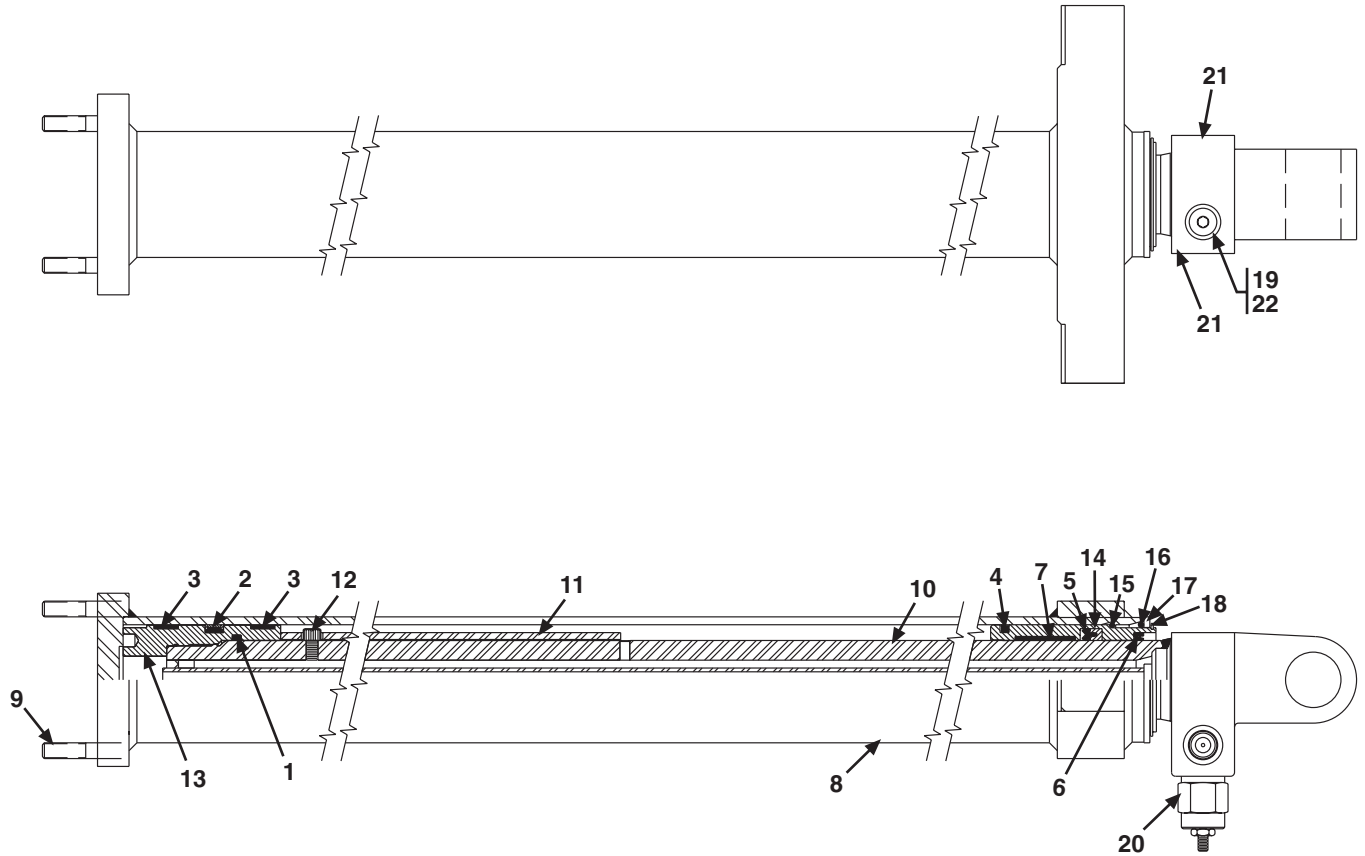


Item	Part No.	Qty.	Description Of Part
	9148-5012	1	L.H. TILT ASSEMBLY, (includes all items)
	9134-5010	1	REMOTE VALVE CONTROL ASSEMBLY, (includes items 1 thru 5)
1	9130-3019	1	REMOTE VALVE CONTROL LEVER BRACKET
2	9136-6007	1	CONTROL CABLE
3	9136-3043	1	HEX HD CAPSCREW, 1/4-20X2-3/4, GR5
4	8820-1012	3	HEX LOCKNUT, 1/4-20
5	8852-1304	3	CABLE ADAPTER BONNET
6	9112-3062	1	SOCKET HD CAPSCREW, 1/4-20X1-1/2, GR8
7	8821-1044	2	TILT GUIDE PLATE
8	9136-3040	1	

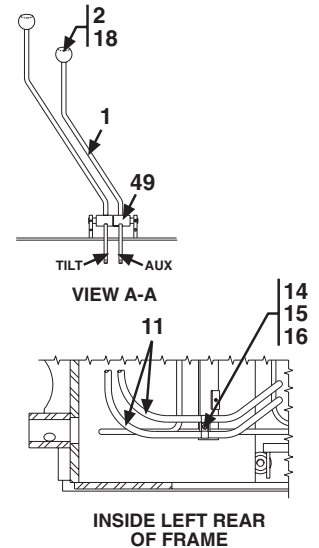
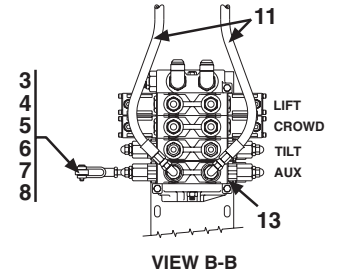
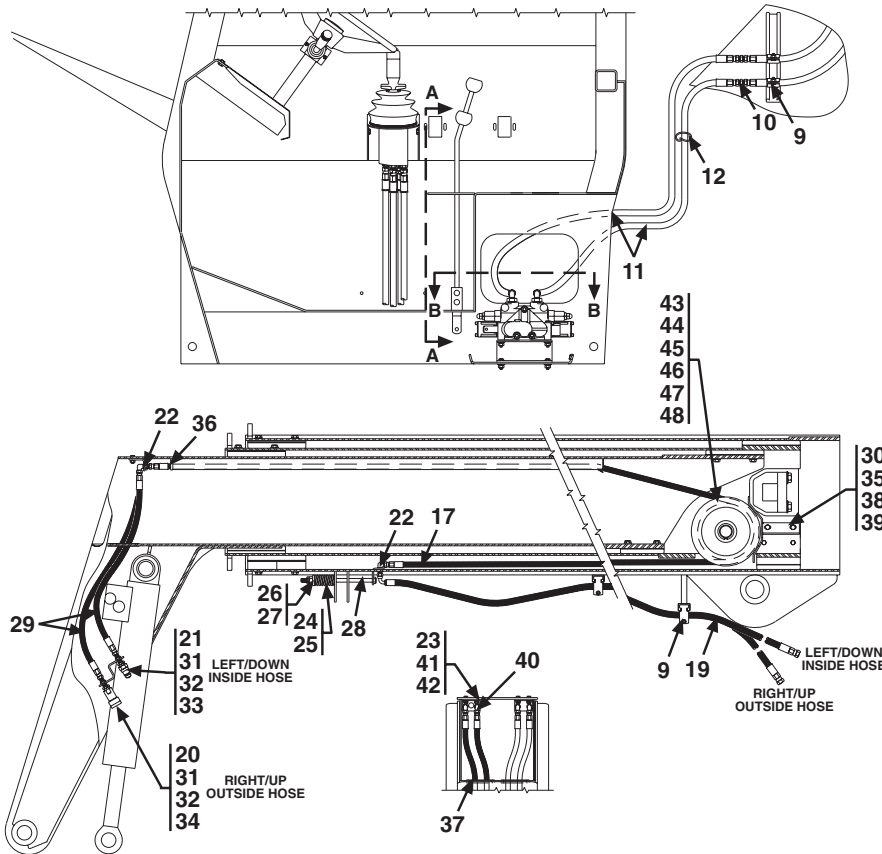


Item	Part No.	Qty.	Description Of Part	Item	Part No.	Qty.	Description Of Part
	9148-5020	1	3 SECTION BOOM ASSY	30	9112-3022	2	ADAPTER, (includes item 31)
1	9108-6140	1	BOOM WELDMENT, (first section)	31	8859-1205	2	O-RING
2	9108-6141	1	BOOM WELDMENT, (second section)	32	9108-3298	2	BUSHING
3	9108-6142	1	BOOM WELDMENT, (third section)	33	9112-1023	2	SHIM, (.0598)
4	9112-3019	6	BEARING PAD, 5/8X6	34	9112-1024	2	SHIM, (.0359)
5	9112-1122	1	GUIDE BAR	35	8320-1039	4	HEX HD CAPSCREW, 3/4-10X2-1/2, GR8
6	9105-3426	1	CONNECTOR, (includes item 103)	36	9002-7473	15	HARDENED WASHER, 3/4
7	8820-1535	8	HEX HD CAPSCREW, 3/8-24X1-1/4, GR5	37	8850-1012	10	HEX NUT, 3/4-10
8	8856-1109	42	FLAT WASHER, 3/8	38	9112-1066	2	CROWD CYLINDER RETAINER
9	8820-1536	AR	HEX HD CAPSCREW, 3/8-24X1-1/2, GR5	39	8320-1017	4	HEX HD CAPSCREW, 3/4-10X2-3/4, GR8
10	8820-1538	4	HEX HD CAPSCREW, 3/8-24X2, GR5	40	9112-6010	1	CROWD CYLINDER MOUNTING BRACKET
11	8866-2105	1	ELBOW, 90 DEGREE, (swivel nut)	41	9138-5016	1	CROWD CYLINDER, (see page 13-18 for details)
12	9108-3297	4	BEARING PAD, 1/2X8	42	9103-3186	8	BEARING PAD, 1/2X6
13	9108-1447	4	SPACER, (.132 thick)	43	9103-1236	10	SPACER, (.06)
14	9112-1081	6	SHIM, (.06 thick)	44	9020-5870	24	SHIM, (.06)
15	8820-1565	6	HEX HD CAPSCREW, 1/2-20X1-1/4, GR5	45	9105-3450	1	FITTING, (includes item 103)
16	9002-7471	21	HARDENED FLAT WASHER, 1/2	46	8820-1532	22	HEX HD CAPSCREW, 3/8-24X3/4, GR5
17	8820-1566	AR	HEX HD CAPSCREW, 1/2-20X1-1/2, GR5	47	8850-1006	2	HEX NUT, 3/8-16
18	8820-1563	AR	HEX HD CAPSCREW, 1/2-20X7/8, GR5	48	9112-3136	2	BRASS HEX HD CAPSCREW, 3/8-16X1
19	8820-1564	AR	HEX HD CAPSCREW, 1/2-20X1, GR5	49	9138-3039	8	CUSHION CLAMP
20	9112-3018	2	SPRING	50	8320-1038	4	HEX HD CAPSCREW, 3/4-10X2-1/4, GR8
21	9108-3431	2	EXTENSION CABLE, 1/2	51	8871-2011	1	STREET ELBOW, 90 DEGREE, 1/8
22	9112-1080	1	EXTENSION CABLE PIN	52	7713-3893	2	STAUFF CLAMP SET
23	8858-1310	2	RETAINING RING EXTERNAL	53	7713-3052	2	STAUFF COVER PLATE
24	9112-1079	2	SPECIAL WASHER, 7/8	54	7713-3209	4	HEX HD CAPSCREW, 1/4-20X1-3/8
25	8850-1314	4	HEX NUT, 7/8-14	55	8867-1001	4	LUBE FITTING, STRAIGHT, 1/8
26	8471-9651	2	HOSE ASSEMBLY	56	9108-1326	1	HOSE REEL SUPPORT
27	9112-1041	1	CROWD CYLINDER PIN	57	9020-3040	1	THRUST WASHER
28	8858-1320	3	RETAINING RING EXTERNAL	58	9112-3016	1	HOSE SHEAVE
29	8656-1308	2	ADAPTER	59	8320-1123	3	HEX HD CAPSCREW, 1/2-13X1, GR8

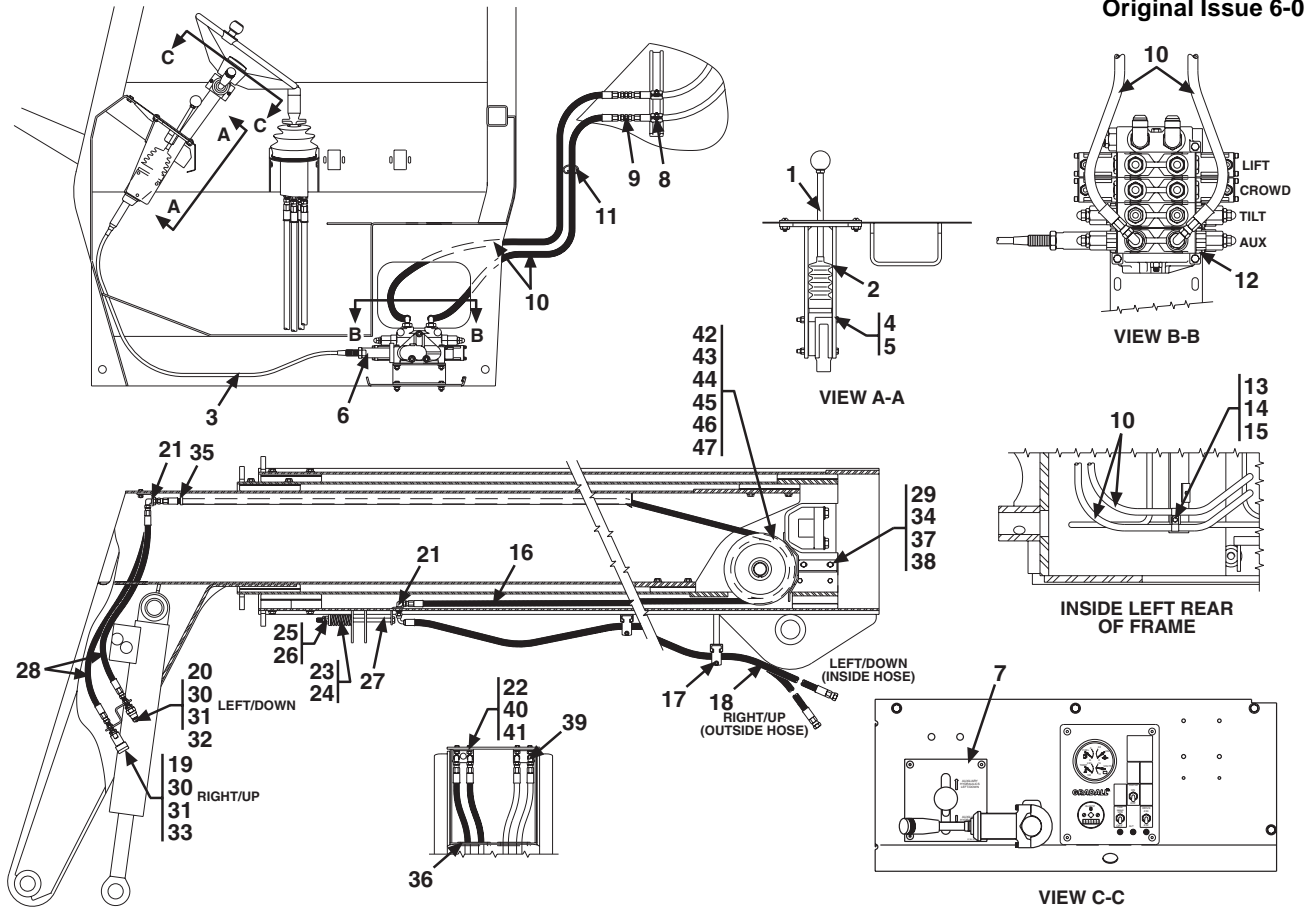
Item	Part No.	Qty.	Description Of Part	Item	Part No.	Qty.	Description Of Part
60	9112-1197	1	RETRACT SHEAVE PIN	94	9112-5030	2	EXTEND SHEAVE ASSEMBLY, (includes item 124 and 1 of 123)
61	9104-1451	5	THRUST WASHER	95	9112-1045	2	RETAINER ROLLER
62	9112-5031	1	RET. SHEAVE ASSEMBLY, (includes item 122 and 1 of 123)	96	8320-1073	1	HEX HD CAPSCREW, 3/8-16X4-1/2, GR8
63	9112-1056	2	RETAINER ROLLER	97	9108-3432	1	RETRACTION CABLE, (includes item 118)
64	8820-1043	2	HEX HD CAPSCREW, 3/8-16X3, GR5	98	7208-8049	20"	NYLON TUBING, 1/4
65	8852-1306	3	HEX LOCKNUT, 3/8-16	99	9108-1087	1	CABLE ADJUSTMENT BLOCK
66	8664-1158	2	PINKEEPER	100	8320-1026	4	HEX HD CAPSCREW, 1/2-13X1-1/2, GR8
67	8820-1034	8	HEX HD CAPSCREW, 3/8-16X7/8, GR5	101	9103-3185	2	BEARING PAD, 3/4X6
68	8855-1011	8	LOCKWASHER, 3/8	102	8855-1013	1	LOCKWASHER, 1/2
69	9108-3513	1	TILT CYLINDER	103	8859-1207	2	O-RING
70	9114-6052	1	PIN WELDMENT	104	9112-1083	4	SPACER, (.06)
71	8820-1065	1	HEX HD CAPSCREW, 1/2-13X1, GR5	105	9112-1082	8	SHIM, (.06)
72	8362-1283	1	SPECIAL WASHER	106	9112-3021	2	BEARING PAD, 1/2X6
73	8820-1608	2	HEX HD CAPSCREW, 3/4-16X1-1/2, GR5	107	9108-3063	4	BEARING PAD, 5/8X8
74	9112-1022	1	BEARING PLATE	108	9103-3187	1	BEARING PAD, 5/8X3-1/4
75	9112-6008	2	HOSE TAKE-UP WELD	109	8820-1534	4	HEX HD CAPSCREW, 3/8-24X1, GR5
76	9112-3054	2	COMPRESSION SPRING	110	8820-1562	6	HEX HD CAPSCREW, 1/2-20X3/4, GR5
77	9112-1134	2	SPRING RETAINER	111	8820-1568	4	HEX HD CAPSCREW, 1/2-20X2, GR5
78	8850-1008	2	HEX NUT, 1/2-13	112	9108-1172	4	SPACER, (.132)
79	8850-1108	2	HEAVY HEX JAM NUT, 1/2-13	113	8820-1046	1	HEX HD CAPSCREW, 3/8-16X3-3/4, GR5
80	8471-8280	2	HOSE ASSEMBLY	114	9112-6071	1	HOSE GUARD
81	8471-8281	2	HOSE ASSEMBLY	115	8856-1111	4	FLAT WASHER, 1/2
82	8471-7896	2	HOSE ASSEMBLY	116	9112-1157	2	SHIM, (.134)
83	9020-6199	13"	TRIM-LOCK	117	9108-1171	2	SHIM
84	9020-6194	3.5"	TRIM-LOCK	118	8863-1337	1	COTTER PIN, 3/16X1-1/2
85	9103-3445	1	LUBE FITTING	119	8867-1002	2	LUBE FITTING, STRAIGHT, 1/8
86	9002-7179	4	BULKHEAD FITTING, 90 DEGREE	120	8688-1276	2	TUBE FITTING, 90 DEGREE
87	9112-1125	1	BULKHEAD BRACKET	121	8688-1273	2	STRAIGHT TUBE FITTING
88	8820-1020	2	HEX HD CAPSCREW, 5/16-18X1, GR5	122	9112-1031	1	RET. CABLE SHEAVE
89	8855-1010	2	LOCKWASHER, 5/16	123	9112-3102	2	BUSHING
90	8850-1005	2	HEX NUT, 5/16-18	124	9112-1032	1	EXTEND CABLE SHEAVE
91	9112-6009	1	EXTEND CABLE BRACKET				
92	8852-1208	4	HEX LOCKNUT, 1/2-13				
93	9112-1196	1	EXTEND CABLE PIN				



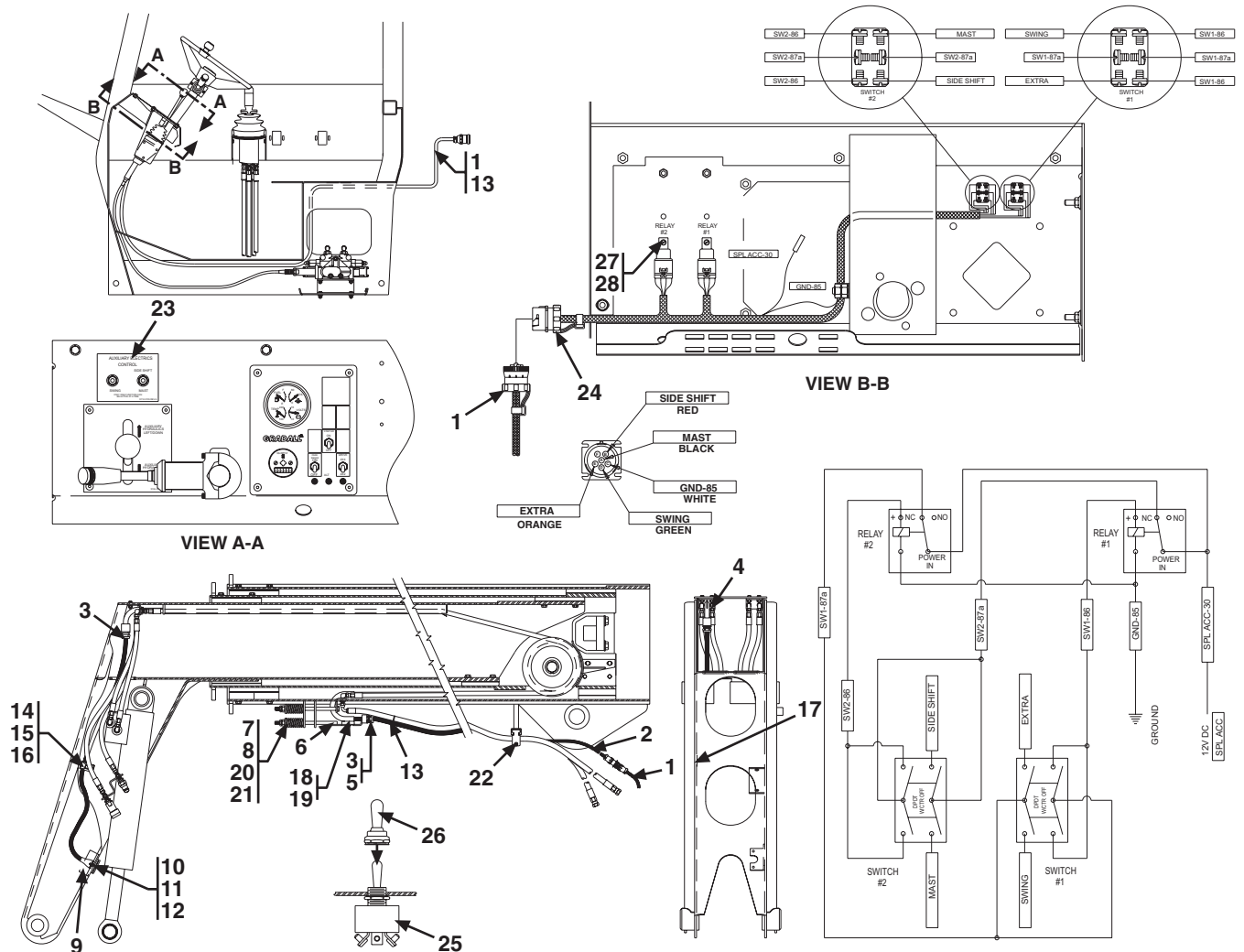
Item	Part No.	Qty.	Description Of Part
	9138-5016	1	CROWDCYLINDER ASSY, (3 section boom), (includes all items)
	9133-3029	1	PACKING KIT, (includes items 1 thru 7)
1	8859-1036	1	O-RING
2	9112-3081	1	PISTON SEAL
3	9112-3082	2	PISTON WEAR RING
4	9112-3137	1	STATIC-SEAL
5	8000-3082	1	ROD SEAL
6	8000-3337	1	ROD WIPER
7	8000-3227	1	ROD BEARING
8	9108-6139	1	BODY WELDMENT
9	9112-1180	4	STUD
10	9108-6138	1	ROD WELDMENT
11	9112-1178	1	STOP LUBE
12	8821-1068	1	SOCKET HD CAPSCREW, 3/8-16X5/8, GR8, (hand torque to 40-45 ft.lbs.)
13	9112-1176	1	PISTON, (hand torque to 450-475 ft.lbs.)
14	9112-1307	1	CYLINDER HEAD
15	9112-3086	1	RETAINING RING
16	8000-3152	12"	NEOPRENE CORD
17	9112-1179	1	SNAP RING WASHER
18	9112-3085	1	SNAP RING
19	8866-2193	1	HEX HD PLUG, (includes item 22)
20	9112-3089	1	LOAD CONTROL VALVE
21	8000-3447	2	THREADED CAP PLUG
22	8859-1205	1	O-RING



Item	Part No.	Qty.	Description Of Part	Item	Part No.	Qty.	Description Of Part
	9148-5014	1	R.H. AUXILIARY HYDRAULIC ASSEMBLY, (3 section boom), (includes all items)	23	8855-1010	2	LOCKWASHER, 5/16
	9138-5008	1	LEVER ASSY, (includes items 1, 18 & 49)	24	9112-3054	2	COMPRESSION SPRING
1	9138-6006	1	AUXILIARY LEVER WELDMENT	25	9112-1134	2	SPRING RETAINER
2	9108-3547	1	AUXILIARY DECAL	26	8850-1008	2	HEX NUT, 1/2-13
3	8882-1004	1	ADJUSTABLE YOKE END	27	8850-1108	2	HEAVY HEX JAM NUT, 1/2-13
4	9002-7987	1	SPRING CLEVIS	28	9112-6008	2	HOSE TAKE-UP WELDMENT
5	8850-1406	1	HEX JAM NUT, 3/8-24	29	8471-8041	2	HOSE ASSEMBLY
6	9108-6081	1	ROD LINKAGE	30	9112-6080	1	HOSE GUARD
7	9002-1552	1	CLEVIS PIN	31	9112-3061	2	BULKHEAD FITTING
8	8863-1301	1	COTTER PIN, 1/16X1/2	32	8871-2305	2	REDUCING BUSHING, 1/2X1/4
9	9138-3039	10	CUSHION CLAMP	33	9020-4244	1	MALE HYDRAULIC COUPLER
10	8866-1065	2	UNION, 1/2 TUBE	34	9020-4245	1	FEMALE HYDRAULIC COUPLER
11	8471-8026	2	HOSE ASSY	35	8820-1034	2	HEX HD CAPSCREW, 3/8-16X7/8, GR5
12	9002-7187	10	TIE WRAP	36	9020-6194	3.5"	TRIM-LOCK
13		Ref	MAIN CONTROL VALVE, (see page 13-11 for details)	37	9020-6199	13"	TRIM-LOCK
14	9104-3147	2	SUPPORT CLAMP	38	8855-1011	2	LOCKWASHER, 5/16
15	8820-1022	1	HEX HD CAPSCREW, 5/16-18X1-1/2, GR5	39	8856-1109	2	FLAT WASHER, 3/8
16	8856-1108	1	FLAT WASHER, 5/16	40	9112-1125	1	BULKHEAD BRACKET
17	8471-8281	2	HOSE ASSEMBLY	41	8820-1019	2	HEX HD CAPSCREW, 5/16-18X7/8, GR5
18	9020-0638	1	KNOB	42	8850-1005	2	HEX NUT, 5/16-18
19	8471-8280	2	HOSE ASSEMBLY	43	9112-3016	1	AUX SHEAVE HOSE
20	9104-3125	1	DUST PLUG	44	9108-1326	1	HOSE REEL SUPPORT
21	9104-3126	1	DUST CAP	45	9020-3040	1	THRUST WASHER
22	9002-7179	4	ADAPTER, 90 DEGREE, BULKHEAD	46	8858-1320	1	RETAINING RING EXTERNAL
				47	8320-1123	3	HEX HD CAPSCREW, 1/2-13X1, (torque to 68-78 ft.lbs.)
				48	9002-7471	3	HARDENED FLAT WASHER, 1/2
				49	9108-3136	1	BUSHING

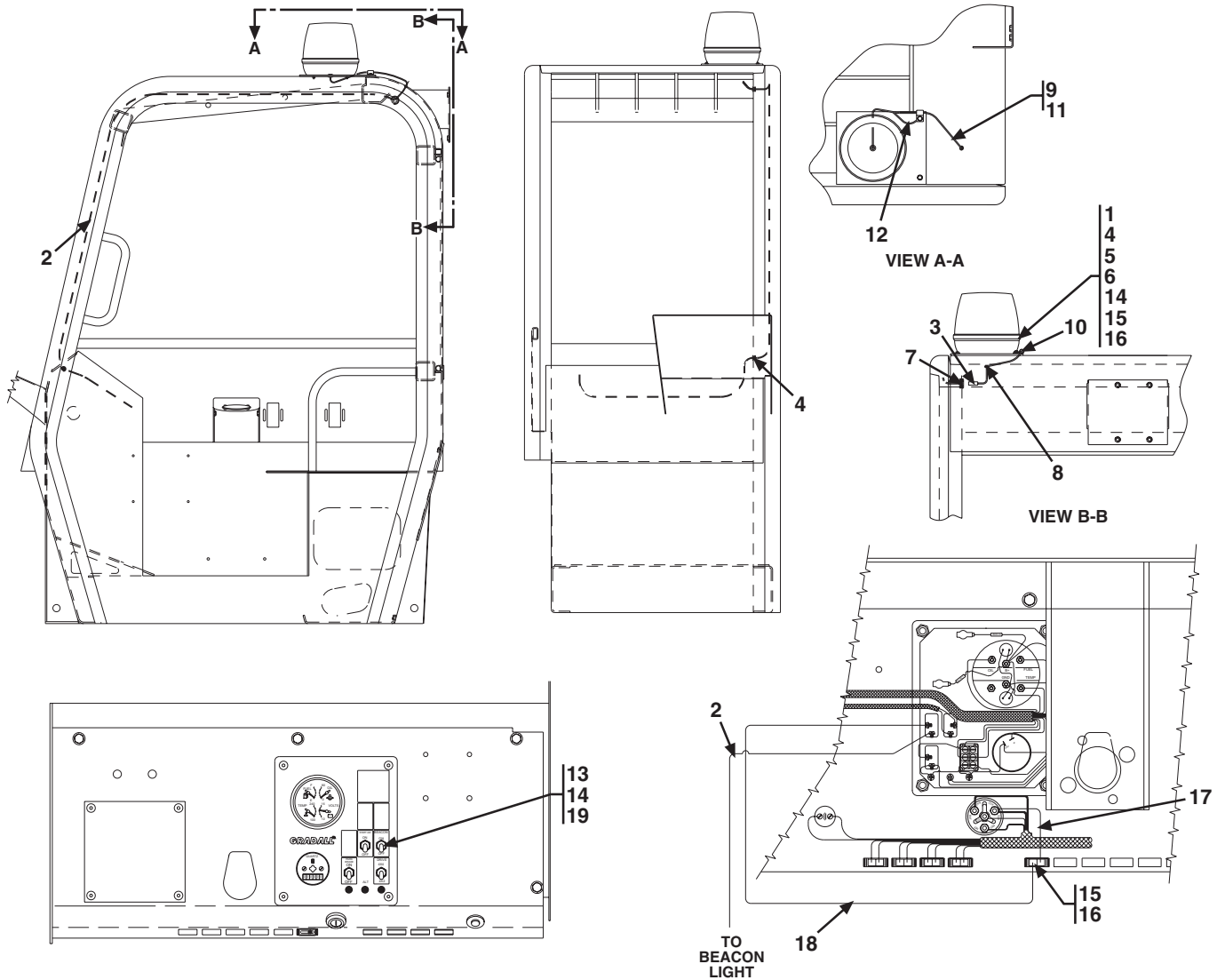


Item	Part No.	Qty.	Description Of Part	Item	Part No.	Qty.	Description Of Part
	9148-5009	1	AUX. HYDRAULICS ASSEMBLY, (3 section boom), (includes all items)	23	9112-3054	2	COMPRESSION SPRING
	9134-5010	1	REMOTE VALVE CONTROL ASSEMBLY, (includes items 1 thru 5)	24	9112-1134	2	SPRING RETAINER
1	9130-3019	1	REMOTE VALVE CONTROL LEVER BRACKET	25	8850-1008	2	HEX NUT, 1/2-13
2	9136-6007	1	CONTROL CABLE	26	8850-1108	2	HEAVY HEX JAM NUT, 1/2-13
3	9136-3043	1	HEX HD CAPSCREW, 1/4-20X2-3/4, GR5	27	9112-6008	2	HOSE TAKE UP WELD
4	8820-1012	3	HEX LOCKNUT, 1/4-20	28	8471-8041	2	HOSE ASSEMBLY
5	8852-1304	3	CABLE ADAPTER BONNET	29	9112-6080	1	HOSE GUARD
6	9112-3062	1	GUIDE PLATE	30	9112-3061	2	BULKHEAD FITTING
7	9136-3045	1	CUSHION CLAMP, 3/4	31	8871-2305	2	REDUCING BUSHING, 1/2X1/4
8	9020-7463	2	UNION, 1/2 TUBE	32	9020-4244	1	MALE HYDRAULIC COUPLER
9	8866-1065	2	HOSE ASSEMBLY	33	9020-4245	1	FEMALE HYDRAULIC COUPLER
10	8471-8026	2	TIE WRAP	34	8820-1034	2	HEX HD CAPSCREW, 3/8-16X7/8, GR5
11	9002-7187	10	CONTROL VALVE ASSEMBLY, (see page 13-11 for details)	35	9020-6194	3.5"	TRIM-LOCK, (sold in 25' lengths)
12		Ref		36	9020-6199	13"	TRIM-LOCK, (sold in 25' lengths)
13	9104-3147	2	SUPPORT CLAMP	37	8855-1011	2	LOCKWASHER, 3/8
14	8820-1022	1	HEX HD CAPSCREW, 5/16-18X1-1/2, GR5	38	8856-1109	2	FLAT WASHER, 3/8
15	8856-1108	1	FLAT WASHER, 5/16	39	9112-1125	1	BULKHEAD BRACKET
16	8471-8281	2	HOSE ASSEMBLY	40	8820-1019	2	HEX HD CAPSCREW, 5/16-18X7/8, GR5
17	9138-3039	8	CUSHION CLAMP	41	8850-1005	2	HEX NUT, 5/16-18
18	8471-8280	2	HOSE ASSEMBLY	42	9112-3016	1	AUXILIARY HOSE SHEAVE
19	9104-3125	1	DUST PLUG	43	9108-1326	1	HOSE REEL SUPPORT
20	9104-3126	1	DUST CAP	44	9020-3040	1	THRUST WASHER
21	9002-7179	4	ELBOW, 90 DEGREE	45	8858-1320	1	RETAINING RING EXT.
22	8855-1010	2	LOCKWASHER, 5/16	46	8320-1123	3	HEX HD CAPSCREW, 1/2-13X1, (torque to 68-78 ft.lbs.)
				47	9002-7471	3	HARDENED FLAT WASHER, 1/2

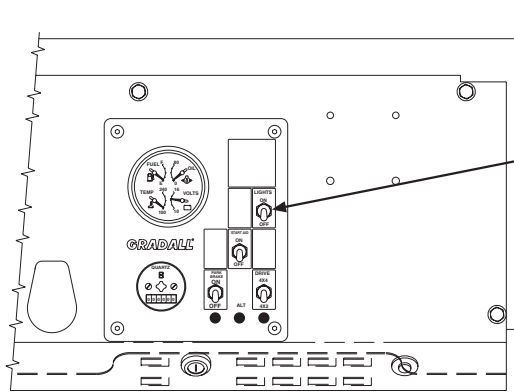


Item	Part No.	Qty.	Description Of Part
	9108-5128	1	AUX. ELECTRONICS ASSEMBLY, (3 section boom), (includes all items)
1	9114-3105	1	AUX FRAME HARNESS
2	9108-3551	1	AUX BOOM HARNESS
3	9112-3055	2	STRAIN RELIEF FITTING
4	9112-6029	1	HOSE & CABLE SUPPORT
5	9112-6031	1	CABLE TAKE-UP WELDMENT
6	9112-6032	1	CABLE TAKE-UP SUPPORT
7	9112-3054	1	COMPRESSION SPRING
8	9112-1134	1	SPRING RETAINER
9	9112-1283	1	RECEPTICAL BRACKET
10	9020-7661	1	6 CONTACT SOCKET
11	8820-1005	2	HEX HD CAPSCREW, 1/4-20X1, GR5
12	8852-1304	2	HEX LOCKNUT, 1/4-20
13	9002-7187	22	NYLON TIE

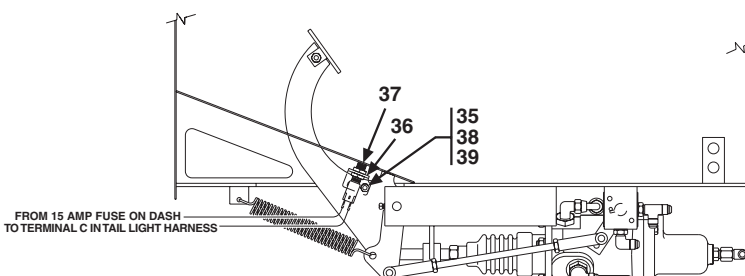
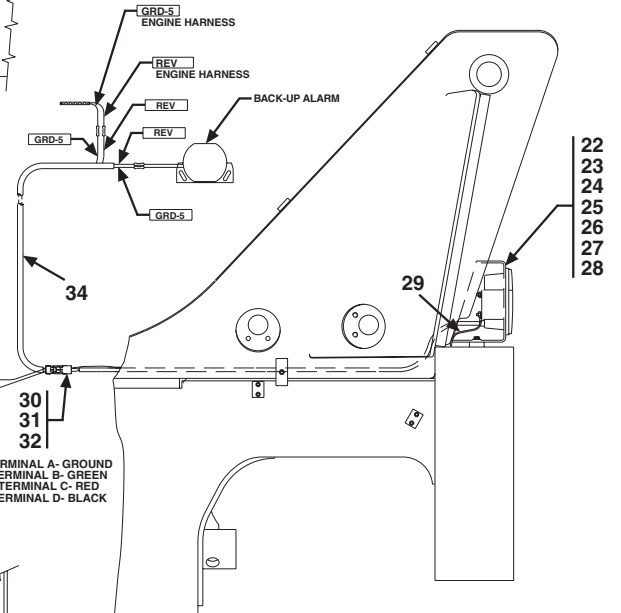
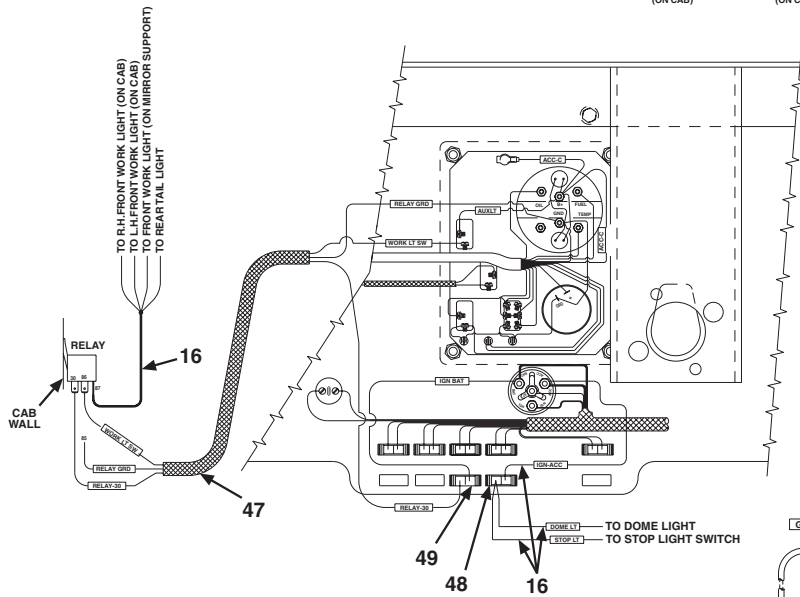
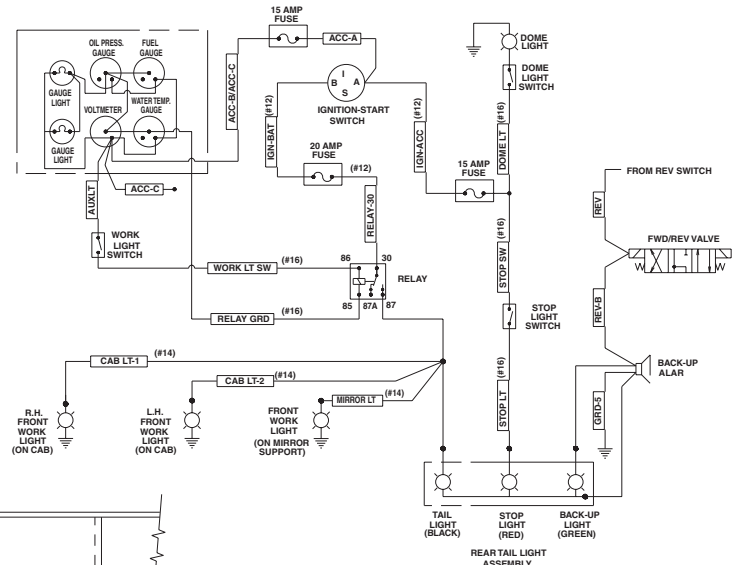
Item	Part No.	Qty.	Description Of Part
14	7713-3168	1	CLAMP SET
15	7713-3140	1	COVER PLATE
16	7713-3177	1	HEX BOLT
17	7713-3141	1	BASE PLATE
18	8820-1017	2	HEX HD CAPSCREW, 5/16-18X5/8, GR5
19	8855-1010	2	LOCKWASHER, 5/16
20	8850-1008	1	HEX NUT, 1/2-13
21	8850-1108	1	HEAVY HEX JAM NUT, 1/2-13
22	9108-3216	1	CUSHION CLAMP
23	9112-3155	1	DECAL
24	9112-3154	1	AUX DASH HARNESS
25	7716-3204	2	SWITCH
26	7738-3470	2	SWITCH BOOT
27	8830-1088	2	RD HD MACH SCREW, #10-24X3/8
28	8856-1105	2	FLAT WASHER, #10



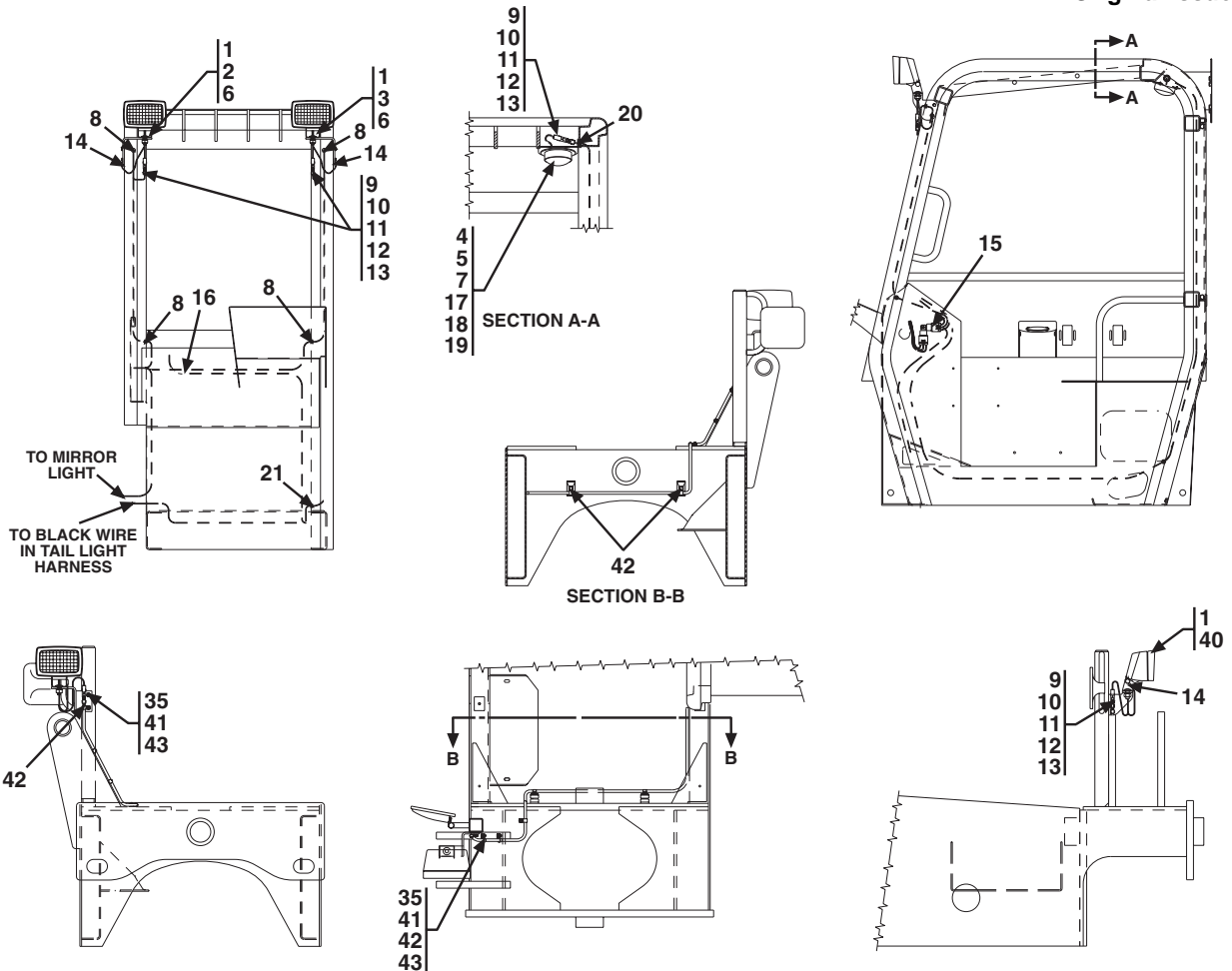
Item	Part No.	Qty.	Description Of Part
	9134-5013	1	BEACON LIGHT PACKAGE, (includes all items)
1	9134-3031	1	ROTATING BEACON
2	9112-1151	1	JUMPER WIRE
3	8668-3480	1	BUTT CONNECTOR
4	9002-7214	2	RUBBER GROMMET
5	9134-1012	1	BEACON BRACKET
6	9002-7319	2	DRILL & TAP SCREW, 1/4-20X1
7	9103-3380	1	RUBBER GROMMET
8	9002-9955	1	RUBBER GROMMET
9	8203-3996	12"	WIRE LOOM
10	9002-1705	1	SUPPORT CLAMP
11	9105-3419	2	TIEWRAP
12	9134-1013	1	JUMPER WIRE
13	7738-3467	1	SPST TOGGLE SWITCH
14	7738-3470	1	BOOT
15	9114-3108	1	FUSE HOLDER
16	7736-3267	1	FUSE, 10 AMP
17	9114-1259	1	JUMPER WIRE
18	9112-1216	1	JUMPER WIRE
19	9112-3177	1	BEACON DECAL



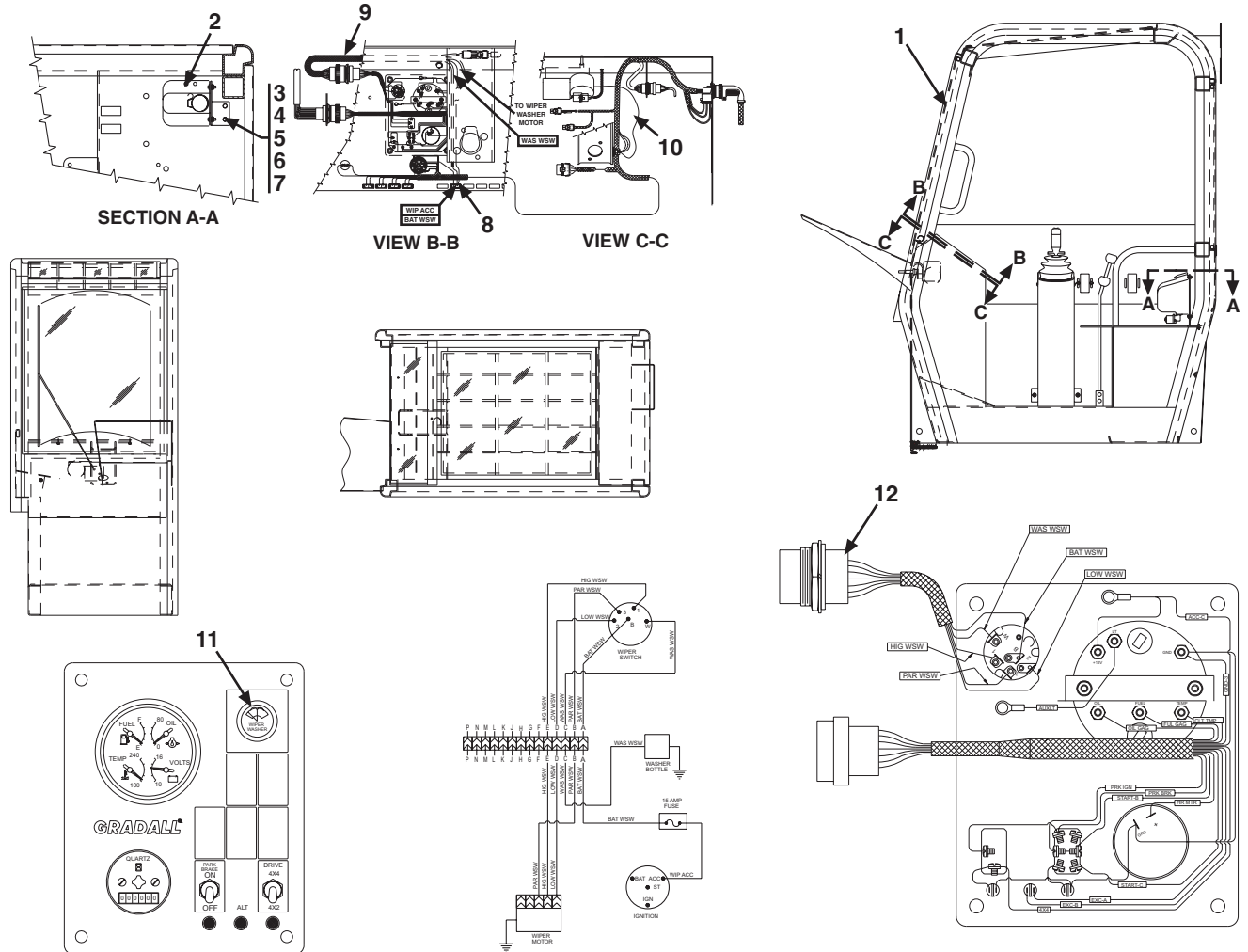
ELECTRICAL SCHEMATIC



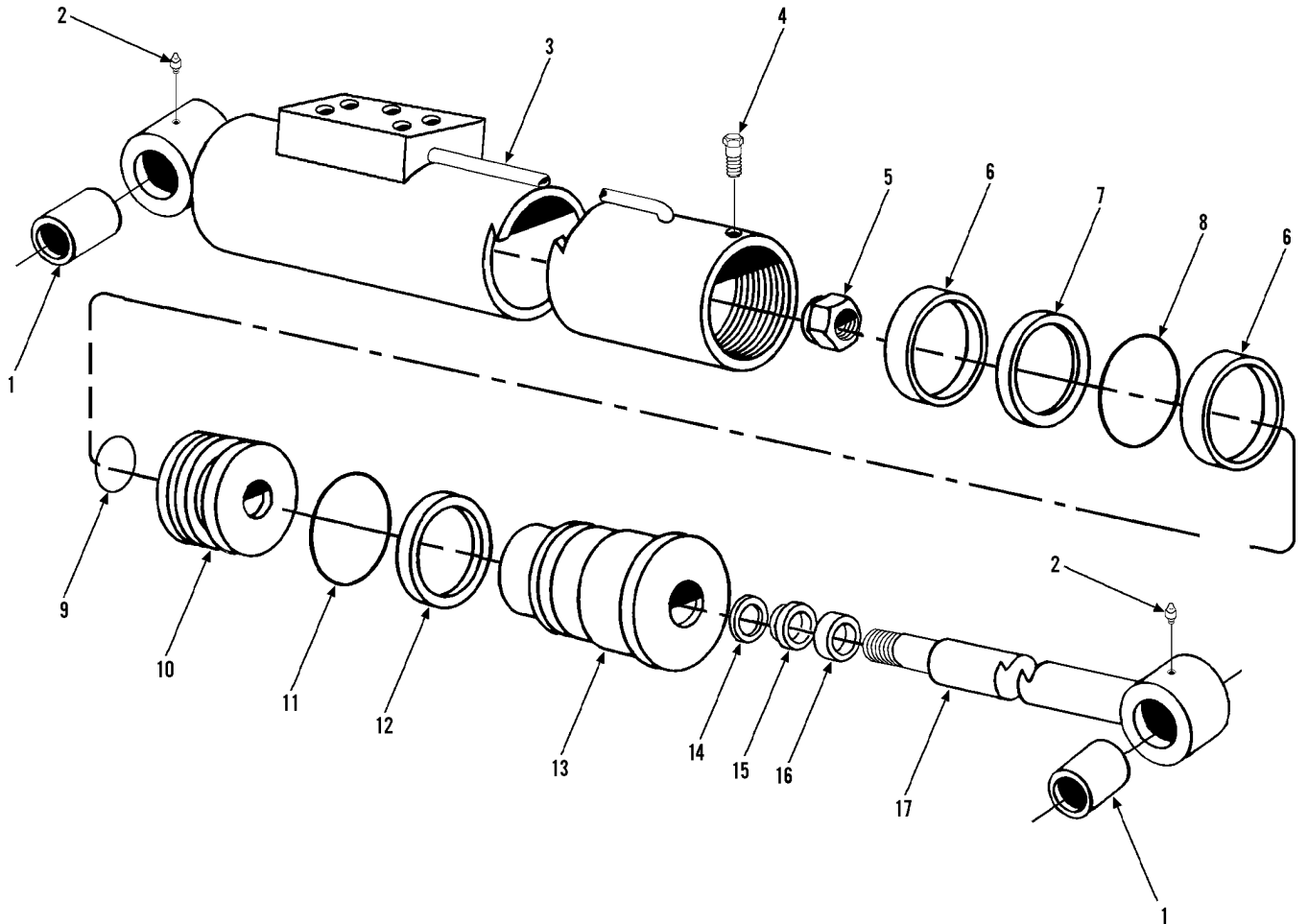
STOPLIGHT SWITCH MOUNTING ON BRAKE PEDAL



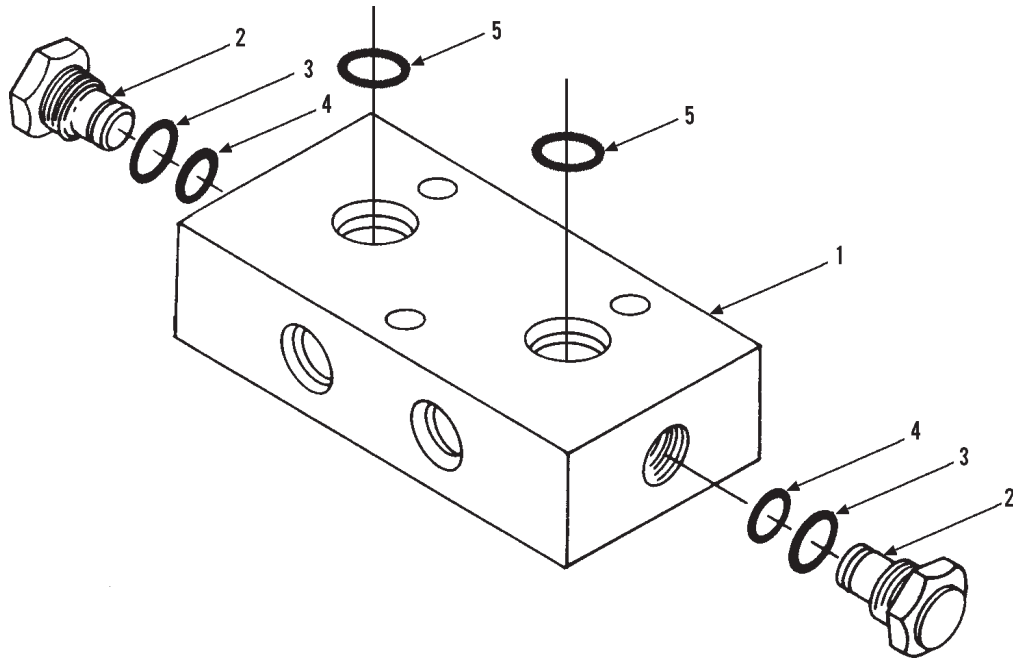
Item	Part No.	Qty.	Description Of Part	Item	Part No.	Qty.	Description Of Part
	9138-5004	1	WORK LIGHT PACKAGE, (includes all items)	26	8820-1018	2	HEX HD CAPSCREW, 5/16-18X3/4, GR5
1	8096-3050	3	UTILITY FLOOD LIGHT	27	8856-1108	2	FLAT WASHER, 5/16
2	9136-1001	1	RH LIGHT SUPPORT	28	8855-1010	2	LOCKWASHER, 5/16
3	9136-1002	1	LH LIGHT SUPPORT	29	9114-1364	1	JUMPER WIRE
4	2486-1167	1	INTERIOR LIGHT	30	8096-3062	1	WEATHER PACK, SHROUD
5	9136-1003	1	MOUNTING BRACKET	31	8096-3069	4	MALE PIN TERMINAL
6	9002-7319	2	DRILL & TAP SCREW, 1/4-20X1	32	8096-3066	4	CABLE SEAL
7	8832-1022	2	SELF TAPPING SCREW, #8-32X3/8	33	8203-3996	258"	FLEX LOOM, (use on all wires, not shown)
8	9002-7214	4	RUBBER GROMMET	34	9136-3087	1	TAIL LIGHT HARNESS
9	8096-3055	4	WEATHER PACK, TOWER	35	8855-1009	6	LOCKWASHER, 1/4
10	8096-3056	4	WEATHER PACK, SHROUD	36	9114-1512	1	TAB
11	8096-3068	4	FEMALE PIN TERMINAL	37	9114-3117	1	STOPLIGHT SWITCH
12	8096-3069	4	MALE PIN TERMINAL	38	8820-1002	1	HEX HD CAPSCREW, 1/4-20X5/8, GR5
13	8096-3066	8	CABLE SEAL	39	8856-1107	1	FLAT WASHER, 1/4
14	8688-3260	3	SCREW EYELET, 3/8	40	9136-1004	1	LIGHT SUPPORT
15	7738-3410	1	RELAY	41	8366-1336	5	WELD STUD, 1/4-20X5/8
16	9136-3008	1	LIGHT HARNESS	42	8662-1230	6	SUPPORT CLAMP
17	9002-9955	1	RUBBER GROMMET	43	8850-1004	5	HEX NUT, 1/4-20
18	8998-1036	3	PAN HEAD SCREW, #8-32X3/8	44	7738-3467	1	TOGGLE SWITCH, SPST
19	8850-1610	3	HEX NUT, 1-8	45	7738-3470	1	BOOT
20	9103-3380	1	RUBBER GROMMET	46	9136-3009	1	LIGHTS ON/OFF DECAL
21	9103-3425	1	RUBBER GROMMET	47	9136-3073	1	WORK LIGHT DASH HARNESS
22	9020-7220	1	MOUNTING BAR	48	7736-3268	1	FUSE, 15 AMP
23	9112-1145	1	TAIL LIGHT BRACKET	49	7736-3302	1	FUSE, 20 AMP
24	9112-1146	1	TAIL LIGHT HOUSING				
25	9136-5045	1	TAIL LIGHT ASSEMBLY				



Item	Part No.	Qty.	Description Of Part
	9137-5005	1	WINDSHIELD/TOP WINDOW KIT INSTALLATION, (includes all items)
1	9137-3011	1	WINDSHIELD/TOP WINDOW KIT
2	9002-9955	1	RUBBER GROMMET
3	8368-3085	1	WASHER BOTTLE ASSEMBLY
4	9114-6099	1	BOTTLE MOUNTING BRACKET
5	8820-1003	6	HEX HD CAPSCREW, 1/4-20X3/4, GR5
6	8856-1009	6	FLAT WASHER, 3/4
7	8850-1004	6	HEX NUT, 1/4-20
8	7736-3268	1	15 AMP FUSE
9	9114-3335	1	WIPER-HEATER OPTION HARNESS
10	9136-1018	1	JUMPER WIRE
11	8096-3101	1	WIPER & WASHER SWITCH
12	9114-3333	1	WIPER-WASHER-HEATER HARNESS



Item	Part No.	Qty.	Description Of Part	Item	Part No.	Qty.	Description Of Part
	9108-3471	1	SLOPE PILER CARRIAGE SWAY CYLINDER ASSY, (includes all items)	7		1	PISTON SEAL
	9108-4308	1	SEAL KIT, (includes items 6 thru 9, 11, 12 & 14 thru 16)	8		1	O-RING
* 1	9140-4352	2	BUSHING	9		1	O-RING
2	9114-4128	2	GREASE FITTING	10	9112-4084	1	PISTON
3	9112-4083	1	CASE ASSY	11		1	O-RING
4	9114-4017	1	CAPSCREW, #8X32X.375	12		1	BACK-UP RING
5	9103-4156	1	LOCKNUT, (lubricate & torque to 350-400 ft.lbs.)	13	9112-4085	1	CYLINDER HEAD
6		2	WEAR RING	14		1	STEP SEAL
				15		1	U-CUP
				16		1	WIPER
				17	9112-4086	1	ROD ASSY



Item	Part No.	Qty.	Description Of Part
	9108-3262	1	DUAL P.O. CHECK VALVE ASSY, (includes all items)
	9104-4002	Ref	SEAL KIT, (includes items 3 & 4)
1		1	BODY
2	7713-3248	2	CHECK VALVE
3	9108-4227	2	O-RING
4	9108-4228	2	O-RING
5	8859-1009	2	O-RING

GRADALL®



JLG Industries, Inc.
1 JLG Drive
McConnellsburg PA. 17233-9533
USA
Phone: (717) 485-5161
Customer Support Toll Free: (877) 554-5438
Fax: (717) 485-6417

JLG Worldwide Locations

JLG Industries (Australia)
P.O. Box 5119
11 Bolwarra Road
Port Macquarie
N.S.W. 2444
Australia
Phone: (61) 265 811 111
Fax: (61) 265 810 122

JLG Latino Americana Ltda.
Rua Eng. Carlos Stevenson,
80-Suite 71
13092-310 Campinas-SP
Brazil
Phone: (55) 193 295 0407
Fax: (55) 193 295 1025

JLG Industries (UK)
Unit 4 & 5
Bentley Avenue
M24 2GP Middleton
Stockport
England
Phone: (44) 161 654 1000
Fax: (44) 161 654 1003

JLG EQS
Z.I. De Beaulieu
47400 FUILLET
France
Phone: (33) 553 848 584
Fax: (33) 553 848 588

JLG Deutschland GmbH
Max Planckstrasse 21
D-27721 Ritterhude/Ilhpohl
Bei Bremen
Germany
Phone: (49) 421 693 500
Fax: (49) 421 693 5035

JLG Equipment Services Ltd.
Rm 1107 Landmark North
39 Lung Sum Avenue
Sheung Shui N.T.
Hong Kong
Phone: (852) 2639 5783
Fax: (852) 2639 5797

JLG Industries (Italia)
Via Po. 22
20010 Pregnana Milanese - MI
Italy
Phone: (39) 029 359 5210
Fax: (39) 029 359 5845

JLG Europe B.V.
Polaris Avenue 63
2132 JH Hoofddorp
The Netherlands
Phone: (31) 235 655 665
Fax: (31) 235 572 493

JLG Polska
Ul. Krolewska
00-060 Warszawa
Poland
Phone: (48) 914 320 245
Fax: (48) 914 358 200

JLG Industries (Scotland)
Wright Business Centre
1 Lonmay Road
Queenslie, Glasgow G33 4EL
Scotland
Phone: (44) 141 781 6700
Fax: (44) 141 773 1907

Plataformas Elevadoras
JLG Iberica, S.L.
Trapadella, 2
P.I. Castellbisbal Sur
08755Castellbisbal, Barcelona
Spain
Phone: (34) 937 724 700
Fax: (34) 937 711 762

JLG Industries (Sweden)
Enkopingsvagen 150
Box 704
SE - 17527 Jarfalla
Sweden
Phone: (46) 850 659 500
Fax: (46) 850 659 534
